

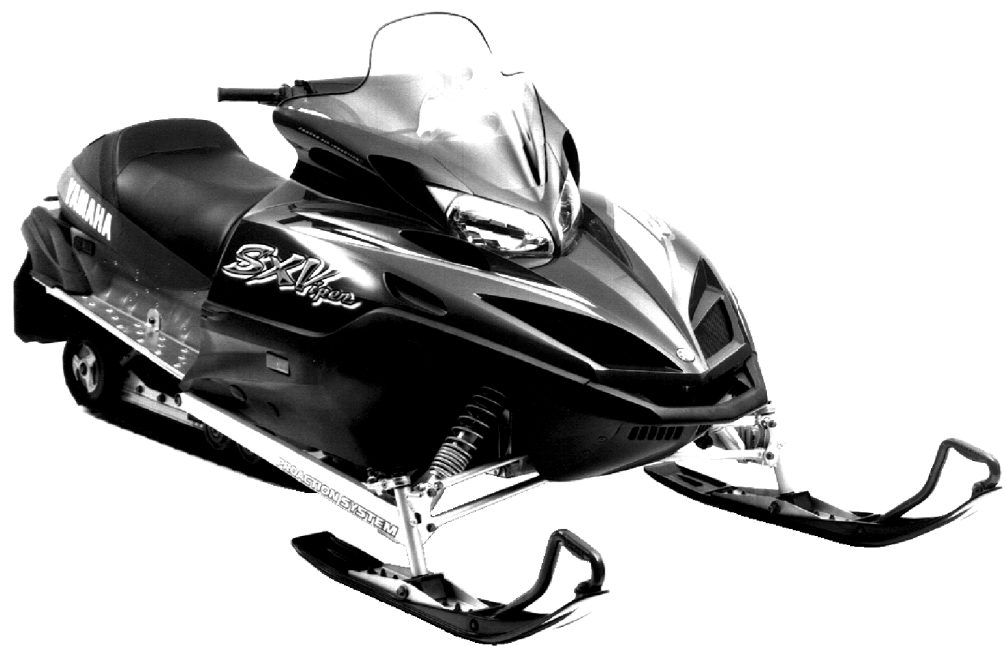
# PARTS CATALOGUE

<b>SXV70G</b>	<b>(8EK1)</b>	U.S.A., CANADA
<b>SXV70G</b>	<b>(8EK2)</b>	EUROPE, JAPAN

---

SXV70G  
PARTS CATALOGUE  
©2001 by Yamaha Motor Co., Ltd.  
1st Edition, June 2001  
All rights reserved.  
Any reprinting or unauthorized use  
without the written permission of  
Yamaha Motor Co., Ltd.  
is expressly prohibited.

**A3**



A4

# FOREWORD

This Parts Catalogue is related to the parts for the model(s) in the below frame. When you are ordering replacement parts, please refer to this Parts Catalogue and quote both part numbers and part names correctly.

SXV70G(8EK1/8EK2)

1. Modifications or additions which have been made after issue of the Parts Catalogue will be announced in the Yamaha Parts News.  
It is advisable that you make necessary corrections to the Parts Catalogue according to the Yamaha Parts News.

2. Abbreviations

The following abbreviations are used in this Parts Catalogue.

"UR" Use specified parts number.

"UN" Use as many as needed.

"AP" Alternate Parts

"LM" Local Made (Parts need to be ordered locally)

"F#" Frame No. (Applicable machine No.)

3. Parts, which are to be supplied in an assembly, are listed with a dot(.) in front of the part name as shown below.

EXAMPLE

CARBURETOR ASSY

.JET, PILOT

.NOZZLE, MAIN

4. Number of component for assembly

The numeral appearing to the right of each component part indicates the quantity of parts for each assembly unit.

EXAMPLE

PART NO.	DESCRIPTION	Q'TY	REMARKS
2F5-83310-60	FRONT FLASHER LIGHT ASSY	2	
115-83311-60	.BULB (6V-18W)	1	

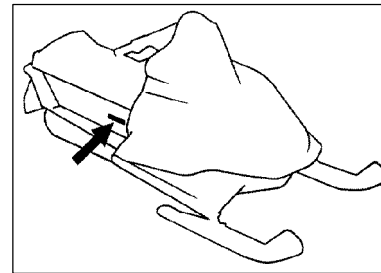
5. Applicable colors of graphics are represented in the "REMARKS" as shown below.

PART NO.	DESCRIPTION	Q'TY	REMARKS
2F5-83310-60	FRONT FLASHER LIGHT ASSY	2	
115-83311-60	.BULB (6V-18W)	1	

6. Applicable Starting Serial No. and Color Code

Starting Serial NO.:	JYE8EK0072A000780
Starting Serial NO.:	JYE8EK0002A003620

Frame Serial No.

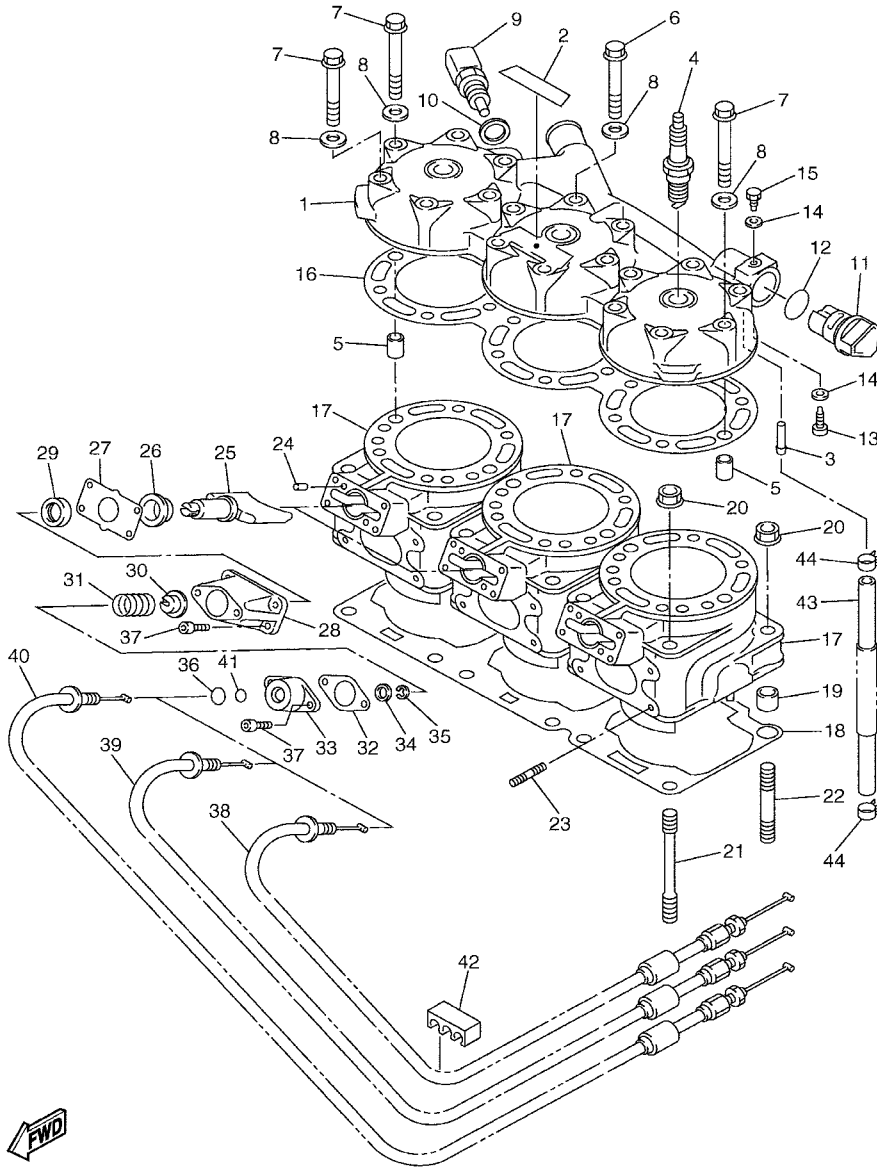


Color Code	MODEL	Color Name	Abbreviation	Country (destination)
0564	8EK1	DEEP PURPLISH BLUE METALLIC C	DPBMC	USA, CAN
0564	8EK2	DEEP PURPLISH BLUE METALLIC C	DPBMC	EUR, JPN

7. Note that the illustration for reference in funding parts numbers, not to be used for assembling. When assembling, please use the applicable service manual.

8. The asterisk (\*) before a reference number indicates modification items after the first edition.

FIG. 1 CYLINDER HEAD



REF. NO.	PART NO.	DESCRIPTION	8EK1	8EK2	REMARKS
1	8EK-11111-00	HEAD, CYLINDER 1	1	1	
2	8EK-1111K-00	EMBLEM	1	1	
3	26H-12584-00	JOINT, HOSE 3	1	1	
4	94702-00188	PLUG, SPARK (NGK BR9ES)	3	3	
	94709-00188	PLUG, SPARK (NGK BR9ES)		3	FOR JPN
5	99530-10114	PIN, DOWEL	2	2	
6	90105-08044	BOLT, FLANGE	12	12	
7	90105-08043	BOLT, FLANGE	6	6	
8	90201-084H7	WASHER, PLATE	18	18	
9	8CC-85790-01	THERMOSENSOR ASSY	1	1	
10	90201-12790	WASHER, PLATE	1	1	
11	8DF-12478-00	COCK, DRAIN	1	1	
12	93210-19123	O-RING	1	1	
13	90109-063E8	BOLT	1	1	
14	90210-06006	WASHER, SEAL	2	2	
15	90109-06418	BOLT	1	1	
16	8EK-11181-00	GASKET, CYLINDER HEAD 1	1	1	
17	8EK-11311-00	CYLINDER 1	3	3	
18	8EK-11351-00	GASKET, CYLINDER	1	1	
19	99530-14016	PIN, DOWEL	6	6	
20	95707-10500	NUT, FLANGE	12	12	
21	90116-10411	BOLT, STUD	6	6	
22	90116-10506	BOLT, STUD	6	6	
23	90116-06031	BOLT, STUD	12	12	
24	93604-08071	PIN, DOWEL	6	6	
25	8EK-1131A-00	VALVE 1	3	3	
26	8EK-1131E-00	HOLDER 1	3	3	



8EK1100-2010

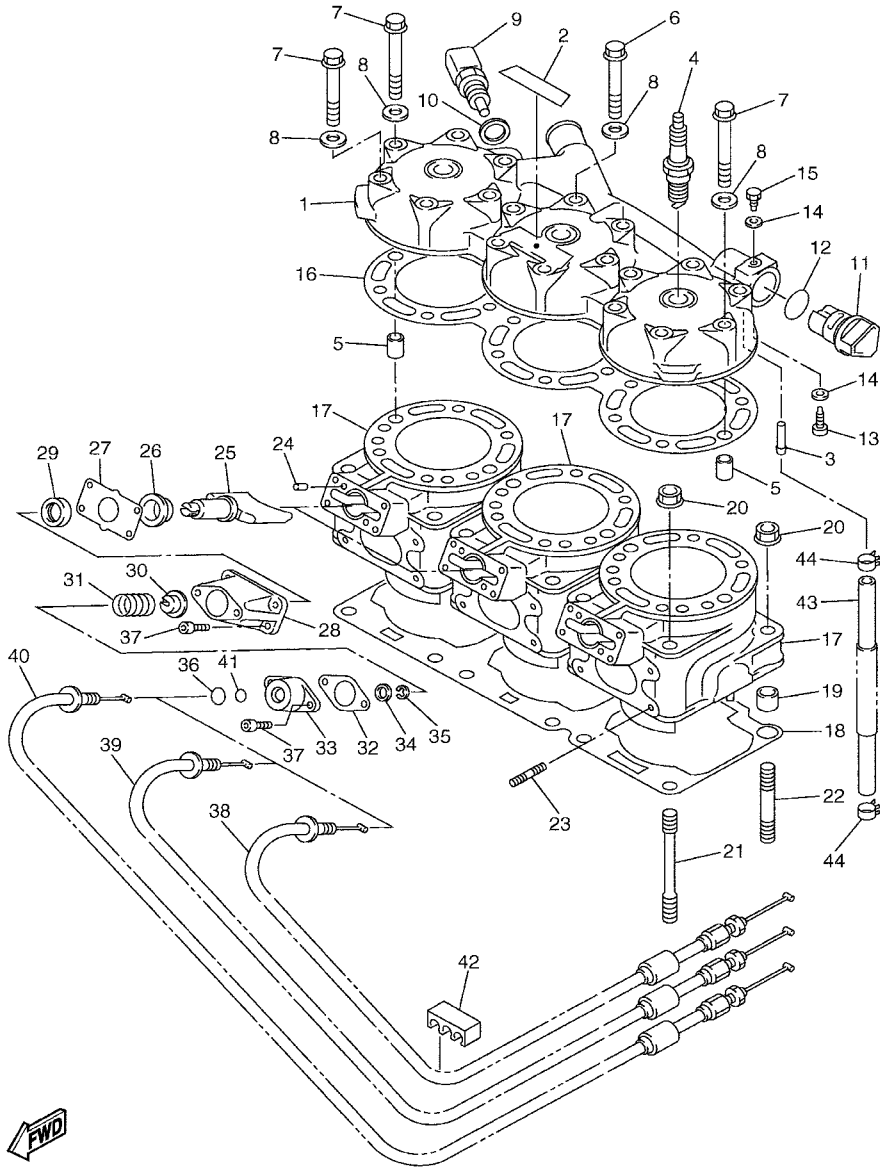
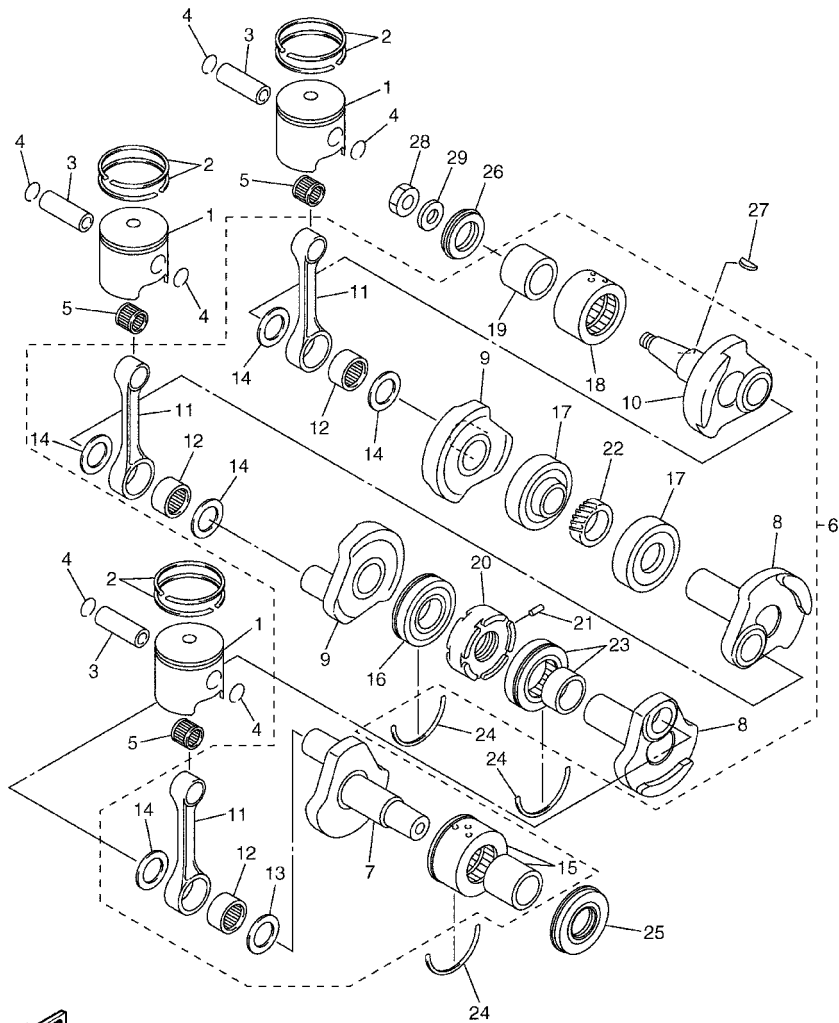


FIG. 1 CYLINDER HEAD

REF. NO.	PART NO.	DESCRIPTION	8EK1	8EK2	REMARKS
27	8DF-11354-02	GASKET	3	3	
28	8DF-1131F-01	HOLDER 2	3	3	
29	93109-15074	OIL SEAL	3	3	
30	8DF-11317-00	SEAT, SPRING	3	3	
31	90501-120L7	SPRING, COMPRESSION	3	3	
32	8DF-11397-10	GASKET	3	3	
33	8DF-1131U-01	HOLDER 3	3	3	
34	90201-092U3	WASHER, PLATE	3	3	
35	99001-06600	CIRCLIP	3	3	
36	93210-09165	O-RING	3	3	
37	91317-05016	BOLT	18	18	
38	8EK-1133E-00	CABLE, PULLEY 1	1	1	
39	8EK-1133F-00	CABLE, PULLEY 2	1	1	
40	8EK-1133G-00	CABLE, PULLEY 3	1	1	
41	93210-06632	O-RING	3	3	
42	90464-06253	CLAMP	1	1	
43	8EK-1248A-00	PIPE 8	1	1	
44	90467-11090	CLIP	2	2	

FWD  
8EK1100-2010

FIG. 2 CRANKSHAFT. PISTON

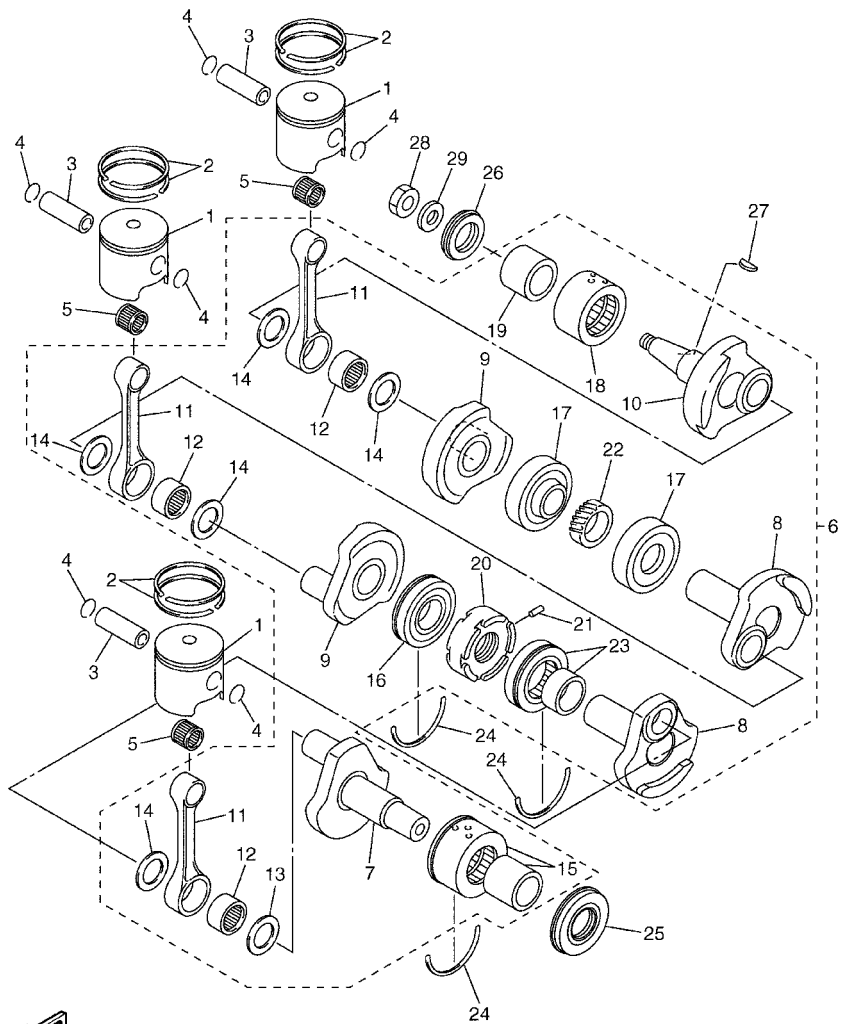


  
8EK1100-2020

REF. NO.	PART NO.	DESCRIPTION	8EK1	8EK2	REMARKS
1	8EK-11631-00-A0	PISTON (STD)	3	3	
2	8DN-11603-00	PISTON RING SET (STD)	6	6	
3	8J0-11633-00	PIN, PISTON	3	3	
4	93450-21053	CIRCLIP	6	6	
5	93310-32009	BEARING	3	3	
6	8EK-11400-00	CRANKSHAFT ASSY	1	1	
7	8EK-11412-00	.CRANK 1	1	1	
8	8EK-11422-00	.CRANK 2	2	2	
9	8EK-11432-00	.CRANK 3	2	2	
10	8EK-11442-00	.CRANK 4	1	1	
11	8DF-11651-00	.ROD, CONNECTING	3	3	
12	93310-5270A	.BEARING	3	3	
13	8CH-11685-00	.WASHER, CRANK PIN	1	1	
14	90201-272U2	.WASHER, PLATE	5	5	
15	8DN-11415-00	.BEARING ASSY 1	1	1	
16	93306-20723	.BEARING	1	1	
17	93306-20722	.BEARING	2	2	
18	93390-00028	.BEARING	1	1	
19	8DF-1142A-01	.BEARING	1	1	
20	8DF-11515-00	.SEAL, LABYRINTH 1	1	1	
21	91609-30010	.PIN, SPRING	1	1	
22	8DF-11434-00	.GEAR, CRANK SHAFT	1	1	
23	8DF-11436-00	.BEARING ASSY 3	1	1	
24	93440-72049	CIRCLIP	3	3	
25	93103-34181	OIL SEAL	1	1	
26	93103-32153	OIL SEAL	1	1	
27	90280-05033	KEY, WOODRUFF	1	1	

FIG. 2 CRANKSHAFT. PISTON

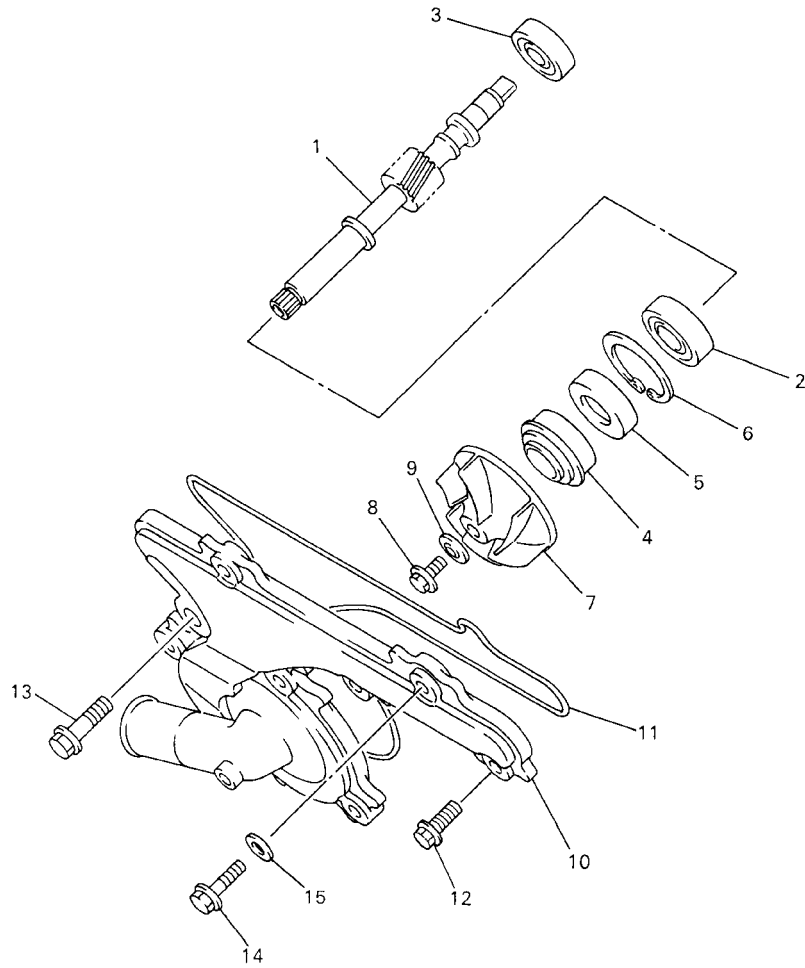
REF. NO.	PART NO.	DESCRIPTION	8EK1	8EK2				REMARKS
28	90170-16425	NUT	1	1				
29	92907-16600	WASHER	1	1				



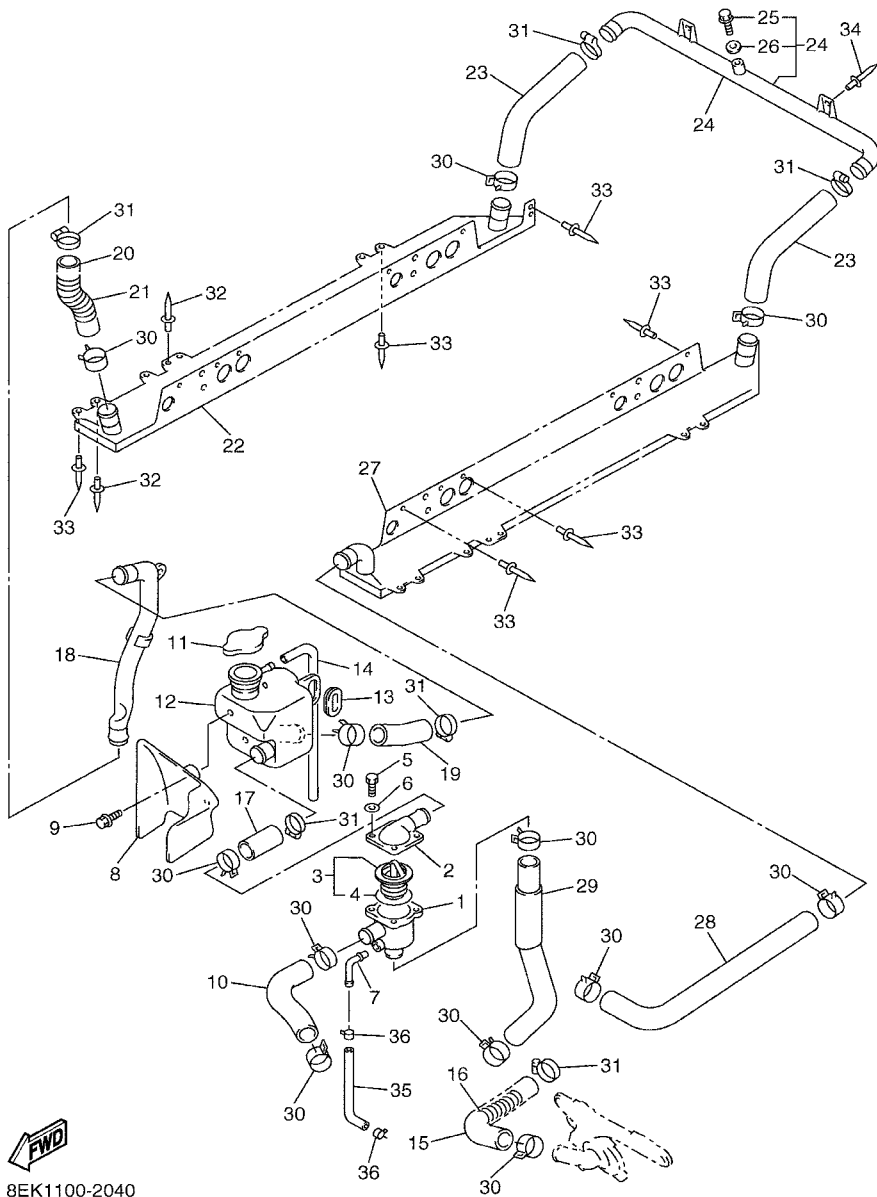
 8EK1100-2020



FIG. 3 WATER PUMP



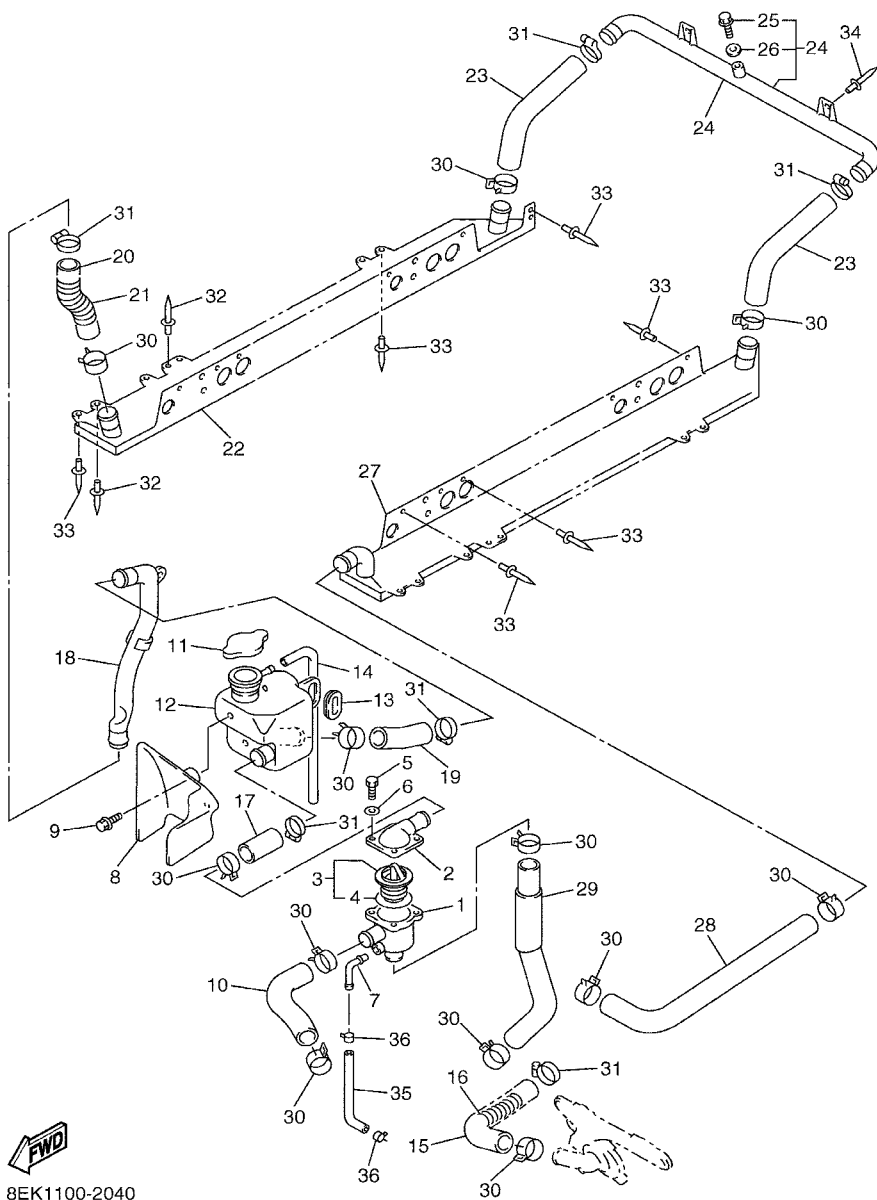
REF. NO.	PART NO.	DESCRIPTION	8EK1	8EK2	REMARKS
1	8DF-12459-00	GEAR, IMPELLER SHAFT	1	1	
2	93306-00106	BEARING	1	1	
3	93306-00004	BEARING	1	1	
4	11H-12438-00	SEAL, MECHANICAL	1	1	
5	93102-12461	OIL SEAL	1	1	
6	99009-28500	CIRCLIP	1	1	
7	8CH-12451-02	IMPELLER, WATER PUMP	1	1	
8	95827-06012	BOLT, FLANGE	1	1	
9	90210-06001	WASHER, SEAL	1	1	
10	8CH-12422-01	COVER, HOUSING	1	1	
11	8CH-12439-00	O-RING	1	1	
12	95817-06020	BOLT, FLANGE	7	7	
13	95807-08025	BOLT, FLANGE	1	1	
14	95814-06025	BOLT, FLANGE	1	1	
15	90430-06166	GASKET	1	1	



8EK1100-2040

FIG. 4 RADIATOR. HOSE

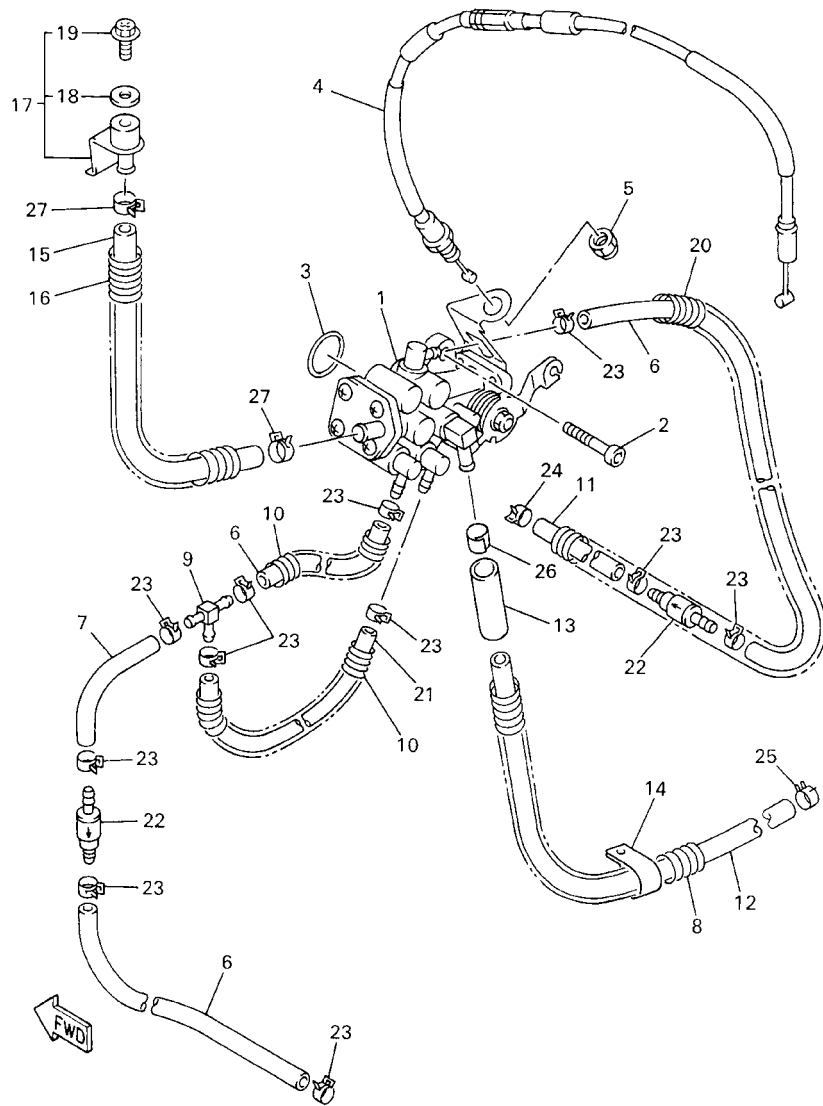
REF. NO.	PART NO.	DESCRIPTION	8EK1	8EK2	REMARKS
1	8EK-12417-00	HOUSING, THERMOSTAT	1	1	
2	8EK-12413-00	COVER, THERMOSTAT	1	1	
3	8EK-12410-00	THERMOSTAT ASSY	1	1	
4	8EK-12412-00	.SEAL, THERMOSTAT	1	1	
5	97027-06020	BOLT	4	4	
6	92907-06600	WASHER, PLATE	4	4	
7	3FV-12584-00	JOINT, HOSE 3	1	1	
8	8EK-12661-00	DUCT	1	1	
9	95807-06012	BOLT, FLANGE	2	2	
10	8EK-12481-00	PIPE 1	1	1	
11	22W-12462-00	CAP, RADIATOR	1	1	
12	8EK-1249B-00	TANK, RESERVE	1	1	
13	90480-01003	GROMMET	1	1	
14	90445-08008	HOSE	1	1	
15	8EK-12482-00	PIPE 2	1	1	
16	90501-12002	SPRING, COMPRESSION	1	1	
17	8EK-1248E-00	PIPE 9	1	1	
18	8EK-12483-00	PIPE 3	1	1	
19	8EK-1243E-00	HOSE 2	1	1	
20	8DF-1243F-00	HOSE,3	1	1	
21	90501-144L4	SPRING, COMPRESSION	1	1	
22	8EK-1240F-00	HEAT EXCHANGER	1	1	
23	8DF-12484-01	PIPE 4	2	2	
24	8EK-1241A-00	HEAT EXCHANGER ASSY 4	1	1	
25	95817-06016	.BOLT, FLANGE	1	1	
26	90210-06006	.WASHER, SEAL	1	1	
27	8EK-1240E-00	HEAT EXCHANGER	1	1	



8EK1100-2040

FIG. 4 RADIATOR. HOSE

REF. NO.	PART NO.	DESCRIPTION	8EK1	8EK2	REMARKS
28	8DF-12485-00	PIPE 5	1	1	
29	8EK-12476-00	PIPE 6	1	1	
30	90467-28046	CLIP	12	12	
31	90450-35001	HOSE CLAMP ASSY	6	6	
32	90267-47186	RIVET, BLIND	6	6	
33	90267-47195	RIVET, BLIND	36	36	
34	90267-47195	RIVET, BLIND	4	4	
35	8EK-12477-00	PIPE 7	1	1	
36	90467-11090	CLIP	2	2	



8EK1100-2050

FIG. 5 OIL PUMP

REF. NO.	PART NO.	DESCRIPTION	8EK1	8EK2	REMARKS
1	8DN-13100-00	OIL PUMP ASSY	1	1	
2	90110-05227	BOLT, HEXAGON SOCKET HEAD	2	2	
3	93210-191A1	O-RING	1	1	
4	8EK-26320-00	PUMP CABLE ASSY	1	1	
5	95707-08300	NUT, FLANGE	1	1	
6	91A30-03010	TUBE, FLEXIBLE VINYL	3	3	
7	91A30-03006	TUBE, FLEXIBLE VINYL	1	1	
8	90501-08430	SPRING, COMPRESSION	1	1	
9	8H0-24379-00	JOINT	1	1	
10	90501-06028	SPRING, COMPRESSION	2	2	
11	91A30-03008	TUBE, FLEXIBLE VINYL	1	1	
12	91A30-05048	TUBE, FLEXIBLE VINYL	1	1	
13	90445-131H1	HOSE (L33)	1	1	
14	90462-08237	CLAMP	1	1	
15	91A30-07010	TUBE, FLEXIBLE VINYL	1	1	
16	90501-083G4	SPRING, COMPRESSION	1	1	
17	8DF-13185-00	BOLT, BREATHER	1	1	
18	8DF-13187-00	.GASKET, BREATHER BOLT	1	1	
19	8DF-13573-00	.BOLT 1	1	1	
20	90501-08486	SPRING, COMPRESSION	1	1	
21	91A30-03012	TUBE, FLEXIBLE VINYL	1	1	
22	8CH-1316A-00	CHECK VALVE ASSY	2	2	
23	90468-02025	CLIP	11	11	
24	90467-07055	CLIP	1	1	
25	90467-09026	CLIP	1	1	
26	90468-02078	CLIP	1	1	
27	90467-11032	CLIP	2	2	

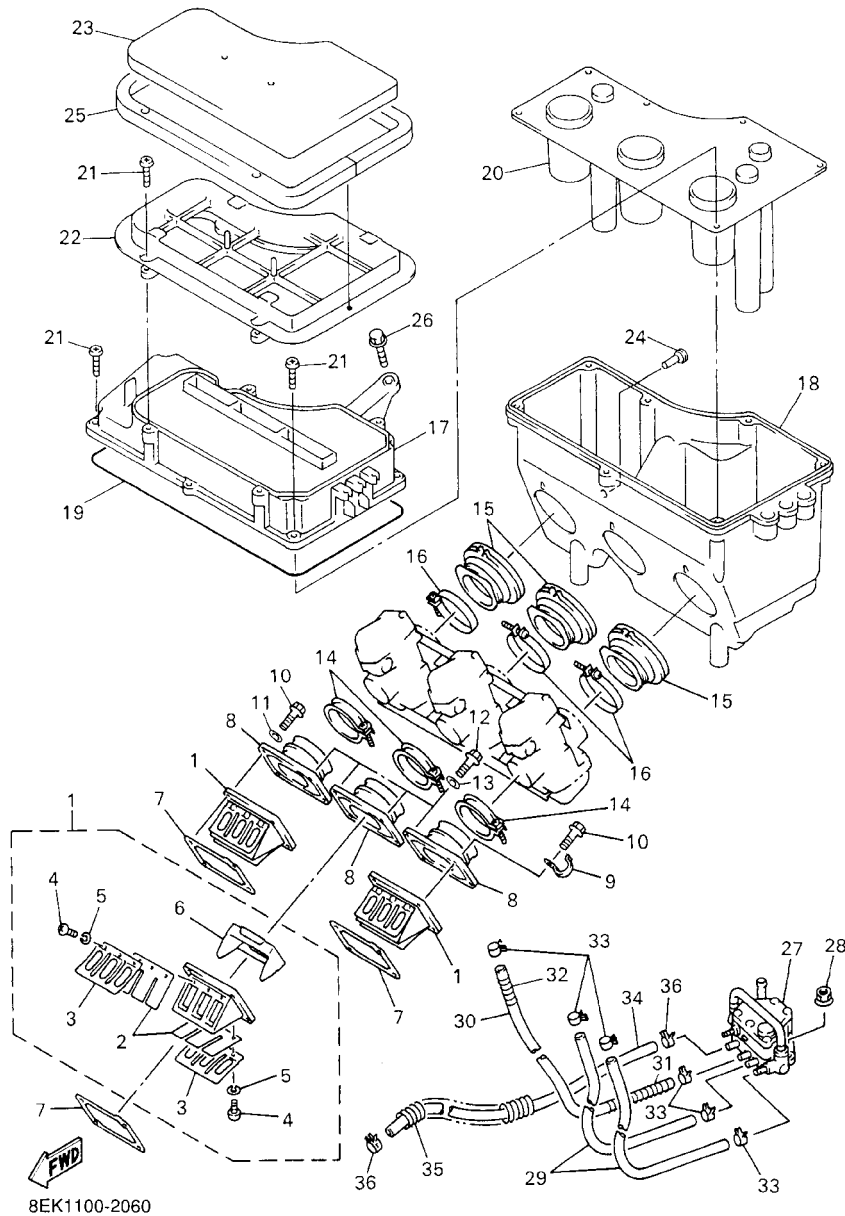
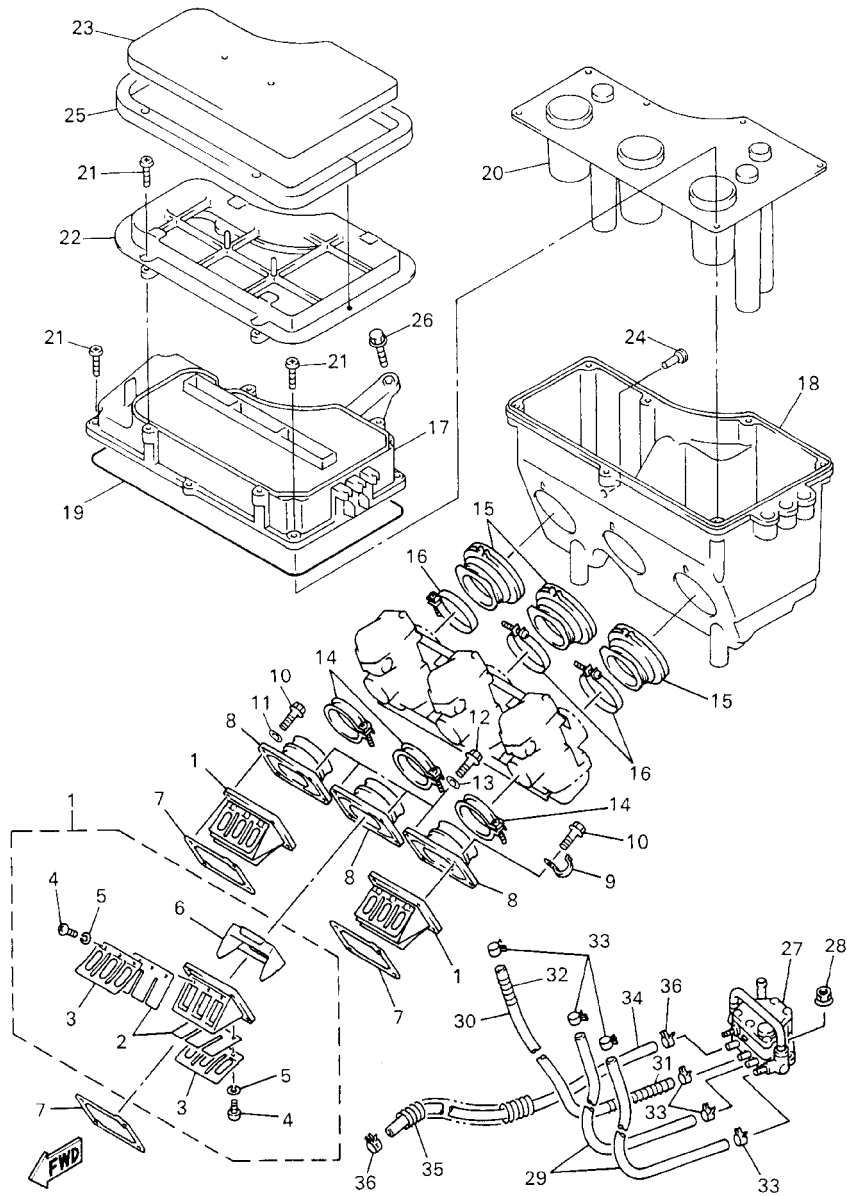


FIG. 6 INTAKE

REF. NO.	PART NO.	DESCRIPTION	8EK1	8EK2	REMARKS
1	8DF-13610-00	REED VALVE ASSY	3	3	
2	2KM-13613-00	.REED, VALVE	2	2	
3	8DF-13616-00	.STOPPER, REED VALVE	2	2	
4	98507-03006	.SCREW, PAN HEAD	6	6	
5	92907-03100	.WASHER	6	6	
6	8DF-13625-00	.SPACER, REED VALVE	1	1	
7	8DF-13621-00	GASKET, VALVE SEAT	3	3	
8	8EK-13555-00	MANIFOLD, INTAKE	3	3	
9	90462-08239	CLAMP	1	1	
10	97017-06025	BOLT	8	8	
11	92907-06600	WASHER, PLATE	8	8	
12	97017-06025	BOLT	4	4	
13	92907-06600	WASHER, PLATE	4	4	
14	90460-56073	CLAMP, HOSE	3	3	
15	8DF-14453-01	JOINT, AIR CLEANER 1	3	3	
16	90450-53061	HOSE CLAMP ASSY	3	3	
17	8EK-14431-00	SILENCER, INTAKE 1	1	1	
18	8EK-14441-00	SILENCER, INTAKE 2	1	1	
19	8CH-14452-00	SEAL	1	1	
20	8EK-14477-00	PLATE	1	1	
21	90167-05043	SCREW, TAPPING	11	11	
22	8EK-14458-00	GUIDE	1	1	
23	8EK-14451-00	ELEMENT, AIR CLEANER	1	1	
24	8EK-14454-00	JOINT	1	1	
25	8EK-14425-00	DAMPER 1	1	1	
26	90119-06182	BOLT, WITH WASHER	1	1	
27	8DF-24410-11	FUEL PUMP ASSY	1	1	

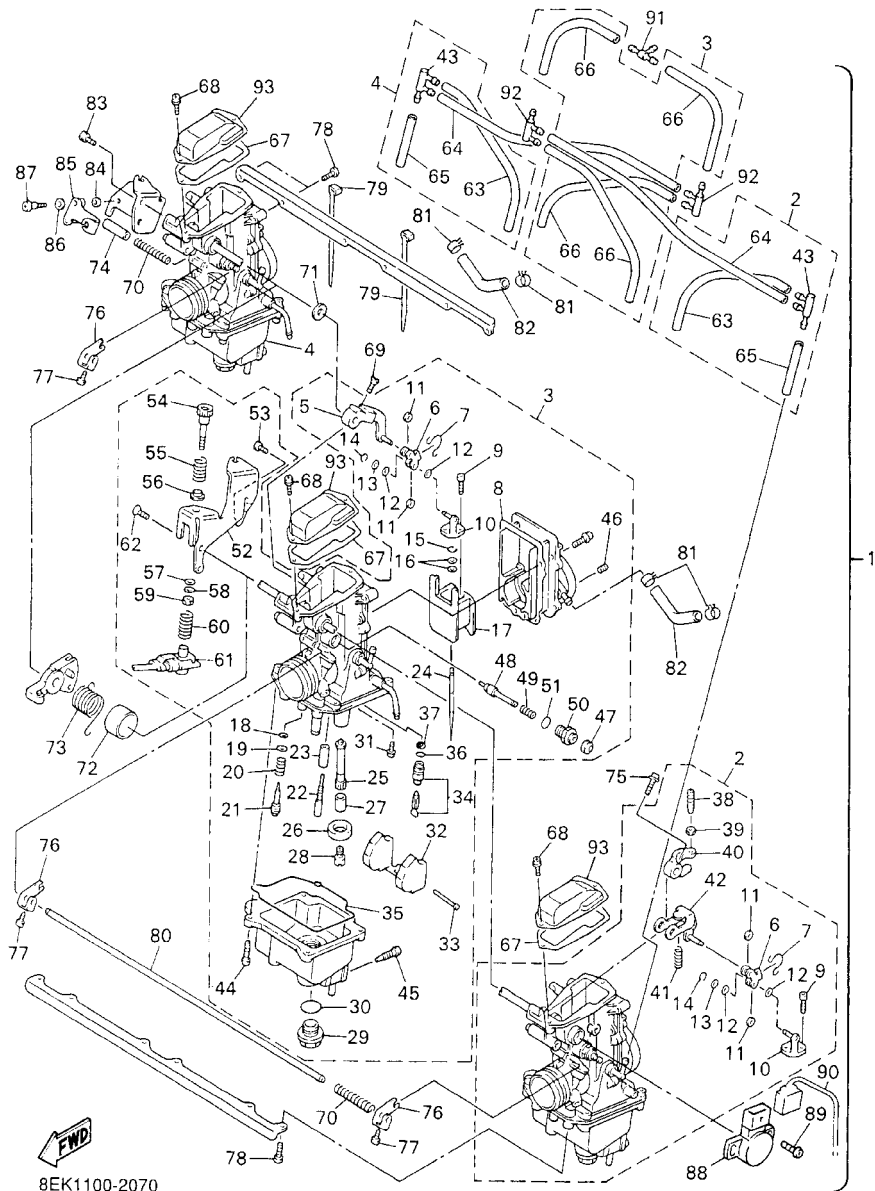


8EK1100-2060

FIG. 6 INTAKE

REF. NO.	PART NO.	DESCRIPTION	8EK1	8EK2	REMARKS
28	95707-06500	NUT, FLANGE	2	2	
29	90445-094K7	HOSE (L180)	2	2	
30	8DF-14294-00	HOSE	1	1	
31	90501-085L6	SPRING, COMPRESSION	1	1	
32	90501-085L7	SPRING, COMPRESSION	1	1	
33	90467-09026	CLIP	6	6	
34	90445-11730	HOSE (L280)	1	1	
35	90501-08486	SPRING, COMPRESSION	1	1	
36	90467-11032	CLIP	2	2	

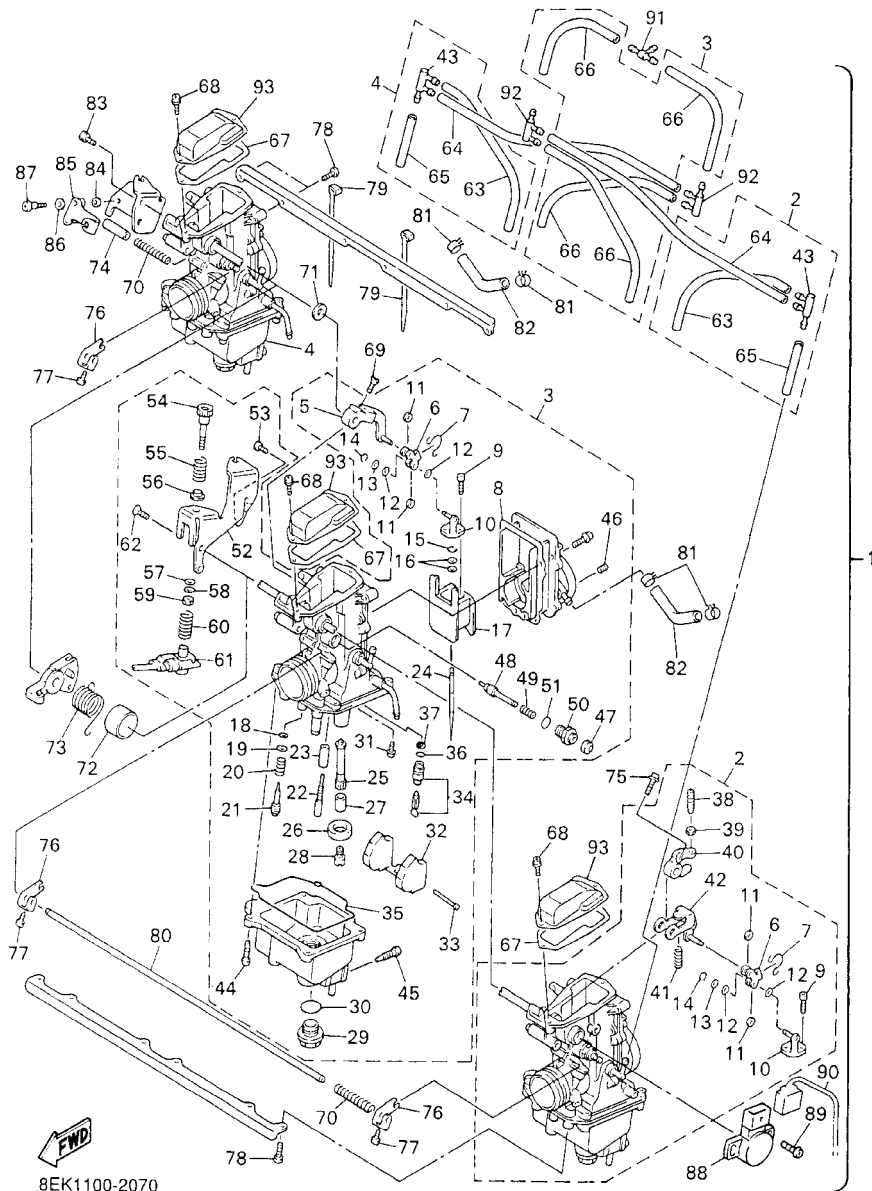
FIG. 7 CARBURETOR



8EK1100-2070

REF. NO.	PART NO.	DESCRIPTION	8EK1	8EK2	REMARKS
1	8EK-14100-00	CARBURETOR ASSY	1	1	
2	8EK-14101-00	..CARBURETOR ASSY 1	1	1	
3	8EK-14102-00	..CARBURETOR ASSY 2	1	1	
4	8EK-14103-00	..CARBURETOR ASSY 3	1	1	
5	89A-14292-00	..LEVER A	1	1	#2
6	89A-14243-00	..PLATE	1	1	
7	89A-14137-00	..CLIP	1	1	
8	89A-14199-00	..GASKET	1	1	
9	8CC-14216-00	..SCREW	2	2	
10	89A-14188-00	..CONNECTOR	1	1	
11	3MA-14918-00	..RING	2	2	
12	3GF-14126-00	..GASKET	2	2	
13	620-14198-00	..GASKET	1	1	
14	3MA-14937-00	..CLIP	1	1	
15	3MA-14159-00	..CLIP	1	1	
16	8AB-14227-00	..WASHER (T=0.4MM)	2	2	
17	8EK-14112-15	..VALVE, THROTTLE 1	1	1	
18	3H1-14147-00	..O-RING	1	1	
19	3H1-14962-00	..WASHER	1	1	
20	5K7-14134-00	..SPRING, AIR ADJUSTING	1	1	
21	89A-14565-00	..SCREW, PILOT ADJUSTING	1	1	
22	3H1-14142-45	..JET, PILOT (# 45)	1	1	STD
	3H1-14142-47	..JET, PILOT (# 47.5)	1	1	AP
	3H1-14142-50	..JET, PILOT (# 50)	1	1	AP
	3H1-14142-52	..JET, PILOT (# 52.5)	1	1	AP
	3H1-14142-55	..JET, PILOT (# 55)	1	1	AP
23	89A-14996-00	..PIPE	1	1	

FIG. 7 CARBURETOR

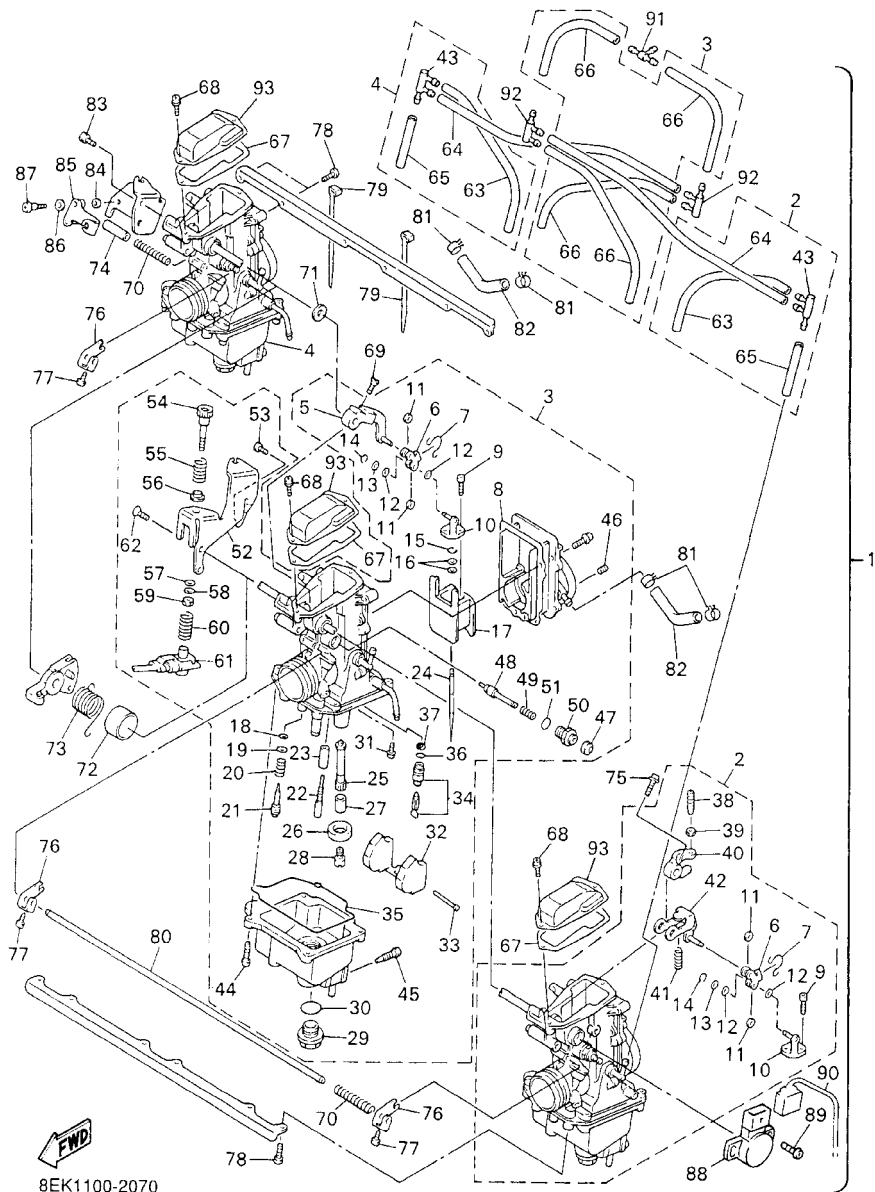


8EK1100-2070

REF. NO.	PART NO.	DESCRIPTION	8EK1	8EK2		REMARKS
24	1T1-14116-A4	..NEEDLE	1	1		
25	89A-14141-48	..NOZZLE, MAIN	1	1		
26	1LX-14153-00	..WASHER, MAIN JET	1	1		
27	89A-14194-00	..RING	1	1		
28	3G2-1423E-62	..JET, MAIN (#156.3)	1	1		STD
	3G2-14231-32	..JET, MAIN (#160)	1	1		AP
	3G2-1423E-63	..JET, MAIN	1	1		AP
	3G2-1423A-82	..JET, MAIN (#157.5)	1	1		AP
	3G2-14231-31	..JET, MAIN (#155)	1	1		AP
	3G2-1423E-61	..JET, MAIN (#153.8)	1	1		AP
	3G2-1423A-81	..JET, MAIN (#152.5)	1	1		AP
	3G2-1423E-60	..JET, MAIN (#151.3)	1	1		AP
	3G2-14231-30	..JET, MAIN (#150)	1	1		AP
	3G2-1423E-59	..JET, MAIN (#148.8)	1	1		AP
	3G2-1423A-80	..JET, MAIN (#147.5)	1	1		AP
	3G2-1423E-58	..JET, MAIN (#146.3)	1	1		AP
	3G2-14231-29	..JET, MAIN (#145)	1	1		AP
	3G2-1423E-57	..JET, MAIN (#143.8)	1	1		AP
	3G2-1423E-56	..JET, MAIN (#141.3)	1	1		AP
	3G2-14231-28	..JET, MAIN (#140)	1	1		AP
	3G2-1423E-55	..JET, MAIN (#138.8)	1	1		AP
29	500-14115-00	..PLUG, SCREW	1	1		
30	558-14147-00	..O-RING	1	1		
31	2LN-14565-00	..SCREW	1	1		
32	8EK-14185-00	..FLOAT	1	1		
33	537-14186-00	..PIN, FLOAT	1	1		
34	1AE-14190-13	..NEEDLE VALVE ASSY	1	1		



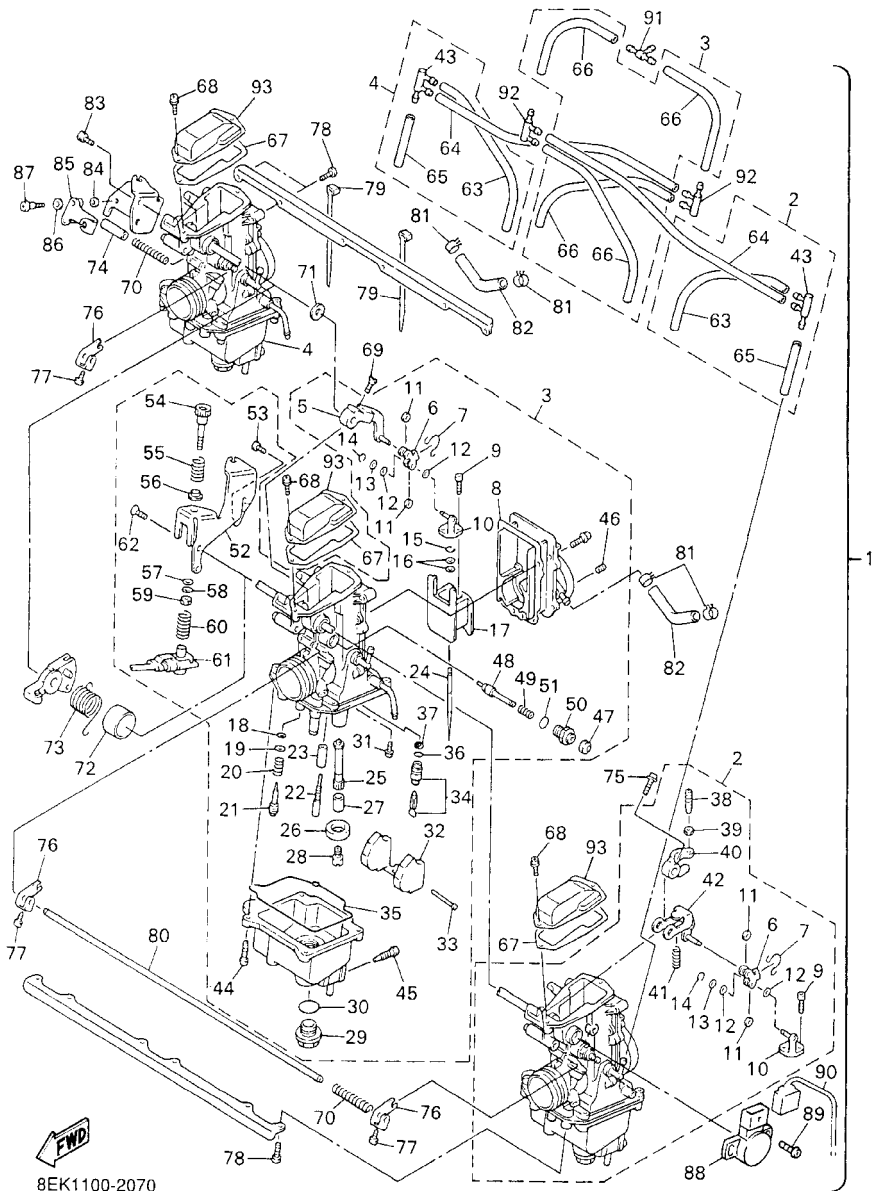
FIG. 7 CARBURETOR



8EK1100-2070

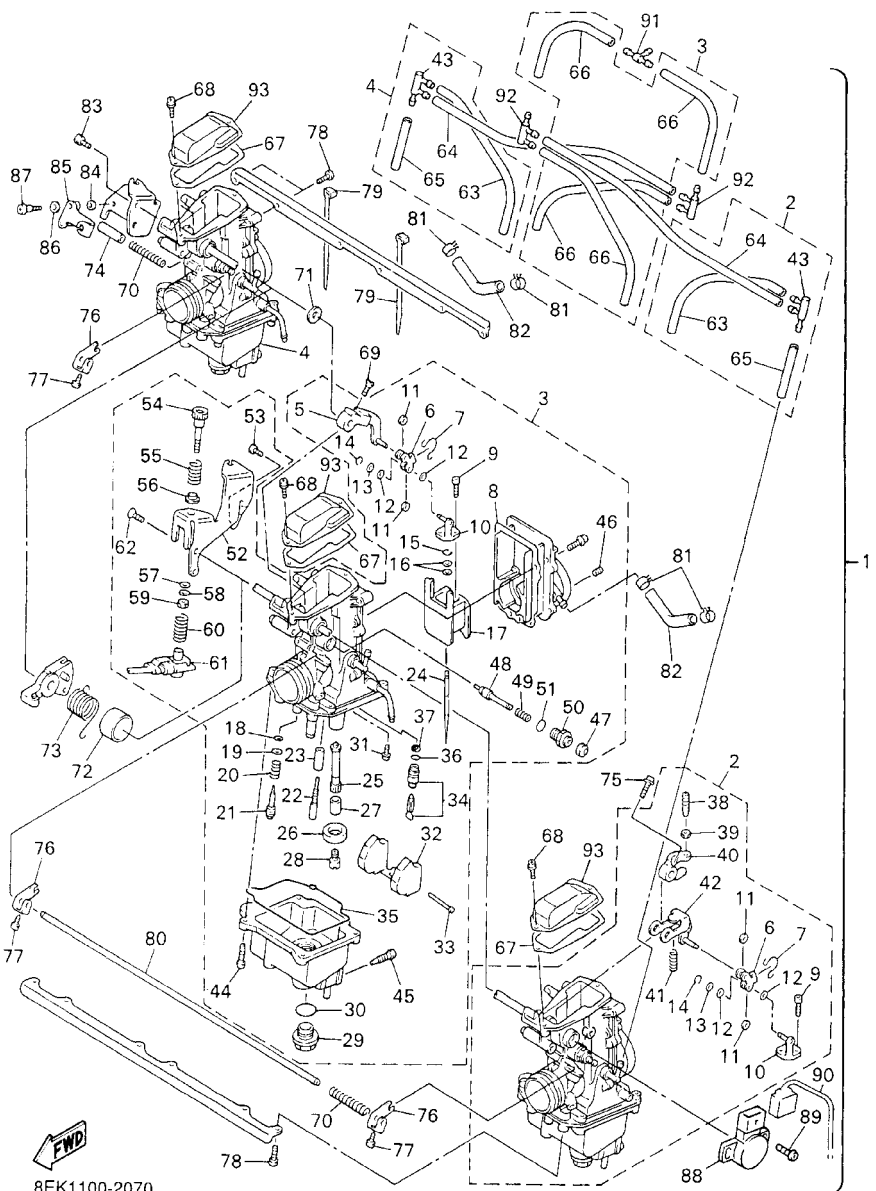
REF. NO.	PART NO.	DESCRIPTION	8EK1	8EK2	REMARKS
35	89A-14147-00	..O-RING	1	1	
36	8F2-14147-00	..O-RING	1	1	
37	1J7-14994-00	..NET, FILTER	1	1	
38	89A-14216-00	..SCREW	1	1	#1,3
39	95302-05700	..NUT	1	1	#1,3
40	89A-14276-00	..LEVER	1	1	#1,3
41	89A-14286-00	..SPRING	1	1	#1,3
42	89A-14905-00	..LEVER, STARTER	1	1	#1,3
43	8EK-14251-00	..NIPPLE	1	1	#1,3
44	98501-04014	..SCREW, PAN HEAD	4	4	
45	12R-14191-00	..PLUG, DRAIN	1	1	
46	239-14172-10	..PILOT JET, AIR (1.0)	1	1	
47	302-14173-00	..COVER, PLUNGER CAP	1	1	
48	8EK-14171-00	..PLUNGER, STARTER	1	1	
49	1AW-14135-00	..SPRING, PLUNGER	1	1	
50	1FN-14174-00	..CAP, PLUNGER	1	1	
51	1AE-14147-00	..O-RING	1	1	
52	8CH-14995-00	..BRACKET	1	1	#2
53	98502-04010	..SCREW, PAN HEAD	1	1	#2
54	8CC-14122-00	..SCREW, THROTTLE	1	1	#2
55	2J2-14133-00	..SPRING, THROTTLE STOP	1	1	#2
56	89A-14265-00	..COLLAR	1	1	#2
57	22F-14117-00	..WASHER, PLUG SCREW	1	1	#2
58	1UF-14952-00	..WASHER	1	1	#2
59	89A-14594-00	..NUT	1	1	#2
60	89A-24529-00	..SPRING	1	1	#2
61	87S-8259A-00	..SWITCH, CARBURETOR	1	1	#2

FIG. 7 CARBURETOR



8EK1100-2070

REF. NO.	PART NO.	DESCRIPTION	8EK1	8EK2	REMARKS
62	98702-05008	..SCREW, FLAT HEAD	1	1	#2
63	8EK-14348-00	..PIPE 1	1	1	#1,3
64	8EK-14349-00	..PIPE	1	1	#1,3
65	8CH-14348-00	..PIPE 1	1	1	#1,3
66	8F2-14197-00	..PIPE	2	2	#2
67	89A-14198-00	.GASKET	3	3	
68	97605-04110	.SCREW, PAN HEAD WITH WASHER	6	6	
69	98702-04014	.SCREW, FLAT HEAD	1	1	
70	1AE-14135-00	.SPRING, PLUNGER	2	2	
71	3H1-14227-00	.WASHER	1	1	
72	89A-14264-00	.COLLAR	1	1	
73	8CH-14589-00	.SPRING	1	1	
74	89A-14118-00	.CAP	1	1	
75	97602-04116	.SCREW, PAN HEAD WITH WASHER	2	2	
76	89A-14208-00	.LEVER COMP. 1	3	3	
77	11H-14991-00	.SCREW	3	3	
78	98502-05012	.SCREW, PAN HEAD	12	12	
79	35H-14139-00	.CLIP, PIPE	6	6	
80	8CH-14978-00	.SHAFT, STARTER LEVER	1	1	
81	90467-10035	.CLIP	4	4	
82	8CH-14987-10	.HOSE	2	2	
83	97602-05110	.SCREW, PAN HEAD WITH WASHER	1	1	
84	3FV-14962-00	.WASHER	1	1	
85	89A-14588-00	.LEVER	1	1	
86	22F-14117-00	.WASHER, PLUG SCREW	1	1	
87	22F-14115-00	.PLUG, SCREW	1	1	
88	5FL-85885-00	.THROTTLE SENSOR ASSY	1	1	



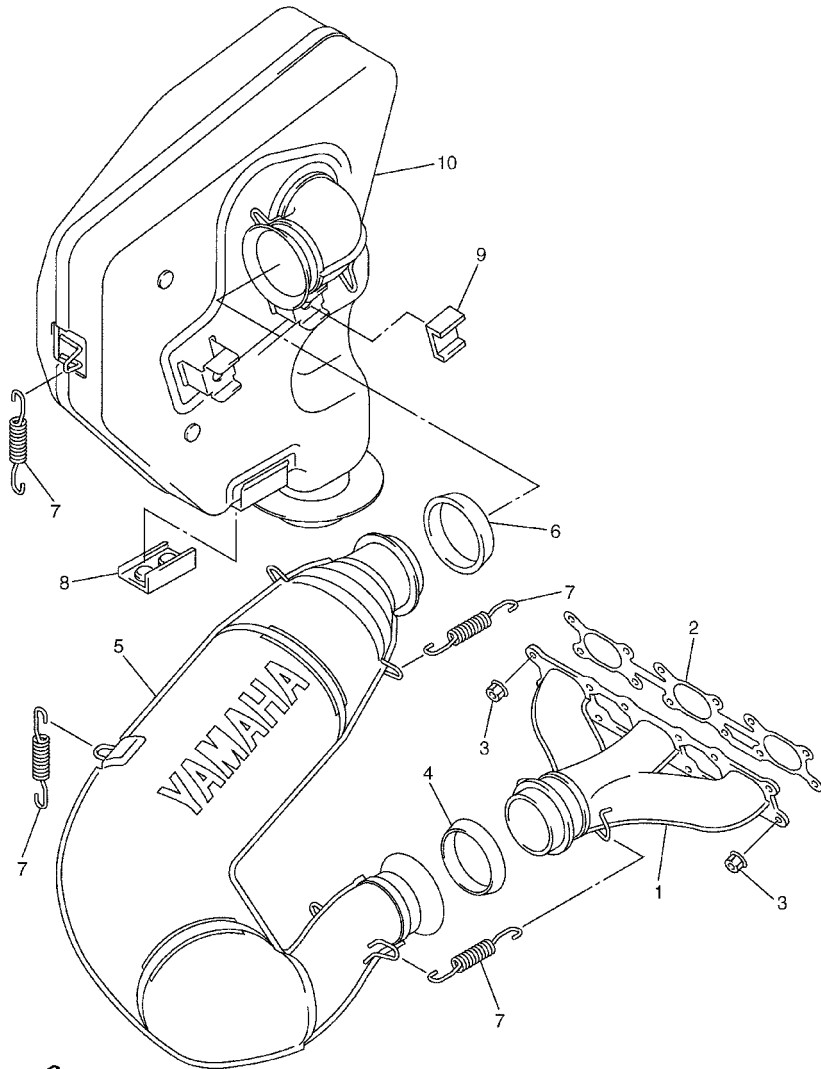
8EK1100-2070

FIG. 7 CARBURETOR

REF. NO.	PART NO.	DESCRIPTION	8EK1	8EK2				REMARKS
89	8CC-14216-10	.SCREW	2	2				
90	8DN-82309-00	.WIRE, SUB LEAD	1	1				
91	4N0-14251-00	.NIPPLE	1	1				
92	8EK-14251-00	.NIPPLE	2	2				
93	89A-24452-00	.COVER	3	3				
-----								
-----								
-----								
-----								
-----								
-----								
-----								
-----								
-----								

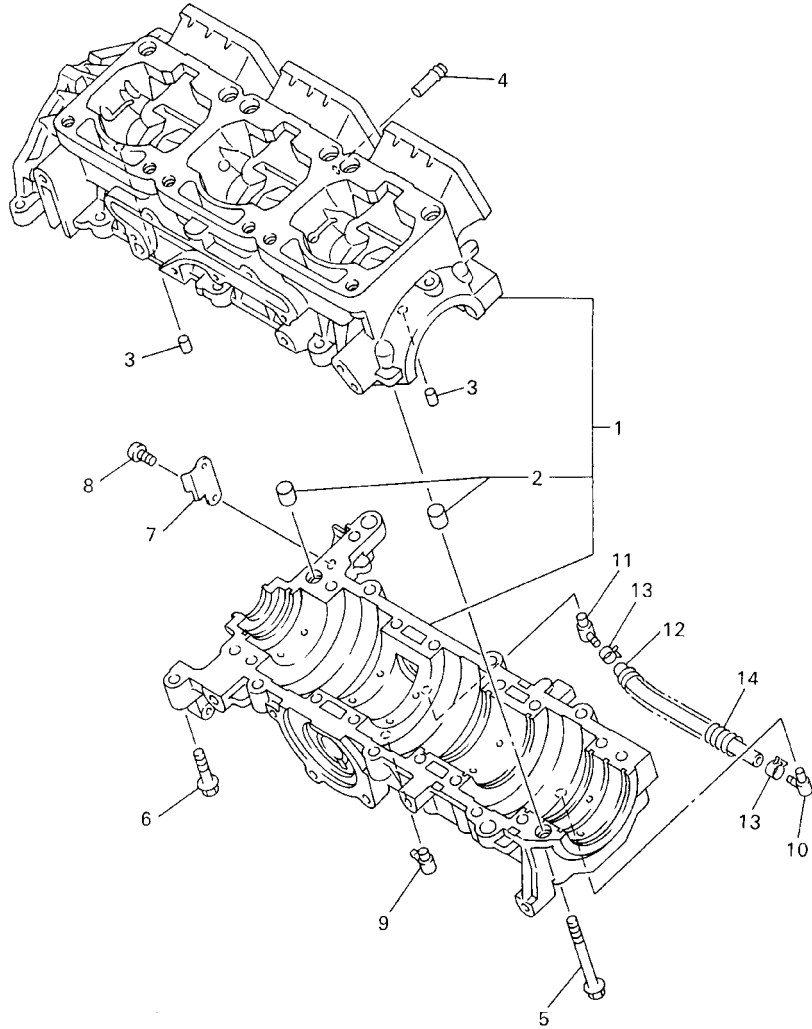
FIG. 8 EXHAUST

REF. NO.	PART NO.	DESCRIPTION	8EK1	8EK2	REMARKS
1	8EK-14610-00	EXHAUST PIPE ASSY 1	1	1	
2	8EK-14613-00	GASKET, EXHAUST PIPE	1	1	
3	95707-06500	NUT, FLANGE	12	12	
4	8CA-14714-00	GASKET, MUFFLER	1	1	
5	8EK-14620-00	EXHAUST PIPE ASSY 2	1	1	
6	8EK-14714-00	GASKET, MUFFLER	1	1	
7	90506-20272	SPRING, TENSION	7	7	
8	8EK-14738-00	PROTECTOR, MUFFLER 3	1	1	
9	8EK-14728-00	PROTECTOR, MUFFLER 2	2	2	
10	8EK-14640-00	SECOND SILENCER, MUFFLER	1	1	



 8EK1100-2080

FIG. 9 CRANKCASE

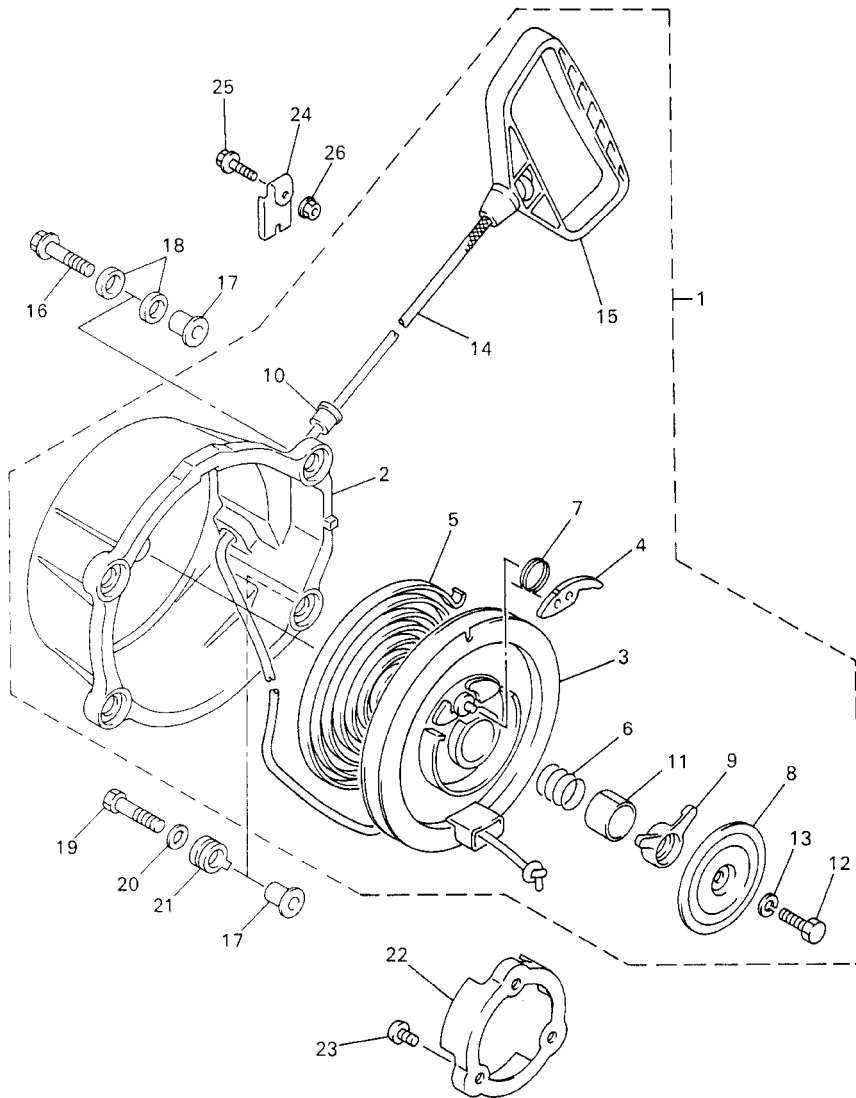


REF. NO.	PART NO.	DESCRIPTION	8EK1	8EK2	REMARKS
1	8DF-15100-10	CRANKCASE ASSY	1	1	
2	99530-12016	.PIN, DOWEL	2	2	
3	93605-10108	PIN, DOWEL	2	2	
4	J38-11116-00	JOINT, BREATHER	1	1	
5	95817-08080	BOLT, FLANGE	16	16	
6	95827-08040	BOLT, FLANGE	8	8	
7	90461-12001	CLAMP	1	1	
8	98507-06012	SCREW, PAN HEAD	2	2	
9	353-13552-01	NOZZLE	1	1	
10	8DF-13552-00	NOZZLE	1	1	
11	8CH-13552-00	NOZZLE	1	1	
12	90446-08382	HOSE	1	1	
13	90468-02025	CLIP	2	2	
14	90501-08430	SPRING, COMPRESSION	1	1	



8DN3100-0090

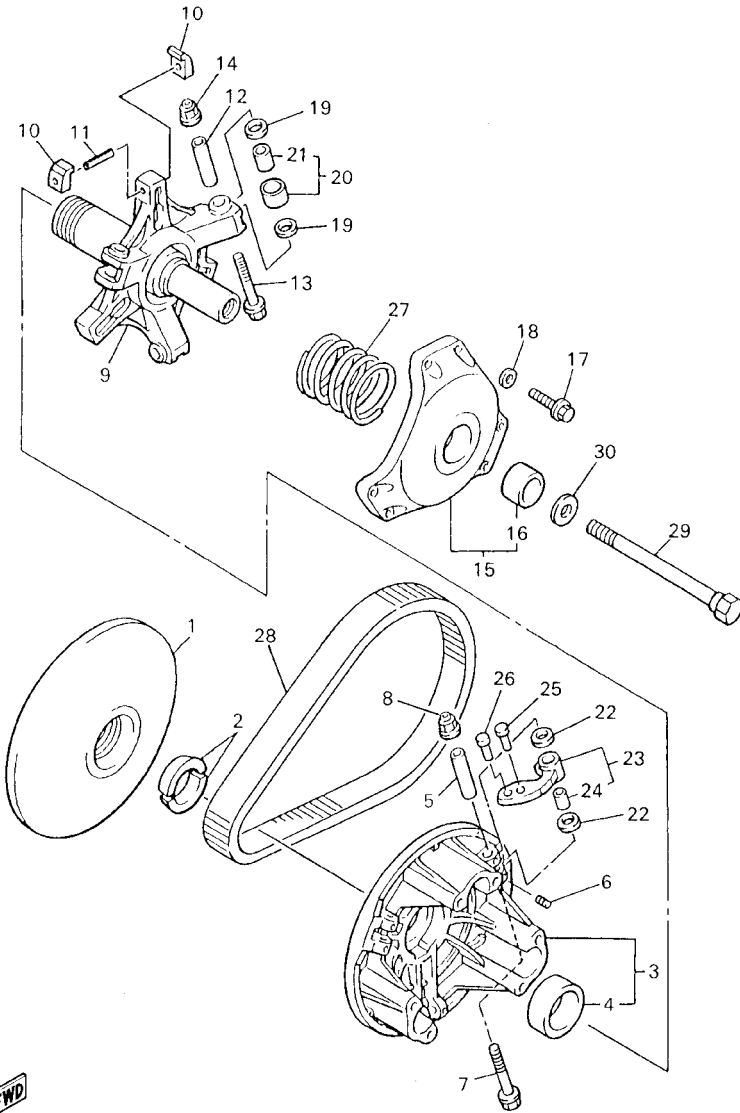
FIG. 10 STARTER



8EK1100-2100

REF. NO.	PART NO.	DESCRIPTION	8EK1	8EK2	REMARKS
1	8EK-15710-00	STARTER ASSY	1	1	
2	8EK-15711-00	.CASE, STARTER	1	1	
3	8DF-15714-00	.DRUM, SHEAVE	1	1	
4	8EK-15741-00	.PAWL, DRIVE	1	1	
5	8DF-15713-00	.SPRING, STARTER	1	1	
6	8DF-15715-00	.SPRING, FRICTION	1	1	
7	8CH-15767-00	.SPRING	1	1	
8	8DF-15716-00	.PLATE, DRIVE	1	1	
9	8DF-15735-00	.GUIDE, CAM	1	1	
10	8F3-15758-00	.GUIDE, ROPE	1	1	
11	8DF-15753-00	.BUSH	1	1	
12	8DF-15768-00	.BOLT	1	1	
13	92902-08100	.WASHER, SPRING	1	1	
14	8CH-15751-00	.WIRE, STARTER	1	1	
15	8F3-15755-00	.HANDLE, STARTER	1	1	
16	90119-08240	BOLT, WITH WASHER	3	3	
17	90387-0811L	COLLAR	4	4	
18	90385-12036	BUSH	6	6	
19	97027-08035	BOLT	1	1	
20	92907-08600	WASHER, PLATE	1	1	
21	90386-12001	BUSH	1	1	
22	8DF-15723-00	PULLEY, STARTER	1	1	
23	92017-08012	BOLT, BUTTON HEAD	3	3	
24	8DF-15758-10	GUIDE, ROPE	1	1	
25	95827-06014	BOLT, FLANGE	1	1	
26	95707-06500	NUT, FLANGE	1	1	

FIG. 11 PRIMARY SHEAVE

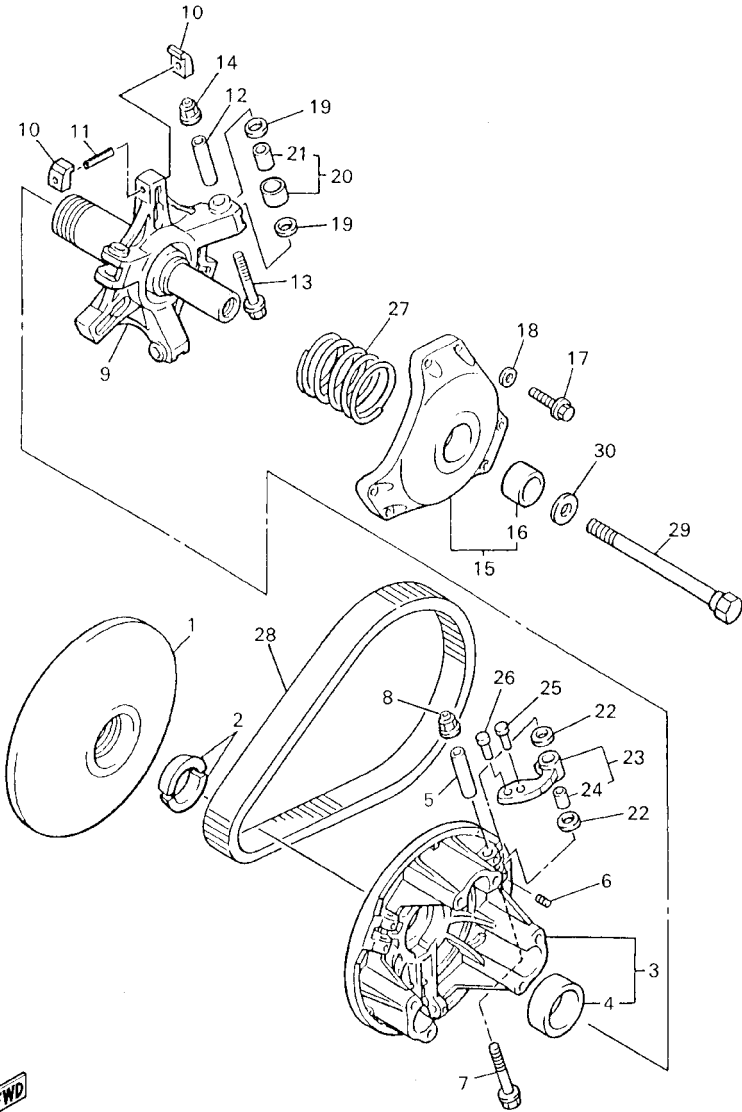


FWD

8DN3100-0110

REF. NO.	PART NO.	DESCRIPTION	8EK1	8EK2	REMARKS
1	8CR-17611-01	SHEAVE, PRIMARY FIXED	1	1	
2	8V0-17639-00	STOPPER	2	2	
3	8BV-17620-11	PRIMARY SLIDING SHEAVE COMP.	1	1	
4	90384-41242	.BUSH, BIMETAL FORMED	1	1	
5	90387-0514T	COLLAR	3	3	
6	90113-05053	BOLT, SET	6	6	
7	90105-05644	BOLT, FLANGE	3	3	
8	95607-05200	NUT, U FLANGE	3	3	
9	8CA-17640-12	SPIDER COMPLETE	1	1	
10	8BW-17653-00	SLIDER	6	6	
11	91609-50032	PIN, SPRING	3	3	
12	90387-0514U	COLLAR	3	3	
13	90105-05644	BOLT, FLANGE	3	3	
14	95607-05200	NUT, U FLANGE	3	3	
15	8DF-17630-00	PRIMARY SHEAVE CAP COMP.	1	1	
16	90380-28237	.BUSH, SOLID	1	1	
17	97017-06030	BOLT	6	6	
18	92907-06600	WASHER, PLATE	6	6	
19	90202-09227	WASHER, PLATE	6	6	
20	8CR-17624-00	ROLLER, COMP	3	3	
21	90380-09245	.BUSH, SOLID	1	1	
22	90202-08204	WASHER, PLATE	6	6	
23	8EK-17605-00	WEIGHT COMP	3	3	
24	90380-08244	.BUSH, SOLID	1	1	
25	90261-06033	RIVET, COUNTERSUNK (ST17.2MM)	3	3	
26	90261-06034	RIVET, COUNTERSUNK (ST13.9MM)	3	3	
27	90501-603L2	SPRING, COMPRESSION	1	1	(Y-WH-Y)

FIG. 11 PRIMARY SHEAVE

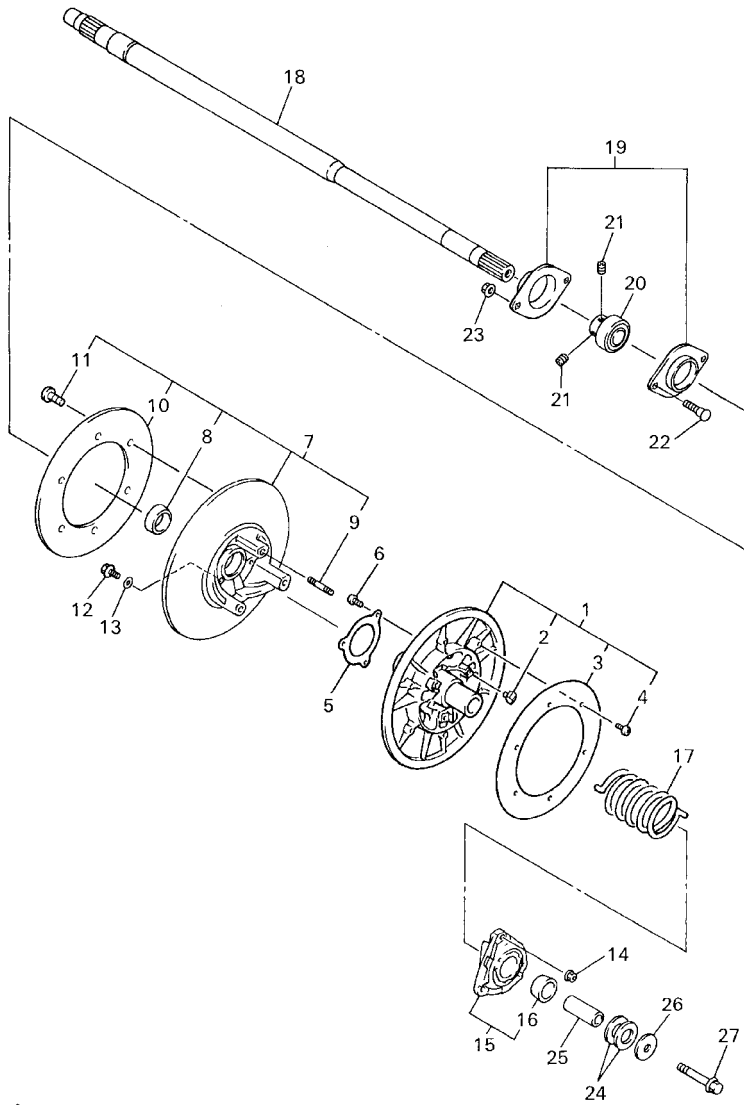


8DN3100-0110

REF. NO.	PART NO.	DESCRIPTION	8EK1	8EK2	REMARKS
28	8DN-17641-00	V-BELT	1	1	
29	8V0-17647-00	BOLT (L=156.5MM)	1	1	
30	92907-16100	WASHER	1	1	



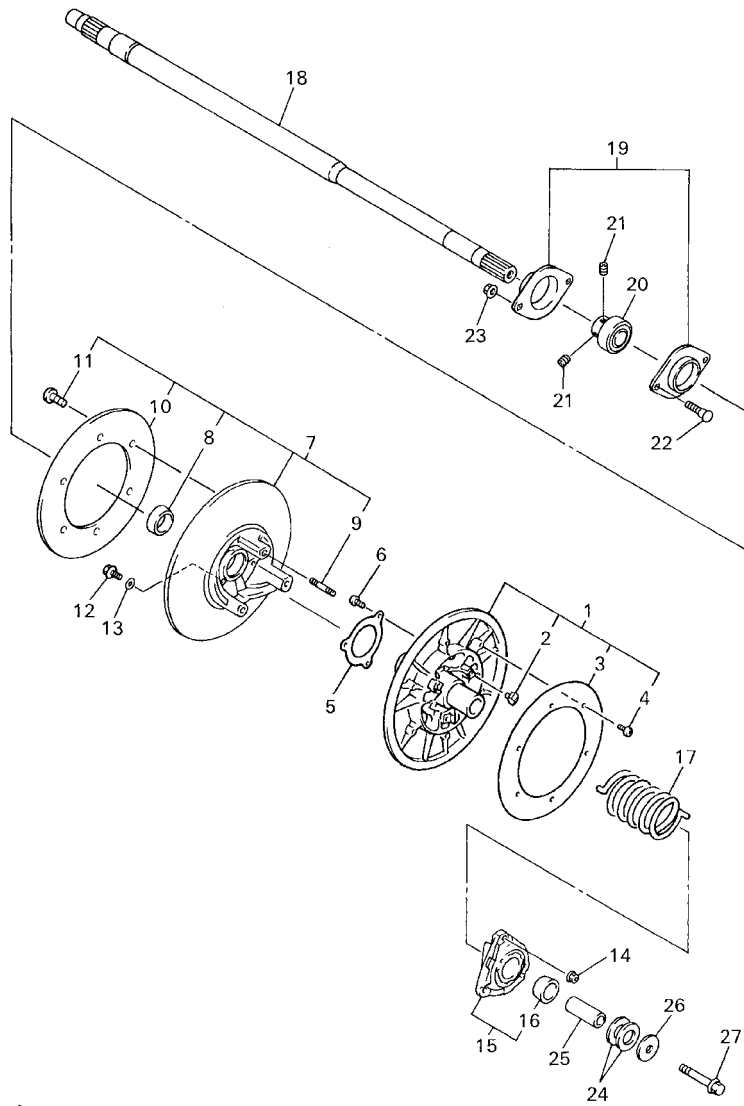
FIG. 12 SECONDARY SHEAVE



8CH100-7230

REF. NO.	PART NO.	DESCRIPTION	8EK1	8EK2	REMARKS
1	8CR-17660-10	SECONDARY FIXED SHEAVE COMP.	1	1	
2	8AV-17688-10	.SHOE, RAMP	3	3	
3	8CM-17665-00	.PLATE 1	1	1	
4	90150-05040	.SCREW, ROUND HEAD	6	6	
5	8BV-17656-00	STOPPER, HOLDER	1	1	
6	90154-06062	SCREW, BINDING	3	3	
7	8BU-17670-10	SECONDARY SLIDING SHEAVE	1	1	
8	90384-38243	.BUSH, BIMETAL FORMED	1	1	
9	95617-08630	.BOLT, STUD	3	3	
10	8CM-17675-00	.PLATE 2	1	1	
11	90150-05040	.SCREW, ROUND HEAD	6	6	
12	90105-06734	BOLT, FLANGE	3	3	
13	90201-061H1	WASHER, PLATE (T=0.5)	3	3	UR UN
	90201-06037	WASHER, PLATE (T=1.0)	3	3	UR UN
14	90179-08655	NUT	3	3	
15	8BV-17604-71	SEAT SPRING SET	1	1	
16	90384-38243	.BUSH, BIMETAL FORMED	1	1	
17	90508-536A9	SPRING, TORSION	1	1	
18	8CR-17681-10	SHAFT, SECONDARY	1	1	
19	8CR-47631-01	HOUSING, BEARING	1	1	
20	93399-99943	BEARING	1	1	
21	90113-06064	BOLT, SET	2	2	
22	90109-083G2	BOLT	2	2	
23	95707-08500	NUT, FLANGE	2	2	
24	90201-222F0	WASHER, PLATE (T=0.5)	1	1	UR UN
	90201-225A4	WASHER, PLATE (T=1.0)	1	1	UR UN
25	90387-1407L	COLLAR	1	1	

FIG. 12 SECONDARY SHEAVE

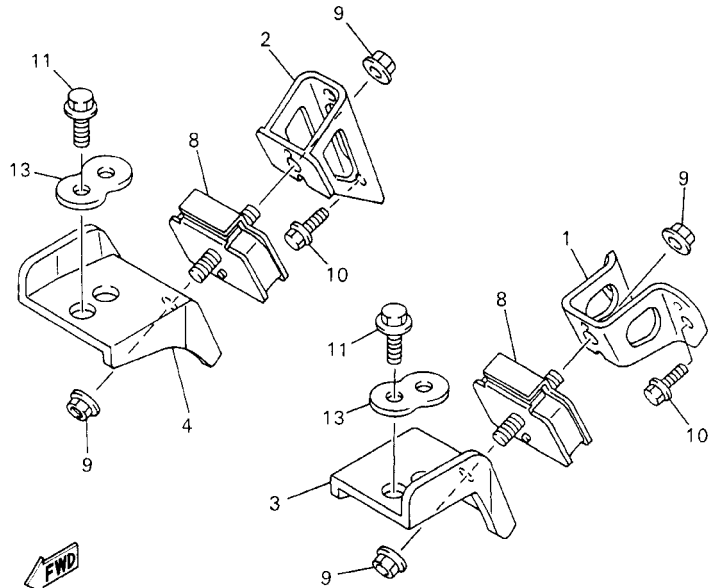
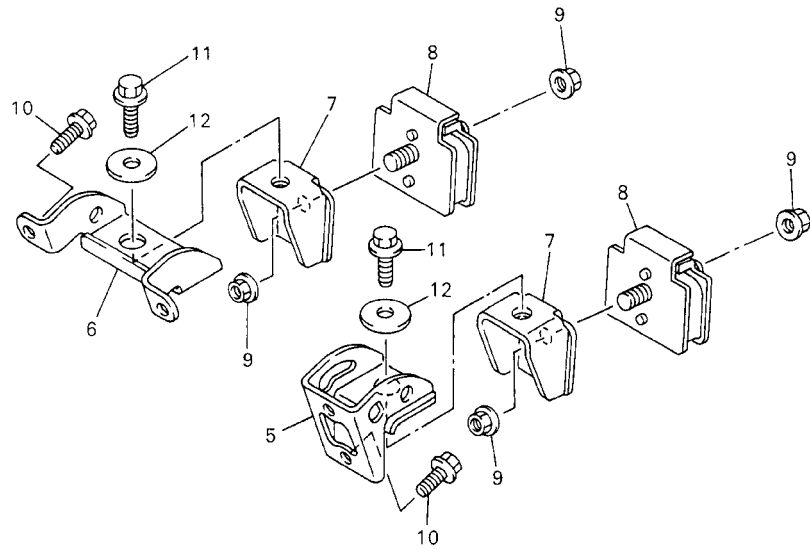


REF. NO.	PART NO.	DESCRIPTION	8EK1	8EK2	REMARKS
26	90201-141A3	WASHER, PLATE	1	1	
27	90105-14766	BOLT, FLANGE	1	1	



8CH100-7230

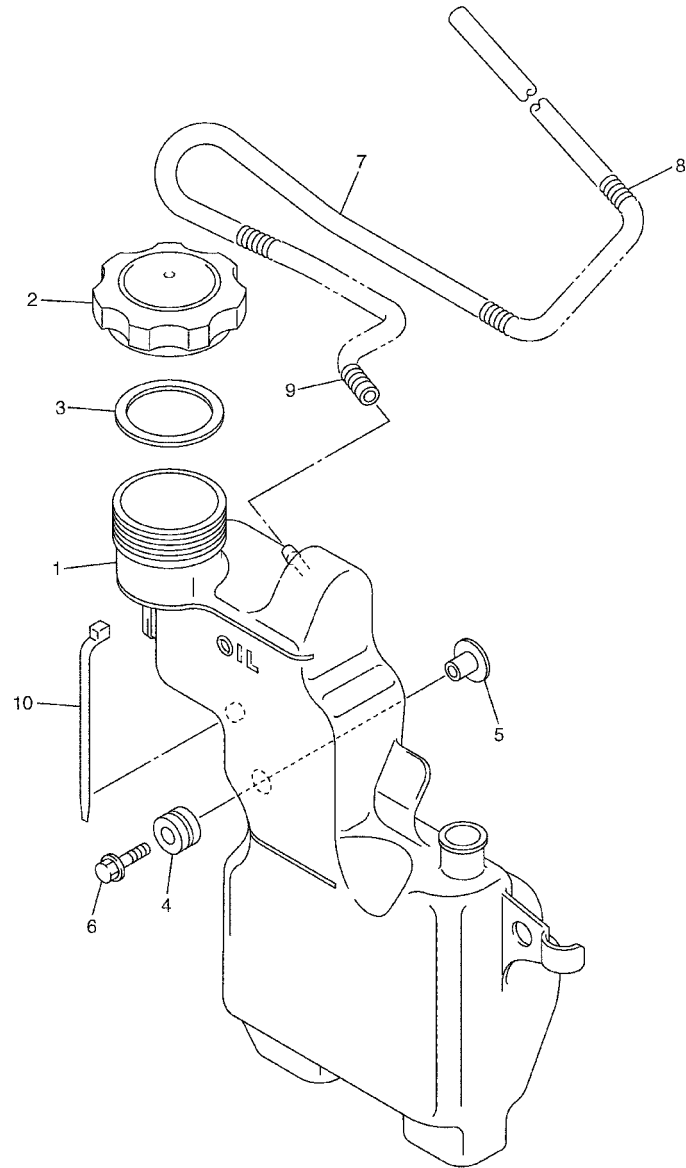
FIG. 13 ENGINE BRACKET



8EK1100-2130

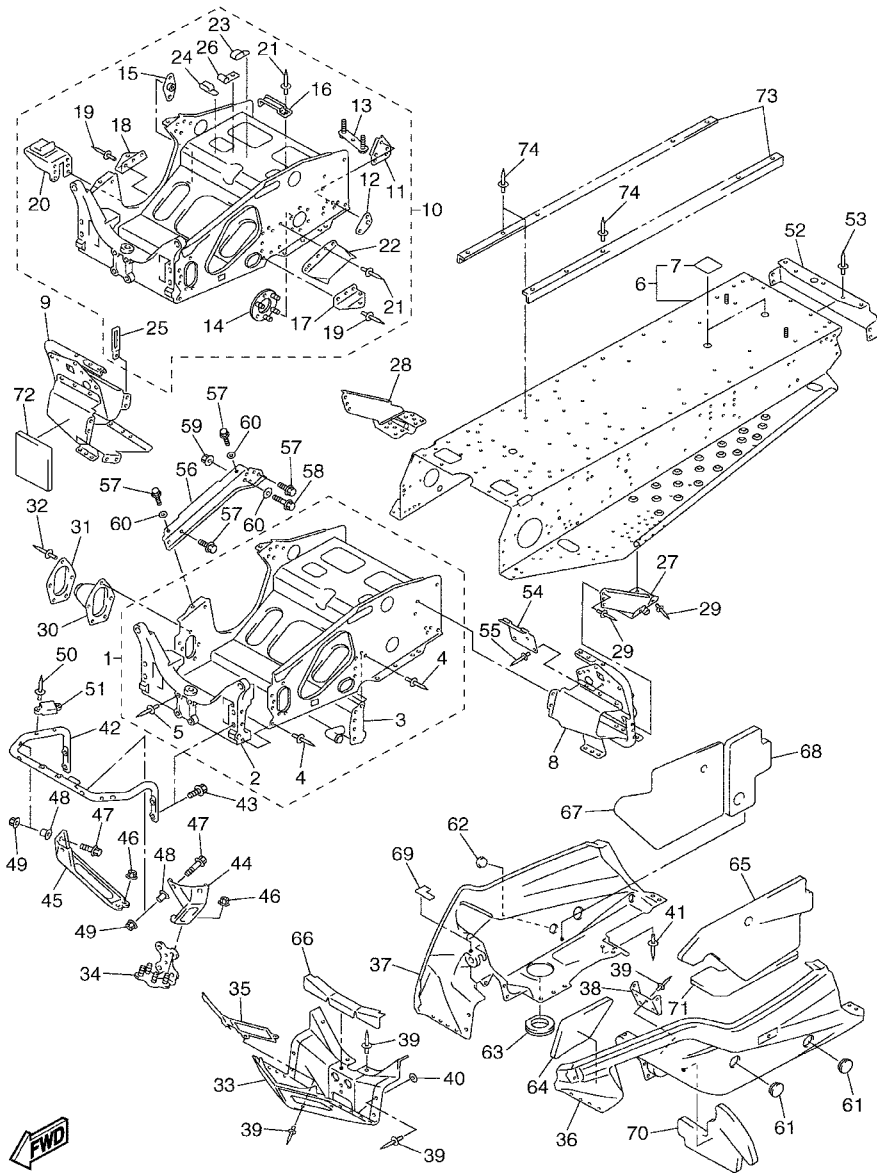
REF. NO.	PART NO.	DESCRIPTION	8EK1	8EK2	REMARKS
1	8EK-21415-00	BRACKET, FRONT UPPER 1	1	1	
2	8EK-21416-00	BRACKET, FRONT UPPER 2	1	1	
3	8DF-21417-01	BRACKET, FRONT LOWER 1	1	1	
4	8DF-21418-00	BRACKET, FRONT LOWER 2	1	1	
5	8EK-21425-00	BRACKET, REAR UPPER 1	1	1	
6	8EK-21426-00	BRACKET, REAR UPPER 2	1	1	
7	8CR-21427-10	BRACKET, REAR LOWER 1	2	2	
8	8CH-21486-10	DAMPER 2	4	4	
9	95707-10500	NUT, FLANGE	8	8	
10	95817-08025	BOLT, FLANGE	8	8	
11	95827-10025	BOLT, FLANGE	6	6	
12	90201-10321	WASHER, PLATE	2	2	
13	8DF-2145B-10	PLATE, ENGINE MOUNT	2	2	

FIG. 14 OIL TANK



8EK1100-2140

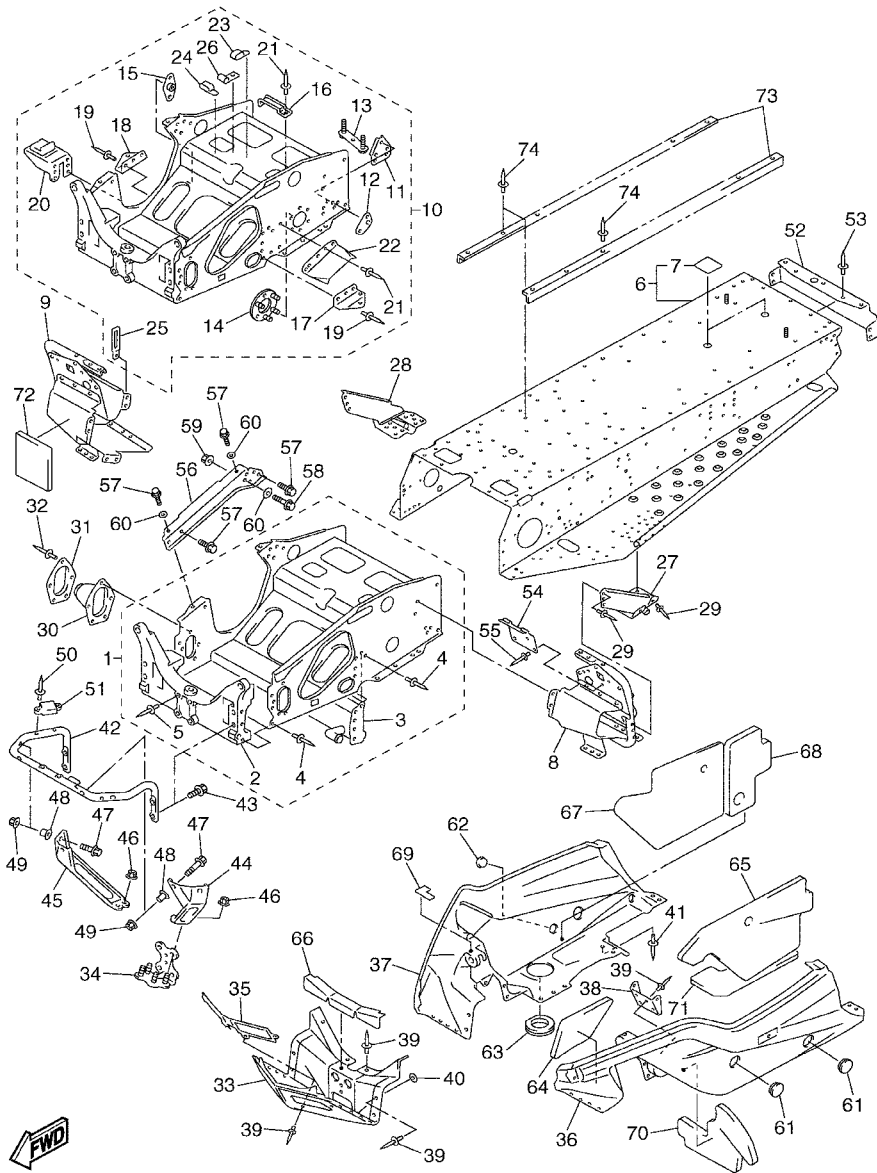
REF. NO.	PART NO.	DESCRIPTION	8EK1	8EK2	REMARKS
1	8EK-21751-00	TANK, OIL	1	1	
2	8EK-21771-00	BODY, CAP	1	1	
3	8EK-21772-00	GASKET, CAP	1	1	
4	90480-14101	GROMMET	2	2	
5	90387-063G3	COLLAR	2	2	
6	95827-06025	BOLT, FLANGE	2	2	
7	91A30-05085	TUBE, FLEXIBLE VINYL	1	1	
8	90501-08430	SPRING, COMPRESSION	1	1	
9	90501-08486	SPRING, COMPRESSION	1	1	
10	90464-13073	CLAMP	1	1	



8EK1100-2150

FIG. 15 FRAME

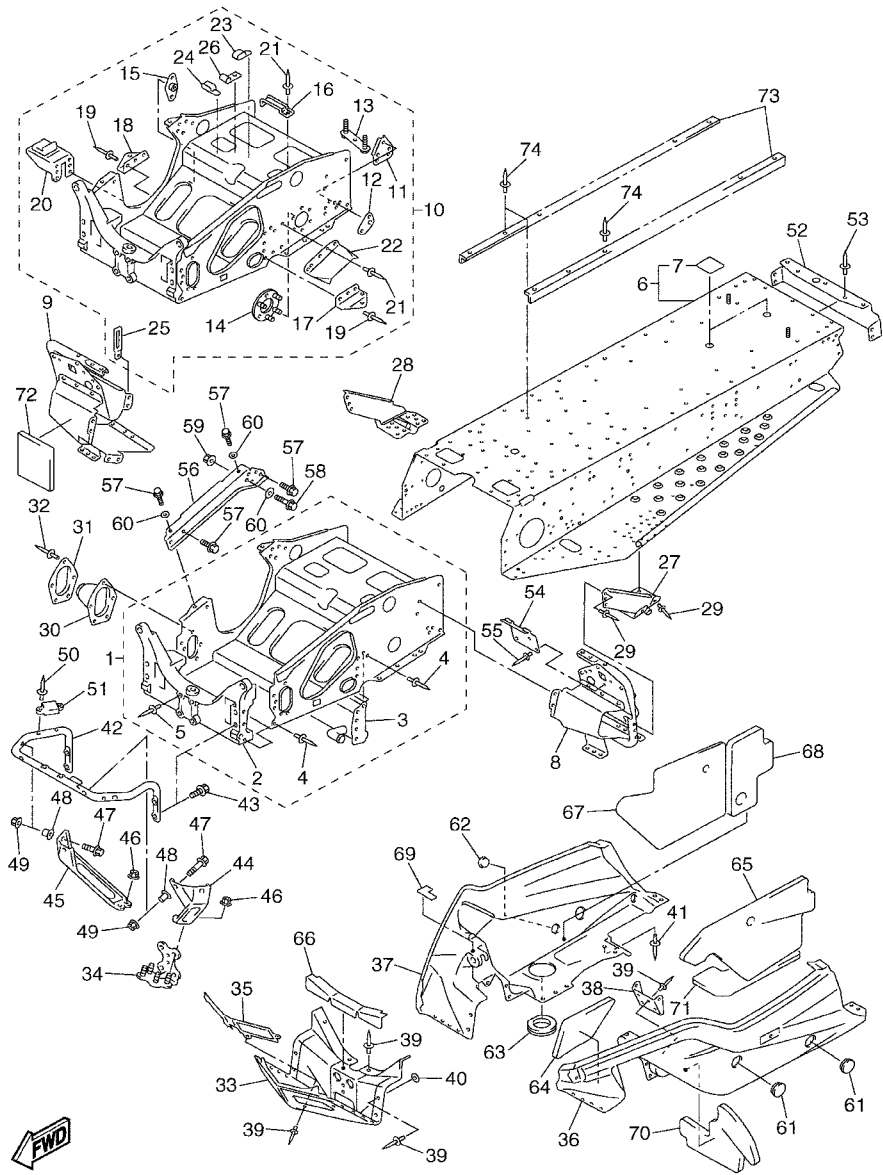
REF. NO.	PART NO.	DESCRIPTION	8EK1	8EK2	REMARKS
1	8EK-21940-09	FRONT FRAME COMP.	1	1	
2	8EK-2191A-00	.BULKHEAD	1	1	
3	8EK-12440-00	.HEAT EXCHANGER ASSY	1	1	
4	90267-48016	.RIVET, BLIND	50	50	UN
5	90267-48057	.RIVET, BLIND	2	2	
6	8EK-21950-09	REAR FRAME COMP.	1	1	
7	8CR-2198J-00	.COVER 3	2	2	
8	8EK-21960-09	FOOTREST COMP. 1	1	1	
9	8EK-21970-09	FOOTREST COMP. 2	1	1	
10	8EK-W2195-00	FRAME CONNECTION KIT	1	1	
11	8CR-21943-01	.BRACKET, MAIN TRACK 1	2	2	
12	8CR-21953-00	.BRACKET, MAIN TRACK 2	2	2	
13	8CR-2196F-00	.BRACKET 3	1	1	
14	8EK-21920-00	.HOUSING, REINF SUB-ASSY(L.H)	1	1	
15	8CR-21939-00	.BRACKET, CHAIN HOUSING	3	3	
16	8DN-21977-00	.CLAMP, FUEL PIPE	2	2	
17	8EK-21917-00	.PANEL, SUB FRAME 6	1	1	
18	8EK-21918-00	.PANEL, SUB-FRAME 7	1	1	
19	90267-48176	.RIVET, BLIND	4	4	
20	8EK-2194J-00	.STAY, MUFFLER	1	1	
21	90267-47186	.RIVET, BLIND	50	50	UR UN
	90267-47197	.RIVET, BLIND	10	10	UR UN
22	8CR-2198G-01	.COVER 2	1	1	
23	90461-05003	.CLAMP	2	2	
24	90461-06142	.CLAMP	1	1	
25	90462-05059	.CLAMP	1	1	
26	90461-10148	.CLAMP	1	1	



8EK1100-2150

FIG. 15 FRAME

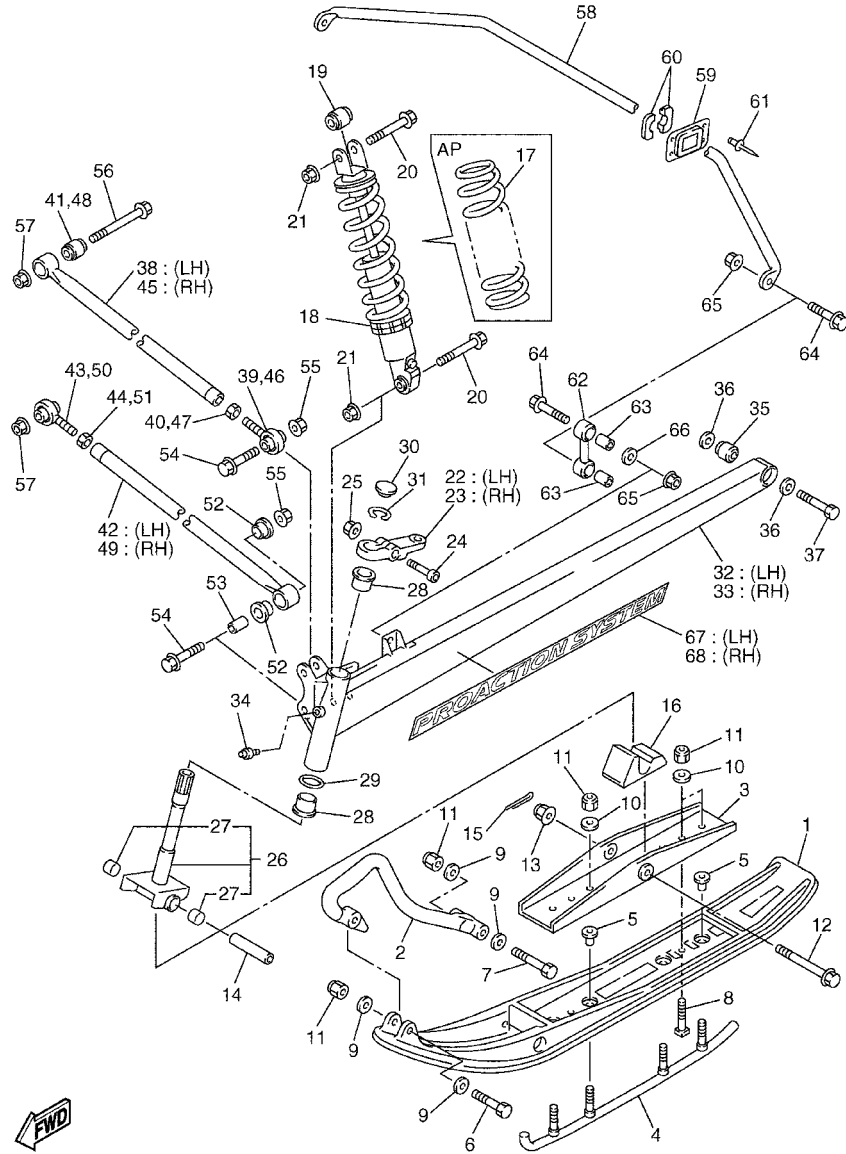
REF. NO.	PART NO.	DESCRIPTION	8EK1	8EK2	REMARKS
27	8DF-21941-00	PIPE, PIVOT 1	1	1	
28	8DF-21951-00	PIPE, PIVOT 2	1	1	
29	90269-07080	RIVET	16	16	
30	8DN-2198F-00	COVER 1	2	2	
31	8CR-2195E-00	PLATE, STRG BRACKET 1	2	2	
32	90267-47197	RIVET, BLIND	10	10	
33	8EK-21912-00	PANEL, SUB FRAME 1	1	1	
34	8EK-23788-00	PLATE, BACK UP	1	1	
35	8CR-77128-00	STAY 4	1	1	
36	8EK-2196A-00	FRAME UNDER 1	1	1	
37	8EK-2196E-00	FRAME, UNDER 2	1	1	
38	8EK-21972-00	BRACKET, GUARD FITTING	1	1	
39	90267-48018	RIVET, BLIND	34	34	
40	90201-05033	WASHER, PLATE	16	16	
41	90267-47187	RIVET, BLIND	18	18	
42	8EK-77512-00	BUMPER, FRONT 2	1	1	
43	95807-08020	BOLT, FLANGE	4	4	
44	8EK-21949-00	BRACKET, FRONT	1	1	
45	8EK-21959-00	BRACKET, FRONT BUMPER	1	1	
46	95607-08200	NUT, SELF-LOCKING	4	4	
47	95807-08035	BOLT, FLANGE	4	4	
48	90387-08015	COLLAR	4	4	
49	95707-08500	NUT, FLANGE	4	4	
50	90267-48018	RIVET, BLIND	2	2	
51	8DJ-14728-00	PROTECTOR, MUFFLER 2	1	1	
52	8EK-21923-00	REINFORCEMENT, FRAME REAR 1	1	1	
53	90267-47195	RIVET, BLIND	9	9	



8EK1100-2150

FIG. 15 FRAME

REF. NO.	PART NO.	DESCRIPTION	8EK1	8EK2				REMARKS
54	8CR-21973-00	HOOK	1	1				
55	90267-48169	RIVET, BLIND	3	3				
56	8EK-21921-00	REINFORCEMENT, FRAME REAR 1	1	1				
57	90105-10617	BOLT, FLANGE	6	6				
58	95827-10065	BOLT, FLANGE	1	1				
59	95707-10500	NUT, FLANGE	1	1				
60	92907-10200	WASHER, PLAIN	3	3				
61	90338-44093	PLUG	3	3				
62	90338-30256	PLUG	1	1				
63	8DF-21998-10	SPACER	1	1				
64	8EK-77261-00	LINING, SHROUD 1	1	1				
65	8EK-77262-00	LINING, SHROUD 2	1	1				
66	8EK-77263-00	LINING, SHROUD 3	1	1				
67	8EK-77264-00	LINING, SHROUD 4	1	1				
68	8EK-77265-00	LINING, SHROUD 5	1	1				
69	8EK-77266-00	LINING, SHROUD 6	1	1				
70	8EK-77267-00	LINING, SHROUD 7	1	1				
71	8EK-77268-00	LINING,SHROUD 8	1	1				
72	8EK-77269-00	LINING,SHROUD 9	1	1				
73	8DN-21978-00	PROTECTOR, FRAME	2					
74	90267-50004	RIVET, BLIND	16					

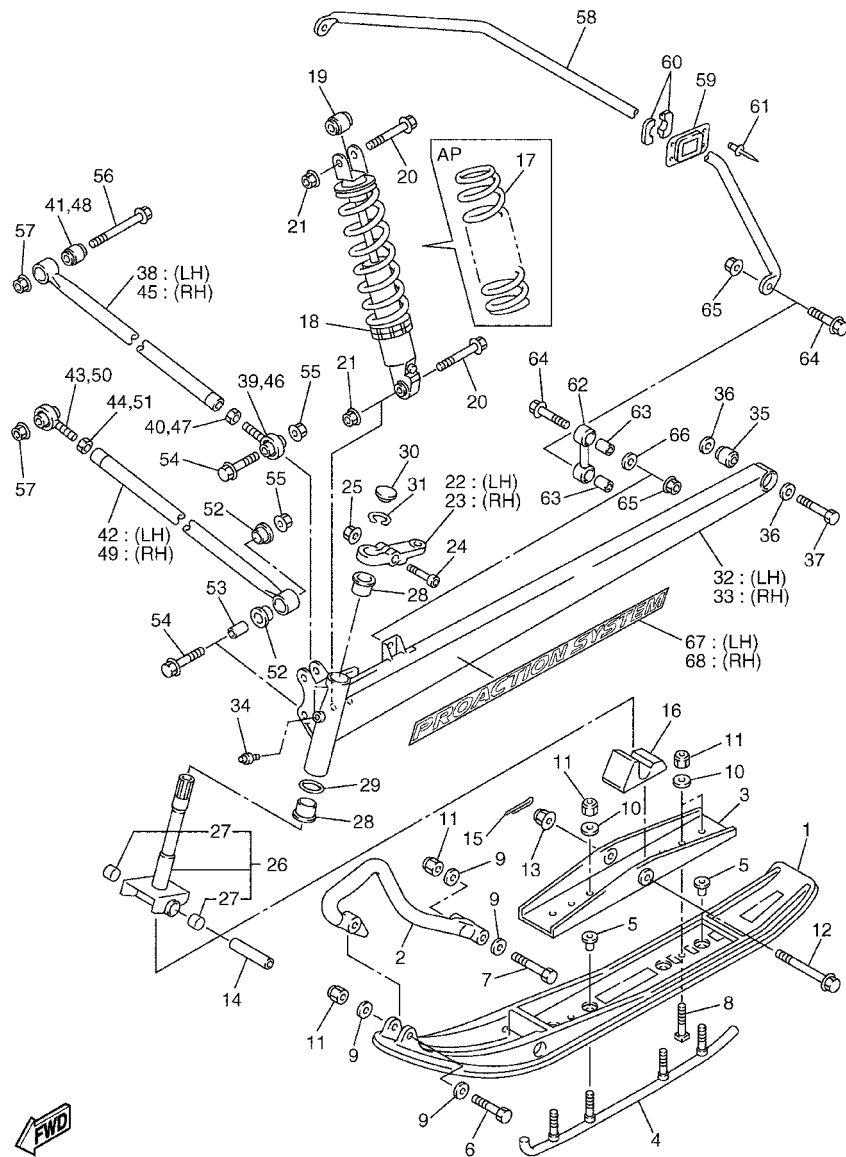


8EK1100-2160

FIG. 16 SKI

REF. NO.	PART NO.	DESCRIPTION	8EK1	8EK2	REMARKS
1	8EK-F3711-00	SKI 1	2		
	8EK-23711-00	SKI 1		2	
2	8EK-F3712-00	REINFORCEMENT, HEAD	2		
	8EK-23712-00	REINFORCEMENT, HEAD		2	
3	8EK-F3766-00	SADDLE 1	2		
	8EK-23766-00	SADDLE 1		2	
4	8EK-F3731-00	RUNNER 1	2		
	8EK-23731-00	RUNNER 1		2	
5	8EK-F3751-00	BUSH, SKI 1	8		
	8EK-23751-00	BUSH, SKI 1		8	
6	9702M-08055	BOLT	2		
	97027-08055	BOLT		2	
7	9702M-08100	BOLT	2		
	97027-08100	BOLT		2	
8	90108-08002	BOLT, SQUARE	4	4	
9	90201-08784	WASHER, PLATE	8	8	
10	90201-086P8	WASHER, PLATE	12	12	
11	9570M-08300	NUT, FLANGE	16		
	95707-08300	NUT, FLANGE		16	
12	90105-10712	BOLT, FLANGE	2	2	
13	95607-10200	NUT, SELF-LOCKING	2	2	
14	90387-1012H	COLLAR	2	2	
15	91401-20020	PIN, COTTER	2	2	
16	8CR-23743-10	STOPPER 1	2	2	
17	8CX-23760-00	SPRING ASSY 1 (K=1.7)	1	1	AP
	8CX-23760-10	SPRING ASSY 1 (K=2.3)	1	1	AP
	8CH-23760-40	SPRING ASSY 1 (K=1.1-1.9-2.1)	1	1	AP





8EK1100-2160

FIG. 16 SKI

REF. NO.	PART NO.	DESCRIPTION	8EK1	8EK2	REMARKS
17	8CH-23760-50	SPRING ASSY 1 (K=1.3-2.4-2.8)	1	1	AP
	8CH-23760-60	SPRING ASSY 1 (K=1.5-2.3-3.1)	1	1	AP
18	8EK-2376A-00	ABSORBER ASSY 1	2		
	8EK-2376A-10	ABSORBER ASSY 1		2	
	8EK-2376A-20	ABSORBER ASSY 1		2	FOR JPN
19	8CR-2376B-00	BUSH	2	2	
20	90105-100A9	BOLT, FLANGE	4	4	
21	95607-10200	NUT, SELF-LOCKING	4	4	
22	8EK-23851-00	ARM, OUTSIDE 1	1	1	
23	8EK-23852-00	ARM, OUTSIDE 2	1	1	
24	91314-08035	BOLT	2	2	
25	95604-08200	NUT, U FLANGE	2	2	
26	8EK-23803-00	COLUMN, SKI ASSY	2	2	
27	90384-16251	.BUSH, BIMETAL FORMED	2	2	
28	90381-25115	BUSH, SOLID	4	4	
29	90201-301G3	WASHER, PLATE	2	2	
30	8CR-23741-10	CAP 1	2	2	
31	99009-25400	CIRCLIP	2	2	
32	8DM-2382E-10	ARM, FRONT 1	1	1	
33	8DM-2382F-10	ARM, FRONT 2	1	1	
34	93700-06004	NIPPLE, GREASE	2	2	
35	8CR-2516A-00	DAMPER	2	2	
36	90201-120T5	WASHER, PLATE	4	4	
37	90101-12780	BOLT	2	2	
38	8EK-2384E-00	ARM, CONTROL 1	1	1	
39	8EK-23823-00	JOINT 2	1	1	
40	95317-12600	NUT	1	1	



8EK1100-2160

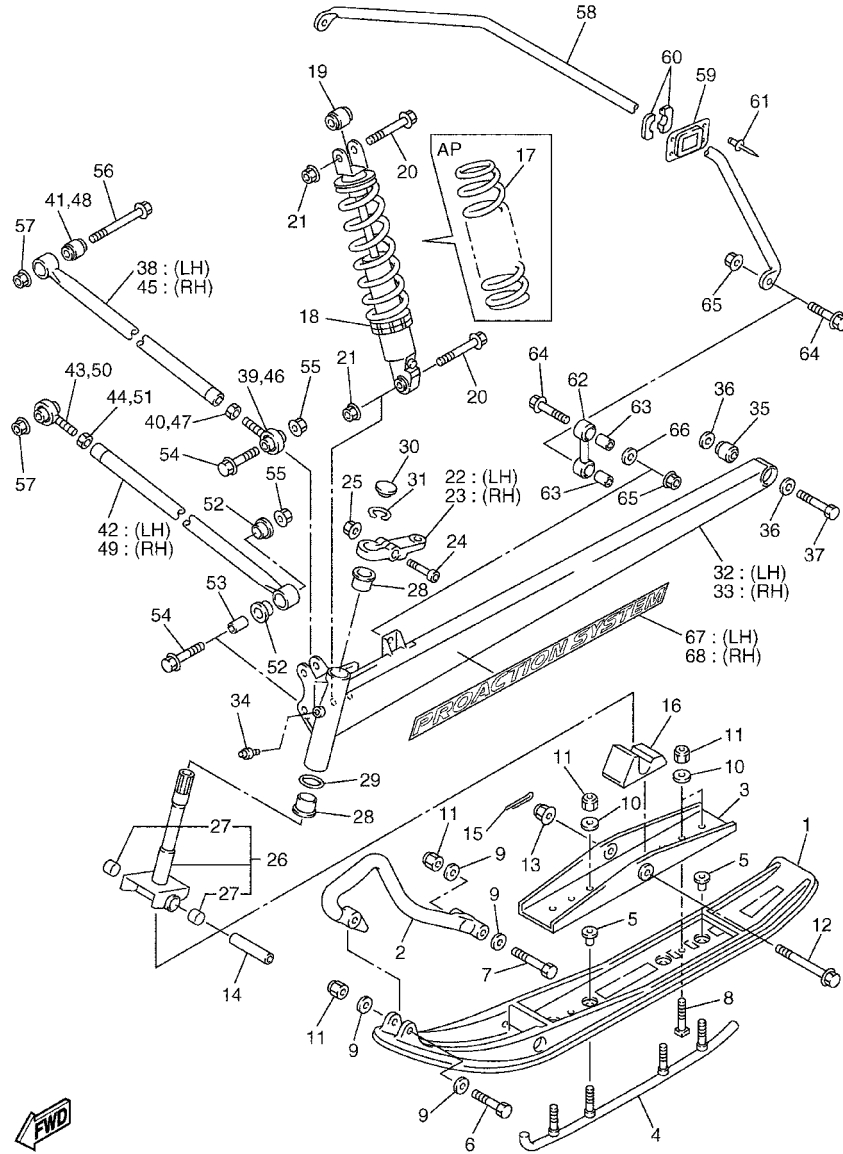
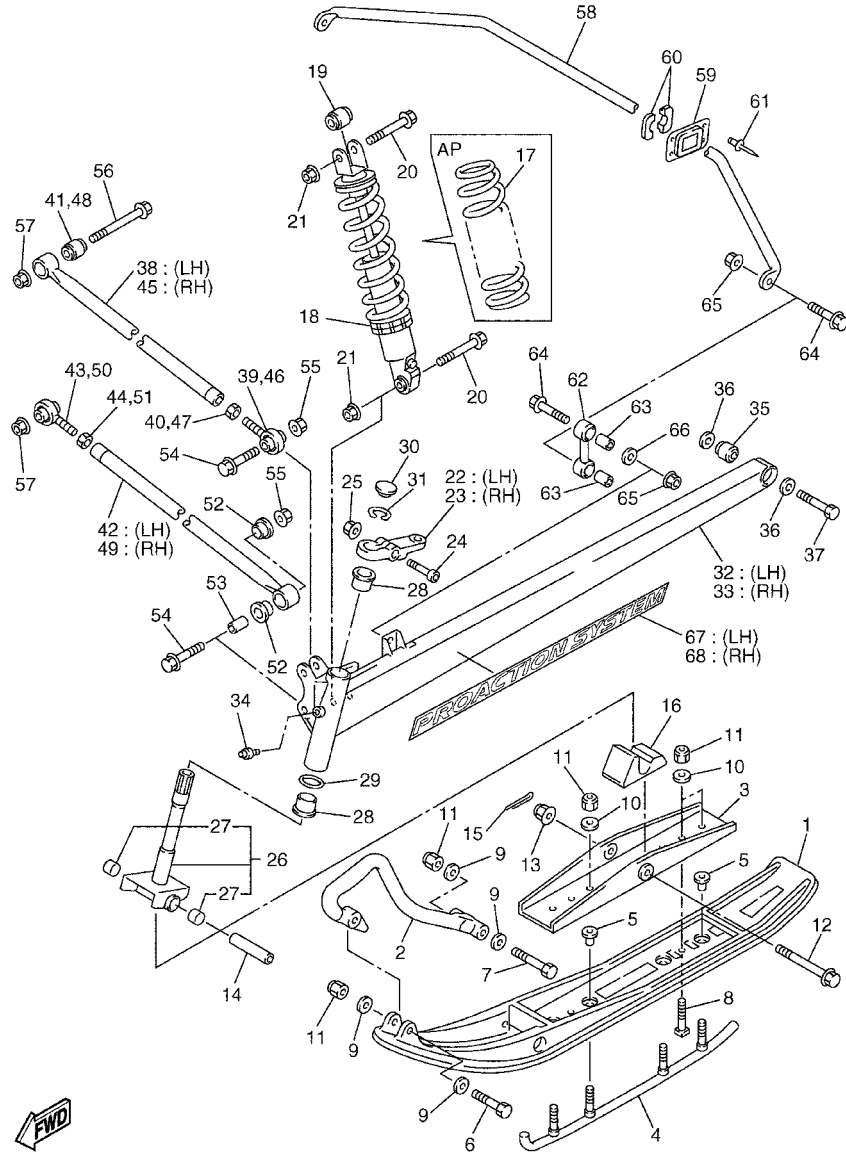


FIG. 16 SKI

REF. NO.	PART NO.	DESCRIPTION	8EK1	8EK2	REMARKS
41	8EK-23775-00	INSERT	1	1	
42	8EK-2384F-00	ARM, CONTROL 2	1	1	
43	8EK-23832-00	JOINT 3	1	1	
44	95314-14600	NUT	1	1	
45	8EK-2384E-00	ARM, CONTROL 1	1	1	
46	8EK-23823-00	JOINT 2	1	1	
47	95317-12600	NUT	1	1	
48	8EK-23775-00	INSERT	1	1	
49	8EK-2384F-00	ARM, CONTROL 2	1	1	
50	8EK-23832-00	JOINT 3	1	1	
51	95314-14600	NUT	1	1	
52	90381-17110	BUSH, SOLID	4	4	
53	90387-1009K	COLLAR	2	2	
54	90105-100A9	BOLT, FLANGE	4	4	
55	95607-10200	NUT, SELF-LOCKING	4	4	
56	90105-12010	BOLT, FLANGE	4	4	
57	95607-12200	NUT, SELF-LOCKING	4	4	
58	8CR-2386E-00	BAR, STABILIZER FRONT	1	1	
59	8CR-2386H-00	COVER, STABILIZER FRONT	2	2	
60	8CR-2386G-00	BUSH, STABILIZER FRONT	4	4	
61	90267-47186	RIVET, BLIND	6	6	
62	8DF-2385L-00	JOINT, STABILIZER 1	2	2	
63	90387-087L3	COLLAR	4	4	
64	90105-08345	BOLT, FLANGE	4	4	
65	95607-08200	NUT, SELF-LOCKING	4	4	
66	90201-086P8	WASHER, PLATE	2	2	
67	8EA-77371-30	EMBLEM 15	1	1	

D3

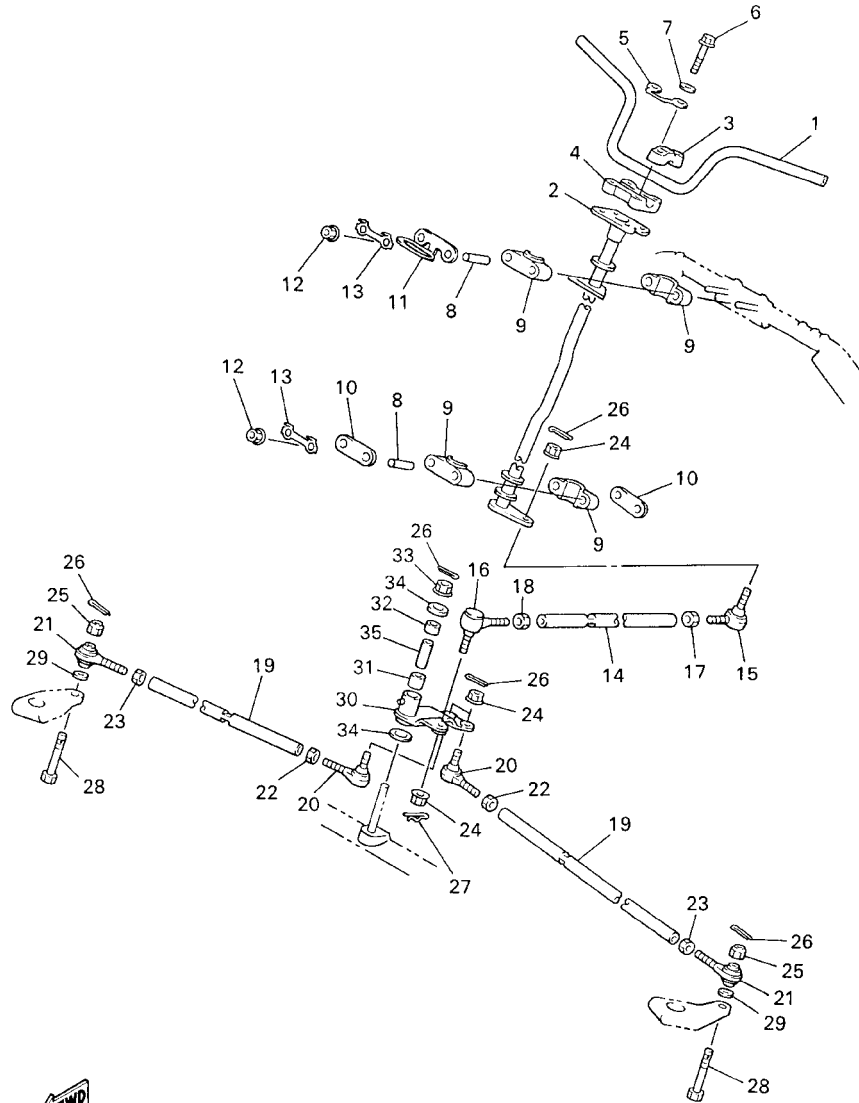


8EK1100-2160

FIG. 16 SKI

REF. NO.	PART NO.	DESCRIPTION	8EK1	8EK2	REMARKS
68	8EA-77372-30	EMBLEM 16	1	1	

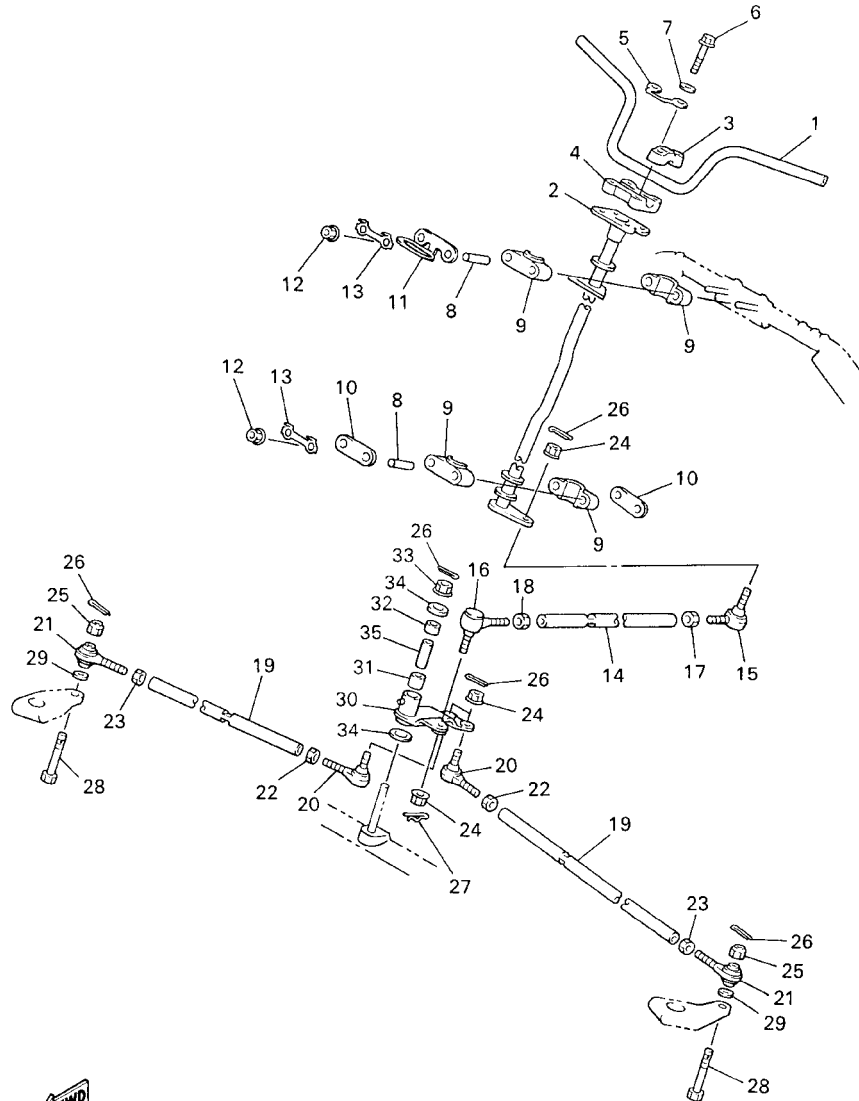
FIG. 17 STEERING



8EK1100-2170

REF. NO.	PART NO.	DESCRIPTION	8EK1	8EK2	REMARKS
1	8EK-26110-10	HANDLE COMP.	1	1	
2	8EG-23813-00	COLUMN, STEERING 2	1	1	
3	8K1-23814-00	HOLDER, HANDLE	2	2	
4	8ED-23442-00	HOLDER, HANDLE LOWER	1	1	
5	8DF-23857-00	HOLDER	1	1	
6	97027-08055	BOLT	4	4	
7	92907-08600	WASHER, PLATE	4	4	
8	90387-090R0	COLLAR	4	4	
9	8DF-23812-00	PLANE BEARING, STEERING	4	4	
10	8CR-23872-00	HOLDER, BEARING	2	2	
11	8CJ-23872-00	HOLDER, BEARING	1	1	
12	95707-08300	NUT, FLANGE	4	4	
13	1UY-23894-01	WASHER, LOCK 1	2	2	
14	8CR-23821-00	ROD, STEERING RELAY	1	1	
15	8CR-23845-00	JOINT, UNIVERSAL 2	1	1	
16	8CR-23847-00	JOINT, UNIVERSAL 3	1	1	
17	95307-10700	NUT	1	1	
18	90170-10186	NUT	1	1	(L.H. THREAD)
19	8CR-23831-00	ROD, TIE	2	2	
20	8CR-23845-00	JOINT, UNIVERSAL 2	2	2	
21	87S-23847-00	JOINT, UNIVERSAL 3	2	2	(L.H. THREAD)
22	95307-10700	NUT	2	2	
23	90170-10186	NUT	2	2	(L.H. THREAD)
24	95707-10500	NUT, FLANGE	4	4	
25	95707-10300	NUT, FLANGE	2	2	
26	91401-25020	PIN, COTTER	6	6	
27	90468-12006	CLIP	1	1	

FIG. 17 STEERING

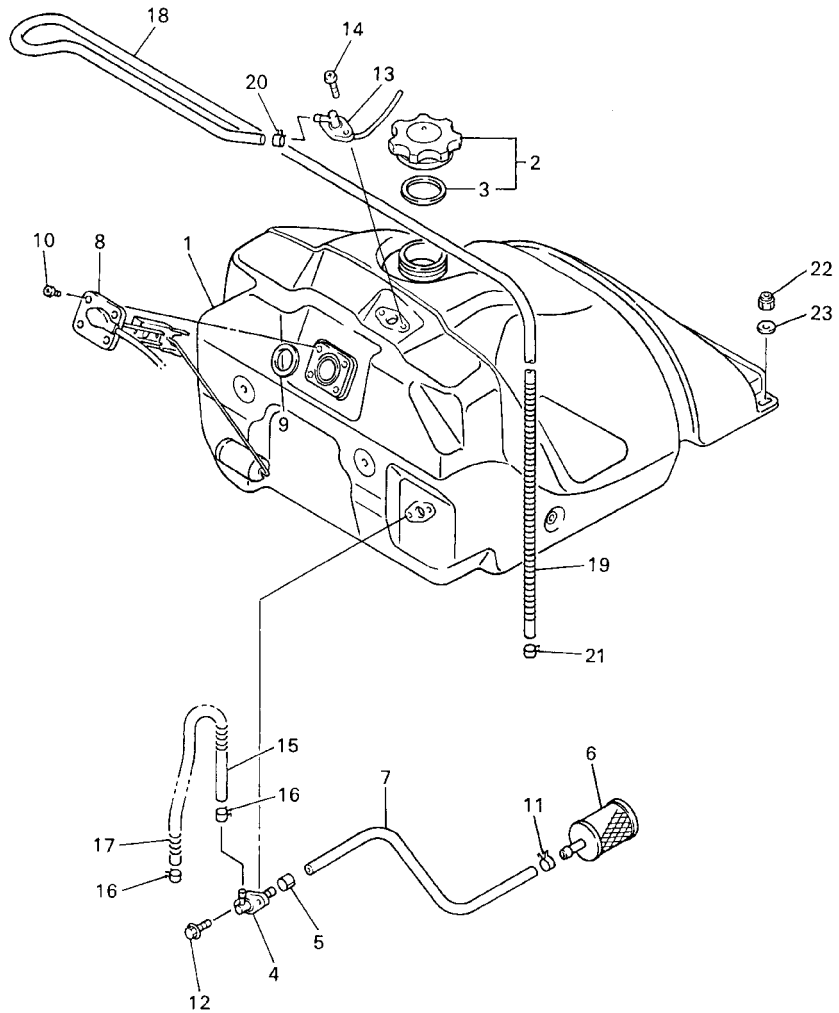


8EK1100-2170

REF. NO.	PART NO.	DESCRIPTION	8EK1	8EK2				REMARKS
28	90102-10044	BOLT, WITH HOLE	2	2				
29	90201-08759	WASHER, PLATE	2	2				
30	8EK-23826-00	ARM, IDLER	1	1				
31	93317-41767	BEARING	1	1				
32	93317-41785	BEARING	1	1				
33	95607-12200	NUT, SELF-LOCKING	1	1				
34	90201-121U3	WASHER, PLATE	2	2				
35	8DF-2412G-00	COLLAR	1	1				
-----								
-----								
-----								
-----								
-----								
-----								
-----								
-----								



FIG. 19 FUEL TANK

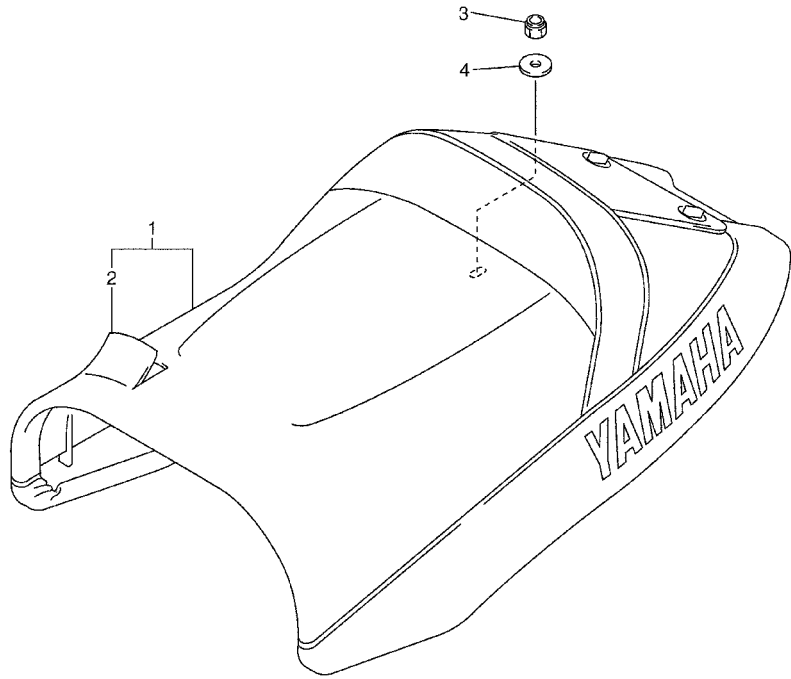


8EK1100-2190

REF. NO.	PART NO.	DESCRIPTION	8EK1	8EK2	REMARKS
1	8EK-24111-00	TANK, FUEL	1	1	
2	8CW-24610-00	CAP ASSY	1	1	
3	8CW-24612-00	.GASKET, CAP	1	1	
4	8CR-24301-00	SUCTION PIPE COMP. 1	1	1	
5	90468-04092	CLIP	1	1	
6	8H5-24560-00	FILTER ASSY	1	1	
7	8CR-24335-00	PIPE, SUCTION 1	1	1	
8	8CW-85752-00	SENDER UNIT ASSY, FUEL METER	1	1	
9	93210-41041	O-RING	1	1	
10	98907-05008	SCREW, BIND	4	4	
11	90467-11032	CLIP	1	1	
12	90105-060A6	BOLT, FLANGE	2	2	
13	8CR-2418A-00	BREATHER COMP.	1	1	
14	90149-06330	SCREW	2	2	
15	8CR-24311-10	PIPE, FUEL 1	1	1	
16	90467-11032	CLIP	2	2	
17	90501-08668	SPRING, COMPRESSION	1	1	
18	91A20-05115	TUBE, FLEXIBLE VINYL	1	1	
19	90501-08430	SPRING, COMPRESSION	1	1	
20	90468-02078	CLIP	1	1	
21	90467-09001	CLIP	1	1	
22	95707-08300	NUT, FLANGE	2	2	
23	90201-08784	WASHER, PLATE	2	2	

FIG. 20 SEAT

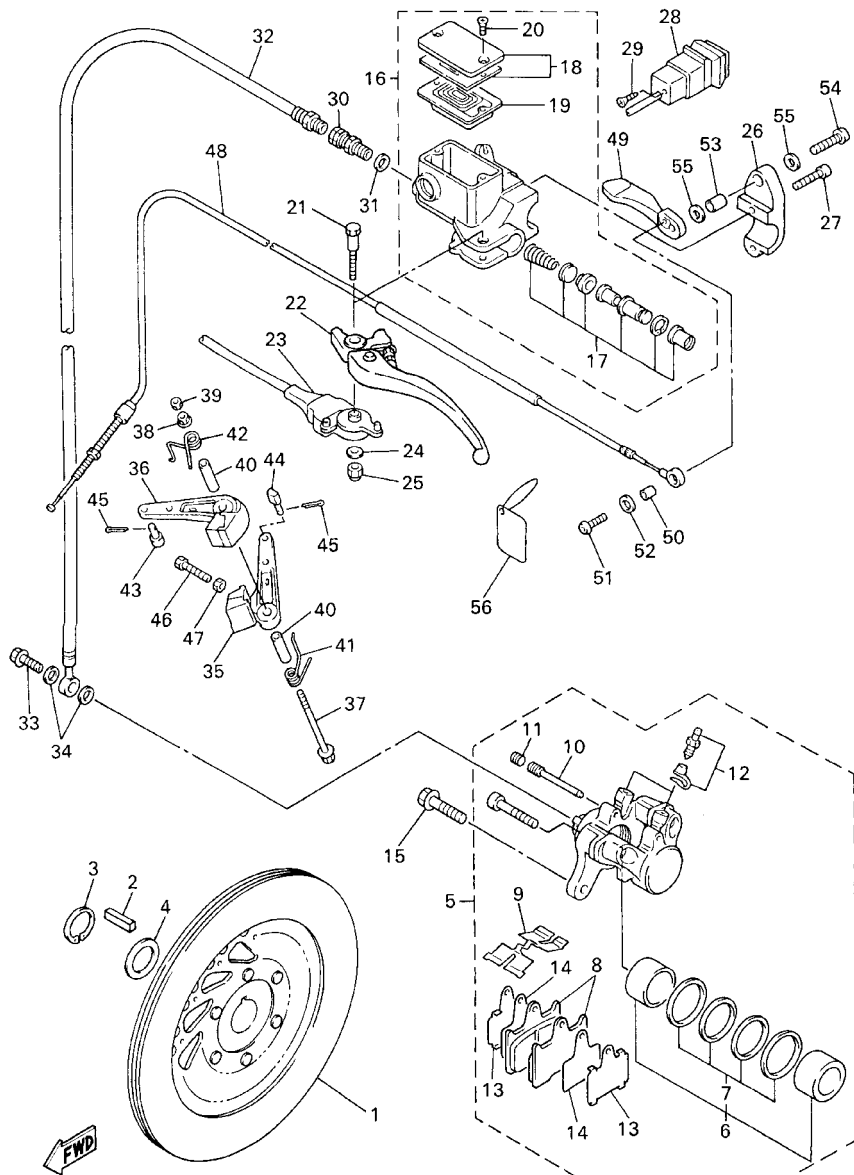
REF. NO.	PART NO.	DESCRIPTION	8EK1	8EK2				REMARKS
1	8EK-24710-00	SINGLE SEAT ASSY	1	1				
2	8EK-2470F-00	.COVER, SEAT	1	1				
3	95707-08300	NUT, FLANGE	2	2				
4	90201-086A3	WASHER, PLATE	2	2				



8EK1100-2200

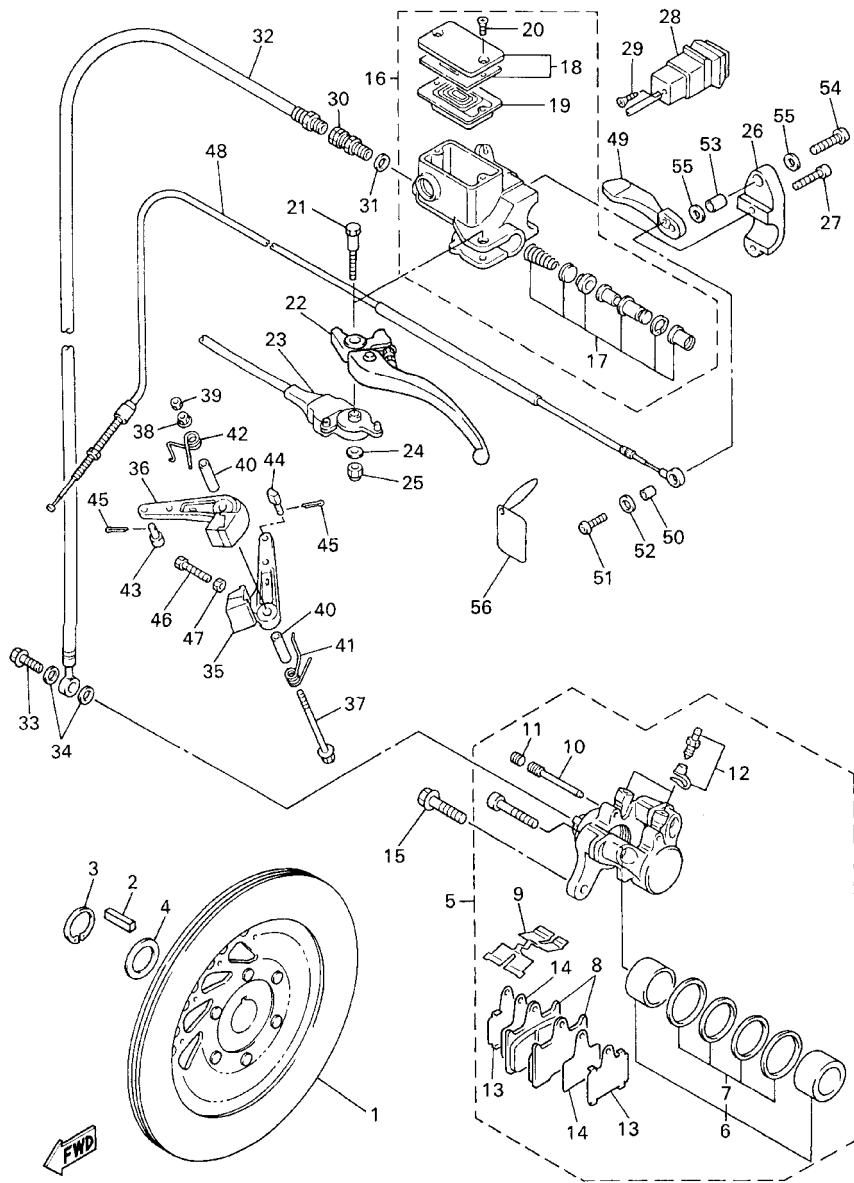


FIG. 21 BRAKE



REF. NO.	PART NO.	DESCRIPTION	8EK1	8EK2	REMARKS
1	8DN-2581T-00	DISC BRAKE ASSY	1	1	
2	90281-07004	KEY, SLIDING	1	1	
3	93410-27080	CIRCLIP	1	1	
4	90201-270U5	WASHER, PLATE	1	1	
5	8DF-2580T-01	CALIPER ASSY (LEFT)	1	1	
6	8CR-W0057-00	.PISTON ASSY, CALIPER	1	1	
7	8CR-W0047-00	..CALIPER SEAL KIT	1	1	
8	8DF-W0046-00	.BRAKE PAD KIT 2	1	1	
9	8CR-25919-00	.SUPPORT, PAD	1	1	
10	8CR-25924-00	.PIN, PAD	1	1	
11	8CR-25926-00	.BOLT	1	1	
12	8CR-W0048-00	.BLEED SCREW KIT	2	2	
13	8DF-2582F-00	.RETAINER	2	2	
14	8DF-25828-00	.SHIM, CALIPER	2	2	
15	90105-10634	BOLT, FLANGE	2	2	
16	8EK-W2587-00	MASTER CYLINDER SUB ASSY	1	1	
	8EK-W2587-10	MASTER CYLINDER SUB ASSY		1	FOR JPN
17	8CR-W0041-00	.CYLINDER KIT, MASTER	1	1	
18	8CR-W2585-00	.RESERVOIR CAP SET	1	1	
	3GM-W2585-21	.RESERVOIR CAP SET		1	FOR JPN
19	55U-25854-00	.DIAPHRAGM, RESERVOIR	1	1	
20	98706-04012	.SCREW, FLAT HEAD	2	2	
21	8CR-2589F-00	BOLT, LEVER	1	1	
22	8DN-83912-00	LEVER 1	1	1	
23	8CR-82530-01	STOP SWITCH ASSY	1	1	
24	8CR-8398X-00	WASHER, PLAIN	1	1	
25	95707-05300	NUT, FLANGE	1	1	

FIG. 21 BRAKE



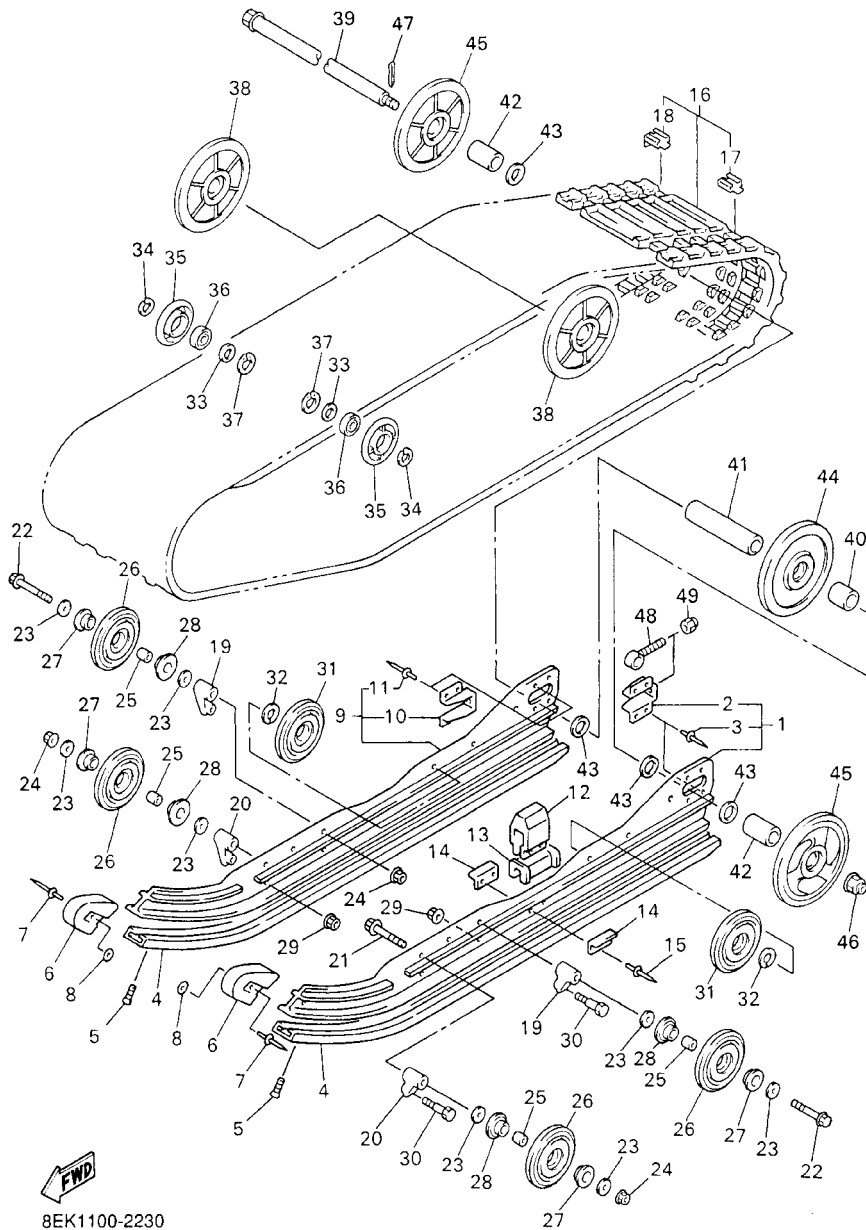
8EK1100-2210

REF. NO.	PART NO.	DESCRIPTION	8EK1	8EK2	REMARKS
26	8CR-25867-00	HOLDER, MASTER CYLINDER	1	1	
27	91316-06022	BOLT	2	2	
28	8EK-83950-00	BEAM SWITCH ASSY	1	1	
29	8CR-2589H-00	SCREW	1	1	
30	3LC-25885-00	JOINT	1	1	
31	90201-10118	WASHER, PLATE	1	1	
32	8ED-25872-00	HOSE, BRAKE 1	1	1	
33	90401-10159	BOLT, UNION	1	1	
34	90201-10118	WASHER, PLATE	2	2	
35	8CR-25730-00	CALIPER BODY COMP.1	1	1	
36	8CR-25740-00	CALIPER BODY COMP. 2	1	1	
37	90105-08094	BOLT, FLANGE	1	1	
38	95707-08500	NUT, FLANGE	1	1	
39	95307-08700	NUT	1	1	
40	90387-084R5	COLLAR	2	2	
41	90508-291B2	SPRING, TORSION	1	1	
42	90508-291B1	SPRING, TORSION	1	1	
43	90249-06009	PIN	1	1	
44	90249-06012	PIN	1	1	
45	91490-20015	PIN, COTTER	2	2	
46	90101-06288	BOLT	1	1	
47	95307-06700	NUT	1	1	
48	8ED-26351-00	CABLE, BRAKE	1	1	
49	8CR-83922-00	LEVER 2	1	1	
50	90387-06043	COLLAR	1	1	
51	92017-06014	BOLT, BUTTON HEAD	1	1	
52	90201-06050	WASHER, PLATE	1	1	





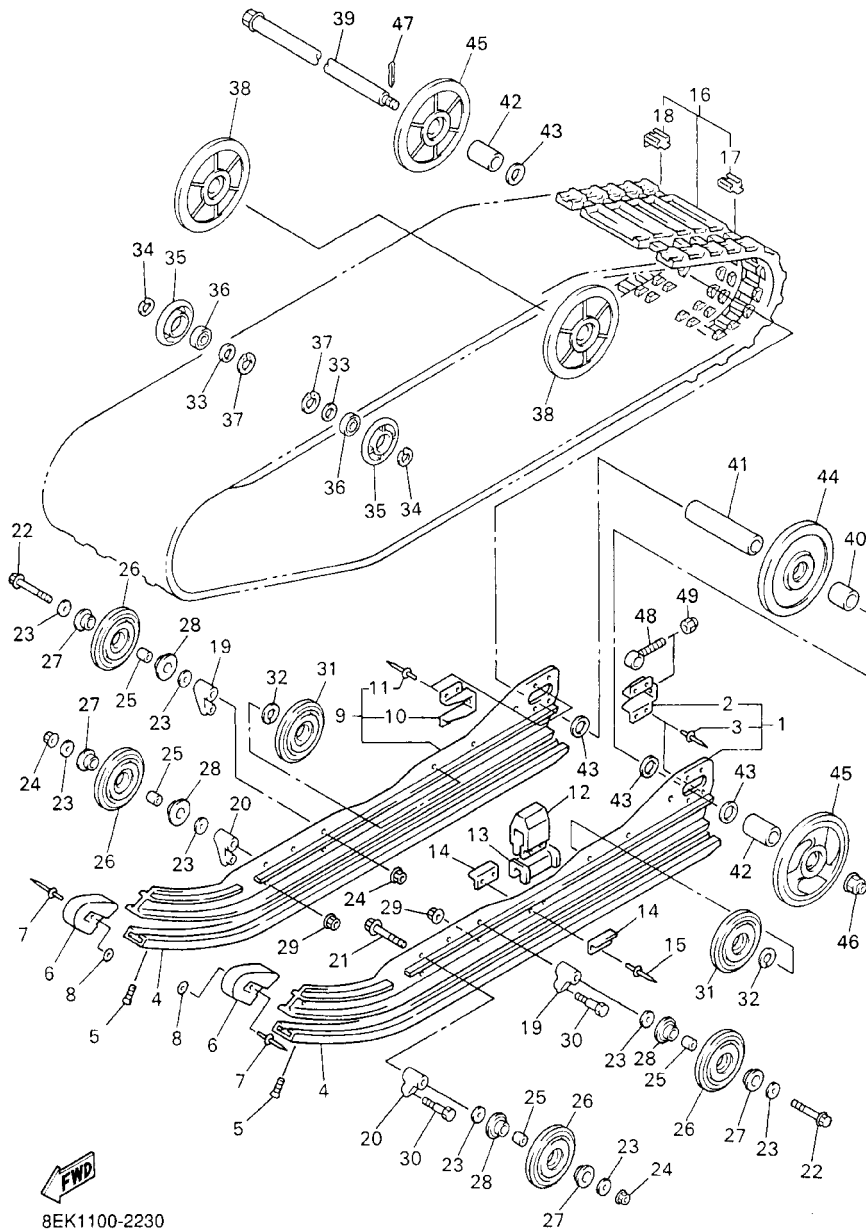
FIG. 23 TRACK SUSPENSION 1



8EK1100-2230

REF. NO.	PART NO.	DESCRIPTION	8EK1	8EK2	REMARKS
1	8EA-47411-00	FRAME, SLIDING 1	1	1	
2	8V0-4741B-00	.BRACKET	1	1	
3	8V0-47468-00	.RIVET	4	4	
4	8CM-47421-40	RUNNER, SLIDING 1	2	2	
5	90151-06010	SCREW, COUNTERSUNK	2	2	
6	8CM-47422-10	RUNNER, SLIDING 2	2	2	
7	90267-48194	RIVET, BLIND	2	2	
8	90201-047R8	WASHER, PLATE	2	2	
9	8EA-47412-00	FRAME, SLIDING 2	1	1	
10	8V0-4741B-00	.BRACKET	1	1	
11	8V0-47468-00	.RIVET	4	4	
12	8CM-47457-00	DAMPER 2	2	2	
13	8CM-47341-00	SPACER	2	2	
14	8AX-47458-00	PLATE, DAMPER	4	4	
15	90267-48199	RIVET, BLIND	4	4	
16	8EK-47110-00	TRACK ASSY	1		
	8DN-47110-01	TRACK ASSY		1	
17	8EA-47113-00	.PLATE, REINFORCEMENT	48	48	
18	8EA-47115-30	.METAL, SLIDE	48	48	
19	8DF-47419-00	BRACKET 7	2	2	
20	8DF-47419-10	BRACKET 7	2	2	
21	90105-10392	BOLT, FLANGE	2	2	
22	95817-10085	BOLT, FLANGE	2	2	
23	90201-100S0	WASHER, PLATE	8	8	
24	95607-10200	NUT, SELF-LOCKING	4	4	
25	90387-10079	COLLAR	4	4	
26	8CR-47310-10	SUSPENSION WHEEL ASSY	4	4	

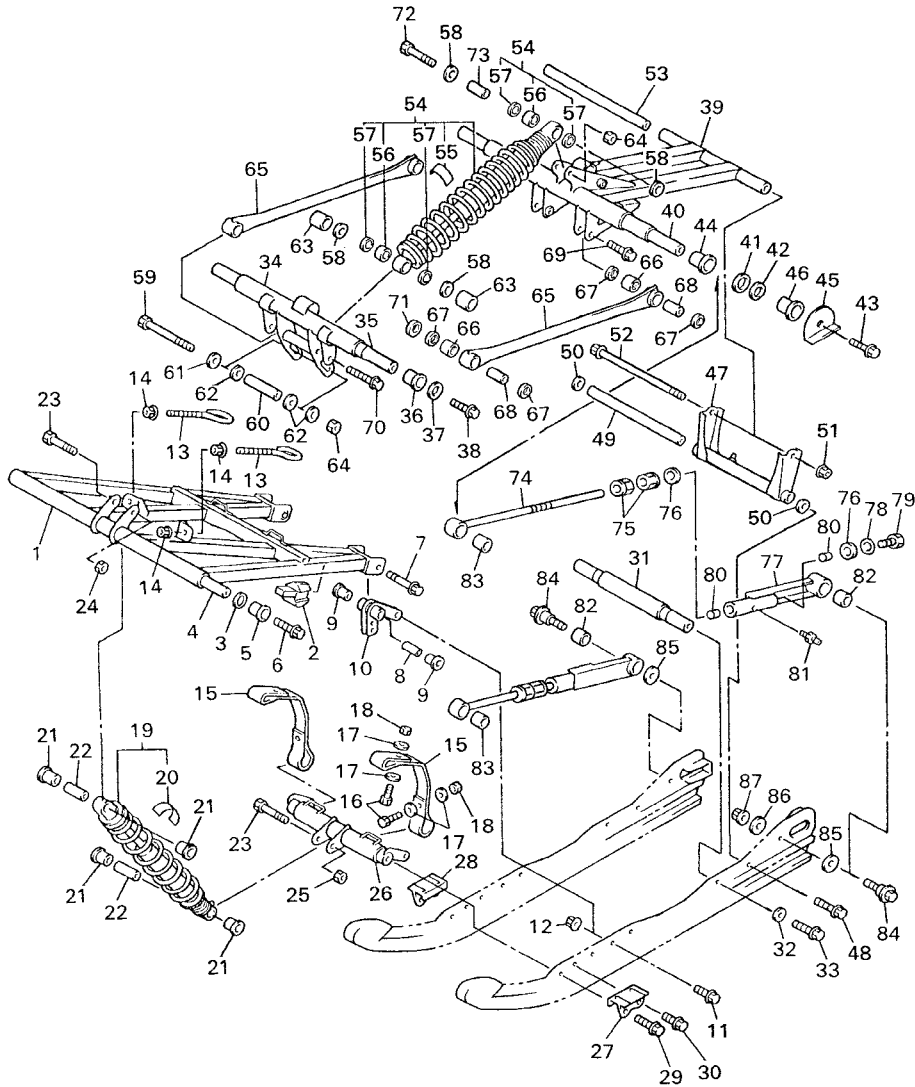
FIG. 23 TRACK SUSPENSION 1



8EK1100-2230

REF. NO.	PART NO.	DESCRIPTION	8EK1	8EK2				REMARKS
27	8CR-47341-01	SPACER	4	4				
28	8CR-47341-11	SPACER	4	4				
29	95607-08200	NUT, SELF-LOCKING	4	4				
30	90101-08774	BOLT	4	4				
31	8CR-47310-10	SUSPENSION WHEEL ASSY	2	2				
32	99009-25400	CIRCLIP	2	2				
33	90387-2004V	COLLAR	2	2				
34	99009-20400	CIRCLIP	2	2				
35	8H8-47320-00	SUSPENSION WHEEL COMP.	2	2				
36	93306-00444	BEARING	2	2				
37	99009-42500	CIRCLIP	2	2				
38	8EK-47550-00	GUIDE WHEEL ASSY	2	2				
39	8L8-47520-02	REAR AXLE COMP.	1	1				
40	90387-2012E	COLLAR	1	1				
41	90387-2012C	COLLAR	1	1				
42	90387-2012D	COLLAR	2	2				
43	90201-205R6	WASHER, PLATE	4	4				
44	8CR-47550-10	GUIDE WHEEL ASSY	1	1				
45	8EK-47550-10	GUIDE WHEEL ASSY	2	2				
46	95607-14200	NUT, SELF-LOCKING	1	1				
47	91401-30025	PIN, COTTER	1	1				
48	8K2-47479-01	COLLAR 3	2	2				
49	95707-10300	NUT, FLANGE	2	2				

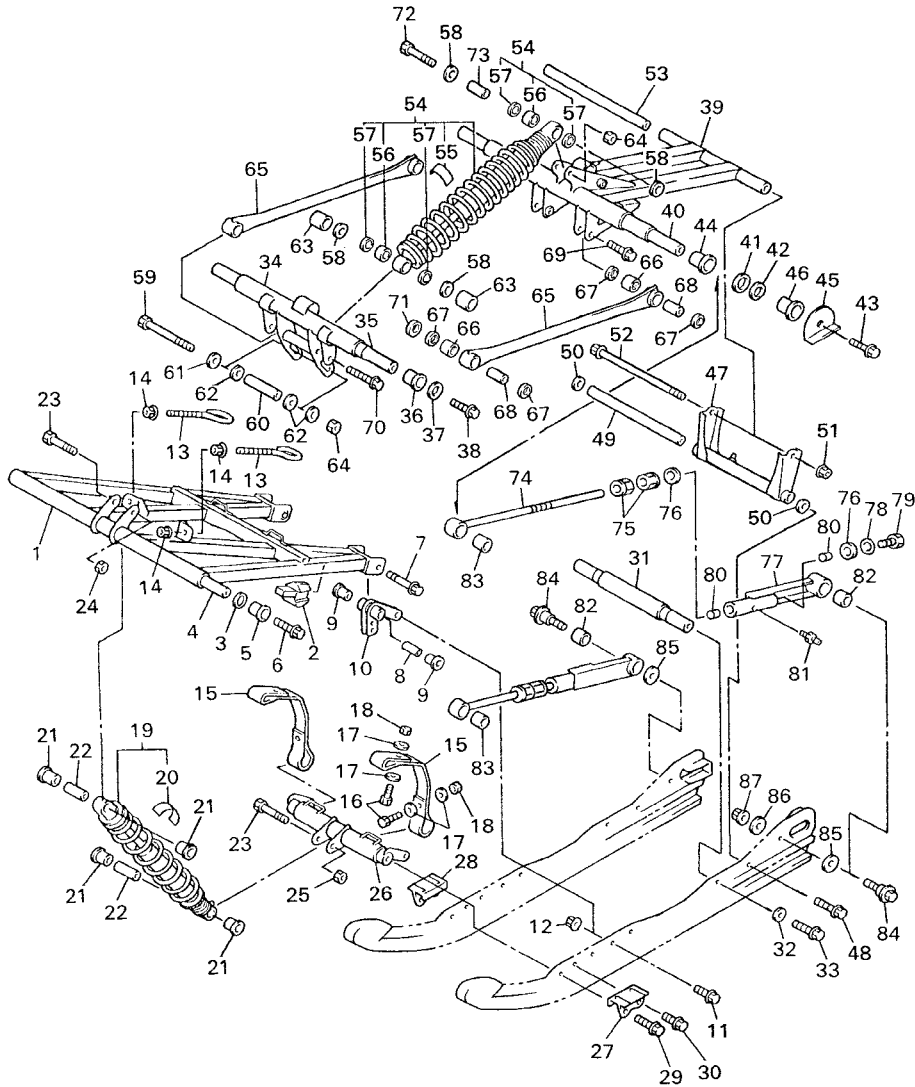
FIG. 24 TRACK SUSPENSION 2



8EK1100-2240

REF. NO.	PART NO.	DESCRIPTION	8EK1	8EK2	REMARKS
1	8CV-47331-01	ARM, PIVOT 1	1	1	
2	8DF-47456-10	DAMPER 1	2	2	
3	90201-210U0	WASHER, PLATE	2	2	
4	8CR-47465-00	SHAFT 1	1	1	
5	90381-19111	BUSH, SOLID	2	2	
6	90105-103A1	BOLT, FLANGE	2	2	
7	90105-10769	BOLT, FLANGE	2	2	
8	90387-1009T	COLLAR	2	2	
9	90381-15112	BUSH, SOLID	4	4	
10	8CR-47415-00	BRACKET 1	2	2	
11	95817-10025	BOLT, FLANGE	2	2	
12	95607-10200	NUT, SELF-LOCKING	2	2	
13	8CR-47448-00	HOOK 3	2	2	
14	95707-08500	NUT, FLANGE	4	4	
15	8CR-47495-00	STOPPER 1	2	2	
16	97007-06025	BOLT	4	4	
17	90201-06747	WASHER, PLATE	8	8	
18	95707-06300	NUT, FLANGE	4	4	
19	8EK-47481-00	SHOCK ABSORBER 2	1		
	8EK-47481-10	SHOCK ABSORBER 2		1	
	8EK-47481-20	SHOCK ABSORBER 2	1		FOR JPN
20	4AA-22259-60	.LABEL, WARNING	1		
	4AA-22259-40	.LABEL, WARNING		1	
	4AA-22259-50	.LABEL, WARNING	1		FOR JPN
21	90381-14101	BUSH, SOLID	4	4	
22	90387-105G5	COLLAR	2	2	
23	90101-10738	BOLT	2	2	

FIG. 24 TRACK SUSPENSION 2

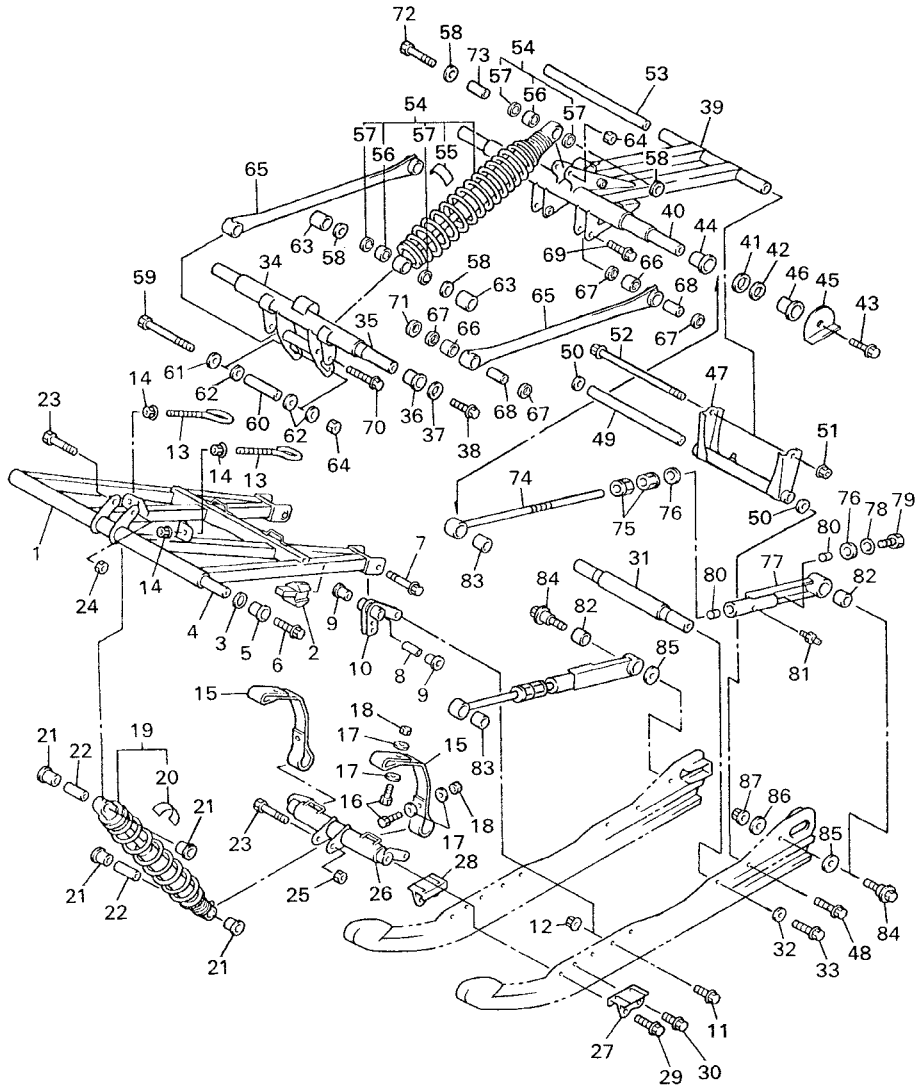


8EK1100-2240

REF. NO.	PART NO.	DESCRIPTION	8EK1	8EK2	REMARKS
24	90185-10110	NUT, SELF-LOCKING	1	1	
25	95607-10100	NUT, U	1	1	
26	8EA-47418-00	BRACKET 4	1	1	
27	8DF-47463-01	BRACKET 5	1	1	
28	8DF-47464-01	BRACKET 6	1	1	
29	90105-10433	BOLT, FLANGE	2	2	
30	90105-08450	BOLT, FLANGE	2	2	
31	8CR-47486-00	SHAFT 4	1	1	
32	90201-100L3	WASHER, PLATE	2	2	
33	90105-10433	BOLT, FLANGE	2	2	
34	8CR-47416-10	BRACKET 2	1	1	
35	8CR-47488-00	SHAFT 6	1	1	
36	90381-22099	BUSH, SOLID	2	2	
37	90201-207J5	WASHER, PLATE	2	2	
38	90105-103A1	BOLT, FLANGE	2	2	
39	8CR-47332-10	ARM, PIVOT 2	1	1	
40	8CR-47475-00	SHAFT 2	1	1	
41	90201-251G8	WASHER, PLATE	2	2	
42	90201-250T6	WASHER, PLATE	2	2	
43	90105-103A1	BOLT, FLANGE	2	2	
44	90381-28108	BUSH, SOLID	2	2	
45	8CR-47426-21	BRACKET, REAR 1	2	2	
46	8CR-47425-00	BRACKET, REAR 2	2	2	
47	8CR-47417-01	BRACKET 3	1	1	
48	90105-10433	BOLT, FLANGE	2	2	
49	82M-47485-02	SHAFT 3	1	1	
50	90201-10136	WASHER, PLATE	2	2	

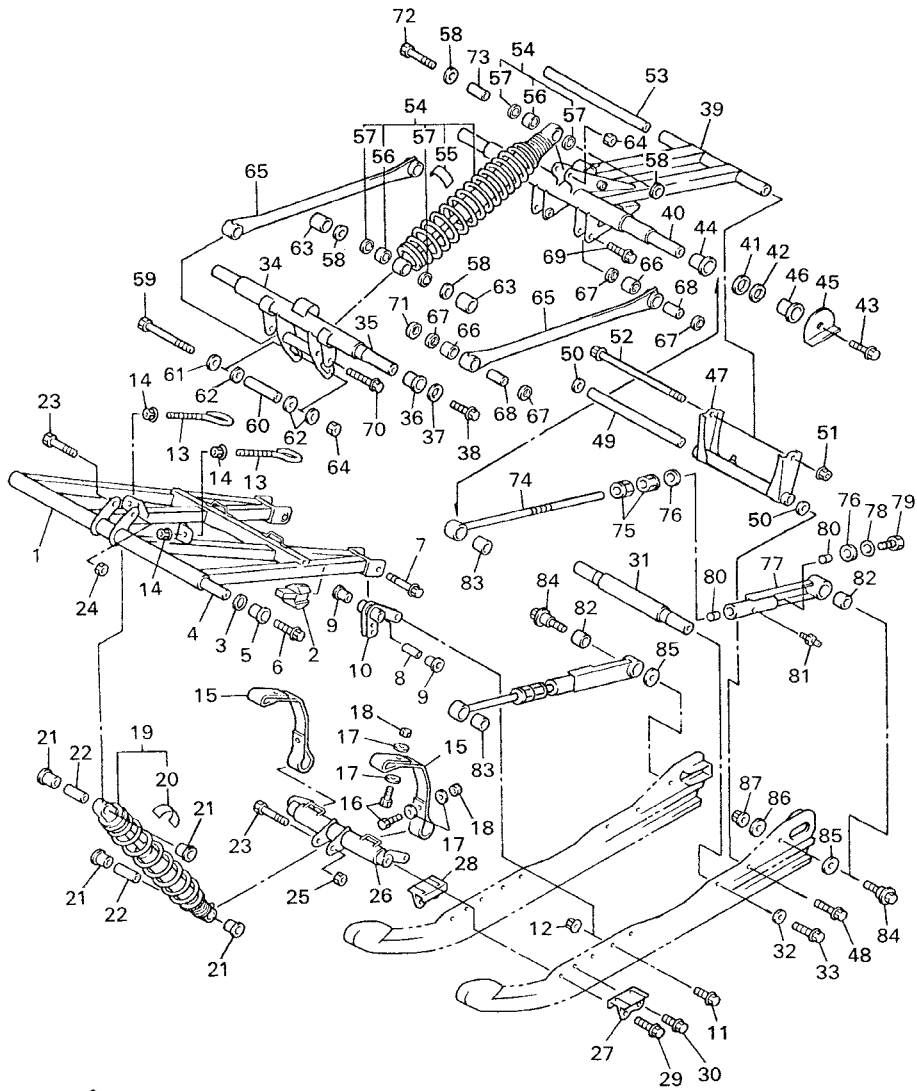


FIG. 24 TRACK SUSPENSION 2



8EK1100-2240

REF. NO.	PART NO.	DESCRIPTION	8EK1	8EK2	REMARKS
51	95607-08200	NUT, SELF-LOCKING	1	1	
52	95827-08220	BOLT, FLANGE	1	1	
53	90387-083G6	COLLAR	1	1	
54	8CH-47480-40	SHOCK ABSORBER	1		
	8CH-47480-50	SHOCK ABSORBER		1	
	8CH-47480-60	SHOCK ABSORBER		1	FOR JPN
55	4AA-22259-60	.LABEL, WARNING	1		
	4AA-22259-40	.LABEL, WARNING		1	
	4AA-22259-50	.LABEL, WARNING		1	FOR JPN
56	93315-21454	.BEARING	2	2	
57	93109-14021	.OIL SEAL	4	4	
58	90202-14226	WASHER, PLATE	4	4	
59	8AC-4631K-00	BOLT, ADJUSTING	1	1	
60	90387-1009S	COLLAR	1	1	
61	90201-103U4	WASHER, PLATE	1	1	
62	90201-100U1	WASHER, PLATE	3	3	
63	90387-1404R	COLLAR	2	2	
64	95607-10100	NUT, U	2	2	
65	8CX-47494-01	ROD, RELAY	2	2	
66	93315-21455	BEARING	4	4	
67	93109-14021	OIL SEAL	8	8	
68	90387-1007M	COLLAR	4	4	
69	90105-10739	BOLT, FLANGE	2	2	
70	90105-10436	BOLT, FLANGE	2	2	
71	90201-100U1	WASHER, PLATE	2	2	
72	90101-10738	BOLT	1	1	
73	90387-1007N	COLLAR	1	1	

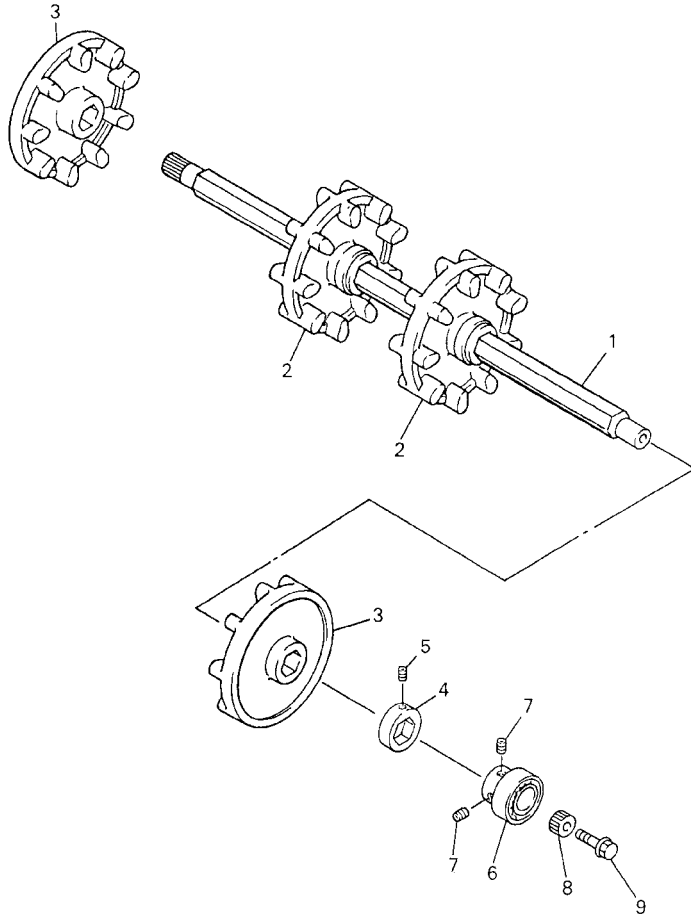


8EK1100-2240

FIG. 24 TRACK SUSPENSION 2

REF. NO.	PART NO.	DESCRIPTION	8EK1	8EK2	REMARKS
74	8EK-4745A-00	ROD, CONTROL 1	2	2	
75	8EK-4745C-00	ROD, CONTROL 3	4	4	
76	90202-16229	WASHER, PLATE	4	4	
77	8CR-4745B-00	ROD, CONTROL 2	2	2	
78	90201-106F2	WASHER, PLATE	2	2	
79	97027-10025	BOLT	2	2	
80	90384-16251	BUSH, BIMETAL FORMED	4	4	
81	93700-06004	NIPPLE, GREASE	2	2	
82	90380-22232	BUSH, SOLID	2	2	
83	90380-28235	BUSH, SOLID	2	2	
84	8DF-47367-00	SCREW, REAR PIVOT	2	2	
85	90201-100S2	WASHER, PLATE	2	2	
86	90201-101U2	WASHER, PLATE	2	2	
87	95607-10200	NUT, SELF-LOCKING	2	2	

FIG. 25 TRACK DRIVE 1

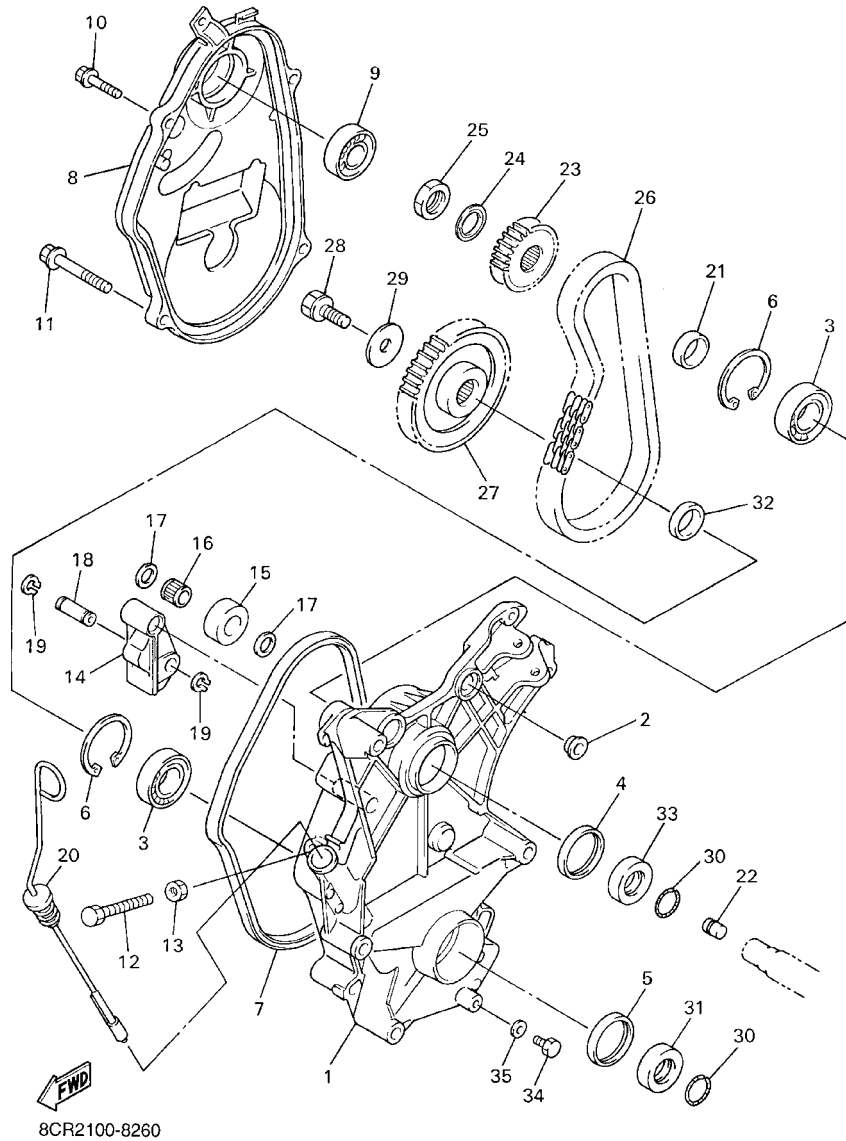


REF. NO.	PART NO.	DESCRIPTION	8EK1	8EK2				REMARKS
1	8EK-47511-00	AXLE, FRONT	1	1				
2	8BW-47531-00	WHEEL, SPROCKET 1	2	2				
3	8BW-47532-10	WHEEL, SPROCKET 2	2	2				
4	8BW-47526-00	COLLAR	2	2				
5	90113-06039	BOLT, SET	2	2				
6	93306-20589	BEARING	1	1				
7	90113-06064	BOLT, SET	2	2				
8	8EK-47715-00	JOINT	1	1				
9	90105-105A0	BOLT, FLANGE	1	1				



8EK1100-2250

FIG. 26 TRACK DRIVE 2



REF. NO.	PART NO.	DESCRIPTION	8EK1	8EK2	REMARKS
1	8CR-47541-01	HOUSING, CHAIN	1	1	
2	90179-10679	NUT	2	2	
3	93306-20592	BEARING	2	2	
4	93102-35473	OIL SEAL	1	1	
5	93102-35318	OIL SEAL	1	1	
6	99009-52500	CIRCLIP	2	2	
7	8CR-47558-01	RING, HOUSING	1	1	
8	8CR-47543-01	CAP, HOUSING	1	1	
9	93306-20402	BEARING (B6204JRC3)	1	1	
10	95827-08030	BOLT, FLANGE	4	4	
11	95827-10060	BOLT, FLANGE	3	3	
12	90101-10357	BOLT	1	1	
13	95307-10600	NUT	1	1	
14	8CR-47613-00	HOLDER	1	1	
15	8CR-47612-00	WHEEL	1	1	
16	93315-21227	BEARING	1	1	
17	90201-127E1	WASHER, PLATE	2	2	
18	90249-12227	PIN	1	1	
19	99009-12400	CIRCLIP	2	2	
20	8CR-47546-00	LEVEL, OIL	1	1	
21	90387-2508D	COLLAR	1	1	
22	82M-17699-00	PLUG, OIL	1	1	
23	8DW-17682-20	SPROCKET, CHAIN DRIVE (22T)	1	1	
24	90208-22001	WASHER, CONICAL SPRING	1	1	
25	90170-22094	NUT	1	1	
26	94890-09068	CHAIN (68L)	1	1	
27	8DW-47587-80	SPROCKET, CHAIN DRIVEN (38T)	1	1	

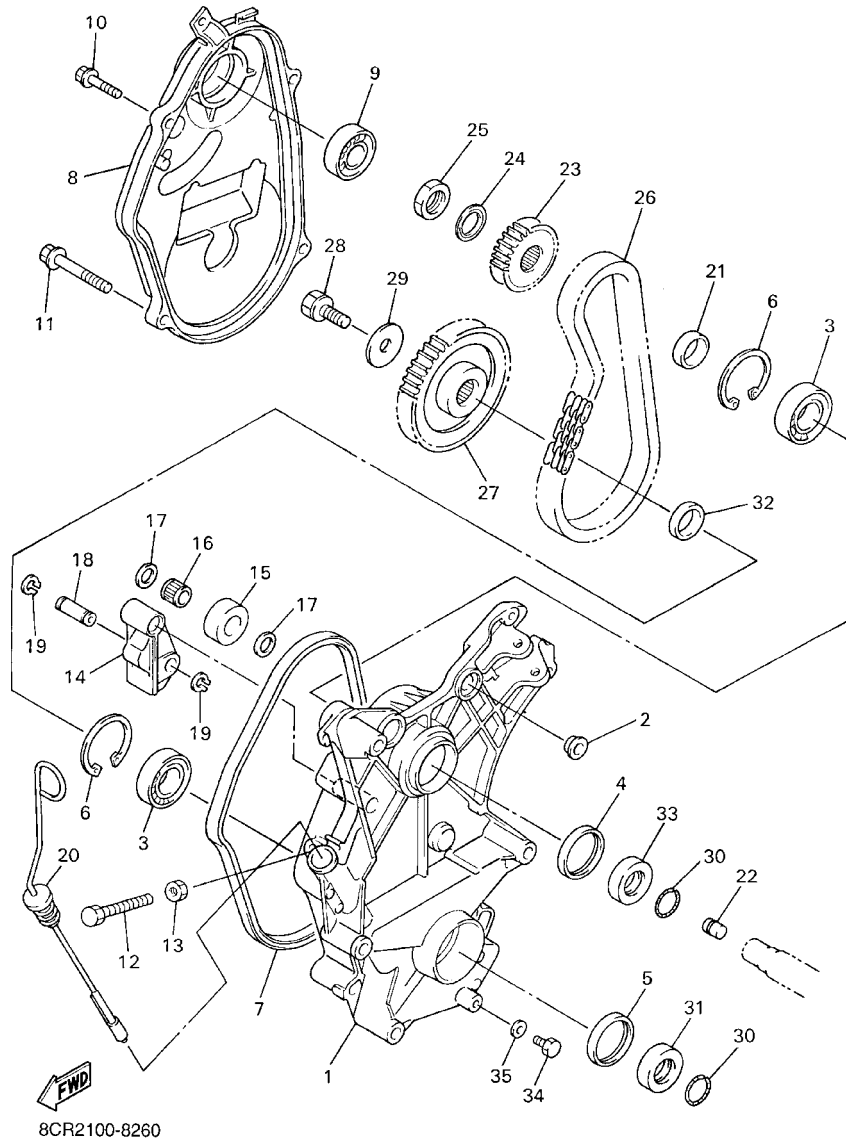
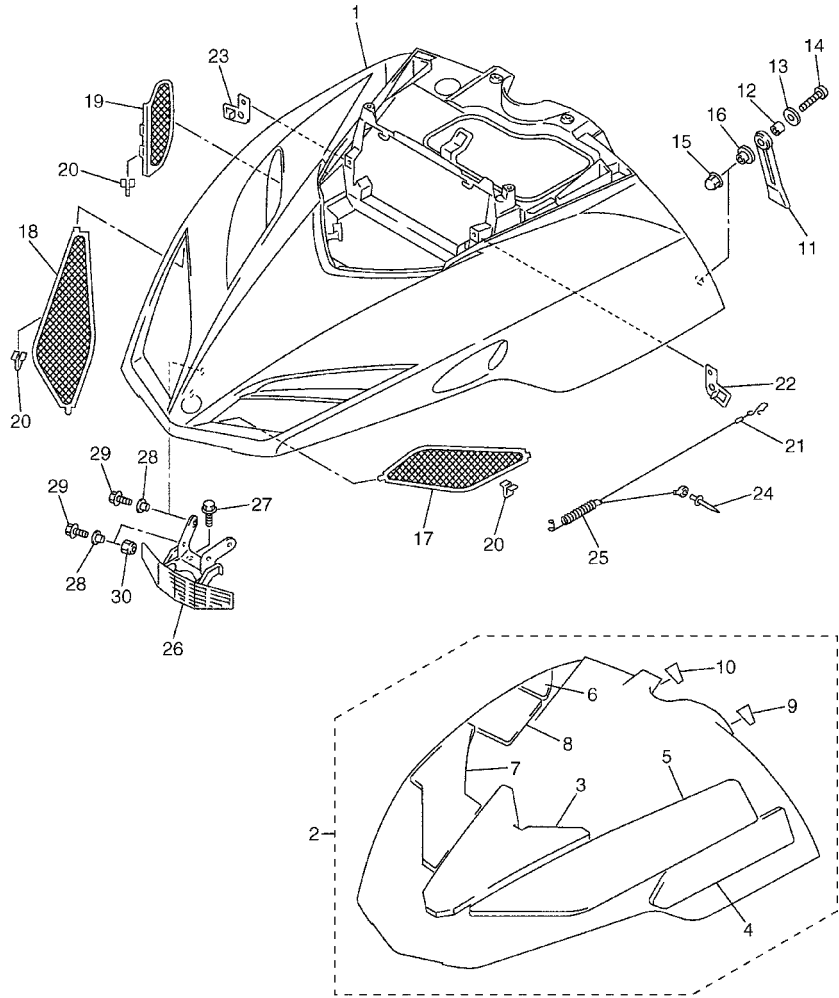


FIG. 26 TRACK DRIVE 2

REF. NO.	PART NO.	DESCRIPTION	8EK1	8EK2	REMARKS
28	90105-10751	BOLT, FLANGE	1	1	
29	90201-10321	WASHER, PLATE	1	1	
30	93210-25071	O-RING	2	2	
31	90387-2508C	COLLAR	1	1	
32	90387-2508B	COLLAR	1	1	
33	90387-2511J	COLLAR	1	1	
34	97007-08014	BOLT	1	1	
35	90210-08017	WASHER, SEAL	1	1	

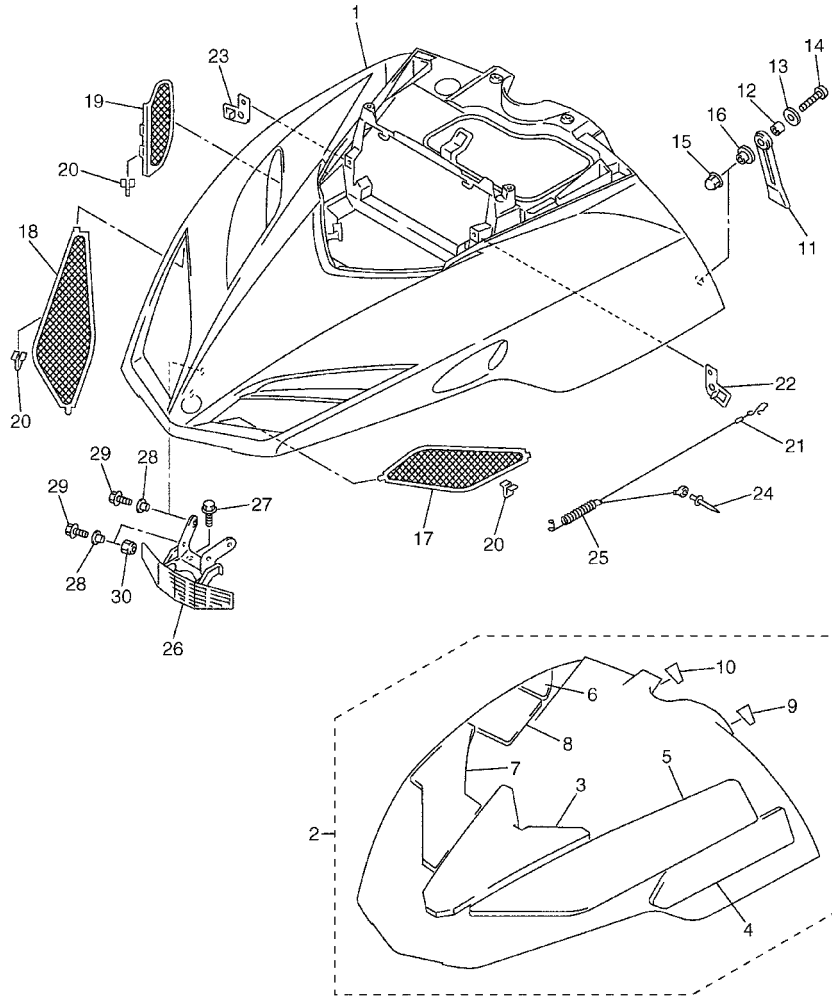
FIG. 27 SHROUD



8EK1100-2270

REF. NO.	PART NO.	DESCRIPTION	8EK1	8EK2	REMARKS
1	8EK-77111-00	SHROUD	1	1	
2	8EK-W7726-00	LINING SET	1	1	
3	8EK-77271-00	.DAMPER, NOISE 11	1	1	
4	8EK-77273-00	.DAMPER, NOISE 13	1	1	
5	8EK-77274-00	.DAMPER, NOISE 14	1	1	
6	8EK-77275-00	.DAMPER, NOISE 15	1	1	
7	8EK-77276-00	.DAMPER, NOISE 16	1	1	
8	8EK-77278-00	.DAMPER, NOISE 18	1	1	
9	8EK-77196-00	.DAMPER, SHROUD	1	1	
10	8EK-77199-00	.DAMPER 2	1	1	
11	8V0-77171-00	BODY, LATCH 1	2	2	
12	90387-06241	COLLAR	2	2	
13	90201-06557	WASHER, PLATE	2	2	
14	90154-06078	SCREW, BINDING	2	2	
15	90176-06055	NUT, CROWN	2	2	
16	90387-062M9	COLLAR	2	2	
17	8EK-77131-00	LOUVER 1	1	1	
18	8EK-77132-00	LOUVER 2	1	1	
19	8EK-77133-00	LOUVER 3	1	1	
20	90468-06001	CLIP	6	6	
21	8EK-77118-00	STOPPER, SHROUD	2	2	
22	8EK-77125-00	STAY 1	1	1	
23	8EK-77126-00	STAY 2	1	1	
24	90267-48018	RIVET, BLIND	2	2	
25	89A-77159-00	CLAMP, ROD	2	2	
26	8EK-77140-00	HINGE ASSY	1	1	
27	95807-06016	BOLT, FLANGE	2	2	

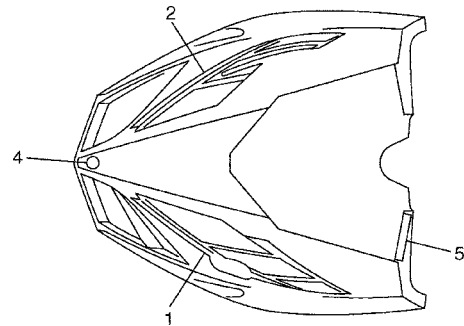
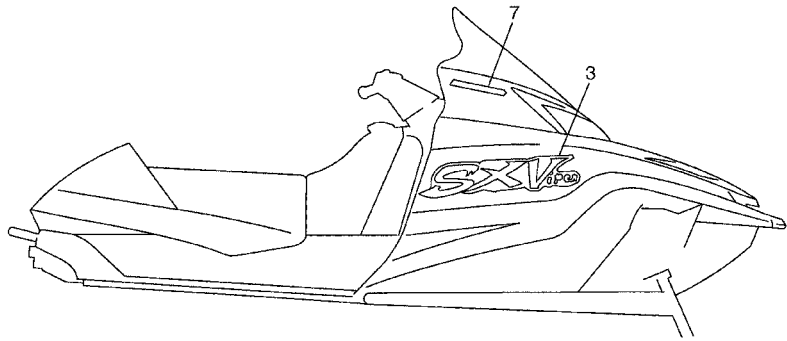
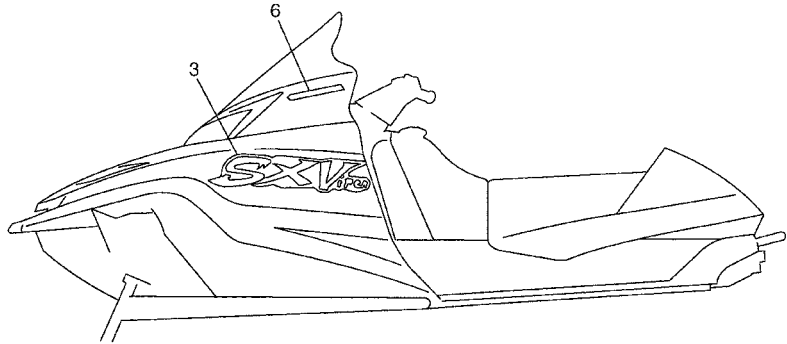
FIG. 27 SHROUD



REF. NO.	PART NO.	DESCRIPTION	8EK1	8EK2				REMARKS
28	90387-06681	COLLAR	4	4				
29	95807-06016	BOLT, FLANGE	4	4				
30	95607-06100	NUT, U	2	2				
-----								
-----								
-----								
-----								
-----								
-----								
-----								
-----								
-----								
-----								

 8EK1100-2270

FIG. 28 EMBLEM

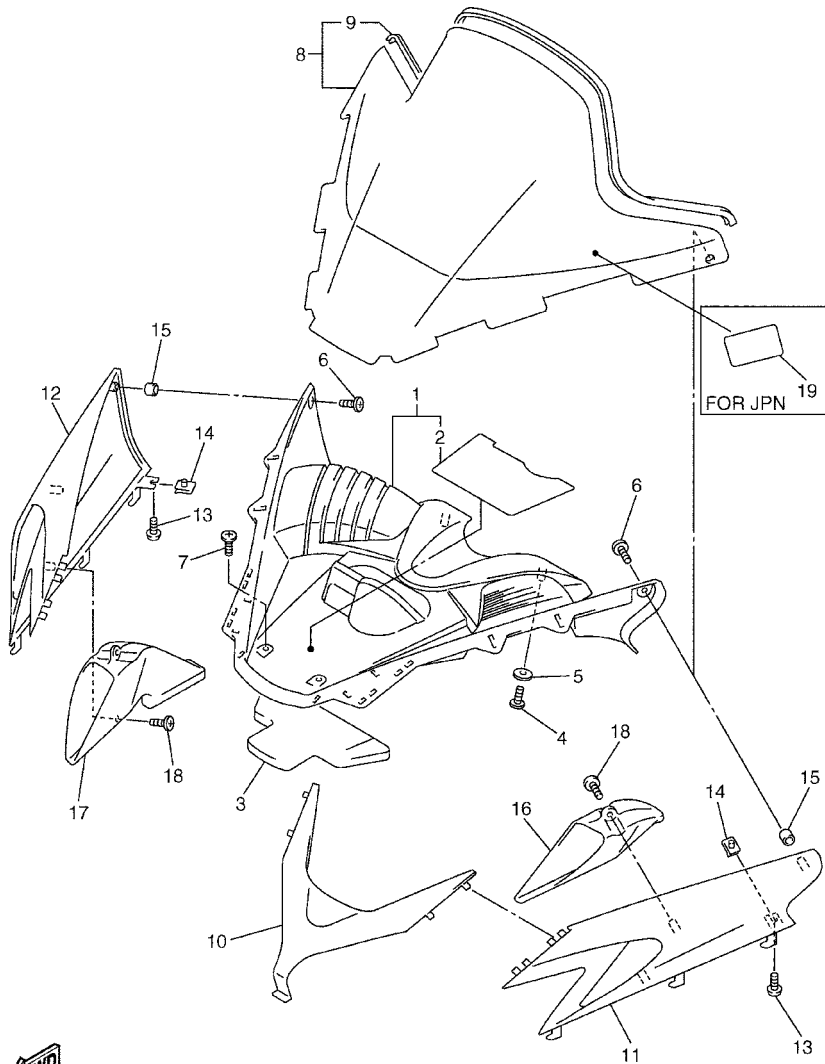


REF. NO.	PART NO.	DESCRIPTION	8EK1	8EK2	REMARKS
1	8EK-7711A-00	GRAPHIC 1	1	1	
2	8EK-7711B-00	GRAPHIC 2	1	1	
3	8EK-77141-00	EMBLEM 1	2	2	
4	8AC-2414B-01	EMBLEM	1	1	
5	8EK-77761-E0	LABEL, WARNING 1	1		FOR USA/CAN
	8EK-77761-S0	LABEL, WARNING 1		1	FOR EUR
	8EK-77761-J0	LABEL, WARNING 1		1	FOR JPN
6	8EK-77351-00	EMBLEM 1	1	1	
7	8EK-77352-00	EMBLEM 2	1	1	

8EK1100-2280



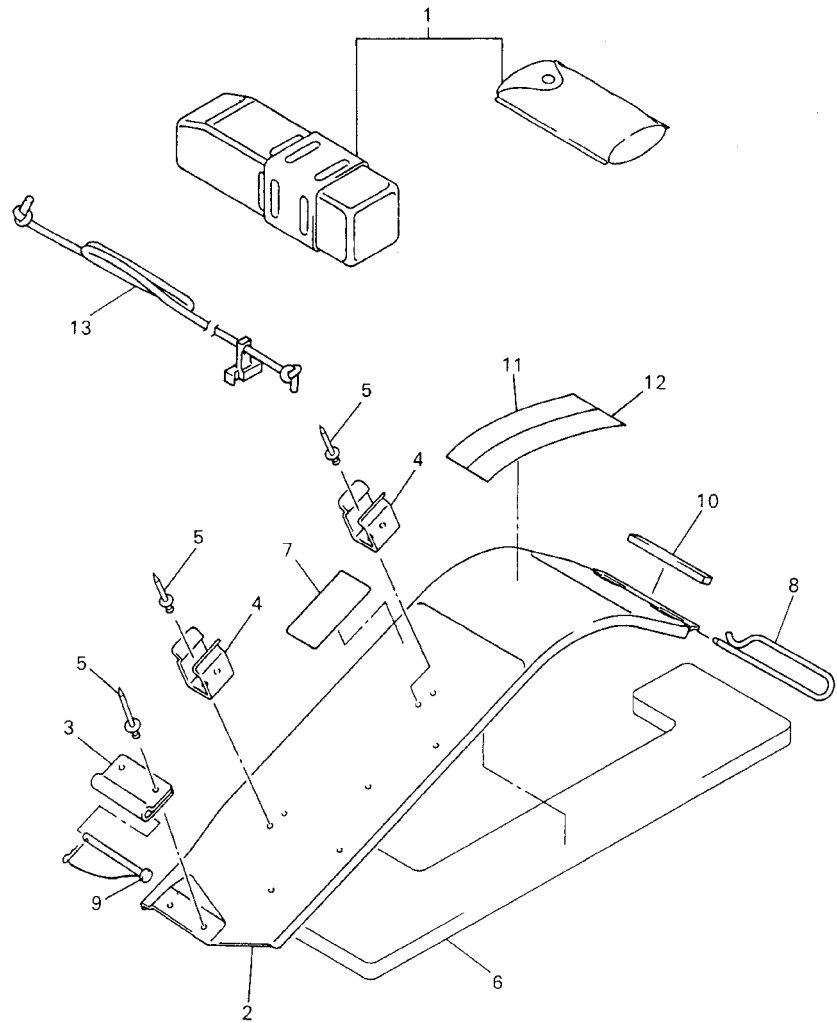
FIG. 29 WINDSHIELD



REF. NO.	PART NO.	DESCRIPTION	8EK1	8EK2	REMARKS
1	8EK-W7725-00	COVER, HEADLIGHT	1	1	
2	8EK-77198-00	.DAMPER 1	1	1	
3	8EK-77277-00	DAMPER, NOISE 17	1	1	
4	90167-05078	SCREW, TAPPING	2	2	
5	90201-05029	WASHER, PLATE	2	2	
6	90167-05079	SCREW, TAPPING	2	2	
7	98907-06014	SCREW, BIND	2	2	
8	8EK-K7210-00	WINDSHIELD COMP.	1		
	8EK-77210-00	WINDSHIELD COMP.		1	
9	8EK-K7213-00	.TRIM, UPPER	1		
	8EK-77213-00	.TRIM, UPPER		1	
10	8EK-77231-00	FAIRING	1	1	
11	8EK-7723A-00	FAIRING 2	1	1	
12	8EK-7723B-00	FAIRING 3	1	1	
13	98907-06020	SCREW, BIND	2	2	
14	90183-06053	NUT, SPRING	2	2	
15	8EK-77238-00	DAMPER	2	2	
16	8EK-2838N-00	DUCT 1	1	1	
17	8EK-2838R-00	DUCT 2	1	1	
18	97707-50012	SCREW, TAPPING	4	4	
19	80V-2835Y-90	LABEL, CAUTION	1		FOR JPN

 8EK1100-2290

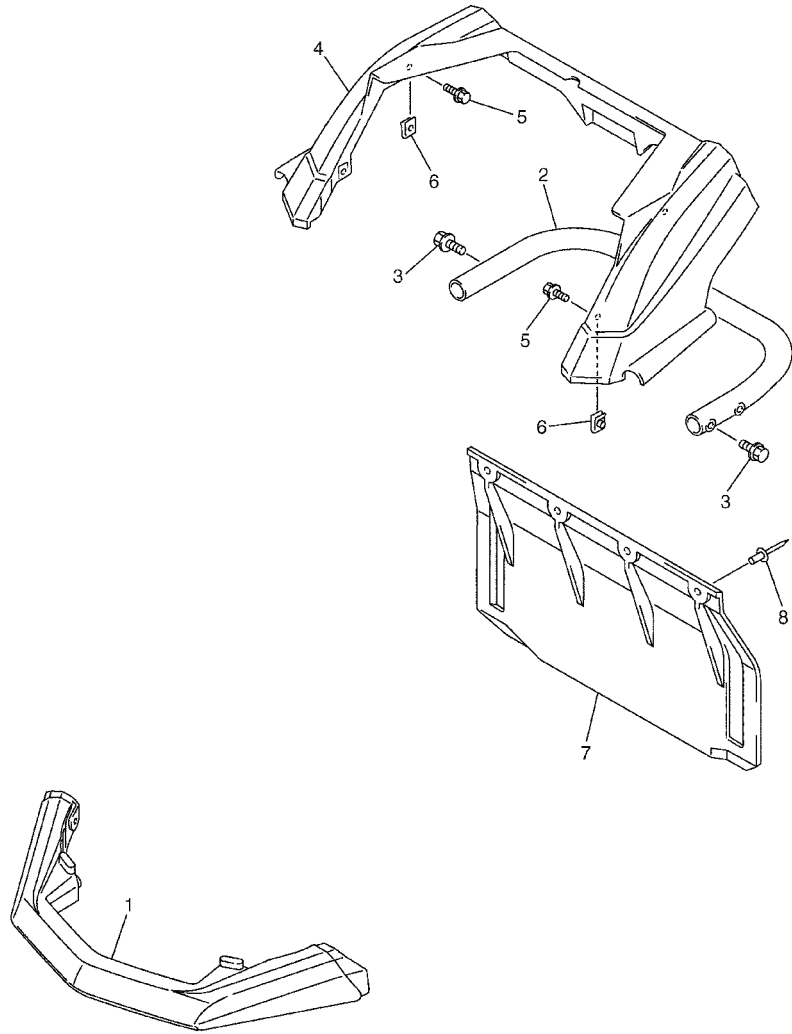
FIG. 30 GUARD, LUGGAGE BOX



8EK1100-2300

REF. NO.	PART NO.	DESCRIPTION	8EK1	8EK2	REMARKS
1	8EK-28100-00	TOOL KIT	1	1	
2	8CR-77311-10	GUARD, DRIVE	1	1	
3	8CR-77315-00	BRACKET 1	1	1	
4	8CR-77338-00	STAY, BELT	2	2	
5	90267-48177	RIVET, BLIND	6	6	
6	8EK-77272-00	DAMPER, NOISE 12	1	1	
7	8BD-77762-00	LABEL, WARNING 2	1		FOR USA/CAN
	86D-77762-00	LABEL, WARNING 2		1	FOR EUR
	8BD-77762-21	LABEL, WARNING 2		1	FOR JPN
8	8CR-77384-00	PIN	1	1	
9	83R-77327-00	SHAFT	1	1	
10	8CR-77319-00	DAMPER 1	1	1	
11	8EK-1417E-00	LABEL, CAUTION	1	1	FOR USA,CAN,EUR
12	8EK-47578-00	LABEL 1	1	1	FOR USA,CAN,EUR
13	8R4-15780-00	EMERGENCY STARTER ROPE ASSY	1	1	

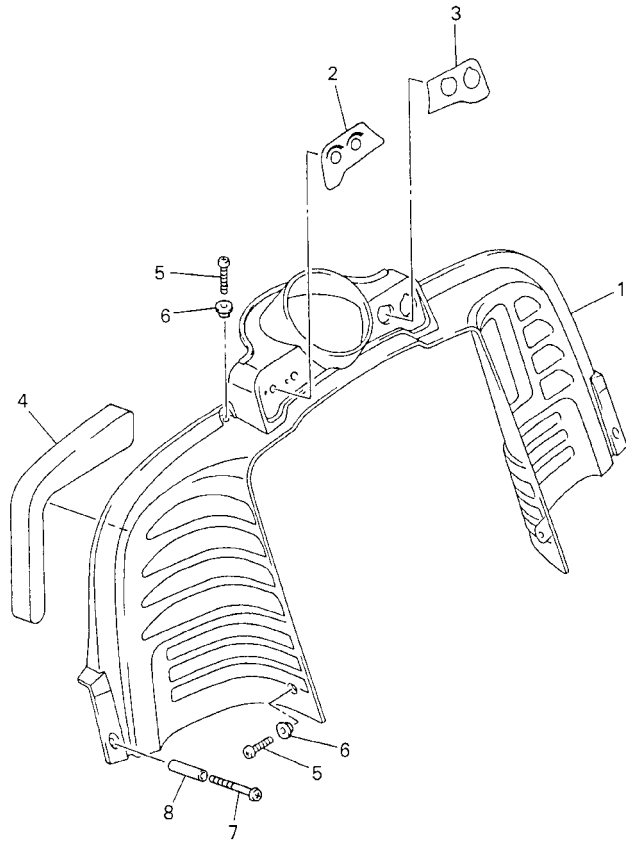
FIG. 31 BUMPER



8EK1100-2310

REF. NO.	PART NO.	DESCRIPTION	8EK1	8EK2				REMARKS
1	8EK-77511-00	BUMPER, FRONT 1	1	1				
2	8EK-77541-00	BUMPER, REAR 1	1	1				
3	95827-08016	BOLT, FLANGE	4	4				
4	8EK-77542-00	BUMPER, REAR 2	1	1				
5	95807-06016	BOLT, FLANGE	4	4				
6	90183-06053	NUT, SPRING	4	4				
7	8CR-K7595-00	FLAP	1					
	8CR-77595-00	FLAP		1				
8	90267-47187	RIVET, BLIND	4	4				

FIG. 32 INSTRUMENT PANEL

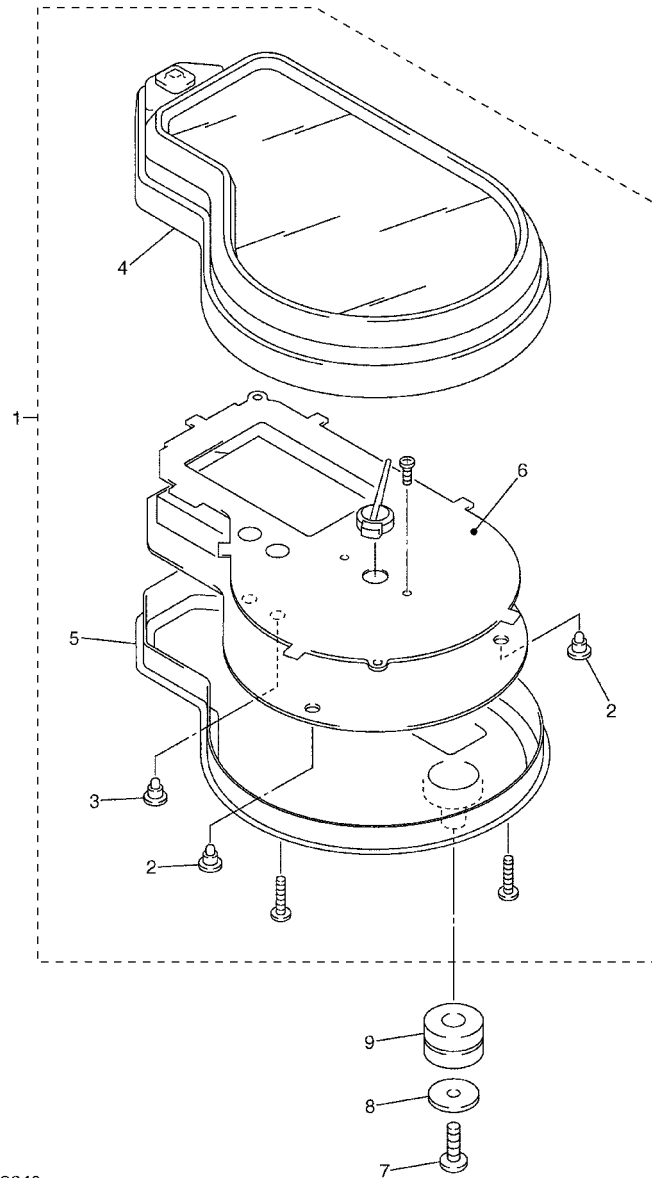


REF. NO.	PART NO.	DESCRIPTION	8EK1	8EK2				REMARKS
1	8DM-77711-00	PANEL, INSTRUMENT	1	1				
2	8DM-77741-00	INDICATOR 1	1	1				
3	8DM-77742-00	INDICATOR 2	1	1				
4	8EK-77279-00	DAMPER, NOISE 19	1	1				
5	98907-06012	SCREW, BIND	4	4				
6	90387-0611K	COLLAR	4	4				
7	90154-06077	SCREW, BINDING	2	2				
8	90387-06036	COLLAR	2	2				

 8EK1100-2320



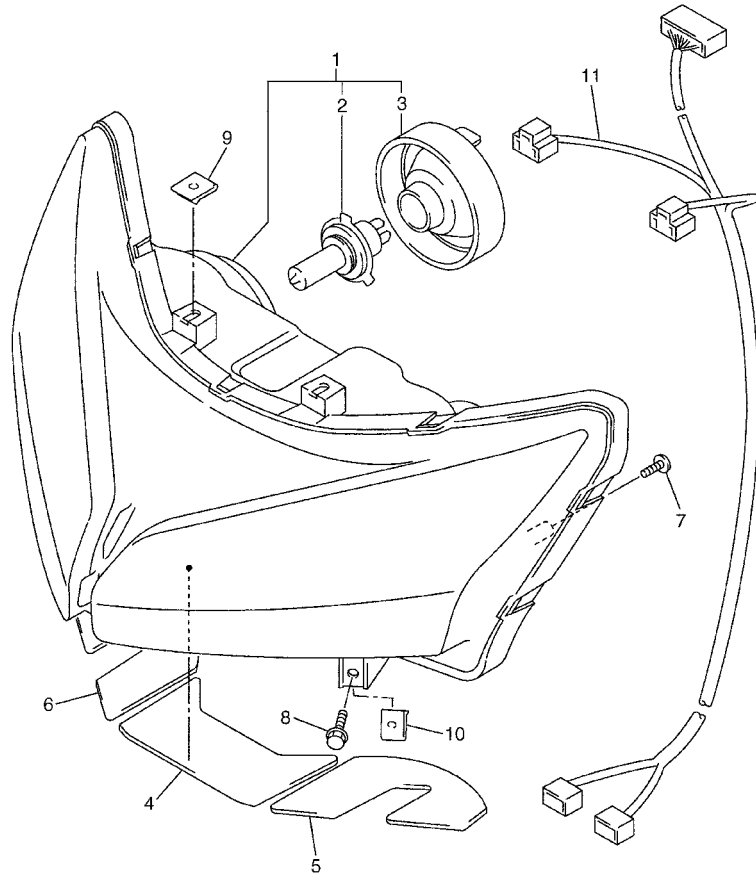
FIG. 34 METER



  
8EK1100-2340

REF. NO.	PART NO.	DESCRIPTION	8EK1	8EK2	REMARKS
1	8EK-83500-10	SPEEDOMETER ASSY	1	1	
	8EK-83500-00	SPEEDOMETER ASSY	1		FOR USA
2	4WM-83517-00	.BULB (T3 12V-40MA)	6	6	
3	4WM-83517-10	.BULB (T3.4 12V-80MA)	2	2	
4	8EK-8353E-00	.CASE, METER UPPER	1	1	
5	8EK-83572-00	.CASE, SPEEDOMETER LOWER	1	1	
6	8EK-83548-00	.PANEL, METER	1	1	
7	97707-50016	SCREW, TAPPING	3	3	
8	90201-05036	WASHER, PLATE	3	3	
9	4XV-83513-00	DAMPER	3	3	

FIG. 35 HEADLIGHT

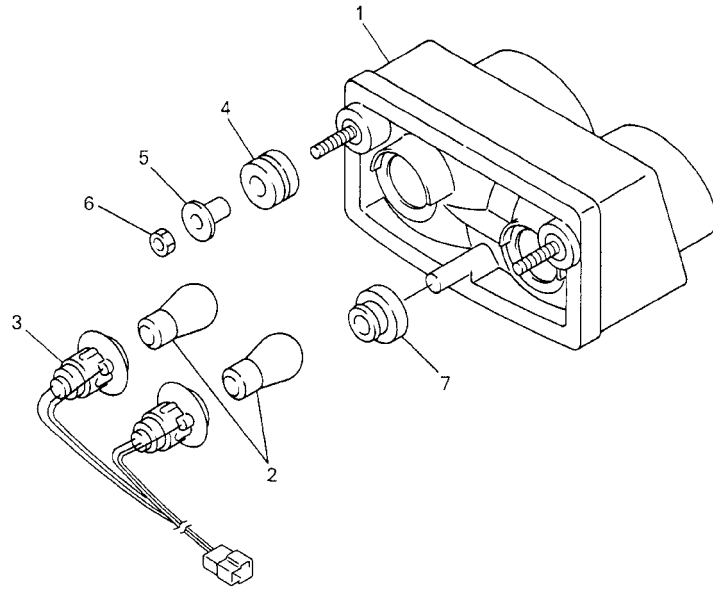


REF. NO.	PART NO.	DESCRIPTION	8EK1	8EK2	REMARKS
1	8EK-84310-00	HEADLIGHT UNIT ASSY	1	1	
2	8G9-84314-00	.BULB (12V-60/55W)	2	2	(H4)HALOGEN
3	8EK-84312-00	.HOLDER, SOCKET	2	2	
4	8EK-8399N-00	INSULATOR 1	1	1	
5	8EK-8368L-00	INSULATOR 2	1	1	
6	8EK-8368M-00	INSULATOR 3	1	1	
7	90167-05078	SCREW, TAPPING	2	2	
8	95807-06016	BOLT, FLANGE	2	2	
9	90183-06053	NUT, SPRING	2	2	
10	90183-06100	NUT, SPRING	2	2	
11	8EK-84359-00	CORD, HEADLIGHT	1	1	



8EK1100-2350

FIG. 36 TAILLIGHT



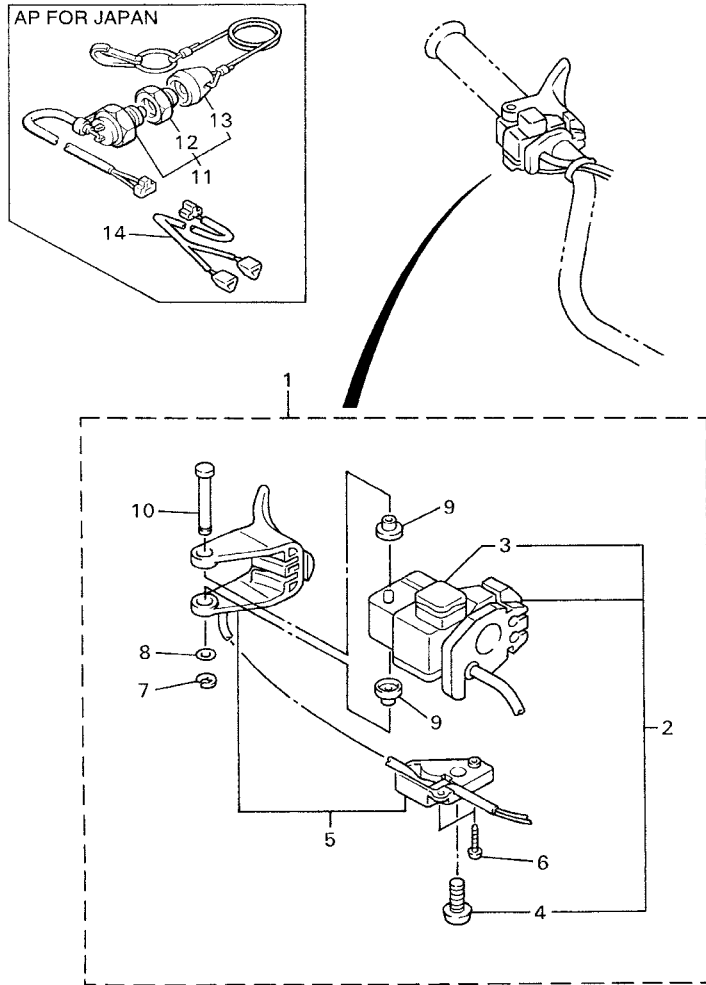
REF. NO.	PART NO.	DESCRIPTION	8EK1	8EK2	REMARKS
1	4XV-84540-00	LENS ASSY	1	1	
2	137-84714-60	BULB, TAILLIGHT(12V-21/5W)	2	2	
3	3LK-8473A-00	CORD ASSY	1	1	
4	90480-18276	GROMMET	2	2	
5	90387-06033	COLLAR	2	2	
6	95307-06600	NUT	2	2	
7	90480-18171	GROMMET	1	1	



8EK1100-2360



FIG. 37 HANDLE SWITCH. LEVER

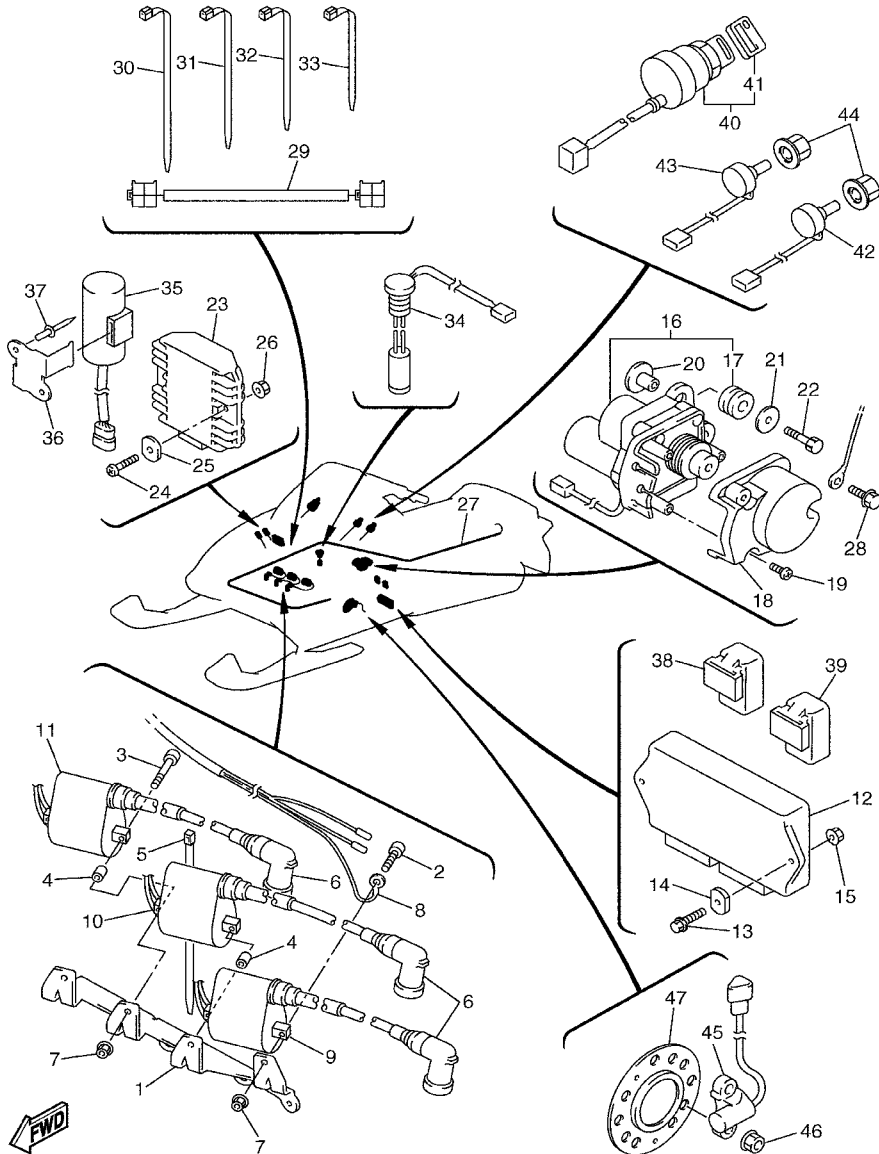


REF. NO.	PART NO.	DESCRIPTION	8EK1	8EK2	REMARKS
1	8DN-82720-00	LEVER HOLDER ASSY (RIGHT)	1	1	
2	8AV-83963-00	.SWITCH, HANDLE 3 (RIGHT)	1	1	
3	8AU-82575-09	..ENGINE STOP SWITCH ASSY	1	1	WIRE/L=240MM
4	84M-83928-00	..SCREW, ADJUSTING	1	1	
5	8DN-82970-00	.THUMB WARMER ASSY	1	1	
6	97707-30614	.SCREW, TAPPING	2	2	
7	99001-04600	.CIRCLIP	1	1	
8	85G-83663-00	.WASHER, SPECIAL	1	1	
9	85G-83956-00	.CAP 1	2	2	
10	8R6-8399F-00	.SHAFT	1	1	
11	8H8-82550-01	ENGINE STOP SWITCH ASSY	1		AP FOR JPN
12	8H8-82557-00	.NUT	1		AP FOR JPN
13	8H7-82552-01	.CAP, SWITCH	1		AP FOR JPN
14	89L-82318-00	WIRE, SUB-LEAD	1		AP FOR JPN



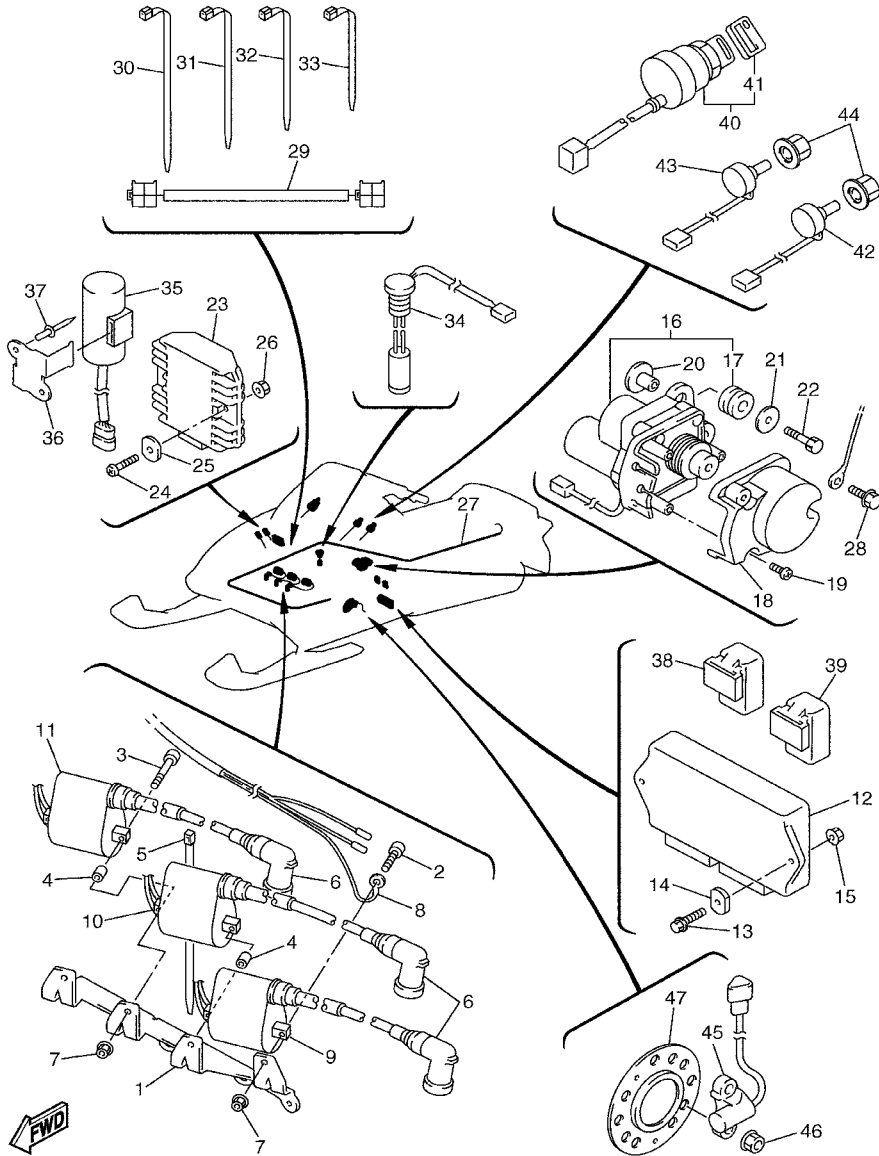
8DA010-6380

FIG. 38 ELECTRICAL 1



8EK1100-2380

REF. NO.	PART NO.	DESCRIPTION	8EK1	8EK2	REMARKS
1	8EK-82316-00	BRACKET, IGNITION COIL	1	1	
2	91317-06020	BOLT	2	2	
3	91317-06040	BOLT	2	2	
4	90387-0714B	COLLAR	2	2	
5	90464-15195	CLAMP	3	3	
6	8DF-82370-00	PLUG CAP ASSY	3	3	
7	95607-06200	NUT, SELF U-FLANGE	4	4	
8	8EK-82509-00	WIRE, SUB LEAD	1	1	
9	8DF-82310-10	IGNITION COIL ASSY	1	1	
10	8DF-82310-20	IGNITION COIL ASSY	1	1	
11	8DF-82310-30	IGNITION COIL ASSY	1	1	
12	8EK-85540-00	C.D.I. UNIT ASSY	1	1	
13	95807-06020	BOLT, FLANGE	2	2	
14	90179-06264	NUT	2	2	
15	95707-06500	NUT, FLANGE	2	2	
16	8DF-85820-00	SERVO MOTOR ASSY	1	1	
17	90480-14023	.GROMMET	2	2	
18	8DF-85829-00	COVER, SERVO MOTOR	1	1	
19	98507-05010	SCREW, PAN HEAD	3	3	
20	90387-063G3	COLLAR	2	2	
21	90201-06380	WASHER, PLATE	2	2	
22	97007-06030	BOLT	2	2	
23	5BN-81960-00	RECTIFIER & REGULATOR ASSY	1	1	
24	98907-06025	SCREW, BIND	2	2	
25	90179-06264	NUT	2	2	
26	95707-06500	NUT, FLANGE	2	2	
27	8EK-82590-00	WIRE HARNESS ASSY	1	1	



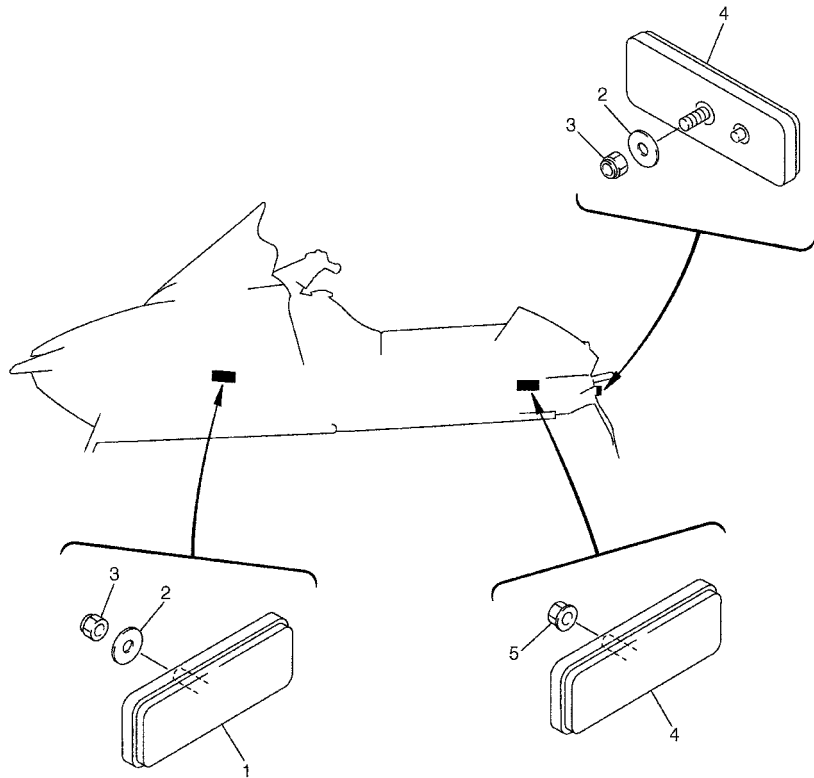
8EK1100-2380

FIG. 38 ELECTRICAL 1

REF. NO.	PART NO.	DESCRIPTION	8EK1	8EK2	REMARKS
28	97007-06010	BOLT	1	1	
29	8DM-8471G-00	WIRE, LEAD	1	1	
30	90464-12045	CLAMP	3	3	
31	90464-15195	CLAMP	11	11	
32	90464-13073	CLAMP	5	5	
33	90464-13077	CLAMP	3	3	
34	8CR-85720-01	OIL LEVEL GAUGE ASSY	1	1	
35	8EK-81965-00	CONDENSER, SMOOTHING	2	2	
36	8EK-81948-00	BRACKET	1	1	
37	90267-48169	RIVET, BLIND	2	2	
38	8DM-81950-00	RELAY ASSY	1	1	
39	5DM-81950-00	RELAY ASSY	1	1	
40	8DM-82510-00	MAIN SWITCH ASSY	1	1	
41	526-82579-00	.CAP, KEY	2	2	
42	8DM-87283-00	RESISTOR, VARIABLE	1	1	
43	8DM-87283-10	RESISTOR, VARIABLE	1	1	
44	8DM-87284-00	KNOB, VARIABLE RESISTOR	2	2	
45	8EK-83755-00	SENSOR, SPEED	1	1	
46	95707-08300	NUT, FLANGE	4	4	
47	8EK-47551-00	HOUSING, FRONT AXLE	1	1	

FIG. 39 ELECTRICAL 2

REF. NO.	PART NO.	DESCRIPTION	8EK1	8EK2	REMARKS
1	11H-85110-01	REFLECTOR ASSY	2	2	
2	90201-05036	WASHER, PLATE	3	3	
3	95707-05300	NUT, FLANGE	3	3	
4	3Y6-85130-02	REAR REFLECTOR ASSY	3	3	
5	95707-05500	NUT, FLANGE	2	2	
<hr/>					
<hr/>					
<hr/>					
<hr/>					
<hr/>					
<hr/>					
<hr/>					
<hr/>					
<hr/>					
<hr/>					
<hr/>					

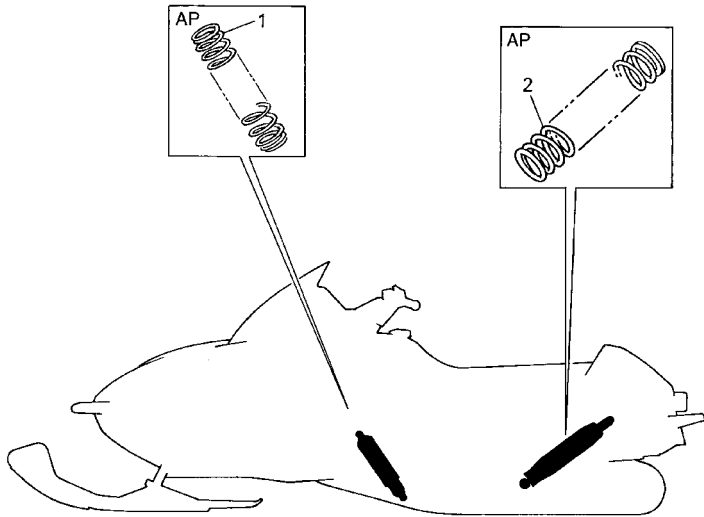


8EK1100-2390



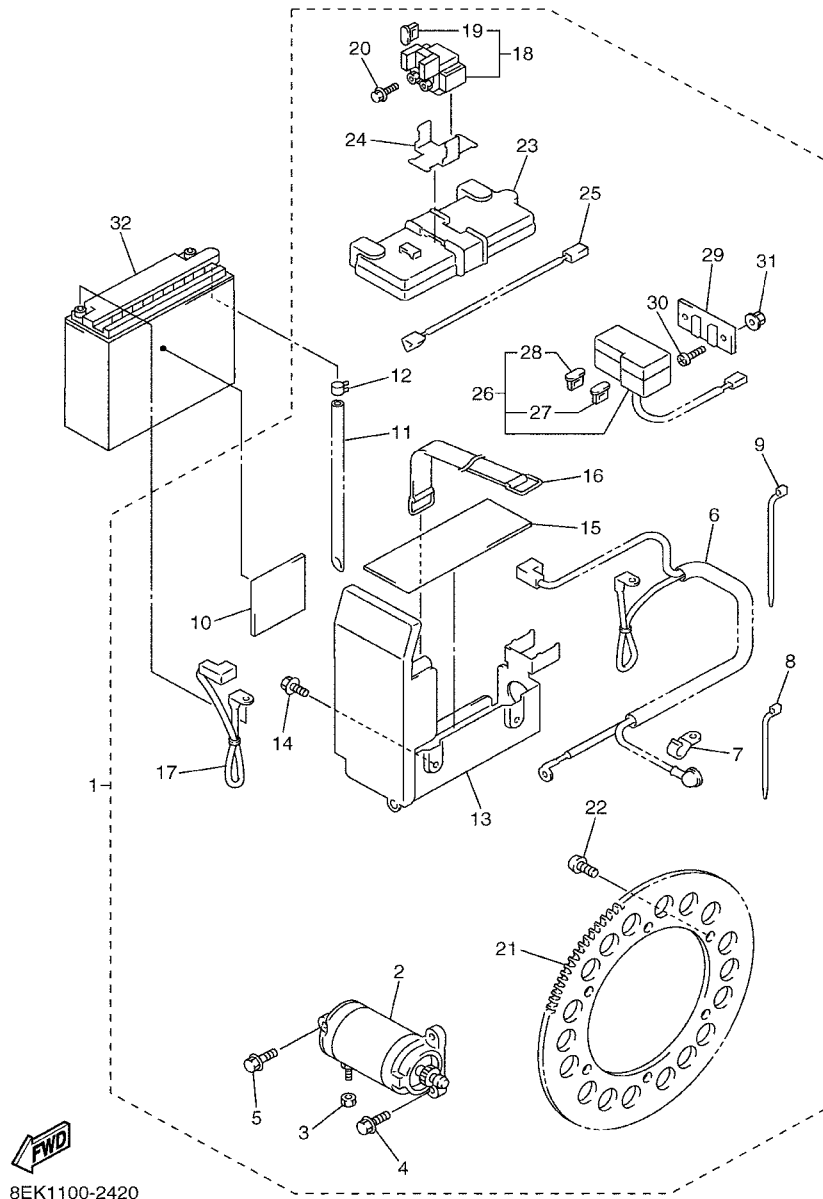
FIG. 41 ALTERNATE (REAR SUSPENSION)

REF. NO.	PART NO.	DESCRIPTION	8EK1	8EK2		REMARKS
1	8CX-47336-00	SPRING (K=1.8)	1	1		UR
	8CX-47336-10	SPRING (K=2.3)	1	1		UR
	8CX-47336-20	SPRING (K=2.8)	1	1		UR
	8CH-47336-40	SPRING (K=1.3-2.3)	1	1		UR
	8CH-47336-50	SPRING (K=1.7-2.7)	1	1		UR
2	8DH-47489-00	SPRING1 (K=3.5-5.5)	1	1		UR
	8CX-47489-00	SPRING1 (K=3.0-5.0)	1	1		UR
	8CX-47489-10	SPRING1 (K=3.3-5.3)	1	1		UR



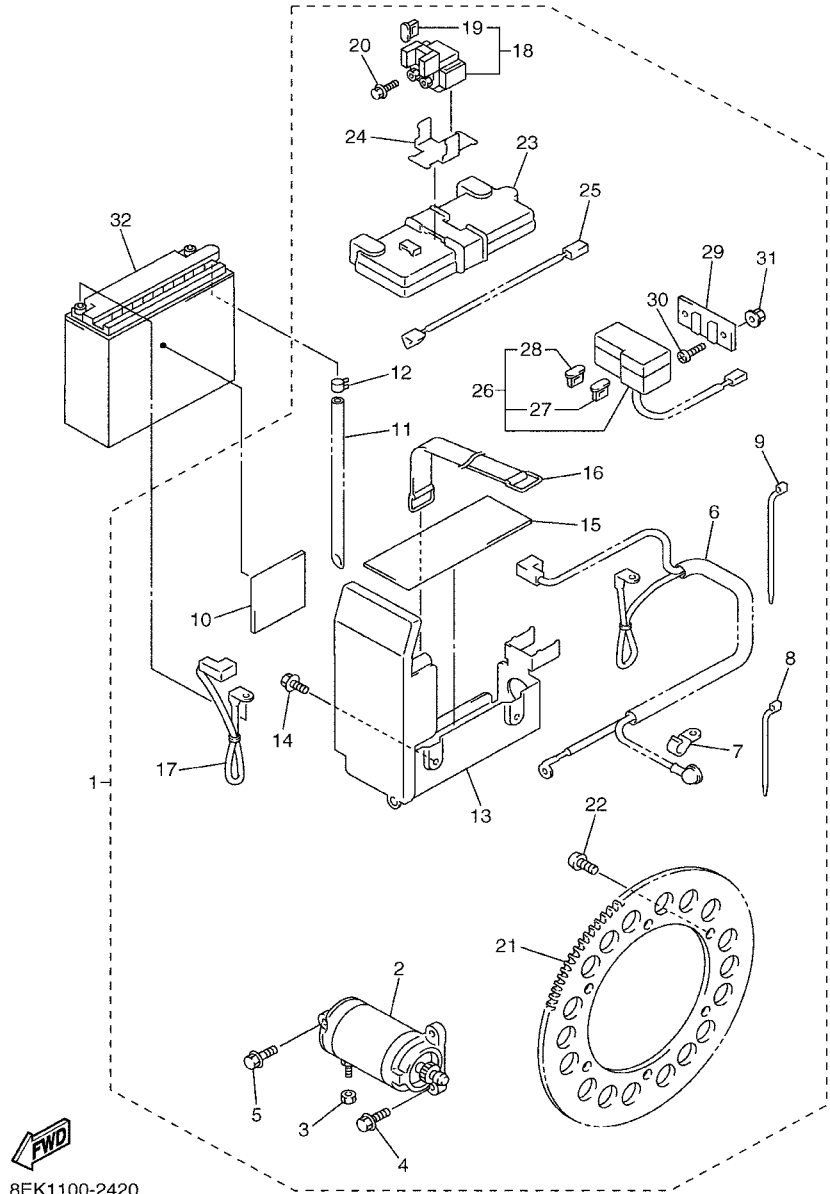
8DF100-8430

FIG. 42 ALTERNATE (ELECTRICAL)



8EK1100-2420

REF. NO.	PART NO.	DESCRIPTION	8EK1	8EK2	REMARKS
1	8EK-W8180-00	ELECTRIC STARTER KIT	1	1	AP
2	8CW-81800-01	.STARTING MOTOR ASSY	1	1	
3	95307-06600	.NUT	1	1	
4	95027-08030	.BOLT, FLANGE	2	2	
5	95027-08080	.BOLT, FLANGE	1	1	
6	8EK-82105-00	.WIRE HARNESS	1	1	
7	90462-08016	.CLAMP	1	1	
8	90464-13073	.CLAMP	4	4	
9	90464-15195	.CLAMP	5	5	
10	8CW-82176-00	.DAMPER	1	1	
11	8CW-8235W-01	.PIPE	1	1	
12	90467-08092	.CLIP	1	1	
13	8FB-8212X-00	.BATTERY BOX COMP.	1	1	
14	90109-06513	.BOLT	2	2	
15	8DM-82122-00	.SEAT, BATTERY	1	1	
16	8DM-82131-10	.BAND, BATTERY	1	1	
17	8DY-82115-00	.WIRE, PLUS LEAD	1	1	
18	4BH-81940-00	.STARTER RELAY ASSY	1	1	
19	1AE-82151-00	..FUSE (30A)	2	2	
20	95027-06008	.BOLT, FLANGE	2	2	
21	8DM-1760A-18	.GEAR 1	1	1	
22	90150-08008	.SCREW, ROUND HEAD	6	6	
23	8DM-82129-00	.COVER, BATTERY	1	1	
24	8CY-81952-00	.HOLDER, RELAY	1	1	
25	8EK-82541-00	.WIRE, LEAD	1	1	
26	8EK-82170-00	..FUSE BOX ASSY	1	1	
27	5JJ-82151-30	..FUSE (10A)	3	3	



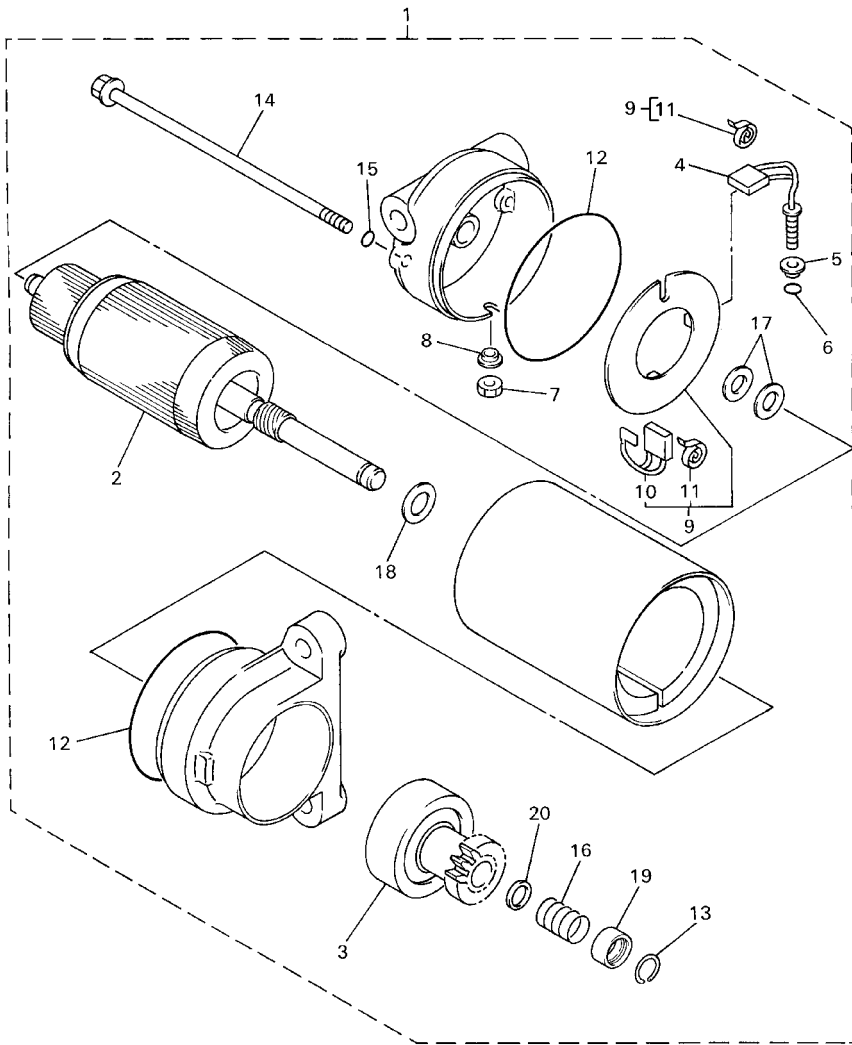
8EK1100-2420

FIG. 42 ALTERNATE (ELECTRICAL)

REF. NO.	PART NO.	DESCRIPTION	8EK1	8EK2	REMARKS
28	5JJ-82151-20	..FUSE (20A)	2	2	
29	JT1-83614-00	.BRACKET	1	1	
30	98507-06014	.SCREW, PAN HEAD	2	2	
31	95707-06500	.NUT, FLANGE	2	2	
32	11K-82110-62	BATTERY ASSY (GM18Z-3A)	1	1	AP
	5K0-82110-N2	BATTERY ASSY (GM18Z-3A)		1	AP FOR JPN



FIG. 43 ALTERNATE (ELECTRICAL)



8CR100-7440

REF. NO.	PART NO.	DESCRIPTION	8EK1	8EK2	REMARKS
1	8CW-81800-01	STARTING MOTOR ASSY	1	1	AP
2	8CW-81850-00	.ARMATURE ASSY	1	1	
3	8CW-81832-00	.CLUTCH, OVER RUN	1	1	
4	8CW-81811-00	.BRUSH 1	1	1	
5	73A-81829-50	.GROMMET	1	1	
6	73A-81847-00	.O-RING	1	1	
7	4H7-81872-00	.NUT, SPECIAL	1	1	
8	73A-81829-00	.GROMMET	1	1	
9	8CW-81840-00	.BRUSH HOLDER ASSY	1	1	
10	8CW-81812-00	..BRUSH 2	1	1	
11	8L6-81813-50	..SPRING, BRUSH	2	2	
12	4H7-81844-50	.O-RING	2	2	
13	8L6-81834-50	.RING	1	1	
14	3GD-81826-00	.BOLT, THROUGH	2	2	
15	8L6-81847-50	.O-RING	2	2	
16	8CW-81836-00	.SPRING, LEVER	1	1	
17	4H7-81843-50	.WASHER 1	2	2	
18	8L6-81835-50	.WASHER 2	1	1	
19	8CW-81833-00	.RING, STOP	1	1	
20	8BB-8185A-00	.WASHER, PLATE	1	1	

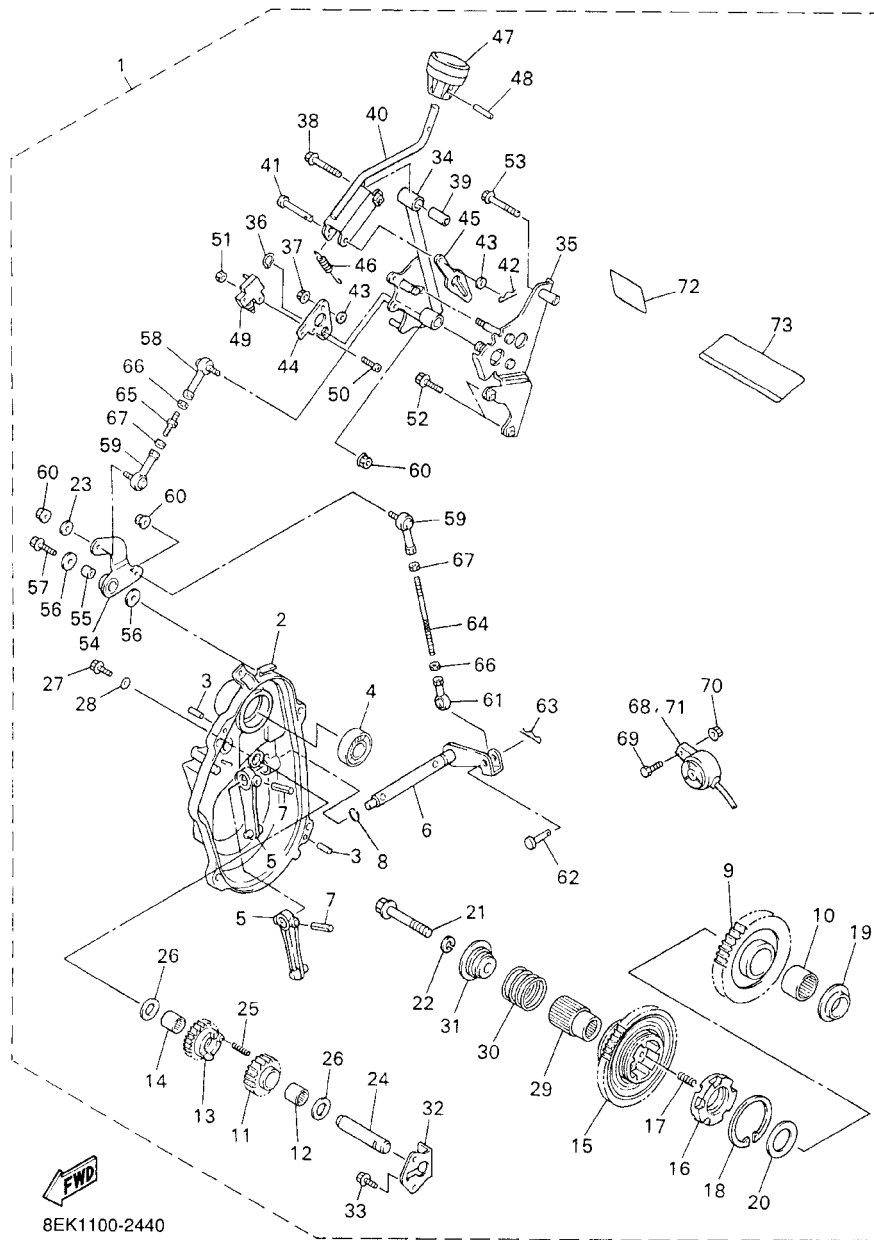


FIG. 44 ALTERNATE (DRIVE)

REF. NO.	PART NO.	DESCRIPTION	8EK1	8EK2		REMARKS
1	8EK-47590-00	REVERSE GEAR KIT	1	1		AP
2	8CW-47543-02	.CAP, HOUSING	1	1		
3	93606-20044	.PIN, DOWEL	2	2		
4	93306-20468	.BEARING	1	1		
5	8CW-18511-00	.FORK, SHIFT 1	2	2		
6	8CW-18197-00	.SHAFT	1	1		
7	91609-50022	.PIN, SPRING	2	2		
8	93210-12131	.O-RING	1	1		
9	8FB-47587-80	.SPROCKET, CHAIN DRIVEN	1	1		
10	93317-33179	.BEARING	1	1		
11	8FB-17692-00	.SPROCKET, DRIVE	1	1		
12	93317-21578	.BEARING	1	1		
13	8CW-17143-00	.GEAR, REVERSE PINION 1	1	1		
14	93317-21578	.BEARING	1	1		
15	8CW-17243-00	.GEAR, REVERSE WHEEL 1	1	1		
16	8CW-17492-00	.DOG, TRANSMISSION SHIFT	1	1		
17	90501-066J5	.SPRING, COMPRESSION	5	5		
18	93440-39175	.CIRCLIP	1	1		
19	90387-2008G	.COLLAR	1	1		
20	90201-320S3	.WASHER, PLATE	1	1		
21	90105-100A7	.BOLT, FLANGE	1	1		
22	92907-10100	.WASHER, SPRING	1	1		
23	90201-06778	.WASHER, PLATE	1	1		
24	8CW-1761A-00	.SHAFT, 1	1	1		
25	90501-06022	.SPRING, COMPRESSION	1	1		
26	90201-16245	.WASHER, PLATE	2	2		
27	90105-060A6	.BOLT, FLANGE	1	1		

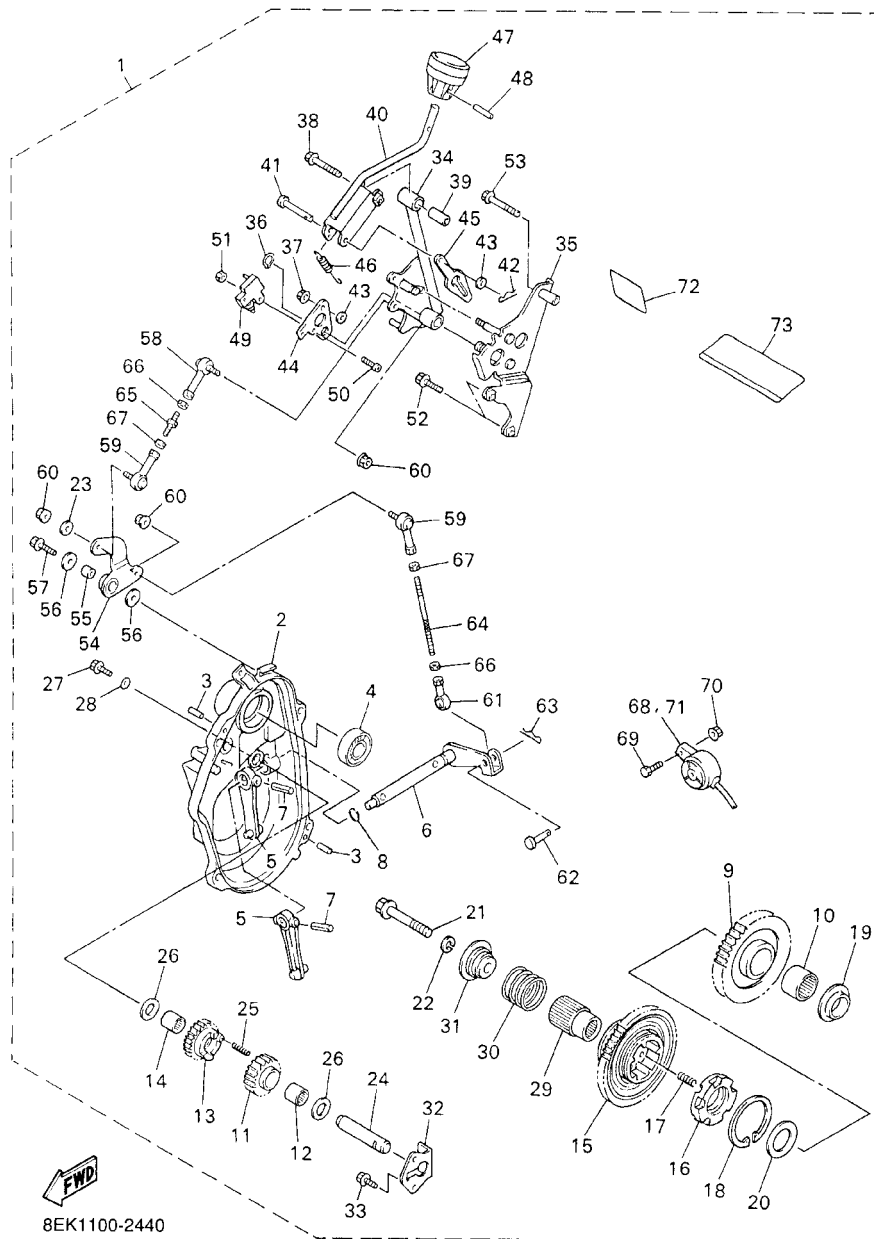


FIG. 44 ALTERNATE (DRIVE)

REF. NO.	PART NO.	DESCRIPTION	8EK1	8EK2	REMARKS
28	90210-06006	.WASHER, SEAL	1	1	
29	8CW-47571-00	.JOURNAL 1	1	1	
30	90501-326J6	.SPRING, COMPRESSION	1	1	
31	8CW-47564-00	.COLLAR	1	1	
32	8CW-47591-00	.PLATE	1	1	
33	90105-060A6	.BOLT, FLANGE	2	2	
34	8CW-18112-01	.ARM, SHIFT	1	1	
35	8CW-18161-01	.GUIDE, PLATE STOPPER	1	1	
36	99009-12400	.CIRCLIP	1	1	
37	95607-06200	.NUT, SELF U-FLANGE	1	1	
38	95817-06035	.BOLT, FLANGE	1	1	
39	90387-06605	.COLLAR	1	1	
40	8CW-18152-01	.LEVER, SHIFT 4	1	1	
41	91701-06035	.PIN, CLEVIS	1	1	
42	90468-10050	.CLIP	1	1	
43	92907-06200	.WASHER	2	2	
44	8CW-1811A-00	.PLATE, SHIFT ARM	1	1	
45	8CW-18153-00	.GUIDE, SHIFT RETURN SPRING	1	1	
46	90506-14343	.SPRING, TENSION	1	1	
47	8CL-18174-00	.KNOB, SHIFT LEVER	1	1	
48	91609-40022	.PIN, SPRING	1	1	
49	J51-82817-00	.SWITCH	1	1	
50	98907-04016	.SCREW, BIND	1	1	
51	95607-04100	.NUT, U	1	1	
52	95827-06025	.BOLT, FLANGE	2	2	
53	95827-06040	.BOLT, FLANGE	1	1	
54	8CW-18198-00	.LEVER	1	1	

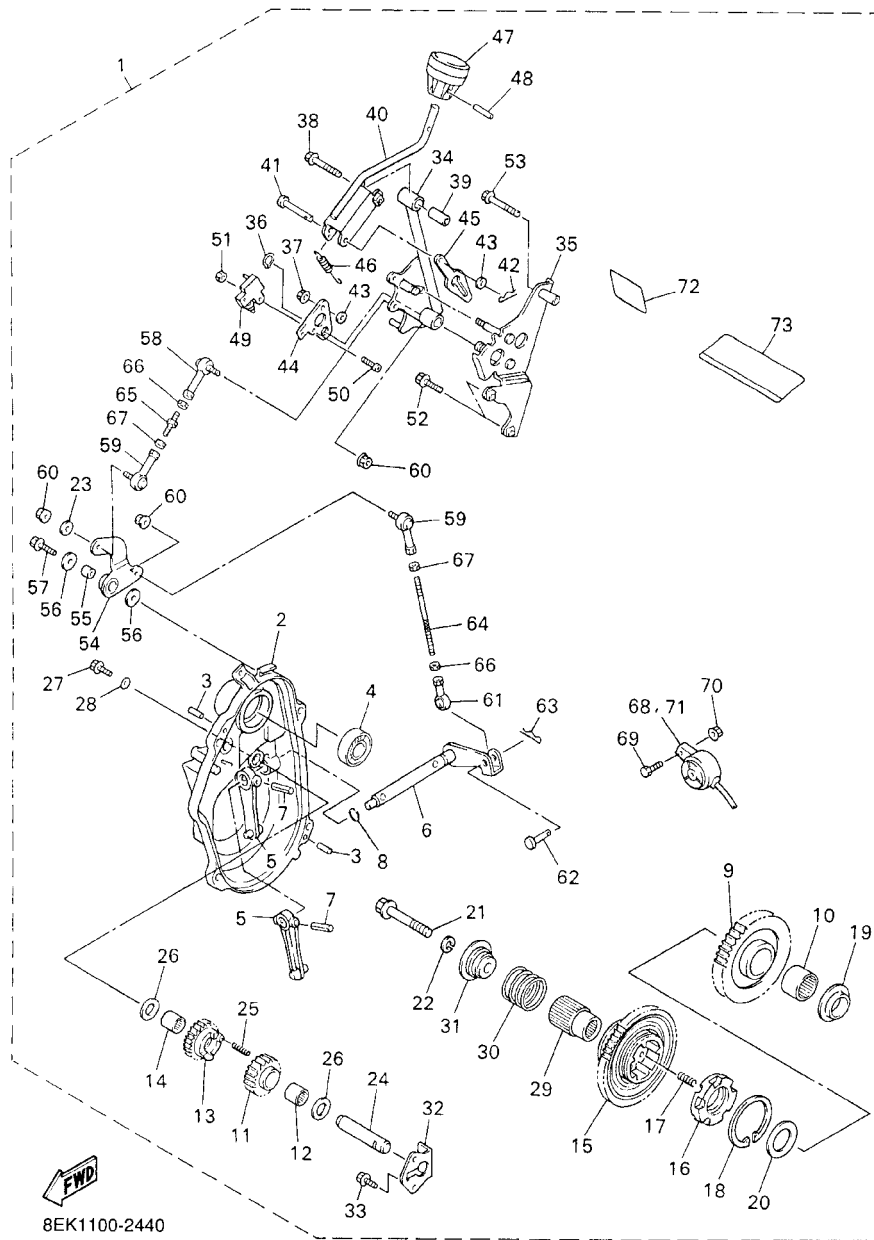
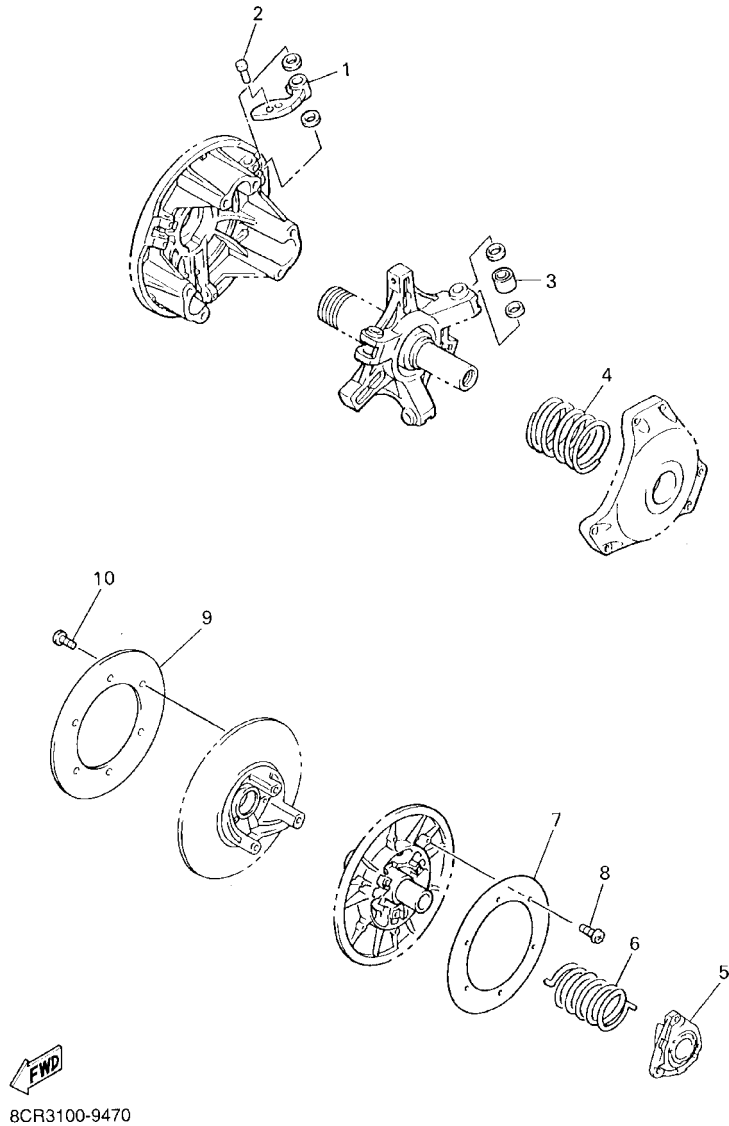


FIG. 44 ALTERNATE (DRIVE)

REF. NO.	PART NO.	DESCRIPTION	8EK1	8EK2	REMARKS
55	90387-0608T	.COLLAR	1	1	
56	90201-06071	.WASHER, PLATE	2	2	
57	95817-06025	.BOLT, FLANGE	1	1	
58	J45-23845-00	.JOINT, UNIVERSAL 2	1	1	
59	88T-18157-00	.JOINT 2	2	2	
60	95607-06200	.NUT, SELF U-FLANGE	3	3	
61	8CW-18156-00	.JOINT 1	1	1	
62	91701-06022	.PIN, CLEVIS	1	1	
63	90468-12007	.CLIP	1	1	
64	88T-18116-01	.JOINT, ROD 1	1	1	
65	26H-18115-00	.ROD, SHIFT	1	1	
66	95304-06600	.NUT	2	2	
67	90170-06289	.NUT	2	2	
68	8CR-83383-00	.BUZZER	1	1	
69	97007-05020	.BOLT	1	1	
70	95707-05500	.NUT, FLANGE	1	1	
71	8CW-83383-00	.BUZZER	1	1	
72	8DM-77763-E0	.LABEL, WARNING 3	1	1	
73	8FB-77761-E0	.LABEL, WARNING 1	1	1	

FIG. 45 ALTERNATE (DRIVE SETTING 1)

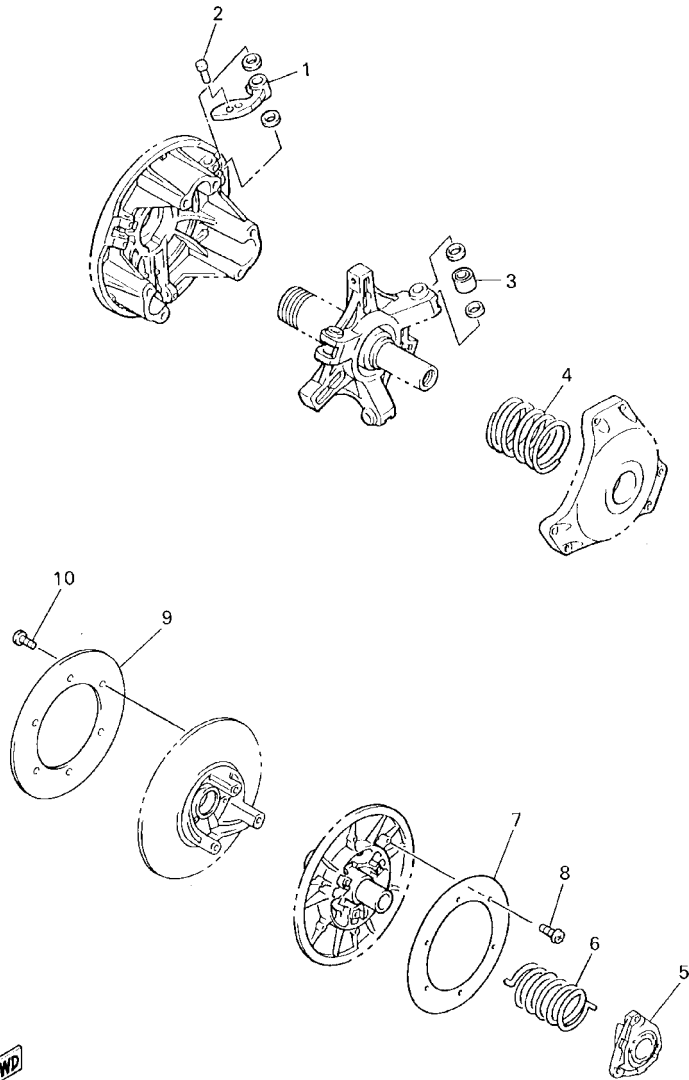


8CR3100-9470

REF. NO.	PART NO.	DESCRIPTION	8EK1	8EK2		REMARKS
1	8CR-17605-10	WEIGHT COMP	3	3		UR
	8CH-17605-10	WEIGHT COMP	3	3		UR
	8DJ-17605-00	WEIGHT COMP	3	3		UR
	8DG-17605-00	WEIGHT COMP	3	3		UR
	8DN-17605-20	WEIGHT COMP	3	3		UR
	8EK-17605-00	WEIGHT COMP	3	3		UR
2	90261-06015	RIVET, COUNTERSUNK (ST10.3MM)	3	3		UR
	90261-06017	RIVET, COUNTERSUNK (ST11.3MM)	3	3		UR
	90261-06019	RIVET, COUNTERSUNK (ST13.3MM)	3	3		UR
	90261-06028	RIVET, COUNTERSUNK (AL10.3MM)	3	3		UR
	90261-06033	RIVET, COUNTERSUNK (ST17.2MM)	3	3		UR
	90261-06034	RIVET, COUNTERSUNK (ST13.9MM)	3	3		UR
3	8CR-17624-00	ROLLER, COMP	3	3		UR
	8CR-17624-10	ROLLER, COMP	3	3		UR
	8CR-17624-20	ROLLER, COMP	3	3		UR
	8CR-17624-30	ROLLER, COMP	3	3		UR
4	90501-551L3	SPRING, COMPRESSION	1	1		UR (BL-P-BL)
	90501-583L5	SPRING, COMPRESSION	1	1		UR (WH-P-WH)
	90501-581L5	SPRING, COMPRESSION	1	1		UR (Y-P-Y)
	90501-581L6	SPRING, COMPRESSION	1	1		UR (GR-P-GR)
	90501-601L7	SPRING, COMPRESSION	1	1		UR (P-P-P)
	90501-601L8	SPRING, COMPRESSION	1	1		UR (OR-P-OR)
	90501-551L9	SPRING, COMPRESSION	1	1		UR (BL-SL-BL)
	90501-583L4	SPRING, COMPRESSION	1	1		UR (WH-SL-WH)
	90501-582L1	SPRING, COMPRESSION	1	1		UR (Y-SL-Y)
	90501-582L2	SPRING, COMPRESSION	1	1		UR (GR-SL-GR)
	90501-602L3	SPRING, COMPRESSION	1	1		UR (P-SL-P)

FIG. 45 ALTERNATE (DRIVE SETTING 1)

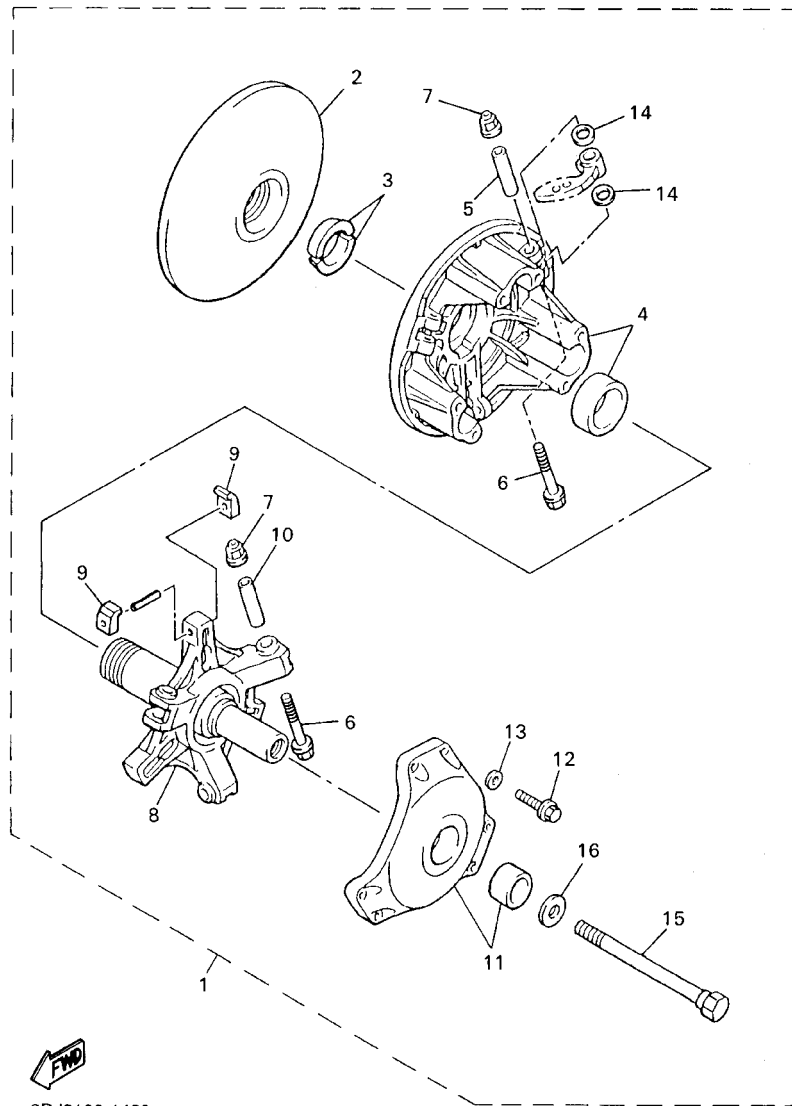
REF. NO.	PART NO.	DESCRIPTION	8EK1	8EK2	REMARKS
4	90501-624L8	SPRING, COMPRESSION	1	1	UR (OR-SL-OR)
	90501-552L5	SPRING, COMPRESSION	1	1	UR (BL-GR-BL)
	90501-582L6	SPRING, COMPRESSION	1	1	UR (WH-GR-WH)
	90501-582L7	SPRING, COMPRESSION	1	1	UR (Y-GR-Y)
	90501-602L8	SPRING, COMPRESSION	1	1	UR (GR-GR-GR)
	90501-602L9	SPRING, COMPRESSION	1	1	UR (P-GR-P)
	90501-583L0	SPRING, COMPRESSION	1	1	UR (BL-WH-BL)
	90501-583L1	SPRING, COMPRESSION	1	1	UR (WH-WH-WH)
	90501-603L2	SPRING, COMPRESSION	1	1	UR (Y-WH-Y)
	90501-603L3	SPRING, COMPRESSION	1	1	UR (GR-WH-GR)
5	8BV-17604-11	SEAT SPRING SET	1	1	UR
	8BV-17604-31	SEAT SPRING SET	1	1	UR
	8BV-17604-51	SEAT SPRING SET	1	1	UR
	8BV-17604-71	SEAT SPRING SET	1	1	UR
	8BV-17604-91	SEAT SPRING SET	1	1	UR
6	90508-536A9	SPRING, TORSION	1	1	UR (RED)
	90508-556A2	SPRING, TORSION	1	1	UR (GREEN)
	90508-556A7	SPRING, TORSION	1	1	UR (SILVER)
	90508-500B1	SPRING, TORSION	1	1	UR (BROWN)
7	8CM-17665-00	PLATE 1	1	1	UR
8	90150-05040	SCREW, ROUND HEAD	6	6	UR
9	8CM-17675-00	PLATE 2	1	1	UR
10	90150-05040	SCREW, ROUND HEAD	6	6	UR



8CR3100-9470



FIG. 47 ALTERNATE (DRIVE)

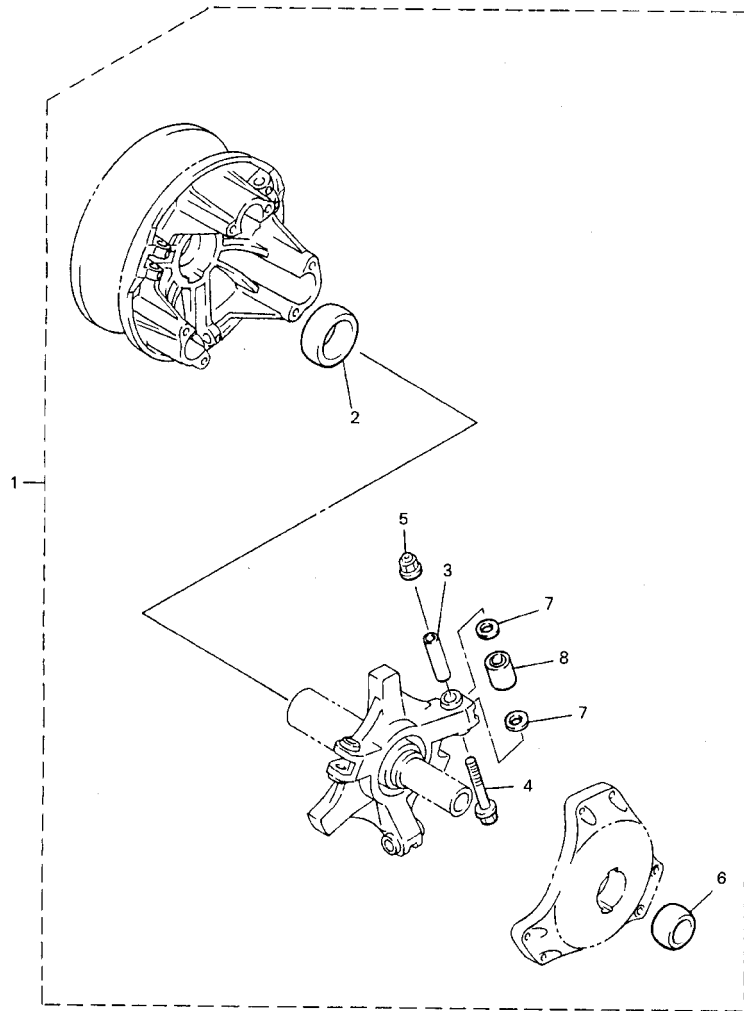


8DJ3100-1480

REF. NO.	PART NO.	DESCRIPTION	8EK1	8EK2	REMARKS
1	8DS-17601-09	CLUTCH REPAIR KIT	1	1	AP
2	8CR-17611-01	.SHEAVE, PRIMARY FIXED	1	1	
3	8V0-17639-00	.STOPPER	2	2	
4	8BV-17620-11	.PRIMARY SLIDING SHEAVE COMP.	1	1	
5	90387-0514T	.COLLAR	3	3	
6	90105-05644	.BOLT, FLANGE	6	6	
7	95607-05200	.NUT, U FLANGE	6	6	
8	8CA-17640-12	.SPIDER COMPLETE	1	1	
9	8BW-17653-00	.SLIDER	6	6	
10	90387-0514U	.COLLAR	3	3	
11	8DF-17630-00	.PRIMARY SHEAVE CAP COMP.	1	1	
12	97017-06030	.BOLT	6	6	
13	92907-06600	.WASHER, PLATE	6	6	
14	90202-08204	.WASHER, PLATE	6	6	
15	8V0-17647-00	.BOLT (L=156.5MM)	1	1	
16	92907-16100	.WASHER	1	1	



FIG. 48 ALTERNATE (DRIVE)



8DJ3100-1490

REF. NO.	PART NO.	DESCRIPTION	8EK1	8EK2			REMARKS
1	8CS-00000-51	CLUTCH TUNE-UP KIT	1	1			AP
2	90384-41242	.BUSH, BIMETAL FORMED	1	1			
3	90387-0514U	.COLLAR	3	3			
4	90105-05644	.BOLT, FLANGE	3	3			
5	95607-05200	.NUT, U FLANGE	3	3			
6	90380-28237	.BUSH, SOLID	1	1			
7	90202-09227	.WASHER, PLATE	6	6			
8	8CR-17624-00	.ROLLER, COMP	3	3			

NUMERICAL INDEX

PART NO.	GRID NO.	PART NO.	GRID NO.	PART NO.	GRID NO.	PART NO.	GRID NO.	PART NO.	GRID NO.	PART NO.	GRID NO.
8EK-F3711-00	C - 15	8DF-11515-00	B - 4	8DF-13621-00	B - 10	89A-14199-00	B - 12	89A-14588-00	B - 15	8BV-17604-31	G - 5
8EK-F3712-00	C - 15	8DN-11603-00	B - 4	8DF-13625-00	B - 10	89A-14208-00	B - 15	8CH-14589-00	B - 15	8BV-17604-51	G - 5
8EK-F3731-00	C - 15	8EK-11631-00-A0	B - 4	8EK-14100-00	B - 12	8CC-14216-00	B - 12	89A-14594-00	B - 14	8BV-17604-71	C - 8
8EK-F3751-00	C - 15	8JO-11633-00	B - 4	8EK-14101-00	B - 12	8CC-14216-10	C - 2	8EK-14610-00	C - 3		G - 5
8EK-F3766-00	C - 15	8DF-11651-00	B - 4	8EK-14102-00	B - 12	89A-14216-00	B - 14	8EK-14613-00	C - 3	8BV-17604-91	G - 5
8EK-K7210-00	E - 12	8CH-11685-00	B - 4	8EK-14103-00	B - 12	3H1-14227-00	B - 15	8EK-14620-00	C - 3	8CH-17605-10	G - 4
8EK-K7213-00	E - 12	8EK-1240E-00	B - 7	8EK-14112-15	B - 12	8AB-14227-00	B - 12	8EK-14640-00	C - 3	8CR-17605-10	G - 4
8CR-K7595-00	E - 14	8EK-1240F-00	B - 7	22F-14115-00	B - 15	3G2-1423A-80	B - 13	8CA-14714-00	C - 3	8DG-17605-00	G - 4
8CR-W0041-00	D - 10	8EK-1241A-00	B - 7	500-14115-00	B - 13	3G2-1423A-81	B - 13	8EK-14714-00	C - 3	8DJ-17605-00	G - 4
8DF-W0046-00	D - 10	8EK-12410-00	B - 7	1T1-14116-A4	B - 13	3G2-1423A-82	B - 13	8DJ-14728-00	C - 13	8DN-17605-20	G - 4
8CR-W0047-00	D - 10	8EK-12412-00	B - 7	22F-14117-00	B - 14	3G2-1423E-55	B - 13	8EK-14728-00	C - 3	8EK-17605-00	C - 6
8CR-W0048-00	D - 10	8EK-12413-00	B - 7		B - 15	3G2-1423E-56	B - 13	8EK-14738-00	C - 3		G - 4
8CR-W0057-00	D - 10	8EK-12417-00	B - 7	89A-14118-00	B - 15	3G2-1423E-57	B - 13	89A-14905-00	B - 14	8CW-1761A-00	F - 15
8EK-W2195-00	C - 12	8CH-12422-01	B - 6	8CC-14122-00	B - 14	3G2-1423E-58	B - 13	3MA-14918-00	B - 12	8CR-17611-01	C - 6
3GM-W2585-21	D - 10	8EK-1243E-00	B - 7	3GF-14126-00	B - 12	3G2-1423E-59	B - 13	3MA-14937-00	B - 12		G - 7
8CR-W2585-00	D - 10	8DF-1243F-00	B - 7	2J2-14133-00	B - 14	3G2-1423E-60	B - 13	1UF-14952-00	B - 14	8BV-17620-11	C - 6
8EK-W2587-00	D - 10	11H-12438-00	B - 6	5K7-14134-00	B - 12	3G2-1423E-61	B - 13	3FV-14962-00	B - 15		G - 7
8EK-W2587-10	D - 10	8CH-12439-00	B - 6	1AE-14135-00	B - 15	3G2-1423E-62	B - 13	3H1-14962-00	B - 12	8CR-17624-00	C - 6
8CR-W2628-00	F - 10	8EK-12440-00	C - 12	1AW-14135-00	B - 14	3G2-1423E-63	B - 13	8CH-14978-00	B - 15		G - 4
8EK-W7725-00	E - 12	8CH-12451-02	B - 6	89A-14137-00	B - 12	3G2-14231-28	B - 13	8CH-14987-10	B - 15		G - 8
8EK-W7726-00	E - 9	8DF-12459-00	B - 6	35H-14139-00	B - 15	3G2-14231-29	B - 13	11H-14991-00	B - 15	8CR-17624-10	G - 4
8EK-W8180-00	F - 12	22W-12462-00	B - 7	89A-14141-48	B - 13	3G2-14231-30	B - 13	1J7-14994-00	B - 14	8CR-17624-20	G - 4
8CS-00000-51	G - 8	8EK-12476-00	B - 8	3H1-14142-45	B - 12	3G2-14231-31	B - 13	8CH-14995-00	B - 14	8CR-17624-30	G - 4
8EK-1111K-00	B - 2	8EK-12477-00	B - 8	3H1-14142-47	B - 12	3G2-14231-32	B - 13	89A-14996-00	B - 12	8DF-17630-00	C - 6
8EK-11111-00	B - 2	8DF-12478-00	B - 2	3H1-14142-50	B - 12	89A-14243-00	B - 12	8DF-15100-10	C - 4		G - 7
J38-11116-00	C - 4	8EK-1248A-00	B - 3	3H1-14142-52	B - 12	4N0-14251-00	C - 2	8EK-15710-00	C - 5	8V0-17639-00	C - 6
8EK-11181-00	B - 2	8EK-1248E-00	B - 7	3H1-14142-55	B - 12	8EK-14251-00	B - 14	8EK-15711-00	C - 5		G - 7
8EK-1131A-00	B - 2	8EK-12481-00	B - 7	1AE-14147-00	B - 14		C - 2	8DF-15713-00	C - 5	8CA-17640-12	C - 6
8EK-1131E-00	B - 2	8EK-12482-00	B - 7	3H1-14147-00	B - 12	89A-14264-00	B - 15	8DF-15714-00	C - 5		G - 7
8DF-1131F-01	B - 3	8EK-12483-00	B - 7	558-14147-00	B - 13	89A-14265-00	B - 14	8DF-15715-00	C - 5	8DN-17641-00	C - 7
8DF-1131U-01	B - 3	8DF-12484-01	B - 7	8F2-14147-00	B - 14	89A-14276-00	B - 14	8DF-15716-00	C - 5	8V0-17647-00	C - 7
8EK-11311-00	B - 2	8DF-12485-00	B - 8	89A-14147-00	B - 14	89A-14286-00	B - 14	8DF-15723-00	C - 5		G - 7
8DF-11317-00	B - 3	8EK-1249B-00	B - 7	1LX-14153-00	B - 13	89A-14292-00	B - 12	8DF-15735-00	C - 5	8BW-17653-00	C - 6
8EK-1133E-00	B - 3	26H-12584-00	B - 2	3MA-14159-00	B - 12	8DF-14294-00	B - 11	8EK-15741-00	C - 5		G - 7
8EK-1133F-00	B - 3	3FV-12584-00	B - 7	8EK-1417E-00	E - 13	8CH-14348-00	B - 15	8CH-15751-00	C - 5	8BV-17656-00	C - 8
8EK-1133G-00	B - 3	8EK-12661-00	B - 7	8EK-14171-00	B - 14	8EK-14348-00	B - 15	8DF-15753-00	C - 5	8CR-17660-10	C - 8
8EK-11351-00	B - 2	8DN-13100-00	B - 9	239-14172-10	B - 14	8EK-14349-00	B - 15	8F3-15755-00	C - 5	8CM-17665-00	C - 8
8DF-11354-02	B - 3	8CH-1316A-00	B - 9	302-14173-00	B - 14	8EK-14425-00	B - 10	8DF-15758-10	C - 5		G - 5
8DF-11397-10	B - 3	8DF-13185-00	B - 9	1FN-14174-00	B - 14	8EK-14431-00	B - 10	8F3-15758-00	C - 5	8BU-17670-10	C - 8
8EK-11400-00	B - 4	8DF-13187-00	B - 9	8EK-14185-00	B - 13	8EK-14441-00	B - 10	8CH-15767-00	C - 5	8CM-17675-00	C - 8
8DN-11412-00	B - 4	353-13552-01	C - 4	537-14186-00	B - 13	8EK-14451-00	B - 10	8DF-15768-00	C - 5		G - 5
8DN-11415-00	B - 4	8CH-13552-00	C - 4	89A-14188-00	B - 12	8CH-14452-00	B - 10	8R4-15780-00	E - 13	8CR-17681-10	C - 8
8DF-1142A-01	B - 4	8DF-13552-00	C - 4	1AE-14190-13	B - 13	8DF-14453-01	B - 10	8CW-17143-00	F - 15	8DW-17682-00	G - 6
8EK-11422-00	B - 4	8EK-13555-00	B - 10	12R-14191-00	B - 14	8EK-14454-00	B - 10	8CW-17243-00	F - 15	8DW-17682-10	G - 6
8EK-11432-00	B - 4	8DF-13573-00	B - 9	89A-14194-00	B - 13	8EK-14458-00	B - 10	8CW-17492-00	F - 15	8DW-17682-20	E - 7
8DF-11434-00	B - 4	8DF-13610-00	B - 10	8F2-14197-00	B - 15	8EK-14477-00	B - 10	8DM-1760A-18	F - 12		G - 6
8DF-11436-00	B - 4	2KM-13613-00	B - 10	620-14198-00	B - 12	2LN-14565-00	B - 13	8DS-17601-09	G - 7	8DW-17682-30	G - 6
8EK-11442-00	B - 4	8DF-13616-00	B - 10	89A-14198-00	B - 15	89A-14565-00	B - 12	8BV-17604-11	G - 5	8AV-17688-10	C - 8

NUMERICAL INDEX

PART NO.	GRID NO.	PART NO.	GRID NO.	PART NO.	GRID NO.	PART NO.	GRID NO.	PART NO.	GRID NO.	PART NO.	GRID NO.
8FB-17692-00	F - 15	8EK-21960-09	C - 12	8EK-23832-00	D - 3	3LC-25885-00	D - 11	8EA-47418-00	E - 3	8CW-47564-00	G - 2
82M-17699-00	E - 7	8EK-21970-09	C - 12	8EK-2384E-00	D - 2	8CR-2589F-00	D - 10	8DF-47419-00	D - 14	8CW-47571-00	G - 2
8CW-1811A-00	G - 2	8EK-21972-00	C - 13		D - 3	8CR-2589H-00	D - 11	8DF-47419-10	D - 14	8EK-47578-00	E - 13
8CW-18112-01	G - 2	8CR-21973-00	C - 14	8EK-2384F-00	D - 3	8CR-25919-00	D - 10	8CM-47421-40	D - 14	8DW-47587-70	G - 6
26H-18115-00	G - 3	8DN-21977-00	C - 12	J45-23845-00	G - 3	8CR-25924-00	D - 10	8CM-47422-10	D - 14	8DW-47587-80	E - 7
88T-18116-01	G - 3	8DN-21978-00	C - 14	8CR-23845-00	D - 5	8CR-25926-00	D - 10	8CR-47425-00	E - 3		G - 6
8CW-18152-01	G - 2	8DN-2198F-00	C - 13	8CR-23847-00	D - 5	8EK-26110-10	D - 5	8CR-47426-21	E - 3	8FB-47587-80	F - 15
8CW-18153-00	G - 2	8CR-2198G-01	C - 12	87S-23847-00	D - 5	8DM-26240-00	D - 13	8CR-47448-00	E - 2	8EK-47590-00	F - 15
8CW-18156-00	G - 3	8CR-2198J-00	C - 12	8DF-2385L-00	D - 3	4SV-26280-00	F - 10	8EK-4745A-00	E - 5	8CW-47591-00	G - 2
88T-18157-00	G - 3	8DF-21998-10	C - 14	8EK-23851-00	D - 2	4SV-26290-00	F - 10	8CR-4745B-00	E - 5	8CR-47612-00	E - 7
8CW-18161-01	G - 2	4AA-22259-40	E - 2	8EK-23852-00	D - 2	8EK-26311-00	D - 13	8EK-4745C-00	E - 5	8CR-47613-00	E - 7
8CL-18174-00	G - 2		E - 4	8DF-23857-00	D - 5	8EK-26320-00	B - 9	8DF-47456-10	E - 2	8CR-47631-01	C - 8
8CW-18197-00	F - 15	4AA-22259-50	E - 2	8CR-2386E-00	D - 3	8U9-26325-00	D - 13	8CM-47457-00	D - 14	8EK-47715-00	E - 6
8CW-18198-00	G - 2		E - 4	8CR-2386G-00	D - 3	8CR-26329-00	D - 13	8AX-47458-00	D - 14	8EK-7711A-00	E - 11
8CW-18511-00	F - 15	4AA-22259-60	E - 2	8CR-2386H-00	D - 3	8CH-26330-02	D - 13	8DF-47463-01	E - 3	8EK-7711B-00	E - 11
8EK-21415-00	C - 10		E - 4	8DF-23867-00	D - 7	8G8-26333-00	D - 13	8DF-47464-01	E - 3	8EK-77111-00	E - 9
8EK-21416-00	C - 10	8ED-23442-00	D - 5	8EK-23870-00	D - 7	8ED-26351-00	D - 11	8CR-47465-00	E - 2	8EK-77118-00	E - 9
8DF-21417-01	C - 10	8CR-23496-00	D - 12	8CJ-23872-00	D - 5	8M6-26391-01	D - 13	8V0-47468-00	D - 14	8EK-77125-00	E - 9
8DF-21418-00	C - 10	8EK-23711-00	C - 15	8CR-23872-00	D - 5	8EK-28100-00	E - 13	8CR-47475-00	E - 3	8EK-77126-00	E - 9
8EK-21425-00	C - 10	8EK-23712-00	C - 15	8CR-23881-00	D - 7	8OV-2835Y-90	E - 12	8K2-47479-01	D - 15	8CR-77128-00	C - 13
8EK-21426-00	C - 10	8EK-23731-00	C - 15	8EK-23882-00	D - 7	8EK-2838N-00	E - 12	8CH-47480-40	E - 4	8EK-77131-00	E - 9
8CR-21427-10	C - 10	8CR-23741-10	D - 2	1UY-23894-01	D - 5	8EK-2838R-00	E - 12	8CH-47480-50	E - 4	8EK-77132-00	E - 9
8DF-2145B-10	C - 10	8CR-23743-10	C - 15	8EK-24111-00	D - 8	8AC-4631K-00	E - 4	8CH-47480-60	E - 4	8EK-77133-00	E - 9
8CH-21486-10	C - 10	8EK-23751-00	C - 15	8DF-2412G-00	D - 6	8DN-47110-01	D - 14	8EK-47481-00	E - 2	8EK-77140-00	E - 9
8EK-21751-00	C - 11	8EK-2376A-00	D - 2	8AC-2414B-01	E - 11	8EK-47110-00	D - 14	8EK-47481-10	E - 2	8EK-77141-00	E - 11
8EK-21771-00	C - 11	8EK-2376A-10	D - 2	8CR-2418A-00	D - 8	8EA-47113-00	D - 14	8EK-47481-20	E - 2	89A-77159-00	E - 9
8EK-21772-00	C - 11	8EK-2376A-20	D - 2	8CR-24301-00	D - 8	8EA-47115-30	D - 14	82M-47485-02	E - 3	8V0-77171-00	E - 9
8EK-2191A-00	C - 12	8CR-2376B-00	D - 2	8CR-24311-10	D - 8	8CR-47310-10	D - 14	8CR-47486-00	E - 3	8EK-77196-00	E - 9
8EK-21912-00	C - 13	8CH-23760-40	C - 15	8CR-24335-00	D - 8		D - 15	8CR-47488-00	E - 3	8EK-77198-00	E - 12
8EK-21917-00	C - 12	8CH-23760-50	D - 2	8HO-24379-00	B - 9	8H8-47320-00	D - 15	8CX-47489-00	F - 11	8EK-77199-00	E - 9
8EK-21918-00	C - 12	8CH-23760-60	D - 2	8DF-24410-11	B - 10	8CV-47331-01	E - 2	8CX-47489-10	F - 11	8EK-77210-00	E - 12
8EK-21920-00	C - 12	8CX-23760-00	C - 15	89A-24452-00	C - 2	8CR-47332-10	E - 3	8DH-47489-00	F - 11	8EK-77213-00	E - 12
8EK-21921-00	C - 14	8CX-23760-10	C - 15	89A-24529-00	B - 14	8CH-47336-40	F - 11	8CX-47494-01	E - 4	8EK-7723A-00	E - 12
8EK-21923-00	C - 13	8EK-23766-00	C - 15	8H5-24560-00	D - 8	8CH-47336-50	F - 11	8CR-47495-00	E - 2	8EK-7723B-00	E - 12
8CR-21939-00	C - 12	8EK-23775-00	D - 3	8CW-24610-00	D - 8	8CH-47336-60	F - 11	8EK-47511-00	E - 6	8EK-77231-00	E - 12
8EK-2194J-00	C - 12	8EK-23788-00	C - 13	8EK-24612-00	D - 8	8CX-47336-00	F - 11	8L8-47520-02	D - 15	8EK-77238-00	E - 12
8EK-21940-09	C - 12	8EK-23803-00	D - 2	8EK-2470F-00	D - 9	8CX-47336-10	F - 11	8BW-47526-00	E - 6	8EK-77261-00	C - 14
8DF-21941-00	C - 13	8DF-23812-00	D - 5	8EK-24710-00	D - 9	8CX-47336-20	F - 11	8BW-47531-00	E - 6	8EK-77262-00	C - 14
8CR-21943-01	C - 12	8EG-23813-00	D - 5	8CR-2516A-00	D - 2	8CM-47341-00	D - 14	8BW-47532-10	E - 6	8EK-77263-00	C - 14
8EK-21949-00	C - 13	8K1-23814-00	D - 5	8CR-25730-00	D - 11	8CR-47341-01	D - 15	8CR-47541-01	E - 7	8EK-77264-00	C - 14
8CR-2195E-00	C - 13	8EK-23815-00	D - 7	8CR-25740-00	D - 11	8CR-47341-11	D - 15	8CR-47543-01	E - 7	8EK-77265-00	C - 14
8EK-21950-09	C - 12	8DM-2382E-10	D - 2	8DF-2580T-01	D - 10	8DF-47367-00	E - 5	8CW-47543-02	F - 15	8EK-77266-00	C - 14
8DF-21951-00	C - 13	8DM-2382F-10	D - 2	8DN-2581T-00	D - 10	8V0-4741B-00	D - 14	8CR-47546-00	E - 7	8EK-77267-00	C - 14
8CR-21953-00	C - 12	8CR-23821-00	D - 5	8DF-2582F-00	D - 10	8EA-47411-00	D - 14	8CR-47550-10	D - 15	8EK-77268-00	C - 14
8EK-21959-00	C - 13	8EK-23823-00	D - 2	8DF-25828-00	D - 10	8EA-47412-00	D - 14	8EK-47550-00	D - 15	8EK-77269-00	C - 14
8EK-2196A-00	C - 13		D - 3	55U-25854-00	D - 10	8CR-47415-00	E - 2	8EK-47550-10	D - 15	8EK-77271-00	E - 9
8EK-2196E-00	C - 13	8EK-23826-00	D - 6	8CR-25867-00	D - 11	8CR-47416-10	E - 3	8EK-47551-00	F - 8	8EK-77272-00	E - 13
8CR-2196F-00	C - 12	8CR-23831-00	D - 5	8ED-25872-00	D - 11	8CR-47417-01	E - 3	8CR-47558-01	E - 7	8EK-77273-00	E - 9

NUMERICAL INDEX

PART NO.	GRID NO.	PART NO.	GRID NO.	PART NO.	GRID NO.	PART NO.	GRID NO.	PART NO.	GRID NO.	PART NO.	GRID NO.
8EK-77274-00	E - 9	4H7-81843-50	F - 14	8DN-82970-00	F - 6	90101-10738	E - 2	90149-06330	D - 8	90201-100L3	E - 3
8EK-77275-00	E - 9	4H7-81844-50	F - 14	8CR-83383-00	G - 3		E - 4	90150-05040	C - 8	90201-100S0	D - 14
8EK-77276-00	E - 9	73A-81847-00	F - 14	8CW-83383-00	G - 3	90101-12780	D - 2		G - 5	90201-100S2	E - 5
8EK-77277-00	E - 12	8L6-81847-50	F - 14	8EK-83500-00	F - 3	90102-10044	D - 6	90150-08008	F - 12	90201-100U1	E - 4
8EK-77278-00	E - 9	8BB-8185A-00	F - 14	8EK-83500-10	F - 3	90105-05644	C - 6	90151-06010	D - 14	90201-101U2	E - 5
8EK-77279-00	E - 15	8CW-81850-00	F - 14	4XV-83513-00	F - 3		G - 7	90154-06062	C - 8	90201-10118	D - 11
8CR-77311-10	E - 13	4H7-81872-00	F - 14	4WM-83517-00	F - 3		G - 8	90154-06077	E - 15	90201-10136	E - 3
8CR-77315-00	E - 13	4BH-81940-00	F - 12	4WM-83517-10	F - 3	90105-060A6	D - 8	90154-06078	E - 9	90201-103U4	E - 4
8CR-77319-00	E - 13	8EK-81948-00	F - 8	8EK-8353E-00	F - 3		F - 15	90167-05043	B - 10	90201-10321	C - 10
83R-77327-00	E - 13	5DM-81950-00	F - 8	8EK-83548-00	F - 3		G - 2	90167-05078	E - 12		E - 8
8CR-77338-00	E - 13	8DM-81950-00	F - 8	8EK-83572-00	F - 3	90105-06734	C - 8		F - 4	90201-106F2	E - 5
8EK-77351-00	E - 11	8CY-81952-00	F - 12	JT1-83614-00	F - 13	90105-08043	B - 2	90167-05079	E - 12	90201-120T5	D - 2
8EK-77352-00	E - 11	5BN-81960-00	F - 7	85G-83663-00	F - 6	90105-08044	B - 2	90170-06289	G - 3	90201-121U3	D - 6
8EA-77371-30	D - 3	8EK-81965-00	F - 8	8EK-8368L-00	F - 4	90105-08094	D - 11	90170-10186	D - 5	90201-127E1	E - 7
8EA-77372-30	D - 4	8EK-82105-00	F - 12	8EK-8368M-00	F - 4	90105-08345	D - 11	90170-16425	B - 5	90201-12790	B - 2
8CR-77384-00	E - 13	11K-82110-62	F - 13	8EK-83755-00	F - 8	90105-08450	E - 3	90170-22094	E - 7	90201-141A3	C - 9
8EK-77511-00	E - 14	5K0-82110-N2	F - 13	8DN-83912-00	D - 10	90105-100A7	F - 15	90176-06055	E - 9	90201-16245	F - 15
8EK-77512-00	C - 13	8DY-82115-00	F - 12	8CR-83922-00	D - 11	90105-100A9	D - 2	90179-06264	F - 7	90201-205R6	D - 15
8EK-77541-00	E - 14	8FB-8212X-00	F - 12	84M-83928-00	F - 6		D - 3	90179-08655	C - 8	90201-207J5	E - 3
8EK-77542-00	E - 14	8DM-82122-00	F - 12	8EK-83950-00	D - 11	90105-103A1	E - 2	90179-10679	E - 7	90201-210U0	E - 2
8CR-77595-00	E - 14	8DM-82129-00	F - 12	85G-83956-00	F - 6		E - 3	90183-06053	E - 12	90201-222F0	C - 8
8DM-77711-00	E - 15	8DM-82131-10	F - 12	8AV-83963-00	F - 6	90105-10392	D - 14		E - 14	90201-225A4	C - 8
8DM-77741-00	E - 15	1AE-82151-00	F - 12	8CR-8398X-00	D - 10	90105-10433	E - 3		F - 4	90201-250T6	E - 3
8DM-77742-00	E - 15	5JJ-82151-20	F - 13	8R6-8399F-00	F - 6	90105-10436	E - 4	90183-06100	F - 4	90201-251G8	E - 3
8EK-77761-E0	E - 11	5JJ-82151-30	F - 12	8EK-8399N-00	F - 4	90105-105A0	E - 6	90185-10110	E - 3	90201-270U5	D - 10
8EK-77761-J0	E - 11	8EK-82170-00	F - 12	8EK-84310-00	F - 4	90105-10617	C - 14	90201-047R8	D - 14	90201-272U2	B - 4
8EK-77761-S0	E - 11	8CW-82176-00	F - 12	8EK-84312-00	F - 4	90105-10634	D - 10	90201-05029	E - 12	90201-301G3	D - 2
8FB-77761-E0	G - 3	8DN-82309-00	C - 2	8G9-84314-00	F - 4	90105-10712	C - 15	90201-05033	C - 13	90201-320S3	F - 15
8BD-77762-00	E - 13	8DF-82310-10	F - 7	8EK-84359-00	F - 4	90105-10739	E - 4	90201-05036	F - 3	90202-08204	C - 6
8BD-77762-21	E - 13	8DF-82310-20	F - 7	4XV-84540-00	F - 5	90105-10751	E - 8		F - 9		G - 7
86D-77762-00	E - 13	8DF-82310-30	F - 7	8DM-8471G-00	F - 8	90105-10769	E - 2	90201-06037	C - 8	90202-09227	C - 6
8DM-77763-E0	G - 3	8EK-82316-00	F - 7	137-84714-60	F - 5	90105-12010	D - 3	90201-06050	D - 11		G - 8
8EK-81410-00	F - 2	89L-82318-00	F - 6	3LK-8473A-00	F - 5	90105-14766	C - 9	90201-06071	G - 3	90202-14226	E - 4
8DN-81450-00	F - 2	8CW-8235W-01	F - 12	11H-85110-01	F - 9	90108-08002	C - 15	90201-06072	F - 10	90202-16229	E - 5
8CW-81800-01	F - 12	8DF-82370-00	F - 7	3Y6-85130-02	F - 9	90109-063E8	B - 2	90201-061H1	C - 8	90208-22001	E - 7
	F - 14	8EK-82509-00	F - 7	8EK-85540-00	F - 7	90109-06418	B - 2	90201-06380	F - 7	90210-06001	B - 6
8CW-81811-00	F - 14	8DM-82510-00	F - 8	8CR-85720-01	F - 8	90109-06513	F - 12	90201-06557	E - 9	90210-06006	B - 2
8CW-81812-00	F - 14	8CR-82530-01	D - 10	8CW-85752-00	D - 8	90109-083G2	C - 8	90201-06747	E - 2		B - 7
8L6-81813-50	F - 14	8EK-82541-00	F - 12	8CC-85790-01	B - 2	90110-05227	B - 9	90201-06778	F - 15		G - 2
3GD-81826-00	F - 14	8H8-82550-01	F - 6	8DF-85820-00	F - 7	90113-05053	C - 6	90201-084H7	B - 2	90210-08017	E - 8
73A-81829-00	F - 14	8H7-82552-01	F - 6	8DF-85829-00	F - 7	90113-06039	E - 6	90201-08403	D - 12	90249-06009	D - 11
73A-81829-50	F - 14	8H8-82557-00	F - 6	5FL-85885-00	B - 15	90113-06064	C - 8	90201-086A3	D - 9	90249-06012	D - 11
8CW-81832-00	F - 14	8AU-82575-09	F - 6	8DM-87283-00	F - 8		E - 6	90201-086P8	C - 15	90249-12227	E - 7
8CW-81833-00	F - 14	526-82579-00	F - 8	8DM-87283-10	F - 8	90116-06031	B - 2		D - 3	90261-06015	G - 4
8L6-81834-50	F - 14	87S-8259A-00	B - 14	8DM-87284-00	F - 8	90116-10411	B - 2	90201-08759	D - 6	90261-06017	G - 4
8L6-81835-50	F - 14	8EK-82590-00	F - 7	90101-06288	D - 11	90116-10506	B - 2	90201-08784	C - 15	90261-06019	G - 4
8CW-81836-00	F - 14	8DN-82720-00	F - 6	90101-08774	D - 15	90119-06182	B - 10		D - 8	90261-06028	G - 4
8CW-81840-00	F - 14	J51-82817-00	G - 2	90101-10357	E - 7	90119-08240	C - 5	90201-092U3	B - 3	90261-06033	C - 6

NUMERICAL INDEX

PART NO.	GRID NO.	PART NO.	GRID NO.	PART NO.	GRID NO.	PART NO.	GRID NO.	PART NO.	GRID NO.	PART NO.	GRID NO.
90261-06033	G - 4	90385-12036	C - 5	90445-08008	B - 7	90480-14023	F - 7	90508-500B1	G - 5	92907-16600	B - 5
90261-06034	C - 6	90386-12001	C - 5	90445-094K7	B - 11	90480-14101	C - 11	90508-536A9	C - 8	93102-12461	B - 6
	G - 4	90387-0514T	C - 6	90445-11730	B - 11	90480-18171	F - 5		G - 5	93102-35318	E - 7
90267-47186	B - 8		G - 7	90445-131H1	B - 9	90480-18276	F - 5	90508-556A2	G - 5	93102-35473	E - 7
	C - 12	90387-0514U	C - 6	90446-08382	C - 4	90501-06022	F - 15	90508-556A7	G - 5	93103-32153	B - 4
	D - 3		G - 7	90450-35001	B - 8	90501-06028	B - 9	91A20-05115	D - 8	93103-34181	B - 4
90267-47187	C - 13		G - 8	90450-53061	B - 10	90501-066J5	F - 15	91A30-03006	B - 9	93109-14021	E - 4
	E - 14	90387-06033	F - 5	90460-56073	B - 10	90501-083G4	B - 9	91A30-03008	B - 9	93109-15074	B - 3
90267-47195	B - 8	90387-06036	E - 15	90461-05003	C - 12	90501-08430	B - 9	91A30-03010	B - 9	93210-06632	B - 3
	C - 13	90387-06043	D - 11	90461-06142	C - 12		C - 11	91A30-03012	B - 9	93210-09165	B - 3
90267-47197	C - 12	90387-0608T	G - 3	90461-10148	C - 12		C - 4	91A30-05048	B - 9	93210-12131	F - 15
	C - 13	90387-0611K	E - 15	90461-12001	C - 4		D - 8	91A30-05085	C - 11	93210-191A1	B - 9
90267-48014	D - 13	90387-062M9	E - 9	90462-05059	C - 12	90501-08486	B - 11	91A30-07010	B - 9	93210-19123	B - 2
90267-48016	C - 12	90387-06241	E - 9	90462-08016	F - 12		B - 9	91314-08035	D - 2	93210-25071	E - 8
90267-48018	C - 13	90387-063G3	C - 11	90462-08237	B - 9		C - 11	91316-06022	D - 11	93210-41041	D - 8
	E - 9		F - 7	90462-08239	B - 10	90501-085L6	B - 11	91317-05014	F - 2	93306-00004	B - 6
90267-48057	C - 12	90387-06605	G - 2	90464-06253	B - 3	90501-085L7	B - 11	91317-05016	B - 3	93306-00106	B - 6
90267-48095	D - 7	90387-06681	E - 10	90464-12045	F - 8	90501-08668	D - 8	91317-06020	F - 7	93306-00444	D - 15
90267-48169	C - 14	90387-0714B	F - 7	90464-13073	C - 11	90501-120L7	B - 3	91317-06040	F - 7	93306-20402	E - 7
	F - 8	90387-08015	C - 13		F - 12	90501-12002	B - 7	91401-20020	C - 15	93306-20468	F - 15
90267-48176	C - 12	90387-081M9	D - 12		F - 8	90501-144L4	B - 7	91401-25020	D - 5	93306-20589	E - 6
90267-48177	E - 13	90387-0811L	C - 5	90464-13077	F - 8	90501-326J6	G - 2	91401-30025	D - 15	93306-20592	E - 7
90267-48194	D - 14	90387-083G6	E - 4	90464-15195	F - 12	90501-551L3	G - 4	91490-20015	D - 11	93306-20722	B - 4
90267-48199	D - 14	90387-084R5	D - 11		F - 7	90501-551L9	G - 4	91609-30010	B - 4	93306-20723	B - 4
90267-50004	C - 14	90387-087L3	D - 3		F - 8	90501-552L5	G - 5		D - 13	93310-32009	B - 4
90269-07080	C - 13	90387-090R0	D - 5	90465-12011	F - 2	90501-581L5	G - 4	91609-40022	G - 2	93310-5270A	B - 4
90280-05033	B - 4	90387-1007M	E - 4	90467-07055	B - 9	90501-581L6	G - 4	91609-50022	F - 15	93315-21227	E - 7
90281-07004	D - 10	90387-1007N	E - 4	90467-08092	F - 12	90501-582L1	G - 4	91609-50032	C - 6	93315-21454	E - 4
90338-30256	C - 14	90387-10079	D - 14	90467-09001	D - 8	90501-582L2	G - 4	91701-06022	G - 3	93315-21455	E - 4
90338-44093	C - 14	90387-1009K	D - 3	90467-09026	B - 11	90501-582L6	G - 5	91701-06035	G - 2	93317-21578	F - 15
90380-08244	C - 6	90387-1009S	E - 4		B - 9	90501-582L7	G - 5	92017-06014	D - 11	93317-33179	F - 15
90380-09245	C - 6	90387-1009T	E - 2	90467-10035	B - 15	90501-583L0	G - 5	92017-08012	C - 5	93317-41767	D - 6
90380-22232	E - 5	90387-1012H	C - 15	90467-11032	B - 11	90501-583L1	G - 5	92017-08020	D - 12	93317-41785	D - 6
90380-28235	E - 5	90387-105G5	E - 2		B - 9	90501-583L4	G - 4	92902-08100	C - 5	93390-00028	B - 4
90380-28237	C - 6	90387-1404R	E - 4		D - 8	90501-583L5	G - 4	92907-03100	B - 10	93399-99943	C - 8
	G - 8	90387-1407L	C - 8	90467-11090	B - 3	90501-601L7	G - 4	92907-06100	F - 2	93410-27080	D - 10
90381-14101	E - 2	90387-2004V	D - 15		B - 8	90501-601L8	G - 4	92907-06200	G - 2	93440-39175	F - 15
90381-15112	E - 2	90387-2008G	F - 15	90467-28046	B - 8	90501-602L3	G - 4	92907-06600	B - 10	93440-72049	B - 4
90381-17110	D - 3	90387-2012C	D - 15	90468-02025	B - 9	90501-602L8	G - 5		B - 7	93450-21053	B - 4
90381-19111	E - 2	90387-2012D	D - 15		C - 4	90501-602L9	G - 5		C - 6	93604-08071	B - 2
90381-22099	E - 3	90387-2012E	D - 15	90468-02078	B - 9	90501-603L2	C - 6		F - 2	93605-10108	C - 4
90381-25115	D - 2	90387-220X0	D - 13		D - 8		G - 5		G - 7	93606-20044	F - 15
90381-28108	E - 3	90387-2508B	E - 8	90468-04092	D - 8	90501-603L3	G - 5	92907-08600	C - 5	93700-06004	D - 2
90384-16251	D - 2	90387-2508C	E - 8	90468-06001	E - 9	90501-624L8	G - 5		D - 5		E - 5
	E - 5	90387-2508D	E - 7	90468-10050	G - 2	90506-14343	G - 2	92907-10100	F - 15	94702-00188	B - 2
90384-38243	C - 8	90387-2511J	E - 8	90468-12006	D - 5	90506-20272	C - 3	92907-10200	C - 14	94709-00188	B - 2
90384-41242	C - 6	90401-10159	D - 11	90468-12007	G - 3	90508-291B1	D - 11	92907-16100	C - 7	94890-09068	E - 7
	G - 8	90430-06166	B - 6	90480-01003	B - 7	90508-291B2	D - 11		G - 7		G - 6

NUMERICAL INDEX

PART NO.	GRID NO.	PART NO.	GRID NO.	PART NO.	GRID NO.	PART NO.	GRID NO.	PART NO.	GRID NO.	PART NO.	GRID NO.
94890-09070	G - 6	95707-06500	C - 3	95827-08220	E - 4	99009-25400	D - 15				
95027-06008	F - 12		C - 5	95827-10025	C - 10		D - 2				
95027-08030	F - 12		F - 13	95827-10060	E - 7	99009-28500	B - 6				
95027-08080	F - 12		F - 7	95827-10065	C - 14	99009-42500	D - 15				
95302-05700	B - 14	95707-08300	B - 9	97007-05020	G - 3	99009-52500	E - 7				
95304-06600	G - 3		C - 15	97007-06010	F - 8	99530-10114	B - 2				
95307-06600	F - 12		D - 5	97007-06025	E - 2	99530-12016	C - 4				
	F - 5		D - 8	97007-06030	F - 7	99530-14016	B - 2				
95307-06700	D - 11		D - 9	97007-08014	E - 8						
95307-08700	D - 11		F - 8	97017-06025	B - 10						
95307-10600	E - 7	95707-08500	C - 13	97017-06030	C - 6						
95307-10700	D - 5		C - 8		G - 7						
95314-14600	D - 3		D - 11	9702M-08055	C - 15						
95317-12600	D - 2		E - 2	9702M-08100	C - 15						
	D - 3	95707-10300	D - 15	97027-06020	B - 7						
95604-08200	D - 2		D - 5	97027-08035	C - 5						
95607-04100	G - 2	95707-10500	B - 2	97027-08055	C - 15						
95607-05200	C - 6		C - 10		D - 5						
	G - 7		C - 14	97027-08100	C - 15						
	G - 8		D - 5	97027-10025	E - 5						
95607-06100	E - 10	95807-06012	B - 7	97602-04116	B - 15						
95607-06200	F - 10	95807-06016	E - 10	97602-05110	B - 15						
	F - 7		E - 14	97605-04110	B - 15						
	G - 2		E - 9	97707-30614	F - 6						
	G - 3		F - 4	97707-50012	E - 12						
95607-08200	C - 13	95807-06020	F - 7	97707-50016	F - 3						
	D - 15	95807-08020	C - 13	98501-04014	B - 14						
	D - 3	95807-08025	B - 6	98502-04010	B - 14						
	E - 4	95807-08035	C - 13	98502-05012	B - 15						
95607-10100	E - 3	95814-06025	B - 6	98507-03006	B - 10						
	E - 4	95817-06016	B - 7	98507-05010	F - 7						
95607-10200	C - 15	95817-06020	B - 6	98507-06012	C - 4						
	D - 14	95817-06025	G - 3	98507-06014	F - 13						
	D - 2	95817-06035	G - 2	98507-06030	F - 2						
	D - 3	95817-08025	C - 10	98702-04014	B - 15						
	E - 2	95817-08080	C - 4	98702-05008	B - 15						
	E - 5	95817-10025	E - 2	98706-04012	D - 10						
95607-12200	D - 3	95817-10085	D - 14	98907-04016	G - 2						
	D - 6	95827-06012	B - 6	98907-05008	D - 8						
95607-14200	D - 15	95827-06014	C - 5	98907-06012	E - 15						
95617-08630	C - 8	95827-06016	D - 7	98907-06014	E - 12						
9570M-08300	C - 15	95827-06025	C - 11	98907-06020	E - 12						
95707-05300	D - 10		G - 2	98907-06025	F - 7						
	F - 9	95827-06040	G - 2	99001-04600	F - 6						
95707-05500	F - 9	95827-08016	D - 7	99001-06600	B - 3						
	G - 3		E - 14	99009-12400	E - 7						
95707-06300	E - 2	95827-08030	E - 7		G - 2						
95707-06500	B - 11	95827-08040	C - 4	99009-20400	D - 15						

# CONTENTS

## ENGINE

CYLINDER HEAD .....	B2
CRANKSHAFT. PISTON .....	B4
WATER PUMP .....	B6
RADIATOR. HOSE .....	B7
OIL PUMP .....	B9
INTAKE .....	B10
CARBURETOR .....	B12
EXHAUST .....	C3
CRANKCASE .....	C4
STARTER .....	C5

## DRIVE

PRIMARY SHEAVE .....	C6
SECONDARY SHEAVE .....	C8

## BODY

ENGINE BRACKET .....	C10
OIL TANK .....	C11
FRAME .....	C12
SKI .....	C15
STEERING .....	D5
STEERING GATE .....	D7
FUEL TANK .....	D8
SEAT .....	D9
BRAKE .....	D10
CONTROL CABLE .....	D13
TRACK SUSPENSION 1 .....	D14
TRACK SUSPENSION 2 .....	E2
TRACK DRIVE 1 .....	E6
TRACK DRIVE 2 .....	E7
SHROUD .....	E9
EMBLEM .....	E11
WINDSHIELD .....	E12

GUARD. LUGGAGE BOX .....	E13
BUMPER .....	E14
INSTRUMENT PANEL .....	E15

## ELECTRICAL

GENERATOR .....	F2
METER .....	F3
HEADLIGHT .....	F4
TAILLIGHT .....	F5
HANDLE SWITCH. LEVER .....	F6
ELECTRICAL 1 .....	F7
ELECTRICAL 2 .....	F9
ALTERNATE (BODY/RIG) .....	F10
ALTERNATE (REAR SUSPENSION) .....	F11
ALTERNATE (ELECTRICAL) .....	F12
ALTERNATE (ELECTRICAL) .....	F14
ALTERNATE (DRIVE) .....	F15
ALTERNATE (DRIVE SETTING 1) .....	G4
ALTERNATE (DRIVE SETTING 2) .....	G6
ALTERNATE (DRIVE) .....	G7
ALTERNATE (DRIVE) .....	G8

## INDEX

NUMERICAL INDEX .....	M1
-----------------------	----