

**PARTS
CATALOGUE
CATALOGO
DE REPUESTOS**

F50DET'03(60A3)

2B60A-200S1

YAMAHA
GENUINE
Parts & Accessories

A1

FOREWORD

This Parts Catalogue is related to the parts for the model(s) in the below frame. When you are ordering replacement parts, please refer to this Parts Catalogue and quote both part numbers and part names correctly.

F50DET'03(60A3)

1. Modifications or additions which have been made after issue of the Parts Catalogue will be announced in the Yamaha Parts News.
It is advisable that you make necessary corrections to the Parts Catalogue according to the Yamaha Parts News.

2. Abbreviations

The Following abbreviations are used in this Parts Catalogue.

“UR” Use specified parts number.

“UN” Use as many as needed.

“AP” Alternate Parts

“LM” Local Made
(Parts need to be ordered locally)

“O/S” Over Size

3. Parts, which are to be supplied in an assembly, are listed with a dot(.) in front of the part name as shown below.

EXAMPLE

CARBURETOR ASSY

.JET, PILOT

.NOZZLE, MAIN

4. Number of component for assembly

The numeral appearing to the right of each component part indicates the quantity of parts for each assembly unit.

EXAMPLE

PART NO.	DESCRIPTION	u	u	u	u	REMARKS
6E0-85500-70	C.D.I. MAGNETO ASSY	1				
6E0-85550-70	.ROTOR ASSY	1				
6E0-15723-00-94..	PULLY, STARTER	1				

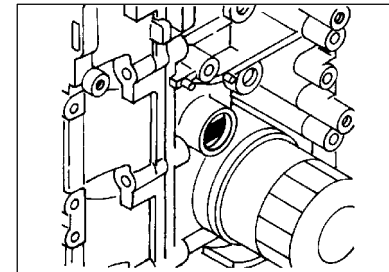
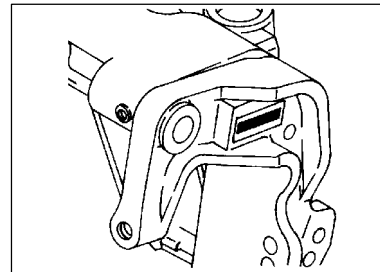
5. Quantity Column Information

NAME for Q'TY COLUMN	APPLICABLE MODEL
F50D	F50DET

6. Applicable Starting Serial No. and Color Code

1) Engine Starting Sserial No.

F50DET L 62YZ : 1000001



2) Color Code

Color Code	Color Name	Abbreviation
004D	DARK BLUISH GRAY METALLIC 2	DBNM2

7. Note that the illustrations for reference in finding parts numbers, not to be used for assembling. When assembling, please use the applicable service manual.

8. The asterisk (*) before a reference number indicates modification items after the first edition.

CONTENTS

SHEET 1/2

TOP COWLING	A4
CYLINDER. CRANKCASE 1	A5
CRANKSHAFT. PISTON	A7
CYLINDER. CRANKCASE 2	B1
VALVE	B3
INTAKE	B4
CARBURETOR	B6
OIL PUMP	C1
FUEL	C2
GENERATOR	C4
ELECTRICAL 1	C5
ELECTRICAL 2	C6
ELECTRICAL 3	D1
STARTING MOTOR	D2
BOTTOM COWLING	D3
CONTROL	D5
BRACKET 1	D7
BRACKET 2	E2
POWER TRIM & TILT ASSY 1	E4
POWER TRIM & TILT ASSY 2	E7
UPPER CASING	F1
OIL PAN	F3
LOWER CASING. DRIVE 1	F4
LOWER CASING. DRIVE 2	F7

INDEX

NUMERICAL INDEX	G1
-----------------------	----

SHEET 2/2

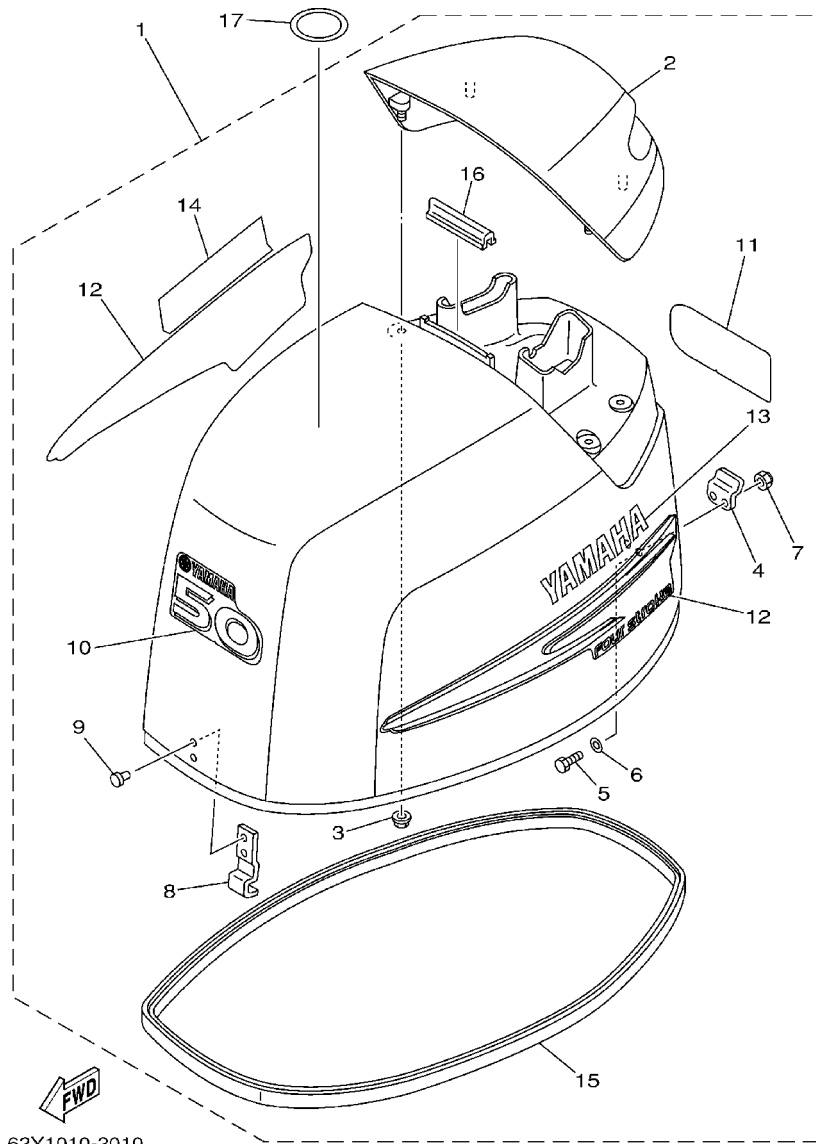
LOWER CASING. DRIVE 2	A4*
FUEL TANK	A5*
STEERING GUIDE	A6*
REMOTE CONTROL BOX	A7*
REMOTE CONTROL ASSY	B1*
METER	B4*
REPAIR KIT 1	B5*
REPAIR KIT 2	B6*
REPAIR KIT 3	B7*

INDEX

NUMERICAL INDEX	G1*
-----------------------	-----

FIG. 1 TOP COWLING

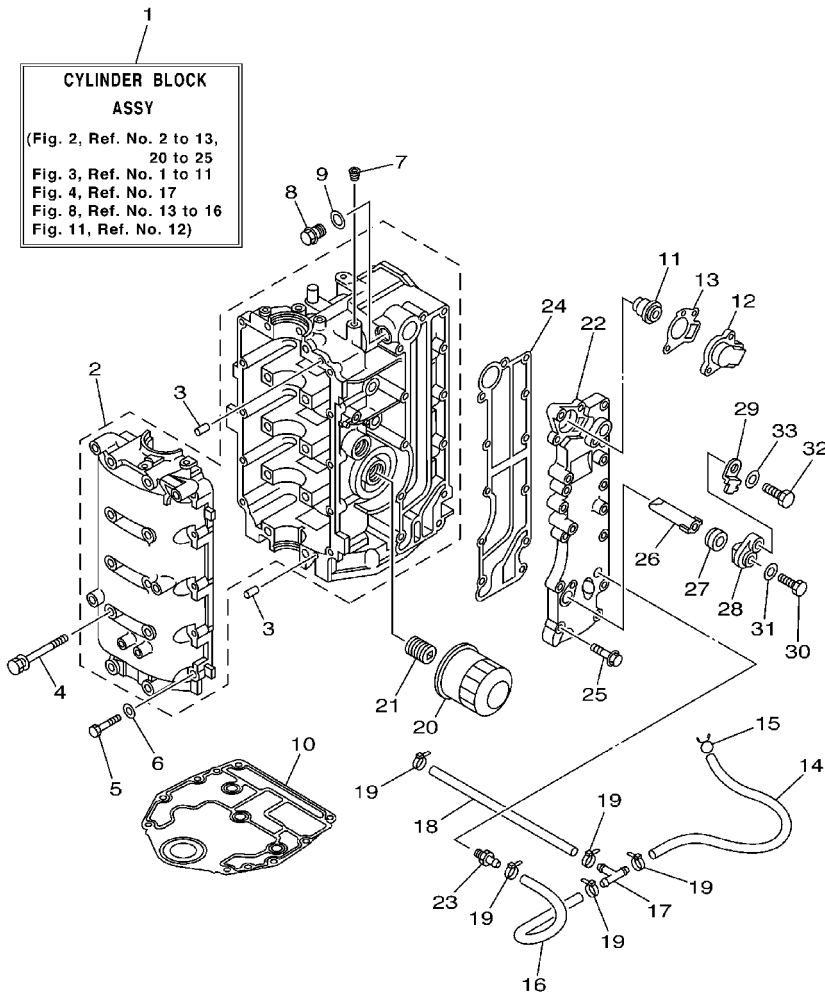
SOPORTE SUPERIOR



62Y1010-2010

REF. NO.	PART NO. CODIGO NO.	DESCRIPTION DESCRIPTION	F50D				REMARKS OBSERVACION
1	62Y-42610-30-4D	TOP COWLING ASSY SOPORTE SUPERIOR COMPL.	1				
2	62Y-42613-00-4D	.MOLDING, AIR DUCT .MOLDURA CONDUCTO AIRE	1				
3	90179-06M24	.NUT .TUERCA	4				
4	62Y-42652-00	.HOOK .GANCHO	1				
5	97095-05016	.BOLT .PERNO	2				
6	92995-05600	.WASHER .ARANDELA	2				
7	95780-05300	.NUT, NYLON .TUERCA	2				
8	62Y-42651-00	.HOOK .GANCHO	1				
9	90266-06M02	.RIVET .REMACHE	2				
10	62Y-42677-30	.GRAPHIC, FRONT .CALCAMONIA, FRONTAL	1				
11	62Y-42678-30	.GRAPHIC, REAR .CALCAMONIA TRASERA	1				
12	62Y-W0070-10	.GRAPHIC SET .JUEGO DE EMBLEMA	1				
13	62Y-42681-10	.MARK, COWLING .MARCA DE CUBIERTA	1				
14	62Y-42682-10	.MARK, COWLING .MARCA DE CUBIERTA	1				
15	62Y-42615-10	.SEAL .SELLO	1				
16	61N-42628-00	.SEAL .SELLO DE GOMA	1				
17	67F-13434-02	LABEL, CAUTION ETIQUETA DE PRECAUCION	1				

FIG. 2 CYLINDER. CRANKCASE 1 CYLINDRO. CARTER 1

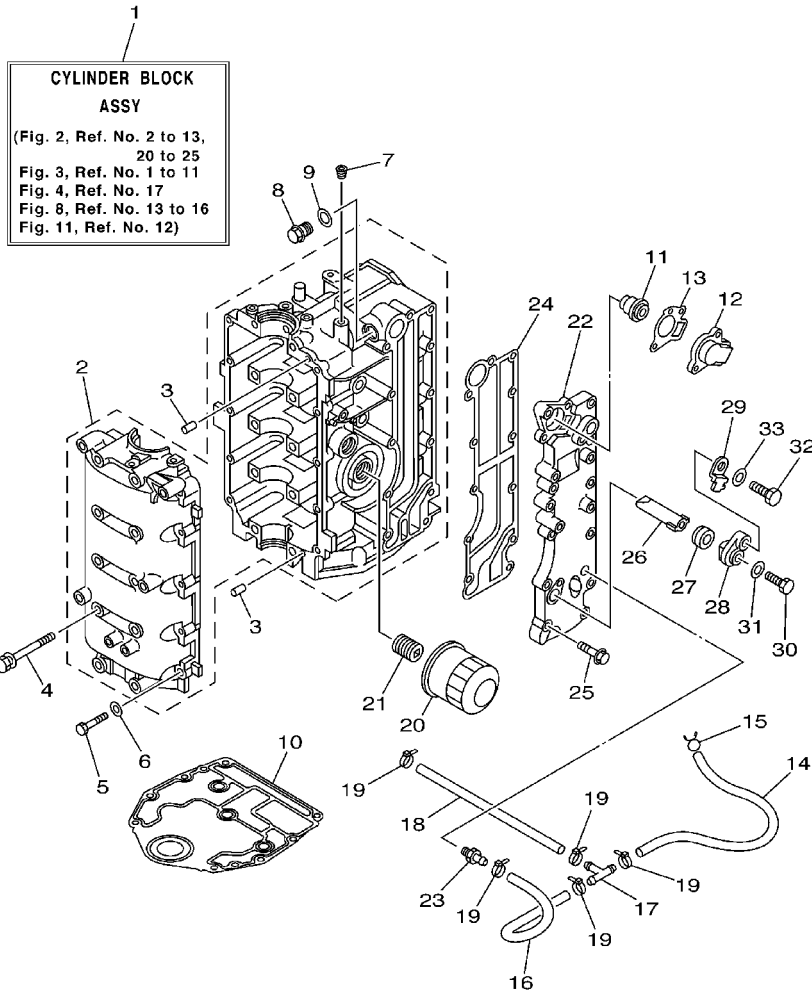


CYLINDER BLOCK ASSY
 (Fig. 2, Ref. No. 2 to 13,
 20 to 25
 Fig. 3, Ref. No. 1 to 11
 Fig. 4, Ref. No. 17
 Fig. 8, Ref. No. 13 to 16
 Fig. 11, Ref. No. 12)

REF. NO.	PART NO. CODIGO NO.	DESCRIPTION DESCRIPTION	F50D				REMARKS OBSERVACION
1	60A-W009B-00-1S	CYLINDER BLOCK ASSY CYLINDRO BLOQUE COMPLETO	1				
2	64J-15100-00-1S	CRANKCASE ASSY CARTER COMPLETO	1				
3	93606-12019	PIN, DOWEL PASADOR DE CLAVIJA	4				
4	90119-08M01	BOLT, WITH WASHER TORNILLO CON ARANDELA	10				
5	97013-06035	BOLT PERNO	10				
6	92903-06600	WASHER, PLATE RONDANA SENCILLA	10				
7	90344-51003	PLUG, TAPER SCREW TAPON DE TORNILLO AHUSADO	1				
8	90340-14M06	PLUG, STRAIGHT SCREW TORNILLO, DE DRENAJE	1				
9	90430-14115	GASKET JUNTA	1				
10	67C-11351-00	GASKET, CYLINDER JUNTA, DE CILINDRO	1				
11	6G8-12411-02	THERMOSTAT TERMOSTAT	1				
12	6H3-12413-00-1S	COVER, THERMOSTAT CUBIERTA TERMOSTATO	1				
13	62Y-12414-00	GASKET, COVER EMPAQUE	1				
14	90445-09105	HOSE (L300) TUBO (L300)	1				
15	90467-08M18	CLIP PRESILLA	1				
16	90445-09068	HOSE (L110) TUBO (L110)	1				
17	688-24378-00	PIPE, JOINT 4 TUBO DE UNION 4	1				
18	90445-09095	HOSE (L215) TUBO (L215)	1				
19	90465-11M10	CLAMP BRIDA	5				
20	5GH-13440-00	ELEMENT ASSY, OIL CLEANER ELEMENTO FILTRO DE ACEITE	1				
21	90401-20M00	BOLT, UNION PERNO DE UNION	1				
22	62Y-41113-20-1S	OUTER COVER, EXHAUST CUBOERTA EXTERIOR DE ESCAPE	1				
23	62Y-12481-10	PIPE 1 TUBO 1	1				
24	62Y-41114-00	GASKET, EXHAUST OUTER COVER EMPAQUE	1				
25	90119-06MA5	BOLT, WITH WASHER TORNILLO CON ARANDELA	12				
26	62Y-11325-00	ANODE ANODO	1				
27	66M-11328-00	GROMMET, ANODE TAPON	1				

FWD
 60A2200-2020

FIG. 2 CYLINDER. CRANKCASE 1 CYLINDRO. CARTER 1

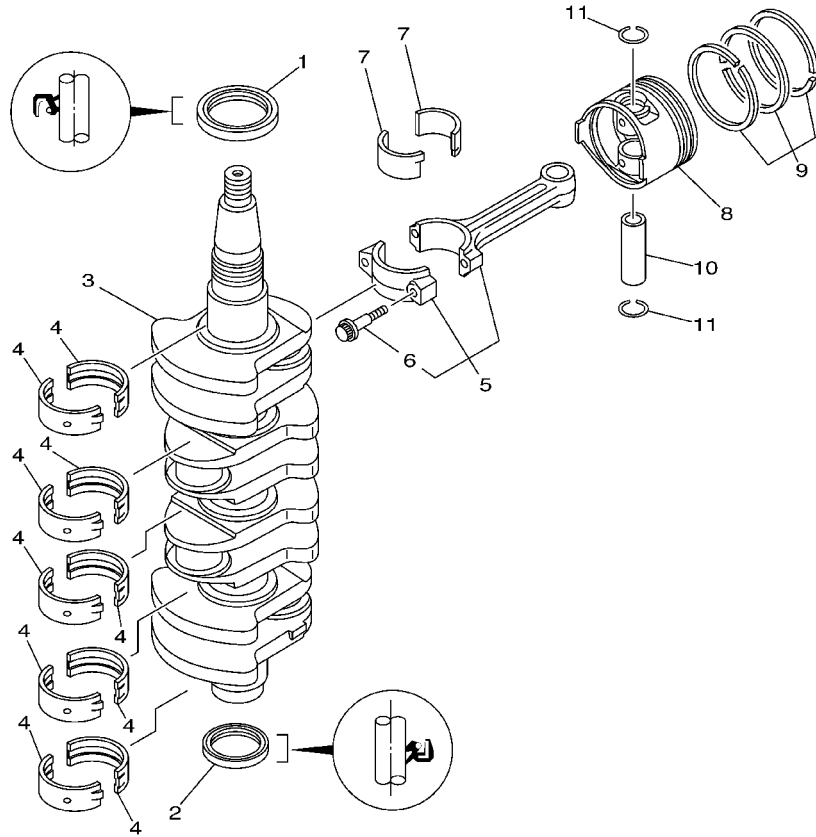


REF. NO.	PART NO. CODIGO NO.	DESCRIPTION DESCRIPTION	F50D					REMARKS OBSERVACION
28	66M-11327-00-94	COVER, ANODE CUBIERTA	1					
29	66M-12535-00	PLATE EMPAQUETADURA	1					
30	97095-05012	BOLT PERNO	1					
31	92995-05600	WASHER ARANDELA	1					
32	97095-06020	BOLT PERNO	1					
33	92995-06600	WASHER ARANDELA	1					

FWD
60A2200-2020

FIG. 3 CRANKSHAFT. PISTON

CIGUENAL. PISTON

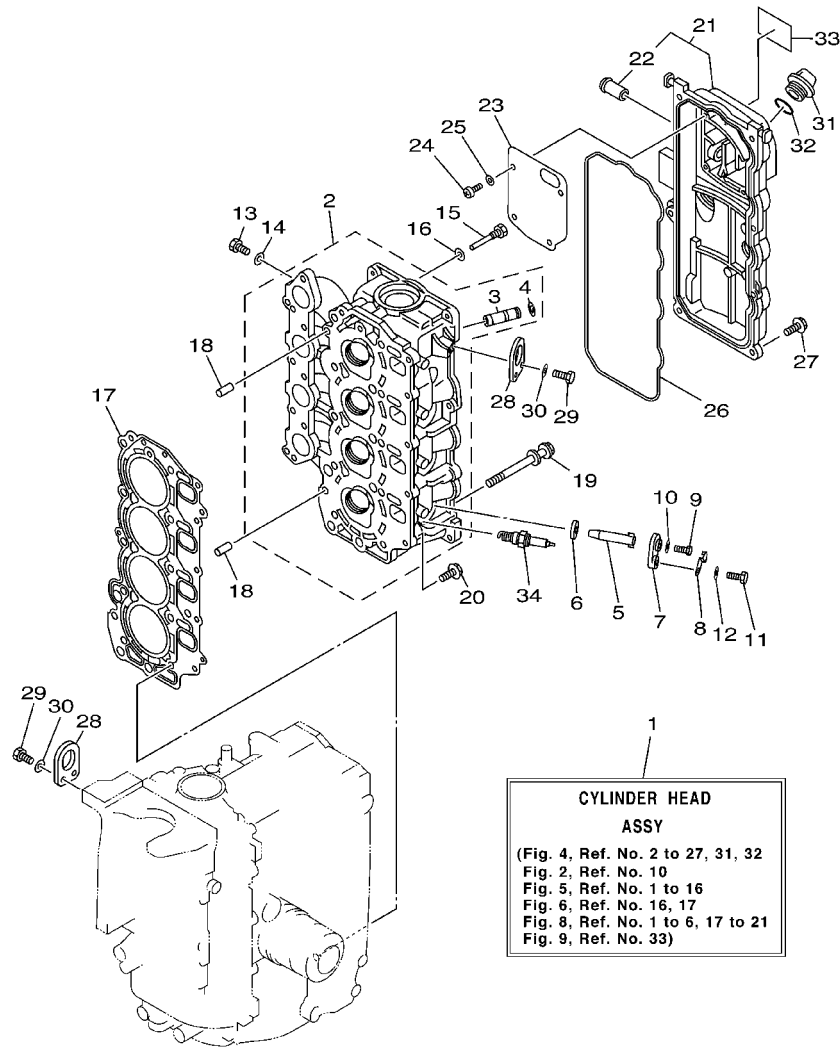


REF. NO.	PART NO. CODIGO NO.	DESCRIPTION DESCRIPTION	F50D				REMARKS OBSERVACION
1	93102-43M42	OIL SEAL RETEN DE ACEITE	1				
2	93101-35002	OIL SEAL RETEN DE ACEITE	1				
3	69W-11411-00	CRANKSHAFT CIGUENAL	1				
4	62Y-11416-30	PLANE BEARING, CRANKSHAFT 1 COJINETE PLANO 1	10				UR YELLOW
	62Y-11416-40	PLANE BEARING, CRANKSHAFT 1 COJINETE PLANO 1	10				UR RED
	62Y-11416-50	PLANE BEARING, CRANKSHAFT 1 COJINETE PLANO 1	10				UR PINK
	62Y-11416-60	PLANE BEARING, CRANKSHAFT 1 COJINETE PLANO 1	10				UR GREEN
5	62Y-11650-10	CONNECTING ROD ASSY BIELA COMPLETA	4				
6	62Y-11654-00	.BOLT, CONNECTING ROD .TORNILLO DE BIELA	2				
7	62Y-11656-30	PLANE BEARING, CONNECTING ROD COJINETE PLANO	8				UR YELLOW
	62Y-11656-40	PLANE BEARING, CONNECTING ROD COJINETE PLANO	8				UR RED
	62Y-11656-50	PLANE BEARING, CONNECTING ROD COJINETE PLANO	8				UR PINK
	62Y-11656-60	PLANE BEARING, CONNECTING ROD COJINETE PLANO	8				UR GREEN
8	62Y-11631-10-96	PISTON (STD) PISTON (NORMA)	4				
	62Y-11635-10	PISTON (0.25MM O/S) PISTON (0.25MM O/S)	4				AP
	62Y-11636-10	PISTON (0.50MM O/S) PISTON (0.50MM O/S)	4				AP
9	64J-11603-00	PISTON RING SET (STD) JUEGO DE ANILLOS (NORMA)	4				
	64J-11604-00	PISTON RING SET (0.25MM O/S) JUEGO DE ANILLOS (0.25MM O/S)	4				AP
	64J-11605-00	PISTON RING SET (0.50MM O/S) JUEGO DE ANILLOS (0.50MM O/S)	4				AP
10	62Y-11633-00	PIN, PISTON PASADOR, PISTON	4				
11	93450-17129	CIRCLIP SEGURO	8				



62Y0010-1031

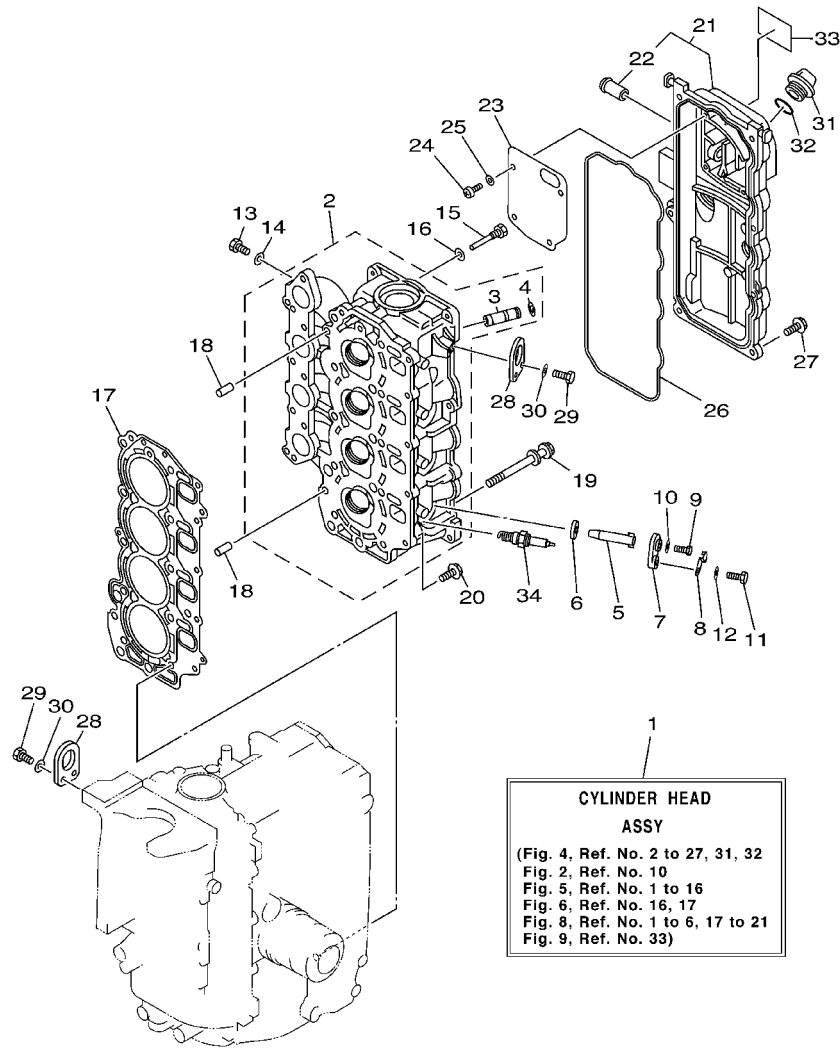
FIG. 4 CYLINDER. CRANKCASE 2 CYLINDRO. CARTER 2



FWD
62Y2300-3040

REF. NO.	PART NO. CODIGO NO.	DESCRIPTION DESCRIPTION	F50D				REMARKS OBSERVACION
1	64J-W009A-01-1S	CYLINDER HEAD ASSY CILINDRO CULATA COMPLETO	1				
2	64J-11111-00-1S	HEAD, CYLINDER 1 CULATA CILINDRO 1	1				
3	62Y-11133-30	.GUIDE, INTAKE VALVE .GUIA VALV.DE ADM.	8				
4	93450-09M01	.CIRCLIP .SEGURO	8				
5	62Y-11325-00	ANODE ANODO	4				
6	66M-11328-00	GROMMET, ANODE TAPON	4				
7	66M-11327-00-94	COVER, ANODE CUBIERTA	4				
8	66M-12535-00	PLATE EMPAQUETADURA	4				
9	97095-05012	BOLT PERNO	4				
10	92995-05600	WASHER ARANDELA	4				
11	97095-06020	BOLT PERNO	4				
12	92995-06600	WASHER ARANDELA	4				
13	97095-06010	BOLT PERNO	4				
14	90430-06014	GASKET JUNTA	4				
15	90109-06M65	BOLT PERNO	1				
16	90430-06014	GASKET JUNTA	1				
17	62Y-11181-00	GASKET, CYLINDER HEAD 1 JUNTA, DE CULATA 1	1				
18	99530-08012	PIN, DOWEL PASADOR, DE CLAVIJA	2				
19	90119-09M00	BOLT, WITH WASHER TORNILLO CON ARANDELA	10				
20	90119-06MA3	BOLT, WITH WASHER TORNILLO CON ARANDELA	5				
21	62Y-11191-01-1S	COVER, CYLINDER HEAD 1 TAPA CULATA DE CILINDRO 1	1				
22	62Y-14485-00	.PIPE, JOINT .TUBO DE UNION	1				
23	62Y-11168-00	COVER, BREATHER CUBIERTA RESPIRADERO	1				
24	98507-04010	SCREW TORNILLO DE CABEZA CON PLANA	4				
25	92907-04600	WASHER ARANDELA	4				
26	62Y-11356-00	SEAL, CYLINDER 2 RETEN ACEITE CILINDRO 2	1				
27	97595-06520	BOLT, WITH WASHER PERNO CON ARANDELA RONDELLE	7				

FIG. 4 CYLINDER. CRANKCASE 2 CYLINDRO. CARTER 2



CYLINDER HEAD ASSY
 (Fig. 4, Ref. No. 2 to 27, 31, 32
 Fig. 2, Ref. No. 10
 Fig. 5, Ref. No. 1 to 16
 Fig. 6, Ref. No. 16, 17
 Fig. 8, Ref. No. 1 to 6, 17 to 21
 Fig. 9, Ref. No. 33)



62Y2300-3040

REF. NO.	PART NO. CODIGO NO.	DESCRIPTION DESCRIPTION	F50D					REMARKS OBSERVACION
28	62Y-11119-00	HANGER, ENGINE SOPORTE DEL MOTOR	2					
29	97095-06020	BOLT PERNO	4					
30	92995-06600	WASHER ARANDELA	4					
31	6G8-15363-00	PLUG, OIL TAPON DE ACEITE	1					
32	93210-24M79	O-RING JUNTA TORICA	1					
33	62Y-12138-60	MARK, CAUTION MARKER	1					
34	94701-00375	PLUG, SPARK (NGK DPR6EA-9) BUJIA (NGK DPR6EA-9)	4					

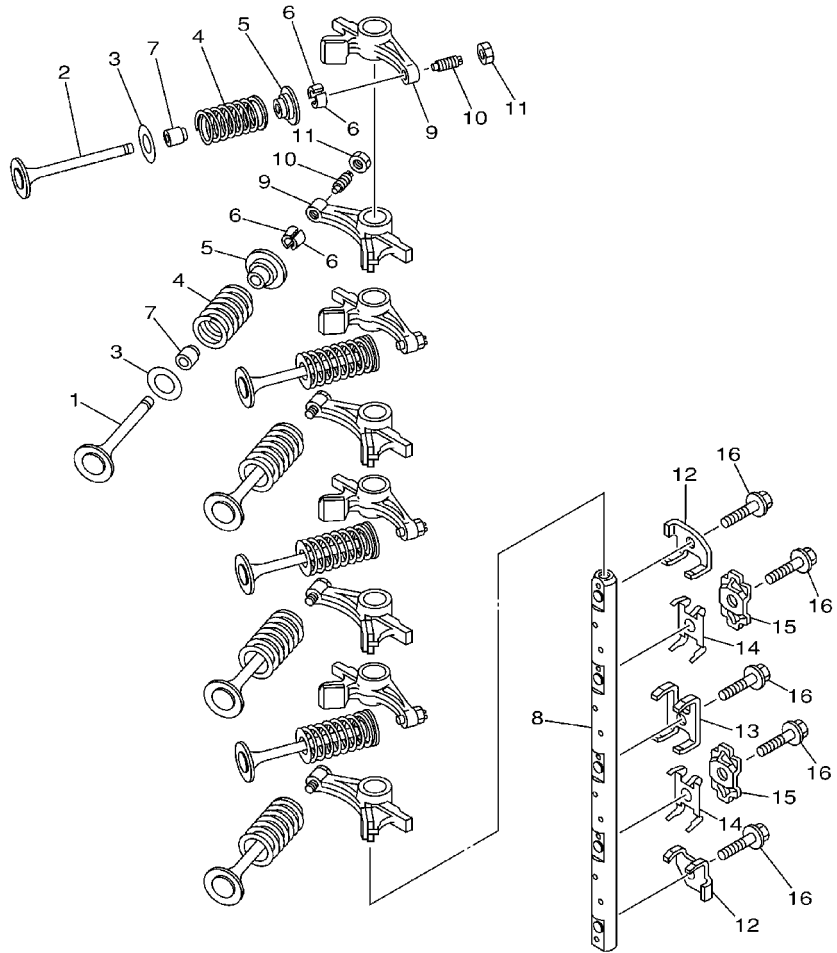


FIG. 5 VALVE

VALVULA

REF. NO.	PART NO. CODIGO NO.	DESCRIPTION DESCRIPTION	F50D				REMARKS OBSERVACION
1	64J-12111-00	VALVE, INTAKE VALVULA DE ADMISION	4				
2	64J-12121-00	VALVE, EXHAUST VALVULA DE ESCAPE	4				
3	62Y-12116-00	SEAT, VALVE SPRING ASIENTO RESORTE DE VALVULA	8				
4	51Y-12114-00	SPRING, VALVE OUTER RESORTE VALVULA EXTERIOR	8				
5	30X-12117-00	RETAINER, VALVE SPRING RETEN RESORTE DE VALVULA	8				
6	30X-12118-00	COTTER, VALVE SEGURO DE VALVULA	16				
7	51Y-12119-00	SEAL, VALVE STEM SELLO DE ACEITE VALVULA	8				
8	62Y-12146-00	SHAFT, ROCKER ARBOL DE BALANCIN	1				
9	62Y-12151-00	ARM, VALVE ROCKER BRAZO DE BALANCIN DE VALVULA	8				
10	64J-12159-00	SCREW, VALVE ADJUSTING TORNILLO DE AJUSTE DE VALVULA	8				
11	62Y-12158-00	NUT, LOCK ARANDELA DE SEGURIDAD	8				
12	64J-12238-00	PLATE, BOLT STOPPER PLACA PERNO DE TOPE	2				
13	64J-12279-00	PLATE PLACA	1				
14	62Y-12216-00	SPRING RESORTE	2				
15	62Y-12231-00	GUIDE, STOPPER 1 TOPE DE GUIA 1	2				
16	90109-08M63	BOLT PERNO	5				



62Y1010-2050

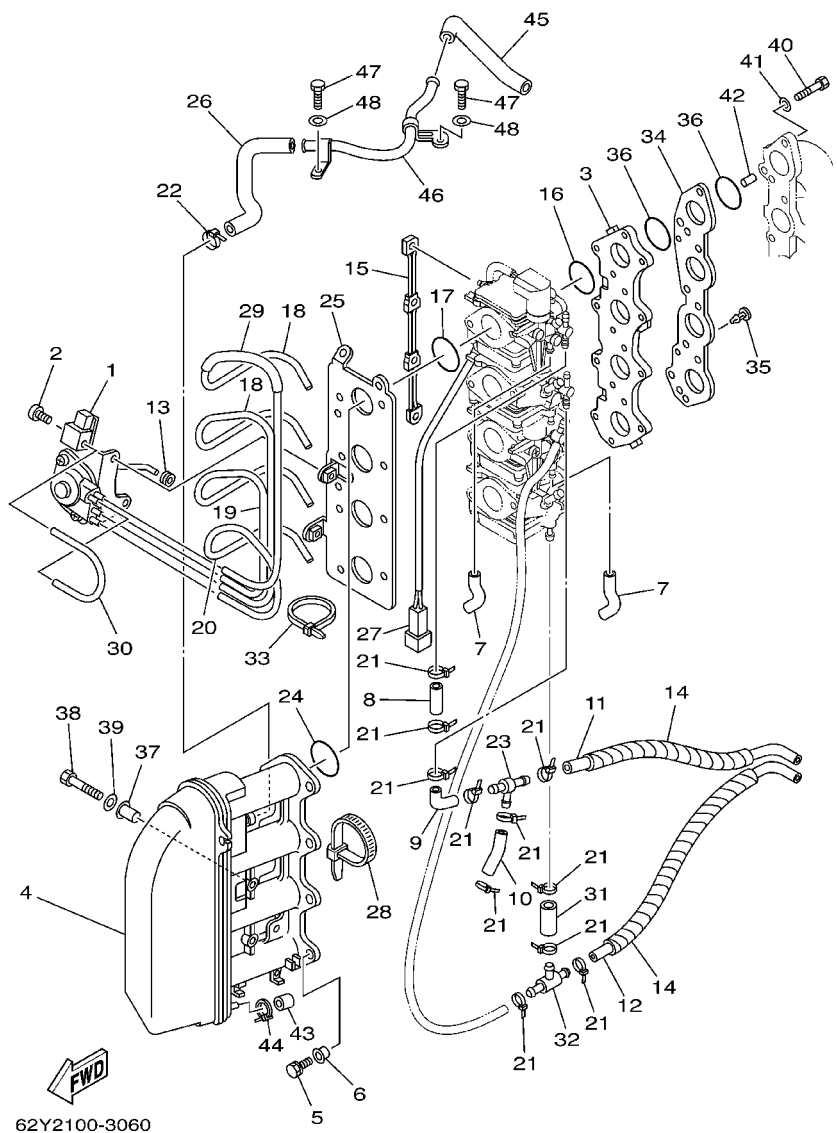


FIG. 6 INTAKE

ADMISION

REF. NO.	PART NO. CODIGO NO.	DESCRIPTION DESCRIPTION	F50D				REMARKS OBSERVACION
1	62Y-14369-30	DIAPHRAGM ASSY 2 DIAFRAGMA COMPLETO 2	1				
2	650-14327-01	SCREW TORNILLO	3				
3	62Y-13586-30	JOINT, CARBURETOR 1 TOBERA DE CARBURADOR 1	1				
4	62Y-14440-00	SILENCER ASSY, INTAKE SILENCIADOR COMPL. DE ADMISION	1				
5	97595-06590	BOLT, WITH WASHER PERNO CON ARANDELA RONDELLE	8				
6	90387-06M70	COLLAR COLLAR	8				
7	62Y-24312-00	PIPE 2 TUBO 2	2				
8	62Y-24313-30	PIPE 3 TUBO 3	1				
9	62Y-24313-40	PIPE 3 TUBO 3	1				
10	62Y-24313-50	PIPE 3 TUBO 3	1				
11	62Y-24313-61	PIPE 3 TUBO 3	1				
12	62Y-24313-70	PIPE 3 TUBO 3	1				
13	62Y-41262-30	JOINT, CHOKE LEVER CONECTOR DE AHOGADOR	1				
14	69W-24313-80	PIPE 3 TUBO 3	2				
15	64J-14585-00	ROD, CHOKE VARILLA DE CEBADOR	1				
16	93210-30MH4	O-RING JUNTA TORICA	4				
17	93210-35M86	O-RING JUNTA TORICA	4				
18	64J-14349-11	PIPE TUBO	2				
19	64J-14349-21	PIPE TUBO	1				
20	64J-14349-31	PIPE TUBO	1				
21	90465-11M10	CLAMP BRIDA	12				
22	90465-13M36	CLAMP BRIDA	1				
23	62Y-24378-00	PIPE, JOINT 4 TUBO DE UNION 4	1				
24	93210-38MH3	O-RING JUNTA TORICA	4				
25	62Y-14291-30	BRACKET 1 SOPORTE 1	1				
26	62Y-1532B-00	PIPE, BREATHER MANGUELA DE RESPIRADERO	1				
27	62Y-82509-00	WIRE, SUB LEAD CABLE SUBCONDUCTOR	1				

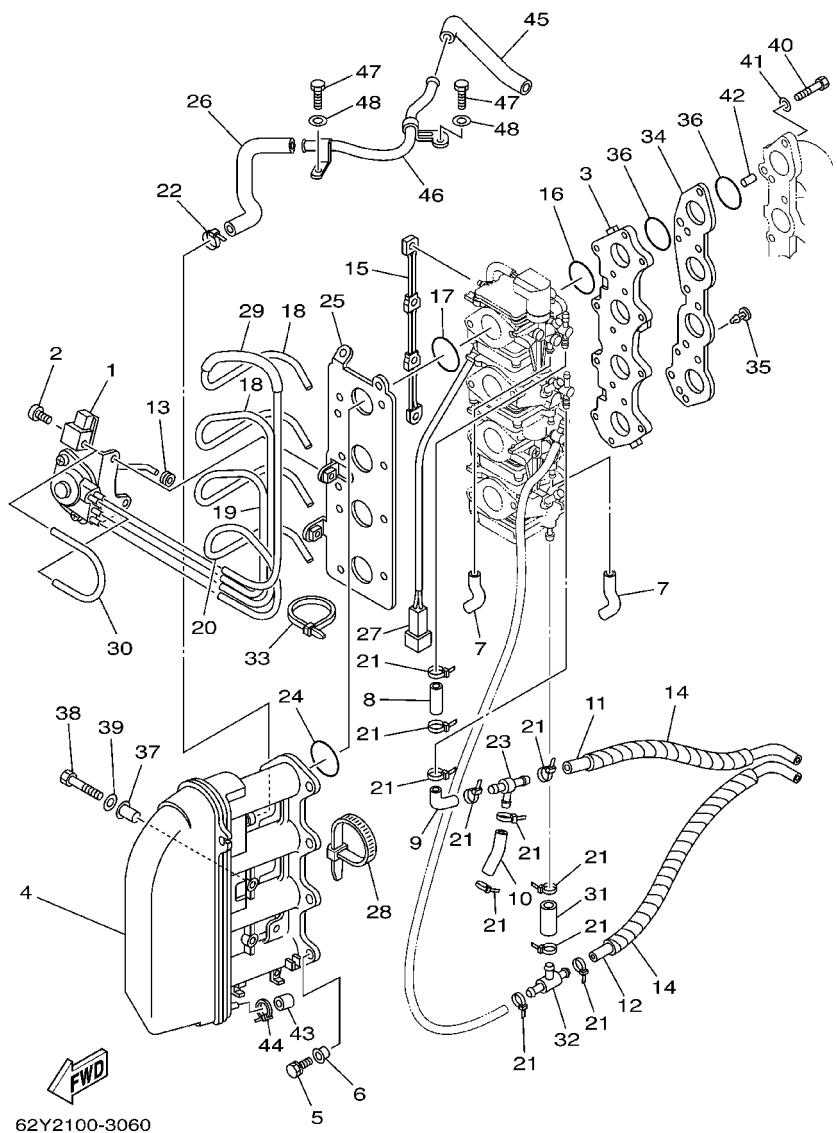


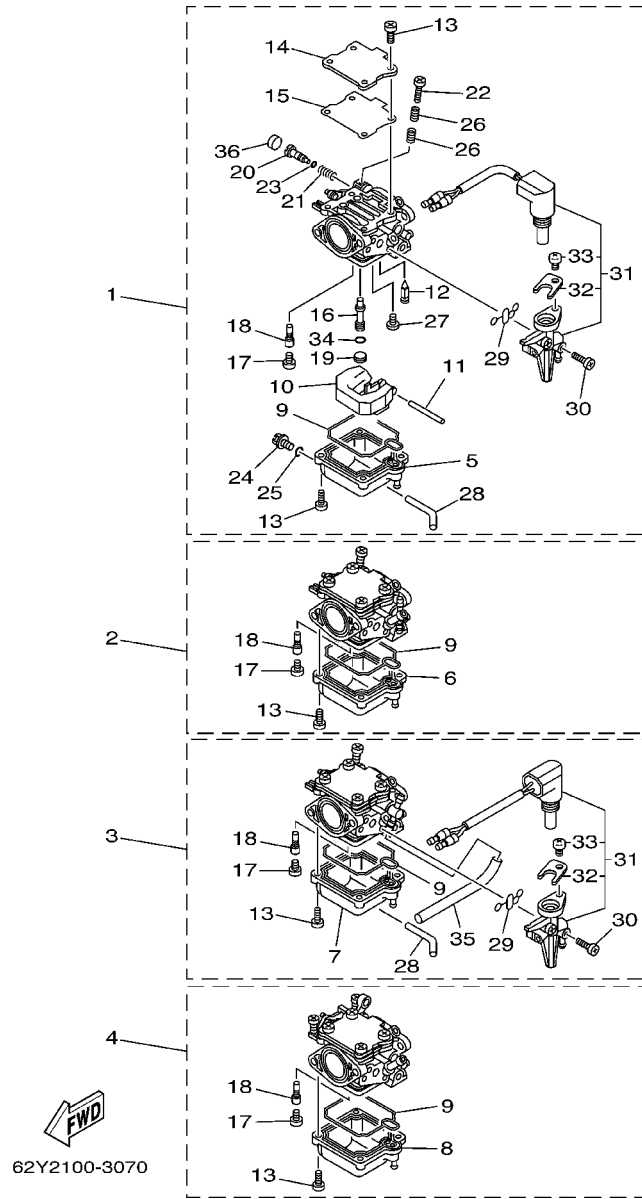
FIG. 6 INTAKE

ADMISION

REF. NO.	PART NO. CODIGO NO.	DESCRIPTION DESCRIPTION	F50D				REMARKS OBSERVACION
28	62Y-82544-00	CLAMP GRAMPA	1				
29	64J-14349-40	PIPE TUBO	1				
30	64J-14349-50	PIPE TUBO	1				
31	62Y-24314-00	PIPE 4 TUBO 4	1				
32	62Y-24378-00	PIPE, JOINT 4 TUBO DE UNION 4	1				
33	62Y-24135-00	CLAMP 1 GRAMPA 1	1				
34	62Y-14271-00	INSULATOR AISLANTE	1				
35	90338-04M17	PLUG TAPON	2				
36	93210-35M86	O-RING JUNTA TORICA	8				
37	90387-06M15	COLLAR COLLAR	2				
38	97095-06030	BOLT PERNO	2				
39	92995-06600	WASHER ARANDELA	2				
40	97095-06025	BOLT PERNO	8				
41	92995-06600	WASHER ARANDELA	8				
42	93608-16M16	PIN, DOWEL PASADOR DE CLAVIJA	2				
43	62Y-13448-00	CAP TAPA	1				
44	90465-11M10	CLAMP BRIDA	1				
45	62Y-1531A-00	HOSE, BREATHER 1 MANGUELA DE RESPIRADERO 1	1				
46	62Y-15373-10	PIPE, BREATHER MANGUELA DE RESPIRADERO	1				
47	97095-06016	BOLT PERNO	2				
48	92995-06600	WASHER ARANDELA	2				

FIG. 7 CARBURETOR

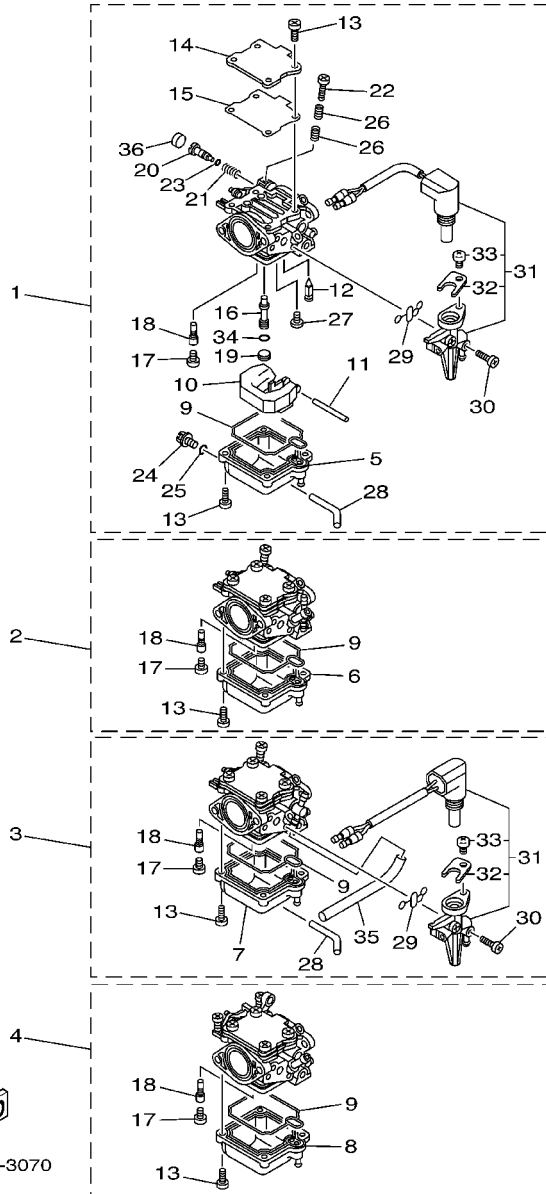
CARBURADOR



REF. NO.	PART NO. CODIGO NO.	DESCRIPTION DESCRIPTION	F50D				REMARKS OBSERVACION
1	62Y-14901-40	CARBURETOR ASSY 1 CARBURADOR COMPLETO 1	1				
2	62Y-14902-40	CARBURETOR ASSY 2 CARBURADOR COMPLETO 2	1				
3	62Y-14903-40	CARBURETOR ASSY 3 CARBURADOR COMPLETO 3	1				
4	62Y-14904-41	CARBURETOR ASSY 4 CARBURADOR COMPLETO 4	1				
5	62Y-14381-30	.BODY, FLOAT CHAMBER .CUERPO DE CAMARA DE BOIA	1				#1
6	62Y-14381-40	.BODY, FLOAT CHAMBER .CUERPO DE CAMARA DE BOIA	1				#2
7	62Y-14381-50	.BODY, FLOAT CHAMBER .CUERPO DE CAMARA DE BOIA	1				#3
8	62Y-14381-61	.BODY, FLOAT CHAMBER .CUERPO DE CAMARA DE BOIA	1				#4
9	62Y-14384-30	.GASKET, FLOAT CHAMBER .EMPAQUE DE CAMARA DE BOIA	4				
10	6L2-14385-00	.FLOAT .BOIA	4				
11	6E5-14386-01	.PIN, FLOAT .PASADOR DE BOIA	4				
12	62Y-14392-00	.VALVE, NEEDLE .VALVULA DE AGUJA	4				
13	62Y-14321-00	.SCREW, THROTTLE .TORNILLO DE OBTURADOR	32				
14	62Y-14157-30	.COVER, MIXING .CUBIERTA DE MEZCLA	4				
15	62Y-14399-30	.GASKET .EMPAQUE	4				
16	62Y-14341-30	.NOZZLE, MAIN .BOQUILLA PRINCIPAL	4				
17	62Y-14343-62	.JET, MAIN (#124) .INJECTOR PRINCIPAL (#124)	1				#1
	62Y-14343-63	.JET, MAIN (#126) .INJECTOR PRINCIPAL (#126)	1				#2
	62Y-14343-58	.JET, MAIN (#116) .INJECTOR PRINCIPAL (#116)	1				#3
	62Y-14343-57	.JET, MAIN (#114) .INJECTOR PRINCIPAL (#114)	1				#4
18	64J-14342-20	.JET, PILOT (#39) .ESPREA DE PILOTO (#39)	4				
19	62Y-14355-30	.PLUG .TAPON	4				
20	62Y-14323-30	.SCREW, AIR ADJUSTING .TORNILLO DE AJUSTE DE AIRE	4				
21	62Y-14334-00	.SPRING, AIR ADJUSTING .RESORTE DE AJUSTADOR DE AIRE	4				
22	62Y-14321-10	.SCREW, THROTTLE .TORNILLO DE OBTURADOR	4				
23	2T4-14397-00	.O-RING .ANILLO O	4				
24	62Y-14383-30	.SCREW, DRAIN .TORNILLO DE DRENAJE	4				

FIG. 7 CARBURETOR

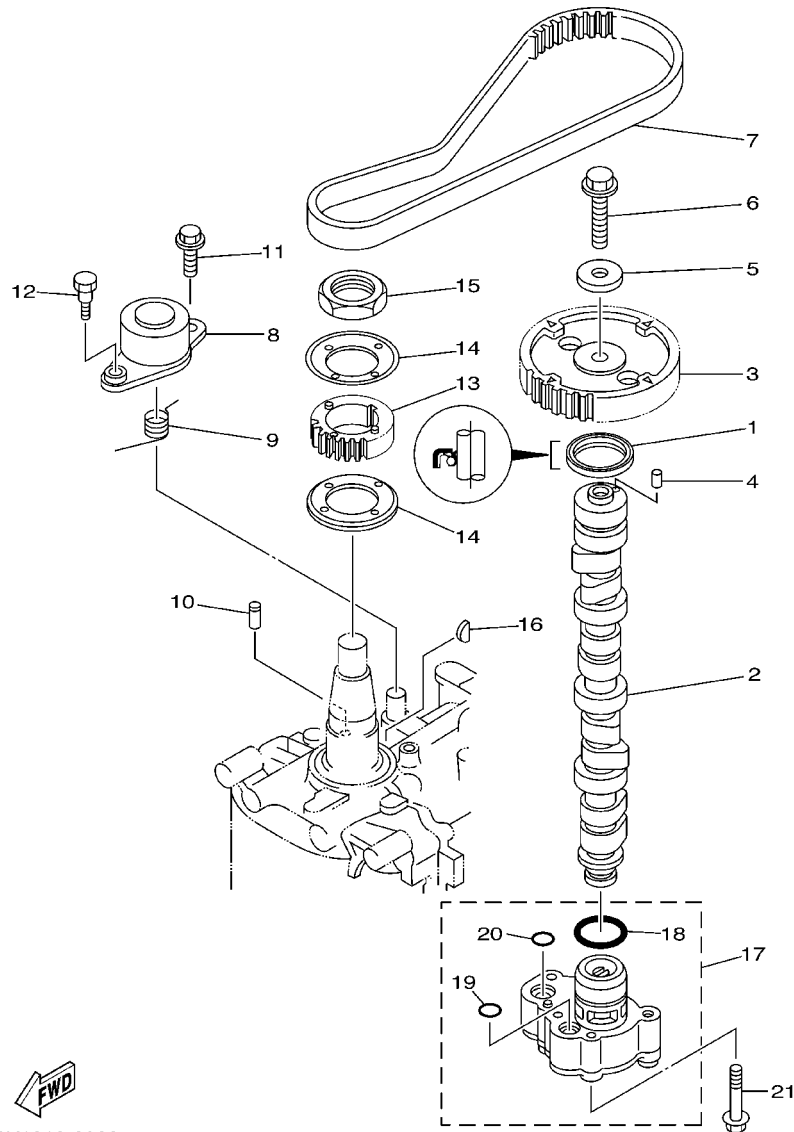
CARBURADOR



REF. NO.	PART NO. CODIGO NO.	DESCRIPTION DESCRIPTION	F50D				REMARKS OBSERVACION
25	652-14397-00	.O-RING .ANILLO O	4				
26	62Y-14212-00	.SPRING, PILOT ADJUSTING .RESORTE DE AJUSTE DE PILOTO	8				
27	98980-04006	.SCREW, BIND .TORNILLO DE AJUSTE	4				
28	62Y-24311-30	.PIPE, FUEL 1 .TUBO DE COMBUSTIBLE 1	2				#1,3
29	62Y-14398-30	.GASKET .EMPAQUE	2				#1,3
30	62Y-14567-30	.SCREW .TORNILLO	2				#1
	62Y-14567-40	.SCREW .TORNILLO	2				#3
31	62Y-14380-10	.PRIME STARTER ASSY .JUEGO DE VALVULA DE ARRANQUE	1				#1
	62Y-14380-20	.PRIME STARTER ASSY .JUEGO DE VALVULA DE ARRANQUE	1				#3
32	62Y-14243-00	.PLATE .PLACA	1				
33	97890-04007	.SCREW, PAN HEAD .TORNILLO	1				
34	62Y-14227-00	.WASHER .EMPAQUE	4				
35	62Y-24313-90	.PIPE 3 .TUBO 3	1				#3
36	62Y-1432A-01	.PLUG .TAPON	4				

FIG. 8 OIL PUMP

BOMBA DE ACEITE



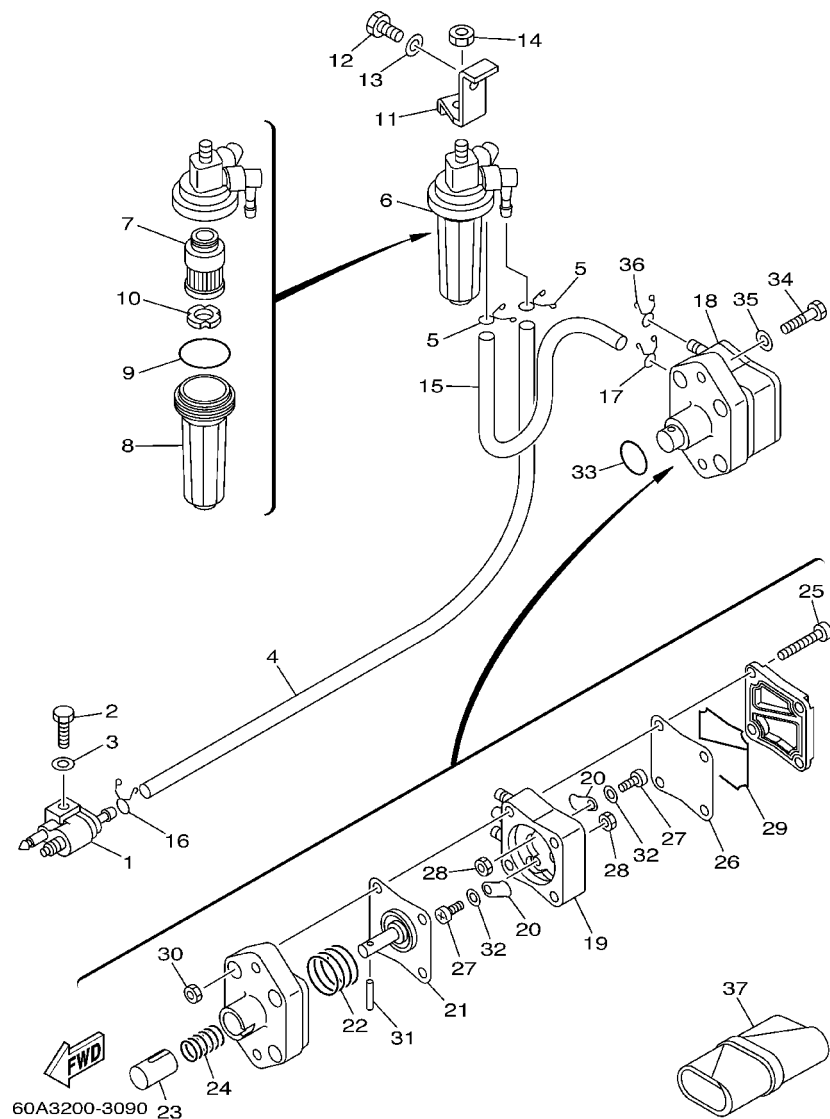
REF. NO.	PART NO. CODIGO NO.	DESCRIPTION DESCRIPTION	F50D				REMARKS OBSERVACION
1	93102-37M40	OIL SEAL RETEN DE ACEITE	1				
2	62Y-12171-00	CAMSHAFT 1 ARBOL DE LEVAS 1	1				
3	62Y-11537-10	GEAR, DRIVEN ENGRANAJE TRACCION	1				
4	93605-14143	PIN, DOWEL PASADOR DE CLAVIJA	1				
5	90201-10M06	WASHER, PLATE ARANDELA PLANA	1				
6	95895-10040	BOLT, FLANGE TORNILLO DE REBORDE	1				
7	62Y-46241-00	BELT CORREA	1				
8	62Y-11590-10	TENSIONER ASSY TENSOR COMPLET	1				
9	90508-20018	SPRING, TORSION RESORTE DE TORSION	1				
10	90249-07M29	PIN PASADOR	1				
11	95895-08020	BOLT, FLANGE TORNILLO DE REBORDE	1				
12	90109-06M64	BOLT PERNO	1				
13	62Y-11536-10	GEAR, DRIVE ENGRANAJE TRACCION	1				
14	62Y-11557-00	WASHER 1 ARANDELA 1	2				
15	90170-35M32	NUT TUERCA	1				
16	90280-04M06	KEY, WOODRUFF CUNA WOODRUFF	1				
17	69W-13300-00	OIL PUMP ASSY BOMBA DE ACEITE COMPLETA	1				
18	93210-33MH2	.O-RING .JUNTA TORICA	1				
19	93210-12MG9	.O-RING .JUNTA TORICA	1				
20	93210-14515	.O-RING .JUNTA TORICA	1				
21	90119-06025	BOLT, WITH WASHER TORNILLO CON ARANDELA	4				



62Y1010-2080

FIG. 9 FUEL

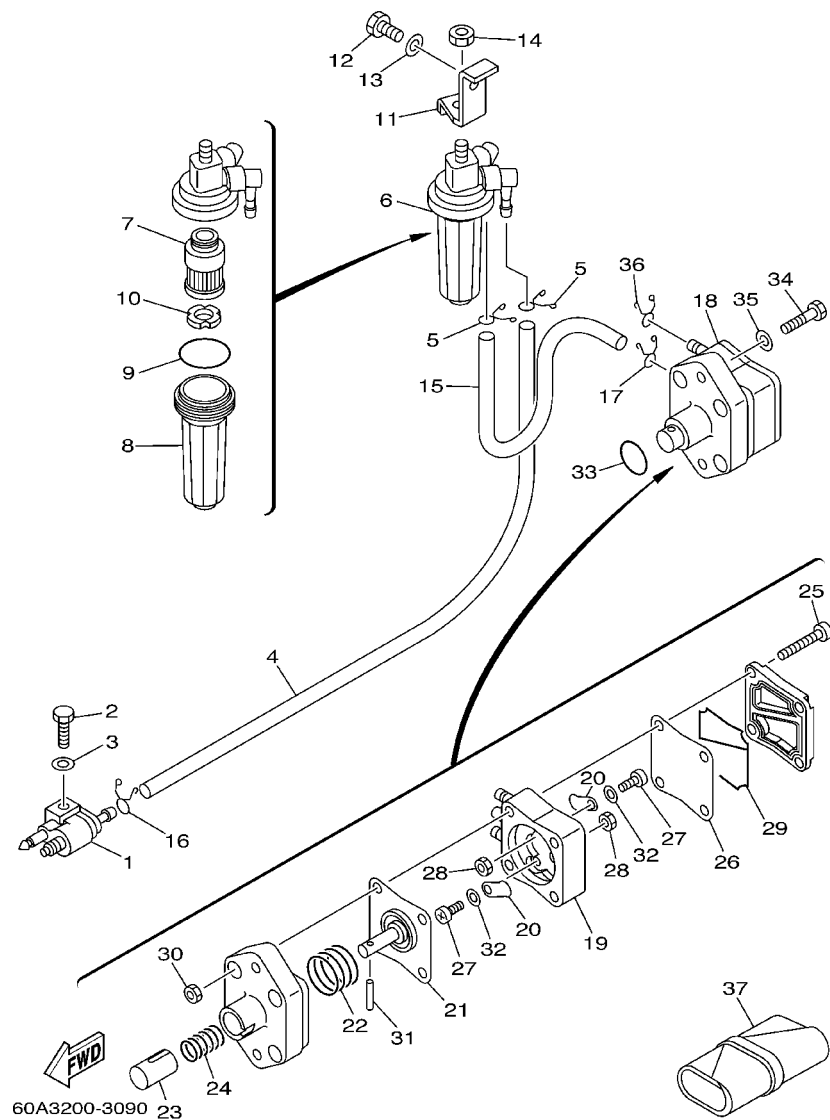
COMBUSTIBLE



REF. NO.	PART NO. CODIGO NO.	DESCRIPTION DESCRIPTION	F50D				REMARKS OBSERVACION
1	6G1-24304-02	FUEL PIPE JOINT COMP. 1 CONECTOR MANGUERA COMBUST.1	1				
2	97095-06025	BOLT PERNO	1				
3	92995-06600	WASHER ARANDELA	1				
4	90445-10020	HOSE TUBO	1				
5	90467-09M17	CLIP PRESILLA	2				
6	64J-24560-00	FILTER ASSY FILTRO COMPLETO	1				
7	68V-24563-00	.ELEMENT, FILTER .ELEMENTO DEL FILTRO	1				
8	68V-24521-00	.CUP, FILTER .COPA DE FILTRO	1				
9	93210-32738	.O-RING .JUNTA TORICA	1				
10	68V-24469-00	.FLOAT, WATER LEVEL .BOIA	1				
11	62Y-24566-00	BRACKET, FILTER SOPORTE DEL FILTRO	1				
12	97095-08014	BOLT PERNO	1				
13	92995-08600	WASHER ARANDELA	1				
14	95380-08600	NUT TUERCA	1				
15	90445-10M48	HOSE (L205) TUBO (L205)	1				
16	90467-09M17	CLIP PRESILLA	1				
17	90467-10M04	CLIP PRESILLA	1				
18	62Y-24410-03	FUEL PUMP ASSY BOMBA DE COMBUSTIBLE COMPLETA	1				
19	62Y-24413-01	.BODY 2 .CUERPO 2	1				
20	62Y-24421-01	.VALVE, CHECK .VALVULA DE RETENCION	2				
21	62Y-24411-02	.DIAPHRAGM .DIAFRAGMA	1				
22	62Y-24423-00	.SPRING, DIAPHRAGM .RESORTE DE DIAFRAGMA	1				
23	62Y-13131-01	.PLUNGER .ESPACIADOR	1				
24	62Y-24454-00	.SPRING .RESORTE	1				
25	62Y-24444-01	.SCREW .TORNILLO	4				
26	62Y-24471-00	.DIAPHRAGM .DIAFRAGMA	1				
27	6A0-14325-00	.SCREW, PAN HEAD .TORNILLO CABEZA REDONDA	2				

FIG. 9 FUEL

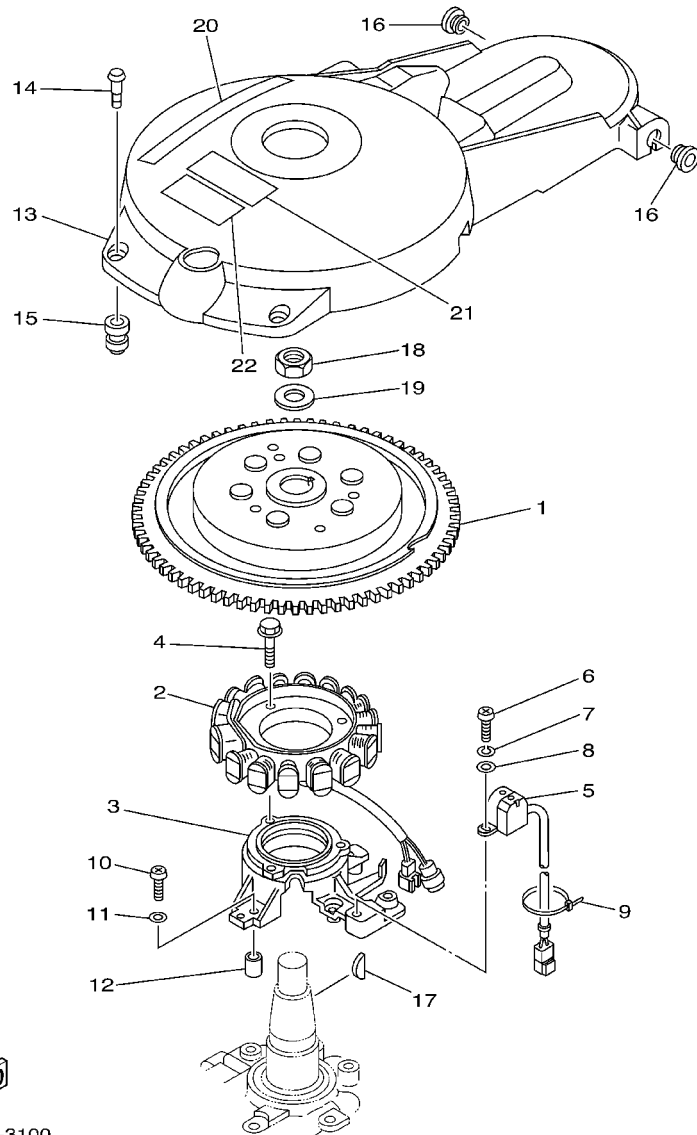
COMBUSTIBLE



REF. NO.	PART NO. CODIGO NO.	DESCRIPTION DESCRIPTION	F50D			REMARKS OBSERVACION
28	95380-03600	.NUT .TUERCA	2			
29	62Y-24452-00	.PACKING .EMPAQUE	1			
30	95380-05600	.NUT .TUERCA	4			
31	62Y-24374-01	.PIN .PIN	1			
32	62Y-24422-00	.PLATE .PLACA	2			
33	93210-24M79	O-RING JUNTA TORICA	1			
34	97095-06030	BOLT PERNO	2			
35	92995-06600	WASHER ARANDELA	2			
36	90467-10M04	CLIP PRESILLA	2			
37	62Y-28100-00	TOOL KIT JUEGO DE HERRAMIENTAS	1			

FIG. 10 GENERATOR

GENERADOR

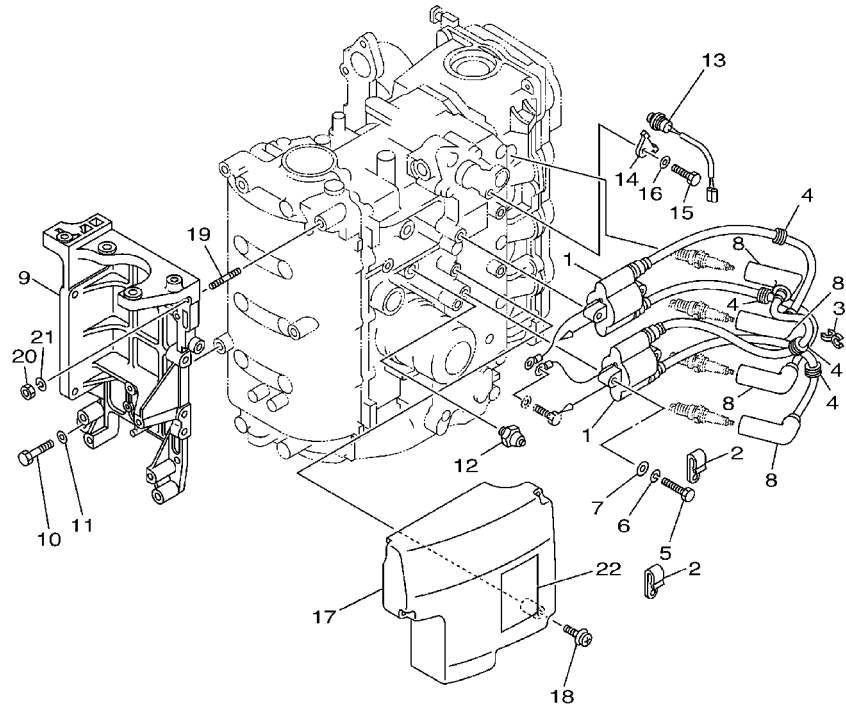


REF. NO.	PART NO. CODIGO NO.	DESCRIPTION DESCRIPTION	F50D				REMARKS OBSERVACION
1	69W-85550-10	ROTOR ASSY ROTOR COMPLETO	1				
2	64J-85510-00	STATOR ASSY ESTATOR COMPLET	1				
3	62Y-85561-00-94	BASE, MAGNETO BASE DE MAGNETO	1				
4	95023-06025	BOLT TORNILLO	3				
5	62Y-85580-00	COIL, PULSER BOBINA DE PULSACION	1				
6	97880-05012	SCREW, PAN HEAD TORNILLO DE CABEZA CON PLANA	2				
7	92990-05100	WASHER, SPRING ARANDELA GROWER	2				
8	92990-05600	WASHER, PLATE ARANDELA PLANA	2				
9	90465-13M97	CLAMP BRIDA	1				
10	97880-06025	SCREW, PAN HEAD TORNILLO DE CABEZA CON PLANA	4				
11	92990-06600	WASHER, PLATE ARANDELA PLANA	4				
12	99530-08012	PIN, DOWEL PASADOR, DE CLAVIJA	2				
13	62Y-81337-11	COVER, FLYWHEEL CUBIERTA DE VOLANTE	1				
14	6K7-81338-01	CLAMP, LEAD GRAMPA DE CONDUCTOR	2				
15	663-82317-01	DAMPER, IGNITION COIL AMORTIGUADOR BOBINA ENCENDIDO	2				
16	90480-12072	GROMMET TAPON	2				
17	6H4-11545-00	KEY, WOODRUFF CHAVETA WOODRUFF	1				
18	90170-20137	NUT TUERCA	1				
19	90201-21M18	WASHER, PLATE ARANDELA PLANA	1				
20	62Y-13437-61	MARK, CAUTION MARKER	1				
21	6A1-83625-41	MARK 5 MARCA 5	1				
22	6A1-83625-51	MARK 5 MARCA 5	1				

FWD
62Y2300-3100

FIG. 11 ELECTRICAL 1

EQUIPO ELECTRICO 1



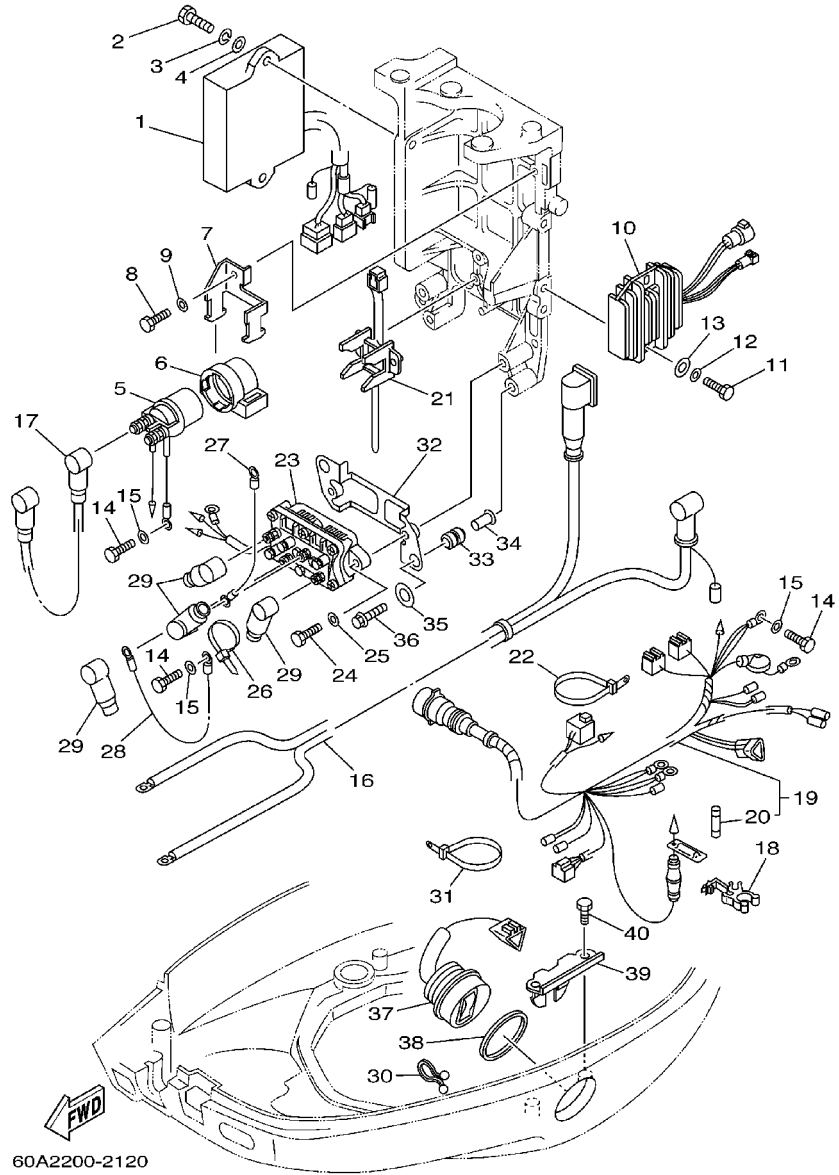
REF. NO.	PART NO. CODIGO NO.	DESCRIPTION DESCRIPTION	F50D				REMARKS OBSERVACION
1	62Y-85570-00	IGNITION COIL ASSY BOBINA DE IGNICION COMPLETO	2				
2	90465-06M90	CLAMP BRIDA	2				
3	90464-07M41	CLAMP BRIDA	1				
4	90480-25161	GROMMET TAPON	4				
5	97095-06030	BOLT PERNO	4				
6	92995-06100	WASHER, SPRING ARANDELA	4				
7	92995-06600	WASHER ARANDELA	4				
8	6G8-82370-30	PLUG CAP ASSY TAPON DE BUJIA COMPLT	4				
9	62Y-81822-01-94	BRACKET, STARTING MOTOR SOPORTE DE MOTOR DE ARRANQUE	1				
10	97095-08035	BOLT PERNO	3				
11	92995-08600	WASHER ARANDELA	3				
12	64J-82504-00	OIL PRESSURE SWITCH ASSY INTERRUPTOR PRESION DE ACEITE	1				
13	62Y-82560-01	THERMO SWITCH ASSY INTER. DE TERMO	1				
14	6E9-82588-00	PLATE PLACA	1				
15	97095-06012	BOLT PERNO	1				
16	92995-06600	WASHER ARANDELA	1				
17	62Y-85599-00	COVER CUBIERTA	1				
18	90159-06M08	SCREW, WITH WASHER TORNILLO CON VALONA	3				
19	90116-08M14	BOLT, STUD ESPARRAGO	1				
20	95380-08600	NUT TUERCA	1				
21	92990-08100	WASHER, SPRING ARANDELA GROWER	1				
22	62Y-83626-00	MARK 6 MARCA 6	1				



62Y1010-2110

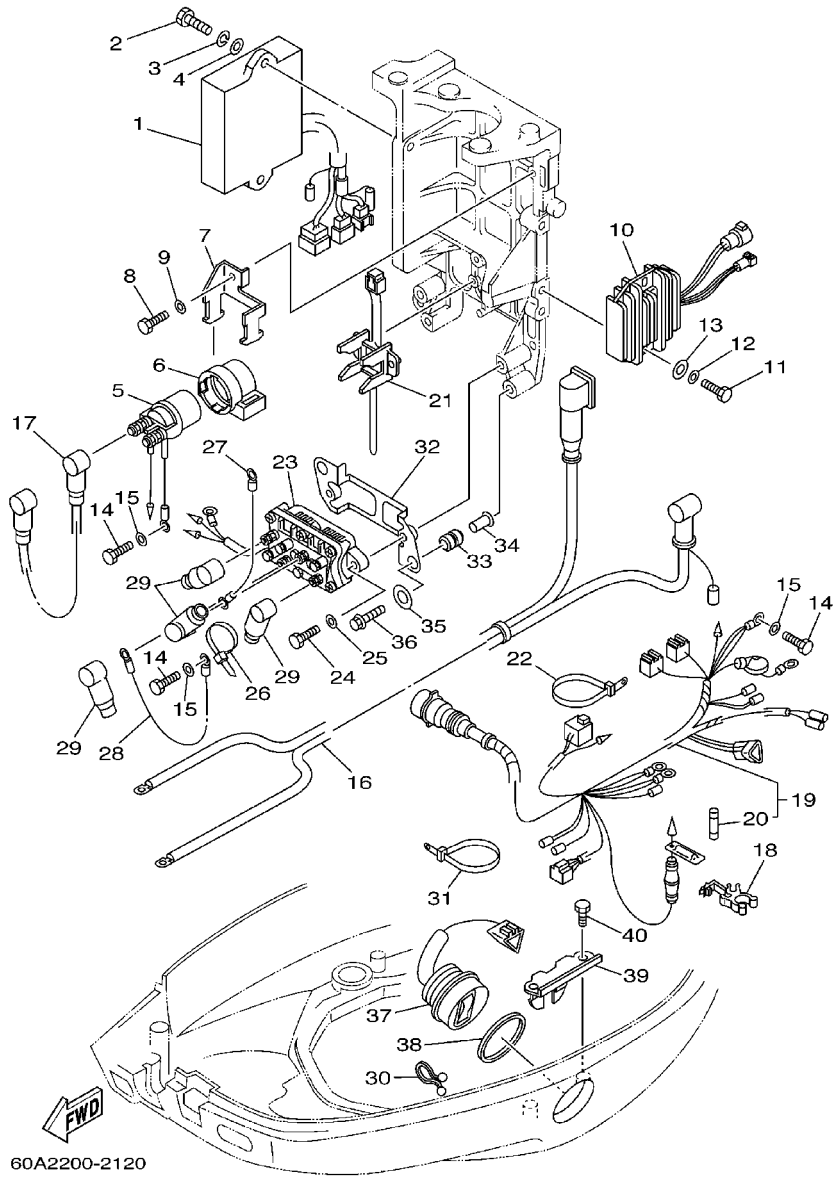
FIG. 12 ELECTRICAL 2

EQUIPO ELECTRICO 2



60A2200-2120

REF. NO.	PART NO. CODIGO NO.	DESCRIPTION DESCRIPTION	F50D				REMARKS OBSERVACION
1	64J-85540-11	C.D.I. UNIT ASSY UNIDAD C.D.I. COMPLETA	1				
2	97095-06020	BOLT PERNO	2				
3	92995-06100	WASHER, SPRING ARANDELA	2				
4	92995-06600	WASHER ARANDELA	2				
5	6G1-81941-10	STARTER RELAY ASSY RELE DE ARRANQUE	1				
6	6G1-81952-00	HOLDER, RELAY SOSTEN DE RELE	1				
7	6L2-81945-00	PLATE, SWITCH FITTING PLACA ACCESORIA DE INTERRUP.	1				
8	97095-06014	BOLT PERNO	1				
9	92995-06600	WASHER ARANDELA	1				
10	64J-81960-10	RECTIFIER & REGULATOR ASSY RECTIFICADOR Y REGULADOR	1				
11	97095-06040	BOLT PERNO	2				
12	92995-06600	WASHER ARANDELA	2				
13	90201-06M05	WASHER, PLATE ARANDELA PLANA	2				
14	97095-06012	BOLT PERNO	4				
15	92995-06600	WASHER ARANDELA	4				
16	62Y-82105-00	WIRE HARNESS ARNES DE CABLES	1				
17	6E5-82117-01	WIRE, LEAD CABLE CONDUCTOR	1				
18	6G5-82152-00	HOLDER, FUSE PORTA-FUSIBLES	1				
19	64J-82590-30	WIRE HARNESS ASSY CONJUNTO DE CABLES	1				
20	663-82151-00	.FUSE (12V-20A) .FUSIBLE (12V-20A)	1				
21	688-82594-00	CLAMP GRAMPA	1				
22	90465-13M24	CLAMP BRIDA	1				
23	6H1-81950-00	RELAY ASSY RELE COMPLETO	1				
24	97095-06020	BOLT PERNO	2				
25	92995-06600	WASHER ARANDELA	2				
26	90465-13M11	CLAMP BRIDA	1				
27	6H2-81949-01	WIRE, LEAD CABLE CONDUCTOR	1				



60A2200-2120

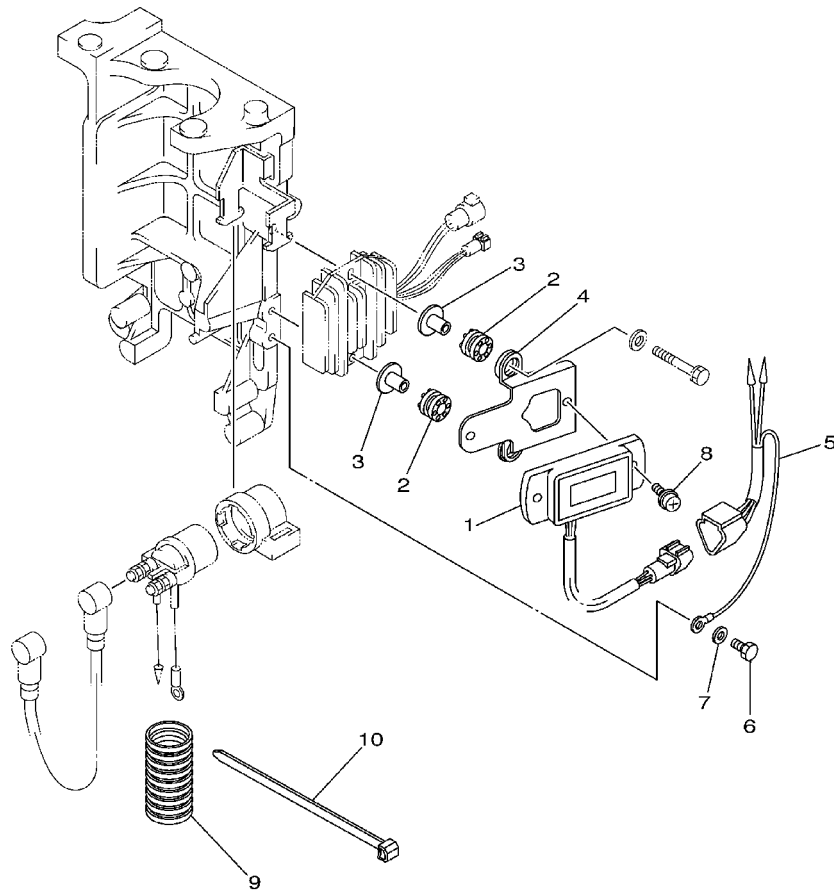
FIG. 12 ELECTRICAL 2

EQUIPO ELECTRICO 2

REF. NO.	PART NO. CODIGO NO.	DESCRIPTION DESCRIPTION	F50D				REMARKS OBSERVACION
28	61A-81949-00	WIRE, LEAD CABLE CONDUCTOR	1				
29	682-82119-01	COVER, LEAD WIRE CUBIERTA DE CABLE CONDUCTOR	4				
30	90464-15M11	CLAMP BRIDA	1				
31	90465-13M24	CLAMP BRIDA	1				
32	62Y-81948-00	BRACKET SOPORTE	1				
33	6A0-82317-00	DAMPER, IGNITION COIL AMORTIGUADOR BOBINA ENCENDIDO	2				
34	624-42542-00	PIPE TUBO	2				
35	90201-12M16	WASHER, PLATE ARANDELA PLANA	2				
36	95895-06025	BOLT, FLANGE TORNILLO DE REBORDE	2				
37	63D-82563-10	TRIM & TILT SWITCH ASSY INTERRUPTOR DE INCLINACION	1				
38	6E5-82587-00	GASKET EMPAQUETADURA	1				
39	62Y-83614-00	BRACKET SOPORTE	1				
40	97095-06012	BOLT PERNO	2				

FIG. 13 ELECTRICAL 3

EQUIPO ELECTRICO 3



REF. NO.	PART NO. CODIGO NO.	DESCRIPTION DESCRIPTION	F50D				REMARKS OBSERVACION
1	6Y5-83504-20	HOUR METER ASSY MEDIDOR DE HORAS COMPLETO	1				
2	64J-85516-00	SPACER ESPACIADOR	2				
3	69M-42758-00	COLLAR COLLAR	2				
4	64J-83519-00	BRACKET, METER SOPORTE DE MEDIDOR	1				
5	64J-82553-00	EXTENSION, WIRE LEAD CABLE	1				
6	97095-06012	BOLT PERNO	1				
7	92995-06600	WASHER ARANDELA	1				
8	90159-05M13	SCREW, WITH WASHER TORNILLO CON VALONA	2				
9	6K3-83557-00	TUBE ENCHUFE DE ACEITE	1				
10	90465-13M24	CLAMP BRIDA	1				

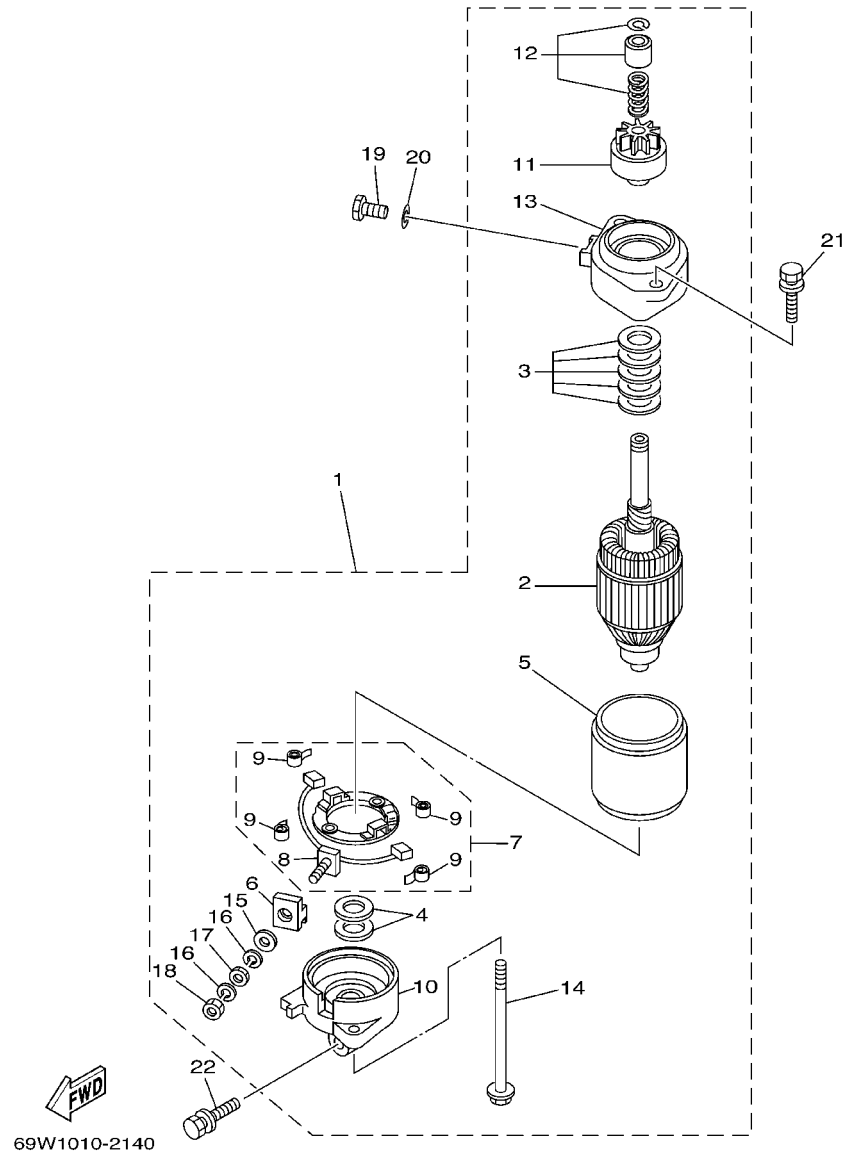


60A2200-2130

D1

FIG. 14 STARTING MOTOR

MOTOR DE ARRANQUE



REF. NO.	PART NO. CODIGO NO.	DESCRIPTION DESCRIPTION	F50D				REMARKS OBSERVACION
1	69W-81800-00	STARTING MOTOR ASSY MOTOR DE ARRANQUE COMPLETO	1				
2	6N7-81850-10	.ARMATURE ASSY .INDUCIDO COMPLETO	1				
3	61A-81809-00	.WASHER KIT .JUEGO DE ARANDELA	1				
4	61A-81824-00	.WASHER 2 .ARANDELA 2	2				
5	6N7-81810-00	.STATOR ASSY .ESTATOR COMPLETO	1				
6	6K7-8182G-10	.BUSH, TERMINAL .BUJE DE TERMINAL	1				
7	6N7-81840-00	.BRUSH HOLDER ASSY .SOSTEN DE ESCOBILLA COMPLETO	1				
8	6N7-81801-00	..BRUSH SET ..JUEGO DE ESCOBILLA	1				
9	6N7-81813-00	..SPRING, BRUSH ..RESORTE DE ESCOBILLA	4				
10	6N7-81820-00	.REAR BRACKET ASSY .CUBIERTA TRASERA COMPL	1				
11	69W-81807-00	.GEAR ASSY, STARTING MOTOR .PINON CONJUNTO	1				
12	6N7-81857-00	.RETAINER .SEGURO	1				
13	6N7-81830-00	.FRONT BRACKET ASSY .SOPORTE DELANTERO COMPLETO	1				
14	6K7-81826-10	.BOLT .PERNO	2				
15	6E5-8182E-10	.WASHER .RONDANA	1				
16	6E5-8182F-10	.WASHER .RONDANA	2				
17	6E5-8182A-10	.NUT .TUERCA	1				
18	6E5-8182K-10	.NUT .TUERCA	1				
19	97095-08016	BOLT PERNO	1				
20	92995-08600	WASHER ARANDELA	1				
21	90119-08M76	BOLT, WITH WASHER TORNILLO CON ARANDELA	2				
22	90119-08M77	BOLT, WITH WASHER TORNILLO CON ARANDELA	1				

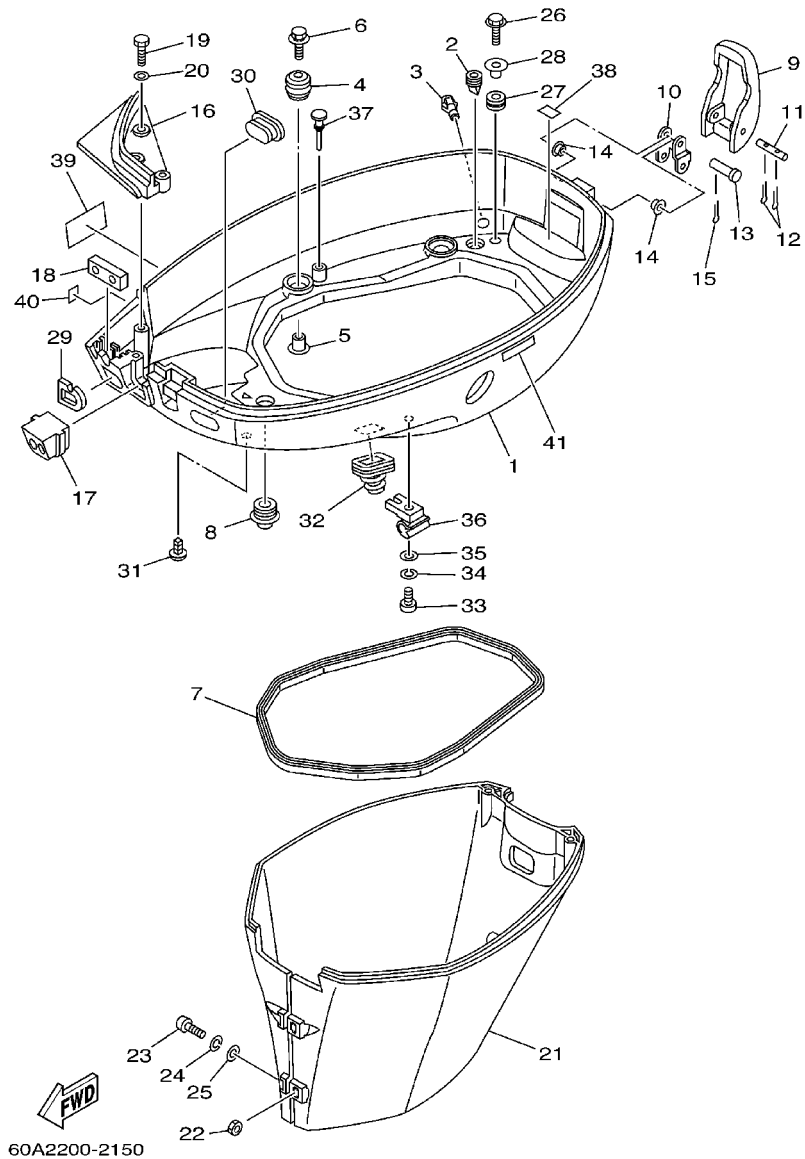


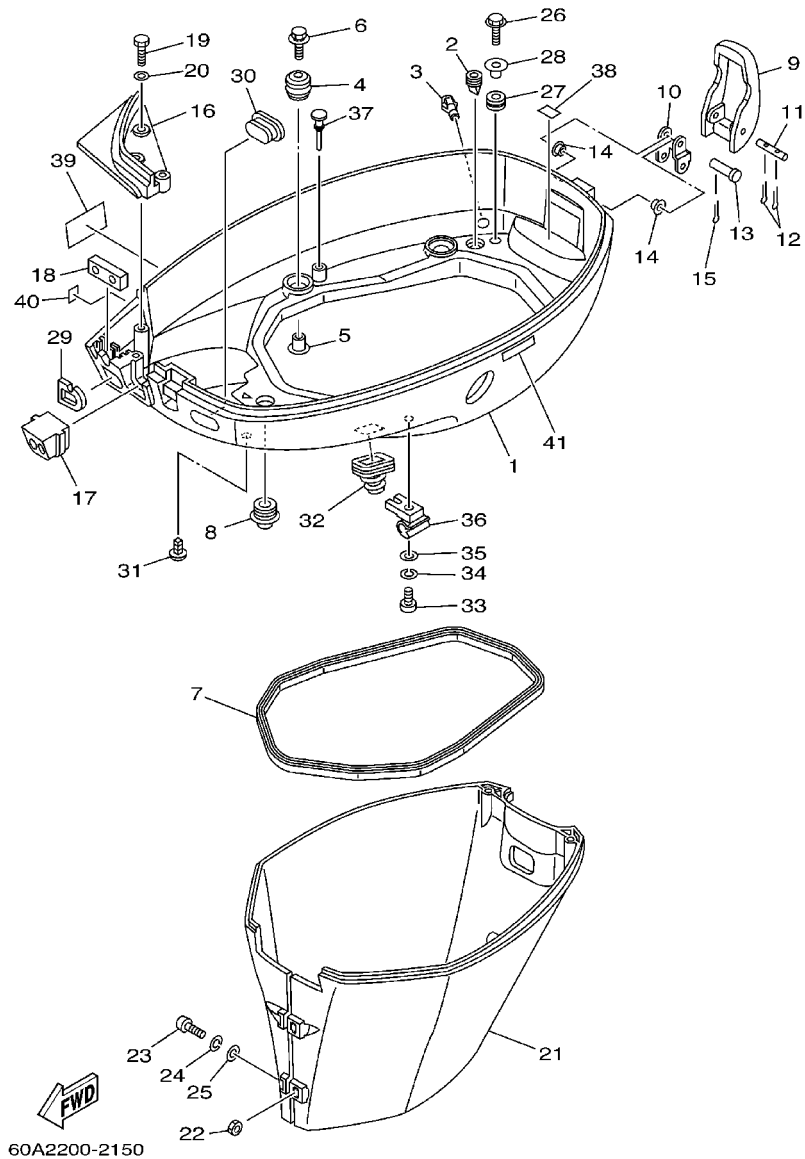
FIG. 15 BOTTOM COWLING

CUBIERTA INFERIOR

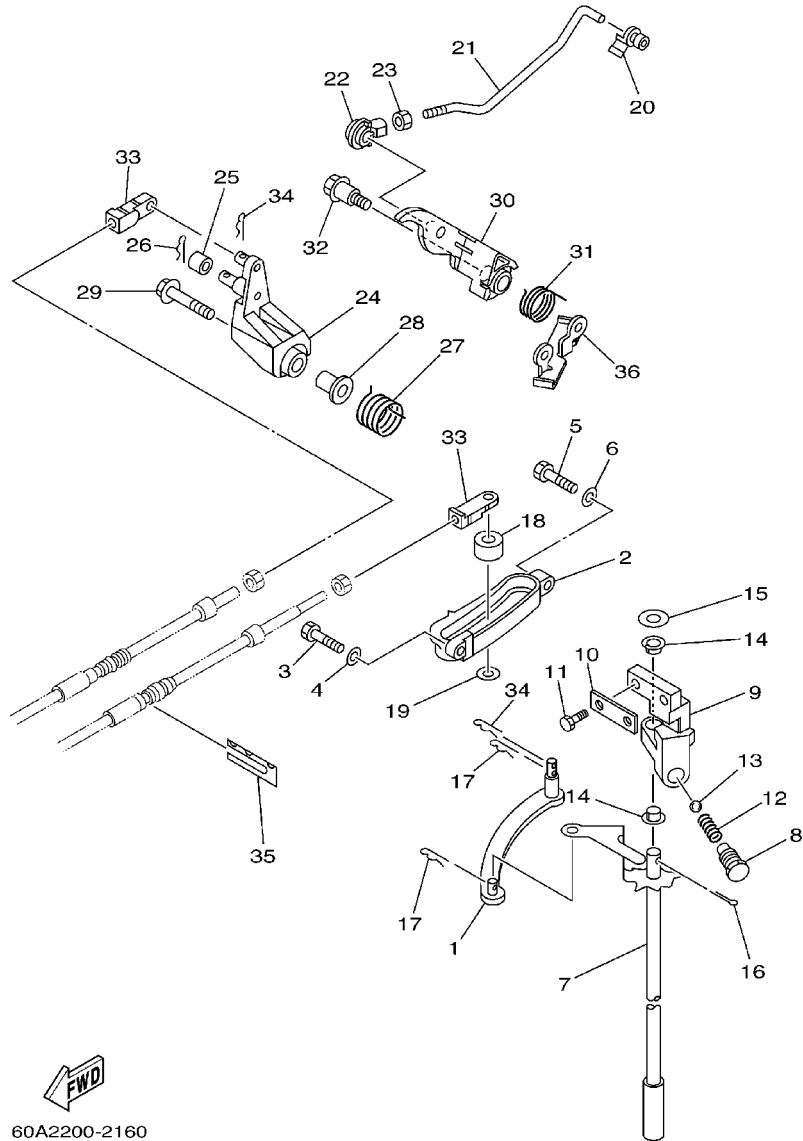
REF. NO.	PART NO. CODIGO NO.	DESCRIPTION DESCRIPTION	F50D				REMARKS OBSERVACION
1	62Y-42711-14-4D	COWLING, BOTTOM CUBIERTA INFERIOR	1				
2	65W-42717-00	RUBBER, SEAL 2 GOMA	4				
3	6H3-44391-01	NIPPLE, HOSE NIPLE MANGUERA	1				
4	90480-09M12	GROMMET TAPON	4				
5	90387-06060	COLLAR COLLAR	4				
6	90119-06M08	BOLT, WITH WASHER TORNILLO CON ARANDELA	4				
7	62Y-42716-00	RUBBER, SEAL 1 SELLO DE GOMA 1	1				
8	6E5-42724-00	GROMMET TAPON	1				
9	62Y-42828-00-4D	PLATE, CLAMP PLACA, GRAMPA	1				
10	62Y-42815-00	LEVER, CLAMP PALANCA ABRAZADERA	1				
11	90249-05M30	PIN PASADOR	1				
12	91490-16010	PIN, COTTER CHAVETA	2				
13	90240-05M19	PIN, CLEVIS PASADOR CON HOYO	1				
14	90386-05002	BUSH BUJE	2				
15	91490-16010	PIN, COTTER CHAVETA	1				
16	62Y-42738-01-5B	PLATE, FITTING PLACA DE AJUSTE	1				
17	62Y-42725-00	GROMMET TAPON	1				
18	62Y-42727-00	GROMMET TAPON	1				
19	97095-06020	BOLT PERNO	3				
20	92995-06600	WASHER ARANDELA	3				
21	62Y-42741-00-4D	APRON MANDIL	1				
22	95380-06600	NUT, HEXAGON TUERCA	2				
23	97880-06025	SCREW, PAN HEAD TORNILLO DE CABEZA CON PLANA	2				
24	92990-06100	WASHER, SPRING ARANDELA GROWER	2				
25	92990-06600	WASHER, PLATE ARANDELA PLANA	2				
26	90109-06M80	BOLT PERNO	2				
27	90480-13M24	GROMMET TAPON	2				

FIG. 15 BOTTOM COWLING

CUBIERTA INFERIOR



REF. NO.	PART NO. CODIGO NO.	DESCRIPTION DESCRIPTION	F50D				REMARKS OBSERVACION
28	90387-06M43	COLLAR COLLAR	2				
29	61N-24329-00	SEAL SELLO	1				
30	6H3-42727-00	GROMMET TAPON	1				
31	90338-05M03	PLUG TAPON	1				
32	688-42726-10	GROMMET TAPON	1				
33	97880-06025	SCREW, PAN HEAD TORNILLO DE CABEZA CON PLANA	1				
34	92990-06100	WASHER, SPRING ARANDELA GROWER	1				
35	92990-06600	WASHER, PLATE ARANDELA PLANA	1				
36	90464-09M43	CLAMP BRIDA	1				
37	62Y-42748-00	GROMMET TAPON	1				
38	62Y-82377-00	LABEL ETIQUETA	1				
39	62Y-13444-50	MARK MARKER	1				
40	6A1-28176-00	LABEL, CAUTION ETIQUETA DE PRECAUCION	1				
41	6E3-8257H-00	PLATE, MARK PLACA DE MARCA	1				



60A2200-2160

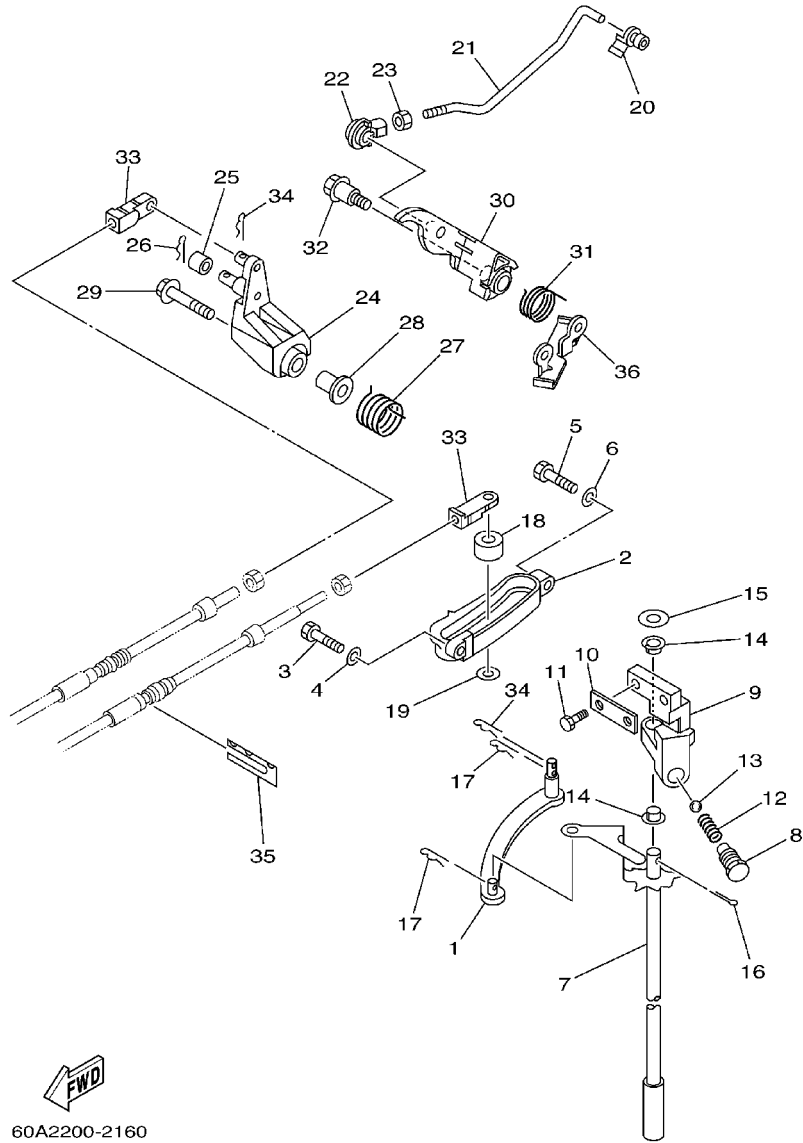
FIG. 16 CONTROL

CONTROL

REF. NO.	PART NO. CODIGO NO.	DESCRIPTION DESCRIPTION	F50D				REMARKS OBSERVACION
1	69W-44121-00	LEVER, SHIFT ROD PALANCA VARILLA CAMBIOS	1				
2	62Y-44117-01-4D	BRACKET SOPORTE	1				
3	97095-06020	BOLT PERNO	1				
4	92995-06600	WASHER ARANDELA	1				
5	97095-06025	BOLT PERNO	1				
6	92995-06600	WASHER ARANDELA	1				
7	62Y-44120-01	HANDLE GEAR SHIFT ASSY MANIJA DE CAMBIO COMPL	1				
8	62Y-42715-01	BUSHING BUJE	1				
9	62Y-44118-00	BRACKET SOPORTE	1				
10	62Y-44112-00	STAY, HANDLE GEAR SHIFT SOPORTE MANIJA DE CABIO DE MAR	1				
11	97095-06020	BOLT PERNO	2				
12	90501-12082	SPRING, COMPRESSION RESORTE DE COMPRESION	1				
13	93501-04M02	BALL ESFERA	1				
14	90386-90M90	BUSH BUJE	2				
15	90201-10M20	WASHER, PLATE ARANDELA PLANA	1				
16	91490-20015	PIN, COTTER CHAVETA	1				
17	90468-18008	CLIP PRESILLA	2				
18	688-44122-00	BUSHING, SHIFT ROD LEVER BUJE PALANCA VARILLA DE CAMBIO	1				
19	90202-07M07	WASHER, PLATE ARANDELA DE PLANA	1				
20	6F5-41237-00	JOINT, LINK CONECTOR	1				
21	62Y-41241-00	ROD, LINK VARILLA	1				
22	662-41237-01	JOINT, LINK CONECTOR	1				
23	95380-05700	NUT TUERCA	1				
24	62Y-42154-00	LEVER, THROTTLE CONTROL PALANCA CONTROL ACELERADOR	1				
25	62Y-42171-00	BUSHING BUJE	1				
26	91490-16010	PIN, COTTER CHAVETA	1				
27	62Y-44135-00	SPRING RESORTE	1				

FIG. 16 CONTROL

CONTROL

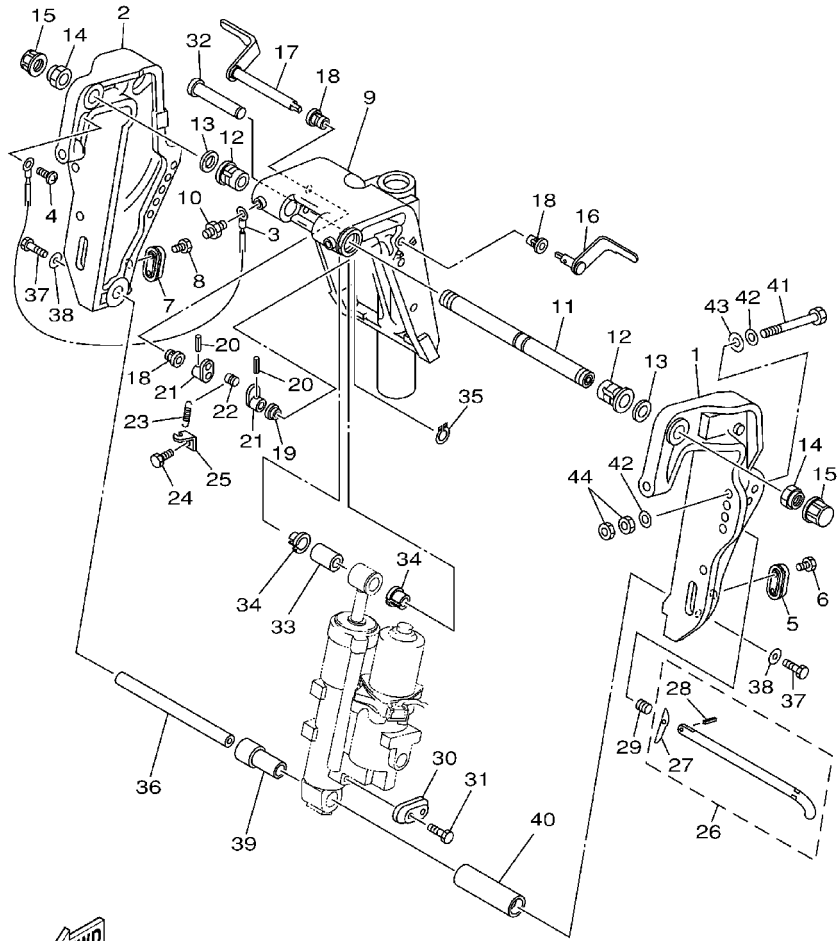


REF. NO.	PART NO. CODIGO NO.	DESCRIPTION DESCRIPTION	F50D				REMARKS OBSERVACION
28	90387-06M45	COLLAR COLLAR	1				
29	95895-06035	BOLT, FLANGE TORNILLO DE REBORDE	1				
30	62Y-42335-20	LEVER, ACCEL. CONTROL PALANCA ACELERADOR CONTROL	1				
31	62Y-44116-01	SPRING RESORTE	1				
32	90109-06M30	BOLT PERNO	1				
33	6G8-26363-00	END, WIRE 1 EXTREMO DE CABLE	2				
34	90468-18008	CLIP PRESILLA	2				
35	62Y-48538-00	CLAMP, CABLE 1 GRAMPA DE CABLE	1				
36	62Y-42159-01	STAY SOPORTE	1				

60A2200-2160

FIG. 17 BRACKET 1

SOPORTE 1

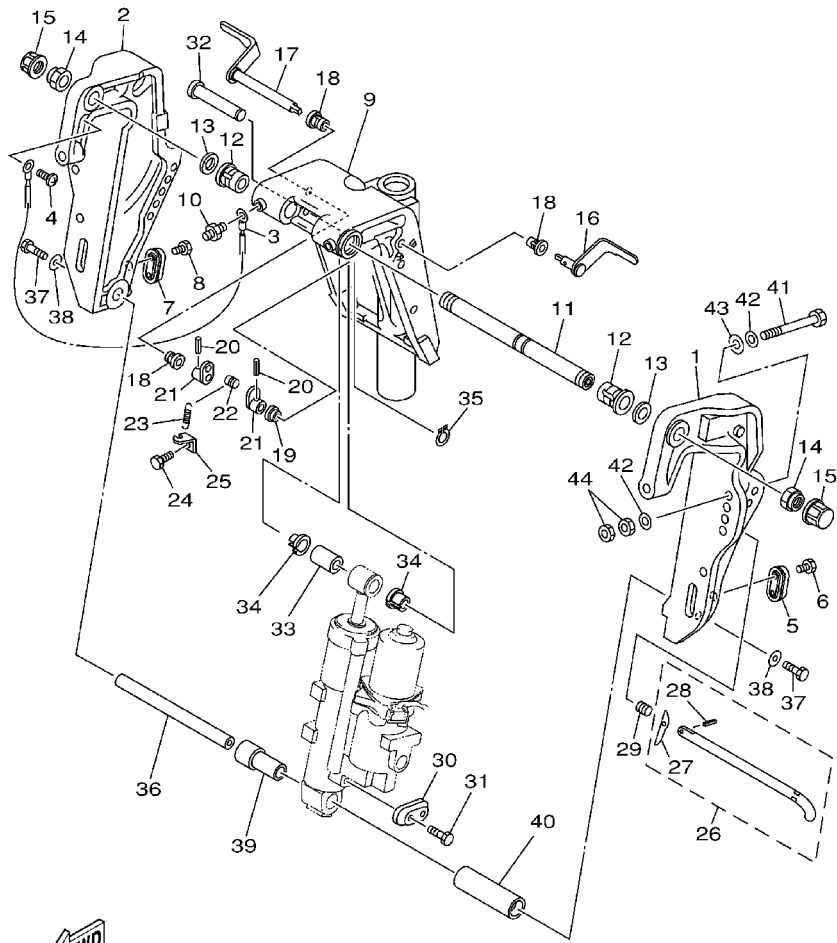


62Y0010-1210

REF. NO.	PART NO. CODIGO NO.	DESCRIPTION DESCRIPTION	F50D				REMARKS OBSERVACION
1	62Y-43111-00-4D	BRACKET, CLAMP SOPORTE DE LA ABRAZADERA	1				
2	62Y-43112-00-4D	BRACKET, CLAMP SOPORTE DE LA ABRAZADERA	1				
3	63D-82148-00	WIRE, LEAD 4 CABLE CONDUCTOR 4	1				
4	97885-06008	SCREW, PAN HEAD TORNILLO A MUESCA	1				
5	65W-45251-00	ANODE CATODE	1				
6	90101-06020	BOLT TORNILLO	2				
7	65W-45251-00	ANODE CATODE	1				
8	90101-06020	BOLT TORNILLO	2				
9	63D-43311-13-4D	BRACKET, SWIVEL 1 SOPORTE GIRATORIO 1	1				
10	93700-06M03	NIPPLE, GREASE BOQUILLA DE ENGRASAR	3				
11	63D-43131-01	BOLT, CLAMP BRACKET TORNILLO DE ABRAZADERA DEL SOP	1				
12	90386-22M15	BUSH BUJE	2				
13	90201-22M03	WASHER, PLATE ARANDELA PLANA	2				
14	90185-22M11	NUT, SELF-LOCKING TUERCA AUTOBLOCANTE	2				
15	6G5-43145-01	CAP, CLAMP BRACKET TAPA	2				
16	6H5-43181-03	LEVER, TILT STOP PALANCA TOPE INCLINACION	1				
17	6H5-43185-03	LEVER, TILT STOP PALANCA TOPE INCLINACION	1				
18	90386-10M16	BUSH BUJE	3				
19	90386-10025	BUSH BUJE	1				
20	91690-30020	PIN, SPRING PASADOR DE RESORTE	2				
21	6G5-43148-00	COLLAR, DISTANCE COLLAR	2				
22	90249-06M19	PIN PASADOR	1				
23	90506-14M24	SPRING, TENSION RESORTE DE TENSION	1				
24	97095-06010	BOLT PERNO	1				
25	6G5-43144-00	HOOK, SPRING GANCHO	1				
26	688-43160-01	TILT ROD ASSY VARILLA DE BASCULACION COMPL.	1				
27	688-43165-00	.PLATE, TILT LOCK .PLACA DE TOPE, VARILLA SEGUR	1				

FIG. 17 BRACKET 1

SOPORTE 1



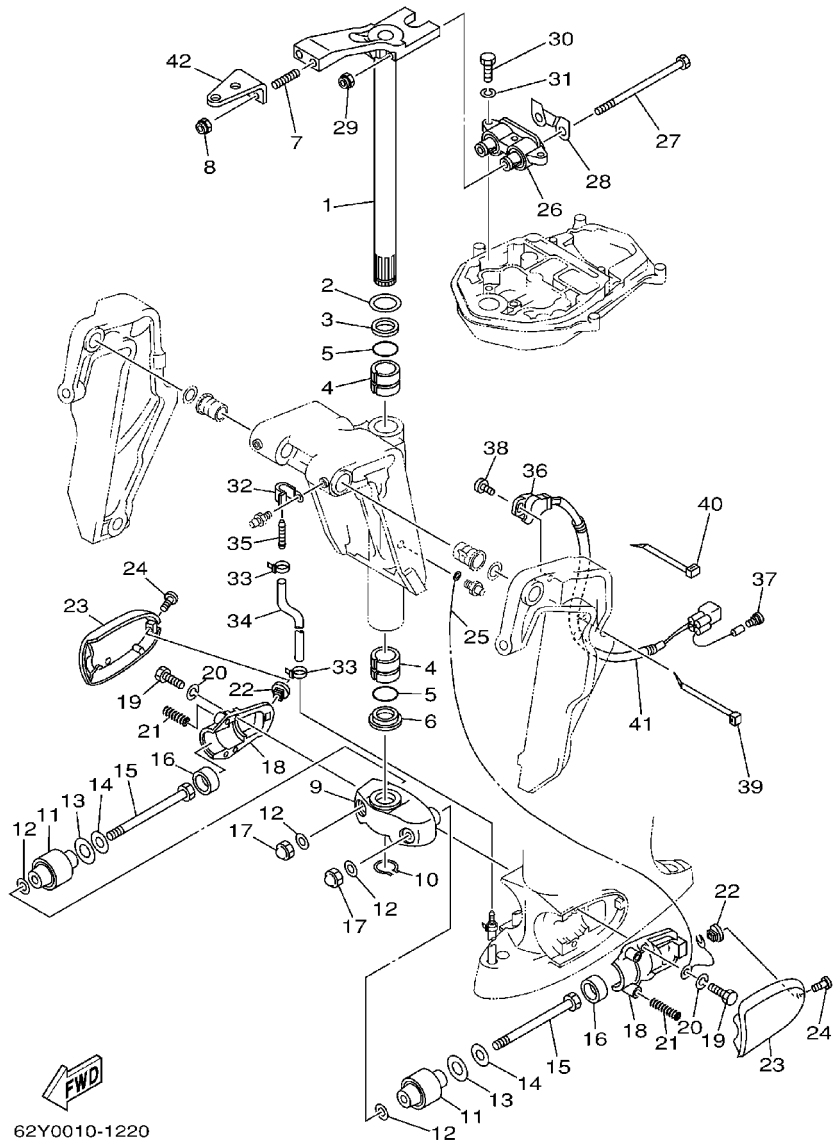
REF. NO.	PART NO. CODIGO NO.	DESCRIPTION DESCRIPTION	F50D				REMARKS OBSERVACION
28	91690-30012	.PIN, SPRING .PASADOR DE RESORTE	1				
29	90502-16M02	SPRING, CONICAL RESORTE CONICO	1				
30	65W-45251-00	ANODE CATODE	1				
31	90101-06020	BOLT TORNILLO	2				
32	6E5-43126-02	PIN, UPPER SHOCK MOUNT PASADOR DE AMORTIGUADOR SUPERI	1				
33	90386-18M92	BUSH BUJE	1				
34	90386-18M35	BUSH BUJE	2				
35	93410-18M02	CIRCLIP SEGURO	1				
36	62Y-43818-00	PIN, LOWER SHOCK MOUNT PASADOR AMORTIGUADOR INFERIOR	1				
37	97080-08016	BOLT PERNO	2				
38	90201-08M04	WASHER, PLATE ARANDELA PLANA	2				
39	90387-18002	COLLAR COLLAR	1				
40	90387-18003	COLLAR COLLAR	1				
41	90101-12M65	BOLT TORNILLO	4				
42	92995-12200	WASHER ARANDELA	8				
43	90201-12426	WASHER, PLATE ARANDELA PLANA	4				
44	95380-12600	NUT TUERCA	8				



62Y0010-1210

FIG. 18 BRACKET 2

SOPORTE 2

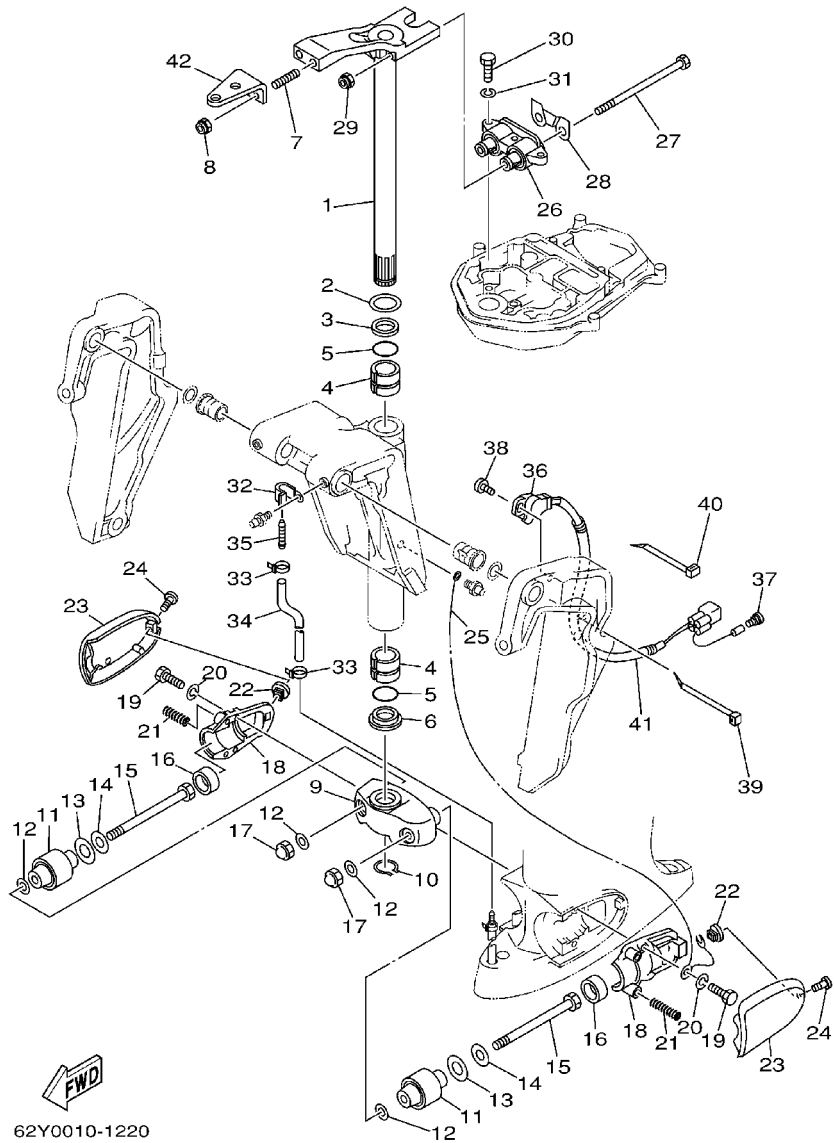


62Y0010-1220

REF. NO.	PART NO. CODIGO NO.	DESCRIPTION DESCRIPTION	F50D				REMARKS OBSERVACION
1	63D-42510-11-4D	STEERING BRACKET ASSY SOPORTE DIRECCION COMPL.	1				
2	90201-30M00	WASHER, PLATE ARANDELA PLANA	1				
3	90386-30M78	BUSH BUJE	1				
4	90386-30M77	BUSH BUJE	2				
5	93210-29M94	O-RING JUNTA TORICA	2				
6	90386-30M60	BUSH BUJE	1				
7	90116-10175	BOLT, STUD ESPARRAGO	2				
8	90185-10051	NUT, SELF-LOCKING TUERCA AUTOBLOCANTE	2				
9	663-44551-02-4D	HOUSING, LOWER MOUNT RUBBER CAJA AMORTIGUADOR INFERIOR HU	1				
10	93410-28M06	CIRCLIP SEGURO	1				
11	62Y-44555-00-94	MOUNT DAMPER, LOWER SIDE AMORTIGUADOR DE HULE LADO INFE	2				
12	90201-12M16	WASHER, PLATE ARANDELA PLANA	4				
13	90202-21100	WASHER, PLATE ARANDELA DE PLANA	2				
14	90201-13M19	WASHER, PLATE ARANDELA PLANA	2				
15	90109-12261	BOLT PERNO	2				
16	663-44575-00	DAMPER, LOWER MOUNT RUBBER AMORTIGUADOR INFERIOR	2				
17	95380-12800	NUT, CROWN TUERCA	2				
18	663-44552-01-94	HOUSING, LOWER MOUNT RUBBER CAJA AMORTIGUADOR INFERIOR HU	2				
19	97075-08025	BOLT PERNO	4				
20	92995-08100	WASHER ARANDELA	4				
21	90501-14M08	SPRING, COMPRESSION RESORTE DE COMPRESION	4				
22	90179-06066	NUT TUERCA	2				
23	62Y-44553-01-4D	COVER, LOWER MOUNT CUBIERTA, AMORTIGUADOR INFERIOR	2				
24	97885-06016	SCREW, PAN HEAD TORNILLO A MUESCA	2				
25	697-82127-01	WIRE, LEAD 2 CABLE CONDUCTOR 2	1				
26	67C-44514-00-4D	MOUNT DAMPER, UPPER SIDE AMORTIGUADOR LADO SUPERIOR	1				
27	90101-08M15	BOLT TORNILLO	2				

FIG. 18 BRACKET 2

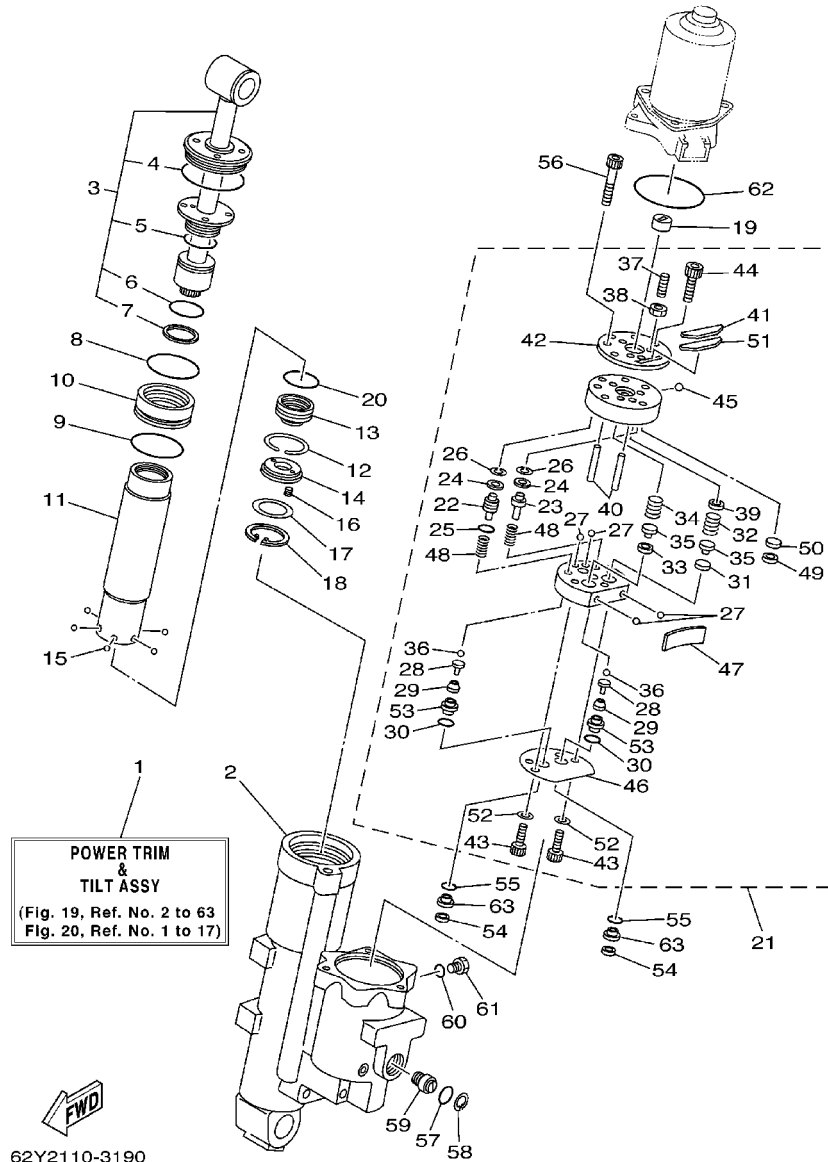
SOPORTE 2



62Y0010-1220

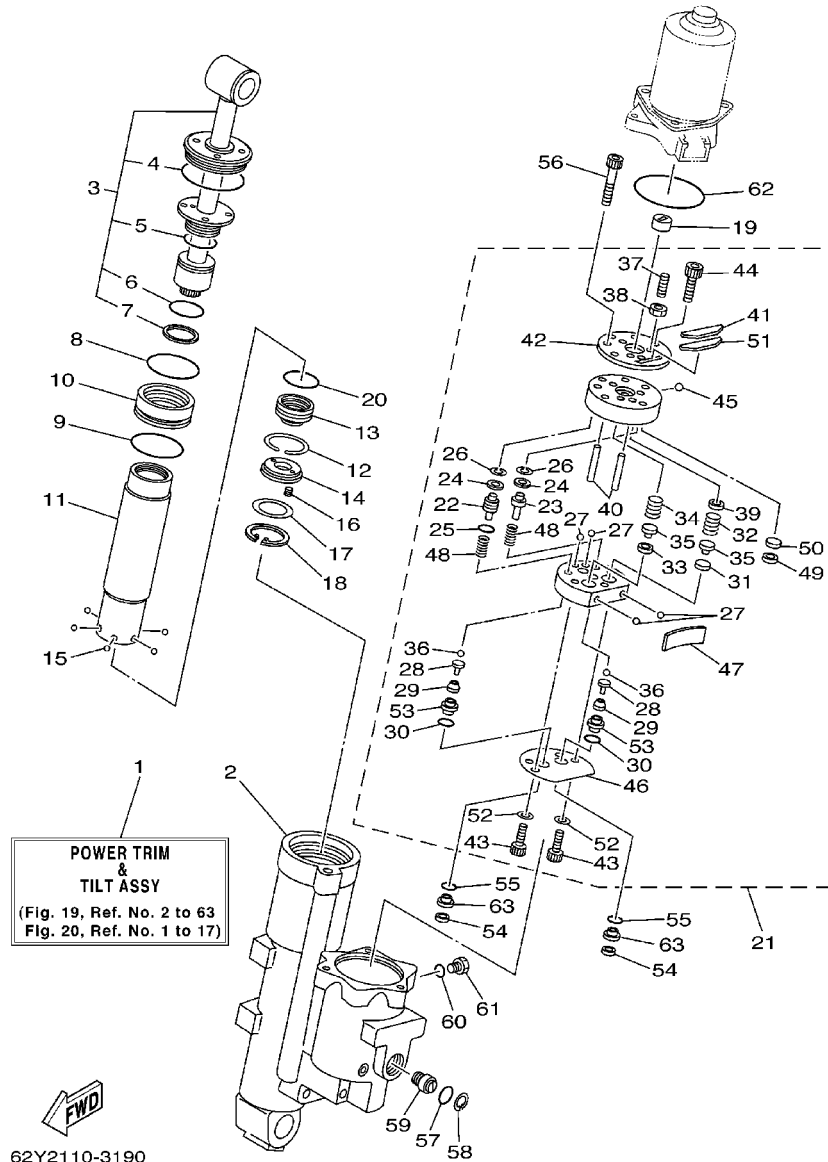
REF. NO.	PART NO. CODIGO NO.	DESCRIPTION DESCRIPTION	F50D				REMARKS OBSERVACION
28	66T-44526-30	PLATE PLACA 1	1				
29	90185-08045	NUT, SELF-LOCKING TUERCA AUTOBLOCANTE	2				
30	97075-08030	BOLT PERNO	3				
31	92995-08100	WASHER ARANDELA	3				
32	90465-06M86	CLAMP BRIDA	1				
33	90465-11M10	CLAMP BRIDA	2				
34	90445-07MF1	HOSE (L570) TUBO (L570)	1				
35	6E5-83558-00	END, NIPPLE EXTREMO DE NIPLE	1				
36	63D-83672-01	TRIM SENDER TRANSMISOR DE INCLINADOR	1				
37	703-82119-00	COVER, LEAD WIRE CUBIERTA DE CABLE CONDUCTOR	1				
38	97885-06016	SCREW, PAN HEAD TORNILLO A MUESCA	2				
39	90465-13M18	CLAMP BRIDA	1				
40	90465-11M10	CLAMP BRIDA	1				
41	90446-17M91	HOSE TUBO RESEIRADERO	1				
42	63D-48511-00-4D	HOOK, STEERING GANCHO DIRECCION	1				STEERING GUIDE

FIG. 19 POWER TRIM & TILT ASSY 1 COMPONER Y PODER VARILLA 1



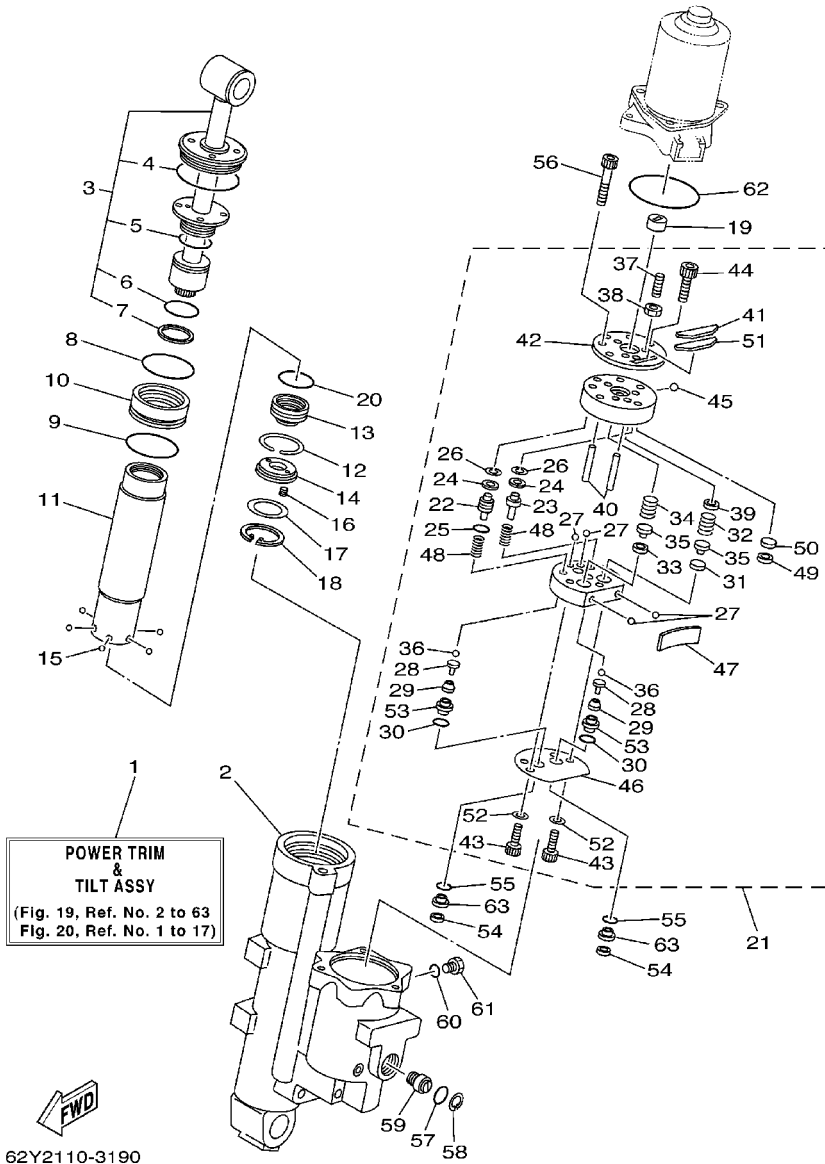
REF. NO.	PART NO. CODIGO NO.	DESCRIPTION DESCRIPTION	F50D				REMARKS OBSERVACION
1	62Y-43800-01-4D	POWER TRIM & TILT ASSY ELEVADOR HIDRAULICO COMPL	1				
2	62Y-4380K-01	CYLINDER, TILT SUB ASSY CILINDRO, INCLINACION	1				
3	62X-43810-01	TILT PISTON SUB ASSY ELEVADOR SUB-PISTON COMPL	1				
4	62X-43861-00	.O-RING .ANILLO EN O 1	1				
5	62X-43862-00	.O-RING .ANILLO EN O 2	1				
6	93210-29375	.O-RING JUNTA TORICA	1				
7	62X-43871-00	.RING, BACK UP .ANILLO	1				
8	93210-44383	O-RING JUNTA TORICA	1				
9	93210-48214	O-RING JUNTA TORICA	1				
10	62X-4388A-00	PISTON, TRIM PISTON	1				
11	62Y-22471-00	CYLINDER, SHOCK ABSORBER CILINDRO DE AMORTIGUADOR	1				
12	67F-43875-00	RING, SNAP ANILLO	1				
13	69W-4381B-00	FREE PISTON SUB ASSY SUB-PISTON COMPL	1				
14	62X-43899-00	PLATE STOPPER PLACA	1				
15	93503-16003	BALL ESFERA	6				
16	62X-4384H-00	SPRING RESORTE	2				
17	1UF-22434-00	PLATE, VALVE 1 PLATO DE VALVULA 1	1				
18	62X-43875-00	RING, SNAP ANILLO	1				
19	6H1-43831-10	CONNECTOR, SHAFT CONEXION EJE	1				
20	93210-29375	O-RING JUNTA TORICA	1				
21	62Y-43830-01	GEAR PUMP ASSY ENGRANAJE BOMBA COMPL.	1				
22	69J-43841-00	.PISTON, SHUTTLE .PISTON	1				
23	69J-4384M-00	.PISTON, SHUTTLE 2 .PISTON 2	1				
24	69A-4384F-00	.SEAL, MAIN VALVE .ASIENTO	2				
25	6H1-43883-00	.O-RING .ANILLO EN O 10	1				
26	99001-03600	.CIRCLIP .PRESILLA REDONDA	2				
27	93505-32038	.BALL .ESFERA	4				

FIG. 19 POWER TRIM & TILT ASSY 1 COMPONER Y PODER VARILLA 1



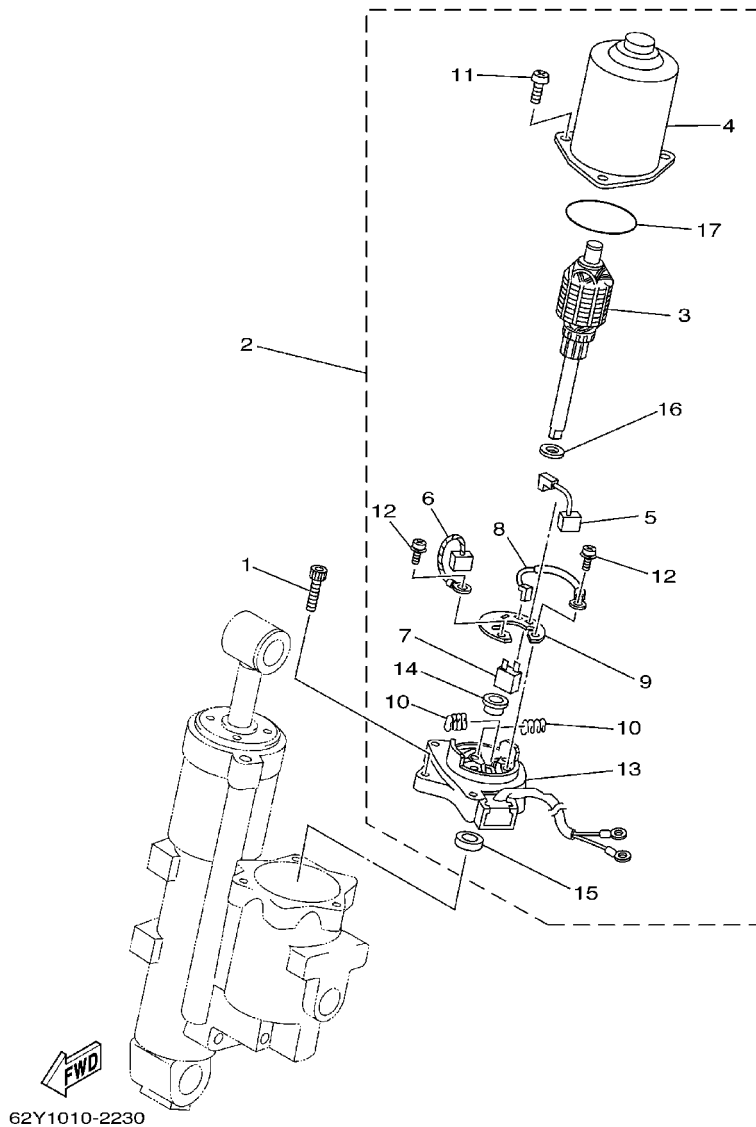
REF. NO.	PART NO. CODIGO NO.	DESCRIPTION DESCRIPTION	F50D				REMARKS OBSERVACION
28	65W-4386A-00	.PIN, ABSORBER VALVE .PASADOR VALVULA ABSORBER	2				
29	69J-43853-00	.SPRING, MAIN VALVE .RESORTE	2				
30	69J-4389J-00	.O-RING .ANILLO O	2				
31	6H1-4384G-11	.SEAL, RELIEF VALVE .ASIENTO	1				
32	62Y-43855-00	.SPRING, UP RELIEF .RESORTE SEGURIDAD SUPERIOR	1				
33	6H1-4384F-10	.SEAL, MAIN VALVE .ASIENTO	1				
34	6H1-43856-10	.SPRING, DOWN RELIEF .RESORTE SEGURIDAD	1				
35	6H1-43844-10	.PIN, VALVE SUPPORT .PASADOR VALVULA SOPORTE	2				
36	93505-32038	.BALL .ESFERA	2				
37	92A08-03110	.SCREW SET .TORNILLO	1				
38	95307-03600	.NUT .TUERCA	1				
39	62Y-4382A-00	.ADAPTOR 1 .ADAPTADOR 1	1				
40	93604-26256	.PIN, DOWEL .PASADOR DE CLAVIJA	2				
41	62Y-43816-00	.FILTER 1 .FIELTRO 1	1				
42	62Y-4382L-00	.CAP, RELIEF VALVE .TAPA	1				
43	91318-05020	.BOLT .TORNILLO	2				
44	91318-05008	.BOLT .TORNILLO	2				
45	93501-08001	.BALL .ESFERA	1				
46	69W-4384G-00	.SEAL, RELIEF VALVE .ASIENTO	1				
47	62Y-43854-00	.SPRING, MANUAL RELEASE .RESORTE DESCOPLIO MANUAL	1				
48	69J-43894-00	.SPRING, SHUTTLE RETURN .RESORTE	2				
49	62Y-4387J-00	.WASHER, SPECIAL 2 .FIELTRO2	1				
50	62Y-22434-00	.PLATE, VALVE 1 .PLATO DE VALVULA 1	1				
51	62Y-43871-00	.RING, BACK UP .ANILLO	1				
52	62Y-4387G-00	.WASHER .ARANDELA	2				
53	69J-43893-00	.WASHER .RONDANA	2				
54	6H1-43816-00	FILTER 1 FIELTRO 1	2				

FIG. 19 POWER TRIM & TILT ASSY 1 COMPONER Y PODER VARILLA 1

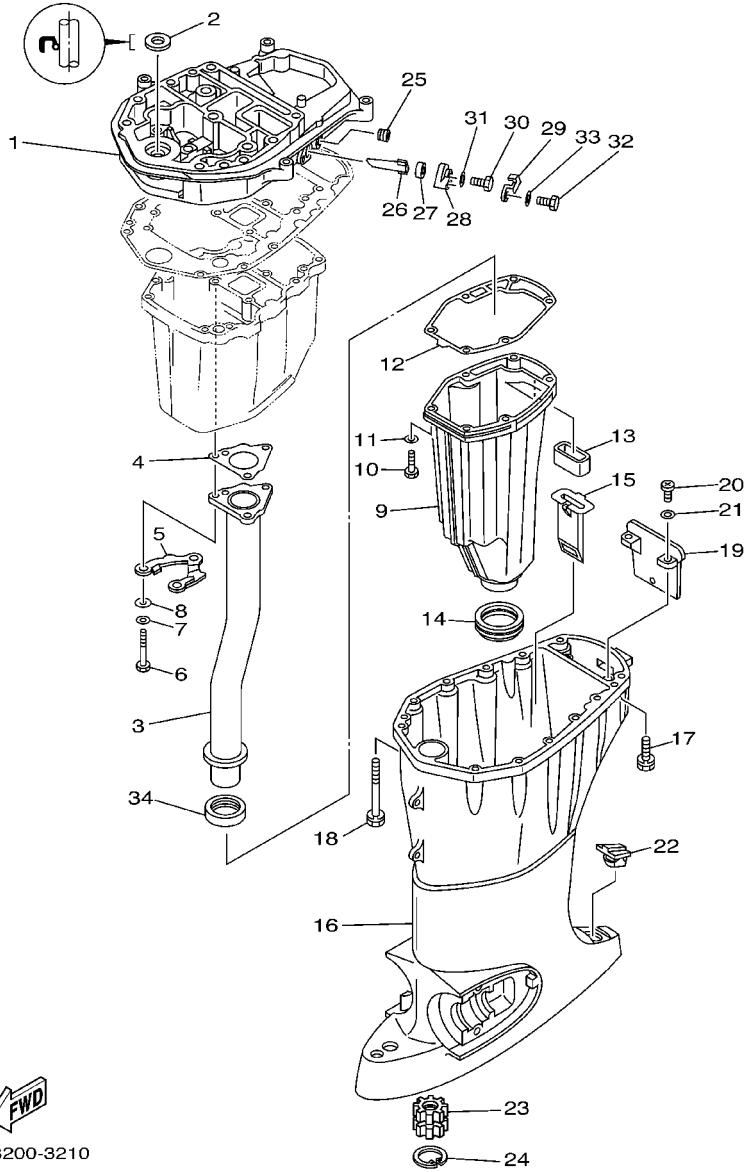


REF. NO.	PART NO. CODIGO NO.	DESCRIPTION DESCRIPTION	F50D				REMARKS OBSERVACION
55	69J-4389J-00	O-RING ANILLO O	2				
56	91318-06040	BOLT TORNILLO	3				
57	93210-18397	O-RING JUNTA TORICA	1				
58	6H1-43875-00	RING, SNAP ANILLO	1				
59	62Y-43845-00	SCREW, MANUAL RELEASE TORNILLO_DESCOPLO MANUAL	1				
60	93210-09165	O-RING JUNTA TORICA	1				
61	6H1-43829-00	PLUG, RESERVOIR TAPON DEPOSITO	1				
62	62X-43865-00	O-RING ANILLO EN O 5	1				
63	69W-43899-01	PLATE STOPPER PLACA	2				

FIG. 20 POWER TRIM & TILT ASSY 2 COMPONER Y PODER VARILLA 2



REF. NO.	PART NO. CODIGO NO.	DESCRIPTION DESCRIPTION	F50D				REMARKS OBSERVACION
1	62X-43888-00	BOLT, SOCKET TORNILLO ENCASTRE	3				
2	62Y-43880-01	MOTOR ASSY MOTOR COMPL.	1				
3	62Y-43805-00	.ARMATURE ASSY .INDUCIDO COMPL.	1				
4	62X-43804-01	.STATOR ASSY .ESTATOR COMPL	1				
5	62Y-43892-00	.BRUSH 2 .ESCOBILLA 2	1				
6	62Y-43891-00	.BRUSH 1 .ESCOBILLA 1	1				
7	62Y-82181-01	.CIRCUIT BREAKER COMP. .RUPTOR DE CIRCUITO COMPL	1				
8	62X-43807-00	.WIRE SUB ASSY .CABLE COMPL.	1				
9	69W-4380F-00	.PLATE, BRUSH HOLDER .PLACA	1				
10	62X-4386K-00	.SPRING, BRUSH .RESORTE, ESCOBILLA	2				
11	97880-05020	.SCREW, PAN HEAD .TORNILLO DE CABEZA CON PLANA	3				
12	97607-04212	.SCREW, WITH WASHER .TORNILLO CAB CON PLANA C/ARAN	2				
13	62Y-43881-00	.FRAME, END .CUADRO EXTERMO	1				
14	62X-4380H-00	.METAL .METAL	1				
15	93102-08414	.OIL SEAL .RETEN DE ACEITE	1				
16	90201-083J8	.WASHER, PLATE .ARANDELA PLANA	1				
17	93210-52449	.O-RING .JUNTA TORICA	1				



FWD
60A3200-3210

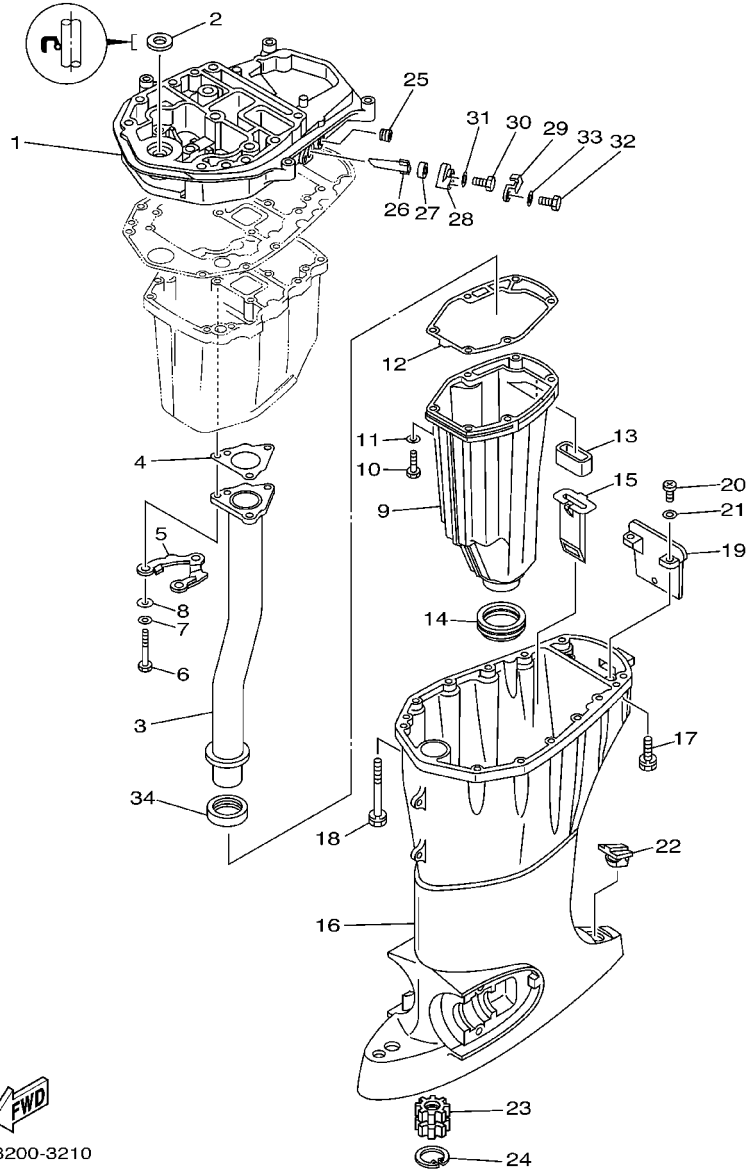
FIG. 21 UPPER CASING

FUNDA SUPERIOR

REF. NO.	PART NO. CODIGO NO.	DESCRIPTION DESCRIPTION	F50D				REMARKS OBSERVACION
1	64J-41137-01-94	GUIDE, EXHAUST GUIA DE ESCAPE	1				
2	93103-18011	OIL SEAL RETEN DE ACEITE	1				
3	64J-41131-10	MANIFOLD, EXT. 1 TUBO MULTIPLE DE ESCAPE	1				
4	64J-41133-10	GASKET, EXHAUST MANIFOLD 1 EMPAQUE ESCAPE MULTIPLE	1				
5	64J-41116-00	PROTECTOR PROTECTOR	1				
6	97075-06050	BOLT PERNO	3				
7	92995-06600	WASHER ARANDELA	3				
8	90201-06015	WASHER, PLATE ARANDELA PLANA	3				
9	64J-14711-00-5B	MUFFLER 1 SILENCIADOR 1	1				
10	97075-06025	BOLT PERNO	6				
11	92995-06600	WASHER ARANDELA	6				
12	62Y-41134-01	GASKET, EXHAUST MANIFOLD EMPAQUE	1				
13	62Y-45127-00	SEAL SELLO DE GOMA	1				
14	663-45123-00	GASKET, MUFFLER EMPAQUE SILENCIADOR	1				
15	64J-77123-00	GUIDE 1 GUIA 1	1				
16	62Y-45111-21-4D	CASING, UPPER CAJA SUPERIOR	1				
17	90119-08M79	BOLT, WITH WASHER TORNILLO CON ARANDELA	4				
18	90119-08M82	BOLT, WITH WASHER TORNILLO CON ARANDELA	8				
19	62Y-45151-00	COVER, UPPER CASING CUBIERTA FUNDA SUPERIOR	1				
20	97880-05016	SCREW, PAN HEAD TORNILLO DE CABEZA CON PLANA	2				
21	92990-05600	WASHER, PLATE ARANDELA PLANA	2				
22	6H3-45155-00	CAP TAPA	1				
23	69W-45318-00	BUSHING, DRIVE SHAFT BUJE, EJE DE MANDO	1				
24	93420-36M01	CIRCLIP BOLA	1				
25	68T-11112-00	PLUG, BLIND 1 TAPON	1				
26	62Y-11325-00	ANODE ANODO	1				
27	66M-11328-00	GROMMET, ANODE TAPON	1				

FIG. 21 UPPER CASING

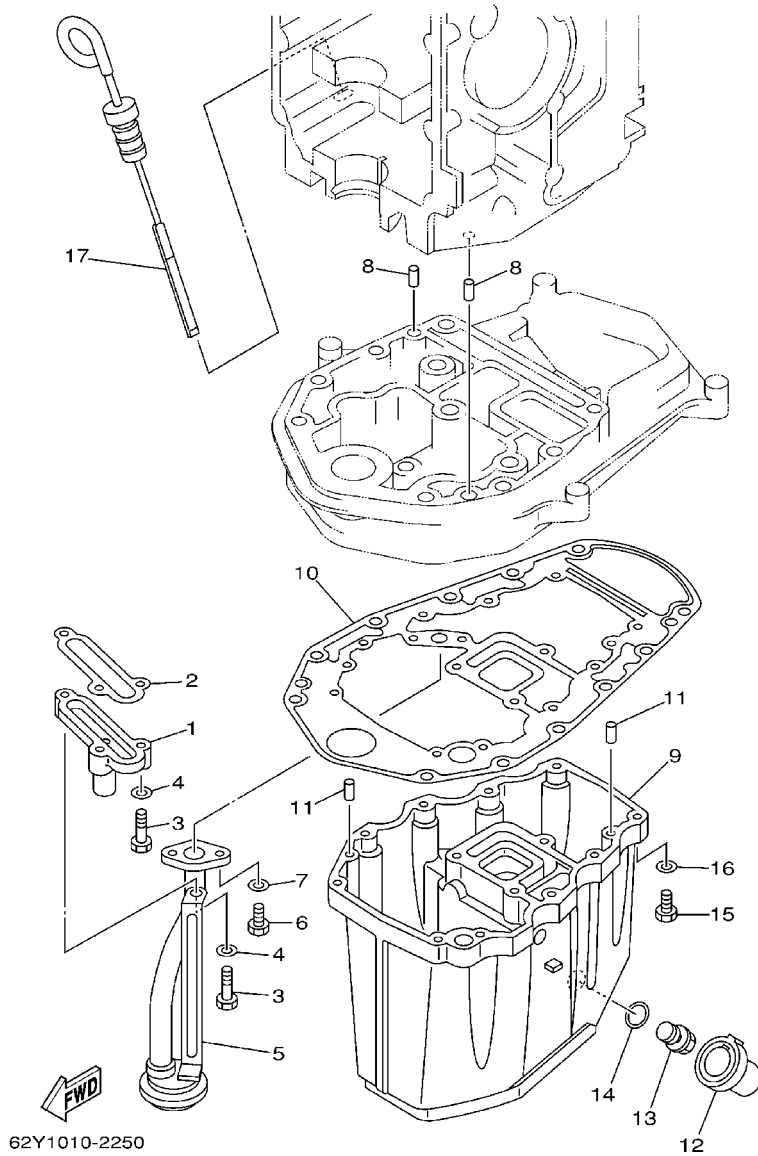
FUNDA SUPERIOR



REF. NO.	PART NO. CODIGO NO.	DESCRIPTION DESCRIPTION	F50D					REMARKS OBSERVACION
28	66M-11327-00-94	COVER, ANODE CUBIERTA	1					
29	66M-12535-00	PLATE EMPAQUETADURA	1					
30	97095-05012	BOLT PERNO	1					
31	92995-05600	WASHER ARANDELA	1					
32	97013-06020	BOLT PERNO	1					
33	92903-06600	WASHER, PLATE RONDANA SENCILLA	1					
34	64J-46132-10	GASKET 1 EMPAQUE 1	1					

FIG. 22 OIL PAN

OIL PAN

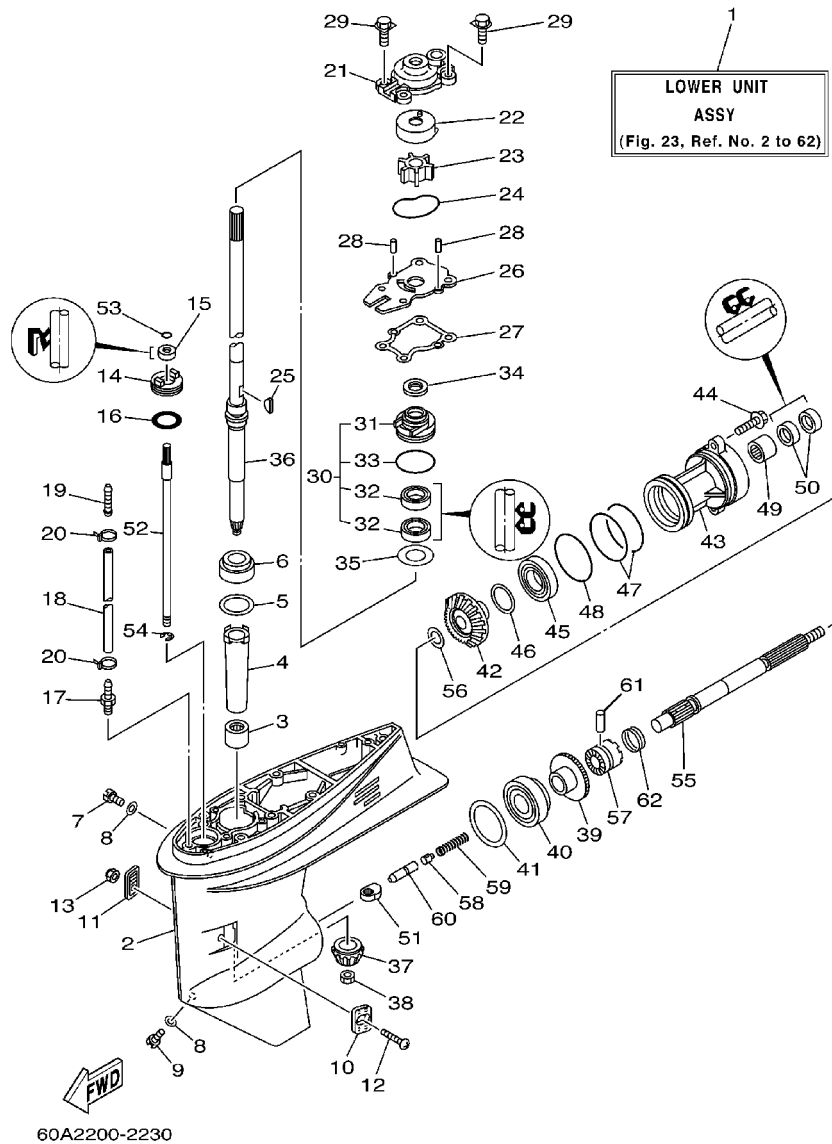


62Y1010-2250

REF. NO.	PART NO. CODIGO NO.	DESCRIPTION DESCRIPTION	F50D				REMARKS OBSERVACION
1	62Y-11575-00	RELIEF VALVE ASSY CONEXION, VARILLA EJE	1				
2	62Y-13475-00	GASKET EMPAQUE	1				
3	97013-06025	BOLT PERNO	3				
4	92903-06600	WASHER, PLATE RONDANA SENCILLA	3				
5	62Y-13411-00	STRAINER, OIL FILTRO DE ACEITE	1				
6	97013-06016	BOLT PERNO	2				
7	92903-06600	WASHER, PLATE RONDANA SENCILLA	2				
8	93608-12M05	PIN, DOWEL PASADOR DE CLAVIJA	2				
9	64J-15311-01-5B	OIL PAN BANDEJA DE ACEITE	1				
10	69W-15312-00	GASKET, OIL PAN EMPAQ BANDEJA DE ACEITE	1				
11	93606-12019	PIN, DOWEL PASADOR DE CLAVIJA	4				
12	62Y-15316-00	DAMPER, ENGINE MOUNT 1 AMORT. MONTANTE MOTOR 1	1				
13	90340-14M06	PLUG, STRAIGHT SCREW TORNILLO, DE DRENAJE	1				
14	90430-14M09	GASKET JUNTA	1				
15	97075-06025	BOLT PERNO	10				
16	92995-06600	WASHER ARANDELA	10				
17	62Y-15362-00	PLUG, OIL LEVEL TAPON DEL NIVEL DE ACEITE	1				

FIG. 23 LOWER CASING. DRIVE 1

IMPULSOR E INFERIOR 1



REF. NO.	PART NO. CODIGO NO.	DESCRIPTION DESCRIPTION	F50D				REMARKS OBSERVACION
1	62Y-45300-30-4D	LOWER UNIT ASSY CONJUNTO UNIDAD INFERIOR	1				
2	62Y-45301-00-4D	CASING, LOWER FUNDA INFERIOR COMPLETA	1				
3	93315-32224	BEARING COJINETE DE RODILLOS	1				
4	6H4-45536-00	SLEEVE, DRIVE SHAFT CAMISA EJE DE MANDO	1				
5	663-45587-01-10	SHIM (T:0.10MM) LAINA (T:0.10MM)	1				UR
	663-45587-01-12	SHIM (T:0.12MM) LAINA (T:0.12MM)	1				UR
	663-45587-01-15	SHIM (T:0.15MM) LAINA (T:0.15MM)	1				UR
	663-45587-01-18	SHIM (T:0.18MM) LAINA (T:0.18MM)	1				UR
	663-45587-01-30	SHIM (T:0.30MM) LAINA (T:0.30MM)	1				UR
	663-45587-01-40	SHIM (T:0.40MM) LAINA (T:0.40MM)	1				UR
	663-45587-01-50	SHIM (T:0.50MM) LAINA (T:0.50MM)	1				UR
6	93332-00001	BEARING COJINETE DE RODILLOS AHUSADO	1				
7	90340-08002	PLUG, STRAIGHT SCREW TORNILLO, DE DRENAJE	1				
8	90430-08020	GASKET JUNTA	2				
9	688-45341-10	PLUG, DRAIN TAPON, DREN	1				
10	63D-45214-00	COVER, WATER INLET CUBIERTA ENTRADA AGUA	1				
11	63D-45215-00	COVER, WATER INLET CUBIERTA ENTRADA AGUA	1				
12	90142-05M06	SCREW, COUNTERSUNK TORNILLO EMBUTIDO	1				
13	95380-05600	NUT TUERCA	1				
14	63D-45321-00	PLATE PLACA	1				
15	93106-09014	OIL SEAL RETEN DE ACEITE	1				
16	93210-33MG4	O-RING JUNTA TORICA	1				
17	6E5-45378-00	NIPPLE, HOSE NIPLE MANGUERA	1				
18	90445-07M31	HOSE (L200) TUBO (L200)	1				
19	6E5-83558-10	END, NIPPLE EXTREMO DE NIPLE	1				
20	90465-11M10	CLAMP BRIDA	2				
21	63D-44311-00	HOUSING, WATER PUMP CAJA BOMBA DE AGUA	1				

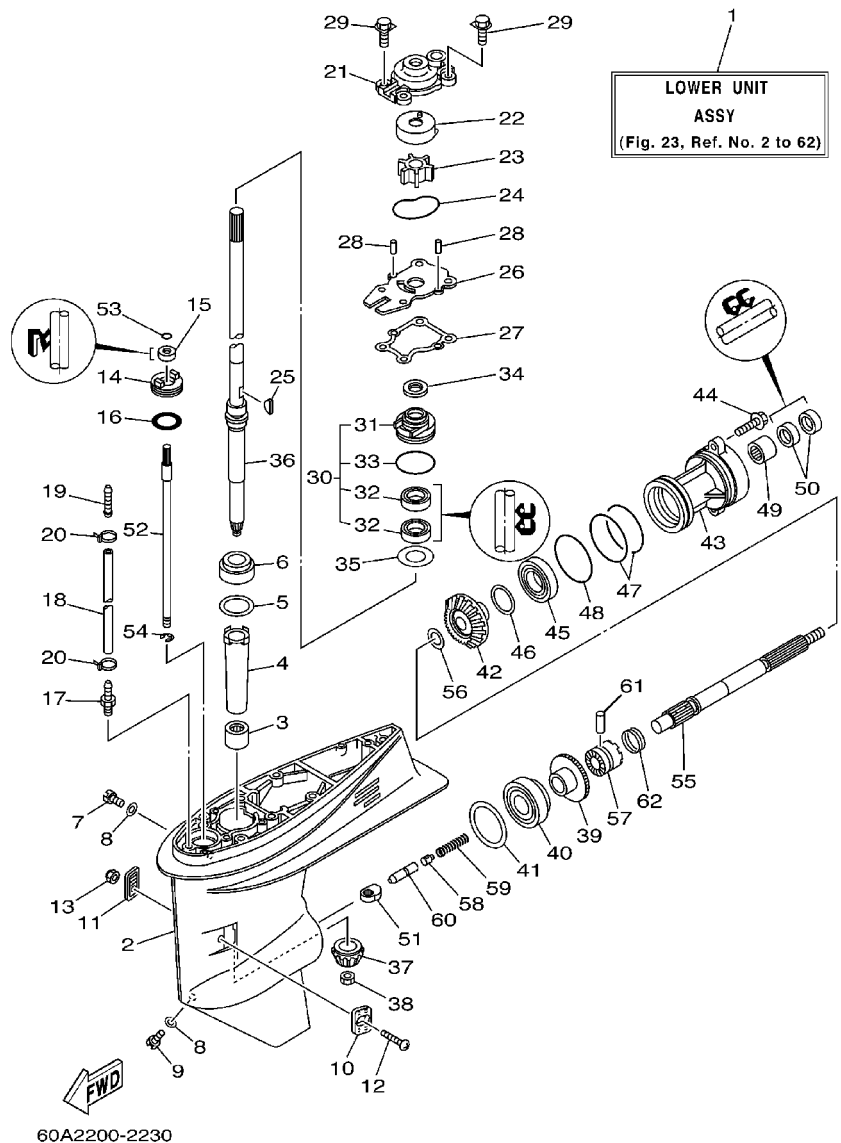


FIG. 23 LOWER CASING. DRIVE 1 IMPULSOR E INFERIOR 1

REF. NO.	PART NO. CODIGO NO.	DESCRIPTION DESCRIPTION	F50D				REMARKS OBSERVACION
22	63D-44322-40	INSERT, CARTRIDGE CARTUCHO	1				FOR CHROMATE
23	6H3-44352-00	IMPELLER IMPULSOR	1				
24	93210-59MG7	O-RING JUNTA TORICA	1				
25	90280-03024	KEY, WOODRUFF CUNA WOODRUFF	1				
26	63D-44323-40	OUTER PLATE, CARTRIDGE PLACA EXTERIOR DEL CARTUCHO	1				FOR CHROMATE
27	63D-44316-00	GASKET, WATER PUMP EMPAQUE	1				
28	93604-08062	PIN, DOWEL PASADOR DE CLAVIJA	2				
29	90119-08M15	BOLT, WITH WASHER TORNILLO CON ARANDELA	4				
30	63D-W4434-00	WATER PUMP HOUSING ASSY CAJA COMPLET, BOMBA DE AGUA	1				
31	63D-44341-00	HOUSING, WATER PUMP CAJA BOMBA DE AGUA	1				
32	93101-25M57	OIL SEAL RETEN DE ACEITE	2				
33	93210-48MG8	O-RING JUNTA TORICA	1				
34	63D-45344-00	COVER, OIL SEAL CUBIERTA SELLO ACEITE	1				
35	90201-27M00	WASHER, PLATE ARANDELA PLANA	1				
36	62Y-45501-30	DRIVE SHAFT COMP. EJE DE MANDO COMPL.	1				
37	6H4-45551-01	PINION PINON	1				
38	90170-12138	NUT TUERCA	1				
39	6H4-45560-01	GEAR ENGRANE COMPLE 1	1				
40	93332-00003	BEARING COJINETE DE RODILLOS AHUSADO	1				
41	663-45567-01-10	SHIM (T:0.10MM) LAINA (T:0.10MM)	1				UR
41	663-45567-01-12	SHIM (T:0.12MM) LAINA (T:0.12MM)	1				UR
41	663-45567-01-15	SHIM (T:0.15MM) LAINA (T:0.15MM)	1				UR
41	663-45567-01-18	SHIM (T:0.18MM) LAINA (T:0.18MM)	1				UR
41	663-45567-01-30	SHIM (T:0.30MM) LAINA (T:0.30MM)	1				UR
41	663-45567-01-40	SHIM (T:0.40MM) LAINA (T:0.40MM)	1				UR
41	663-45567-01-50	SHIM (T:0.50MM) LAINA (T:0.50MM)	1				UR
42	62Y-45571-00	GEAR ENGRANAJE	1				

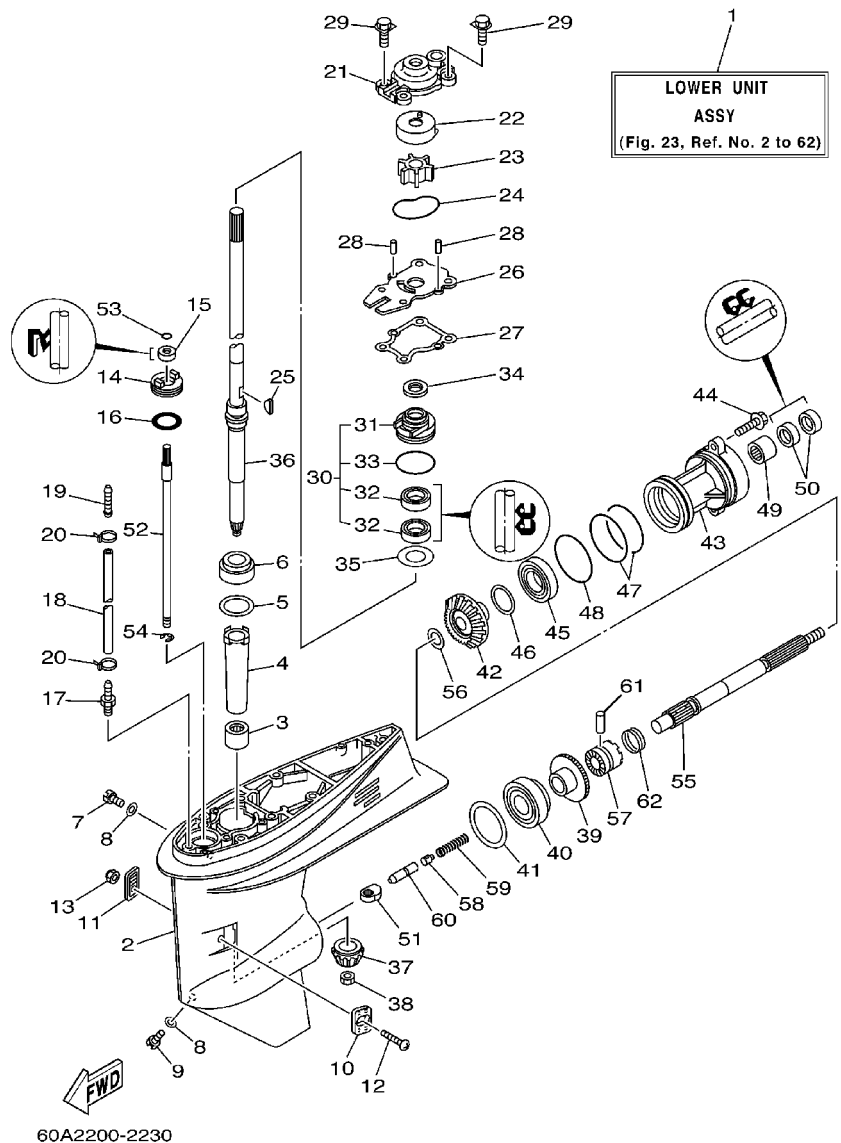
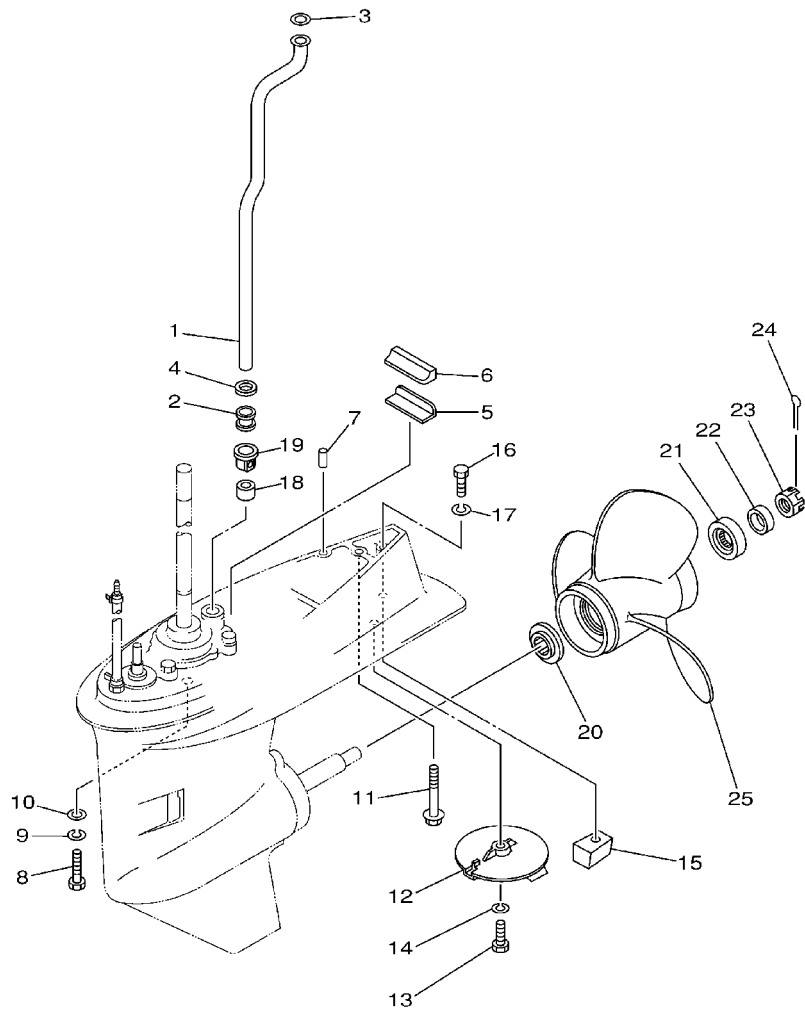


FIG. 23 LOWER CASING. DRIVE 1 IMPULSOR E INFERIOR 1

REF. NO.	PART NO. CODIGO NO.	DESCRIPTION DESCRIPTION	F50D				REMARKS OBSERVACION
43	63D-45361-02-4D	CAP. LOWER CASING FUNDA INFERIOR	1				
44	90105-08M61	BOLT, FLANGE TORNILLO	2				
45	93306-001U1	BEARING COJINETE	1				
46	63D-45577-00-10	SHIM (T:0.10MM) LAINA (T:0.10MM)	1				UR
	63D-45577-00-12	SHIM (T:0.12MM) LAINA (:0.12MM)	1				UR
	63D-45577-00-15	SHIM (T:0.15MM) LAINA (T:0.15MM)	1				UR
	63D-45577-00-18	SHIM (T:0.18MM) LAINA (T:0.18MM)	1				UR
	63D-45577-00-30	SHIM (T:0.30MM) LAINA (T:0.30MM)	1				UR
	63D-45577-00-40	SHIM (T:0.40MM) LAINA (T:0.40MM)	1				UR
	63D-45577-00-50	SHIM (T:0.50MM) LAINA (T:0.50MM)	1				UR
47	93210-74MG5	O-RING JUNTA TORICA	2				
48	93210-69MG6	O-RING JUNTA TORICA	1				
49	93317-22204	BEARING COJINETE DE RODILLOS	1				
50	93101-22M00	OIL SEAL RETEN DE ACEITE	2				
51	62Y-44151-00	CAM, SHIFT LEVA DE CAMBIO	1				
52	63D-44144-00	ROD, SHIFT VARILLA DE CAMBIO	1				
53	93210-07003	O-RING JUNTA TORICA	1				
54	99001-08600	CIRCLIP PRESILLA REDONDA	1				
55	63D-45611-00	SHAFT, PROPELLER EJE PROPUSOR	1				
56	90201-22429	WASHER, PLATE ARANDELA PLANA	1				
57	62Y-45631-00	CLUTCH, DOG EMBRAGUE DE GARRA	1				
58	663-45634-00	SLIDE, SHIFT DESLIZADOR, CAMBIO	1				
59	90501-18001	SPRING, COMPRESSION RESORTE DE COMPRESION	1				
60	63D-45635-00	PLUNGER, SHIFT EMBOLO DE CAMBIO	1				
61	90250-06023	PIN, STRAIGHT PASADOR CILINDRICO	1				
62	67C-45633-00	RING, CROSS PIN ANILLO DE PASADOR	1				

FIG. 24 LOWER CASING. DRIVE 2

IMPULSOR E INFERIOR 2

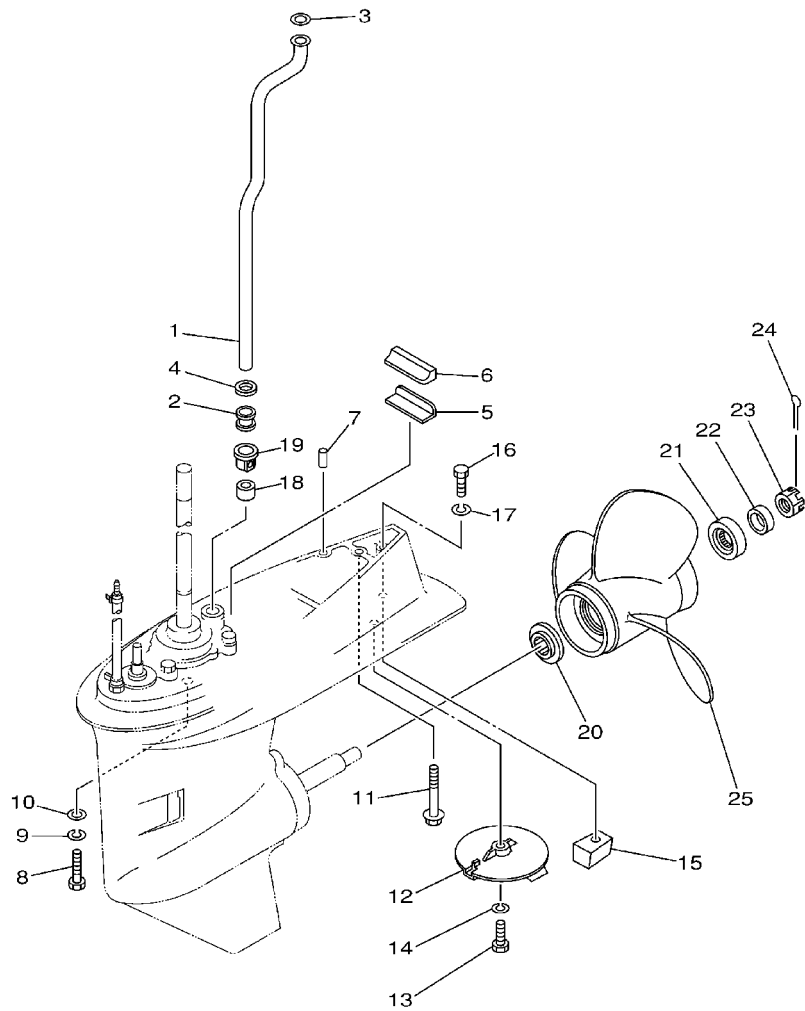



62Y0100-1270

REF. NO.	PART NO. CODIGO NO.	DESCRIPTION DESCRIPTION	F50D				REMARKS OBSERVACION
1	62Y-44361-00	TUBE, WATER TUBO DE AGUA	1				
2	663-44367-00	DAMPER, WATER SEAL GOMA DEL SELLO DE AGUA	1				
3	90202-12060	WASHER, PLATE ARANDELA DE PLANA	1				
4	90430-12072	GASKET JUNTA	1				
5	663-45376-00-94	GUIDE, SEAL DAMPER GUIA DE SELLO GOMA	1				
6	63D-45375-00	DAMPER, SEAL GOMA DE SELLO	1				
7	93606-12019	PIN, DOWEL PASADOR DE CLAVIJA	2				
8	97075-10040	BOLT PERNO	4				
9	92995-10100	WASHER ARANDELA	4				
10	92995-10600	WASHER ARANDELA	4				
11	90119-08M84	BOLT, WITH WASHER TORNILLO CON ARANDELA	1				
12	67C-45371-00	TAB-TRIM QUILLA ESTABILIZADOR	1				
13	97095-08025	BOLT PERNO	1				
14	92995-08100	WASHER ARANDELA	1				
15	67C-45251-00	ANODE CATODE	1				
16	97095-08035	BOLT PERNO	1				
17	92995-08100	WASHER ARANDELA	1				
18	663-44366-00	DAMPER, WATER SEAL GOMA DEL SELLO DE AGUA	1				
19	63D-44312-00	COVER, WATER PUMP HOUSING CUBIERTA CAJA BOMBA DE AGUA	1				
20	663-45987-02	SPACER ESPACIADOR	1				
21	66T-45997-00	SPACER ESPACIADOR	1				
22	90389-22M01	BUSH BUJE	1				
23	90171-16011	NUT, CASTLE TUERCA ENTALLADA	1				
24	91490-30025	PIN, COTTER CHAVETA	1				
25	69W-45945-00-EL	PROPELLER (3X11-1/8"X13"-G) PROPELA (3X11-1/8"X13"-G)	1				UR
	69W-45947-00-EL	PROPELLER (3X11-5/8"X11"-G) PROPELA (3X11-5/8"X11"-G)	1				UR
	663-45941-01-EL	PROPELLER (3X10-3/4"X17"-G) PROPELA (3X10-3/4"X17"-G)	1				UR

FIG. 24 LOWER CASING. DRIVE 2

IMPULSOR E INFERIOR 2

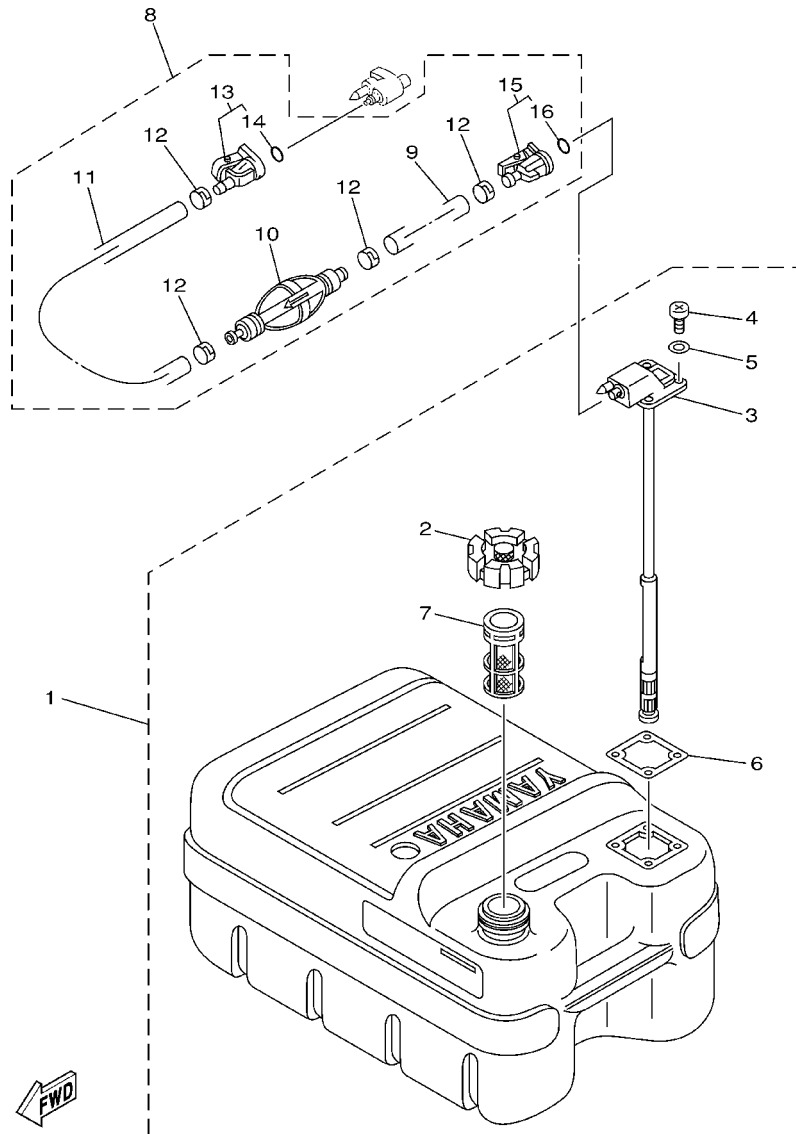


FWD
62Y0100-1270

REF. NO.	PART NO. CODIGO NO.	DESCRIPTION DESCRIPTION	F50D				REMARKS OBSERVACION
25	663-45949-01-EL	PROPELLER (3X10-3/4"X16"-G) PROPELA (3X10-3/4"X16"-G)	1				UR
	663-45952-02-EL	PROPELLER (3X11-3/8"X12"-G) PROPELA (3X11-3/8"X12"-G)	1				UR
	663-45956-01-EL	PROPELLER (3X12-1/4"X9"-G) PROPELA (3X12-1/4"X9"-G)	1				UR
	663-45958-01-EL	PROPELLER (3X11-1/4"X14"-G) PROPELA (3X11-1/4"X14"-G)	1				UR
	6H5-45943-00-EL	PROPELLER (3X10"X15"-G) PROPELA (3X10"X15"-G)	1				UR WITH LIP CUP
	6H5-45945-00-EL	PROPELLER (3X10-3/8"X13"-G) PROPELA (3X10-3/8"X13"-G)	1				UR WITH LIP CUP
	6H5-45952-00-EL	PROPELLER (3X10-5/8"X12"-G) PROPELA (3X10-5/8"X12"-G)	1				UR WITH LIP CUP
	6H5-45958-00-EL	PROPELLER (3X10-1/4"X14"-G) PROPELA (3X10-1/4"X14"-G)	1				UR WITH LIP CUP
		STAINLESS STEEL PROPELLER LIMPIO-ACERO DEL PROPELA					
	663-45970-60-98	PROPELLER (3X11-3/4"X12"-G) PROPELA (3X11-3/4"X12"-G)	1				UR
	663-45972-60-98	PROPELLER (3X12"X11"-G) PROPELA (3X12"X11"-G)	1				UR
	663-45974-60-98	PROPELLER (3X11-1/2"X13"-G) PROPELA (3X11-1/2"X13"-G)	1				UR
	663-45930-00-98	PROPELLER (3X10-1/4"X14"-G) PROPELA (3X10-1/4"X14"-G)	1				UR
	663-45974-02-98	PROPELLER (3X10-5/8"X13"-G) PROPELA (3X10-5/8"X13"-G)	1				UR
	663-45976-00-98	PROPELLER (3X10-1/4"X15"-G) PROPELA (3X10-1/4"X15"-G)	1				UR
	663-45978-00-98	PROPELLER (3X10-1/4"X16"-G) PROPELA (3X10-1/4"X16"-G)	1				UR
	697-45970-00-98	PROPELLER (3X11-1/4"X14"-G) PROPELA (3X11-1/4"X14"-G)	1				UR

FIG. 25 FUEL TANK

DEPOSITO DE COMBUSTIBLE

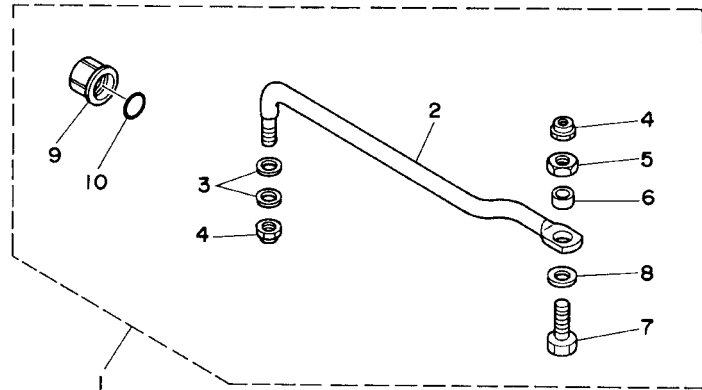


67C0100-9300

REF. NO.	PART NO. CODIGO NO.	DESCRIPTION DESCRIPTION	F50D				REMARKS OBSERVACION
1	6YJ-24201-10	FUEL TANK ASSY (24L) TANQUE DEL COMBUSTIBLE (24L)	1				AP WITH INDICATOR
2	6YJ-24610-01	.CAP ASSY .TAPA COMPLETA	1				
3	6Y1-24260-12	.FUEL METER ASSY .MEDIDOR DE COMBUSTIBLE COMPL.	1				WITH INDICATOR
4	98586-05016	.SCREW, PAN HEAD .TORNILLO DE CABEZA CON PLANA	4				
5	6Y1-24329-00	.SEAL .SELLO	4				
6	6Y1-24268-00	.GASKET, FUEL METER .EMPAQ MEDIDOR DE COMBUSTIBLE	1				
7	6YJ-24167-00	.STRAINER .COLADOR	1				
8	61J-24306-02	FUEL PIPE COMP. 1 TUBO COMBUST. COMPL 1	1				AP
9	90445-11M06	.HOSE (L2050) .MANGUERA (L2050)	1				
10	61J-24360-00	.PRIMER PUMP ASSY .SOPORTE BOMBA	1				
11	90445-11M05	.HOSE (L850) .MANGUERA (L850)	1				
12	650-24351-51	.BAND 1 .ABRAZADERA 1	4				
13	6G1-24305-03	.FUEL PIPE JOINT COMP. 2 .CONECTOR MANGUERA COMBUST. 2	1				
14	93210-08287	..O-RING ..JUNTA TORICA	1				
15	6Y1-24305-04	.FUEL PIPE JOINT COMP. 2 .CONECTOR MANGUERA COMBUST. 2	1				
16	93210-08287	..O-RING ..JUNTA TORICA	1				

FIG. 26 STEERING GUIDE

DIRECCIONGUIAR

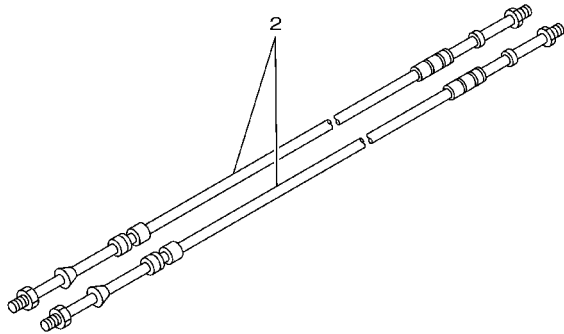
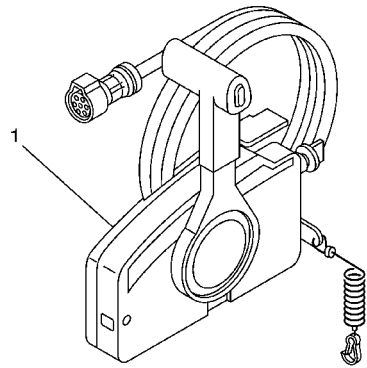


REF. NO.	PART NO. CODIGO NO.	DESCRIPTION DESCRIPTION	F50D				REMARKS OBSERVACION
1	63D-61350-00	STEERING GUIDE ATTACHMENT KIT ESTUCHE ADITAMENTO GUIA DE TIM	1				AP
2	63D-61351-00	.ROD, STEERING LINK .VARILLA ESLABON DIRECCION	1				
3	90201-10M20	.WASHER, PLATE .ARANDELA PLANA	2				
4	90185-09M01	.NUT, SELF-LOCKING .TUERCA AUTOBLOCANTE	2				
5	90170-09M03	.NUT .TUERCA	1				
6	90387-10M42	.COLLAR .COLLAR	1				
7	90101-09M01	.BOLT .TORNILLO	1				
8	90201-10M63	.WASHER, PLATE .ARANDELA PLANA	1				
9	6E5-43145-01	.CAP, CLAMP BRACKET .TAPA	1				
10	93210-16275	.O-RING .JUNTA TORICA	1				

62Y0010-5200

FIG. 27 REMOTE CONTROL BOX

CONTROL REMOTO COMPL.



REF. NO.	PART NO. CODIGO NO.	DESCRIPTION DESCRIPTION	F50D				REMARKS OBSERVACION
1	703-48205-A4	REMOTE CONTROL ASSY REMOTO CONTROL COMPL.	1				AP WITH PT/T SW.
2	701-48320-50	CABLE, REMOTE CONTROL L=15F CABLE CONTROL REMOTO L=15F	2				

 67M0100-8280

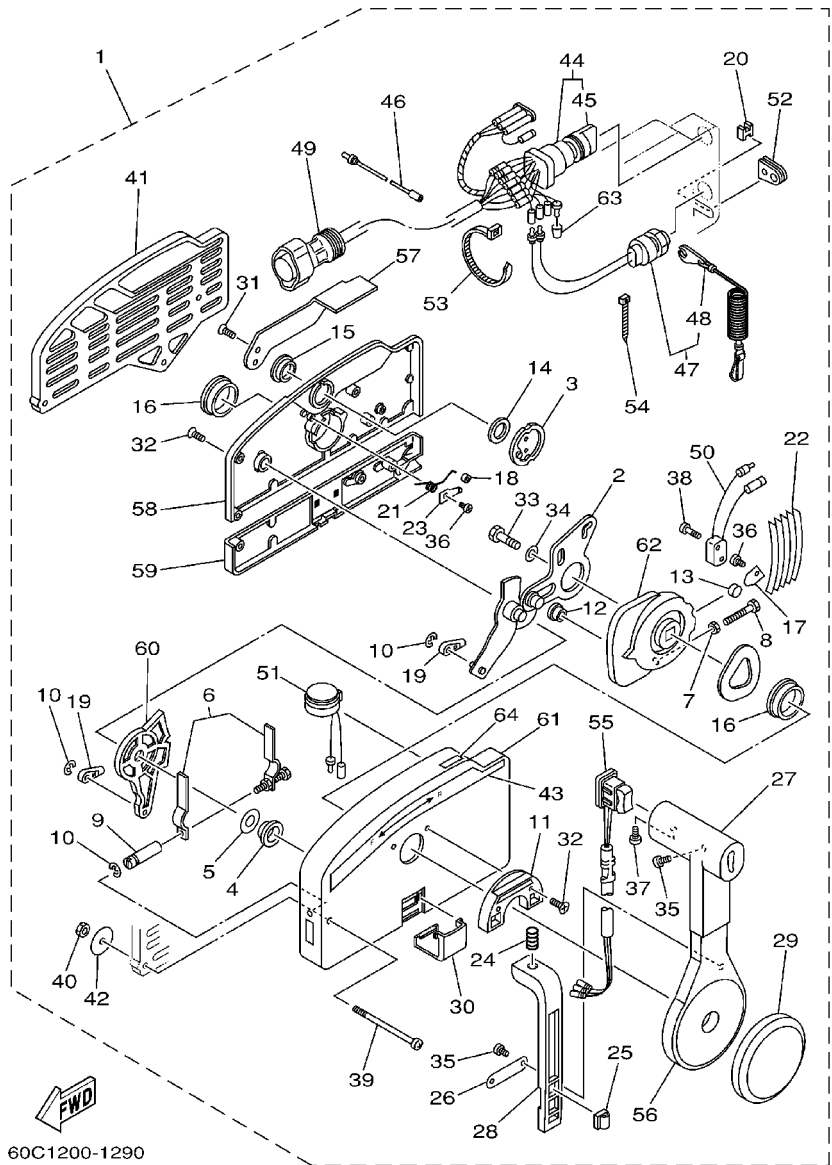
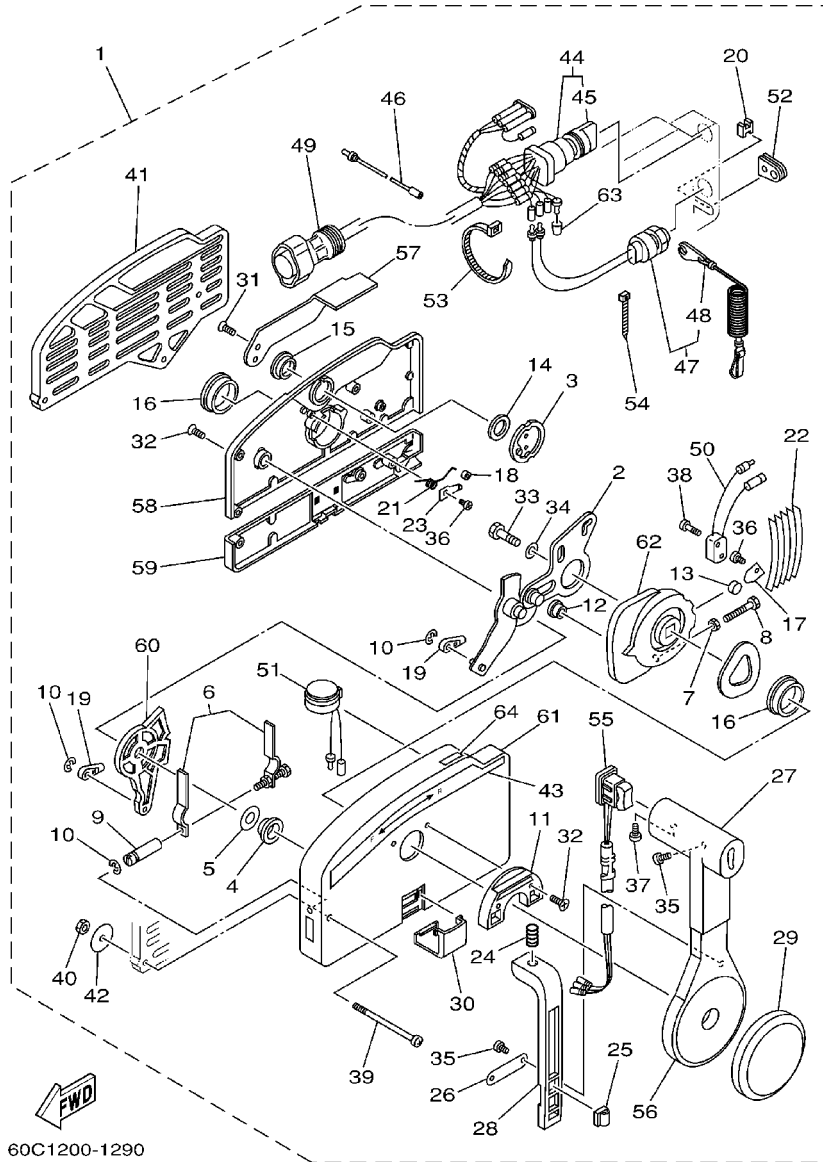


FIG. 28 REMOTE CONTROL ASSY CONTROL REMOTO COMPL.

REF. NO.	PART NO. CODIGO NO.	DESCRIPTION DESCRIPTION	F50D		REMARKS OBSERVACION
1	703-48205-A4	REMOTE CONTROL ASSY REMOTO CONTROL COMPL.	1		AP WITH PT/T SW.
2	703-48261-01	.ARM, THROTTLE .BRAZO ACELERADOR	1		
3	703-48153-00	.SHAFT, FREE ACCEL. .EJE	1		
4	703-48235-00	.BUSHING .BUJE	1		
5	703-48268-00	.SPACER .ESPACIADOR.3	1		
6	703-48264-00	.THROTTLE, FRICTION .FRICCION ACELERADOR	1		
7	95380-05600	.NUT .TUERCA	1		
8	97380-05025	.BOLT .TORNILLO HEXAGONAL	1		
9	703-48265-00	.SHAFT, FRICTION .EJE FRICCION	1		
10	93430-06024	.CIRCLIP .SEGURO	3		
11	703-48245-00	.PLATE, LOCK .PLACA CERRADURA	1		
12	703-48252-00	.ROLLER, CAM .RODILLO LEVA	1		
13	701-48248-00	.ROLLER, FREE ACCEL. .RODILLO ACELERADOR LIBRE	1		
14	703-48198-00	.WASHER, WAVE .RONDANA ONDULADA 3	1		
15	703-48243-00	.BUSHING .BUJE 3	1		
16	703-48236-00	.BUSHING 1 .BUJE	2		
17	703-48189-00	.RETAINER .RETEDEDOR	1		
18	703-48234-00	.ROLLER, DETENT .RODILLO	1		
19	703-48345-01	.CABLE END, REMOTE CONTROL 2 .TERMINAL CABLE DE CONTROL REM	2		
20	703-48358-00	.ANCHOR, CABLE .ABRAZADERA CABLE	1		
21	703-48244-00	.SPRING, FREE ACCEL. .RESORTE ACELERADOR LIBRE	1		
22	703-48238-00	.SPRING, DETENT .RESORTE	5		
23	703-48246-00	.SPACER .ESPACIADOR	1		
24	703-48227-00	.SPRING, NEUTRAL LOCK .RESORTE DE SEGURO	1		
25	703-82594-00	.CLAMP .GRAMPA	1		WITH PT/T SW.
26	703-48226-00	.PLATE, STOPPER .PLACA RETEN	1		
27	703-48222-00	.GRIP, CONTROL LEVER .MANGO DE PALANCA CONTROL	1		SINGLE

FIG. 28 REMOTE CONTROL ASSY

CONTROL REMOTO COMPL.

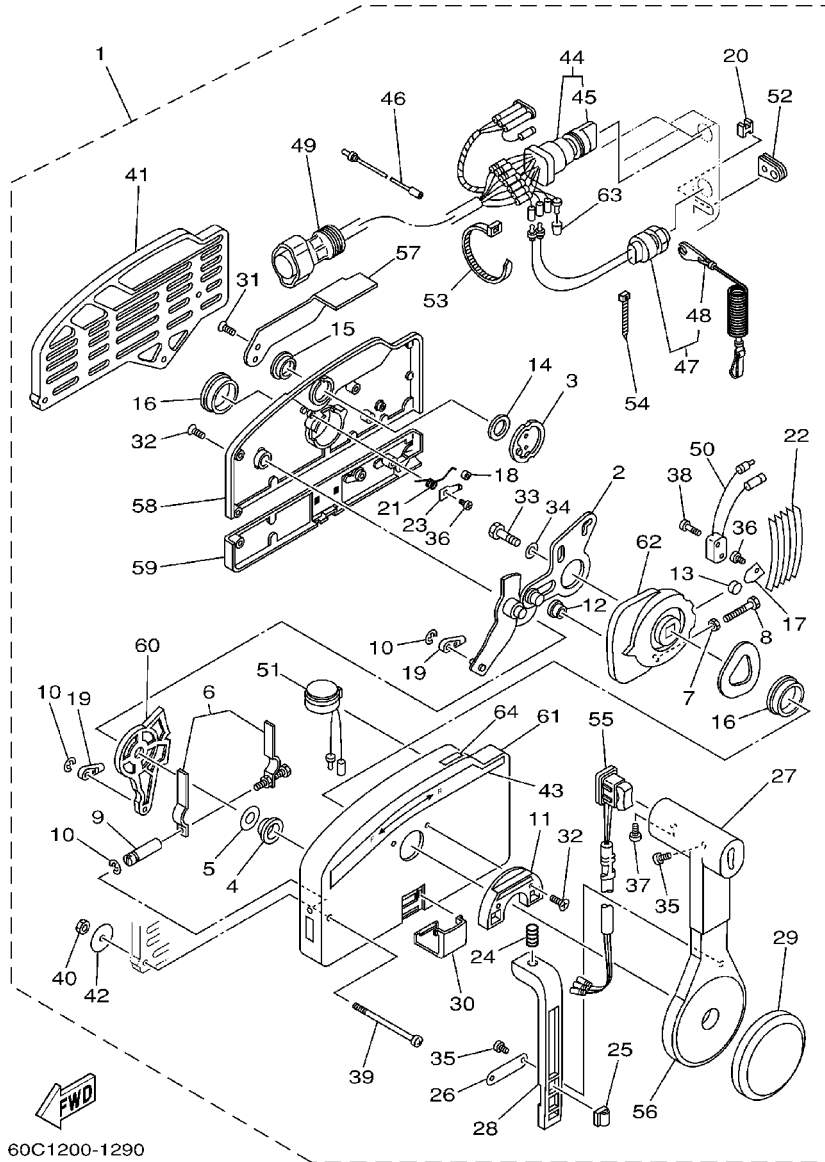


60C1200-1290

REF. NO.	PART NO. CODIGO NO.	DESCRIPTION DESCRIPTION	F50D				REMARKS OBSERVACION
28	703-48223-00	.LOCK, NEUTRAL .GERRADURA NEUTRO	1				
29	703-48225-00	.COVER .CUBIERTA	1				
30	703-48219-00	.COVER, LEAD .CUBIERTA	1				
31	703-48281-00	.SCREW .TORNILLO 1	2				
32	703-48282-00	.SCREW .TORNILLO 2	7				
33	97380-08030	.BOLT .TORNILLO HEXAGONAL	1				
34	92990-08600	.WASHER, PLATE .ARANDELA PLANA	1				
35	98580-04010	.SCREW, PAN HEAD .TORNILLO DE CABEZA CRUZADA	3				
36	98580-04006	.SCREW, PAN HEAD .TORNILLO DE CABEZA CRUZADA	2				
37	98580-05010	.SCREW, PAN HEAD .TORNILLO DE CABEZA CRUZADA	1				
38	98580-03015	.SCREW, PAN HEAD .TORNILLO DE CABEZA CRUZADA	2				
39	703-48291-10	.SCREW (M6) .TORNILLO (M6)	3				
40	95380-06600	.NUT, HEXAGON .TUERCA	3				
41	703-48293-10	.SPACER, REMOTE CONTROL .ESPACIADOR	1				SINGLE
42	701-48287-00	.WASHER .ARANDELA	3				
43	703-48215-00	.GRAPHIC .CALCOMANIA 1	1				
44	703-82510-12	.MAIN SWITCH ASSY .CONJUNTO DE LLAVE IGNICION	1				FOR PRIME START
45	676-82577-00	.CAP, KEY .TAPA	1				
46	703-82531-00	.WIRE, LEAD .CABLE CONDUCTOR	1				
47	688-82575-01	.ENGINE STOP SWITCH ASSY .INTERRUPTOR DE PARADA COMPL	1				
48	682-82556-00	.STOPPER .RETENER	1				
49	688-8258A-20	.EXTENSION, WIRE HARNESS .EXTENSION, ARNES DE CABLES	1				L:5M (10P)
50	703-82540-00	.NEUTRAL SWITCH ASSY .INTERRUPTOR NEUTRAL COMPL	1				
51	703-83383-A0	.BUZZER .ZUMBADOR	1				
52	703-48284-00	.GROMMET .TAPON 1	1				
53	703-82591-00	.BAND .BANDA	1				
54	703-82592-00	.BAND .BANDA	1				

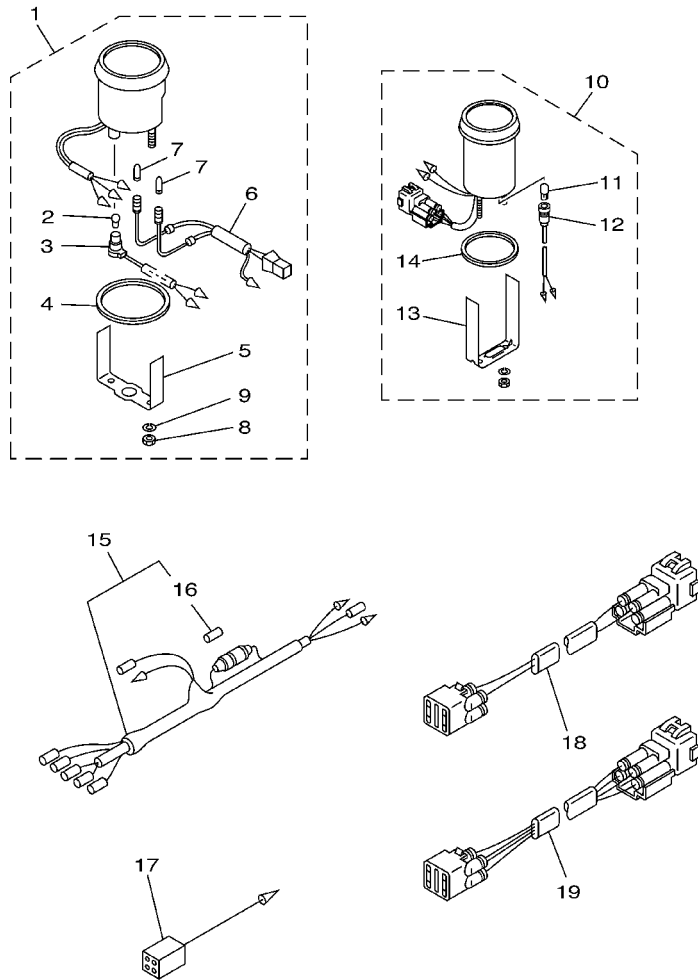
FIG. 28 REMOTE CONTROL ASSY

CONTROL REMOTO COMPL.



60C1200-1290

REF. NO.	PART NO. CODIGO NO.	DESCRIPTION DESCRIPTION	F50D				REMARKS OBSERVACION
55	703-82563-02	.TRIM & TILT SWITCH ASSY .INTERRUPTOR DE INCLINACION	1				WITH PT/T SW.
56	703-48221-00	.LEVER, CONTROL .PALANCA CONTROL	1				
57	703-48152-00	.KNOB, FREE ACCEL. .PERILLA	1				
58	703-48212-00	.BACK PLATE 1 .PLACA TRASERA 1	1				
59	703-48213-00	.BACK PLATE 2 .PLACA TRASERA 2	1				
60	703-48271-00	.ARM, SHIFT .BRAZO CAMBIADOR	1				
61	703-48211-01	.HOUSING,1 .CAJA	1				
62	703-48232-00	.GEAR .ENGRANAJE 1	1				
63	703-82542-00	.CAP .TAPA	1				
64	703-48218-00	.GRAPHIC .CALCAMONIA	1				

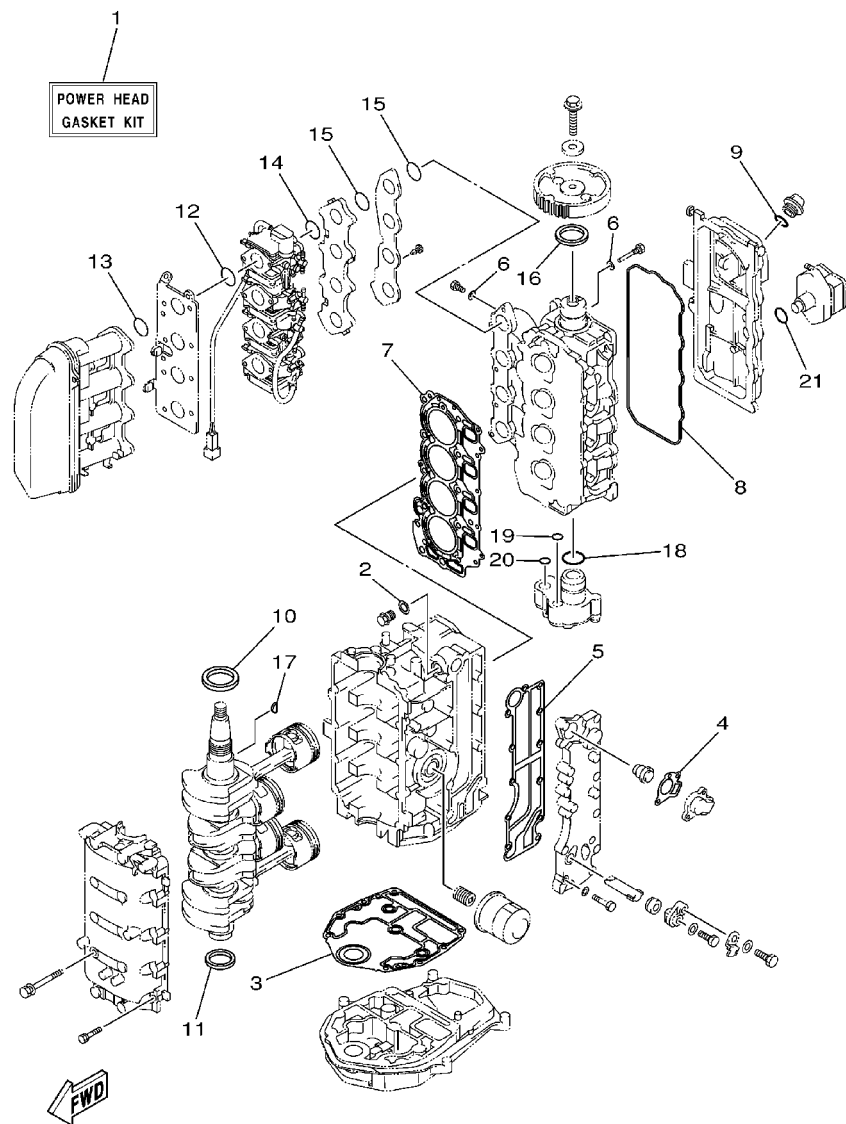


62Y0100-0350

FIG. 29 METER

MEDIDOR

REF. NO.	PART NO. CODIGO NO.	DESCRIPTION DESCRIPTION	F50D				REMARKS OBSERVACION
1	6Y5-83540-20	TACHOMETER ASSY TACOMETRO COMPLETO	1				AP
2	6Y5-83517-00	.BULB (12V-1.7W, T10) .BOMBILLA (12V-1.7W, T10)	1				
3	6Y5-83536-10	.SOCKET, METER ENCASTRE DE MEDIDOR	1				
4	6Y5-83523-00	.DAMPER .AMORTIGUADOR	1				
5	6Y5-83514-00	.PLATE, FITTING .PLACA ACCESORIA	1				
6	6Y5-83509-10	.SOCKET CORD ASSY ENCASTRE DE CABLE COMPLETO	1				
7	6Y5-83518-00	.BULB (12V-1.7W, T6.5) .BOMBILLA (12V-1.7W, T6.5)	2				
8	95380-05600	.NUT .TUERCA	2				
9	92990-05100	.WASHER, SPRING .ARANDELA GROWER	2				
10	6Y5-83670-12	TRIM METER ASSY. MEDIDOR DE INCLINACION	1				AP
11	6Y5-83518-00	.BULB (12V-1.7W, T6.5) .BOMBILLA (12V-1.7W, T6.5)	1				
12	6Y5-83536-00	.SOCKET, METER ENCASTRE DE MEDIDOR	1				
13	6Y5-83544-00	.PLATE, FITTING .PLACA ACCESORIA	1				
14	688-83664-00	.DAMPER .AMORTIGUADOR	1				
15	6Y5-83553-00	WIRE, LEAD CABLE CONDUCTOR	1				AP
16	1E6-82151-00	.FUSE (10A) .FUSIBLE (10A)	1				
17	6Y5-82117-00	WIRE, LEAD (BLACK) CABLE, CONDUCTOR (NEGRO)	1				AP
18	6R3-82521-70	WIRE, LEAD CABLE CONDUCTOR	1				AP 7M
19	6R3-82553-70	EXTENSION, WIRE LEAD CABLE	1				AP 4P,7M



62Y1100-2390

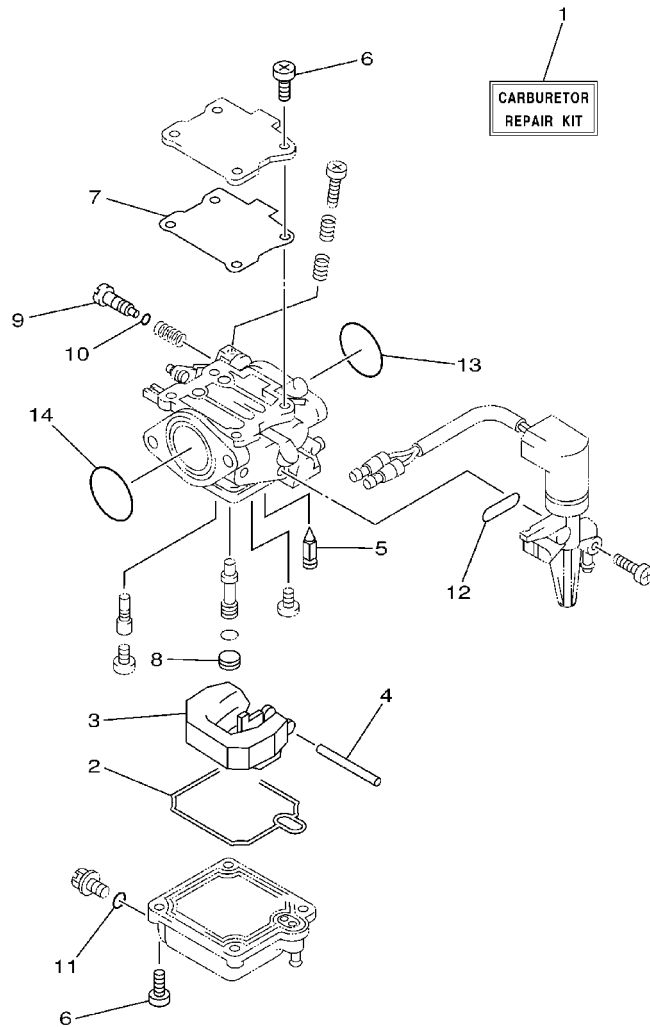
FIG. 30 REPAIR KIT 1

ESTUCHE REPARATION 1

REF. NO.	PART NO. CODIGO NO.	DESCRIPTION DESCRIPTION	F50D				REMARKS OBSERVACION
1	62Y-W0001-10	POWER HEAD GASKET KIT JUEGO DE EMPAQUE DE MOTOR	1				
2	90430-14115	.GASKET .JUNTA	1				
3	67C-11351-00	.GASKET, CYLINDER .JUNTA, DE CILINDRO	1				
4	62Y-12414-00	.GASKET, COVER EMPAQUE	1				
5	62Y-41114-00	.GASKET, EXHAUST OUTER COVER EMPAQUE	1				
6	90430-06014	.GASKET .JUNTA	5				
7	62Y-11181-00	.GASKET, CYLINDER HEAD 1 .JUNTA, DE CULATA 1	1				
8	62Y-11356-00	.SEAL, CYLINDER 2 .RETEN ACEITE CILINDRO 2	1				
9	93210-24M79	.O-RING .JUNTA TORICA	1				
10	93102-43M42	.OIL SEAL .RETEN DE ACEITE	1				
11	93101-35002	.OIL SEAL .RETEN DE ACEITE	1				
12	93210-35M86	.O-RING .JUNTA TORICA	4				
13	93210-38MH3	.O-RING .JUNTA TORICA	4				
14	93210-30MH4	.O-RING .JUNTA TORICA	4				
15	93210-35M86	.O-RING .JUNTA TORICA	8				
16	93102-37M40	.OIL SEAL .RETEN DE ACEITE	1				
17	90280-04M06	.KEY, WOODRUFF .CUNA WOODRUFF	1				
18	93210-33MH2	.O-RING .JUNTA TORICA	1				
19	93210-12MG9	.O-RING .JUNTA TORICA	1				
20	93210-14515	.O-RING .JUNTA TORICA	1				
21	93210-24M79	.O-RING .JUNTA TORICA	1				

FIG. 31 REPAIR KIT 2

ESTUCHE REPARATION 2

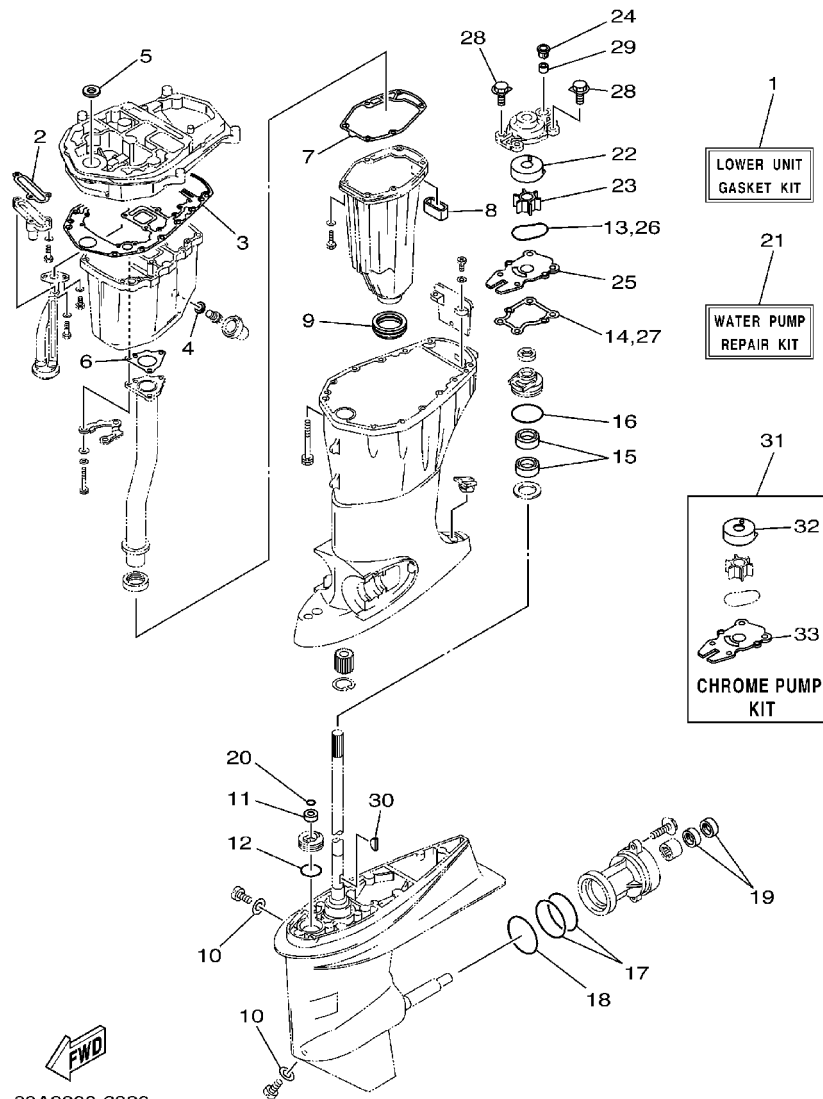


REF. NO.	PART NO. CODIGO NO.	DESCRIPTION DESCRIPTION	F50D				REMARKS OBSERVACION
1	62Y-W0093-10	CARBURETOR REPAIR KIT KIT REPARACION CARBURADOR	1				
2	62Y-14384-30	.GASKET, FLOAT CHAMBER .EMPAQUE DE CAMARA DE BOIA	1				
3	6L2-14385-00	.FLOAT BOIA	1				
4	6E5-14386-01	.PIN, FLOAT .PASADOR DE BOIA	1				
5	62Y-14392-00	.VALVE, NEEDLE .VALVULA DE AGUJA	1				
6	62Y-14321-00	.SCREW, THROTTLE .TORNILLO DE OBTURADOR	8				
7	62Y-14399-30	.GASKET .EMPAQUE	1				
8	62Y-14355-30	.PLUG .TAPON	1				
9	62Y-14323-30	.SCREW, AIR ADJUSTING .TORNILLO DE AJUSTE DE AIRE	1				
10	2T4-14397-00	.O-RING .ANILLO O	1				
11	652-14397-00	.O-RING .ANILLO O	1				
12	62Y-14398-30	.GASKET .EMPAQUE	1				
13	93210-30MH4	.O-RING .JUNTA TORICA	4				
14	93210-35M86	.O-RING .JUNTA TORICA	4				


62Y0100-1390

FIG. 32 REPAIR KIT 3

ESTUCHE REPARATION 3



60A2200-2320

REF. NO.	PART NO. CODIGO NO.	DESCRIPTION DESCRIPTION	F50D				REMARKS OBSERVACION
1	60A-W0001-21	LOWER UNIT GASKET KIT JUEGO DE JUNTA UNIDAD INFERIOR	1				
2	62Y-13475-00	.GASKET .EMPAQUE	1				
3	69W-15312-00	.GASKET, OIL PAN EMPAQ BANDEJA DE ACEITE	1				
4	90430-14M09	.GASKET .JUNTA	1				
5	93103-18011	.OIL SEAL .RETEN DE ACEITE	1				
6	64J-41133-10	.GASKET, EXHAUST MANIFOLD 1 .EMPAQUE ESCAPE MULTIPLE	1				
7	62Y-41134-01	.GASKET, EXHAUST MANIFOLD .EMPAQUE	1				
8	62Y-45127-00	.SEAL .SELLO DE GOMA	1				
9	663-45123-00	.GASKET, MUFFLER .EMPAQUE SILENCIADOR	1				
10	90430-08020	.GASKET .JUNTA	2				
11	93106-09014	.OIL SEAL .RETEN DE ACEITE	1				
12	93210-33MG4	.O-RING .JUNTA TORICA	1				
13	93210-59MG7	.O-RING .JUNTA TORICA	1				
14	63D-44316-00	.GASKET, WATER PUMP .EMPAQUE	1				
15	93101-25M57	.OIL SEAL .RETEN DE ACEITE	2				
16	93210-48MG8	.O-RING .JUNTA TORICA	1				
17	93210-74MG5	.O-RING .JUNTA TORICA	2				
18	93210-69MG6	.O-RING .JUNTA TORICA	1				
19	93101-22M00	.OIL SEAL .RETEN DE ACEITE	2				
20	93210-07003	.O-RING .JUNTA TORICA	1				
21	63D-W0078-01	WATER PUMP REPAIR KIT ESTUCHE REPARACION BOMBA AGUA	1				
22	63D-44322-00	.INSERT, CARTRIDGE .CARTUCHO	1				
23	6H3-44352-00	.IMPELLER .IMPULSOR	1				
24	63D-44312-00	.COVER, WATER PUMP HOUSING .CUBIERTA CAJA BOMBA DE AGUA	1				
25	63D-44323-00	.OUTER PLATE, CARTRIDGE .PLACA EXTERIOR DEL CARTUCHO	1				
26	93210-59MG7	.O-RING .JUNTA TORICA	1				
27	63D-44316-00	.GASKET, WATER PUMP .EMPAQUE	1				

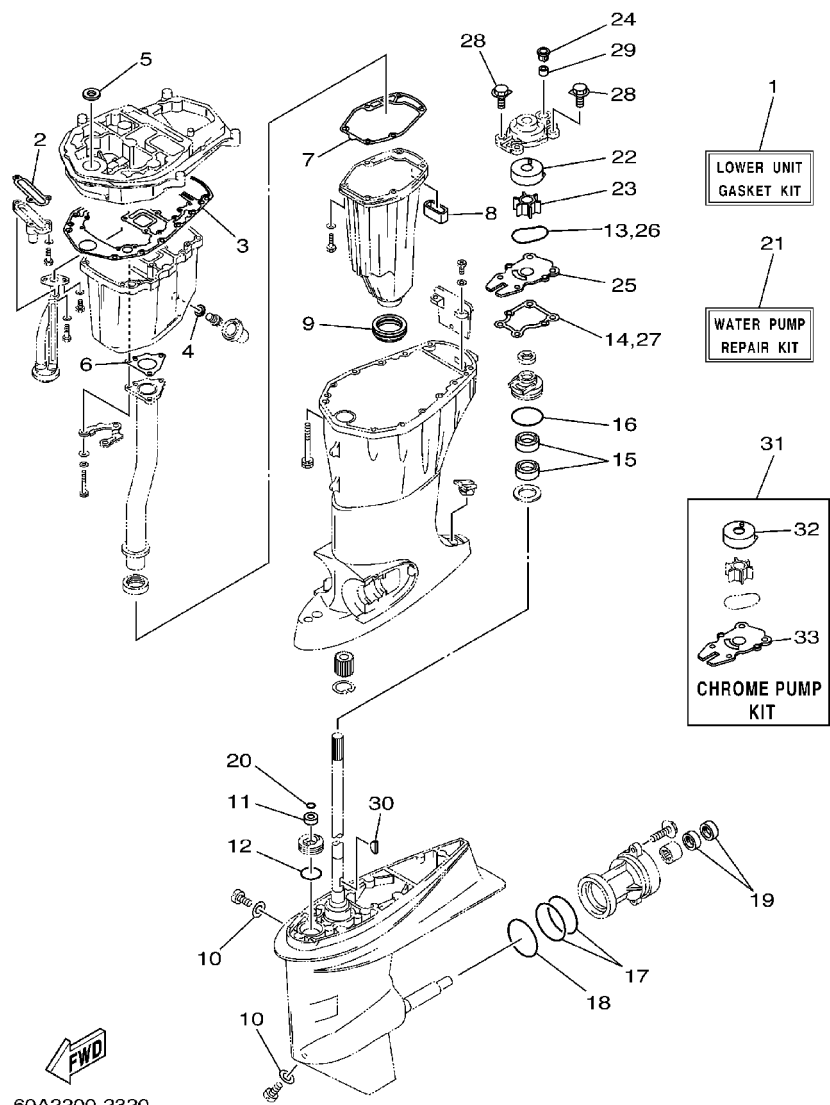


FIG. 32 REPAIR KIT 3

ESTUCHE REPARATION 3

REF. NO.	PART NO. CODIGO NO.	DESCRIPTION DESCRIPTION	F50D			REMARKS OBSERVACION
28	90119-08M15	.BOLT, WITH WASHER .TORNILLO CON ARANDELA	4			
29	663-44366-00	.DAMPER, WATER SEAL .GOMA DEL SELLO DE AGUA	1			
30	90280-03024	.KEY, WOODRUFF .CUNA WOODRUFF	1			
31	63D-W0078-0A	CHROME PUMP KIT JUEGO DE BOMBA CROMO	1			
32	63D-44322-40	.INSERT, CARTRIDGE .CARTUCHO	1			
33	63D-44323-40	.OUTER PLATE, CARTRIDGE .PLACA EXTERIOR DEL CARTUCHO	1			
<hr/>						
<hr/>						
<hr/>						
<hr/>						
<hr/>						
<hr/>						
<hr/>						
<hr/>						
<hr/>						
<hr/>						

NUMERICAL INDEX
INDICE NUMERICO

PART NO. CODIGO NO.	REF. NO.	PART NO. CODIGO NO.	REF. NO.	PART NO. CODIGO NO.	REF. NO.	PART NO. CODIGO NO.	REF. NO.	PART NO. CODIGO NO.	REF. NO.	PART NO. CODIGO NO.	REF. NO.
60A-W0001-21	32 - 1	62Y-11650-10	3 - 5	62Y-1432A-01	7 - 36	62Y-14567-30	7 - 30	62Y-24410-03	9 - 18	62Y-42682-10	1 - 14
62Y-W0001-10	30 - 1	62Y-11654-00	3 - 6	62Y-14321-00	7 - 13	62Y-14567-40	7 - 30	62Y-24411-02	9 - 21	62Y-42711-14-4D	15 - 1
62Y-W0070-10	1 - 12	62Y-11656-30	3 - 7		31 - 6	64J-14585-00	6 - 15	62Y-24413-01	9 - 19	62Y-42715-01	16 - 8
63D-W0078-0A	32 - 31	62Y-11656-40	3 - 7	62Y-14321-10	7 - 22	64J-14711-00-5B	21 - 9	62Y-24421-01	9 - 20	62Y-42716-00	15 - 7
63D-W0078-01	32 - 21	62Y-11656-50	3 - 7	62Y-14323-30	7 - 20	62Y-14901-40	7 - 1	62Y-24422-00	9 - 32	65W-42717-00	15 - 2
64J-W009A-01-1S	4 - 1	62Y-11656-60	3 - 7		31 - 9	62Y-14902-40	7 - 2	62Y-24423-00	9 - 22	6E5-42724-00	15 - 8
60A-W009B-00-1S	2 - 1	64J-12111-00	5 - 1	6A0-14325-00	9 - 27	62Y-14903-40	7 - 3	62Y-24444-01	9 - 25	62Y-42725-00	15 - 17
62Y-W0093-10	31 - 1	51Y-12114-00	5 - 4	650-14327-01	6 - 2	62Y-14904-41	7 - 4	62Y-24452-00	9 - 29	688-42726-10	15 - 32
63D-W4434-00	23 - 30	62Y-12116-00	5 - 3	62Y-14334-00	7 - 21	64J-15100-00-1S	2 - 2	62Y-24454-00	9 - 24	6H3-42727-00	15 - 30
64J-11111-00-1S	4 - 2	30X-12117-00	5 - 5	62Y-14341-30	7 - 16	62Y-1531A-00	6 - 45	68V-24469-00	9 - 10	62Y-42727-00	15 - 18
68T-11112-00	21 - 25	30X-12118-00	5 - 6	64J-14342-20	7 - 18	64J-15311-01-5B	22 - 9	62Y-24471-00	9 - 26	62Y-42738-01-5B	15 - 16
62Y-11119-00	4 - 28	51Y-12119-00	5 - 7	62Y-14343-57	7 - 17	69W-15312-00	22 - 10	68V-24521-00	9 - 8	62Y-42741-00-4D	15 - 21
62Y-11133-30	4 - 3	64J-12121-00	5 - 2	62Y-14343-58	7 - 17		32 - 3	64J-24560-00	9 - 6	62Y-42748-00	15 - 37
62Y-11168-00	4 - 23	62Y-12138-60	4 - 33	62Y-14343-62	7 - 17	62Y-15316-00	22 - 12	68V-24563-00	9 - 7	69M-42758-00	13 - 3
62Y-11181-00	4 - 17	62Y-12146-00	5 - 8	62Y-14343-63	7 - 17	62Y-1532B-00	6 - 26	62Y-24566-00	9 - 11	62Y-42815-00	15 - 10
	30 - 7	62Y-12151-00	5 - 9	64J-14349-11	6 - 18	62Y-15362-00	22 - 17	6YJ-24610-01	25 - 2	62Y-42828-00-4D	15 - 9
62Y-11191-01-1S	4 - 21	62Y-12158-00	5 - 11	64J-14349-21	6 - 19	6G8-15363-00	4 - 31	6G8-26363-00	16 - 33	62Y-43111-00-4D	17 - 1
62Y-11325-00	2 - 26	64J-12159-00	5 - 10	64J-14349-31	6 - 20	62Y-15373-10	6 - 46	62Y-43100-00	9 - 37	62Y-43112-00-4D	17 - 2
	4 - 5	62Y-12171-00	8 - 2	64J-14349-40	6 - 29	1UF-22434-00	19 - 17	6A1-28176-00	15 - 40	6E5-43126-02	17 - 32
	21 - 26	62Y-12216-00	5 - 14	64J-14349-50	6 - 30	62Y-22434-00	19 - 50	62Y-41113-20-1S	2 - 22	63D-43131-01	17 - 11
66M-11327-00-94	2 - 28	62Y-12231-00	5 - 15	62Y-14355-30	7 - 19	62Y-22471-00	19 - 11	62Y-41114-00	2 - 24	6G5-43144-00	17 - 25
	4 - 7	64J-12238-00	5 - 12		31 - 8	62Y-24135-00	6 - 33		30 - 5	6E5-43145-01	26 - 9
	21 - 28	64J-12279-00	5 - 13	62Y-14369-30	6 - 1	6YJ-24167-00	25 - 7	64J-41116-00	21 - 5	6G5-43145-01	17 - 15
66M-11328-00	2 - 27	6G8-12411-02	2 - 11	62Y-14380-10	7 - 31	6YJ-24201-10	25 - 1	64J-41131-10	21 - 3	6G5-43148-00	17 - 21
	4 - 6	6H3-12413-00-1S	2 - 12	62Y-14380-20	7 - 31	6Y1-24260-12	25 - 3	64J-41133-10	21 - 4	688-43160-01	17 - 26
	21 - 27	62Y-12414-00	2 - 13	62Y-14381-30	7 - 5	6Y1-24268-00	25 - 6		32 - 6	688-43165-00	17 - 27
67C-11351-00	2 - 10		30 - 4	62Y-14381-40	7 - 6	6G1-24304-02	9 - 1	62Y-41134-01	21 - 12	6H5-43181-03	17 - 16
	30 - 3	62Y-12481-10	2 - 23	62Y-14381-50	7 - 7	6G1-24305-03	25 - 13		32 - 7	6H5-43185-03	17 - 17
62Y-11356-00	4 - 26	66M-12535-00	2 - 29	62Y-14381-61	7 - 8	6Y1-24305-04	25 - 15	64J-41137-01-94	21 - 1	63D-43311-13-4D	17 - 9
	30 - 8		4 - 8	62Y-14383-30	7 - 24	61J-24306-02	25 - 8	6F5-41237-00	16 - 20	69W-4380F-00	20 - 9
69W-11411-00	3 - 3		21 - 29	62Y-14384-30	7 - 9	62Y-24311-30	7 - 28	662-41237-01	16 - 22	62X-4380H-00	20 - 14
62Y-11416-30	3 - 4	62Y-13131-01	9 - 23		31 - 2	62Y-24312-00	6 - 7	62Y-41241-00	16 - 21	62Y-4380K-01	19 - 2
62Y-11416-40	3 - 4	69W-13300-00	8 - 17	6L2-14385-00	7 - 10	62Y-24313-30	6 - 8	62Y-41262-30	6 - 13	62Y-43800-01-4D	19 - 1
62Y-11416-50	3 - 4	62Y-13411-00	22 - 5		31 - 3	62Y-24313-40	6 - 9	62Y-42154-00	16 - 24	62X-43804-01	20 - 4
62Y-11416-60	3 - 4	67F-13434-02	1 - 17	6E5-14386-01	7 - 11	62Y-24313-50	6 - 10	62Y-42159-01	16 - 36	62Y-43805-00	20 - 3
62Y-11536-10	8 - 13	62Y-13437-61	10 - 20		31 - 4	62Y-24313-61	6 - 11	62Y-42171-00	16 - 25	62X-43807-00	20 - 8
62Y-11537-10	8 - 3	5GH-13440-00	2 - 20	62Y-14392-00	7 - 12	62Y-24313-70	6 - 12	62Y-42335-20	16 - 30	69W-4381B-00	19 - 13
6H4-11545-00	10 - 17	62Y-13444-50	15 - 39		31 - 5	62Y-24313-90	7 - 35	63D-42510-11-4D	18 - 1	62X-43810-01	19 - 3
62Y-11557-00	8 - 14	62Y-13448-00	6 - 43	2T4-14397-00	7 - 23	69W-24313-80	6 - 14	624-42542-00	12 - 34	6H1-43816-00	19 - 54
62Y-11575-00	22 - 1	62Y-13475-00	22 - 2		31 - 10	62Y-24314-00	6 - 31	62Y-42610-30-4D	1 - 1	62Y-43816-00	19 - 41
62Y-11590-10	8 - 8		32 - 2	652-14397-00	7 - 25	6Y1-24329-00	25 - 5	62Y-42613-00-4D	1 - 2	62Y-43818-00	17 - 36
64J-11603-00	3 - 9	62Y-13586-30	6 - 3		31 - 11	61N-24329-00	15 - 29	62Y-42615-10	1 - 15	62Y-4382A-00	19 - 39
64J-11604-00	3 - 9	62Y-14157-30	7 - 14	62Y-14398-30	7 - 29	650-24351-51	25 - 12	61N-42628-00	1 - 16	62Y-4382L-00	19 - 42
64J-11605-00	3 - 9	62Y-14212-00	7 - 26		31 - 12	61J-24360-00	25 - 10	62Y-42651-00	1 - 8	6H1-43829-00	19 - 61
62Y-11631-10-96	3 - 8	62Y-14227-00	7 - 34	62Y-14399-30	7 - 15	62Y-24374-01	9 - 31	62Y-42652-00	1 - 4	62Y-43830-01	19 - 21
62Y-11633-00	3 - 10	62Y-14243-00	7 - 32		31 - 7	62Y-24378-00	6 - 23	62Y-42677-30	1 - 10	6H1-43831-10	19 - 19
62Y-11635-10	3 - 8	62Y-14271-00	6 - 34	62Y-14440-00	6 - 4		6 - 32	62Y-42678-30	1 - 11	6H1-4384F-10	19 - 33
62Y-11636-10	3 - 8	62Y-14291-30	6 - 25	62Y-14485-00	4 - 22	688-24378-00	2 - 17	62Y-42681-10	1 - 13	69A-4384F-00	19 - 24

NUMERICAL INDEX
INDICE NUMERICO

PART NO. CODIGO NO.	REF. NO.	PART NO. CODIGO NO.	REF. NO.	PART NO. CODIGO NO.	REF. NO.	PART NO. CODIGO NO.	REF. NO.	PART NO. CODIGO NO.	REF. NO.	PART NO. CODIGO NO.	REF. NO.
6H1-4384G-11	19-31	63D-44312-00	32-24	6E5-45378-00	23-17	663-45974-60-98	24-25	703-48345-01	28-19	663-82317-01	10-15
69W-4384G-00	19-46	63D-44316-00	23-27	62Y-45501-30	23-36	663-45976-00-98	24-25	703-48358-00	28-20	6G8-82370-30	11-8
62X-4384H-00	19-16		32-14	6H4-45536-00	23-4	663-45978-00-98	24-25	63D-48511-00-4D	18-42	62Y-82377-00	15-38
69J-4384M-00	19-23		32-27	6H4-45551-01	23-37	663-45987-02	24-20	62Y-48538-00	16-35	64J-82504-00	11-12
69J-43841-00	19-22	63D-44322-00	32-22	6H4-45560-01	23-39	66T-45997-00	24-21	63D-61350-00	26-1	62Y-82509-00	6-27
6H1-43844-10	19-35	63D-44322-40	23-22	663-45567-01-10	23-41	64J-46132-10	21-34	63D-61351-00	26-2	703-82510-12	28-44
62Y-43845-00	19-59		32-32	663-45567-01-12	23-41	62Y-46241-00	8-7	64J-77123-00	21-15	6R3-82521-70	29-18
69J-43853-00	19-29	63D-44323-00	32-25	663-45567-01-15	23-41	703-48152-00	28-57	62Y-81337-11	10-13	703-82531-00	28-46
62Y-43854-00	19-47	63D-44323-40	23-26	663-45567-01-18	23-41	703-48153-00	28-3	6K7-81338-01	10-14	703-82540-00	28-50
62Y-43855-00	19-32		32-33	663-45567-01-30	23-41	703-48189-00	28-17	69W-81800-00	14-1	703-82542-00	28-63
6H1-43856-10	19-34	63D-44341-00	23-31	663-45567-01-40	23-41	703-48198-00	28-14	6N7-81801-00	14-8	62Y-82544-00	6-28
65W-4386A-00	19-28	6H3-44352-00	23-23	663-45567-01-50	23-41	703-48205-A4	27-1	69W-81807-00	14-11	6R3-82553-70	29-19
62X-4386K-00	20-10		32-23	62Y-45571-00	23-42		28-1	61A-81809-00	14-3	64J-82553-00	13-5
62X-43861-00	19-4	62Y-44361-00	24-1	63D-45577-00-10	23-46	703-48211-01	28-61	6N7-81810-00	14-5	682-82556-00	28-48
62X-43862-00	19-5	663-44366-00	24-18	63D-45577-00-12	23-46	703-48212-00	28-58	6N7-81813-00	14-9	62Y-82560-01	11-13
62X-43865-00	19-62		32-29	63D-45577-00-15	23-46	703-48213-00	28-59	6E5-8182A-10	14-17	63D-82563-10	12-37
62Y-4387G-00	19-52	663-44367-00	24-2	63D-45577-00-18	23-46	703-48215-00	28-43	6E5-8182E-10	14-15	703-82563-02	28-55
62Y-4387J-00	19-49	6H3-44391-01	15-3	63D-45577-00-30	23-46	703-48218-00	28-64	6E5-8182F-10	14-16	6E3-8257H-00	15-41
62X-43871-00	19-7	67C-44514-00-4D	18-26	63D-45577-00-40	23-46	703-48219-00	28-30	6K7-8182G-10	14-6	688-82575-01	28-47
62Y-43871-00	19-51	66T-44526-30	18-28	63D-45577-00-50	23-46	703-48221-00	28-56	6E5-8182K-10	14-18	676-82577-00	28-45
6H1-43875-00	19-58	663-44551-02-4D	18-9	663-45587-01-10	23-5	703-48222-00	28-27	6N7-81820-00	14-10	688-8258A-20	28-49
62X-43875-00	19-18	663-44552-01-94	18-18	663-45587-01-12	23-5	703-48223-00	28-28	62Y-81822-01-94	11-9	6E5-82587-00	12-38
67F-43875-00	19-12	62Y-44553-01-4D	18-23	663-45587-01-15	23-5	703-48225-00	28-29	61A-81824-00	14-4	6E9-82588-00	11-14
62X-4388A-00	19-10	62Y-44555-00-94	18-11	663-45587-01-18	23-5	703-48226-00	28-26	6K7-81826-10	14-14	64J-82590-30	12-19
62Y-43880-01	20-2	663-44575-00	18-16	663-45587-01-30	23-5	703-48227-00	28-24	6N7-81830-00	14-13	703-82591-00	28-53
62Y-43881-00	20-13	62Y-45111-21-4D	21-16	663-45587-01-40	23-5	703-48232-00	28-62	6N7-81840-00	14-7	703-82592-00	28-54
6H1-43883-00	19-25	663-45123-00	21-14	663-45587-01-50	23-5	703-48234-00	28-18	6N7-81850-10	14-2	688-82594-00	12-21
62X-43888-00	20-1		32-9	63D-45611-00	23-55	703-48235-00	28-4	6N7-81857-00	14-12	703-82594-00	28-25
69J-4389J-00	19-30	62Y-45127-00	21-13	62Y-45631-00	23-57	703-48236-00	28-16	6G1-81941-10	12-5	703-83383-A0	28-51
	19-55		32-8	67C-45633-00	23-62	703-48238-00	28-22	6L2-81945-00	12-7	6Y5-83504-20	13-1
62Y-43891-00	20-6	62Y-45151-00	21-19	663-45634-00	23-58	703-48243-00	28-15	62Y-81948-00	12-32	6Y5-83509-10	29-6
62Y-43892-00	20-5	6H3-45155-00	21-22	63D-45635-00	23-60	703-48244-00	28-21	6H2-81949-01	12-27	6Y5-83514-00	29-5
69J-43893-00	19-53	63D-45214-00	23-10	663-45930-00-98	24-25	703-48245-00	28-11	61A-81949-00	12-28	6Y5-83517-00	29-2
69J-43894-00	19-48	63D-45215-00	23-11	663-45941-01-EL	24-25	703-48246-00	28-23	6H1-81950-00	12-23	6Y5-83518-00	29-7
62X-43899-00	19-14	65W-45251-00	17-5	6H5-45943-00-EL	24-25	701-48248-00	28-13	6G1-81952-00	12-6		29-11
69W-43899-01	19-63		17-7	6H5-45945-00-EL	24-25	703-48252-00	28-12	64J-81960-10	12-10	64J-83519-00	13-4
62Y-44112-00	16-10		17-30	69W-45945-00-EL	24-25	703-48261-01	28-2	62Y-82105-00	12-16	6Y5-83523-00	29-4
62Y-44116-01	16-31	67C-45251-00	24-15	69W-45947-00-EL	24-25	703-48264-00	28-6	6E5-82117-01	12-17	6Y5-83536-00	29-12
62Y-44117-01-4D	16-2	62Y-45300-30-4D	23-1	663-45949-01-EL	24-25	703-48265-00	28-9	6Y5-82117-00	29-17	6Y5-83536-10	29-3
62Y-44118-00	16-9	62Y-45301-00-4D	23-2	6H5-45952-00-EL	24-25	703-48268-00	28-5	682-82119-01	12-29	6Y5-83540-20	29-1
62Y-44120-01	16-7	69W-45318-00	21-23	663-45952-02-EL	24-25	703-48271-00	28-60	703-82119-00	18-37	6Y5-83544-00	29-13
69W-44121-00	16-1	63D-45321-00	23-14	663-45956-01-EL	24-25	703-48281-00	28-31	697-82127-01	18-25	6Y5-83553-00	29-15
688-44122-00	16-18	688-45341-10	23-9	6H5-45958-00-EL	24-25	703-48282-00	28-32	63D-82148-00	17-3	6K3-83557-00	13-9
62Y-44135-00	16-27	63D-45344-00	23-34	663-45958-01-EL	24-25	703-48284-00	28-52	1E6-82151-00	29-16	6E5-83558-00	18-35
63D-44144-00	23-52	63D-45361-02-4D	23-43	663-45970-60-98	24-25	701-48287-00	28-42	663-82151-00	12-20	6E5-83558-10	23-19
62Y-44151-00	23-51	67C-45371-00	24-12	697-45970-00-98	24-25	703-48291-10	28-39	6G5-82152-00	12-18	62Y-83614-00	12-39
63D-44311-00	23-21	63D-45375-00	24-6	663-45972-60-98	24-25	703-48293-10	28-41	62Y-82181-01	20-7	6A1-83625-41	10-21
63D-44312-00	24-19	663-45376-00-94	24-5	663-45974-02-98	24-25	701-48320-50	27-2	6A0-82317-00	12-33	6A1-83625-51	10-22

NUMERICAL INDEX
INDICE NUMERICO

PART NO. CODIGO NO.	REF. NO.	PART NO. CODIGO NO.	REF. NO.	PART NO. CODIGO NO.	REF. NO.	PART NO. CODIGO NO.	REF. NO.	PART NO. CODIGO NO.	REF. NO.	PART NO. CODIGO NO.	REF. NO.
62Y-83626-00	11 - 22	90179-06M24	1 - 3	90386-30M60	18 - 6	90465-13M24	12 - 31	92995-05600	1 - 6	93102-43M42	30 - 10
688-83664-00	29 - 14	90179-06066	18 - 22	90386-30M77	18 - 4		13 - 10		2 - 31	93103-18011	21 - 2
6Y5-83670-12	29 - 10	90185-08045	18 - 29	90386-30M78	18 - 3	90465-13M36	6 - 22		4 - 10		32 - 5
63D-83672-01	18 - 36	90185-09M01	26 - 4	90386-90M90	16 - 14	90465-13M97	10 - 9		21 - 31	93106-09014	23 - 15
64J-85510-00	10 - 2	90185-10051	18 - 8	90387-06M15	6 - 37	90467-08M18	2 - 15	92995-06100	11 - 6		32 - 11
64J-85516-00	13 - 2	90185-22M11	17 - 14	90387-06M43	15 - 28	90467-09M17	9 - 5		12 - 3	93210-07003	23 - 53
64J-85540-11	12 - 1	90201-06M05	12 - 13	90387-06M45	16 - 28		9 - 16	92995-06600	2 - 33		32 - 20
69W-85550-10	10 - 1	90201-06015	21 - 8	90387-06M70	6 - 6	90467-10M04	9 - 17		4 - 12	93210-08287	25 - 14
62Y-85561-00-94	10 - 3	90201-08M04	17 - 38	90387-06060	15 - 5		9 - 36		4 - 30		25 - 16
62Y-85570-00	11 - 1	90201-083J8	20 - 16	90387-10M42	26 - 6	90468-18008	16 - 17		6 - 39	93210-09165	19 - 60
62Y-85580-00	10 - 5	90201-10M06	8 - 5	90387-18002	17 - 39		16 - 34		6 - 41	93210-12MG9	8 - 19
62Y-85599-00	11 - 17	90201-10M20	16 - 15	90387-18003	17 - 40	90480-09M12	15 - 4		6 - 48		30 - 19
90101-06020	17 - 6		26 - 3	90389-22M01	24 - 22	90480-12072	10 - 16		9 - 3	93210-14515	8 - 20
	17 - 8	90201-10M63	26 - 8	90401-20M00	2 - 21	90480-13M24	15 - 27		9 - 35		30 - 20
	17 - 31	90201-12M16	12 - 35	90430-06014	4 - 14	90480-25161	11 - 4		11 - 7	93210-16275	26 - 10
	18 - 27		18 - 12		4 - 16	90501-12082	16 - 12		11 - 16	93210-18397	19 - 57
90101-08M15	26 - 7	90201-12426	17 - 43		30 - 6	90501-14M08	18 - 21		12 - 4	93210-24M79	4 - 32
90101-09M01	17 - 41	90201-13M19	18 - 14	90430-08020	23 - 8	90501-18001	23 - 59		12 - 9		9 - 33
90105-08M61	23 - 44	90201-21M18	10 - 19		32 - 10	90502-16M02	17 - 29		12 - 12		30 - 9
90109-06M30	16 - 32	90201-22M03	17 - 13	90430-12072	24 - 4	90506-14M24	17 - 23		12 - 15		30 - 21
90109-06M64	8 - 12	90201-22429	23 - 56	90430-14M09	22 - 14	90508-20018	8 - 9		12 - 25	93210-29M94	18 - 5
90109-06M65	4 - 15	90201-27M00	23 - 35		32 - 4	91318-05008	19 - 44		13 - 7	93210-29375	19 - 6
90109-06M80	15 - 26	90201-30M00	18 - 2	90430-14115	2 - 9	91318-05020	19 - 43		15 - 20		19 - 20
90109-08M63	5 - 16	90202-07M07	16 - 19		30 - 2	91318-06040	19 - 56		16 - 4	93210-30MH4	6 - 16
90109-12261	18 - 15	90202-12060	24 - 3	90445-07MF1	18 - 34	91490-16010	15 - 12		16 - 6		30 - 14
90116-08M14	11 - 19	90202-21100	18 - 13	90445-07M31	23 - 18		15 - 15		21 - 7		31 - 13
90116-10175	18 - 7	90240-05M19	15 - 13	90445-09068	2 - 16		16 - 26		21 - 11	93210-32738	9 - 9
90119-06MA3	4 - 20	90249-05M30	15 - 11	90445-09095	2 - 18	91490-20015	16 - 16		22 - 16	93210-33MG4	23 - 16
90119-06MA5	2 - 25	90249-06M19	17 - 22	90445-09105	2 - 14	91490-30025	24 - 24	92995-08100	18 - 20		32 - 12
90119-06M08	15 - 6	90249-07M29	8 - 10	90445-10M48	9 - 15	91690-30012	17 - 28		18 - 31	93210-33MH2	8 - 18
90119-06025	8 - 21	90250-06023	23 - 61	90445-10020	9 - 4	91690-30020	17 - 20		24 - 14		30 - 18
90119-08M01	2 - 4	90266-06M02	1 - 9	90445-11M05	25 - 11	92A08-03110	19 - 37		24 - 17	93210-35M86	6 - 17
90119-08M15	23 - 29	90280-03024	23 - 25	90445-11M06	25 - 9	92903-06600	2 - 6	92995-08600	9 - 13		6 - 36
	32 - 28		32 - 30	90446-17M91	18 - 41		21 - 33		11 - 11		30 - 12
90119-08M76	14 - 21	90280-04M06	8 - 16	90464-07M41	11 - 3		22 - 4		14 - 20		30 - 15
90119-08M77	14 - 22		30 - 17	90464-09M43	15 - 36		22 - 7	92995-10100	24 - 9		31 - 14
90119-08M79	21 - 17	90338-04M17	6 - 35	90464-15M11	12 - 30	92907-04600	4 - 25	92995-10600	24 - 10	93210-38MH3	6 - 24
90119-08M82	21 - 18	90338-05M03	15 - 31	90465-06M86	18 - 32	92990-05100	10 - 7	92995-12200	17 - 42		30 - 13
90119-08M84	24 - 11	90340-08002	23 - 7	90465-06M90	11 - 2		29 - 9	93101-22M00	23 - 50	93210-44383	19 - 8
90119-09M00	4 - 19	90340-14M06	2 - 8	90465-11M10	2 - 19	92990-05600	10 - 8		32 - 19	93210-48MG8	23 - 33
90142-05M06	23 - 12		22 - 13		6 - 21		21 - 21		23 - 32		32 - 16
90159-05M13	13 - 8	90344-51003	2 - 7		6 - 44	92990-06100	15 - 24		32 - 15	93210-48214	19 - 9
90159-06M08	11 - 18	90386-05002	15 - 14		18 - 33		15 - 34	93101-35002	3 - 2	93210-52449	20 - 17
90170-09M03	26 - 5	90386-10M16	17 - 18		18 - 40	92990-06600	10 - 11		30 - 11	93210-59MG7	23 - 24
90170-12138	23 - 38	90386-10025	17 - 19		23 - 20		15 - 25	93102-08414	20 - 15		32 - 13
90170-20137	10 - 18	90386-18M35	17 - 34	90465-13M11	12 - 26		15 - 35	93102-37M40	8 - 1		32 - 26
90170-35M32	8 - 15	90386-18M92	17 - 33	90465-13M18	18 - 39	92990-08100	11 - 21		30 - 16	93210-69MG6	23 - 48
90171-16011	24 - 23	90386-22M15	17 - 12	90465-13M24	12 - 22	92990-08600	28 - 34		3 - 1		32 - 18

NUMERICAL INDEX
INDICE NUMERICO

PART NO. CODIGO NO.	REF. NO.	PART NO. CODIGO NO.	REF. NO.	PART NO. CODIGO NO.	REF. NO.	PART NO. CODIGO NO.	REF. NO.	PART NO. CODIGO NO.	REF. NO.	PART NO. CODIGO NO.	REF. NO.
93210-74MG5	23 - 47	97013-06020	21 - 32	97880-05016	21 - 20						
	32 - 17	97013-06025	22 - 3	97880-05020	20 - 11						
93306-001U1	23 - 45	97013-06035	2 - 5	97880-06025	10 - 10						
93315-32224	23 - 3	97075-06025	21 - 10		15 - 23						
93317-22204	23 - 49		22 - 15		15 - 33						
93332-00001	23 - 6	97075-06050	21 - 6	97885-06008	17 - 4						
93332-00003	23 - 40	97075-08025	18 - 19	97885-06016	18 - 24						
93410-18M02	17 - 35	97075-08030	18 - 30		18 - 38						
93410-28M06	18 - 10	97075-10040	24 - 8	97890-04007	7 - 33						
93420-36M01	21 - 24	97080-08016	17 - 37	98507-04010	4 - 24						
93430-06024	28 - 10	97095-05012	2 - 30	98580-03015	28 - 38						
93450-09M01	4 - 4		4 - 9	98580-04006	28 - 36						
93450-17129	3 - 11		21 - 30	98580-04010	28 - 35						
93501-04M02	16 - 13	97095-05016	1 - 5	98580-05010	28 - 37						
93501-08001	19 - 45	97095-06010	4 - 13	98586-05016	25 - 4						
93503-16003	19 - 15		17 - 24	98980-04006	7 - 27						
93505-32038	19 - 27	97095-06012	11 - 15	99001-03600	19 - 26						
	19 - 36		12 - 14	99001-08600	23 - 54						
93604-08062	23 - 28		12 - 40	99530-08012	4 - 18						
93604-26256	19 - 40		13 - 6		10 - 12						
93605-14143	8 - 4	97095-06014	12 - 8								
93606-12019	2 - 3	97095-06016	6 - 47								
	22 - 11	97095-06020	2 - 32								
	24 - 7		4 - 11								
93608-12M05	22 - 8		4 - 29								
93608-16M16	6 - 42		12 - 2								
93700-06M03	17 - 10		12 - 24								
94701-00375	4 - 34		15 - 19								
95023-06025	10 - 4		16 - 3								
95307-03600	19 - 38		16 - 11								
95380-03600	9 - 28	97095-06025	6 - 40								
95380-05600	9 - 30		9 - 2								
	23 - 13		16 - 5								
	28 - 7	97095-06030	6 - 38								
	29 - 8		9 - 34								
95380-05700	16 - 23		11 - 5								
95380-06600	15 - 22	97095-06040	12 - 11								
	28 - 40	97095-08014	9 - 12								
95380-08600	9 - 14	97095-08016	14 - 19								
	11 - 20	97095-08025	24 - 13								
95380-12600	17 - 44	97095-08035	11 - 10								
95380-12800	18 - 17		24 - 16								
95780-05300	1 - 7	97380-05025	28 - 8								
95895-06025	12 - 36	97380-08030	28 - 33								
95895-06035	16 - 29	97595-06520	4 - 27								
95895-08020	8 - 11	97595-06590	6 - 5								
95895-10040	8 - 6	97607-04212	20 - 12								
97013-06016	22 - 6	97880-05012	10 - 6								

F50DET
PARTS CATALOGUE
©2002 by Yamaha Motor Co., Ltd.
1st Edition, Aug. 2002
All rights reserved.
Any reprinting or unauthorized use
without the written permission of
Yamaha Motor Co., Ltd.
is expressly prohibited.

F50DET
CATALOGO DE REPUESTOS
©2002, Yamaha Motor Co., Ltd.
1ª edición, Ag. 2002
Reservados todos los derechos.
Se prohíbe expresamente toda reimpresión
o utilización no autorizada de este manual
sin el consentimiento por escrito de
Yamaha Motor Co., Ltd.