

PARTS CATALOGUE

TW125 (5RS1) EUROPE

YAMAHA
GENUINE
Parts & Accessories

1A5RS-300E1

TW125
PARTS CATALOGUE
E2001 by Yamaha Motor Co., Ltd.
1st Edition, Oct. 2001
All rights reserved.
Any reprinting or unauthorized use
without the written permission of
Yamaha Motor Co., Ltd.
is expressly prohibited.
Printed in Japan

A3



A4

FOREWORD

This Parts Catalogue is related to the parts for the model(s) in the below frame. When you are ordering replacement parts, please refer to this Parts Catalogue and quote both part numbers and part names correctly.

TW125(5RS1)

1. Modifications or additions which have been made after issue of the Parts Catalogue will be announced in the Yamaha Parts News.
It is advisable that you make necessary corrections to the Parts Catalogue according to the Yamaha Parts News.

2. Abbreviations
The Following abbreviations are used in this Parts Catalogue.

“UR” Use specified parts number.
 “UN” Use as many as needed.
 “AP” Alternate Parts
 “LM” Local Made (Parts need to be ordered locally)
 “F#” Frame No. (Applicable machine No.)

3. Parts, which are to be supplied in an assembly, are listed with a dot(.) in front of the part name as shown below.

EXAMPLE
 CARBURETOR ASSY
 .JET, PILOT
 .NOZZLE, MAIN

4. Number of component for assembly
The numeral appearing to the right of each component part indicates the quantity of parts for each assembly unit.

EXAMPLE

| PART NO. | DESCRIPTION | Q'TY | REMARKS |
|--------------|--------------------------|------|---------|
| 2F5-83310-60 | FRONT FLASHER LIGHT ASSY | 2 | |
| 115-83311-60 | .BULB (6V-18W) | 1 | |
| 1M1-83309-60 | .REFLECTOR | 1 | |

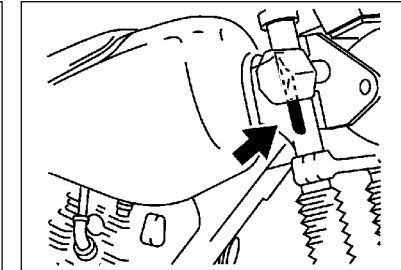
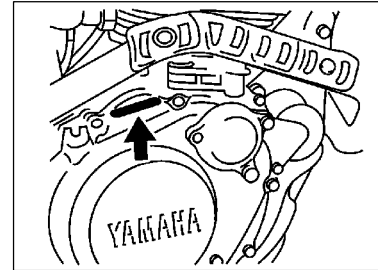
5. Applicable colors of graphics are represented in the “REMARKS” as shown below.

| PART NO. | DESCRIPTION | Q'TY | REMARKS |
|-----------------|---------------------|------|---------|
| 2N4-24110-00-X5 | FUEL TANK COMP. | 1 | MXR |
| 3J1-24240-10 | .GRAPHIC, FUEL TANK | 1 | FOR MXR |

6. Applicable Serial No.

Engine Serial No.

Frame Serial No.



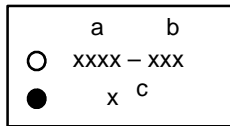
7. Note that the illustrations for reference in finding parts numbers, not to be used for assembling. When assembling, please use the applicable service manual.

8. The asterisk (*) before a reference number indicates modification items after the first edition.

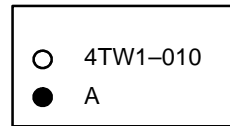
MODEL LABEL

(1) A label called "Model Label" is affixed in the location as indicated in (3) below.
 When using this parts catalogue, please be sure to cross-refer the "model code – production code No." in the catalogue to the "model code – production code No." indicated on the Model Label affixed onto the product concerned.

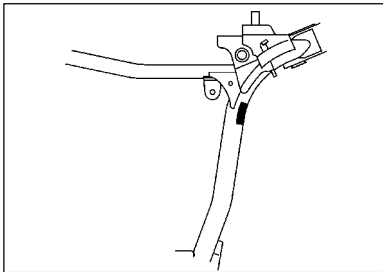
(2) "Model Label" Indication



a: Model Type Code
 b: Production Code No.
 c: Colouring Type



(3) Model Label Affixing Location



(4) Model Code – Production Code Number of Model Listed in This Parts Catalog

| Model Code | Production Code No. | Country (destination) | Model Code | Production Code No. | Country (destination) |
|------------|---------------------|-----------------------|------------|---------------------|-----------------------|
| 5RS1 | 010 | AUSTRIA | | | |
| | 030 | FINLAND | | | |
| | | IRELAND | | | |
| | | NORWAY | | | |
| | 050 | ENGLAND | | | |
| | 060 | GREECE | | | |
| | 070 | ITALY | | | |
| 080 | HOLLAND | | | | |
| 090 | PORTUGAL | | | | |
| | | | | | |
| | | | | | |
| | | | | | |
| | | | | | |
| | | | | | |
| | | | | | |

(5) Colouring Information

| Model Code | Colouring type code | Colour code | Colour Name | Abbreviation |
|------------|---------------------|-------------|---------------------------------|--------------|
| 5RS1 | A | 0778 | DARK VIOLET METALLIC A | DVMA |
| | B | 0712 | DARK GRAYISH GREEN METALLIC 3 | DNGM3 |
| | C | 0752 | LIGHT YELLOWISH GRAY METALLIC 9 | LYNM9 |

CONTENTS

ENGINE

| | |
|--------------------------|-----|
| CYLINDER HEAD | B2 |
| CYLINDER | B3 |
| CRANKSHAFT. PISTON | B4 |
| VALVE | B6 |
| CAMSHAFT. CHAIN | B7 |
| OIL PUMP | B8 |
| INTAKE | B9 |
| CARBURETOR | B10 |
| EXHAUST | B12 |
| CRANKCASE | B13 |
| CRANKCASE COVER 1 | B14 |
| STARTER | B15 |
| CLUTCH | C2 |
| TRANSMISSION | C4 |
| SHIFT CAM. FORK | C6 |
| SHIFT SHAFT | C7 |

CHASSIS

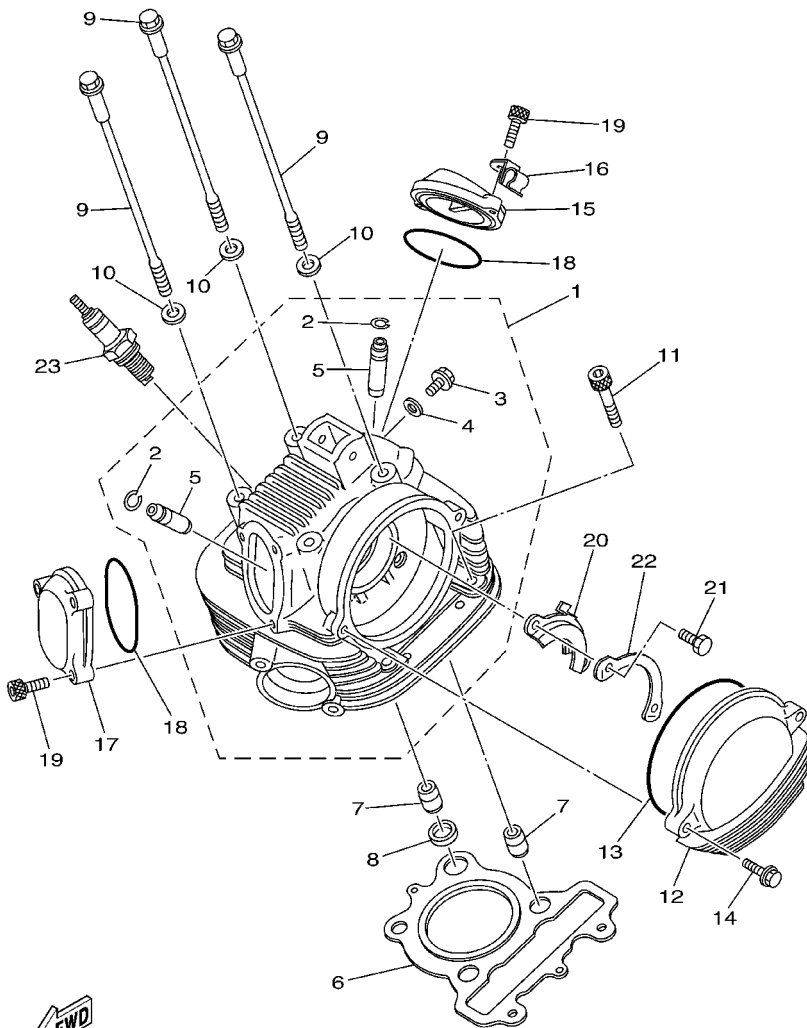
| | |
|---------------------------|-----|
| FRAME | C8 |
| FENDER | C10 |
| SIDE COVER | C11 |
| REAR ARM | C12 |
| REAR SUSPENSION | C13 |
| STEERING | C14 |
| FRONT FORK | C15 |
| FUEL TANK | D3 |
| SEAT | D4 |
| FRONT WHEEL | D5 |
| FRONT BRAKE CALIPER | D6 |

| | |
|------------------------------|-----|
| REAR WHEEL | D7 |
| STEERING HANDLE. CABLE | D9 |
| FRONT MASTER CYLINDER | D10 |
| STAND. FOOTREST | D11 |
| GENERATOR | D13 |
| STARTING MOTOR | D14 |
| FLASHER LIGHT | D15 |
| METER | E2 |
| HEADLIGHT | E3 |
| TAILLIGHT | E4 |
| HANDLE SWITCH. LEVER | E5 |
| ELECTRICAL 1 | E6 |
| ELECTRICAL 2 | E7 |

INDEX

| | |
|-----------------------|----|
| NUMERICAL INDEX | M1 |
|-----------------------|----|

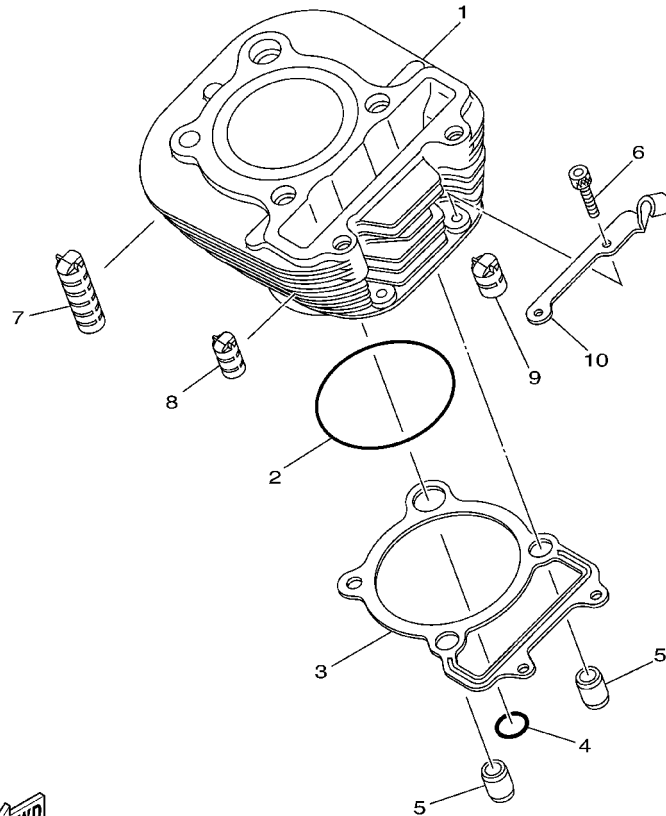
FIG. 1 CYLINDER HEAD



FWD
5RS1300-A010

| REF. NO. | PART NO. | DESCRIPTION | 5RS1 | | | | REMARKS |
|----------|--------------|-----------------------------|------|--|--|--|---------|
| 1 | 5EK-11110-01 | CYLINDER HEAD ASSY | 1 | | | | |
| 2 | 93440-10085 | .CIRCLIP | 2 | | | | |
| 3 | 90153-06029 | .SCREW, HEXAGON | 1 | | | | |
| 4 | 90430-06014 | .GASKET | 1 | | | | |
| 5 | 5H0-11133-11 | .GUIDE, INTAKE VALVE | 2 | | | | |
| 6 | 3NS-11181-00 | GASKET, CYLINDER HEAD 1 | 1 | | | | |
| 7 | 99530-14016 | PIN, DOWEL | 3 | | | | |
| 8 | 90430-14131 | GASKET | 1 | | | | |
| 9 | 90105-08195 | BOLT, FLANGE | 4 | | | | |
| 10 | 90201-08609 | WASHER, PLATE | 4 | | | | |
| 11 | 91317-08045 | BOLT | 2 | | | | |
| 12 | 5EK-11185-00 | COVER, CYLINDER HEAD SIDE 1 | 1 | | | | |
| 13 | 93211-05471 | O-RING | 1 | | | | |
| 14 | 95027-06020 | BOLT, FLANGE | 2 | | | | |
| 15 | 15A-11186-00 | COVER, CYLINDER HEAD SIDE 2 | 1 | | | | |
| 16 | 90462-06001 | CLAMP | 1 | | | | |
| 17 | 15A-11187-00 | COVER, CYLINDER HEAD SIDE 3 | 1 | | | | |
| 18 | 93210-57634 | O-RING | 2 | | | | |
| 19 | 91317-06018 | BOLT | 5 | | | | |
| 20 | 5H0-1111F-00 | PLATE | 1 | | | | |
| 21 | 97007-06012 | BOLT | 2 | | | | |
| 22 | 90215-06184 | WASHER, LOCK | 1 | | | | |
| 23 | 94701-00333 | PLUG, SPARK (NGK DR8EA) | 1 | | | | |

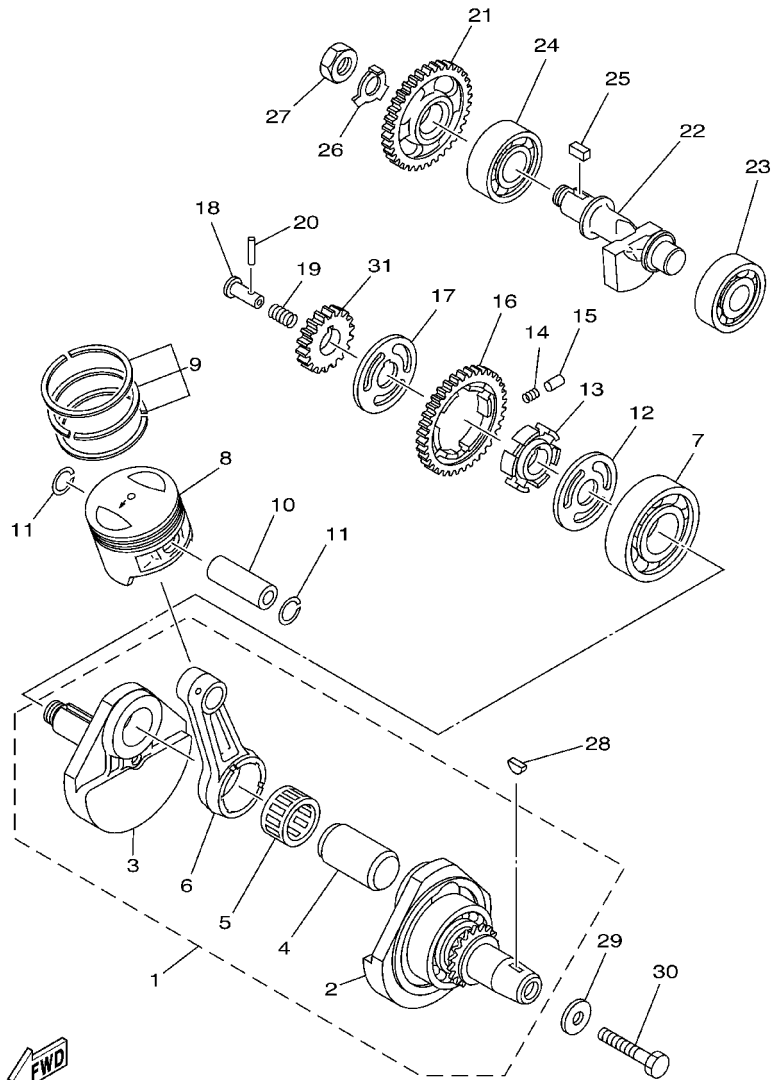
FIG. 2 CYLINDER



5EK1300-9020

| REF. NO. | PART NO. | DESCRIPTION | 5RS1 | | | | REMARKS |
|----------|--------------|----------------------|------|--|--|--|---------|
| 1 | 3NS-11310-00 | CYLINDER | 1 | | | | |
| 2 | 93210-63489 | O-RING | 1 | | | | |
| 3 | 4DD-11351-00 | GASKET, CYLINDER | 1 | | | | |
| 4 | 93210-13361 | O-RING | 1 | | | | |
| 5 | 99530-14016 | PIN, DOWEL | 2 | | | | |
| 6 | 91317-06030 | BOLT | 2 | | | | |
| 7 | 15A-11162-00 | ABSORBER 2 | 2 | | | | |
| 8 | 5H0-11162-00 | ABSORBER 2 | 2 | | | | |
| 9 | 15A-11161-01 | ABSORBER 1 | 1 | | | | |
| 10 | 15A-15441-00 | HOLDER, CLUTCH CABLE | 1 | | | | |
| | | | | | | | |
| | | | | | | | |
| | | | | | | | |
| | | | | | | | |

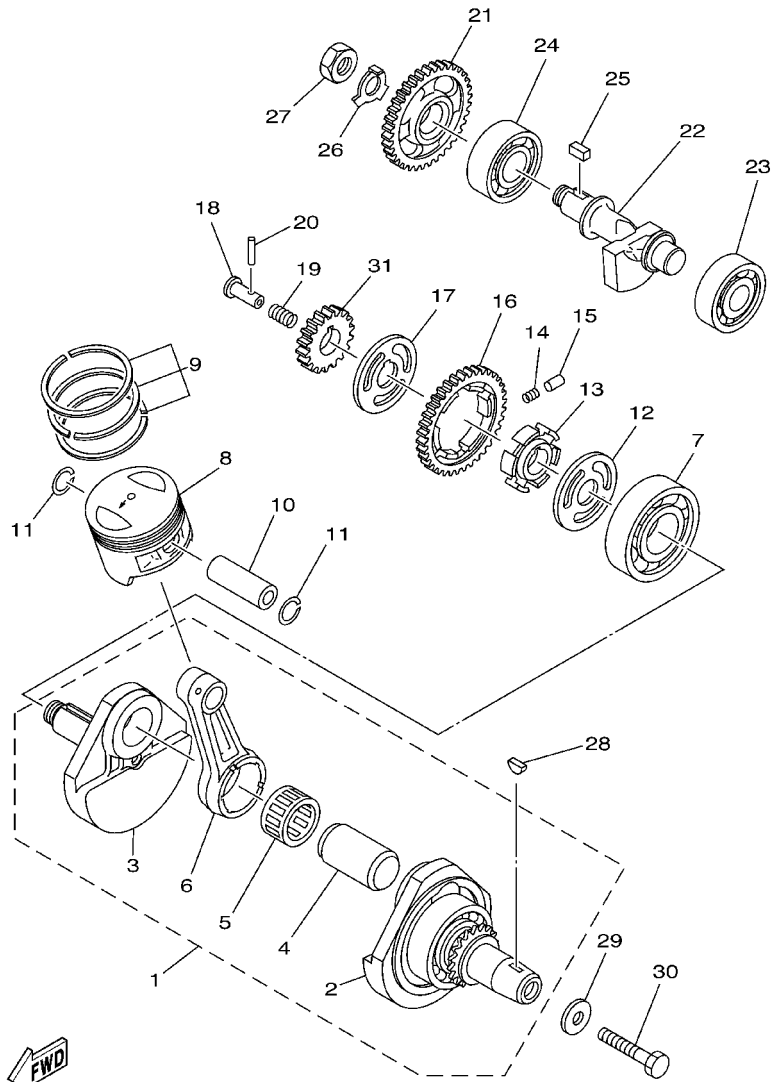
FIG. 3 CRANKSHAFT. PISTON



FWD
5EK1300-9030

| REF. NO. | PART NO. | DESCRIPTION | 5RS1 | | | | REMARKS |
|----------|-----------------|------------------------------|------|--|--|--|---------|
| 1 | 5N0-11400-00 | CRANKSHAFT ASSY | 1 | | | | |
| 2 | 5N0-11412-09 | .CRANK 1 | 1 | | | | |
| 3 | 5N0-11422-00 | .CRANK 2 | 1 | | | | |
| 4 | 5H0-11681-00 | .PIN, CRANK 1 | 1 | | | | |
| 5 | 93310-530J3 | .BEARING | 1 | | | | |
| 6 | 5N0-11651-00 | .ROD, CONNECTING | 1 | | | | |
| 7 | 93306-30611 | BEARING | 1 | | | | |
| 8 | 25A-11631-00-Y0 | PISTON (STD) | 1 | | | | |
| | 25A-11636-00 | PISTON (0.50MM O/S) | 1 | | | | AP |
| | 25A-11638-00 | PISTON (1.00MM O/S) | 1 | | | | AP |
| 9 | 4GA-11603-00 | PISTON RING SET (STD) | 1 | | | | |
| | 4GA-11605-00 | PISTON RING SET (0.50MM O/S) | 1 | | | | AP |
| | 4GA-11607-00 | PISTON RING SET (1.00MM O/S) | 1 | | | | AP |
| 10 | 5N0-11633-00 | PIN, PISTON | 1 | | | | |
| 11 | 93450-16068 | CIRCLIP | 2 | | | | |
| 12 | 90201-201E4 | WASHER, PLATE | 1 | | | | |
| 13 | 5H0-11496-00 | BOSS, BUFFER | 1 | | | | |
| 14 | 90501-21133 | SPRING, COMPRESSION | 6 | | | | |
| 15 | 93605-10090 | PIN, DOWEL | 3 | | | | |
| 16 | 5H0-11536-00 | GEAR, DRIVE (38T) | 1 | | | | |
| 17 | 90214-20023 | WASHER, CLAW | 1 | | | | |
| 18 | 90240-07083 | PIN, CLEVIS | 1 | | | | |
| 19 | 90501-07629 | SPRING, COMPRESSION | 1 | | | | |
| 20 | 93602-13177 | PIN, DOWEL | 1 | | | | |
| 21 | 5H0-11531-00 | GEAR, BALANCE WEIGHT (38T) | 1 | | | | |
| 22 | 15E-11454-00 | WEIGHT 1 | 1 | | | | |
| 23 | 93306-30427 | BEARING | 1 | | | | |

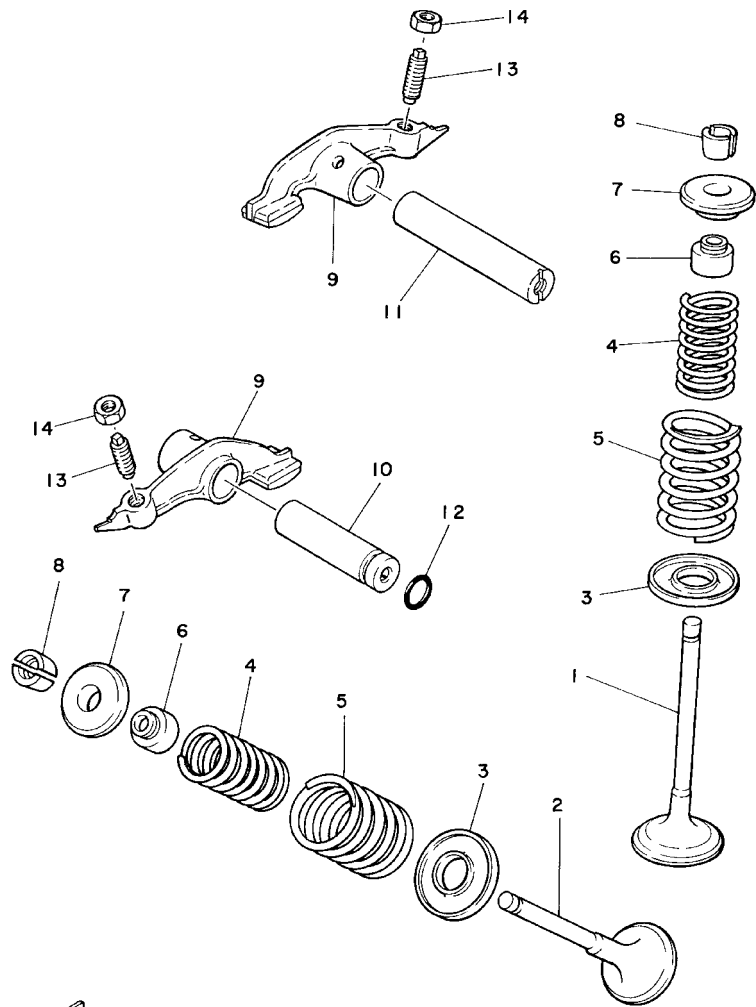
FIG. 3 CRANKSHAFT. PISTON



5EK1300-9030

| REF. NO. | PART NO. | DESCRIPTION | 5RS1 | | | | REMARKS |
|----------|--------------|------------------|------|--|--|--|---------|
| 24 | 93306-30427 | BEARING | 1 | | | | |
| 25 | 90282-05013 | KEY, STRAIGHT | 1 | | | | |
| 26 | 90215-14205 | WASHER, LOCK | 1 | | | | |
| 27 | 90170-14284 | NUT | 1 | | | | |
| 28 | 90280-05013 | KEY, WOODRUFF | 1 | | | | |
| 29 | 90201-10508 | WASHER, PLATE | 1 | | | | |
| 30 | 90101-10188 | BOLT | 1 | | | | |
| 31 | 36X-13324-00 | GEAR, PUMP DRIVE | 1 | | | | |

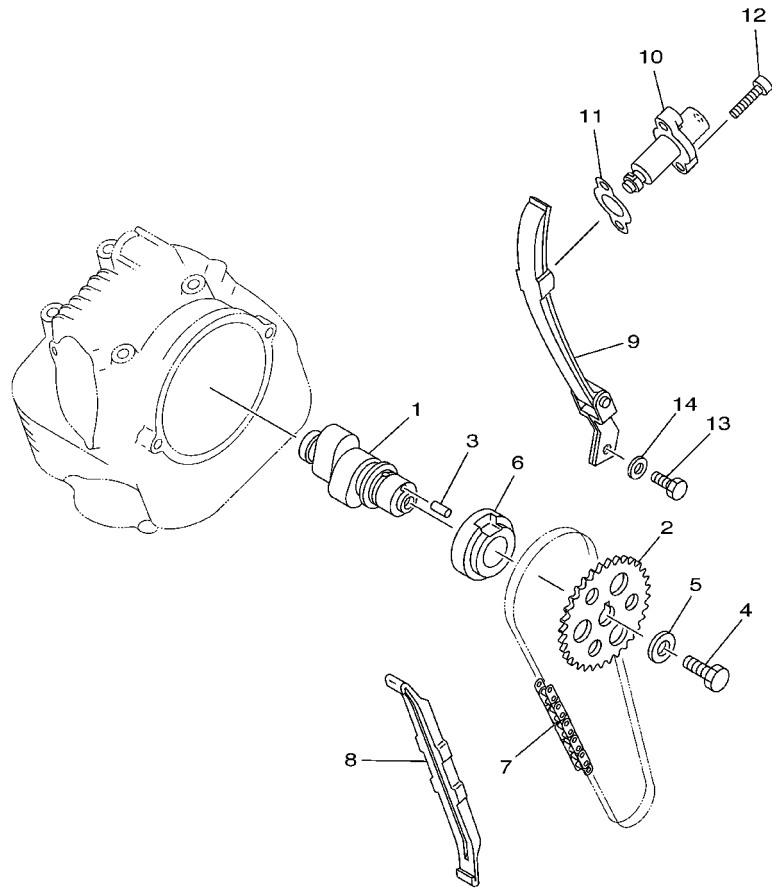
FIG. 4 VALVE



| REF. NO. | PART NO. | DESCRIPTION | 5RS1 | | | | REMARKS |
|----------|--------------|------------------------|------|--|--|--|---------|
| 1 | 5N0-12111-01 | VALVE, INTAKE | 1 | | | | |
| 2 | 5N0-12121-01 | VALVE, EXHAUST | 1 | | | | |
| 3 | 4G0-12116-01 | SEAT, VALVE SPRING | 2 | | | | |
| 4 | 4G0-12113-01 | SPRING, VALVE INNER | 2 | | | | YELLOW |
| 5 | 4G0-12114-01 | SPRING, VALVE OUTER | 2 | | | | YELLOW |
| 6 | 5H0-12119-00 | SEAL, VALVE STEM | 2 | | | | |
| 7 | 4G0-12117-00 | RETAINER, VALVE SPRING | 2 | | | | |
| 8 | 4G0-12118-00 | COTTER, VALVE | 4 | | | | |
| 9 | 36X-12151-00 | ARM, VALVE ROCKER | 2 | | | | |
| 10 | 5H0-12156-00 | SHAFT, ROCKER 2 | 1 | | | | |
| 11 | 5H0-12146-00 | SHAFT, ROCKER | 1 | | | | |
| 12 | 93210-09165 | O-RING | 1 | | | | |
| 13 | 2NX-12159-00 | SCREW, VALVE ADJUSTING | 2 | | | | |
| 14 | 90170-06128 | NUT | 2 | | | | |

FWD
IKH010-6040

FIG. 5 CAMSHAFT. CHAIN

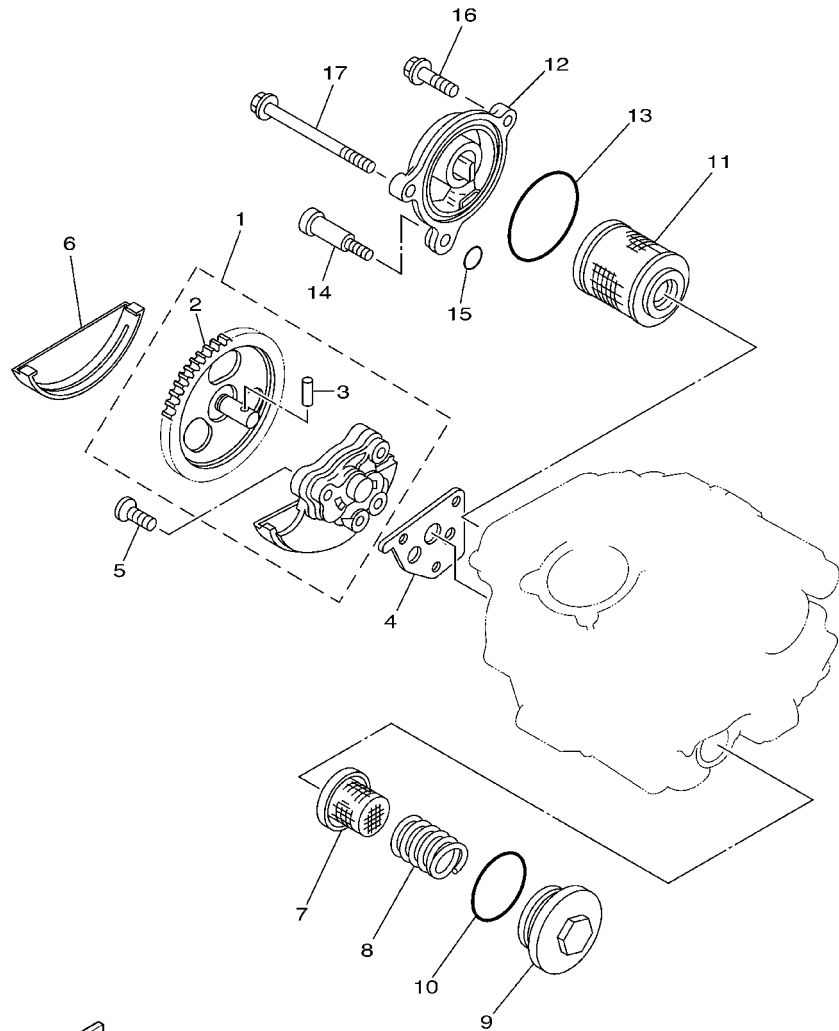


| REF. NO. | PART NO. | DESCRIPTION | 5RS1 | | | | REMARKS |
|----------|--------------|---------------------------|------|--|--|--|---------|
| 1 | 5N0-12171-10 | CAMSHAFT 1 | 1 | | | | |
| 2 | 1KH-12176-00 | SPROCKET, CAM CHAIN | 1 | | | | |
| 3 | 93604-10011 | PIN, DOWEL | 1 | | | | |
| 4 | 90101-10303 | BOLT | 1 | | | | |
| 5 | 90201-10591 | WASHER, PLATE | 1 | | | | |
| 6 | 90387-255F3 | COLLAR | 1 | | | | |
| 7 | 94580-41104 | CHAIN | 1 | | | | |
| 8 | 5H0-12231-00 | GUIDE, STOPPER 1 | 1 | | | | |
| 9 | 5N0-12241-00 | GUIDE, STOPPER 2 | 1 | | | | |
| 10 | 2LN-12210-10 | TENSIONER ASSY, CAM CHAIN | 1 | | | | |
| 11 | 4FM-12213-00 | GASKET, TENSIONER CASE | 1 | | | | |
| 12 | 91317-06025 | BOLT | 2 | | | | |
| 13 | 97027-06016 | BOLT | 2 | | | | |
| 14 | 92907-06600 | WASHER, PLATE | 2 | | | | |



5EK1300-9050

FIG. 6 OIL PUMP

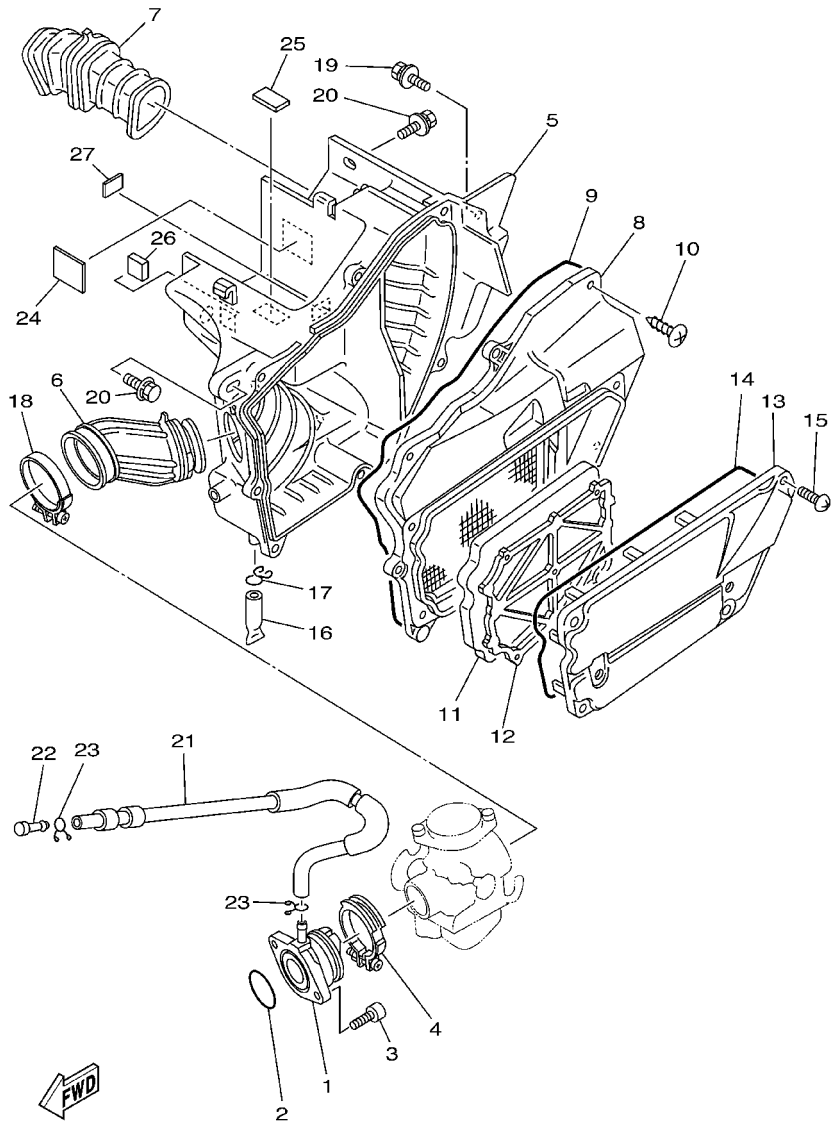


| REF. NO. | PART NO. | DESCRIPTION | 5RS1 | | | | REMARKS |
|----------|--------------|----------------------------|------|--|--|--|---------|
| 1 | 5H0-13300-02 | OIL PUMP ASSY | 1 | | | | |
| 2 | 5H0-13326-01 | .GEAR, PUMP DRIVEN 2 (45T) | 1 | | | | |
| 3 | 93603-12030 | .PIN, DOWEL | 1 | | | | |
| 4 | 4BE-13329-01 | GASKET, PUMP COVER | 1 | | | | |
| 5 | 98707-06030 | SCREW, FLAT HEAD | 3 | | | | |
| 6 | 5H0-13327-00 | COVER, PUMP GEAR | 1 | | | | |
| 7 | 51Y-13411-00 | STRAINER, OIL | 1 | | | | |
| 8 | 90501-18576 | SPRING, COMPRESSION | 1 | | | | |
| 9 | 5H0-15351-00 | PLUG, DRAIN | 1 | | | | |
| 10 | 93210-347A1 | O-RING | 1 | | | | |
| 11 | 5H0-13440-00 | ELEMENT ASSY, OIL CLEANER | 1 | | | | |
| 12 | 15A-13447-00 | COVER, OIL ELEMENT | 1 | | | | |
| 13 | 93210-54175 | O-RING | 1 | | | | |
| 14 | 90109-06419 | BOLT | 1 | | | | |
| 15 | 93210-07135 | O-RING | 1 | | | | |
| 16 | 95027-06025 | BOLT, FLANGE | 1 | | | | |
| 17 | 90105-065A1 | BOLT, FLANGE | 1 | | | | |



5RS1300-A060

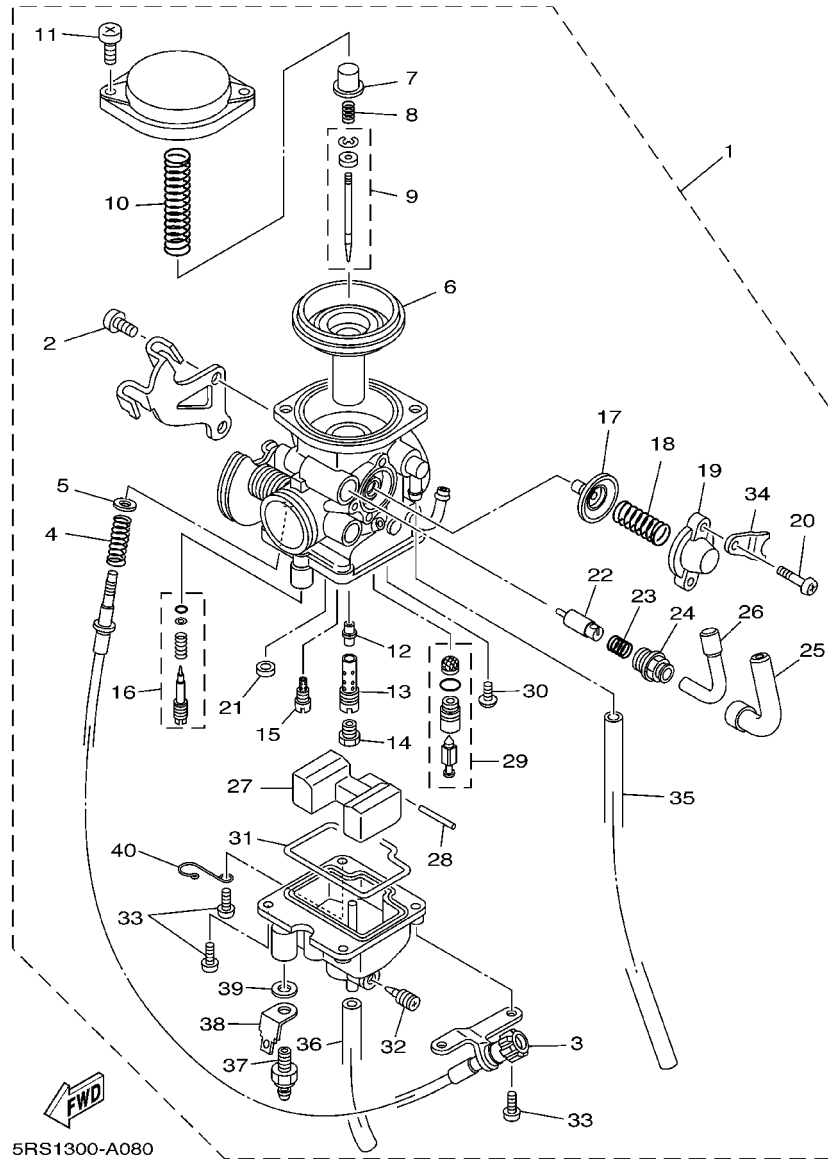
FIG. 7 INTAKE



5RS1300-A070

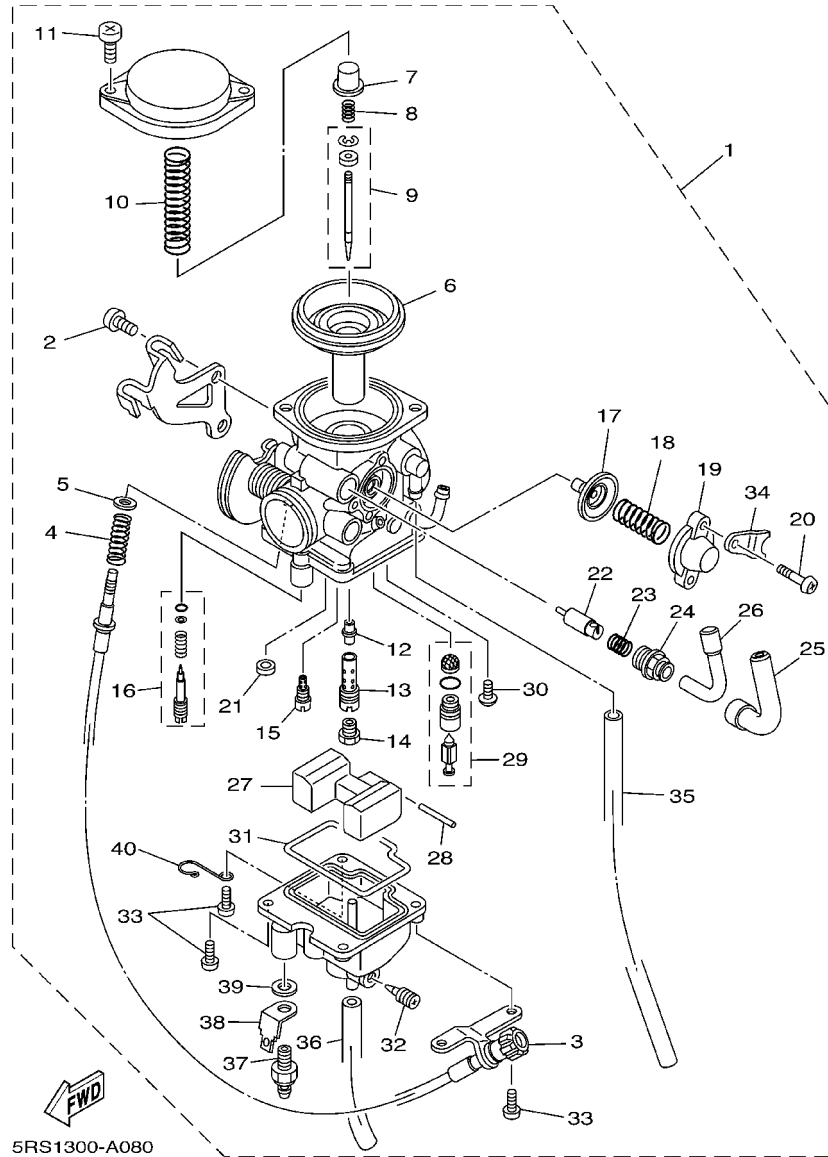
| REF. NO. | PART NO. | DESCRIPTION | 5RS1 | | | | REMARKS |
|----------|--------------|-----------------------|------|--|--|--|---------|
| 1 | 5LB-13586-02 | JOINT, CARBURETOR 1 | 1 | | | | |
| 2 | 93210-35537 | O-RING | 1 | | | | |
| 3 | 90149-06002 | SCREW | 2 | | | | |
| 4 | 90450-44062 | HOSE CLAMP ASSY | 1 | | | | |
| 5 | 2JX-14411-01 | CASE, AIR CLEANER 1 | 1 | | | | |
| 6 | 5LB-14453-10 | JOINT, AIR CLEANER 1 | 1 | | | | |
| 7 | 2JL-14437-00 | DUCT | 1 | | | | |
| 8 | 2JX-14412-00 | CAP, CLEANER CASE 1 | 1 | | | | |
| 9 | 2JX-14452-00 | SEAL | 1 | | | | |
| 10 | 97707-50520 | SCREW, TAPPING | 7 | | | | |
| 11 | 2JX-14451-00 | ELEMENT, AIR CLEANER | 1 | | | | |
| 12 | 2JX-14458-00 | GUIDE | 1 | | | | |
| 13 | 2JX-14422-00 | CAP, CLEANER CASE 2 | 1 | | | | |
| 14 | 5U8-14457-00 | SEAL | 1 | | | | |
| 15 | 90154-05005 | SCREW, BINDING | 4 | | | | |
| 16 | 34X-1443E-00 | PIPE, DRAIN | 1 | | | | |
| 17 | 90467-11106 | CLIP | 1 | | | | |
| 18 | 90460-51059 | CLAMP, HOSE | 1 | | | | |
| 19 | 90119-06056 | BOLT, WITH WASHER | 1 | | | | |
| 20 | 90119-06063 | BOLT, WITH WASHER | 2 | | | | |
| 21 | 5LB-13584-00 | PIPE, INTAKE MANIFOLD | 1 | | | | |
| 22 | 90338-08007 | PLUG | 1 | | | | |
| 23 | 90467-10041 | CLIP | 2 | | | | |
| 24 | 29N-14425-00 | DAMPER 1 | 1 | | | | |
| 25 | 26H-24145-00 | DAMPER, SIDE COVER | 1 | | | | |
| 26 | 3NS-21747-00 | DAMPÉR | 1 | | | | |
| 27 | 29N-21747-00 | DAMPER | 1 | | | | |

FIG. 8 CARBURETOR



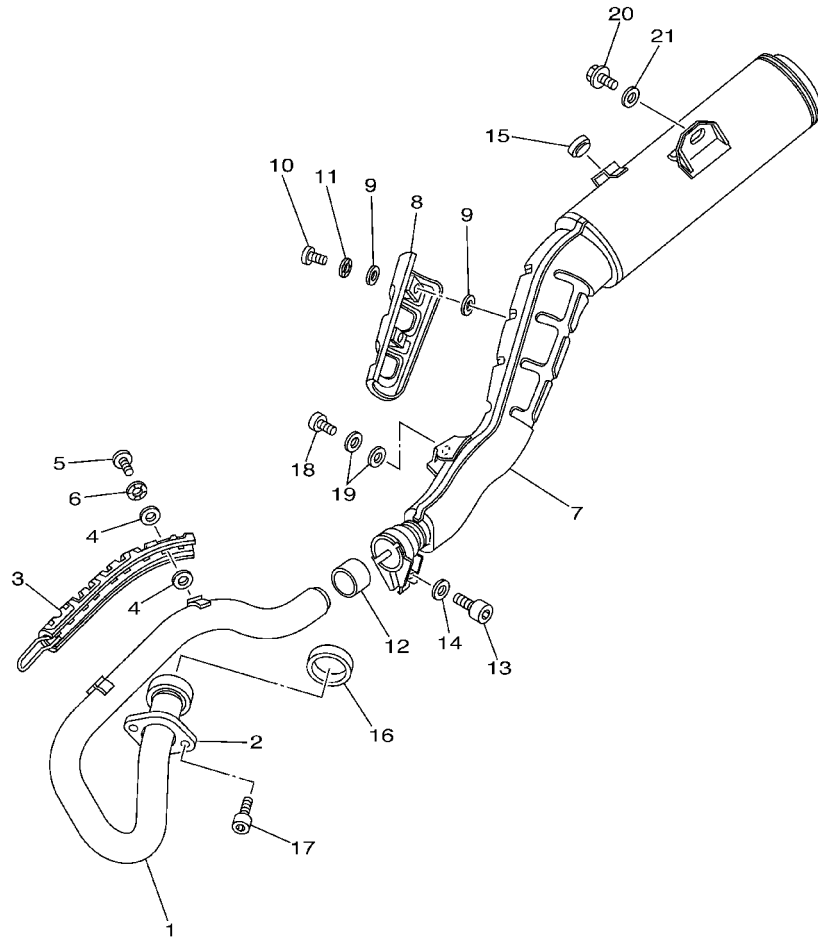
| REF. NO. | PART NO. | DESCRIPTION | 5RS1 | | | | REMARKS |
|----------|--------------|------------------------|------|--|--|--|---------|
| 1 | 5RS-14301-00 | CARBURETOR ASSY 1 | 1 | | | | |
| 2 | 97801-05010 | .SCREW, PAN HEAD | 2 | | | | |
| 3 | 5LB-14321-00 | .SCREW, THROTTLE | 1 | | | | |
| 4 | 2JX-14333-00 | .SPRING, THROTTLE STOP | 1 | | | | |
| 5 | 5LB-14357-00 | .WASHER, PLAIN | 1 | | | | |
| 6 | 5LB-14344-00 | .SUCTION PISTON ASSY | 1 | | | | |
| 7 | 5LB-14936-00 | .SEAT, SPRING | 1 | | | | |
| 8 | 5LB-14275-00 | .SPRING | 1 | | | | |
| 9 | 5RS-14336-00 | .NEEDLE | 1 | | | | |
| 10 | 5RS-14286-00 | .SPRING | 1 | | | | |
| 11 | 5LB-14216-00 | .SCREW | 2 | | | | |
| 12 | 5RS-14341-00 | .NOZZLE, MAIN | 1 | | | | |
| 13 | 5RS-14341-10 | .BLEED,NOZZLE MAIN | 1 | | | | |
| 14 | 288-14343-67 | .JET, MAIN (#134) | 1 | | | | |
| 15 | 5LB-14342-17 | .JET, PILOT (#34) | 1 | | | | |
| 16 | 5RS-14105-00 | .PILOT SCREW SET | 1 | | | | |
| 17 | 5LB-14368-00 | .DIAPHRAGM ASSY 1 | 1 | | | | |
| 18 | 5RS-14589-00 | .SPRING | 1 | | | | |
| 19 | 5LB-14293-00 | .COVER 1 | 1 | | | | |
| 20 | 214-24535-00 | .SCREW, LEVER FITTING | 2 | | | | |
| 21 | 50M-14355-00 | .PLUG | 1 | | | | |
| 22 | 5RS-14371-00 | .PLUNGER, STARTER | 1 | | | | |
| 23 | 5RS-14335-00 | .SPRING, PLUNGER | 1 | | | | |
| 24 | 5RS-14364-00 | .CAP, STARTER | 1 | | | | |
| 25 | 5EK-14363-00 | .CAP | 1 | | | | |
| 26 | 5EK-14348-00 | .PIPE, ADJUSTER | 1 | | | | |
| 27 | 5LB-14385-00 | .FLOAT | 1 | | | | |

FIG. 8 CARBURETOR



| REF. NO. | PART NO. | DESCRIPTION | 5RS1 | | | | REMARKS |
|----------|--------------|------------------------|------|--|--|--|---------|
| 28 | 5LB-14386-00 | .PIN, FLOAT | 1 | | | | |
| 29 | 5LB-14390-00 | .NEEDLE VALVE ASSY | 1 | | | | |
| 30 | 98901-04006 | .SCREW, BIND | 1 | | | | |
| 31 | 5LB-14384-00 | .GASKET, FLOAT CHAMBER | 1 | | | | |
| 32 | 4JP-14323-00 | .DRAIN, SCREW | 1 | | | | |
| 33 | 5LB-14592-00 | .SCREW | 4 | | | | |
| 34 | 5LB-14292-00 | .BRACKET 2 | 1 | | | | |
| 35 | 5FY-14197-00 | .PIPE | 1 | | | | |
| 36 | 5FY-14196-00 | .PIPE | 1 | | | | |
| 37 | 4TR-83790-00 | .HEATER ASSY (15W) | 1 | | | | |
| 38 | 5FU-82103-00 | .TERMINAL 1 | 1 | | | | |
| 39 | 90201-08016 | .WASHER, PLATE | 1 | | | | |
| 40 | 5GM-14243-00 | .PLATE | 1 | | | | |

FIG. 9 EXHAUST

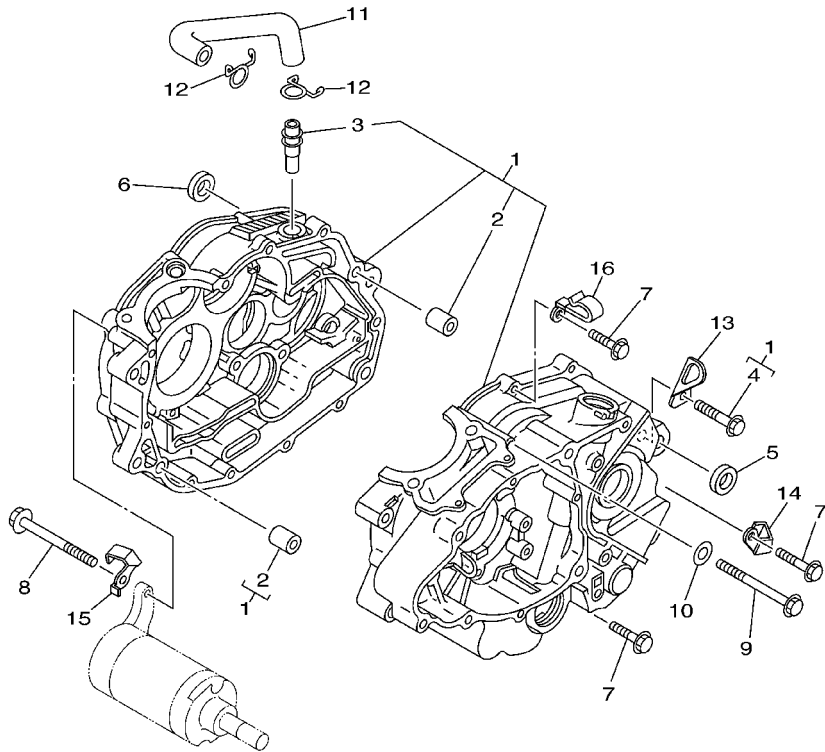


5EK5300-1090

| REF. NO. | PART NO. | DESCRIPTION | 5RS1 | | | | REMARKS |
|----------|--------------|-------------------------|------|--|--|--|---------|
| 1 | 2JX-14611-01 | PIPE, EXHAUST 1 | 1 | | | | |
| 2 | 5H0-14612-00 | NUT, RING | 1 | | | | |
| 3 | 5LB-14628-00 | PROTECTOR, EXHAUST PIPE | 1 | | | | |
| 4 | 4BD-14766-00 | WASHER, PROTECTOR | 4 | | | | |
| 5 | 98907-06010 | SCREW, BIND | 2 | | | | |
| 6 | 90206-06090 | WASHER, WAVE | 2 | | | | |
| 7 | 2JL-14711-11 | MUFFLER 1 | 1 | | | | |
| 8 | 2JX-14728-00 | PROTECTOR, MUFFLER 2 | 1 | | | | |
| 9 | 90202-05191 | WASHER, PLATE | 4 | | | | |
| 10 | 98907-06010 | SCREW, BIND | 2 | | | | |
| 11 | 90206-06090 | WASHER, WAVE | 2 | | | | |
| 12 | 3YF-14714-00 | GASKET, MUFFLER | 1 | | | | |
| 13 | 91317-08025 | BOLT | 1 | | | | |
| 14 | 92907-08600 | WASHER, PLATE | 1 | | | | |
| 15 | 22W-24181-00 | DAMPER, LOCATING 1 | 1 | | | | |
| 16 | 4BE-14613-00 | GASKET, EXHAUST PIPE | 1 | | | | |
| 17 | 91317-06020 | BOLT | 2 | | | | |
| 18 | 91317-08016 | BOLT | 1 | | | | |
| 19 | 90201-08326 | WASHER, PLATE | 2 | | | | |
| 20 | 95817-08016 | BOLT, FLANGE | 1 | | | | |
| 21 | 90201-08326 | WASHER, PLATE | 1 | | | | |

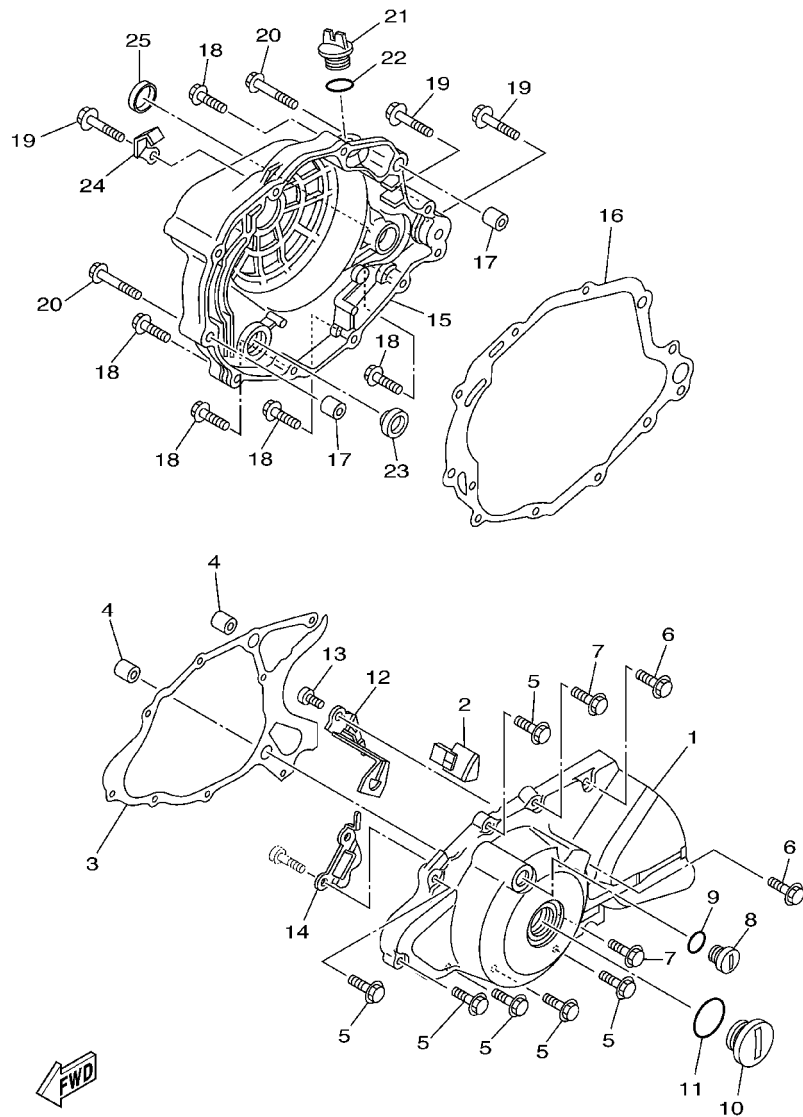
FIG. 10 CRANKCASE

| REF. NO. | PART NO. | DESCRIPTION | 5RS1 | | | | REMARKS |
|----------|--------------|-------------------|------|--|--|--|---------|
| 1 | 5EK-15100-01 | CRANKCASE ASSY | 1 | | | | |
| 2 | 99530-12016 | .PIN, DOWEL | 2 | | | | |
| 3 | 371-11167-01 | .PIPE, BREATHER 2 | 1 | | | | |
| 4 | 95027-06040 | .BOLT, FLANGE | 2 | | | | |
| 5 | 90387-125F1 | COLLAR | 1 | | | | |
| 6 | 90387-125F1 | COLLAR | 1 | | | | |
| 7 | 95027-06030 | BOLT, FLANGE | 7 | | | | |
| 8 | 95027-06090 | BOLT, FLANGE | 2 | | | | |
| 9 | 95027-06085 | BOLT, FLANGE | 1 | | | | |
| 10 | 90430-06014 | GASKET | 1 | | | | |
| 11 | 3Y1-11166-00 | PIPE, BREATHER 1 | 1 | | | | |
| 12 | 90467-14015 | CLIP | 2 | | | | |
| 13 | 90465-08020 | CLAMP | 1 | | | | |
| 14 | 90462-08225 | CLAMP | 1 | | | | |
| 15 | 90462-08224 | CLAMP | 1 | | | | |
| 16 | 90465-08127 | CLAMP | 1 | | | | |
| | | | | | | | |
| | | | | | | | |
| | | | | | | | |



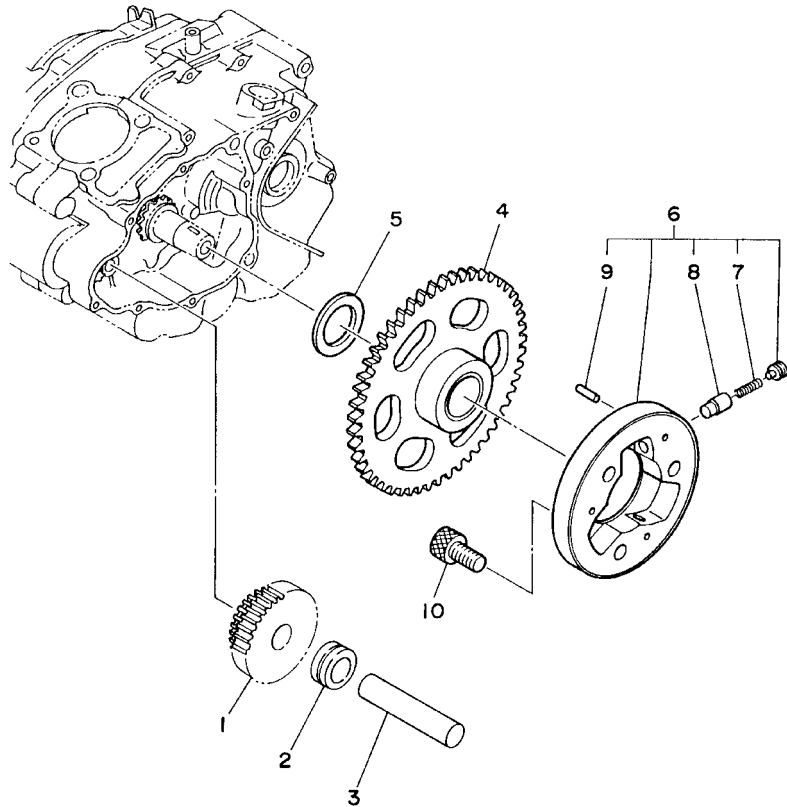
5FY8100-1100

FIG. 11 CRANKCASE COVER 1



| REF. NO. | PART NO. | DESCRIPTION | 5RS1 | | | | REMARKS |
|----------|--------------|---------------------------|------|--|--|--|---------|
| 1 | 5EK-15410-00 | CRANKCASE COVER ASSY 1 | 1 | | | | |
| 2 | 2JX-15377-00 | GUIDE, INLET | 1 | | | | |
| 3 | 3AW-15451-03 | GASKET, CRANKCASE COVER 1 | 1 | | | | |
| 4 | 99530-12016 | PIN, DOWEL | 2 | | | | |
| 5 | 95027-06025 | BOLT, FLANGE | 6 | | | | |
| 6 | 90105-06017 | BOLT, FLANGE | 2 | | | | |
| 7 | 90105-06014 | BOLT, FLANGE | 2 | | | | |
| 8 | 90340-14117 | PLUG, STRAIGHT SCREW | 1 | | | | |
| 9 | 93210-14369 | O-RING | 1 | | | | |
| 10 | 90340-32080 | PLUG, STRAIGHT SCREW | 1 | | | | |
| 11 | 93210-32172 | O-RING | 1 | | | | |
| 12 | 90465-08364 | CLAMP | 1 | | | | |
| 13 | 91317-06010 | BOLT | 1 | | | | |
| 14 | 90465-16187 | CLAMP | 1 | | | | |
| 15 | 15A-15431-01 | COVER, CRANKCASE 3 | 1 | | | | |
| 16 | 4BE-15462-00 | GASKET, CRANKCASE COVER 3 | 1 | | | | |
| 17 | 99530-12016 | PIN, DOWEL | 2 | | | | |
| 18 | 95027-06025 | BOLT, FLANGE | 5 | | | | |
| 19 | 95027-06035 | BOLT, FLANGE | 3 | | | | |
| 20 | 95027-06045 | BOLT, FLANGE | 2 | | | | |
| 21 | 3Y1-15363-00 | PLUG, OIL | 1 | | | | |
| 22 | 93210-19123 | O-RING | 1 | | | | |
| 23 | 3Y1-15361-00 | GAUGE, LEVEL | 1 | | | | |
| 24 | 90462-08225 | CLAMP | 1 | | | | |
| 25 | 55X-15167-00 | PLUG, BLIND 1 | 1 | | | | |

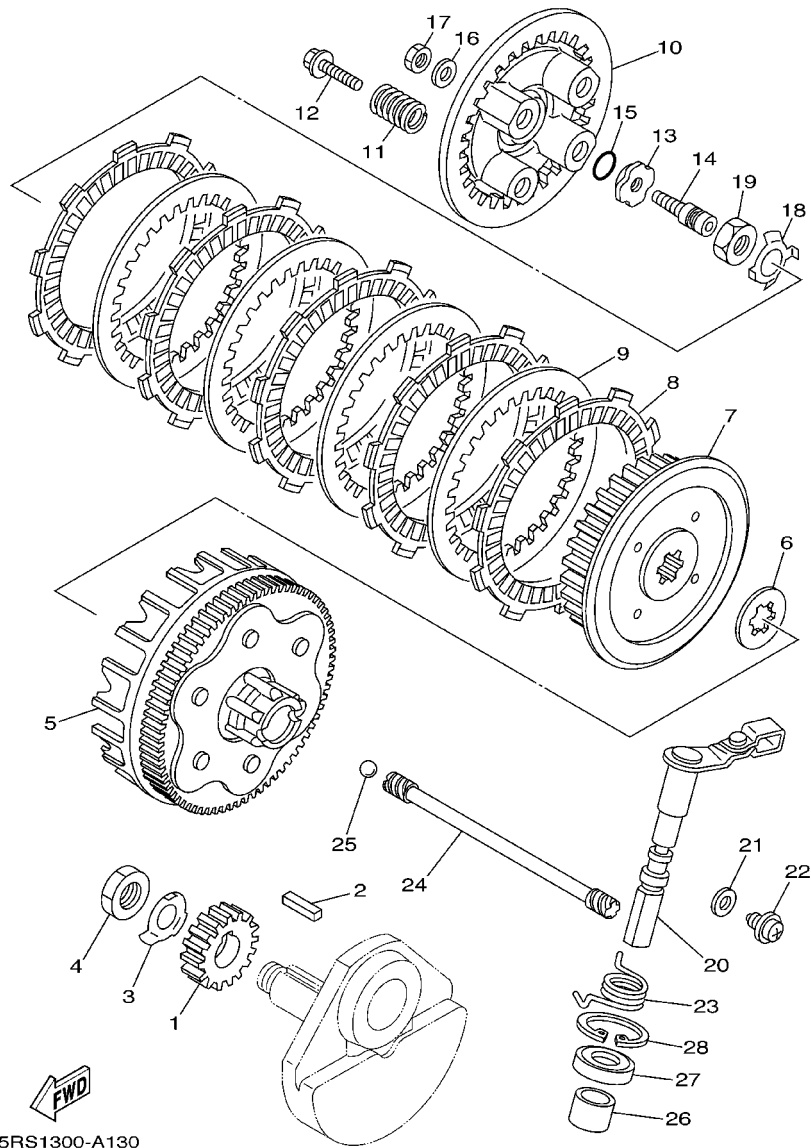
FIG. 12 STARTER



| REF. NO. | PART NO. | DESCRIPTION | 5RS1 | | | | REMARKS |
|----------|--------------|-----------------------------|------|--|--|--|---------|
| 1 | 2HT-15512-00 | GEAR, IDLER 1 | 1 | | | | |
| 2 | 90387-125Y0 | COLLAR | 1 | | | | |
| 3 | 5H0-15521-00 | SHAFT 1 | 1 | | | | |
| 4 | 5H0-15517-00 | GEAR, IDLER 2 (56T) | 1 | | | | |
| 5 | 90201-25290 | WASHER, PLATE | 1 | | | | |
| 6 | 4H7-15580-10 | STARTER CLUTCH OUTER ASSY | 1 | | | | |
| 7 | 90501-04596 | .SPRING, COMPRESSION | 3 | | | | |
| 8 | 1J7-15583-01 | .CAP, STARTER CLUTCH SPRING | 3 | | | | |
| 9 | 93615-12088 | .PIN, DOWEL | 3 | | | | |
| 10 | 91317-08020 | BOLT | 3 | | | | |


4DD1010-1120

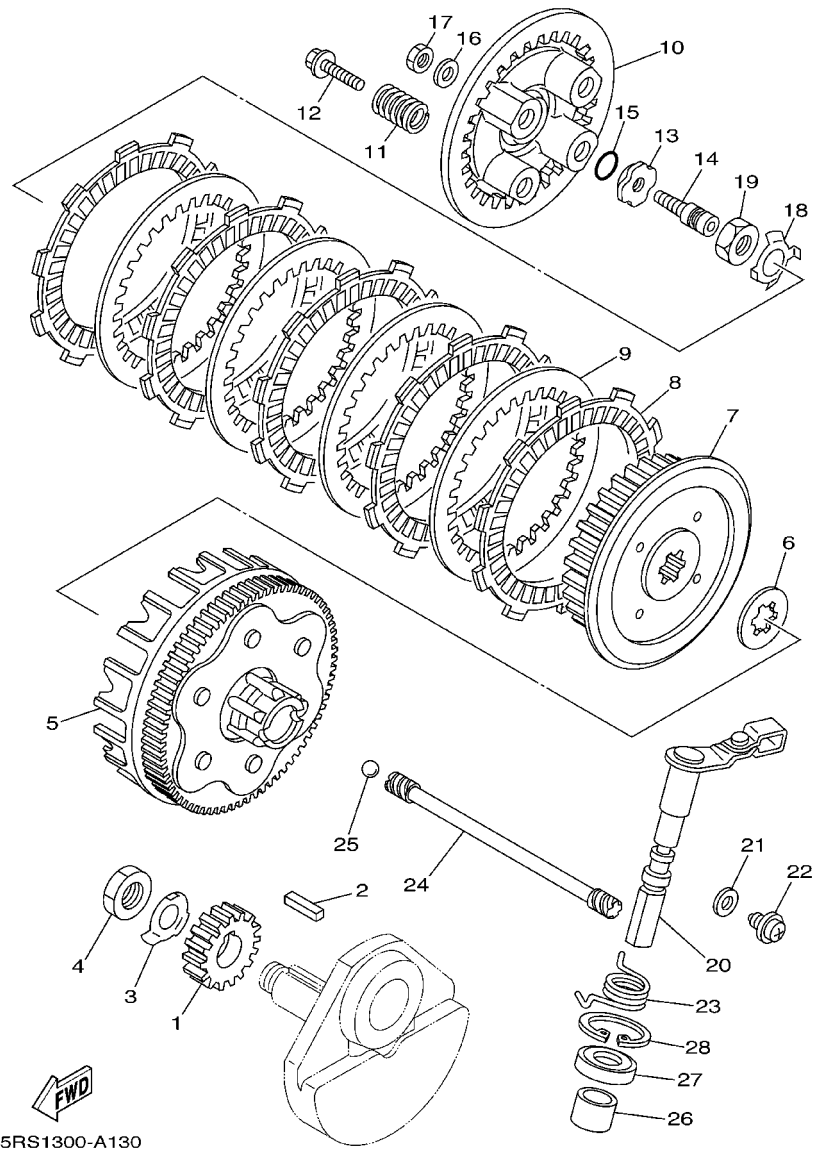
FIG. 13 CLUTCH



5RS1300-A130

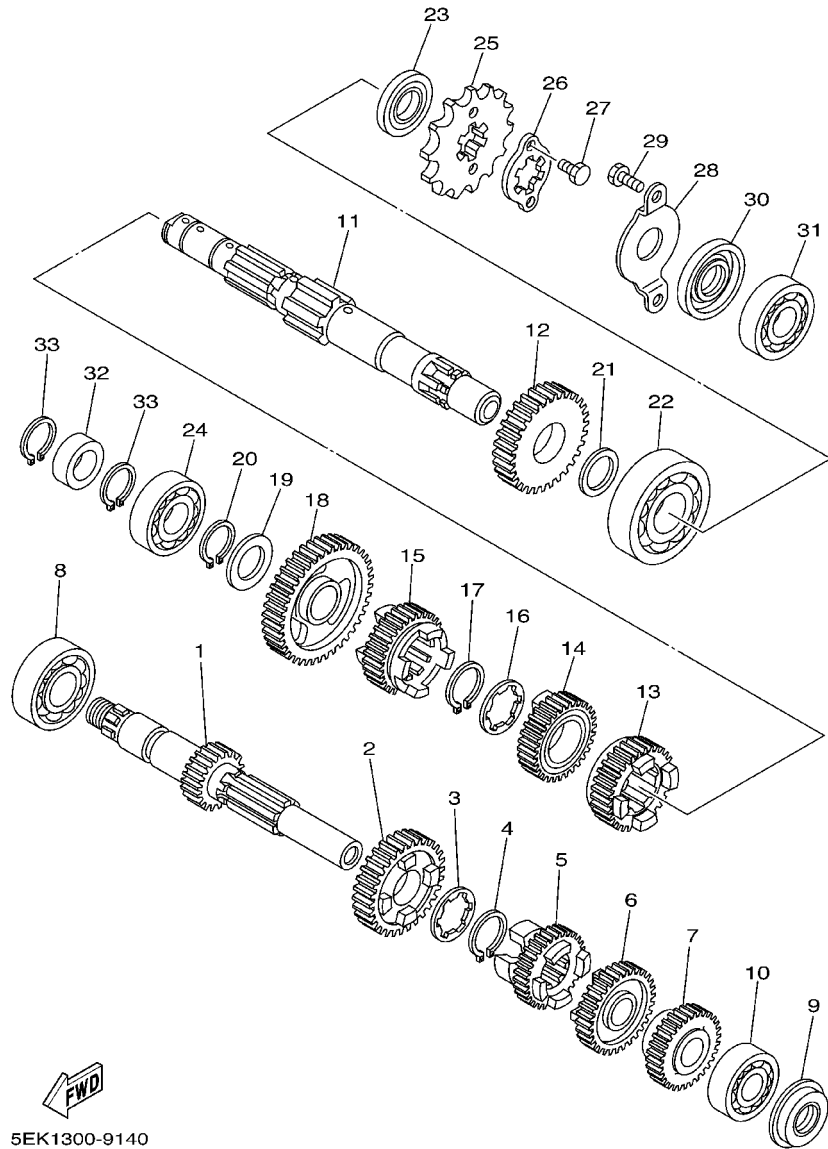
| REF. NO. | PART NO. | DESCRIPTION | 5RS1 | | | | REMARKS |
|----------|--------------|---------------------------|------|--|--|--|---------|
| 1 | 36X-16111-00 | GEAR, PRIMARY DRIVE | 1 | | | | |
| 2 | 90282-05043 | KEY, STRAIGHT | 1 | | | | |
| 3 | 90215-14205 | WASHER, LOCK | 1 | | | | |
| 4 | 90170-14284 | NUT | 1 | | | | |
| 5 | 36X-16150-00 | PRIMARY DRIVEN GEAR COMP. | 1 | | | | |
| 6 | 5H0-16154-00 | PLATE, THRUST 1 | 1 | | | | |
| 7 | 2JX-16371-00 | BOSS, CLUTCH | 1 | | | | |
| 8 | 537-16321-00 | PLATE, FRICTION | 5 | | | | |
| 9 | 137-16324-00 | PLATE, CLUTCH 1 | 4 | | | | |
| 10 | 5H0-16351-00 | PLATE, PRESSURE 1 | 1 | | | | |
| 11 | 90501-23630 | SPRING, COMPRESSION | 4 | | | | |
| 12 | 90159-05011 | SCREW, WITH WASHER | 4 | | | | |
| 13 | 1W1-16358-01 | PLATE, PUSH | 1 | | | | |
| 14 | 2JX-16356-00 | ROD, PUSH 1 | 1 | | | | |
| 15 | 93210-48364 | O-RING | 1 | | | | |
| 16 | 92907-06200 | WASHER | 1 | | | | |
| 17 | 95307-06600 | NUT | 1 | | | | |
| 18 | 90215-14186 | WASHER, LOCK | 1 | | | | |
| 19 | 90170-14284 | NUT | 1 | | | | |
| 20 | 15A-16380-00 | PUSH LEVER ASSY | 1 | | | | |
| 21 | 90430-08119 | GASKET | 1 | | | | |
| 22 | 90149-08067 | SCREW | 1 | | | | |
| 23 | 90508-18537 | SPRING, TORSION | 1 | | | | |
| 24 | 5H0-16357-00 | ROD, PUSH 2 | 1 | | | | |
| 25 | 93505-16006 | BALL | 1 | | | | |
| 26 | 90386-14103 | BUSH | 1 | | | | |
| 27 | 93102-14209 | OIL SEAL | 1 | | | | |

FIG. 13 CLUTCH



| REF. NO. | PART NO. | DESCRIPTION | 5RS1 | | | | REMARKS |
|----------|-------------|-------------|------|--|--|--|---------|
| 28 | 93420-28055 | CIRCLIP | 1 | | | | |
| | | | | | | | |
| | | | | | | | |
| | | | | | | | |
| | | | | | | | |
| | | | | | | | |
| | | | | | | | |
| | | | | | | | |
| | | | | | | | |
| | | | | | | | |

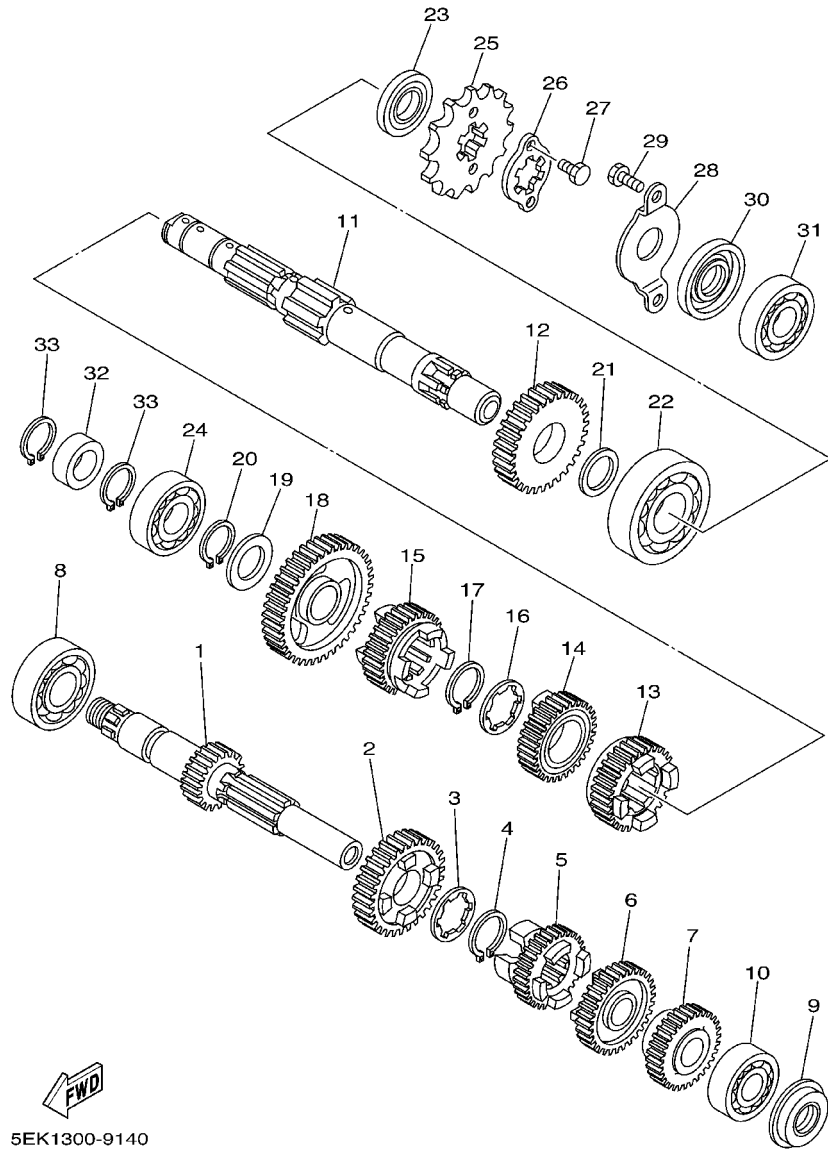
FIG. 14 TRANSMISSION



FWD
5EK1300-9140

| REF. NO. | PART NO. | DESCRIPTION | 5RS1 | | | | REMARKS |
|----------|--------------|------------------------|------|--|--|--|---------|
| 1 | 5H0-17411-01 | AXLE, MAIN (16T) | 1 | | | | |
| 2 | 5H0-17141-02 | GEAR, 4TH PINION (29T) | 1 | | | | |
| 3 | 90209-16209 | WASHER | 1 | | | | |
| 4 | 93410-20038 | CIRCLIP | 1 | | | | |
| 5 | 5N0-17131-00 | GEAR, 3RD PINION (24T) | 1 | | | | |
| 6 | 5N0-17141-01 | GEAR, 4TH PINION (27T) | 1 | | | | |
| 7 | 5N0-17121-00 | GEAR, 2ND PINION (21T) | 1 | | | | |
| 8 | 93306-20401 | BEARING (B6204) | 1 | | | | |
| 9 | 93101-15101 | OIL SEAL | 1 | | | | |
| 10 | 93306-20201 | BEARING (B6202) | 1 | | | | |
| 11 | 2JX-17402-00 | DRIVE AXLE ASSY | 1 | | | | |
| 12 | 5N0-17221-00 | GEAR, 2ND WHEEL (31T) | 1 | | | | |
| 13 | 5N0-17241-01 | GEAR, 4TH WHEEL (23T) | 1 | | | | |
| 14 | 5N0-17231-00 | GEAR, 3RD WHEEL (27T) | 1 | | | | |
| 15 | 5H0-17241-02 | GEAR, 4TH WHEEL (23T) | 1 | | | | |
| 16 | 90209-18208 | WASHER | 1 | | | | |
| 17 | 93410-22039 | CIRCLIP | 1 | | | | |
| 18 | 5H0-17211-01 | GEAR, 1ST WHEEL (36T) | 1 | | | | |
| 19 | 90201-17257 | WASHER, PLATE | 1 | | | | |
| 20 | 99009-17400 | CIRCLIP | 1 | | | | |
| 21 | 90201-220J8 | WASHER, PLATE | 1 | | | | |
| 22 | 93306-20580 | BEARING | 1 | | | | |
| 23 | 93102-22389 | OIL SEAL | 1 | | | | |
| 24 | 93306-20332 | BEARING | 1 | | | | |
| 25 | 93823-14149 | SPROCKET, DRIVE (14T) | 1 | | | | |
| 26 | 2JX-17456-00 | HOLDER, SPROCKET | 1 | | | | |
| 27 | 97007-05010 | BOLT | 2 | | | | |

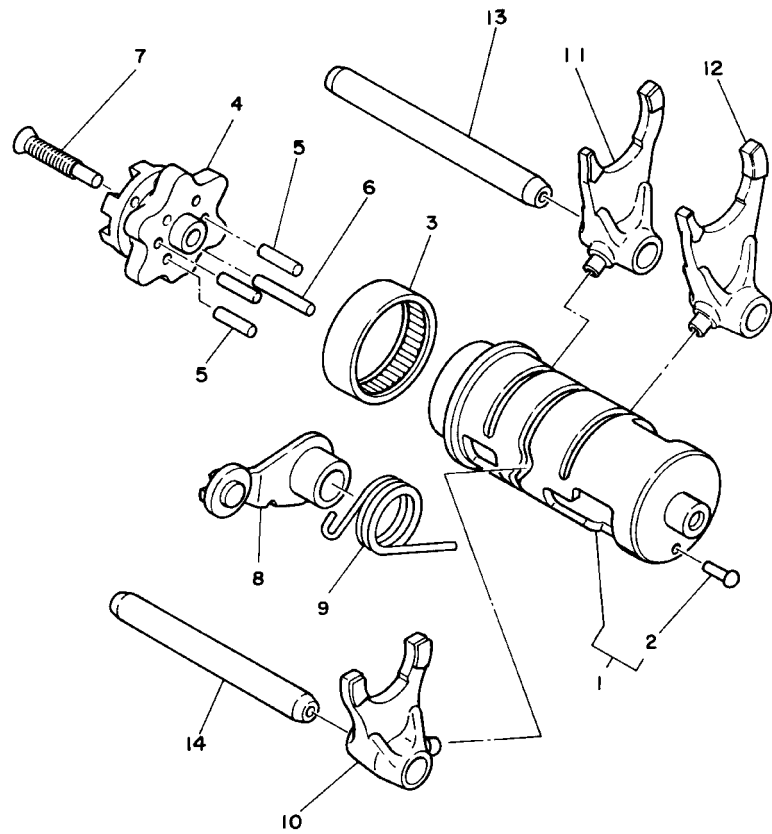
FIG. 14 TRANSMISSION



5EK1300-9140

| REF. NO. | PART NO. | DESCRIPTION | 5RS1 | | | | REMARKS |
|----------|--------------|-------------------|------|--|--|--|---------|
| 28 | 2JX-17471-00 | PLATE, COVER | 1 | | | | |
| 29 | 98507-06010 | SCREW, PAN HEAD | 2 | | | | |
| 30 | 93102-17187 | OIL SEAL | 1 | | | | |
| 31 | 93306-20313 | BEARING (B6203C4) | 1 | | | | |
| 32 | 90560-17368 | SPACER | 1 | | | | |
| 33 | 99009-17400 | CIRCLIP | 2 | | | | |
| | | | | | | | |
| | | | | | | | |
| | | | | | | | |
| | | | | | | | |
| | | | | | | | |
| | | | | | | | |

FIG. 15 SHIFT CAM. FORK

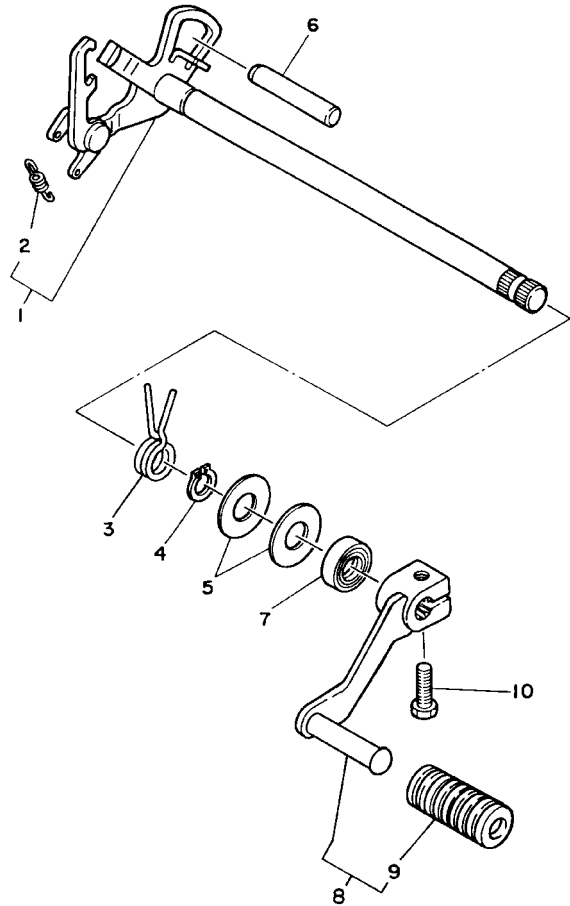


| REF. NO. | PART NO. | DESCRIPTION | 5RS1 | | | | REMARKS |
|----------|--------------|-------------------------|------|--|--|--|---------|
| 1 | 5N0-18540-00 | SHIFT CAM ASSY | 1 | | | | |
| 2 | 136-18542-00 | .POINT, NEUTRAL | 1 | | | | |
| 3 | 93315-23607 | BEARING | 1 | | | | |
| 4 | 1RH-18185-00 | SEGMENT | 1 | | | | |
| 5 | 93604-16092 | PIN, DOWEL | 3 | | | | |
| 6 | 93604-20156 | PIN, DOWEL | 1 | | | | |
| 7 | 90151-06013 | SCREW, COUNTERSUNK | 1 | | | | |
| 8 | 1RH-18140-00 | STOPPER LEVER ASSY | 1 | | | | |
| 9 | 90508-26539 | SPRING, TORSION | 1 | | | | |
| 10 | 4JG-18511-00 | FORK, SHIFT 1 | 1 | | | | |
| 11 | 4JG-18512-01 | FORK, SHIFT 2 | 1 | | | | |
| 12 | 4JG-18513-00 | FORK, SHIFT 3 | 1 | | | | |
| 13 | 3GX-18531-00 | BAR, SHIFT FORK GUIDE 1 | 1 | | | | |
| 14 | 3GX-18535-00 | BAR, SHIFT FORK GUIDE 2 | 1 | | | | |



5N0010-0170

FIG. 16 SHIFT SHAFT

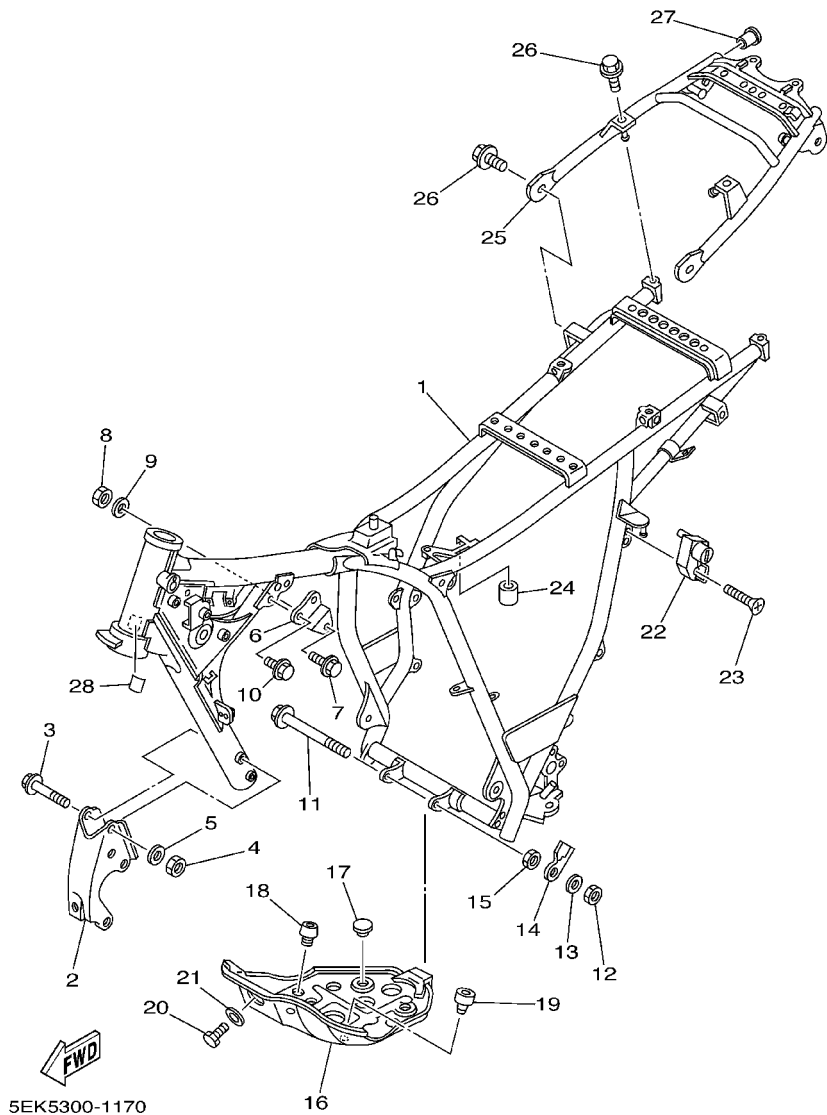


| REF. NO. | PART NO. | DESCRIPTION | 5RS1 | | | | REMARKS |
|----------|--------------|--------------------------|------|--|--|--|---------|
| 1 | 5H0-18120-02 | SHIFT LEVER ASSY | 1 | | | | |
| 2 | 90506-08227 | .SPRING, TENSION | 1 | | | | |
| 3 | 90508-29540 | SPRING, TORSION | 1 | | | | |
| 4 | 99001-10600 | CIRCLIP | 1 | | | | |
| 5 | 90201-12588 | WASHER, PLATE | 2 | | | | |
| 6 | 93608-50158 | PIN, DOWEL | 1 | | | | |
| 7 | 93102-12106 | OIL SEAL (SD 12-22-5 HS) | 1 | | | | |
| 8 | 1RL-18110-00 | SHIFT PEDAL ASSY | 1 | | | | |
| 9 | 132-18113-01 | .COVER, SHIFT PEDAL | 1 | | | | |
| 10 | 97027-06020 | BOLT | 1 | | | | |



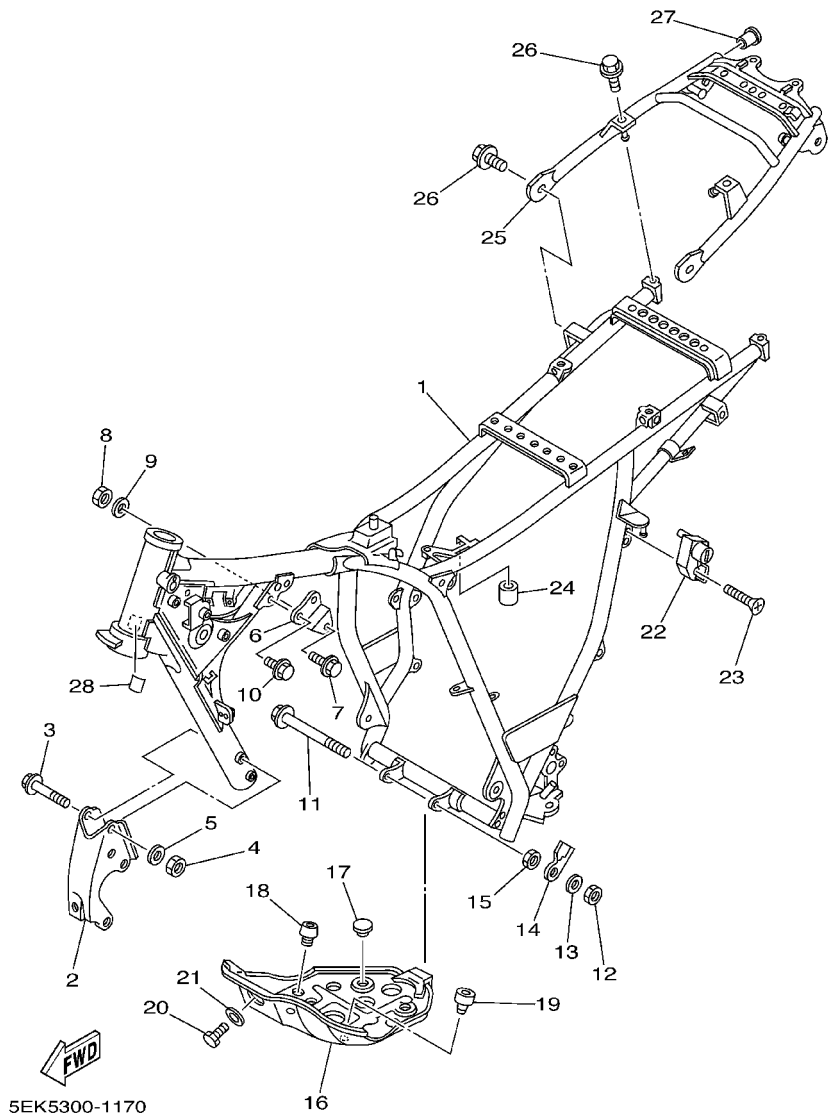
25A310-3170

FIG. 17 FRAME



| REF. NO. | PART NO. | DESCRIPTION | 5RS1 | | | | REMARKS |
|----------|-----------------|---------------------|------|--|--|--|---------|
| 1 | 5EK-21110-10 | FRAME COMP. | 1 | | | | |
| 2 | 1RL-21316-00-33 | STAY, ENGINE 3 | 1 | | | | YB |
| 3 | 95817-08065 | BOLT, FLANGE | 4 | | | | |
| 4 | 90185-08089 | NUT, SELF-LOCKING | 4 | | | | |
| 5 | 90201-08366 | WASHER, PLATE | 4 | | | | |
| 6 | 2JX-21315-00 | STAY, ENGINE 2 | 1 | | | | |
| 7 | 95817-08050 | BOLT, FLANGE | 1 | | | | |
| 8 | 90185-08089 | NUT, SELF-LOCKING | 1 | | | | |
| 9 | 90201-08366 | WASHER, PLATE | 1 | | | | |
| 10 | 90105-08066 | BOLT, FLANGE | 2 | | | | |
| 11 | 95817-08120 | BOLT, FLANGE | 1 | | | | |
| 12 | 90185-08089 | NUT, SELF-LOCKING | 1 | | | | |
| 13 | 90201-08366 | WASHER, PLATE | 1 | | | | |
| 14 | 1RL-21337-00 | CLAMP, CABLE | 1 | | | | |
| 15 | 90185-08055 | NUT, SELF-LOCKING | 1 | | | | |
| 16 | 1RL-21471-00-35 | PROTECTOR, ENGINE | 1 | | | | SL |
| 17 | 128-27114-00 | STOPPER, MAIN STAND | 2 | | | | |
| 18 | 34L-21485-00 | DAMPER, RUBBER 1 | 1 | | | | |
| 19 | 4N0-27114-00 | STOPPER, MAIN STAND | 1 | | | | |
| 20 | 97007-06016 | BOLT | 1 | | | | |
| 21 | 92907-06600 | WASHER, PLATE | 1 | | | | |
| 22 | 4R8-21308-00 | HELMET HANGER ASSY | 1 | | | | |
| 23 | 90151-06038 | SCREW, COUNTERSUNK | 1 | | | | |
| 24 | 90480-12299 | GROMMET | 1 | | | | |
| 25 | 2JX-21190-00-33 | REAR FRAME COMP. | 1 | | | | YB |
| 26 | 95827-06012 | BOLT, FLANGE | 4 | | | | |
| 27 | 90338-12081 | PLUG | 2 | | | | |

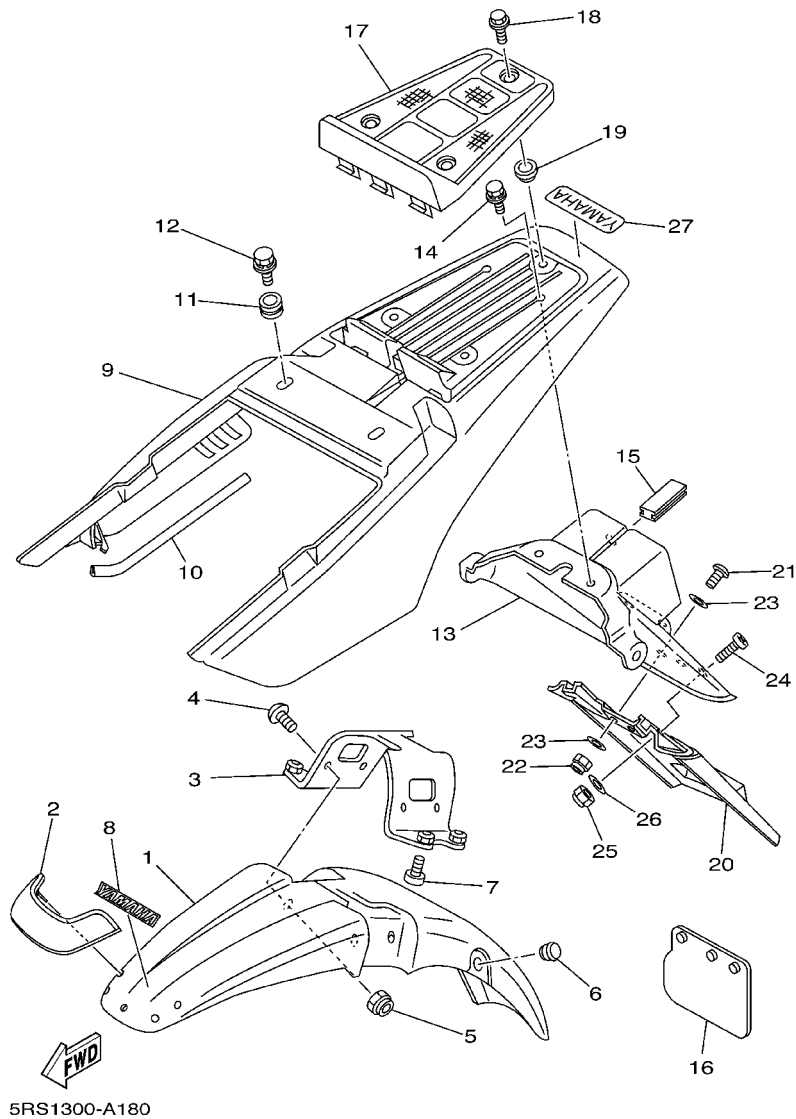
FIG. 17 FRAME



5EK5300-1170

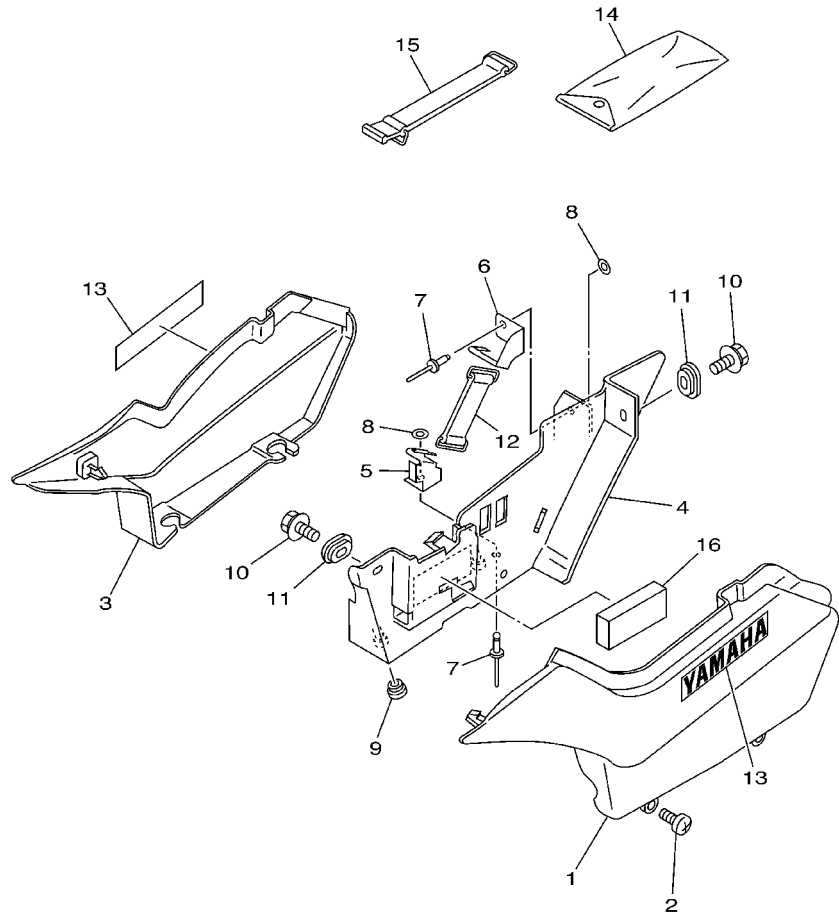
| REF. NO. | PART NO. | DESCRIPTION | 5RS1 | | | | REMARKS |
|----------|--------------|-------------|------|--|--|--|---------|
| 28 | 3MA-27491-00 | PROTECTOR | 1 | | | | |
| | | | | | | | |
| | | | | | | | |
| | | | | | | | |
| | | | | | | | |
| | | | | | | | |
| | | | | | | | |
| | | | | | | | |
| | | | | | | | |

FIG. 18 FENDER



| REF. NO. | PART NO. | DESCRIPTION | 5RS1 | | | | REMARKS |
|----------|--------------|---------------------------|------|--|--|--|---------|
| 1 | 5RS-21511-00 | FENDER, FRONT | 1 | | | | |
| 2 | 5RS-21519-00 | MOLE, FENDER | 1 | | | | |
| 3 | 5RS-21512-00 | BRACKET, FENDER | 1 | | | | |
| 4 | 90154-05004 | SCREW, BINDING | 4 | | | | |
| 5 | 95607-05200 | NUT, U FLANGE | 4 | | | | |
| 6 | 90338-12192 | PLUG | 1 | | | | |
| 7 | 90110-06181 | BOLT, HEXAGON SOCKET HEAD | 4 | | | | |
| 8 | 3WF-2153E-70 | EMBLEM, YAMAHA | 1 | | | | |
| 9 | 2YG-21611-00 | FENDER, REAR | 1 | | | | YB |
| 10 | 5RS-24188-00 | MOLD, FUEL TANK | 1 | | | | |
| 11 | 90480-12053 | GROMMET | 2 | | | | |
| 12 | 90119-06063 | BOLT, WITH WASHER | 4 | | | | |
| 13 | 5EK-21685-00 | BRACKET, LICENSE | 1 | | | | |
| 14 | 90119-06056 | BOLT, WITH WASHER | 2 | | | | |
| 15 | 2JX-21669-00 | SEAL | 1 | | | | |
| 16 | 34X-21691-00 | FLAP | 1 | | | | |
| 17 | 2JX-21651-10 | COVER, REAR FENDER | 1 | | | | |
| 18 | 95024-06014 | BOLT, FLANGE | 3 | | | | |
| 19 | 90387-06681 | COLLAR | 3 | | | | |
| 20 | 5EK-21621-00 | FLAP | 1 | | | | |
| 21 | 98907-04012 | SCREW, BIND | 2 | | | | |
| 22 | 95607-04100 | NUT, U | 2 | | | | |
| 23 | 92907-04200 | WASHER | 4 | | | | |
| 24 | 98907-05020 | SCREW, BIND | 2 | | | | |
| 25 | 95607-05100 | NUT, U | 2 | | | | |
| 26 | 92907-05600 | WASHER, PLATE | 2 | | | | |
| 27 | 99247-00080 | EMBLEM, YAMAHA | 1 | | | | |

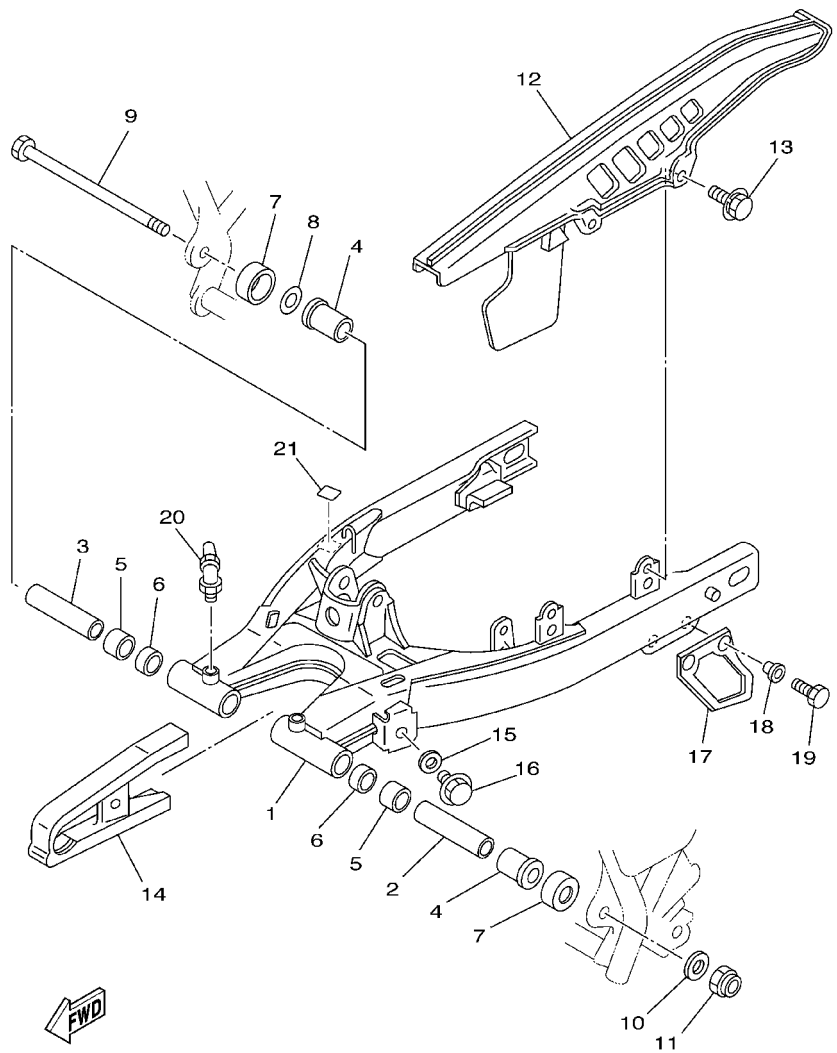
FIG. 19 SIDE COVER



| REF. NO. | PART NO. | DESCRIPTION | 5RS1 | | | | REMARKS |
|----------|-----------------|-------------------|------|--|--|--|---------|
| 1 | 2YG-21711-00-0X | COVER, SIDE 1 | 1 | | | | LGB |
| 2 | 90154-05013 | SCREW, BINDING | 2 | | | | |
| 3 | 2YG-21721-00-0X | COVER, SIDE 2 | 1 | | | | LGB |
| 4 | 5EK-2177A-00 | BOX | 1 | | | | |
| 5 | 5EK-2175T-00 | BRACKET 1 | 1 | | | | |
| 6 | 5EK-2175U-00 | BRACKET 2 | 1 | | | | |
| 7 | 90267-40075 | RIVET, BLIND | 2 | | | | |
| 8 | 90201-04018 | WASHER, PLATE | 2 | | | | |
| 9 | 90480-13197 | GROMMET | 2 | | | | |
| 10 | 90119-06056 | BOLT, WITH WASHER | 2 | | | | |
| 11 | 90480-01141 | GROMMET | 2 | | | | |
| 12 | 116-82131-00 | BAND, BATTERY | 1 | | | | |
| 13 | 99247-00100 | EMBLEM, YAMAHA | 2 | | | | |
| 14 | 2JX-28100-00 | TOOL KIT | 1 | | | | |
| 15 | 3TJ-82131-00 | BAND, BATTERY | 1 | | | | |
| 16 | 1YW-21638-00 | DAMPER 1 | 1 | | | | |



5RS1300-A190

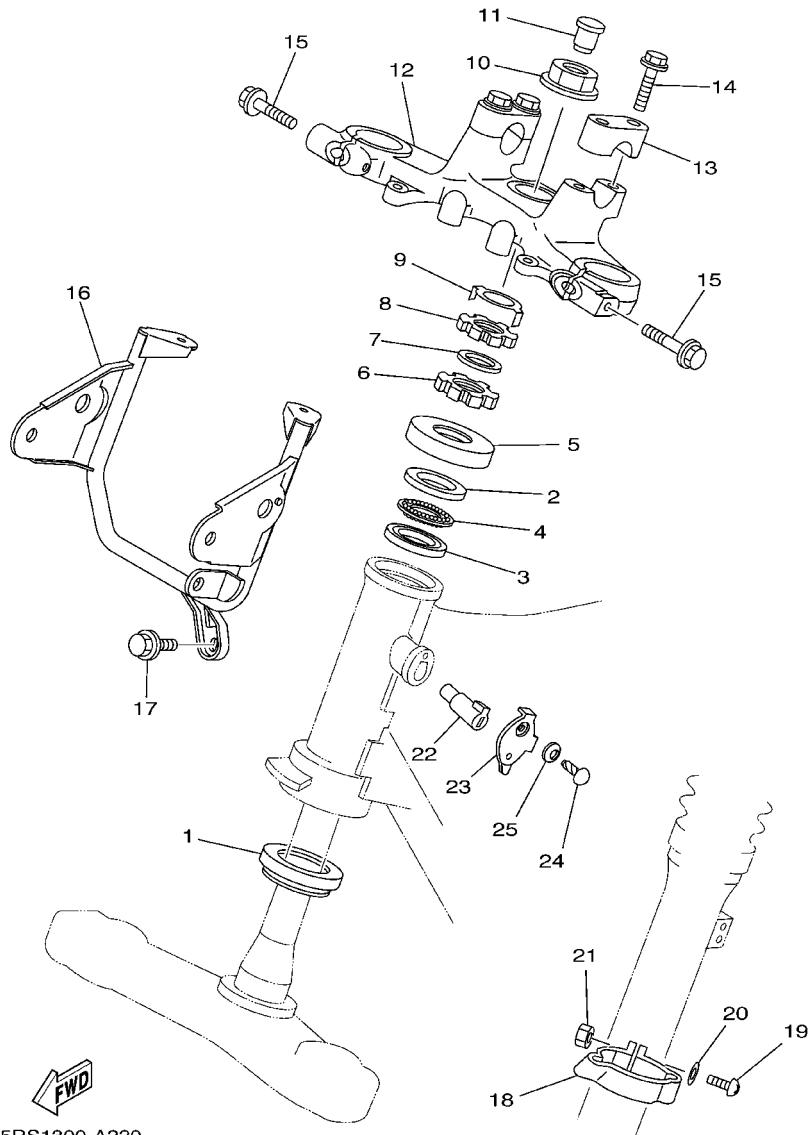


5EK5300-1200

FIG. 20 REAR ARM

| REF. NO. | PART NO. | DESCRIPTION | 5RS1 | | | | REMARKS |
|----------|--------------|-------------------|------|--|--|--|---------|
| 1 | 5RS-22110-00 | REAR ARM COMP. | 1 | | | | |
| 2 | 2JX-22123-00 | BUSH 1 | 1 | | | | |
| 3 | 2JX-22124-00 | BUSH 2 | 1 | | | | |
| 4 | 90386-18146 | BUSH | 2 | | | | |
| 5 | 90380-18139 | BUSH, SOLID | 2 | | | | |
| 6 | 93109-18020 | OIL SEAL | 2 | | | | |
| 7 | 401-22128-01 | SEAL, GUARD | 2 | | | | |
| 8 | 401-22127-00 | SHIM | 1 | | | | UN |
| 9 | 2JX-22141-00 | SHAFT, PIVOT | 1 | | | | |
| 10 | 90201-120E8 | WASHER, PLATE | 1 | | | | |
| 11 | 90185-12134 | NUT, SELF-LOCKING | 1 | | | | |
| 12 | 34X-22311-00 | CASE, CHAIN | 1 | | | | |
| 13 | 90119-05059 | BOLT, WITH WASHER | 2 | | | | |
| 14 | 34X-22151-01 | SEAL, GUARD | 1 | | | | |
| 15 | 90209-06187 | WASHER | 1 | | | | |
| 16 | 90119-05062 | BOLT, WITH WASHER | 1 | | | | |
| 17 | 38V-22199-00 | SUPPORT, CHAIN | 1 | | | | |
| 18 | 90387-06737 | COLLAR | 2 | | | | |
| 19 | 97007-06020 | BOLT | 2 | | | | |
| 20 | 93700-06009 | NIPPLE, GREASE | 2 | | | | |
| 21 | 3MA-27491-00 | PROTECTOR | 1 | | | | |

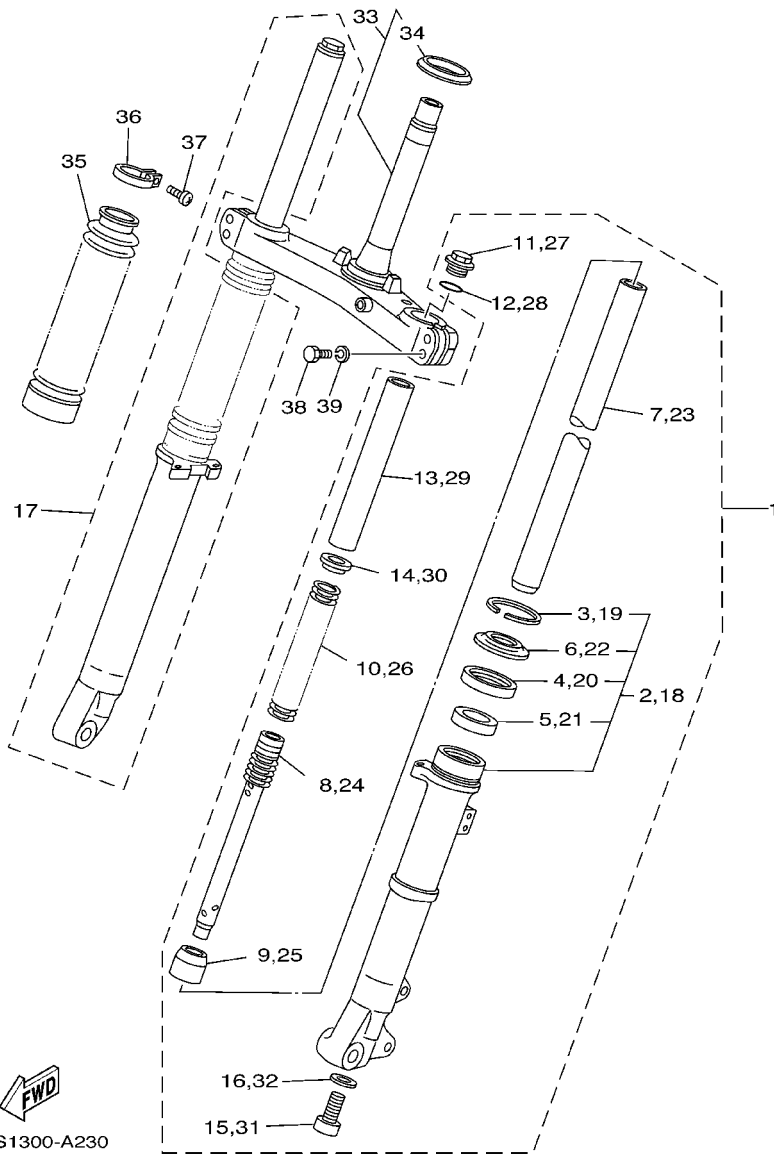
FIG. 22 STEERING



5RS1300-A220

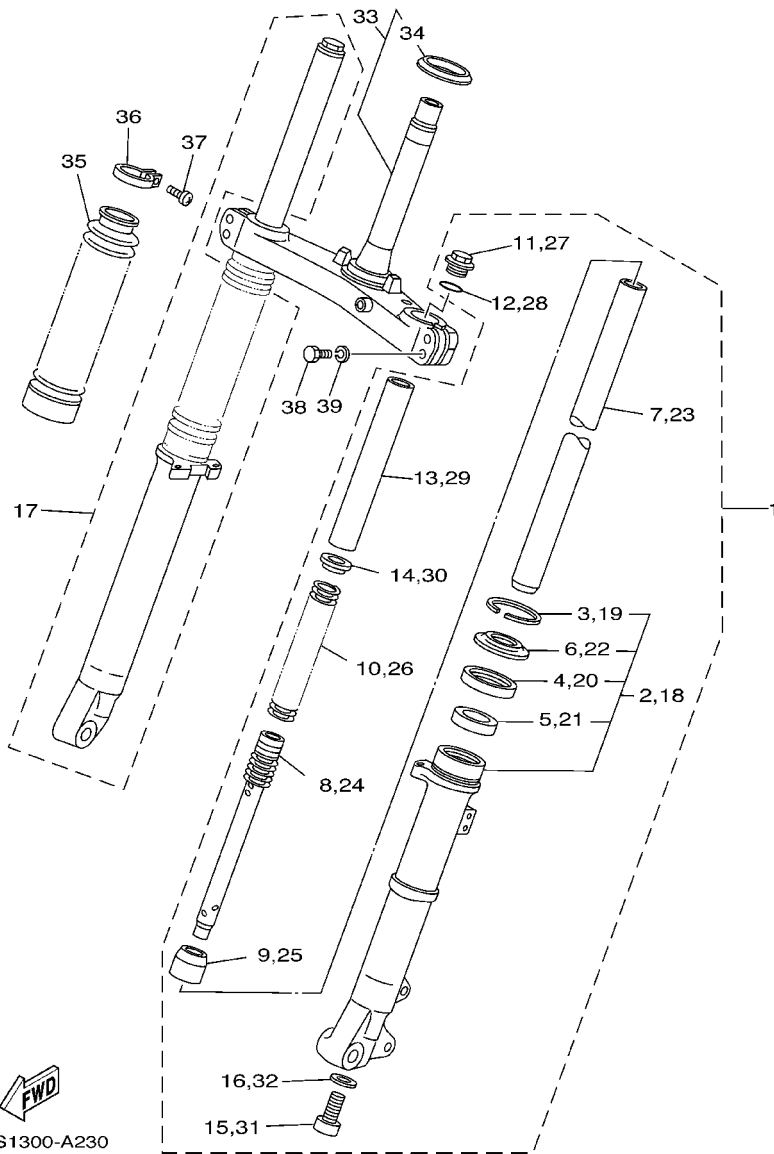
| REF. NO. | PART NO. | DESCRIPTION | 5RS1 | | | | REMARKS |
|----------|-----------------|------------------------|------|--|--|--|---------|
| 1 | 93399-99942 | BEARING | 1 | | | | |
| 2 | 22F-23411-01 | RACE, BALL 1 | 1 | | | | |
| 3 | 22F-23412-01 | RACE, BALL 2 | 1 | | | | |
| 4 | 22F-2341E-00 | RETAINER, BALL BEARING | 1 | | | | |
| 5 | 36X-23416-00 | COVER, BALL RACE 2 | 1 | | | | |
| 6 | 90179-25033 | NUT | 1 | | | | |
| 7 | 90202-26142 | WASHER, PLATE | 1 | | | | |
| 8 | 90179-25615 | NUT | 1 | | | | |
| 9 | 3YF-23418-00 | WASHER, SPECIAL | 1 | | | | |
| 10 | 90179-22412 | NUT | 1 | | | | |
| 11 | 90338-16148 | PLUG | 1 | | | | |
| 12 | 2JX-23435-00-35 | CROWN, HANDLE | 1 | | | | SL |
| 13 | 1E6-23441-10-35 | HOLDER, HANDLE UPPER | 2 | | | | SL |
| 14 | 95824-08035 | BOLT, FLANGE | 4 | | | | |
| 15 | 95024-08050 | BOLT, FLANGE | 2 | | | | |
| 16 | 5RS-23174-00 | STAY, HEADLIGHT | 1 | | | | |
| 17 | 95807-06012 | BOLT, FLANGE | 1 | | | | |
| 18 | 34X-23317-00 | HOLDER, CABLE | 1 | | | | |
| 19 | 98507-05018 | SCREW, PAN HEAD | 1 | | | | |
| 20 | 92907-05600 | WASHER, PLATE | 1 | | | | |
| 21 | 95307-05600 | NUT | 1 | | | | |
| 22 | * | STEERING LOCK ASSY | 1 | | | | LM |
| 23 | 134-23484-10 | CAP, HANDLE LOCK | 1 | | | | |
| 24 | 90269-04003 | RIVET | 1 | | | | |
| 25 | 90208-04029 | WASHER, CONICAL SPRING | 1 | | | | |

FIG. 23 FRONT FORK



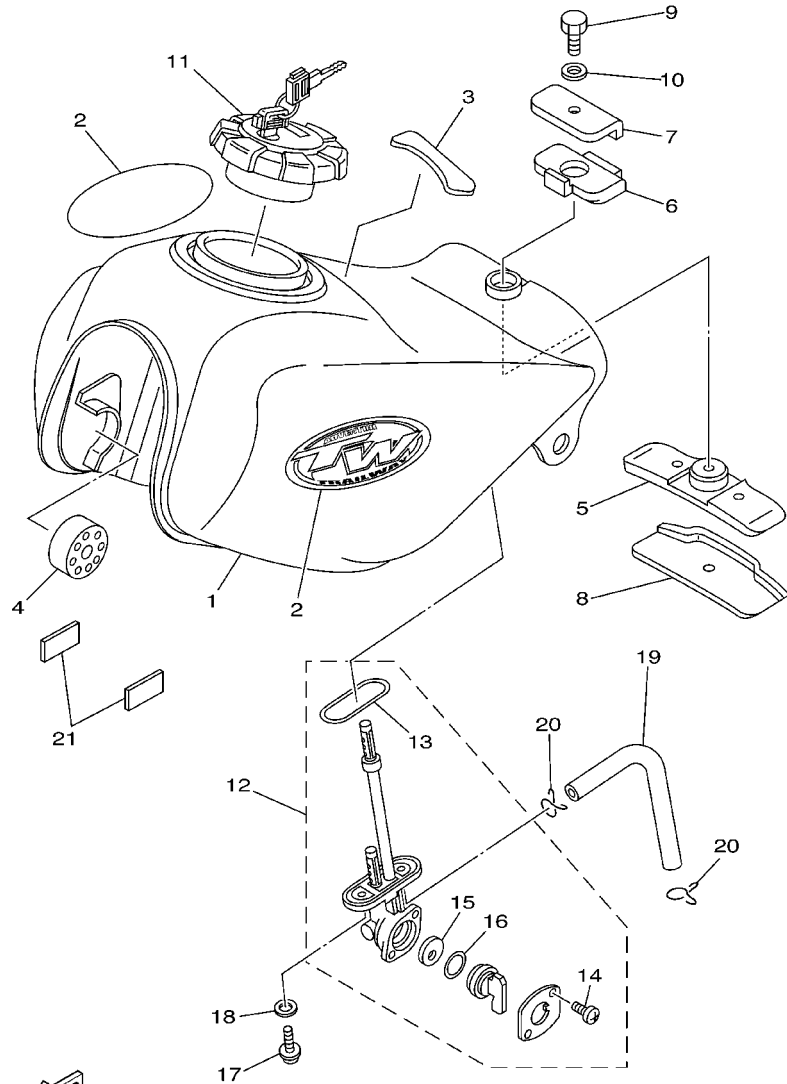
| REF. NO. | PART NO. | DESCRIPTION | 5RS1 | | | | REMARKS |
|----------|--------------|-----------------------------|------|--|--|--|---------|
| 1 | 5RS-23102-00 | FRONT FORK ASSY (L.H) | 1 | | | | |
| 2 | 5EK-23126-00 | .TUBE, OUTER (LEFT) | 1 | | | | |
| 3 | 22W-23153-L0 | ..RING, SNAP | 1 | | | | |
| 4 | 22W-23145-L0 | ..OIL SEAL | 1 | | | | |
| 5 | 51Y-23125-00 | ..METAL, SLIDE 1 | 1 | | | | |
| 6 | 54G-23144-00 | ..SEAL, DUST | 1 | | | | |
| 7 | 5RS-23110-00 | .INNER TUBE COMP.1 | 1 | | | | |
| 8 | 5RS-23170-00 | .CYLINDER COMP., FRONT FORK | 1 | | | | |
| 9 | 3R6-23173-L0 | .SPINDLE, TAPER | 1 | | | | |
| 10 | 5RS-23141-00 | .SPRING, FRONT FORK | 1 | | | | |
| 11 | 2JN-23111-00 | .BOLT, CAP | 1 | | | | |
| 12 | 3J2-23114-00 | .O-RING | 1 | | | | |
| 13 | 22U-23118-01 | .SPACER | 1 | | | | |
| 14 | 3DM-23149-10 | .WASHER, SPRING UPPER | 1 | | | | |
| 15 | 278-23181-50 | .BOLT, HEXAGON SOCKET HEAD | 1 | | | | |
| 16 | 509-23158-L0 | .GASKET | 1 | | | | |
| 17 | 5RS-23103-00 | FRONT FORK ASSY (R.H) | 1 | | | | |
| 18 | 5EK-23136-00 | .TUBE, OUTER (RIGHT) | 1 | | | | |
| 19 | 22W-23153-L0 | ..RING, SNAP | 1 | | | | |
| 20 | 22W-23145-L0 | ..OIL SEAL | 1 | | | | |
| 21 | 51Y-23125-00 | ..METAL, SLIDE 1 | 1 | | | | |
| 22 | 54G-23144-00 | ..SEAL, DUST | 1 | | | | |
| 23 | 5RS-23110-00 | .INNER TUBE COMP.1 | 1 | | | | |
| 24 | 5RS-23170-00 | .CYLINDER COMP., FRONT FORK | 1 | | | | |
| 25 | 3R6-23173-L0 | .SPINDLE, TAPER | 1 | | | | |
| 26 | 5RS-23141-00 | .SPRING, FRONT FORK | 1 | | | | |
| 27 | 2JN-23111-00 | .BOLT, CAP | 1 | | | | |

FIG. 23 FRONT FORK



| REF. NO. | PART NO. | DESCRIPTION | 5RS1 | | | | REMARKS |
|----------|--------------|----------------------------|------|--|--|--|---------|
| 28 | 3J2-23114-00 | .O-RING | 1 | | | | |
| 29 | 22U-23118-01 | .SPACER | 1 | | | | |
| 30 | 3DM-23149-10 | .WASHER, SPRING UPPER | 1 | | | | |
| 31 | 278-23181-50 | .BOLT, HEXAGON SOCKET HEAD | 1 | | | | |
| 32 | 509-23158-L0 | .GASKET | 1 | | | | |
| 33 | 5EK-23340-00 | UNDER BRACKET COMP. | 1 | | | | |
| 34 | 164-23462-00 | .SEAL, STEERING | 1 | | | | |
| 35 | 4CS-23191-20 | BOOT | 2 | | | | |
| 36 | 2K5-23192-00 | BAND | 2 | | | | |
| 37 | 1W4-23194-L0 | SCREW, BOOT BAND | 2 | | | | |
| 38 | 97321-08035 | BOLT | 4 | | | | |
| 39 | 92901-08100 | WASHER, SPRING | 4 | | | | |

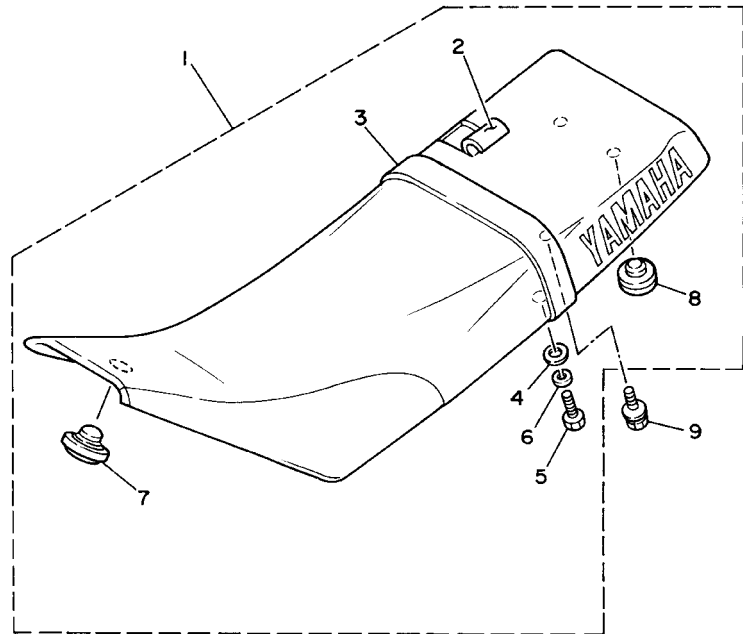
FIG. 24 FUEL TANK



5RS1300-A240

| REF. NO. | PART NO. | DESCRIPTION | 5RS1 | | | | REMARKS |
|----------|-----------------|----------------------|------|--|--|--|----------|
| 1 | 5RS-YK241-00-P0 | FUEL TANK COMP. | 1 | | | | UR DVMA |
| | 5RS-YK241-00-P1 | FUEL TANK COMP. | 1 | | | | UR DNGM3 |
| | 5RS-YK241-00-P2 | FUEL TANK COMP. | 1 | | | | UR LYNM9 |
| 2 | 5LB-2416B-40 | EMBLEM | 2 | | | | |
| 3 | 5RS-24141-00 | PROTECTOR, FUEL TANK | 1 | | | | |
| 4 | 4L0-24181-00 | DAMPER, LOCATING 1 | 2 | | | | |
| 5 | 30X-24182-01 | DAMPER, LOCATING 2 | 1 | | | | |
| 6 | 30X-24183-01 | DAMPER, LOCATING 3 | 1 | | | | |
| 7 | 30X-24186-01 | WASHER, SPECIAL | 1 | | | | |
| 8 | 30X-24187-00 | WASHER, SPECIAL | 1 | | | | |
| 9 | 97007-06012 | BOLT | 1 | | | | |
| 10 | 92907-06600 | WASHER, PLATE | 1 | | | | |
| 11 | 11H-24602-03 | CAP ASSY | 1 | | | | |
| 12 | 23F-24500-01 | FUEL COCK ASSY 1 | 1 | | | | |
| 13 | 4X8-24512-00 | .O-RING | 1 | | | | |
| 14 | 97801-03008 | .SCREW, PAN HEAD | 2 | | | | |
| 15 | 3AJ-24523-00 | .VALVE PACKING | 1 | | | | |
| 16 | 3AJ-24534-00 | .SEAL, COCK | 1 | | | | |
| 17 | 90149-06011 | SCREW | 2 | | | | |
| 18 | 90202-05193 | WASHER, PLATE | 2 | | | | |
| 19 | 90445-10458 | HOSE (L130) | 1 | | | | |
| 20 | 90467-09006 | CLIP | 2 | | | | |
| 21 | 2JX-24141-00 | PROTECTOR, FUEL TANK | 2 | | | | |

FIG. 25 SEAT

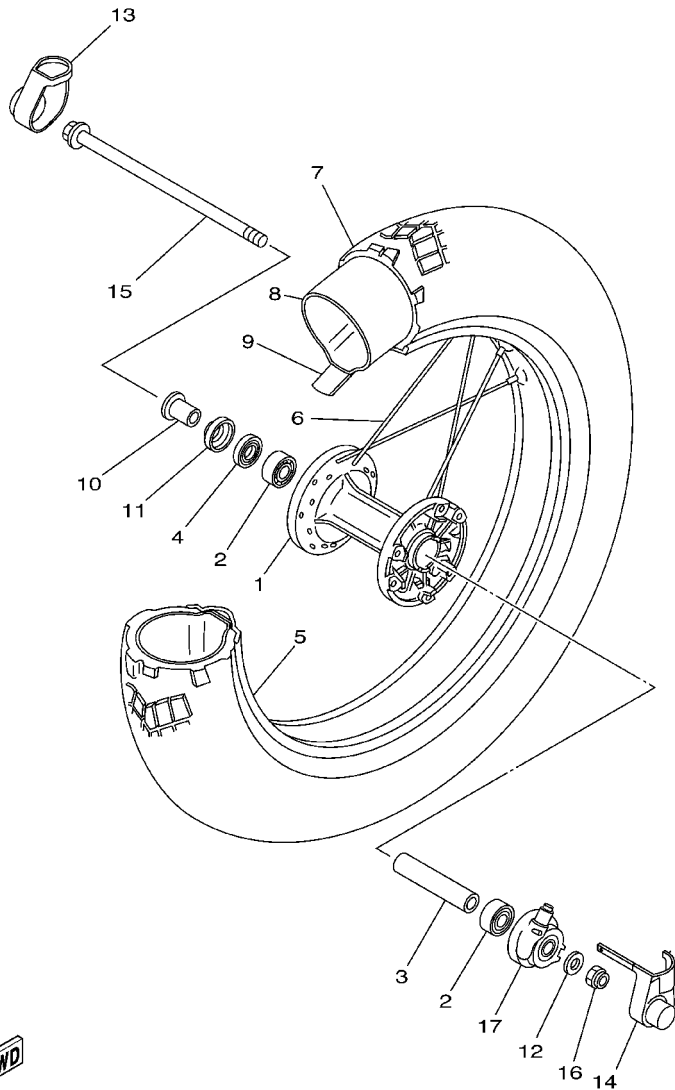


| REF. NO. | PART NO. | DESCRIPTION | 5RS1 | | | | REMARKS |
|----------|--------------|-----------------------|------|--|--|--|---------|
| 1 | 5LB-24770-00 | SEMI-DOUBLE SEAT ASSY | 1 | | | | |
| 2 | 5LB-24731-00 | .COVER, SEAT | 1 | | | | |
| 3 | 5LB-24734-00 | .BAND, SEAT | 1 | | | | |
| 4 | 90201-06765 | .WASHER, PLATE | 2 | | | | |
| 5 | 97017-06020 | .BOLT | 2 | | | | |
| 6 | 92907-06100 | .WASHER, SPRING | 2 | | | | |
| 7 | 18A-24723-00 | .DAMPER, SEAT | 1 | | | | |
| 8 | 1L9-24741-A0 | .PAD, SEAT | 1 | | | | |
| 9 | 90119-06063 | BOLT, WITH WASHER | 2 | | | | |
| | | | | | | | |
| | | | | | | | |
| | | | | | | | |
| | | | | | | | |
| | | | | | | | |
| | | | | | | | |



2JY110-7250

FIG. 26 FRONT WHEEL

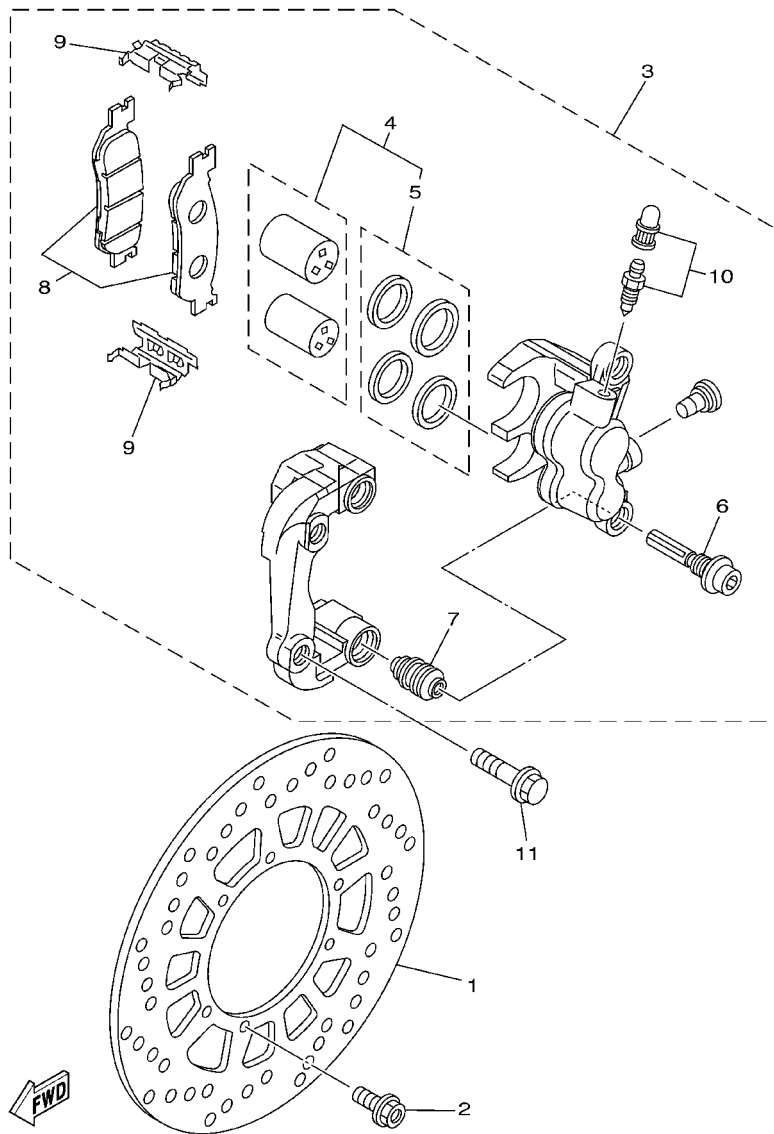


| REF. NO. | PART NO. | DESCRIPTION | 5RS1 | | | | REMARKS |
|----------|--------------|--------------------------------|------|--|--|--|-------------|
| 1 | 5EK-25111-00 | HUB, FRONT | 1 | | | | |
| 2 | 93306-20203 | BEARING (B6202RS) | 2 | | | | |
| 3 | 90560-15312 | SPACER | 1 | | | | |
| 4 | 93102-20281 | OIL SEAL (SD 20-35-5) | 1 | | | | |
| 5 | 94425-18603 | RIM (2.50-18) | 1 | | | | |
| 6 | 4TP-25304-10 | SPOKE SET, REAR | 1 | | | | |
| 7 | 94113-18009 | TIRE (130/80-18M/C 66P TW-203) | 1 | | | | BRIDGESTONE |
| 8 | 94213-18232 | TUBE (130/80-18 TR4) | 1 | | | | BRIDGESTONE |
| 9 | 94340-18086 | BAND, RIM (4.00-18) | 1 | | | | BRIDGESTONE |
| 10 | 90387-15600 | COLLAR | 1 | | | | |
| 11 | 322-25118-00 | COVER, HUB DUST | 1 | | | | |
| 12 | 90201-14740 | WASHER, PLATE | 1 | | | | |
| 13 | 5RS-2512A-00 | CAP, WHEEL | 1 | | | | |
| 14 | 5RS-25188-00 | CAP | 1 | | | | |
| 15 | 2JX-25181-10 | AXLE, WHEEL | 1 | | | | |
| 16 | 95607-14100 | NUT, U | 1 | | | | |
| 17 | 5EK-25190-00 | GEAR UNIT ASSY | 1 | | | | |



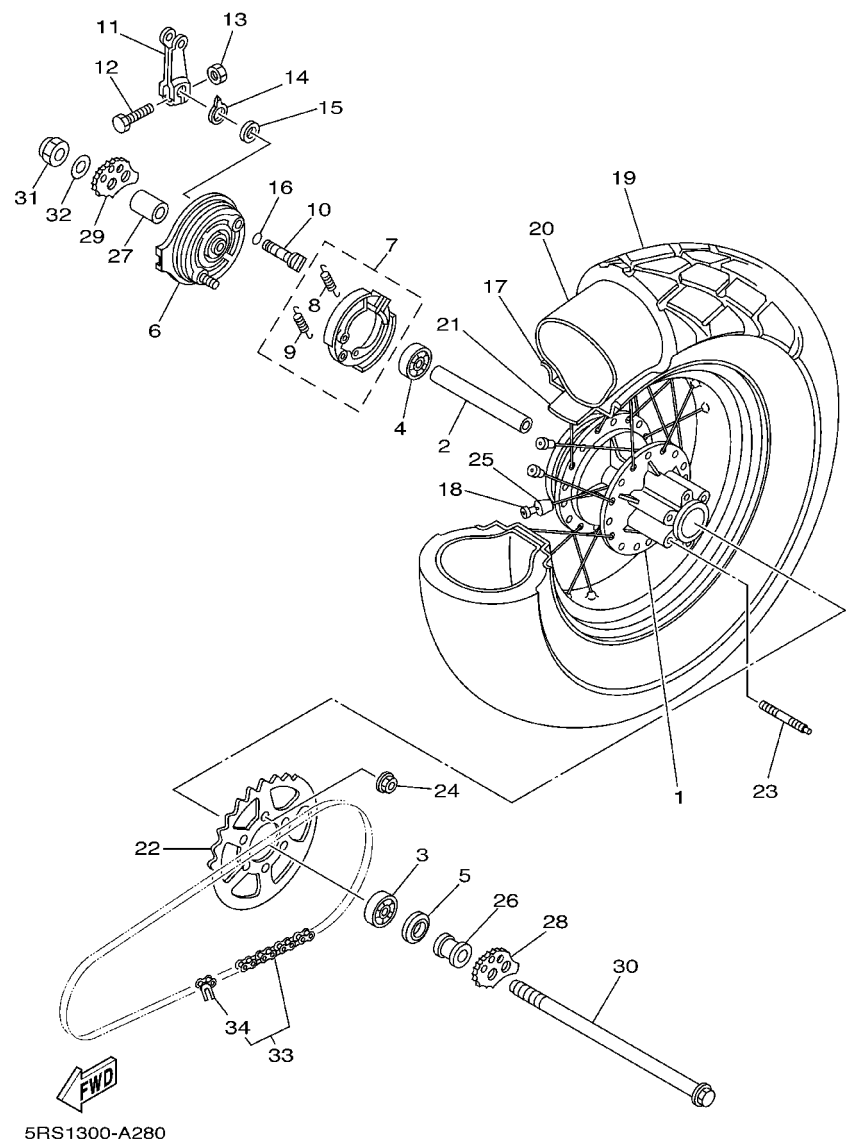
5RS1300-A260

FIG. 27 FRONT BRAKE CALIPER



5EK1300-9270

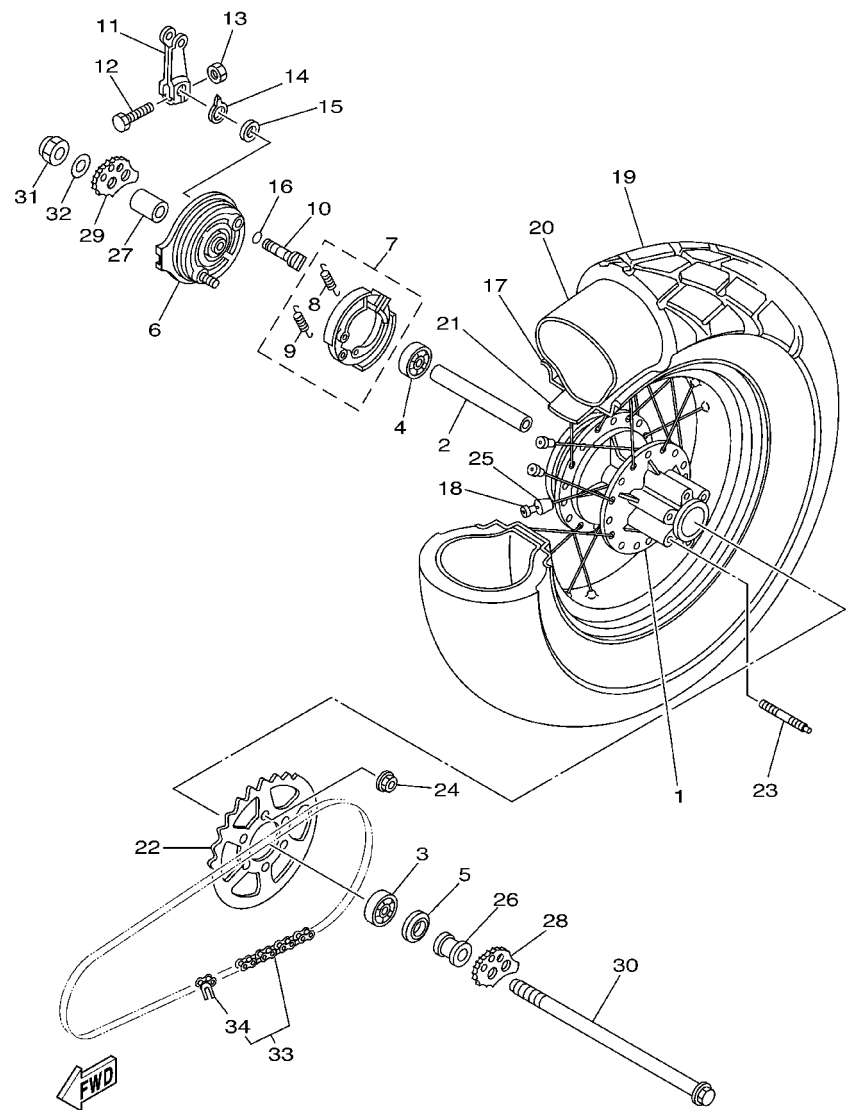
| REF. NO. | PART NO. | DESCRIPTION | 5RS1 | | | | REMARKS |
|----------|--------------|-----------------------|------|--|--|--|---------|
| 1 | 4JG-2582T-10 | DISC, BRAKE | 1 | | | | |
| 2 | 90109-065G4 | BOLT | 6 | | | | |
| 3 | 5LB-2580T-00 | CALIPER ASSY (LEFT) | 1 | | | | |
| 4 | 4JG-W0057-00 | .PISTON ASSY, CALIPER | 1 | | | | |
| 5 | 4JG-W0047-00 | ..CALIPER SEAL KIT | 1 | | | | |
| 6 | 5JW-25914-00 | .PIN, SLIDE | 2 | | | | |
| 7 | 4TT-25937-00 | .BOOT 2 | 2 | | | | |
| 8 | 5LB-W0045-00 | .BRAKE PAD KIT | 1 | | | | |
| 9 | 4TT-25919-00 | .SUPPORT, PAD | 2 | | | | |
| 10 | 51L-W0048-00 | .BLEED SCREW KIT | 1 | | | | |
| 11 | 90105-10638 | BOLT, FLANGE | 2 | | | | |



5RS1300-A280

FIG. 28 REAR WHEEL

| REF. NO. | PART NO. | DESCRIPTION | 5RS1 | | | | REMARKS |
|----------|--------------|--------------------------------|------|--|--|--|-------------|
| 1 | 5RS-25311-00 | HUB, REAR | 1 | | | | |
| 2 | 90560-17305 | SPACER | 1 | | | | |
| 3 | 93306-30317 | BEARING | 1 | | | | |
| 4 | 93306-20348 | BEARING | 1 | | | | |
| 5 | 93106-25022 | OIL SEAL | 1 | | | | |
| 6 | 3Y6-25321-10 | PLATE, BRAKE SHOE | 1 | | | | |
| 7 | 4AT-W253E-00 | BRAKE SHOE KIT | 1 | | | | |
| 8 | 90506-12001 | .SPRING, TENSION | 1 | | | | |
| 9 | 90506-15001 | .SPRING, TENSION | 1 | | | | |
| 10 | 5DV-25351-10 | CAMSHAFT | 1 | | | | |
| 11 | 5R0-25355-00 | LEVER, CAMSHAFT | 1 | | | | |
| 12 | 90101-06278 | BOLT | 1 | | | | |
| 13 | 95307-06600 | NUT | 1 | | | | |
| 14 | 5RS-2533A-00 | PLATE, INDICATOR | 1 | | | | |
| 15 | 93109-14021 | OIL SEAL | 1 | | | | |
| 16 | 93210-14104 | O-RING | 1 | | | | |
| 17 | 94445-14004 | RIM (MT4.50x14M/C) | 1 | | | | |
| 18 | 5RS-25304-00 | SPOKE SET, REAR | 1 | | | | |
| 19 | 94118-14008 | TIRE (180/80-14M/C 78P TW-204) | 1 | | | | BRIDGESTONE |
| 20 | 94218-14251 | TUBE (180/80-14 TR4) | 1 | | | | BRIDGESTONE |
| 21 | 94318-14149 | BAND, RIM (4.50-14) | 1 | | | | BRIDGESTONE |
| 22 | 15A-25451-20 | SPROCKET, DRIVEN (51T) | 1 | | | | |
| 23 | 90116-08552 | BOLT, STUD | 6 | | | | |
| 24 | 95607-08200 | NUT, SELF-LOCKING | 6 | | | | |
| 25 | 3HT-25398-00 | BALANCER, WHEEL | 1 | | | | UN |
| 26 | 90387-17005 | COLLAR | 1 | | | | |
| 27 | 90387-17006 | COLLAR | 1 | | | | |

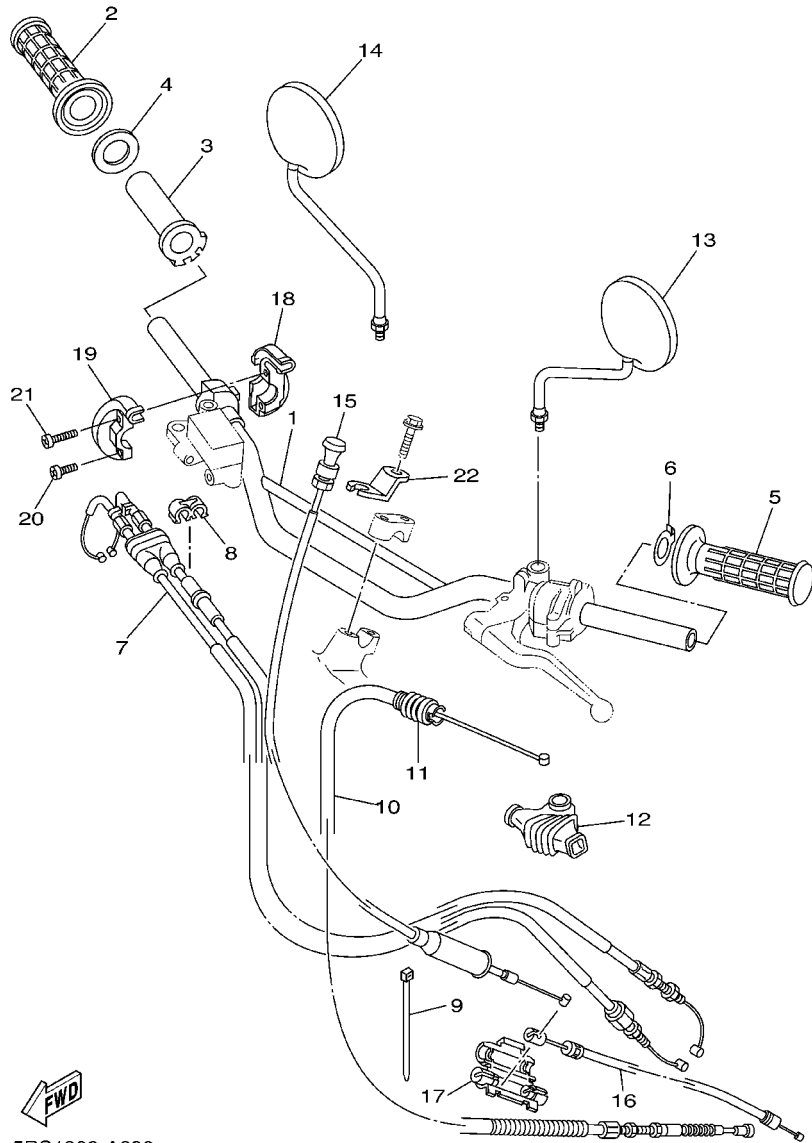


5RS1300-A280

FIG. 28 REAR WHEEL

| REF. NO. | PART NO. | DESCRIPTION | 5RS1 | | | | REMARKS |
|----------|--------------|----------------------------|------|--|--|--|---------|
| 28 | 3Y1-25388-01 | PULLER, CHAIN 1 | 1 | | | | |
| 29 | 3Y1-25389-00 | PULLER, CHAIN 2 | 1 | | | | |
| 30 | 2JX-25381-10 | AXLE, WHEEL | 1 | | | | |
| 31 | 90185-16127 | NUT, SELF-LOCKING | 1 | | | | |
| 32 | 90201-164H4 | WASHER, PLATE | 1 | | | | |
| 33 | 9Y581-97125 | CHAIN | 1 | | | | |
| 34 | 94681-97001 | .JOINT.CHAIN (DID428HD-RJ) | 1 | | | | |
| | | | | | | | |
| | | | | | | | |
| | | | | | | | |
| | | | | | | | |
| | | | | | | | |
| | | | | | | | |

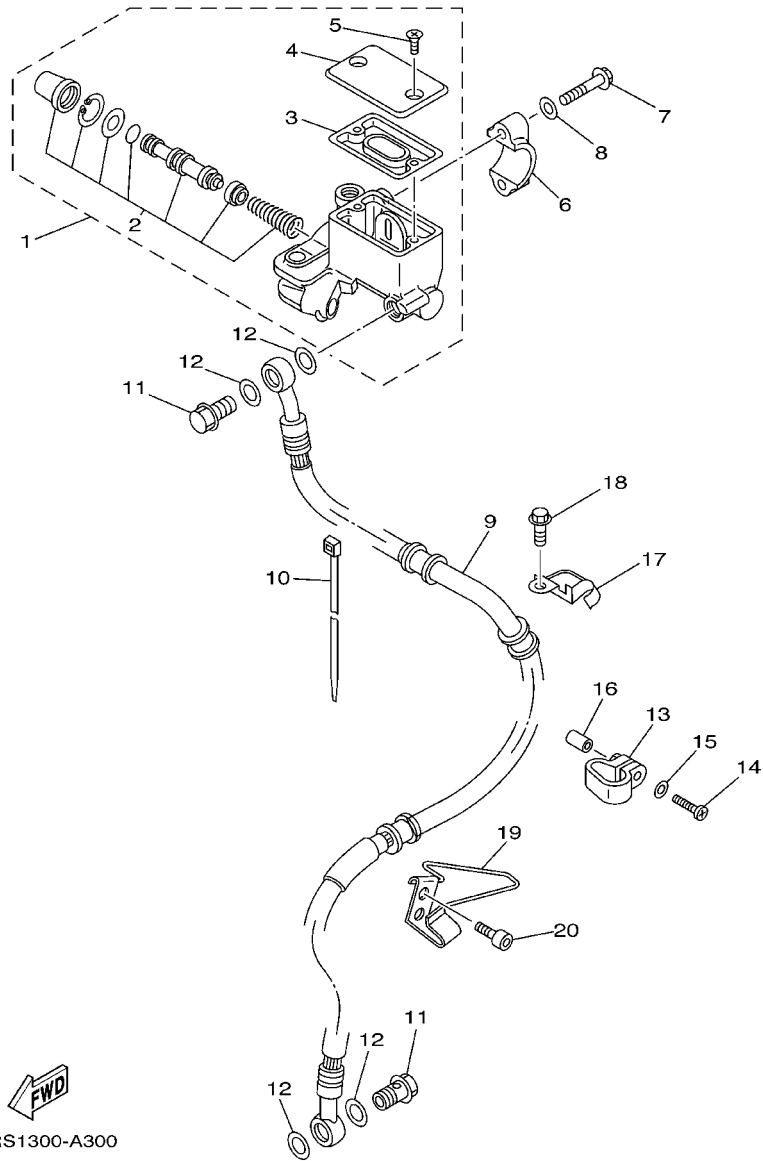
FIG. 29 STEERING HANDLE. CABLE



5RS1300-A290

| REF. NO. | PART NO. | DESCRIPTION | 5RS1 | | | | REMARKS |
|----------|--------------|-------------------------------|------|--|--|--|---------|
| 1 | 5RS-26111-00 | HANDLEBAR | 1 | | | | |
| 2 | 1LX-26242-01 | GRIP (RIGHT) | 1 | | | | |
| 3 | 5BE-26243-00 | TUBE, THROTTLE GUIDE | 1 | | | | |
| 4 | 3Y1-26249-00 | RING, LEAF | 1 | | | | |
| 5 | 1LX-26241-01 | GRIP (LEFT) | 1 | | | | |
| 6 | 4RR-26129-00 | WASHER | 1 | | | | |
| 7 | 5LB-26302-01 | THROTTLE CABLE ASSY | 1 | | | | |
| 8 | 90464-06214 | CLAMP | 1 | | | | |
| 9 | 90465-13152 | CLAMP | 1 | | | | |
| 10 | 5EK-26335-00 | CABLE, CLUTCH | 1 | | | | |
| 11 | 1E6-26342-00 | BOOT, CABLE | 1 | | | | |
| 12 | 1E6-26372-00 | COVER, HANDLE LEVER 1 | 1 | | | | |
| 13 | 55V-26280-00 | REAR VIEW MIRROR ASSY (LEFT) | 1 | | | | |
| 14 | 55V-26290-00 | REAR VIEW MIRROR ASSY (RIGHT) | 1 | | | | |
| 15 | 5EK-26331-10 | CABLE, STARTER 1 | 1 | | | | |
| 16 | 5RS-26334-00 | CABLE, STARTER 2 | 1 | | | | |
| 17 | 53L-26261-01 | CONNECTOR, CABLE | 1 | | | | |
| 18 | 3LN-26281-01 | CAP, GRIP UPPER | 1 | | | | |
| 19 | 3LN-26282-01 | CAP, GRIP LOWER | 1 | | | | |
| 20 | 98507-05020 | SCREW, PAN HEAD | 1 | | | | |
| 21 | 98507-05025 | SCREW, PAN HEAD | 1 | | | | |
| 22 | 4BE-2637G-10 | HOLDER, WIRE | 1 | | | | |

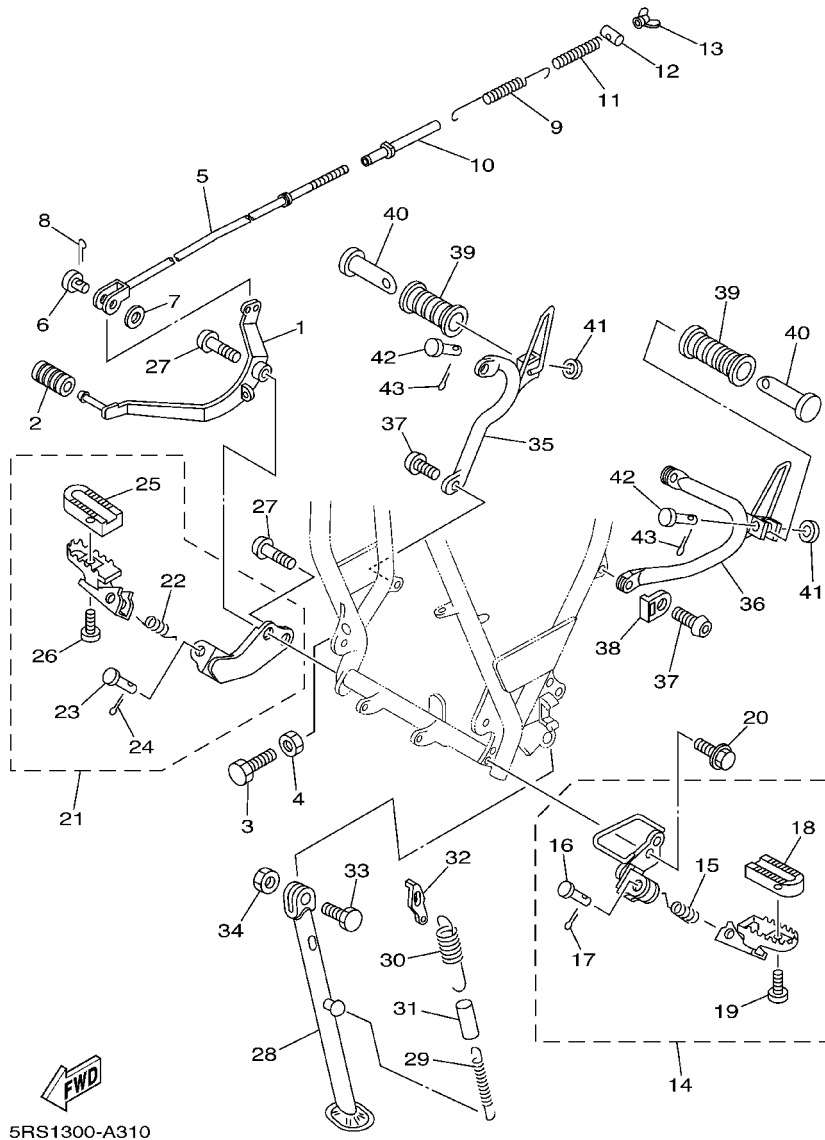
FIG. 30 FRONT MASTER CYLINDER



5RS1300-A300

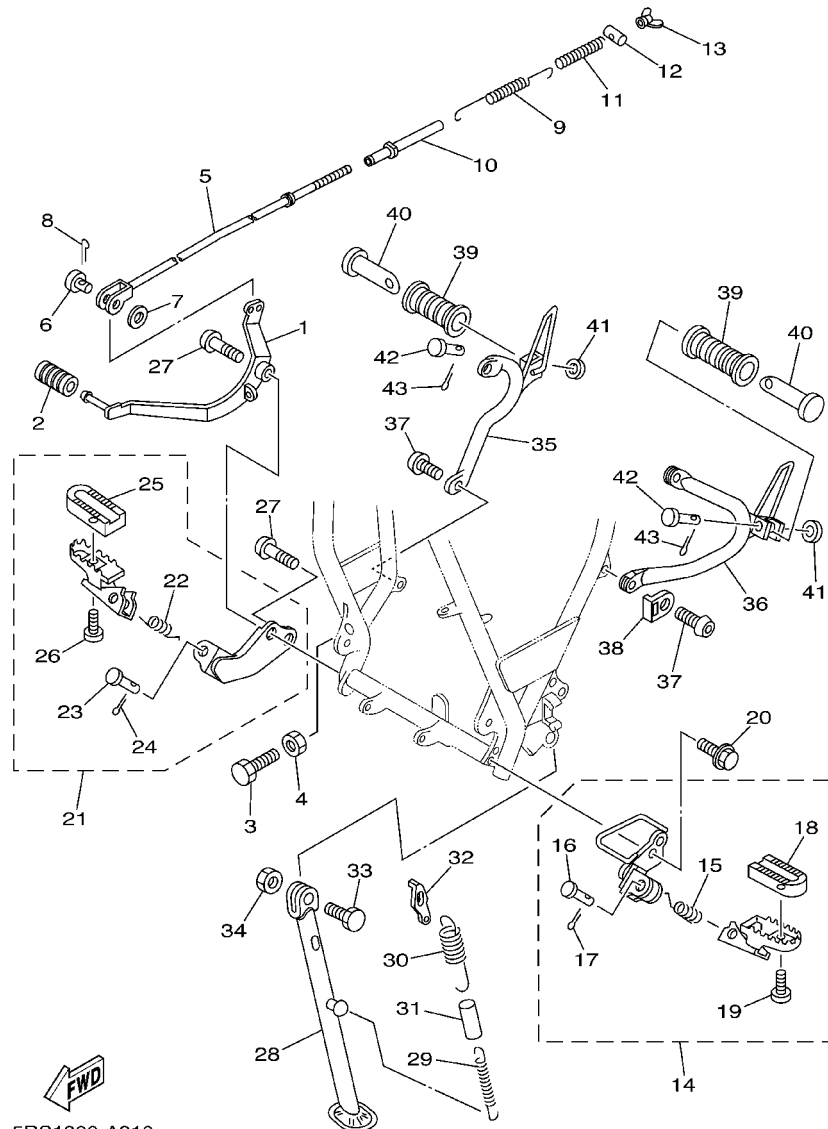
| REF. NO. | PART NO. | DESCRIPTION | 5RS1 | | | | REMARKS |
|----------|--------------|--------------------------|------|--|--|--|---------|
| 1 | 5RS-25870-00 | MASTER CYLINDER SUB ASSY | 1 | | | | |
| 2 | 5CG-W0041-00 | .CYLINDER KIT, MASTER | 1 | | | | |
| 3 | 5RB-25854-00 | .DIAPHRAGM, RESERVOIR | 1 | | | | |
| 4 | 4GY-25852-01 | .CAP, RESERVOIR | 1 | | | | |
| 5 | 36Y-2589H-00 | .SCREW | 2 | | | | |
| 6 | 3RW-25867-00 | BRACKET, MASTER CYLINDER | 1 | | | | |
| 7 | 97007-06025 | BOLT | 2 | | | | |
| 8 | 92907-06600 | WASHER, PLATE | 2 | | | | |
| 9 | 5RS-25872-00 | HOSE, BRAKE 1 | 1 | | | | |
| 10 | 1UA-82591-00 | BAND | 1 | | | | |
| 11 | 90401-10159 | BOLT, UNION | 2 | | | | |
| 12 | 90201-10118 | WASHER, PLATE | 4 | | | | |
| 13 | 3TB-23467-01 | CLAMP | 1 | | | | |
| 14 | 98507-04018 | SCREW, PAN HEAD | 1 | | | | |
| 15 | 92907-04600 | WASHER | 1 | | | | |
| 16 | 90445-057G5 | HOSE (L10) | 1 | | | | |
| 17 | 5RS-25886-00 | HOLDER, BRAKE HOSE | 1 | | | | |
| 18 | 95807-06012 | BOLT, FLANGE | 1 | | | | |
| 19 | 34X-25876-00 | HOLDER, BRAKE HOSE 2 | 1 | | | | |
| 20 | 91317-06010 | BOLT | 2 | | | | |

FIG. 31 STAND. FOOTREST



| REF. NO. | PART NO. | DESCRIPTION | 5RS1 | | | | REMARKS |
|----------|--------------|-----------------------------|------|--|--|--|---------|
| 1 | 5EK-27211-00 | PEDAL, BRAKE | 1 | | | | |
| 2 | 132-18113-01 | COVER, SHIFT PEDAL | 1 | | | | |
| 3 | 97007-06020 | BOLT | 1 | | | | |
| 4 | 95307-06700 | NUT | 1 | | | | |
| 5 | 5RS-27231-00 | ROD, BRAKE | 1 | | | | |
| 6 | 90240-06076 | PIN, CLEVIS | 1 | | | | |
| 7 | 92907-06200 | WASHER | 1 | | | | |
| 8 | 91401-20012 | PIN, COTTER | 1 | | | | |
| 9 | 90506-18289 | SPRING, TENSION | 1 | | | | |
| 10 | 1M1-27244-00 | COVER | 1 | | | | |
| 11 | 90501-10245 | SPRING, COMPRESSION | 1 | | | | |
| 12 | 90249-12008 | PIN | 1 | | | | |
| 13 | 90175-06013 | NUT, WING | 1 | | | | |
| 14 | 5EK-27410-00 | FRONT FOOTREST ASSY (LEFT) | 1 | | | | |
| 15 | 90508-20583 | .SPRING, TORSION | 1 | | | | |
| 16 | 90240-10101 | .PIN, CLEVIS | 1 | | | | |
| 17 | 91401-25015 | .PIN, COTTER | 1 | | | | |
| 18 | 3LD-27413-00 | .COVER, FOOTREST | 1 | | | | |
| 19 | 91317-06010 | .BOLT | 1 | | | | |
| 20 | 95827-12025 | BOLT, FLANGE | 1 | | | | |
| 21 | 5EK-27420-00 | FRONT FOOTREST ASSY (RIGHT) | 1 | | | | |
| 22 | 90508-20583 | .SPRING, TORSION | 1 | | | | |
| 23 | 90240-10101 | .PIN, CLEVIS | 1 | | | | |
| 24 | 91401-25015 | .PIN, COTTER | 1 | | | | |
| 25 | 3LD-27413-00 | .COVER, FOOTREST | 1 | | | | |
| 26 | 91317-06010 | .BOLT | 1 | | | | |
| 27 | 90111-10004 | BOLT | 2 | | | | |

FIG. 31 STAND, FOOTREST

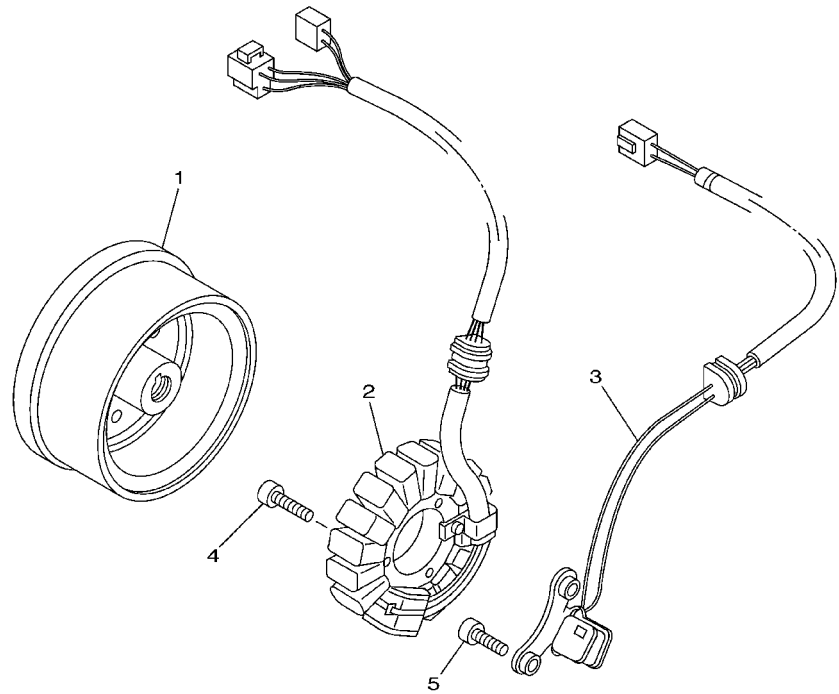


5RS1300-A310

| REF. NO. | PART NO. | DESCRIPTION | 5RS1 | | | | REMARKS |
|----------|--------------|----------------------|------|--|--|--|---------|
| 28 | 2JX-27311-02 | STAND, SIDE | 1 | | | | |
| 29 | 90506-18224 | SPRING, TENSION | 1 | | | | |
| 30 | 90506-26225 | SPRING, TENSION | 1 | | | | |
| 31 | 1TX-27351-00 | GUIDE, SIDE STAND | 1 | | | | |
| 32 | 5RS-27315-00 | LINK, SIDE STAND | 1 | | | | |
| 33 | 90109-10473 | BOLT | 1 | | | | |
| 34 | 90185-10037 | NUT, SELF-LOCKING | 1 | | | | |
| 35 | 2JX-27442-10 | BRACKET 2 | 1 | | | | |
| 36 | 5RS-27432-00 | BRACKET 1 | 1 | | | | |
| 37 | 92017-08016 | BOLT, BUTTON HEAD | 4 | | | | |
| 38 | 2JX-27437-00 | WASHER, SPECIAL | 1 | | | | |
| 39 | 120-27433-00 | COVER, REAR FOOTREST | 2 | | | | |
| 40 | 120-27431-00 | FOOTREST, REAR 1 | 2 | | | | |
| 41 | 90201-20279 | WASHER, PLATE | 2 | | | | |
| 42 | 91701-06032 | PIN, CLEVIS | 2 | | | | |
| 43 | 91401-20012 | PIN, COTTER | 2 | | | | |
| | | | | | | | |
| | | | | | | | |
| | | | | | | | |
| | | | | | | | |

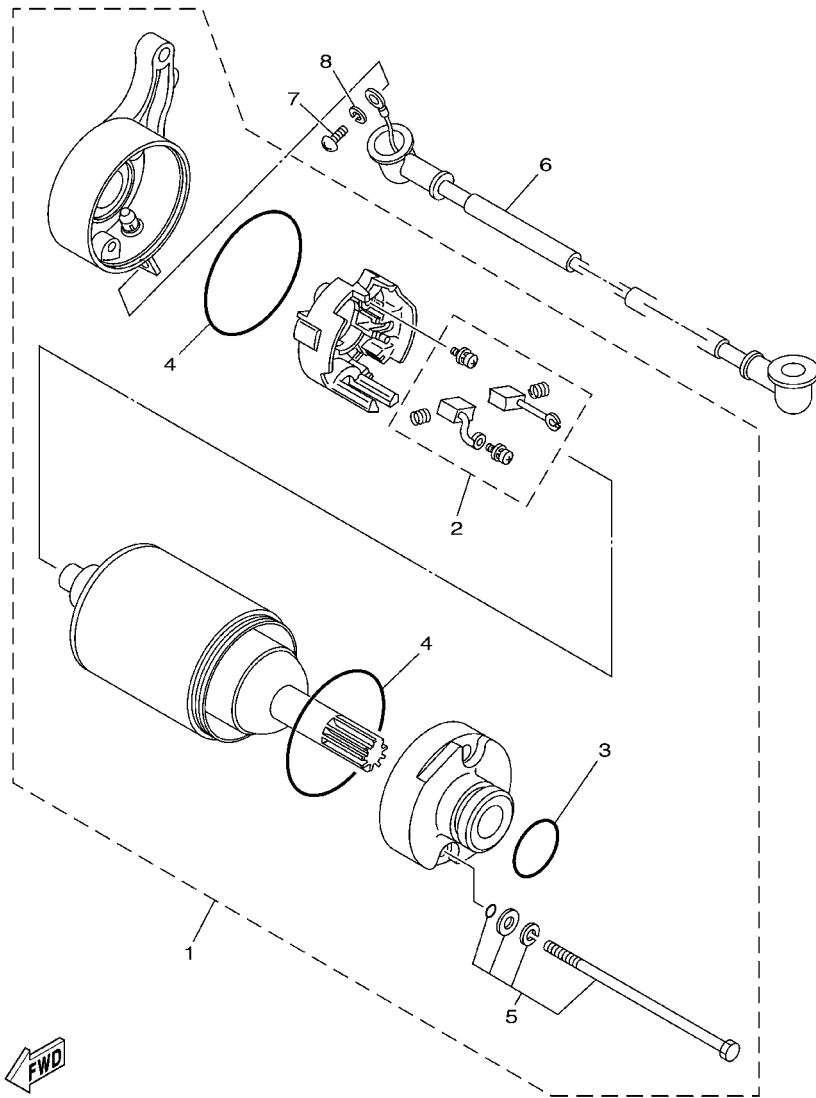
FIG. 32 GENERATOR

| REF. NO. | PART NO. | DESCRIPTION | 5RS1 | REMARKS |
|----------|--------------|--------------|------|---------|
| 1 | 5BT-85550-00 | ROTOR ASSY | 1 | |
| 2 | 4WP-85510-10 | STATOR ASSY | 1 | |
| 3 | 4JG-85580-01 | COIL, PULSER | 1 | |
| 4 | 91317-06025 | BOLT | 3 | |
| 5 | 91317-06020 | BOLT | 2 | |
| ----- | | | | |
| ----- | | | | |
| ----- | | | | |
| ----- | | | | |
| ----- | | | | |
| ----- | | | | |
| ----- | | | | |
| ----- | | | | |
| ----- | | | | |
| ----- | | | | |
| ----- | | | | |
| ----- | | | | |
| ----- | | | | |
| ----- | | | | |



5EK5300-1330

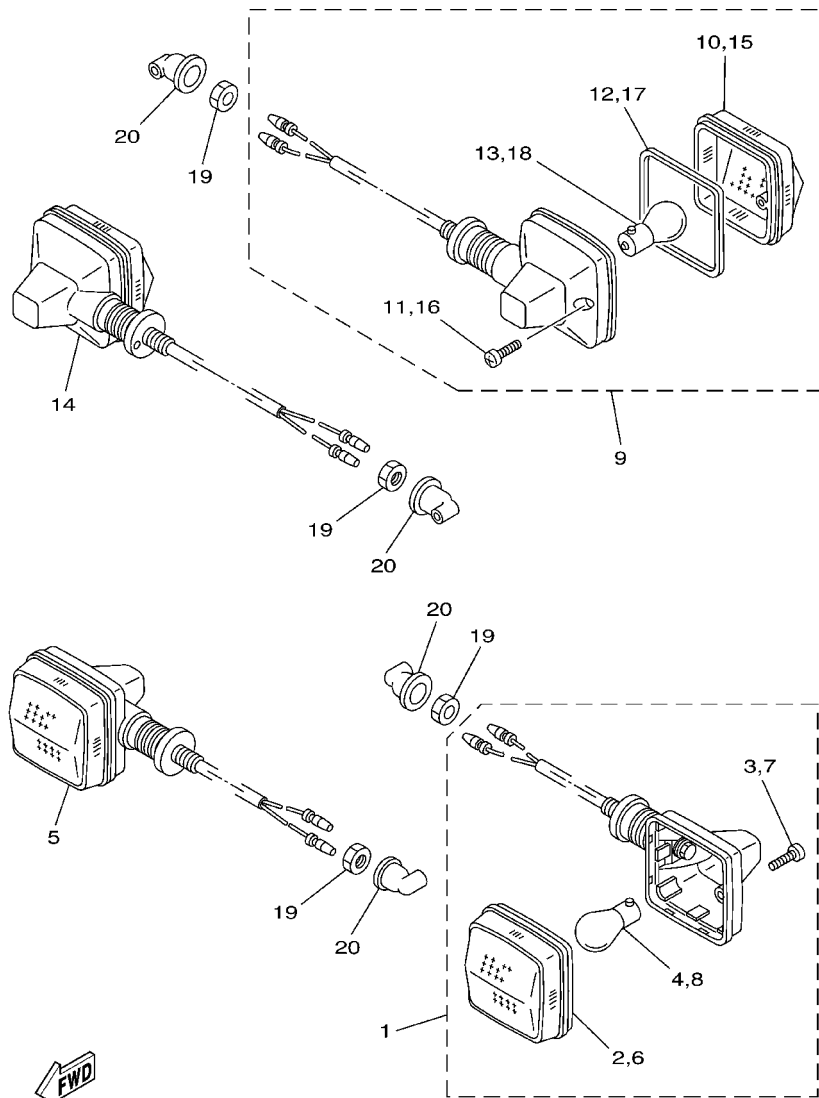
FIG. 33 STARTING MOTOR



| REF. NO. | PART NO. | DESCRIPTION | 5RS1 | | | | REMARKS |
|----------|--------------|-----------------|------|--|--|--|---------|
| 1 | 5RS-81890-00 | MOTOR ASSY | 1 | | | | |
| 2 | 50M-81801-M0 | .BRUSH SET | 1 | | | | |
| 3 | 93210-25711 | .O-RING | 1 | | | | |
| 4 | 93210-55669 | .O-RING | 2 | | | | |
| 5 | 59V-81828-M0 | .SCREW SET | 2 | | | | |
| 6 | 4JG-8183G-00 | CORD COMP. | 1 | | | | |
| 7 | 98507-05008 | SCREW, PAN HEAD | 1 | | | | |
| 8 | 92907-05100 | WASHER, SPRING | 1 | | | | |
| | | | | | | | |
| | | | | | | | |
| | | | | | | | |
| | | | | | | | |
| | | | | | | | |
| | | | | | | | |

FWD
5FY5100-0320

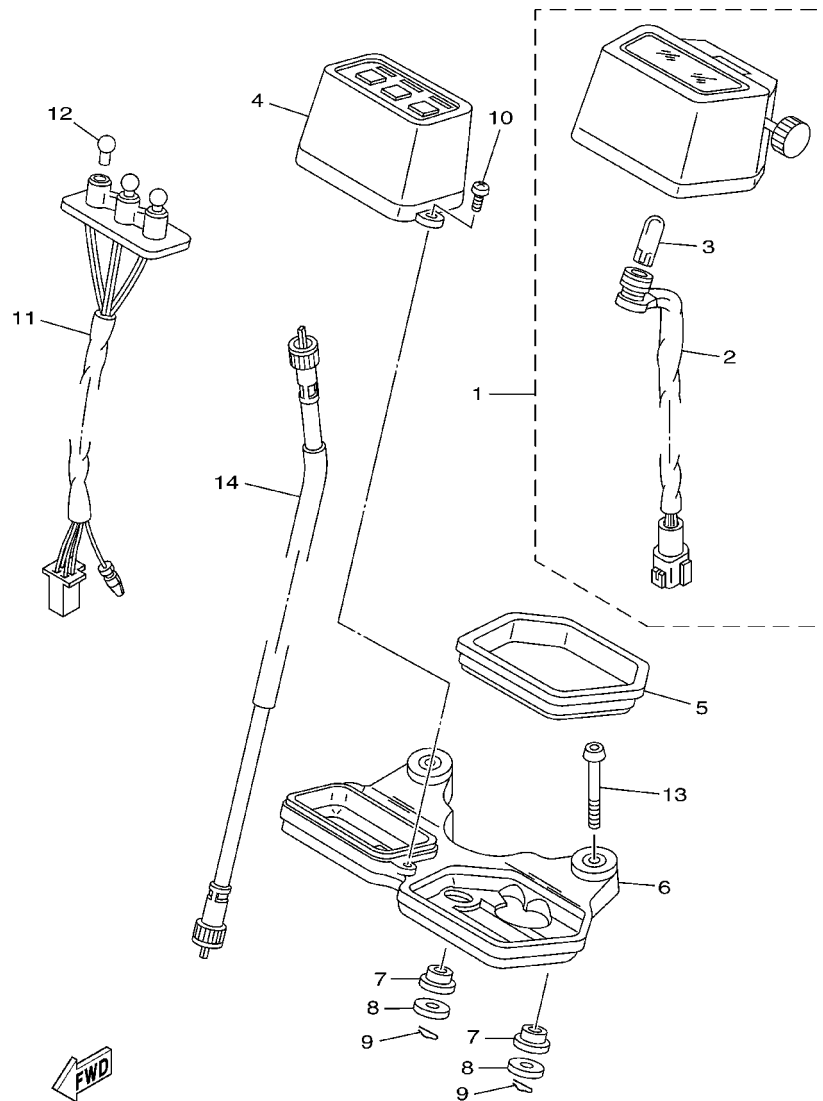
FIG. 34 FLASHER LIGHT



5RS1300-A340

| REF. NO. | PART NO. | DESCRIPTION | 5RS1 | | | | REMARKS |
|----------|--------------|----------------------------|------|--|--|--|---------|
| 1 | 3YF-83310-01 | FRONT FLASHER LIGHT ASSY 1 | 1 | | | | |
| 2 | 47J-83312-00 | .LENS, FLASHER | 1 | | | | |
| 3 | 97706-40620 | .SCREW, TAPPING | 1 | | | | |
| 4 | 306-83311-40 | .BULB, FLASHER (12V-21W) | 1 | | | | |
| 5 | 3YF-83320-01 | FRONT FLASHER LIGHT ASSY 2 | 1 | | | | |
| 6 | 47J-83322-00 | .LENS, FLASHER 2 | 1 | | | | |
| 7 | 97706-40620 | .SCREW, TAPPING | 1 | | | | |
| 8 | 306-83311-40 | .BULB, FLASHER (12V-21W) | 1 | | | | |
| 9 | 3LD-83330-01 | REAR FLASHER LIGHT ASSY 1 | 1 | | | | |
| 10 | 2KF-83332-00 | .LENS, FLASHER | 1 | | | | |
| 11 | 97707-40620 | .SCREW, TAPPING | 1 | | | | |
| 12 | 47J-83313-00 | .GASKET, FLASHER LENS | 1 | | | | |
| 13 | 306-83311-40 | .BULB, FLASHER (12V-21W) | 1 | | | | |
| 14 | 3LD-83340-01 | FLASHER LIGHT ASSY 2 | 1 | | | | |
| 15 | 2KF-83342-00 | .LENS, FLASHER 2 | 1 | | | | |
| 16 | 97707-40620 | .SCREW, TAPPING | 1 | | | | |
| 17 | 47J-83313-00 | .GASKET, FLASHER LENS | 1 | | | | |
| 18 | 306-83311-40 | .BULB, FLASHER (12V-21W) | 1 | | | | |
| 19 | 95307-12700 | NUT | 4 | | | | |
| 20 | 18G-83365-00 | CAP | 4 | | | | |

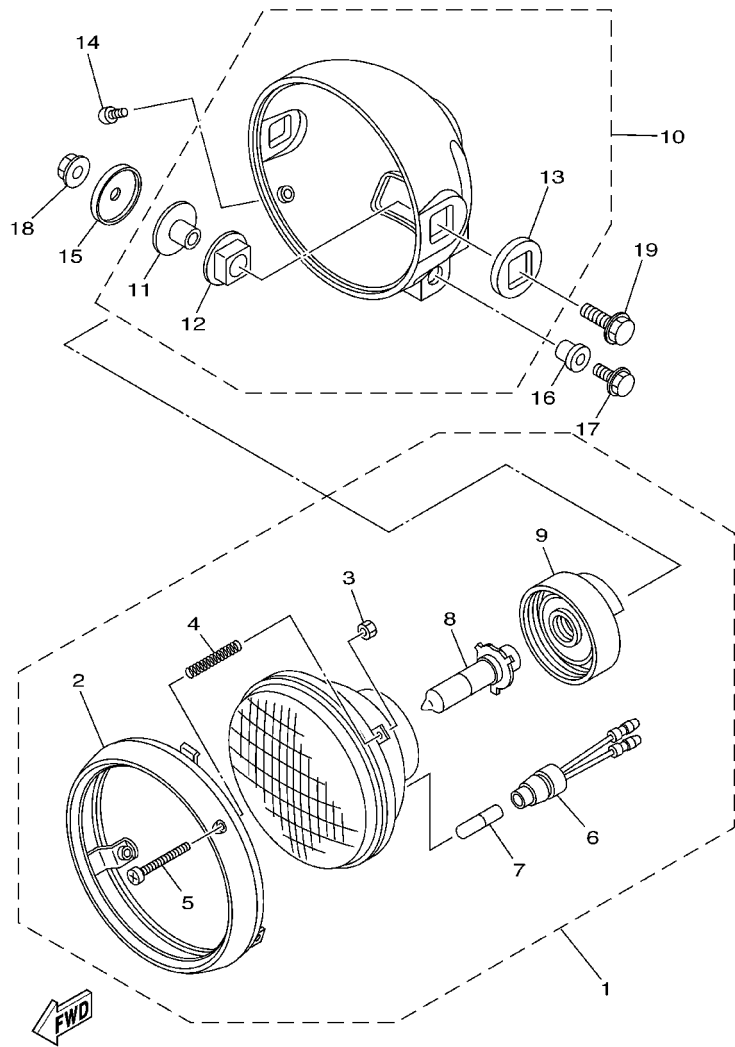
FIG. 35 METER



5EK1300-9360

| REF. NO. | PART NO. | DESCRIPTION | 5RS1 | | | | REMARKS |
|----------|--------------|-------------------------|------|--|--|--|------------|
| 1 | 3RM-83570-60 | SPEEDOMETER ASSY (km/h) | 1 | | | | UR |
| | 5RS-83570-00 | SPEEDOMETER ASSY (mph) | 1 | | | | UR FOR GBR |
| 2 | 3RM-83536-00 | .SOCKET, METER | 1 | | | | |
| 3 | 4G1-84744-00 | .BULB (12V-3.4W T-10) | 1 | | | | |
| 4 | 5EK-83568-00 | PILOT BOX, UPPER | 1 | | | | |
| 5 | 5Y1-83513-00 | DAMPER | 1 | | | | |
| 6 | 15A-83519-00 | BRACKET, METER | 1 | | | | |
| 7 | 1M1-83526-00 | DAMPER 2 | 2 | | | | |
| 8 | 90201-05033 | WASHER, PLATE | 2 | | | | |
| 9 | 437-83525-00 | CLIP | 2 | | | | |
| 10 | 90164-04008 | SCREW, TAPPING | 2 | | | | |
| 11 | 5EK-83509-00 | SOCKET CORD ASSY | 1 | | | | |
| 12 | 123-83516-20 | BULB (12V-3W) | 1 | | | | |
| 13 | 95804-06040 | BOLT, FLANGE | 2 | | | | |
| 14 | 5LB-83550-00 | SPEEDOMETER CABLE ASSY | 1 | | | | |

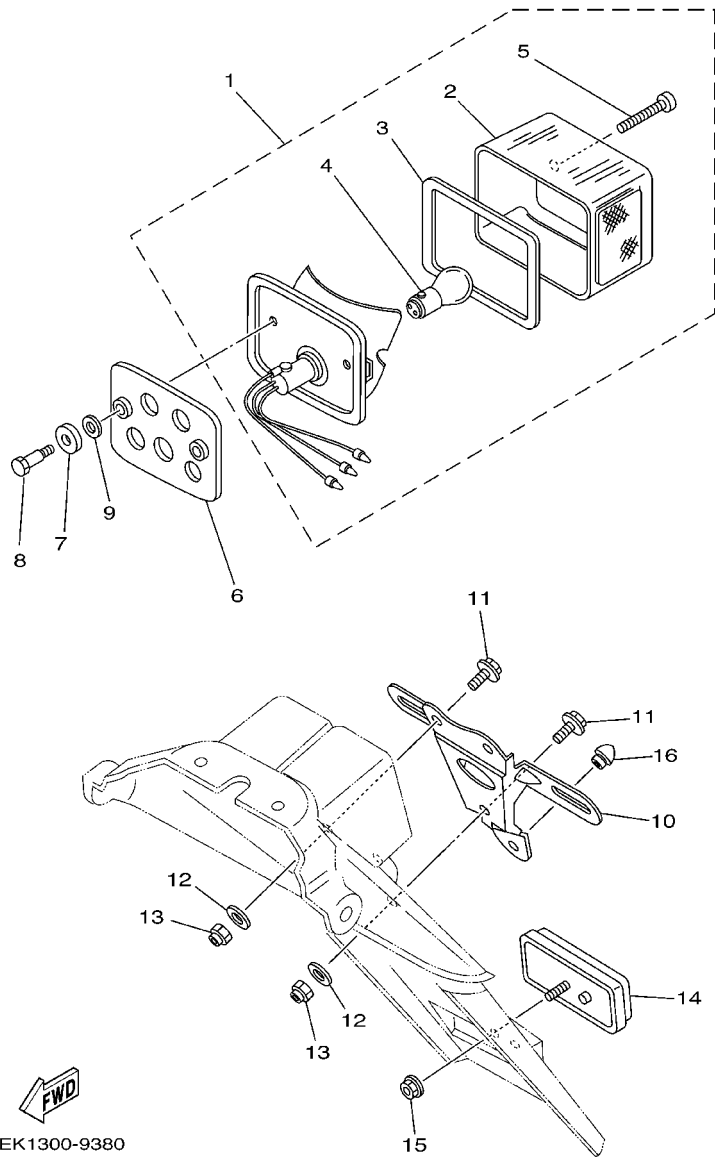
FIG. 36 HEADLIGHT



5RS1300-A360

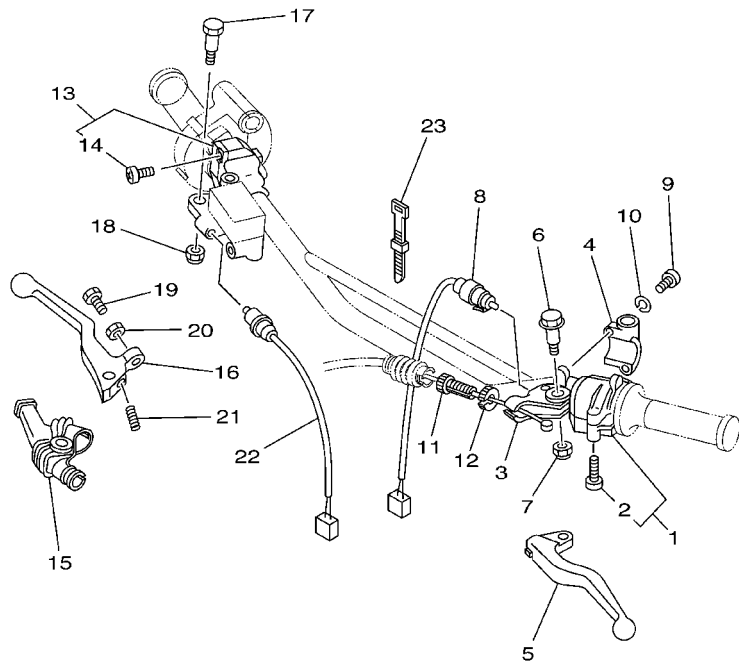
| REF. NO. | PART NO. | DESCRIPTION | 5RS1 | | | | REMARKS |
|----------|--------------|-----------------------|------|--|--|--|-------------|
| 1 | 5RS-84310-00 | HEADLIGHT UNIT ASSY | 1 | | | | UR |
| | 5RS-84310-10 | HEADLIGHT UNIT ASSY | 1 | | | | UR FOR GBR |
| 2 | 42X-84315-01 | .RIM, HEADLIGHT | 1 | | | | |
| 3 | 198-84334-60 | .NUT, ADJUSTING | 2 | | | | |
| 4 | 1A0-84332-60 | .SPRING, SCREW | 2 | | | | |
| 5 | 341-84331-60 | .SCREW, RIM ADJUSTING | 2 | | | | |
| 6 | 5JX-84312-00 | .HOLDER, SOCKET | 1 | | | | |
| 7 | 4E2-84347-00 | .BULB (12V-4W) | 1 | | | | |
| 8 | 2F9-84314-00 | .BULB (12V-60/55W) | 1 | | | | (H4)HALOGEN |
| 9 | 4JG-84397-00 | .COVER, SOCKET | 1 | | | | |
| 10 | 5RS-84330-00 | BODY ASSY | 1 | | | | |
| 11 | 1JA-84338-00 | .COLLAR, BODY FITTING | 2 | | | | |
| 12 | 1JA-84345-00 | .DAMPER, HEADLIGHT | 2 | | | | |
| 13 | 1M1-84164-60 | .DAMPER | 2 | | | | |
| 14 | 90157-05084 | SCREW, PAN HEAD | 2 | | | | |
| 15 | 90209-08098 | WASHER | 2 | | | | |
| 16 | 90179-06524 | NUT | 1 | | | | |
| 17 | 95027-06020 | BOLT, FLANGE | 1 | | | | |
| 18 | 95707-08500 | NUT, FLANGE | 2 | | | | |
| 19 | 95024-08030 | BOLT, FLANGE | 2 | | | | |

FIG. 37 TAILLIGHT



| REF. NO. | PART NO. | DESCRIPTION | 5RS1 | | | | REMARKS |
|----------|--------------|----------------------|------|--|--|--|---------|
| 1 | 56U-84710-41 | TAILLIGHT UNIT ASSY | 1 | | | | |
| 2 | 1M8-84521-40 | .LENS, TAILLIGHT | 1 | | | | |
| 3 | 1M1-84523-60 | .GASKET, LENS | 1 | | | | |
| 4 | 1A2-84714-41 | .BULB (12V-21/5W) | 1 | | | | |
| 5 | 1M1-84524-60 | .SCREW, LENS FITTING | 2 | | | | |
| 6 | 4L0-84753-00 | DAMPER | 1 | | | | |
| 7 | 90209-08125 | WASHER | 2 | | | | |
| 8 | 90109-06005 | BOLT | 2 | | | | |
| 9 | 90201-083A0 | WASHER, PLATE | 2 | | | | |
| 10 | 2JL-21685-00 | BRACKET, LICENSE | 1 | | | | |
| 11 | 95807-06016 | BOLT, FLANGE | 3 | | | | |
| 12 | 90201-06557 | WASHER, PLATE | 3 | | | | |
| 13 | 95607-06100 | NUT, U | 3 | | | | |
| 14 | 3Y6-85130-02 | REAR REFLECTOR ASSY | 1 | | | | |
| 15 | 95707-05500 | NUT, FLANGE | 1 | | | | |
| 16 | 5A8-21639-00 | DAMPER 2 | 1 | | | | |

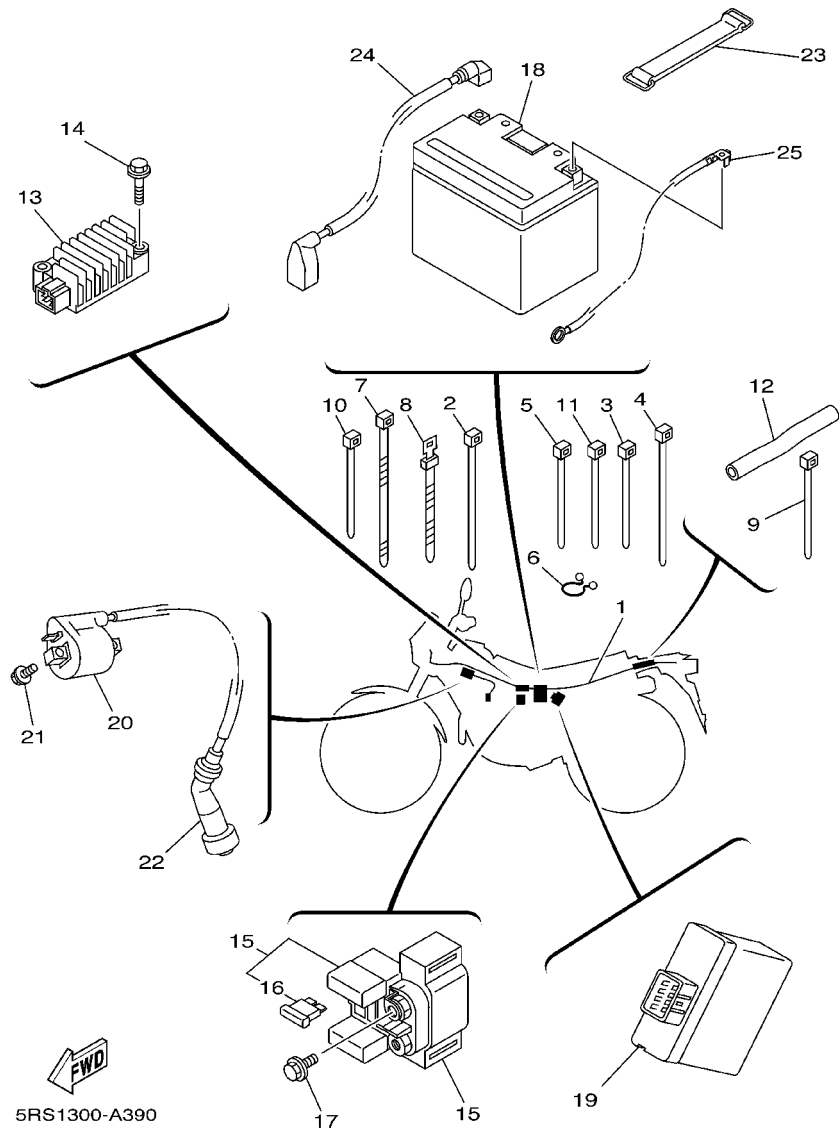
FIG. 38 HANDLE SWITCH. LEVER




5EK1300-9390

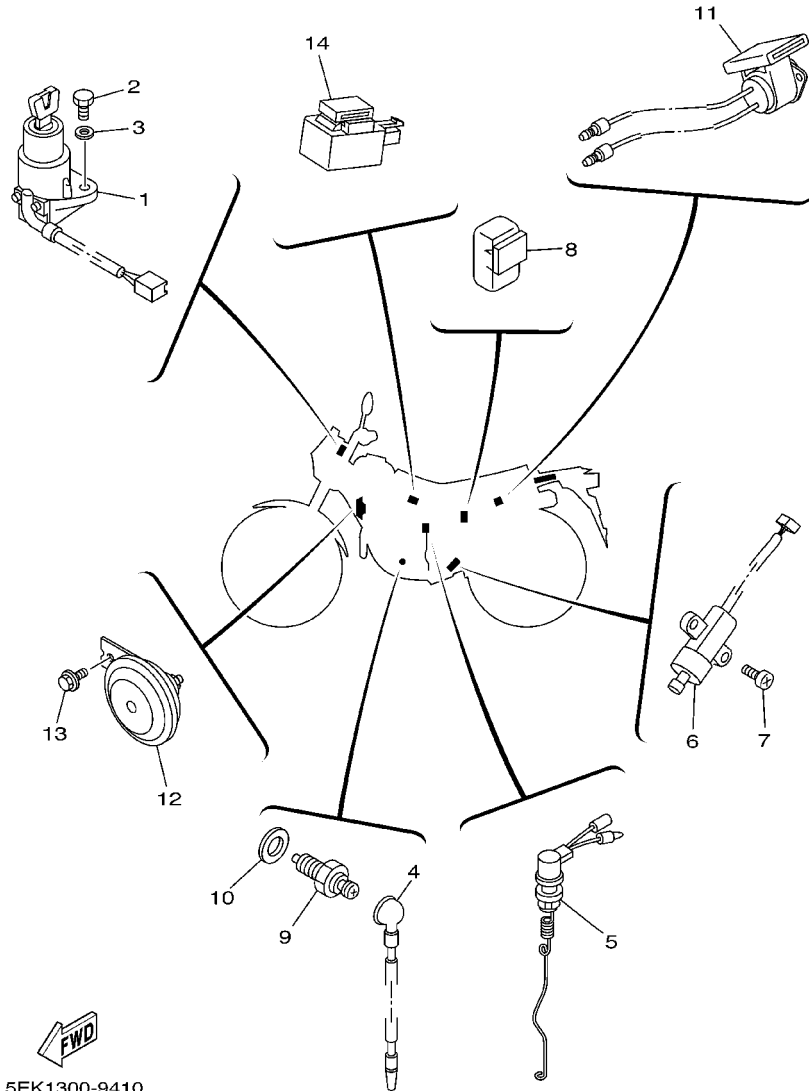
| REF. NO. | PART NO. | DESCRIPTION | 5RS1 | | | | REMARKS |
|----------|--------------|------------------------|------|--|--|--|---------|
| 1 | 5EK-83972-00 | SWITCH, HANDLE 4 | 1 | | | | |
| 2 | 98507-05030 | .SCREW, PAN HEAD | 2 | | | | |
| 3 | 1LN-82911-00 | HOLDER, LEVER 1 | 1 | | | | |
| 4 | 33G-82913-01 | HOLDER, LEVER LOWER 1 | 1 | | | | |
| 5 | 4GY-83912-00 | LEVER 1 | 1 | | | | |
| 6 | 90109-06799 | BOLT | 1 | | | | |
| 7 | 95607-06100 | NUT, U | 1 | | | | |
| 8 | 4GY-82917-01 | SWITCH | 1 | | | | |
| 9 | 98507-05020 | SCREW, PAN HEAD | 2 | | | | |
| 10 | 92907-05100 | WASHER, SPRING | 2 | | | | |
| 11 | 90123-08046 | BOLT | 1 | | | | |
| 12 | 90179-08148 | NUT | 1 | | | | |
| 13 | 5LB-83975-00 | SWITCH, HANDLE 2 | 1 | | | | |
| 14 | 98507-05018 | .SCREW, PAN HEAD | 2 | | | | |
| 15 | 1T5-26372-00 | COVER, HANDLE LEVER 1 | 1 | | | | |
| 16 | 55Y-83922-00 | LEVER 2 | 1 | | | | |
| 17 | 90109-06577 | BOLT | 1 | | | | |
| 18 | 95607-06100 | NUT, U | 1 | | | | |
| 19 | 90149-06131 | SCREW | 1 | | | | |
| 20 | 90170-06010 | NUT | 1 | | | | |
| 21 | 90501-10312 | SPRING, COMPRESSION | 1 | | | | |
| 22 | 3DM-83980-00 | FRONT STOP SWITCH ASSY | 1 | | | | |
| 23 | 437-83936-01 | BAND, SWITCH CORD | 4 | | | | |

FIG. 39 ELECTRICAL 1



| REF. NO. | PART NO. | DESCRIPTION | 5RS1 | | | | REMARKS |
|----------|--------------|----------------------------|------|--|--|--|---------|
| 1 | 5RS-82590-00 | WIRE HARNESS ASSY | 1 | | | | |
| 2 | 90465-13275 | CLAMP | 1 | | | | |
| 3 | 5Y9-12491-00 | CLAMP 1 | 1 | | | | |
| 4 | 90465-13152 | CLAMP | 1 | | | | |
| 5 | 5Y9-12491-00 | CLAMP 1 | 1 | | | | |
| 6 | 341-82594-00 | CLAMP | 1 | | | | |
| 7 | 1UA-82591-00 | BAND | 2 | | | | |
| 8 | 25G-83936-01 | BAND, SWITCH CORD | 2 | | | | |
| 9 | 5Y9-12491-00 | CLAMP 1 | 2 | | | | |
| 10 | 5Y9-12491-00 | CLAMP 1 | 1 | | | | |
| 11 | 5Y9-12491-00 | CLAMP 1 | 2 | | | | |
| 12 | 90446-15377 | HOSE | 2 | | | | |
| 13 | 3TJ-81960-02 | RECTIFIER & REGULATOR ASSY | 1 | | | | |
| 14 | 95027-06025 | BOLT, FLANGE | 2 | | | | |
| 15 | 5EK-81940-00 | STARTER RELAY ASSY | 1 | | | | |
| 16 | 2GH-82151-00 | .FUSE (20A-BL) | 2 | | | | |
| 17 | 95027-06008 | BOLT, FLANGE | 2 | | | | |
| 18 | 4TP-82100-10 | BATTERY (GS GT6B-3) | 1 | | | | |
| 19 | 5EK-85540-00 | C.D.I. UNIT ASSY | 1 | | | | |
| 20 | 4KJ-82310-10 | IGNITION COIL ASSY | 1 | | | | |
| 21 | 95027-06016 | BOLT, FLANGE | 2 | | | | |
| 22 | 1UY-82370-20 | PLUG CAP ASSY | 1 | | | | |
| 23 | 2T4-82131-00 | BAND, BATTERY | 1 | | | | |
| 24 | 5RS-82115-00 | WIRE, PLUS LEAD | 1 | | | | |
| 25 | 5RS-82116-00 | WIRE, MINUS LEAD | 1 | | | | |

FIG. 40 ELECTRICAL 2



| REF. NO. | PART NO. | DESCRIPTION | 5RS1 | | | | REMARKS |
|----------|--------------|---------------------|------|--|--|--|---------|
| 1 | 5EK-82510-00 | MAIN SWITCH ASSY | 1 | | | | |
| 2 | 97007-06016 | BOLT | 2 | | | | |
| 3 | 92907-06600 | WASHER, PLATE | 2 | | | | |
| 4 | 5FY-82541-00 | WIRE, LEAD | 1 | | | | |
| 5 | 2JX-82530-02 | STOP SWITCH ASSY | 1 | | | | |
| 6 | 3LD-82566-60 | SWITCH, SIDE STAND | 1 | | | | |
| 7 | 90157-05008 | SCREW, PAN HEAD | 2 | | | | |
| 8 | 29U-81950-93 | RELAY ASSY | 1 | | | | |
| 9 | 4GY-82540-10 | NEUTRAL SWITCH ASSY | 1 | | | | |
| 10 | 90430-10148 | GASKET | 1 | | | | |
| 11 | 3MW-82560-00 | THERMO SWITCH ASSY | 1 | | | | |
| 12 | 4KG-83371-20 | HORN | 1 | | | | |
| 13 | 95807-06012 | BOLT, FLANGE | 1 | | | | |
| 14 | 4MY-83350-01 | FLASHER RELAY ASSY | 1 | | | | |
| | | | | | | | |
| | | | | | | | |
| | | | | | | | |
| | | | | | | | |


5EK1300-9410

NUMERICAL INDEX

| PART NO. | GRID NO. | PART NO. | GRID NO. | PART NO. | GRID NO. | PART NO. | GRID NO. | PART NO. | GRID NO. | PART NO. | GRID NO. |
|-----------------|----------|--------------|----------|--------------|----------|-----------------|----------|-----------------|----------|-----------------|----------|
| 5CG-W0041-00 | D - 10 | 36X-12151-00 | B - 6 | 5LB-14385-00 | B - 10 | 5HO-16357-00 | C - 2 | 2JL-21685-00 | E - 4 | 1W4-23194-L0 | D - 2 |
| 5LB-W0045-00 | D - 6 | 5HO-12156-00 | B - 6 | 5LB-14386-00 | B - 11 | 1W1-16358-01 | C - 2 | 5EK-21685-00 | C - 10 | 34X-23317-00 | C - 14 |
| 4JG-W0047-00 | D - 6 | 2NX-12159-00 | B - 6 | 5LB-14390-00 | B - 11 | 2JX-16371-00 | C - 2 | 34X-21691-00 | C - 10 | 5EK-23340-00 | D - 2 |
| 51L-W0048-00 | D - 6 | 5NO-12171-10 | B - 7 | 2JX-14411-01 | B - 9 | 15A-16380-00 | C - 2 | 2YG-21711-00-0X | C - 11 | 22F-2341E-00 | C - 14 |
| 4JG-W0057-00 | D - 6 | 1KH-12176-00 | B - 7 | 2JX-14412-00 | B - 9 | 5NO-17121-00 | C - 4 | 2YG-21721-00-0X | C - 11 | 22F-23411-01 | C - 14 |
| 4AT-W253E-00 | D - 7 | 2LN-12210-10 | B - 7 | 2JX-14422-00 | B - 9 | 5NO-17131-00 | C - 4 | 29N-21747-00 | B - 9 | 22F-23412-01 | C - 14 |
| 5RS-YK241-00-P0 | D - 3 | 4FM-12213-00 | B - 7 | 29N-14425-00 | B - 9 | 5HO-17141-02 | C - 4 | 3NS-21747-00 | B - 9 | 36X-23416-00 | C - 14 |
| 5RS-YK241-00-P1 | D - 3 | 5HO-12231-00 | B - 7 | 34X-1443E-00 | B - 9 | 5NO-17141-01 | C - 4 | 5EK-2175T-00 | C - 11 | 3YF-23418-00 | C - 14 |
| 5RS-YK241-00-P2 | D - 3 | 5NO-12241-00 | B - 7 | 2JL-14437-00 | B - 9 | 5HO-17211-01 | C - 4 | 5HO-2175U-00 | C - 11 | 2JX-23435-00-35 | C - 14 |
| 5HO-1111F-00 | B - 2 | 5Y9-12491-00 | E - 6 | 2JX-14451-00 | B - 9 | 5NO-17221-00 | C - 4 | 5EK-2177A-00 | C - 11 | 1E6-23441-10-35 | C - 14 |
| 5EK-11110-01 | B - 2 | 5HO-13300-02 | B - 8 | 2JX-14452-00 | B - 9 | 5NO-17231-00 | C - 4 | 5RS-22110-00 | C - 12 | 164-23462-00 | D - 2 |
| 5HO-11133-11 | B - 2 | 36X-13324-00 | B - 5 | 5LB-14453-10 | B - 9 | 5HO-17241-02 | C - 4 | 2JX-22123-00 | C - 12 | 3TB-23467-01 | D - 10 |
| 15A-11161-01 | B - 3 | 5HO-13326-01 | B - 8 | 5U8-14457-00 | B - 9 | 5NO-17241-01 | C - 4 | 2JX-22124-00 | C - 12 | 134-23484-10 | C - 14 |
| 15A-11162-00 | B - 3 | 5HO-13327-00 | B - 8 | 2JX-14458-00 | B - 9 | 2JX-17402-00 | C - 4 | 401-22127-00 | C - 12 | 2JX-24141-00 | D - 3 |
| 5HO-11162-00 | B - 3 | 4BE-13329-01 | B - 8 | 5RS-14589-00 | B - 10 | 5HO-17411-01 | C - 4 | 401-22128-01 | C - 12 | 5RS-24141-00 | D - 3 |
| 3Y1-11166-00 | B - 13 | 51Y-13411-00 | B - 8 | 5LB-14592-00 | B - 11 | 2JX-17456-00 | C - 4 | 30X-22129-00 | C - 13 | 26H-24145-00 | B - 9 |
| 371-11167-01 | B - 13 | 5HO-13440-00 | B - 8 | 2JX-14611-01 | B - 12 | 2JX-17471-00 | C - 5 | 2JX-22141-00 | C - 12 | 5LB-2416B-40 | D - 3 |
| 3NS-11181-00 | B - 2 | 15A-13447-00 | B - 8 | 5HO-14612-00 | B - 12 | 1RL-18110-00 | C - 7 | 34X-22151-01 | C - 12 | 22W-24181-00 | B - 12 |
| 5EK-11185-00 | B - 2 | 5LB-13584-00 | B - 9 | 4BE-14613-00 | B - 12 | 132-18113-01 | C - 7 | 38V-22199-00 | C - 12 | 4L0-24181-00 | D - 3 |
| 15A-11186-00 | B - 2 | 5LB-13586-02 | B - 9 | 5LB-14628-00 | B - 12 | | | 5FY-22210-20-33 | C - 13 | 30X-24182-01 | D - 3 |
| 15A-11187-00 | B - 2 | 5RS-14105-00 | B - 10 | 2JL-14711-11 | B - 12 | 5HO-18120-02 | C - 7 | 1M1-22216-00 | C - 13 | 30X-24183-01 | D - 3 |
| 3NS-11310-00 | B - 3 | 5FY-14196-00 | B - 11 | 3YF-14714-00 | B - 12 | 1RH-18140-00 | C - 6 | 34X-22311-00 | C - 12 | 30X-24186-01 | D - 3 |
| 4DD-11351-00 | B - 3 | 5FY-14197-00 | B - 11 | 2JX-14728-00 | B - 12 | 1RH-18185-00 | C - 6 | 5RS-23102-00 | C - 15 | 30X-24187-00 | D - 3 |
| 5NO-11400-00 | B - 4 | 5LB-14216-00 | B - 10 | 4BD-14766-00 | B - 12 | 4JG-18511-00 | C - 6 | 5RS-23103-00 | C - 15 | 5RS-24188-00 | C - 10 |
| 5NO-11412-09 | B - 4 | 5GM-14243-00 | B - 11 | 5LB-14936-00 | B - 10 | 4JG-18512-01 | C - 6 | 5RS-23110-00 | C - 15 | 23F-24500-01 | D - 3 |
| 5NO-11422-00 | B - 4 | 5LB-14275-00 | B - 10 | 5EK-15100-01 | B - 13 | 4JG-18513-00 | C - 6 | 2JN-23111-00 | C - 15 | 4X8-24512-00 | D - 3 |
| 15E-11454-00 | B - 4 | 5RS-14286-00 | B - 10 | 55X-15167-00 | B - 14 | 3GX-18531-00 | C - 6 | 3J2-23114-00 | C - 15 | 3AJ-24523-00 | D - 3 |
| 5HO-11496-00 | B - 4 | 5LB-14292-00 | B - 11 | 5HO-15351-00 | B - 8 | 3GX-18535-00 | C - 6 | | | 3AJ-24534-00 | D - 3 |
| 5HO-11531-00 | B - 4 | 5LB-14293-00 | B - 10 | 3Y1-15361-00 | B - 14 | 5NO-18540-00 | C - 6 | 22U-23118-01 | C - 15 | 214-24535-00 | B - 10 |
| 5HO-11536-00 | B - 4 | 5RS-14301-00 | B - 10 | 3Y1-15363-00 | B - 14 | 136-18542-00 | C - 6 | | | 11H-24602-03 | D - 3 |
| 4GA-11603-00 | B - 4 | 5LB-14321-00 | B - 10 | 2JX-15377-00 | B - 14 | 5EK-21110-10 | C - 8 | 51Y-23125-00 | C - 15 | 18A-24723-00 | D - 4 |
| 4GA-11605-00 | B - 4 | 4JP-14323-00 | B - 11 | 5EK-15410-00 | B - 14 | 2JX-21190-00-33 | C - 8 | 5EK-23126-00 | C - 15 | 5LB-24731-00 | D - 4 |
| 4GA-11607-00 | B - 4 | 2JX-14333-00 | B - 10 | 15A-15431-01 | B - 14 | 4R8-21308-00 | C - 8 | 5EK-23136-00 | C - 15 | 5LB-24734-00 | D - 4 |
| 25A-11631-00-Y0 | B - 4 | 5RS-14335-00 | B - 10 | 15A-15441-00 | B - 3 | 2JX-21315-00 | C - 8 | 5RS-23141-00 | C - 15 | 1L9-24741-A0 | D - 4 |
| 5NO-11633-00 | B - 4 | 5RS-14336-00 | B - 10 | 3AW-15451-03 | B - 14 | 1RL-21316-00-33 | C - 8 | 54G-23144-00 | C - 15 | 5LB-24770-00 | D - 4 |
| 25A-11636-00 | B - 4 | 5LB-1434A-00 | B - 10 | 4BE-15462-00 | B - 14 | 1RL-21337-00 | C - 8 | 22W-23145-L0 | C - 15 | 5EK-25111-00 | D - 5 |
| 25A-11638-00 | B - 4 | 5RS-14341-00 | B - 10 | 2HT-15512-00 | B - 15 | 1RL-21471-00-35 | C - 8 | 3DM-23149-10 | C - 15 | 322-25118-00 | D - 5 |
| 5NO-11651-00 | B - 4 | 5RS-14341-10 | B - 10 | 5HO-15517-00 | B - 15 | 34L-21485-00 | C - 8 | | | 5RS-2512A-00 | D - 5 |
| 5HO-11681-00 | B - 4 | 5LB-14342-17 | B - 10 | 5HO-15521-00 | B - 15 | 5RS-21511-00 | C - 10 | 22W-23153-L0 | C - 15 | 2JX-25181-10 | D - 5 |
| 5NO-12111-01 | B - 6 | 288-14343-67 | B - 10 | 4H7-15580-10 | B - 15 | 5RS-21512-00 | C - 10 | 509-23158-L0 | C - 15 | 5RS-25188-00 | D - 5 |
| 4G0-12113-01 | B - 6 | 5EK-14348-00 | B - 10 | 1J7-15583-01 | B - 15 | 5RS-21519-00 | C - 10 | | | 5EK-25190-00 | D - 5 |
| 4G0-12114-01 | B - 6 | 50M-14355-00 | B - 10 | 36X-16111-00 | C - 2 | 3WF-2153E-70 | C - 10 | 5RS-23170-00 | C - 15 | 4TP-25304-10 | D - 5 |
| 4G0-12116-01 | B - 6 | 5LB-14357-00 | B - 10 | 36X-16150-00 | C - 2 | 2YG-21611-00 | C - 10 | 3R6-23173-L0 | C - 15 | 5RS-25304-00 | D - 7 |
| 4G0-12117-00 | B - 6 | 5EK-14363-00 | B - 10 | 5HO-16154-00 | C - 2 | 5EK-21621-00 | C - 10 | 5RS-23174-00 | C - 14 | 5RS-25311-00 | D - 7 |
| 4G0-12118-00 | B - 6 | 5RS-14364-00 | B - 10 | 537-16321-00 | C - 2 | 1YW-21638-00 | C - 11 | 278-23181-50 | C - 15 | 3Y6-25321-10 | D - 7 |
| 5HO-12119-00 | B - 6 | 5LB-14368-00 | B - 10 | 137-16324-00 | C - 2 | 5A8-21639-00 | E - 4 | | | 5RS-2533A-00 | D - 7 |
| 5NO-12121-01 | B - 6 | 5RS-14371-00 | B - 10 | 5HO-16351-00 | C - 2 | 2JX-21651-10 | C - 10 | 4CS-23191-20 | D - 2 | 5DV-25351-10 | D - 7 |
| 5HO-12146-00 | B - 6 | 5LB-14384-00 | B - 11 | 2JX-16356-00 | C - 2 | 2JX-21669-00 | C - 10 | 2K5-23192-00 | D - 2 | 5R0-25355-00 | D - 7 |

NUMERICAL INDEX

| PART NO. | GRID NO. | PART NO. | GRID NO. | PART NO. | GRID NO. | PART NO. | GRID NO. | PART NO. | GRID NO. | PART NO. | GRID NO. |
|--------------|----------|--------------|----------|--------------|----------|-------------|----------|-------------|----------|-------------|----------|
| 2JX-25381-10 | D - 8 | 120-27431-00 | D - 12 | 4MY-83350-01 | E - 7 | 9Y581-97125 | D - 8 | 90179-06524 | E - 3 | 90240-06076 | D - 11 |
| 3Y1-25388-01 | D - 8 | 5RS-27432-00 | D - 12 | 18G-83365-00 | D - 15 | 90101-06278 | D - 7 | 90179-08148 | E - 5 | 90240-07083 | B - 4 |
| 3Y1-25389-00 | D - 8 | 120-27433-00 | D - 12 | 4KG-83371-20 | E - 7 | 90101-10188 | B - 5 | 90179-22412 | C - 14 | 90240-10101 | D - 11 |
| 3HT-25398-00 | D - 7 | 2JX-27437-00 | D - 12 | 5EK-83509-00 | E - 2 | 90101-10303 | B - 7 | 90179-25033 | C - 14 | 90240-12075 | C - 13 |
| 15A-25451-20 | D - 7 | 2JX-27442-10 | D - 12 | 5Y1-83513-00 | E - 2 | 90105-06014 | B - 14 | 90179-25615 | C - 14 | 90249-12008 | D - 11 |
| 5LB-2580T-00 | D - 6 | 3MA-27491-00 | C - 12 | 123-83516-20 | E - 2 | 90105-06017 | B - 14 | 90185-08055 | C - 8 | 90267-40075 | C - 11 |
| 4JG-2582T-10 | D - 6 | | C - 9 | 15A-83519-00 | E - 2 | 90105-065A1 | B - 8 | 90185-08089 | C - 8 | 90269-04003 | C - 14 |
| 4GY-25852-01 | D - 10 | 2JX-28100-00 | C - 11 | 437-83525-00 | E - 2 | 90105-08066 | C - 8 | 90185-10037 | D - 12 | 90280-05013 | B - 5 |
| 5RB-25854-00 | D - 10 | 50M-81801-M0 | D - 14 | 1M1-83526-00 | E - 2 | 90105-08195 | B - 2 | 90185-12134 | C - 12 | 90282-05013 | B - 5 |
| 3RW-25867-00 | D - 10 | 59V-81828-M0 | D - 14 | 3RM-83536-00 | E - 2 | 90105-10638 | D - 6 | 90185-16127 | D - 8 | 90282-05043 | C - 2 |
| 5RS-25870-00 | D - 10 | 4JG-8183G-00 | D - 14 | 5LB-83550-00 | E - 2 | 90109-06005 | E - 4 | 90201-04018 | C - 11 | 90338-08007 | B - 9 |
| 5RS-25872-00 | D - 10 | 5RS-81890-00 | D - 14 | 5EK-83568-00 | E - 2 | 90109-06419 | B - 8 | 90201-05033 | E - 2 | 90338-12081 | C - 8 |
| 34X-25876-00 | D - 10 | 5EK-81940-00 | E - 6 | 3RM-83570-60 | E - 2 | 90109-065G4 | D - 6 | 90201-06557 | E - 4 | 90338-12192 | C - 10 |
| 5RS-25886-00 | D - 10 | 29U-81950-93 | E - 7 | 5RS-83570-00 | E - 2 | 90109-06577 | E - 5 | 90201-06765 | D - 4 | 90338-16148 | C - 14 |
| 36Y-2589H-00 | D - 10 | 3TJ-81960-02 | E - 6 | 4TR-83790-00 | B - 11 | 90109-06799 | E - 5 | 90201-08016 | B - 11 | 90340-14117 | B - 14 |
| 5JW-25914-00 | D - 6 | 4TP-82100-10 | E - 6 | 4GY-83912-00 | E - 5 | 90109-100E2 | C - 13 | 90201-083A0 | E - 4 | 90340-32080 | B - 14 |
| 4TT-25919-00 | D - 6 | 5FU-82103-00 | B - 11 | 55Y-83922-00 | E - 5 | 90109-10473 | D - 12 | 90201-08326 | B - 12 | 90380-12051 | C - 13 |
| 4TT-25937-00 | D - 6 | 5RS-82115-00 | E - 6 | 25G-83936-01 | E - 6 | 90110-06181 | C - 10 | 90201-08366 | C - 8 | 90380-18139 | C - 12 |
| 5RS-26111-00 | D - 9 | 5RS-82116-00 | E - 6 | 437-83936-01 | E - 5 | 90111-10004 | D - 11 | 90201-08609 | B - 2 | 90386-14103 | C - 2 |
| 4RR-26129-00 | D - 9 | 116-82131-00 | C - 11 | 5EK-83972-00 | E - 5 | 90116-08552 | D - 7 | 90201-100E9 | C - 13 | 90386-18146 | C - 12 |
| 1LX-26241-01 | D - 9 | 2T4-82131-00 | E - 6 | 5LB-83975-00 | E - 5 | 90119-05059 | C - 12 | 90201-10118 | D - 10 | 90387-06681 | C - 10 |
| 1LX-26242-01 | D - 9 | 3TJ-82131-00 | C - 11 | 3DM-83980-00 | E - 5 | 90119-05062 | C - 12 | 90201-10508 | B - 5 | 90387-06737 | C - 12 |
| 5BE-26243-00 | D - 9 | 2GH-82151-00 | E - 6 | 1M1-84164-60 | E - 3 | 90119-06056 | B - 9 | 90201-10591 | B - 7 | 90387-125F1 | B - 13 |
| 3Y1-26249-00 | D - 9 | 4KJ-82310-10 | E - 6 | 5RS-84310-00 | E - 3 | | | 90201-120E8 | C - 12 | 90387-125Y0 | B - 15 |
| 53L-26261-01 | D - 9 | 1UY-82370-20 | E - 6 | 5RS-84310-10 | E - 3 | | | 90201-12175 | C - 13 | 90387-15600 | D - 5 |
| 55V-26280-00 | D - 9 | 5EK-82510-00 | E - 7 | 5JX-84312-00 | E - 3 | 90119-06063 | B - 9 | 90201-12588 | C - 7 | 90387-17005 | D - 7 |
| 3LN-26281-01 | D - 9 | 2JX-82530-02 | E - 7 | 2F9-84314-00 | E - 3 | | | 90201-14740 | D - 5 | 90387-17006 | D - 7 |
| 3LN-26282-01 | D - 9 | 4GY-82540-10 | E - 7 | 42X-84315-01 | E - 3 | | | 90201-164H4 | D - 8 | 90387-255F3 | B - 7 |
| 55V-26290-00 | D - 9 | 5FY-82541-00 | E - 7 | 5RS-84330-00 | E - 3 | 90123-08046 | E - 5 | 90201-17257 | C - 4 | 90401-10159 | D - 10 |
| 5LB-26302-01 | D - 9 | 3MW-82560-00 | E - 7 | 341-84331-60 | E - 3 | 90149-06002 | B - 9 | 90201-201E4 | B - 4 | 90430-06014 | B - 13 |
| 5EK-26331-10 | D - 9 | 3LD-82566-60 | E - 7 | 1A0-84332-60 | E - 3 | 90149-06011 | D - 3 | 90201-20279 | D - 12 | | B - 2 |
| 5RS-26334-00 | D - 9 | 5RS-82590-00 | E - 6 | 198-84334-60 | E - 3 | 90149-06131 | E - 5 | 90201-220J8 | C - 4 | 90430-08119 | C - 2 |
| 5EK-26335-00 | D - 9 | 1UA-82591-00 | D - 10 | 1JA-84338-00 | E - 3 | 90149-08067 | C - 2 | 90201-25290 | B - 15 | 90430-10148 | E - 7 |
| 1E6-26342-00 | D - 9 | | E - 6 | 1JA-84345-00 | E - 3 | 90151-06013 | C - 6 | 90202-05191 | B - 12 | 90430-14131 | B - 2 |
| 4BE-2637G-10 | D - 9 | 341-82594-00 | E - 6 | 4E2-84347-00 | E - 3 | 90151-06038 | C - 8 | 90202-05193 | D - 3 | 90445-057G5 | D - 10 |
| 1E6-26372-00 | D - 9 | 1LN-82911-00 | E - 5 | 4JG-84397-00 | E - 3 | 90153-06029 | B - 2 | 90202-26142 | C - 14 | 90445-10458 | D - 3 |
| 1T5-26372-00 | E - 5 | 33G-82913-01 | E - 5 | 1M8-84521-40 | E - 4 | 90154-05004 | C - 10 | 90206-06090 | B - 12 | 90446-15377 | E - 6 |
| 128-27114-00 | C - 8 | 4GY-82917-01 | E - 5 | 1M1-84523-60 | E - 4 | 90154-05005 | B - 9 | 90208-04029 | C - 14 | 90450-44062 | B - 9 |
| 4N0-27114-00 | C - 8 | 3YF-83310-01 | D - 15 | 1M1-84524-60 | E - 4 | 90154-05013 | C - 11 | 90209-06187 | C - 12 | 90460-51059 | B - 9 |
| 5EK-27211-00 | D - 11 | 306-83311-40 | D - 15 | 56U-84710-41 | E - 4 | 90157-05008 | E - 7 | 90209-08098 | E - 3 | 90462-06001 | B - 2 |
| 5RS-27231-00 | D - 11 | 47J-83312-00 | D - 15 | 1A2-84714-41 | E - 4 | 90157-05084 | E - 3 | 90209-08125 | E - 4 | 90462-08224 | B - 13 |
| 1M1-27244-00 | D - 11 | 47J-83313-00 | D - 15 | 4G1-84744-00 | E - 2 | 90159-05011 | C - 2 | 90209-16209 | C - 4 | 90462-08225 | B - 13 |
| 2JX-27311-02 | D - 12 | 3YF-83320-01 | D - 15 | 4L0-84753-00 | E - 4 | 90164-04008 | E - 2 | 90209-18208 | C - 4 | | B - 14 |
| 5RS-27315-00 | D - 12 | 47J-83322-00 | D - 15 | 3Y6-85130-02 | E - 4 | 90170-06010 | E - 5 | 90214-20023 | B - 4 | 90464-06214 | D - 9 |
| 1TX-27351-00 | D - 12 | 3LD-83330-01 | D - 15 | 4WP-85510-10 | D - 13 | 90170-06128 | B - 6 | 90215-06184 | B - 2 | 90465-08020 | B - 13 |
| 5EK-27410-00 | D - 11 | 2KF-83332-00 | D - 15 | 5EK-85540-00 | E - 6 | 90170-14284 | B - 5 | 90215-14186 | C - 2 | 90465-08127 | B - 13 |
| 3LD-27413-00 | D - 11 | 3LD-83340-01 | D - 15 | 5BT-85550-00 | D - 13 | | | 90215-14205 | B - 5 | 90465-08364 | B - 14 |
| 5EK-27420-00 | D - 11 | 2KF-83342-00 | D - 15 | 4JG-85580-01 | D - 13 | 90175-06013 | D - 11 | | C - 2 | 90465-13152 | D - 9 |

NUMERICAL INDEX

| PART NO. | GRID NO. | PART NO. | GRID NO. | PART NO. | GRID NO. | PART NO. | GRID NO. | PART NO. | GRID NO. | PART NO. | GRID NO. |
|-------------|----------|-------------|----------|-------------|----------|-------------|----------|-------------|----------|----------|----------|
| 90465-13152 | E - 6 | 91701-06032 | D - 12 | 93306-20401 | C - 4 | 95027-06040 | B - 13 | 98507-04018 | D - 10 | | |
| 90465-13275 | E - 6 | 92017-08016 | D - 12 | 93306-20580 | C - 4 | 95027-06045 | B - 14 | 98507-05008 | D - 14 | | |
| 90465-16187 | B - 14 | 92901-08100 | D - 2 | 93306-30317 | D - 7 | 95027-06085 | B - 13 | 98507-05018 | C - 14 | | |
| 90467-09006 | D - 3 | 92907-04200 | C - 10 | 93306-30427 | B - 4 | 95027-06090 | B - 13 | | E - 5 | | |
| 90467-10041 | B - 9 | 92907-04600 | D - 10 | | B - 5 | 95307-05600 | C - 14 | 98507-05020 | D - 9 | | |
| 90467-11106 | B - 9 | 92907-05100 | D - 14 | 93306-30611 | B - 4 | 95307-06600 | C - 2 | | E - 5 | | |
| 90467-14015 | B - 13 | | E - 5 | 93310-530J3 | B - 4 | | D - 7 | 98507-05025 | D - 9 | | |
| 90480-01141 | C - 11 | 92907-05600 | C - 10 | 93315-23607 | C - 6 | 95307-06700 | D - 11 | 98507-05030 | E - 5 | | |
| 90480-12053 | C - 10 | | C - 14 | 93399-99942 | C - 14 | 95307-12700 | D - 15 | 98507-06010 | C - 5 | | |
| 90480-12299 | C - 8 | 92907-06100 | D - 4 | 93410-20038 | C - 4 | 95607-04100 | C - 10 | 98707-06030 | B - 8 | | |
| 90480-13197 | C - 11 | 92907-06200 | C - 2 | 93410-22039 | C - 4 | 95607-05100 | C - 10 | 98901-04006 | B - 11 | | |
| 90501-04596 | B - 15 | | D - 11 | 93420-28055 | C - 3 | 95607-05200 | C - 10 | 98907-04012 | C - 10 | | |
| 90501-07629 | B - 4 | 92907-06600 | B - 7 | 93440-10085 | B - 2 | 95607-06100 | E - 4 | 98907-05020 | C - 10 | | |
| 90501-10245 | D - 11 | | C - 8 | 93450-16068 | B - 4 | | E - 5 | 98907-06010 | B - 12 | | |
| 90501-10312 | E - 5 | | D - 10 | 93505-16006 | C - 2 | 95607-08200 | D - 7 | 99001-10600 | C - 7 | | |
| 90501-18576 | B - 8 | | D - 3 | 93602-13177 | B - 4 | 95607-14100 | D - 5 | 99009-17400 | C - 4 | | |
| 90501-21133 | B - 4 | | E - 7 | 93603-12030 | B - 8 | 95617-10100 | C - 13 | | C - 5 | | |
| 90501-23630 | C - 2 | 92907-08600 | B - 12 | 93604-10011 | B - 7 | 95704-05500 | E - 4 | 99247-00080 | C - 10 | | |
| 90506-08227 | C - 7 | 93101-15101 | C - 4 | 93604-16092 | C - 6 | 95707-08500 | E - 3 | 99247-00100 | C - 11 | | |
| 90506-12001 | D - 7 | 93102-12106 | C - 7 | 93604-20156 | C - 6 | 95804-06040 | E - 2 | 99530-12016 | B - 13 | | |
| 90506-15001 | D - 7 | 93102-14209 | C - 2 | 93605-10090 | B - 4 | 95807-06012 | C - 14 | | B - 14 | | |
| 90506-18224 | D - 12 | 93102-17187 | C - 5 | 93608-50158 | C - 7 | | D - 10 | 99530-14016 | B - 2 | | |
| 90506-18289 | D - 11 | 93102-20281 | D - 5 | 93615-12088 | B - 15 | | E - 7 | | B - 3 | | |
| 90506-26225 | D - 12 | 93102-22389 | C - 4 | 93700-06009 | C - 12 | 95807-06016 | E - 4 | | | | |
| 90508-18537 | C - 2 | 93106-25022 | D - 7 | 93823-14149 | C - 4 | 95817-08016 | B - 12 | | | | |
| 90508-20583 | D - 11 | 93109-14021 | D - 7 | 94113-18009 | D - 5 | 95817-08050 | C - 8 | | | | |
| 90508-26539 | C - 6 | 93109-18020 | C - 12 | 94118-14008 | D - 7 | 95817-08065 | C - 8 | | | | |
| 90508-29540 | C - 7 | 93210-07135 | B - 8 | 94213-18232 | D - 5 | 95817-08120 | C - 8 | | | | |
| 90560-15312 | D - 5 | 93210-09165 | B - 6 | 94218-14251 | D - 7 | 95824-08035 | C - 14 | | | | |
| 90560-17305 | D - 7 | 93210-13361 | B - 3 | 94318-14149 | D - 7 | 95827-06012 | C - 8 | | | | |
| 90560-17368 | C - 5 | 93210-14104 | D - 7 | 94340-18086 | D - 5 | 95827-12025 | D - 11 | | | | |
| 91317-06010 | B - 14 | 93210-14369 | B - 14 | 94425-18603 | D - 5 | 97007-05010 | C - 4 | | | | |
| | D - 10 | 93210-19123 | B - 14 | 94445-14004 | D - 7 | 97007-06012 | B - 2 | | | | |
| | D - 11 | 93210-25711 | D - 14 | 94580-41104 | B - 7 | | D - 3 | | | | |
| 91317-06018 | B - 2 | 93210-32172 | B - 14 | 94681-97001 | D - 8 | 97007-06016 | C - 8 | | | | |
| 91317-06020 | B - 12 | 93210-347A1 | B - 8 | 94701-00333 | B - 2 | | E - 7 | | | | |
| | D - 13 | 93210-35537 | B - 9 | 95024-06014 | C - 10 | 97007-06020 | C - 12 | | | | |
| 91317-06025 | B - 7 | 93210-48364 | C - 2 | 95024-08030 | E - 3 | | D - 11 | | | | |
| | D - 13 | 93210-54175 | B - 8 | 95024-08050 | C - 14 | 97007-06025 | D - 10 | | | | |
| 91317-06030 | B - 3 | 93210-55669 | D - 14 | 95027-06008 | E - 6 | 97017-06020 | D - 4 | | | | |
| 91317-08016 | B - 12 | 93210-57634 | B - 2 | 95027-06016 | E - 6 | 97027-06016 | B - 7 | | | | |
| 91317-08020 | B - 15 | 93210-63489 | B - 3 | 95027-06020 | B - 2 | 97027-06020 | C - 7 | | | | |
| 91317-08025 | B - 12 | 93211-05471 | B - 2 | | E - 3 | 97321-08035 | D - 2 | | | | |
| 91317-08045 | B - 2 | 93306-20201 | C - 4 | 95027-06025 | B - 14 | 97706-40620 | D - 15 | | | | |
| 91401-20012 | D - 11 | 93306-20203 | D - 5 | | B - 8 | 97707-40620 | D - 15 | | | | |
| | D - 12 | 93306-20313 | C - 5 | | E - 6 | 97707-50520 | B - 9 | | | | |
| 91401-25015 | D - 11 | 93306-20332 | C - 4 | 95027-06030 | B - 13 | 97801-03008 | D - 3 | | | | |
| 91401-30025 | C - 13 | 93306-20348 | D - 7 | 95027-06035 | B - 14 | 97801-05010 | B - 10 | | | | |