



PARTS CATALOGUE

- YFA1R** (5VJ1)U49
- YFA1RC** (5VJ2)CALIFORNIA
- YFA1R** (5VJ3)CANADA
- YFA1R** (5VJ3)EUROPE
- YFA-1** (5VJ1)JAPAN
-

YFA1R/YFA1RC/YFA-1
PARTS CATALOGUE
©2002 by Yamaha Motor Co., Ltd.
1st Edition, Apr. 2002
All rights reserved.
Any reprinting or unauthorized use
without the written permission of
Yamaha Motor Co., Ltd.
is expressly prohibited.
Printed in Japan

A3



A4

FOREWORD

This Parts Catalogue is related to the parts for the model(s) in the below frame. When you are ordering replacement parts, please refer to this Parts Catalogue and quote both part numbers and part names correctly.

YFA1R/YFA-1(5VJ1), YFA1RC(5VJ2), YFA1R(5VJ3)

1. Modifications or additions which have been made after issue of the Parts Catalogue will be announced in the Yamaha Parts News.
It is advisable that you make necessary corrections to the Parts Catalogue according to the Yamaha Parts News.

2. Abbreviations
The Following abbreviations are used in this Parts Catalogue.

“UR” Use specified parts number.

“UN” Use as many as needed.

“AP” Alternate Parts

“LM” Local Made (Parts need to be ordered locally)

“F#” Frame No. (Applicable machine No.)

3. Parts, which are to be supplied in an assembly, are listed with a dot(.) in front of the part name as shown below.

EXAMPLE

CARBURETOR ASSY

.JET, PILOT

.NOZZLE, MAIN

4. Number of component for assembly
The numeral appearing to the right of each component part indicates the quantity of parts for each assembly unit.

EXAMPLE

PART NO.	DESCRIPTION	Q'TY	REMARKS
2F5-83310-60	FRONT FLASHER LIGHT ASSY	2	
115-83311-60	.BULB (6V-18W)	1	
1M1-83309-60	.REFLECTOR	1	

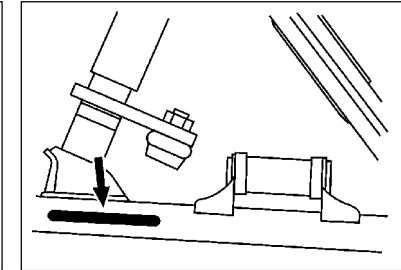
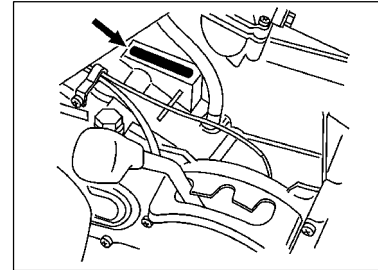
5. Applicable colors of graphics are represented in the “REMARKS” as shown below.

PART NO.	DESCRIPTION	Q'TY	REMARKS
2N4-24110-00-X5	FUEL TANK COMP.	1	MXR
3J1-24240-10	.GRAPHIC, FUEL TANK	1	FOR MXR

6. Applicable Serial No.

Engine Serial No.

Frame Serial No.



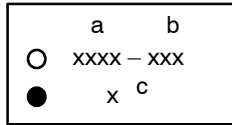
7. Note that the illustrations for reference in finding parts numbers, not to be used for assembling. When assembling, please use the applicable service manual.

8. The asterisk (*) before a reference number indicates modification items after the first edition.

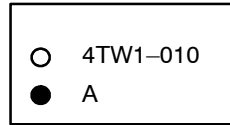
MODEL LABEL

(1) A label called "Model Label" is affixed in the location as indicated in (3) below.
When using this parts catalogue, please be sure to cross-refer the "model code – production code No." in the catalogue to the "model code – production code No." indicated on the Model Label affixed onto the product concerned.

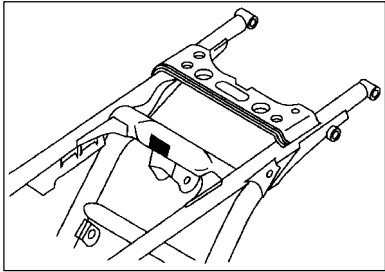
(2) "Model Label" Indication



a: Model Type Code
b: Production Code No.
c: Colouring Type



(3) Model Label Affixing Location



(4) Model Code – Production Code Number of Model Listed in This Parts Catalog

Model Code	Production Code No.	Country (destination)	Model Code	Production Code No.	Country (destination)
5VJ1	010	U49			
	020	JAPAN			
5VJ2	010	CALIFORNIA			
5VJ3	010	CANADA			
	020	FRANCE			
	030	ENGLAND			

(5) Colouring Information

Model Code	Colouring type code	Colour code	Colour Name	Abbreviation
5VJ1	A	0583	DEEP PURPLISH BLUE SOLID E	DPBSE
5VJ2	B	00K0	PASTEL DEEP GREEN	PDG
5VJ3	A	0583	DEEP PURPLISH BLUE SOLID E	DPBSE

CONTENTS

ENGINE

CYLINDER HEAD	B2
CRANKSHAFT. PISTON	B3
VALVE	B4
CAMSHAFT. CHAIN	B5
OIL PUMP	B6
INTAKE	B7
CARBURETOR	B8
EXHAUST	B10
CRANKCASE	B11
CRANKCASE COVER 1	B13
STARTER CLUTCH	B14
CLUTCH	B15
TRANSMISSION	C3
SHIFT CAM. FORK	C5

CHASSIS

FRAME	C6
FRONT FENDER	C7
REAR FENDER	C8
REAR ARM. SUSPENSION	C9
STEERING	C10
FRONT SUSPENSION. WHEEL	C11
FUEL TANK	C12
SEAT	C13
FRONT WHEEL	C14
REAR WHEEL	D2
STEERING HANDLE. CABLE	D4
STAND. FOOTREST	D6
GUARD	D7

GENERATOR	D8
STARTING MOTOR	D9
HEADLIGHT	D10
TAILLIGHT	D11
HANDLE SWITCH. LEVER	D12
ELECTRICAL 1	D13
ELECTRICAL 2	D15
EMBLEM.LABEL 1	E2
EMBLEM.LABEL 2	E3
EMBLEM.LABEL 3	E4
EMBLEM.LABEL 4	E5

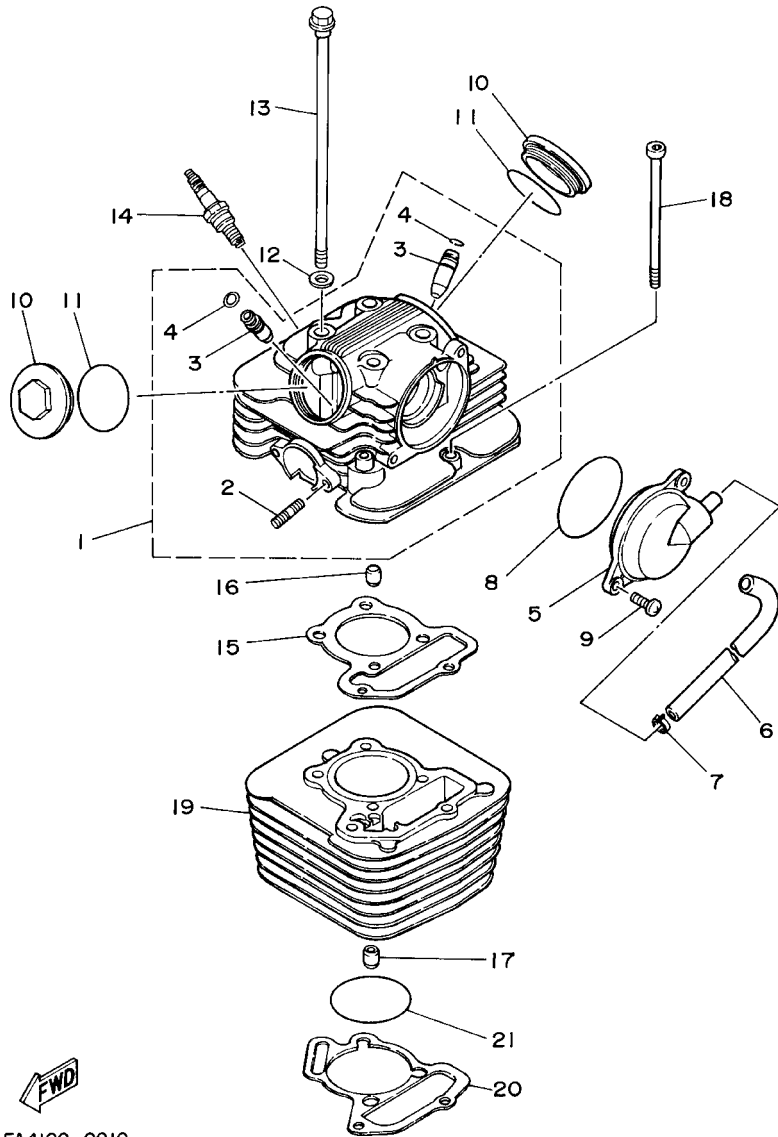
ALTERNATE PARTS

ALTERNATE (ENGINE)	E6
--------------------------	----

INDEX

NUMERICAL INDEX	M1
-----------------------	----

FIG. 1 CYLINDER HEAD

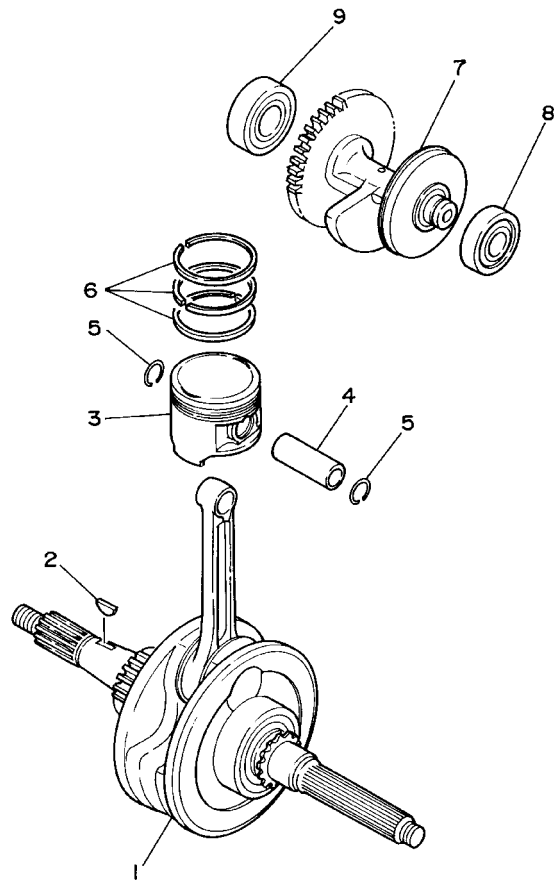


REF. NO.	PART NO.	DESCRIPTION	U49	CAL	CAN	EUR	JPN	REMARKS
1	3FA-11110-02	CYLINDER HEAD ASSY	1	1	1	1	1	
2	90116-06541	.BOLT, STUD	2	2	2	2	2	
3	22F-11134-10	.GUIDE, EXHAUST VALVE	2	2	2	2	2	
4	93440-10109	.CIRCLIP	2	2	2	2	2	
5	3FA-11160-00	BREATHER ASSY	1	1	1	1	1	
6	3FA-11166-00	PIPE, BREATHER 1	1	1	1	1	1	
7	90467-13064	CLIP	1	1	1	1	1	
8	93210-63556	O-RING	1	1	1	1	1	
9	98507-06016	SCREW	2	2	2	2	2	
10	22F-11186-00	COVER, CYLINDER HEAD SIDE 2	2	2	2	2	2	
11	93210-44704	O-RING	2	2	2	2	2	
12	90201-08609	WASHER, PLATE	4	4	4	4	4	
13	90105-08324	BOLT, FLANGE	4	4	4	4	4	
14	94701-00250	PLUG, SPARK (NGK CR7HS)	1	1	1	1		
	90793-20071	PLUG, SPARK (NGK CR7HS)					1	
15	50M-11181-00	GASKET, CYLINDER HEAD 1	1	1	1	1	1	
16	99530-10114	PIN, DOWEL	2	2	2	2	2	
17	99530-10114	PIN, DOWEL	2	2	2	2	2	
18	91317-06110	BOLT	2	2	2	2	2	
19	3FA-11310-00	CYLINDER	1	1	1	1	1	
20	3FA-11351-10	GASKET, CYLINDER	1	1	1	1	1	
21	93210-53679	O-RING	1	1	1	1	1	



3FA4100-0010

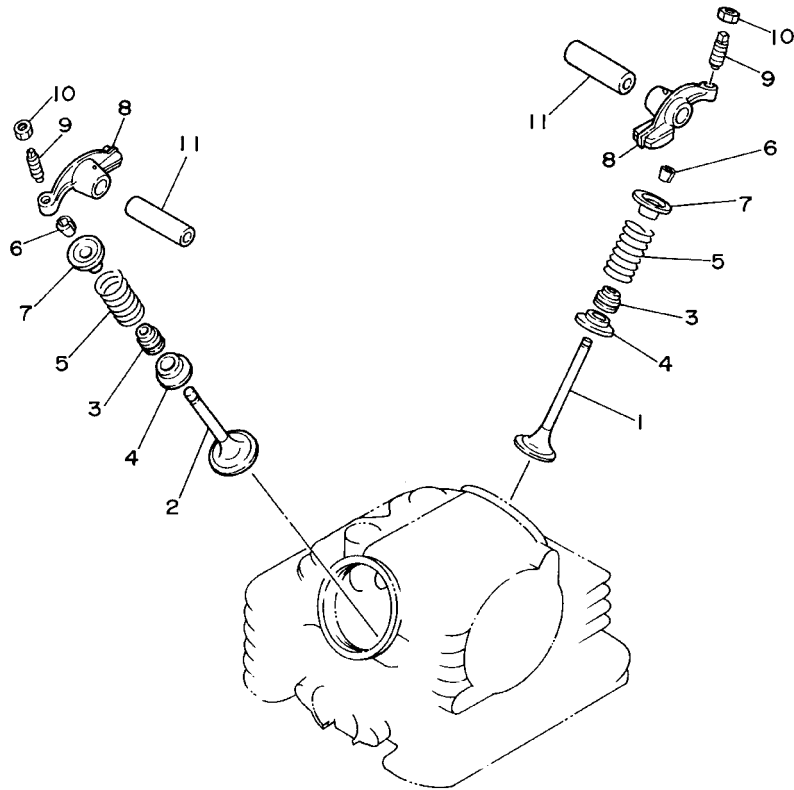
FIG. 2 CRANKSHAFT. PISTON



REF. NO.	PART NO.	DESCRIPTION	U49	CAL	CAN	EUR	JPN	REMARKS
1	3FA-11400-00	CRANKSHAFT ASSY	1	1	1	1	1	
2	90280-03047	KEY, WOODRUFF	1	1	1	1	1	
3	3FA-11631-00-A0	PISTON (STD)	1	1	1	1	1	
	3FA-11636-00	PISTON (0.50MM O/S)	1	1	1	1	1	AP
	3FA-11638-00	PISTON (1.00MM O/S)	1	1	1	1	1	AP
4	22K-11633-01	PIN, PISTON	1	1	1	1	1	
5	93450-14088	CIRCLIP	2	2	2	2	2	
6	2HX-11610-00	PISTON RING SET (STD)	1	1	1	1	1	
	2HX-11610-20	PISTON RING SET (0.50MM O/S)	1	1	1	1	1	AP
	2HX-11610-40	PISTON RING SET (1.00MM O/S)	1	1	1	1	1	AP
7	3FA-11500-00	BALANCER ASSY	1	1	1	1	1	
8	93306-20215	BEARING	1	1	1	1	1	
9	93306-20336	BEARING	1	1	1	1	1	



3FA1110-9020



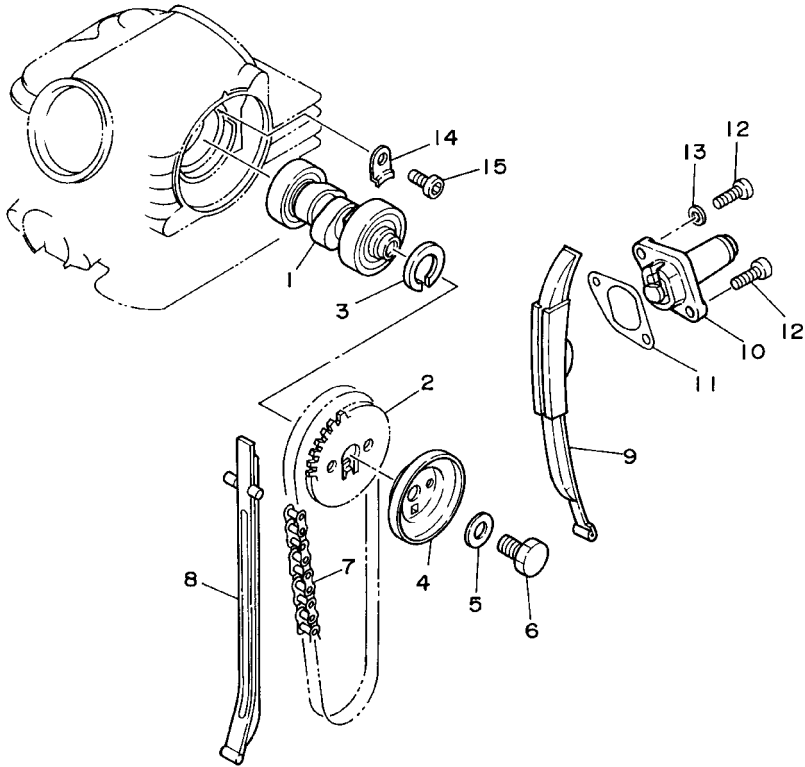
3FA1110-9030

FIG. 3 VALVE

REF. NO.	PART NO.	DESCRIPTION	U49	CAL	CAN	EUR	JPN	REMARKS
1	50M-12111-00	VALVE, INTAKE	1	1	1	1	1	
2	50M-12121-01	VALVE, EXHAUST	1	1	1	1	1	
3	2HX-12119-00	SEAL, VALVE STEM	2	2	2	2	2	
4	22F-12116-00	SEAT, VALVE SPRING	2	2	2	2	2	
5	3FA-12113-00	SPRING, VALVE INNER	2	2	2	2	2	
6	22F-12118-01	COTTER, VALVE	4	4	4	4	4	
7	22F-12117-02	RETAINER, VALVE SPRING	2	2	2	2	2	
8	50M-12151-00	ARM, VALVE ROCKER	2	2	2	2	2	
9	22F-12159-00	SCREW, VALVE ADJUSTING	2	2	2	2	2	
10	90170-05302	NUT	2	2	2	2	2	
11	22F-12156-00	SHAFT, ROCKER 2	2	2	2	2	2	

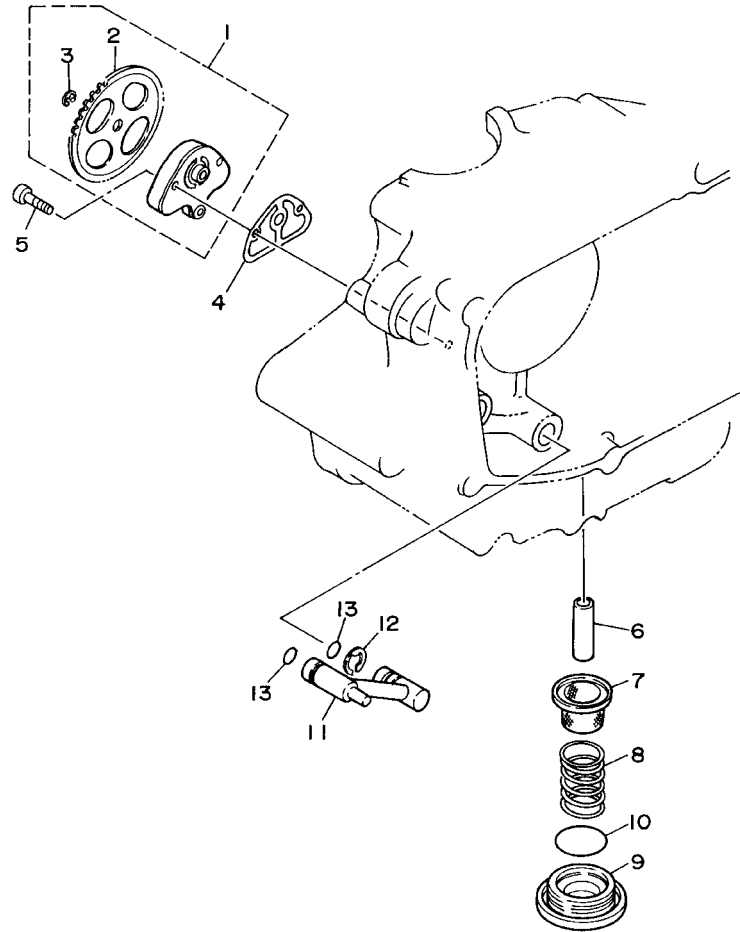
FIG. 4 CAMSHAFT. CHAIN

REF. NO.	PART NO.	DESCRIPTION	U49	CAL	CAN	EUR	JPN	REMARKS
1	50M-12170-00	CAMSHAFT ASSY 1	1	1	1	1	1	
2	50M-12176-00	SPROCKET, CAM CHAIN (28T)	1	1	1	1	1	
3	90387-167L5	COLLAR	1	1	1	1	1	
4	3FA-11145-00	PLATE, BREATHER 2	1	1	1	1	1	
5	90201-08326	WASHER, PLATE	1	1	1	1	1	
6	90101-08590	BOLT	1	1	1	1	1	
7	94580-25092	CHAIN	1	1	1	1	1	
8	50M-12231-00	GUIDE, STOPPER 1	1	1	1	1	1	
9	50M-12241-00	GUIDE, STOPPER 2	1	1	1	1	1	
10	50M-12210-00	TENSIONER ASSY, CAM CHAIN	1	1	1	1	1	
11	4RF-12213-00	GASKET, TENSIONER CASE	1	1	1	1	1	
12	91317-06016	BOLT	2	2	2	2	2	
13	90430-06014	GASKET	1	1	1	1	1	
14	50M-1111F-00	PLATE	1	1	1	1	1	
15	91317-06012	BOLT	1	1	1	1	1	



3FA1110-9040

FIG. 5 OIL PUMP

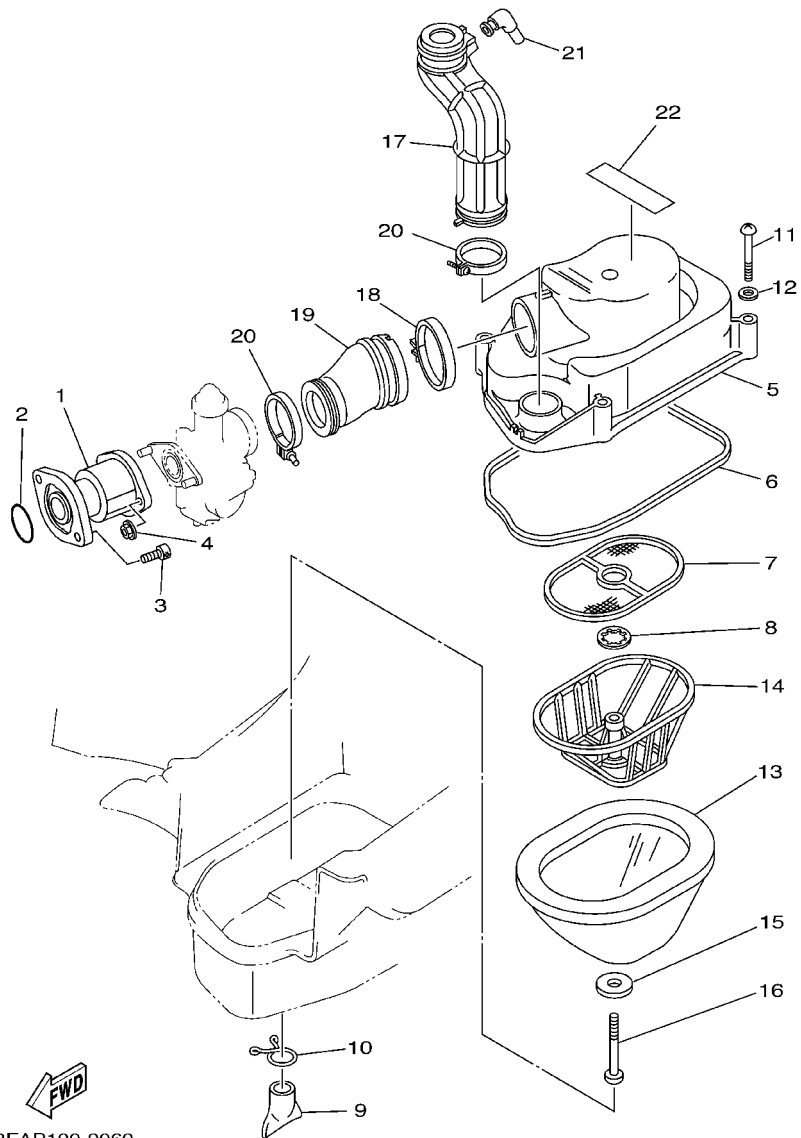


REF. NO.	PART NO.	DESCRIPTION	U49	CAL	CAN	EUR	JPN	REMARKS
1	3FA-13300-00	OIL PUMP ASSY	1	1	1	1	1	
2	3FA-13325-00	.GEAR, PUMP DRIVEN	1	1	1	1	1	
3	99001-05600	.CIRCLIP	1	1	1	1	1	
4	22F-13329-01	GASKET, PUMP COVER	1	1	1	1	1	
5	90155-06007	SCREW, FLAT FILLISTER	2	2	2	2	2	
6	3Y1-13416-01	PIPE, OIL 1	1	1	1	1	1	
7	51Y-13411-00	STRAINER, OIL	1	1	1	1	1	
8	90501-18576	SPRING, COMPRESSION	1	1	1	1	1	
9	30X-15351-00	PLUG, DRAIN	1	1	1	1	1	
10	93210-347A1	O-RING	1	1	1	1	1	
11	3FA-13405-00	OIL PIPE COMP. 1	1	1	1	1	1	
12	99001-10600	CIRCLIP	1	1	1	1	1	
13	93210-08006	O-RING	2	2	2	2	2	



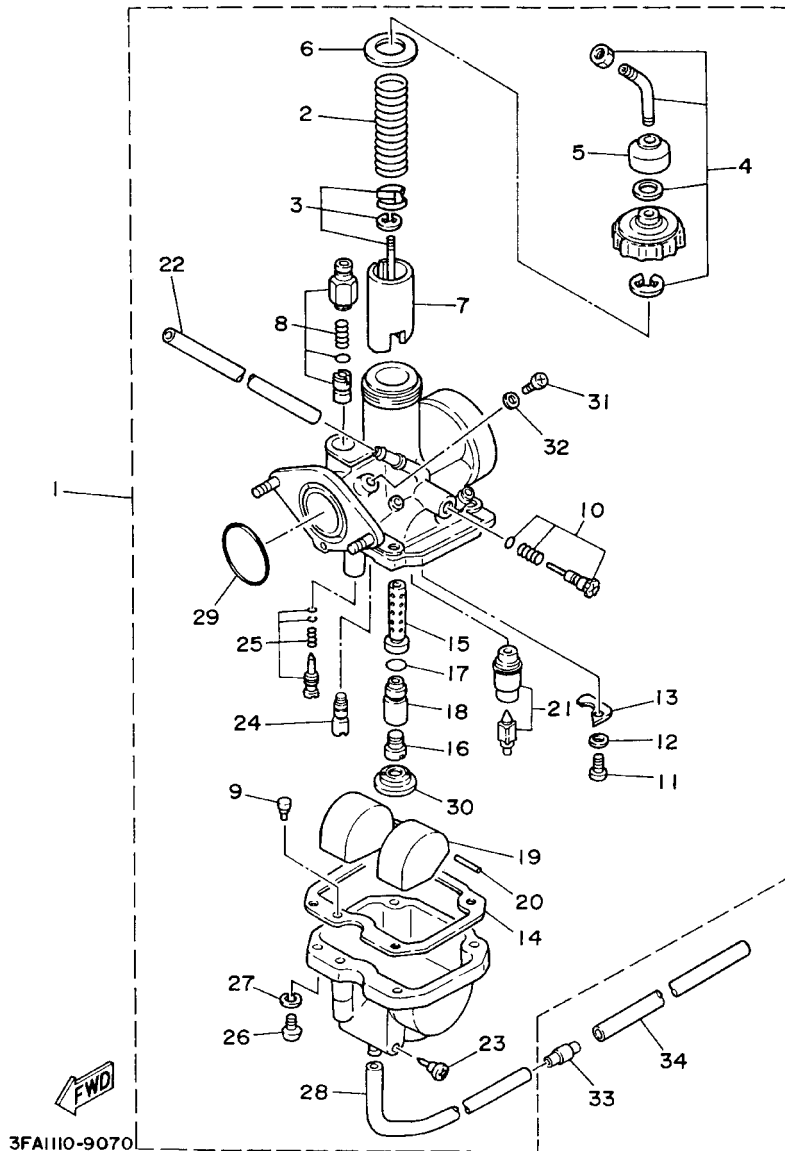
3FA1110-9050

FIG. 6 INTAKE



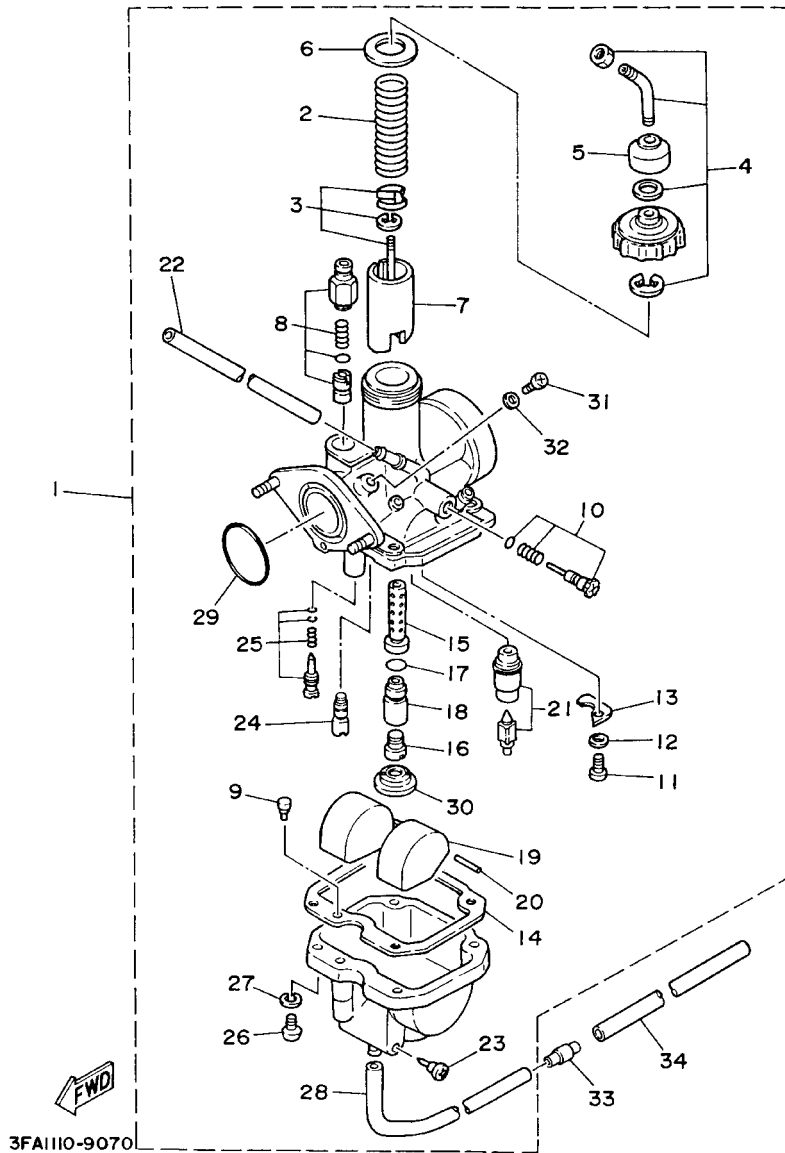
REF. NO.	PART NO.	DESCRIPTION	U49	CAL	CAN	EUR	JPN	REMARKS
1	3FA-13586-00	JOINT, CARBURETOR 1	1	1	1	1	1	
2	93210-30611	O-RING	1	1	1	1	1	
3	91317-06020	BOLT	2	2	2	2	2	
4	95707-06500	NUT, FLANGE	2	2	2	2	2	
5	3FA-14412-01	CAP, CLEANER CASE 1	1	1	1	1	1	
6	36F-14452-00	SEAL	1	1	1	1	1	
7	3FA-14472-00	PLATE, ELEMENT	1	1	1	1	1	
8	3FA-14424-00	CLIP, CAP FITTING	1	1	1	1	1	
9	59V-14457-00	SEAL	1	1	1	1	1	
10	90467-22080	CLIP	1	1	1	1	1	
11	98507-05050	SCREW	4	4	4	4	4	
12	92907-05600	WASHER, PLATE	4	4	4	4	4	
13	2XJ-14451-00	ELEMENT, AIR CLEANER	1	1	1	1	1	
14	2XJ-14458-00	GUIDE	1	1	1	1	1	
15	90209-06096	WASHER	1	1	1	1	1	
16	98507-06060	SCREW	1	1	1	1	1	
17	3FA-14437-00	DUCT	1	1	1	1	1	
18	90460-58124	CLAMP, HOSE	1	1	1	1	1	
19	3FA-14453-00	JOINT, AIR CLEANER 1	1	1	1	1	1	
20	90450-45075	HOSE CLAMP ASSY	2	2	2	2	2	
21	2NL-14419-00	PIPE	1	1	1	1	1	
22	5VJ-2179T-00	PLATE, EPA 3(CALIFORNIA)		1				

FIG. 7 CARBURETOR



REF. NO.	PART NO.	DESCRIPTION	U49	CAL	CAN	EUR	JPN	REMARKS
1	5VJ-14101-00	CARBURETOR ASSY 1	1		1	1	1	
	5VJ-14101-10	CARBURETOR ASSY 1		1				
2	21V-14131-00	.SPRING, THROTTLE VALVE	1	1	1	1	1	
3	3FA-1490J-00	.NEEDLE SET	1		1	1	1	
	3FA-1490J-10	.NEEDLE SET		1				
4	10X-14106-00	.CABLE ADJUST SCREW SET	1	1	1	1	1	
5	3X3-14169-00	.CAP	1	1	1	1	1	
6	4U5-14126-00	.GASKET	1	1	1	1	1	
7	3FA-14112-25	.VALVE, THROTTLE 1	1	1	1	1	1	
8	5VJ-1410A-00	.STARTER SET	1	1	1	1	1	
9	18M-14144-09	.JET, STARTER	1	1	1	1	1	
10	18G-14103-00	.THROTTLE SCREW SET	1	1	1	1	1	
11	97802-03008	.SCREW, PAN HEAD	1	1	1	1	1	
12	92902-03100	.WASHER, WAVE	1	1	1	1	1	
13	21V-14146-00	.PLATE	1	1	1	1	1	
14	24W-14184-00	.GASKET, FLOAT CHAMBER	1	1	1	1	1	
15	21V-14141-26	.NOZZLE, MAIN	1		1	1	1	
	21V-1414M-31	.NOZZLE, MAIN		1				
16	620-1423A-67	.JET, MAIN (#82.5)	1		1	1	1	
	620-1423A-66	.JET, MAIN (# 77.5)		1				
17	583-14561-00	.O-RING	1	1	1	1	1	
18	3FA-14148-00	.PIPE	1	1	1	1	1	
19	21V-14185-00	.FLOAT	1	1	1	1	1	
20	127-14186-00	.PIN, FLOAT	1	1	1	1	1	
21	21V-14190-18	.NEEDLE VALVE ASSY	1	1	1	1	1	
22	3FA-14197-00	.PIPE	1	1	1	1	1	
23	12R-14191-00	.PLUG, DRAIN	1	1	1	1	1	

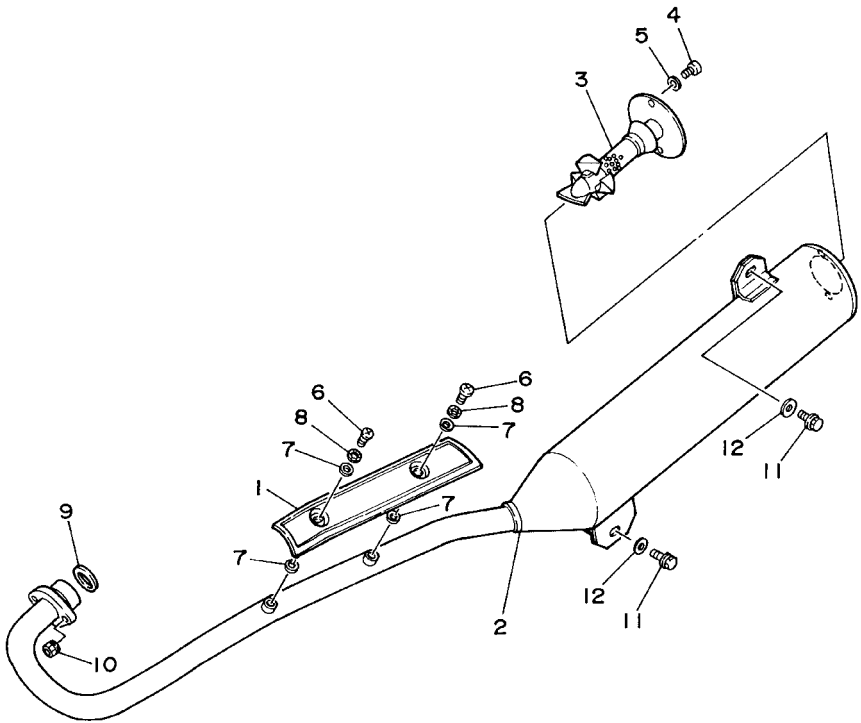
FIG. 7 CARBURETOR



REF. NO.	PART NO.	DESCRIPTION	U49	CAL	CAN	EUR	JPN	REMARKS
24	1NT-14142-12	.JET, PILOT (# 12.5)	1	1	1	1	1	
25	21V-14105-00	.PILOT SCREW SET	1	1	1	1	1	
26	98502-04014	.SCREW, PAN HEAD	4	4	4	4	4	
27	92902-04100	.WASHER, SPRING	4	4	4	4	4	
28	29U-14197-00	.PIPE	1	1	1	1	1	
29	24W-14147-00	.O-RING	1	1	1	1	1	
30	5V7-14153-00	.WASHER, MAIN JET	1	1	1	1	1	
31	92502-06008	.SCREW, PAN HEAD	1	1	1	1	1	
32	59V-14962-00	.WASHER	1	1	1	1	1	
33	24W-14193-00	PIPE	1	1	1	1	1	
34	91A20-07010	TUBE, FLEXIBLE VINYL	1	1	1	1	1	

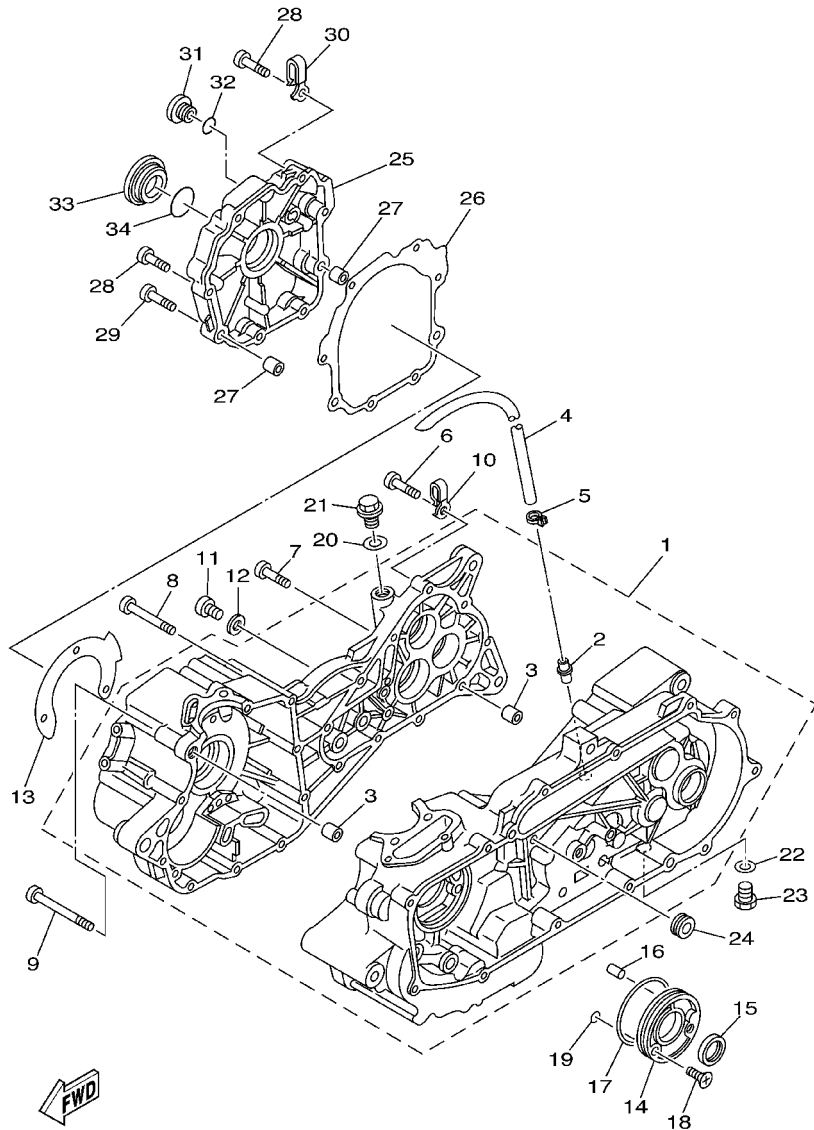
FIG. 8 EXHAUST

REF. NO.	PART NO.	DESCRIPTION	U49	CAL	CAN	EUR	JPN	REMARKS
1	3FA-14628-00	PROTECTOR, EXHAUST PIPE	1	1	1	1	1	
2	3FA-14711-00	MUFFLER 1	1	1	1	1	1	
3	55X-14752-00	PIPE, OUTLET	1	1	1	1	1	
4	98507-06010	SCREW	2	2	2	2	2	
5	92907-06600	WASHER, PLATE	2	2	2	2	2	
6	98907-06010	SCREW, BIND	2	2	2	2	2	
7	4BD-14766-00	WASHER, PROTECTOR	4	4	4	4	4	
8	90206-06090	WASHER, WAVE	2	2	2	2	2	
9	3DM-14613-00	GASKET, EXHAUST PIPE	1	1	1	1	1	
10	95707-06500	NUT, FLANGE	2	2	2	2	2	
11	95817-08016	BOLT, FLANGE	2	2	2	2	2	
12	90201-08326	WASHER, PLATE	2	2	2	2	2	



3FA1110-9080

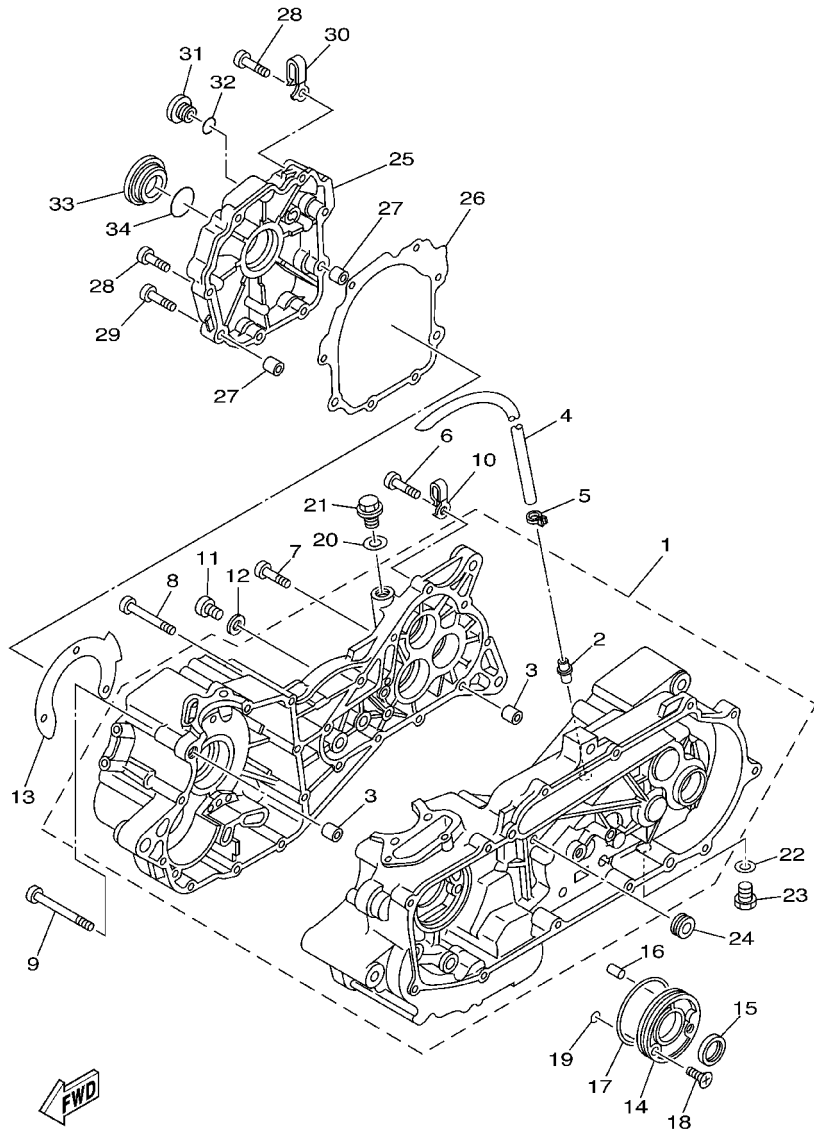
FIG. 9 CRANKCASE



5VJ1100-3090

REF. NO.	PART NO.	DESCRIPTION	U49	CAL	CAN	EUR	JPN	REMARKS
1	3FA-15100-00	CRANKCASE ASSY	1	1	1	1	1	
2	59V-11167-00	.PIPE, BREATHER 2	1	1	1	1	1	
3	99530-12016	.PIN, DOWEL	2	2	2	2	2	
4	90445-121F6	HOSE (L700)	1	1	1	1	1	
5	90467-13064	CLIP	1	1	1	1	1	
6	98507-06030	SCREW	9	9	9	9	9	
7	98507-06040	SCREW	1	1	1	1	1	
8	98507-06060	SCREW	9	9	9	9	9	
9	98507-06070	SCREW	1	1	1	1	1	
10	90465-08127	CLAMP	1	1	1	1	1	
11	98507-08012	SCREW	1	1	1	1	1	
12	90201-08087	WASHER, PLATE	1	1	1	1	1	
13	3FA-15462-10	GASKET, CRANKCASE COVER 3	1	1	1	1	1	
14	50M-15418-00	COVER, CHAIN CASE	1	1	1	1	1	
15	93102-22294	OIL SEAL	1	1	1	1	1	
16	93605-18078	PIN, DOWEL	1	1	1	1	1	
17	93210-704A7	O-RING	1	1	1	1	1	
18	98707-06016	SCREW, FLAT HEAD	2	2	2	2	2	
19	93210-06564	O-RING	2	2	2	2	2	
20	214-11198-01	GASKET	1	1	1	1	1	
21	90340-14132	PLUG, STRAIGHT SCREW	1	1	1	1	1	
22	90430-14043	GASKET	1	1	1	1	1	
23	90340-14036	PLUG, STRAIGHT SCREW	1	1	1	1	1	
24	90480-13018	GROMMET	1	1	1	1	1	
25	3FA-15787-00	ADAPTOR	1	1	1	1	1	
26	3FA-15461-10	GASKET, CRANKCASE COVER 2	1	1	1	1	1	
27	99530-10114	PIN, DOWEL	2	2	2	2	2	

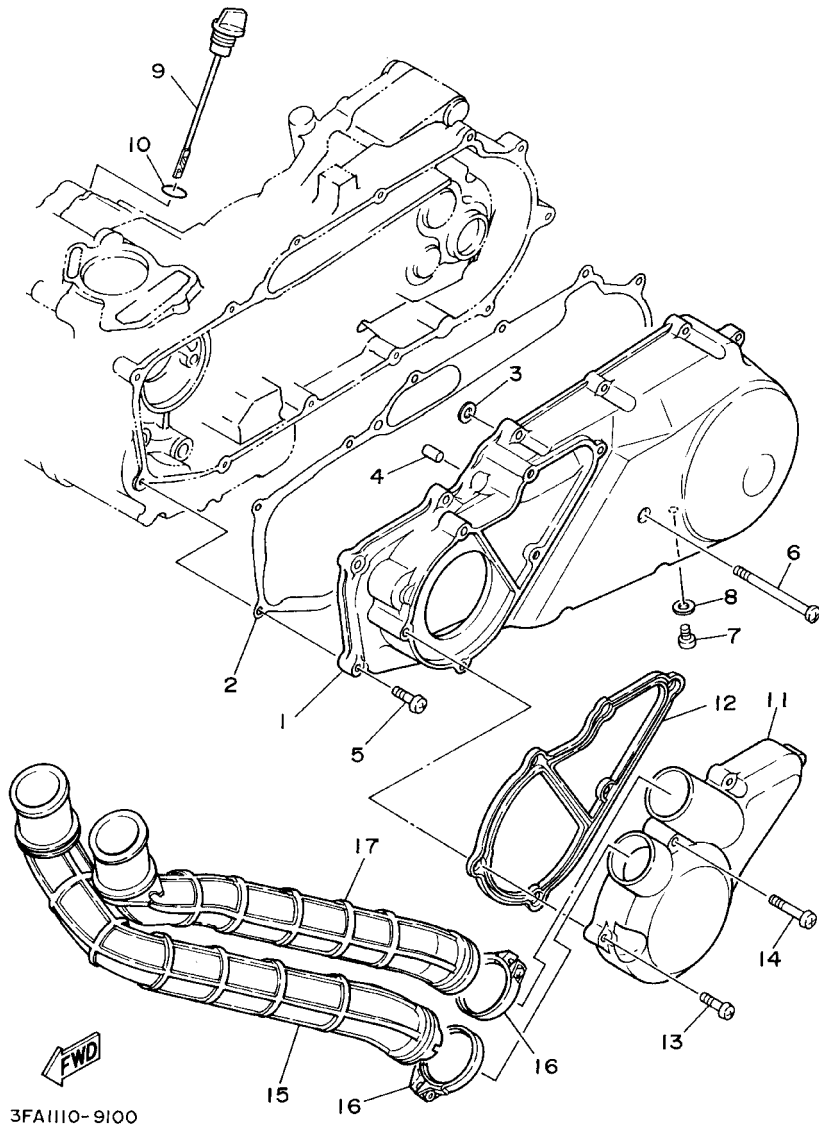
FIG. 9 CRANKCASE



FWD
5VJ1100-3090

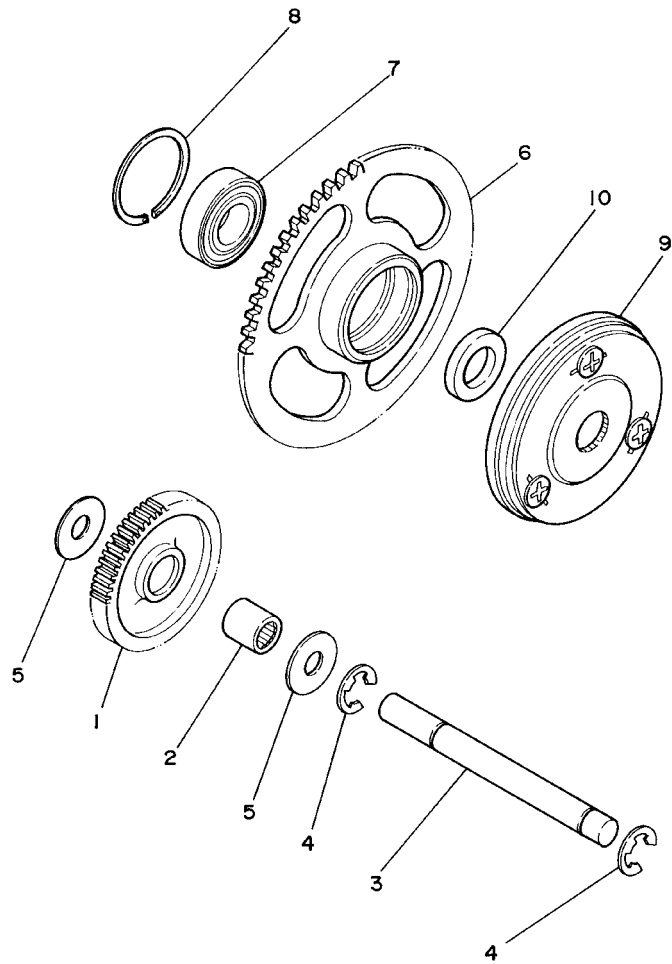
REF. NO.	PART NO.	DESCRIPTION	U49	CAL	CAN	EUR	JPN	REMARKS
28	98507-06030	SCREW	7	7	7	7	7	
29	98507-06040	SCREW	2	2	2	2	2	
30	90465-08125	CLAMP	2	2	2	2	2	
31	90340-14117	PLUG, STRAIGHT SCREW	1	1	1	1	1	
32	93210-14369	O-RING	1	1	1	1	1	
33	90340-36078	PLUG, STRAIGHT SCREW	1	1	1	1	1	
34	93210-357A3	O-RING	1	1	1	1	1	

FIG. 10 CRANKCASE COVER 1



REF. NO.	PART NO.	DESCRIPTION	U49	CAL	CAN	EUR	JPN	REMARKS
1	3FA-15411-00	COVER, CRANKCASE 1	1	1	1	1	1	
2	3FA-15451-11	GASKET, CRANKCASE COVER 1	1	1	1	1	1	
3	3FA-15467-00	GASKET	1	1	1	1	1	
4	99530-10114	PIN, DOWEL	2	2	2	2	2	
5	98507-06030	SCREW	12	12	12	12	12	
6	98507-06090	SCREW	1	1	1	1	1	
7	98507-06008	SCREW	1	1	1	1	1	
8	90201-06630	WASHER, PLATE	1	1	1	1	1	
9	3FA-15362-00	PLUG, OIL LEVEL	1	1	1	1	1	
10	93210-19123	O-RING	1	1	1	1	1	
11	3FA-15471-00	DUCT, AIR	1	1	1	1	1	
12	3FA-15472-00	SEAL, AIR DUCT	1	1	1	1	1	
13	98507-06030	SCREW	5	5	5	5	5	
14	98507-06045	SCREW	1	1	1	1	1	
15	3FA-15475-00	DUCT, AIR	1	1	1	1	1	
16	90460-54085	CLAMP, HOSE	2	2	2	2	2	
17	3FA-15477-00	DUCT, AIR	1	1	1	1	1	

FIG. 11 STARTER CLUTCH



REF. NO.	PART NO.	DESCRIPTION	U49	CAL	CAN	EUR	JPN	REMARKS
1	50M-15512-00	GEAR, IDLER 1 (55T/14T)	1	1	1	1	1	
2	93315-11040	BEARING	1	1	1	1	1	
3	3FA-15521-00	SHAFT 1	1	1	1	1	1	
4	99001-09600	CIRCLIP	2	2	2	2	2	
5	90201-10135	WASHER, PLATE	2	2	2	2	2	
6	50M-15524-00	WHEEL, STARTER (55T)	1	1	1	1	1	
7	93306-00307	BEARING	1	1	1	1	1	
8	93450-35015	CIRCLIP	1	1	1	1	1	
9	50M-15570-02	STARTER CLUTCH ASSY	1	1	1	1	1	
10	90201-163F8	WASHER, PLATE	1	1	1	1	1	



3FA110-9110

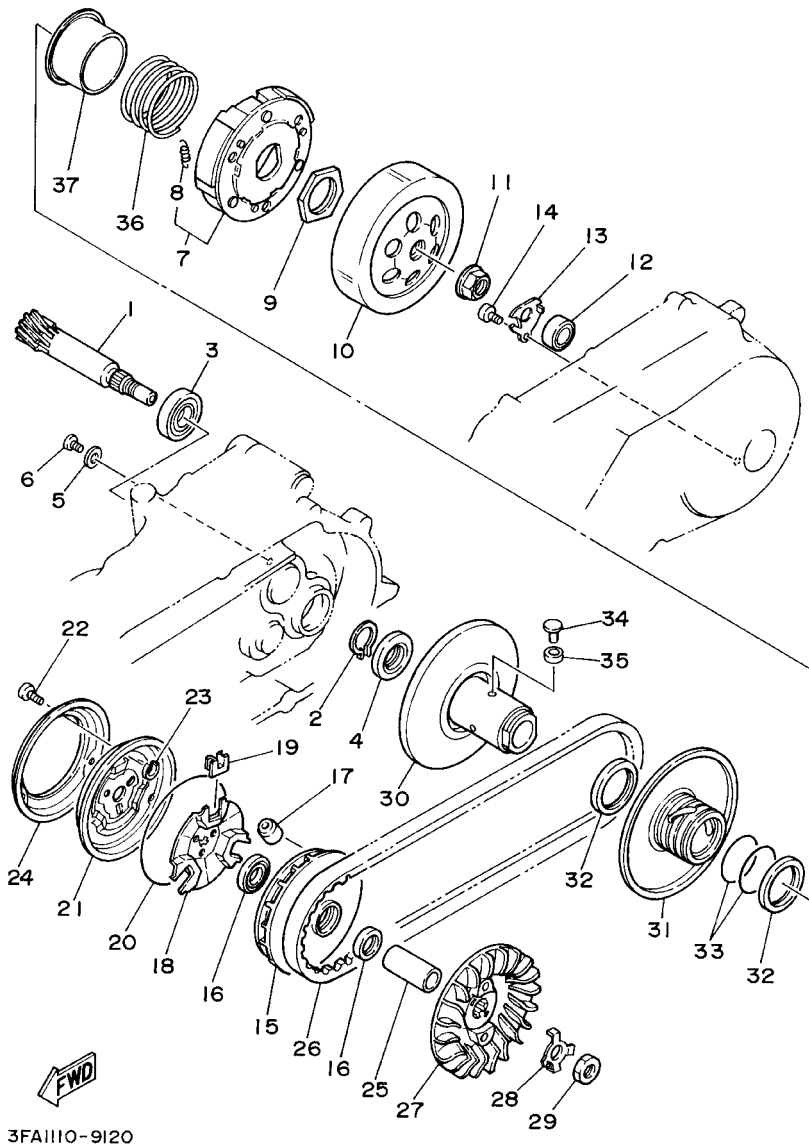


FIG. 12 CLUTCH

REF. NO.	PART NO.	DESCRIPTION	U49	CAL	CAN	EUR	JPN	REMARKS
1	3FA-16111-00	GEAR, PRIMARY DRIVE (14T)	1	1	1	1	1	
2	99009-22400	CIRCLIP	1	1	1	1	1	
3	93306-00433	BEARING	1	1	1	1	1	
4	93102-22335	OIL SEAL	1	1	1	1	1	
5	90201-06412	WASHER, PLATE	1	1	1	1	1	
6	98507-06010	SCREW	1	1	1	1	1	
7	3FA-16620-00	CLUTCH CARRIER ASSY	1	1	1	1	1	
8	14T-16626-00	.SPRING, CLUTCH WEIGHT 1	3	3	3	3	3	
9	90170-36279	NUT	1	1	1	1	1	
10	4DH-16611-00	CLUTCH HOUSING COMP.	1	1	1	1	1	
11	90179-14469	NUT	1	1	1	1	1	
12	93399-99918	BEARING	1	1	1	1	1	
13	50M-15381-00	PLATE, BEARING COVER	1	1	1	1	1	
14	98507-06010	SCREW	1	1	1	1	1	
15	3FA-17620-01	PRIMARY SLIDING SHEAVE COMP.	1	1	1	1	1	
16	93101-21170	OIL SEAL	2	2	2	2	2	
17	50M-17632-00	WEIGHT	6	6	6	6	6	
18	50W-17623-00	CAM	1	1	1	1	1	
19	4CW-17653-00	SLIDER	3	3	3	3	3	
20	93210-97690	O-RING	1	1	1	1	1	
21	50M-17630-00	PRIMARY SHEAVE CAP COMP.	1	1	1	1	1	
22	98980-04012	SCREW, BIND	3	3	3	3	3	
23	90214-04038	WASHER, CLAW	3	3	3	3	3	
24	50M-1763E-01	PLATE	1	1	1	1	1	
25	90387-161V0	COLLAR	1	1	1	1	1	
26	3FA-17641-00	V-BELT	1	1	1	1	1	
27	3FA-17611-00	SHEAVE, PRIMARY FIXED	1	1	1	1	1	

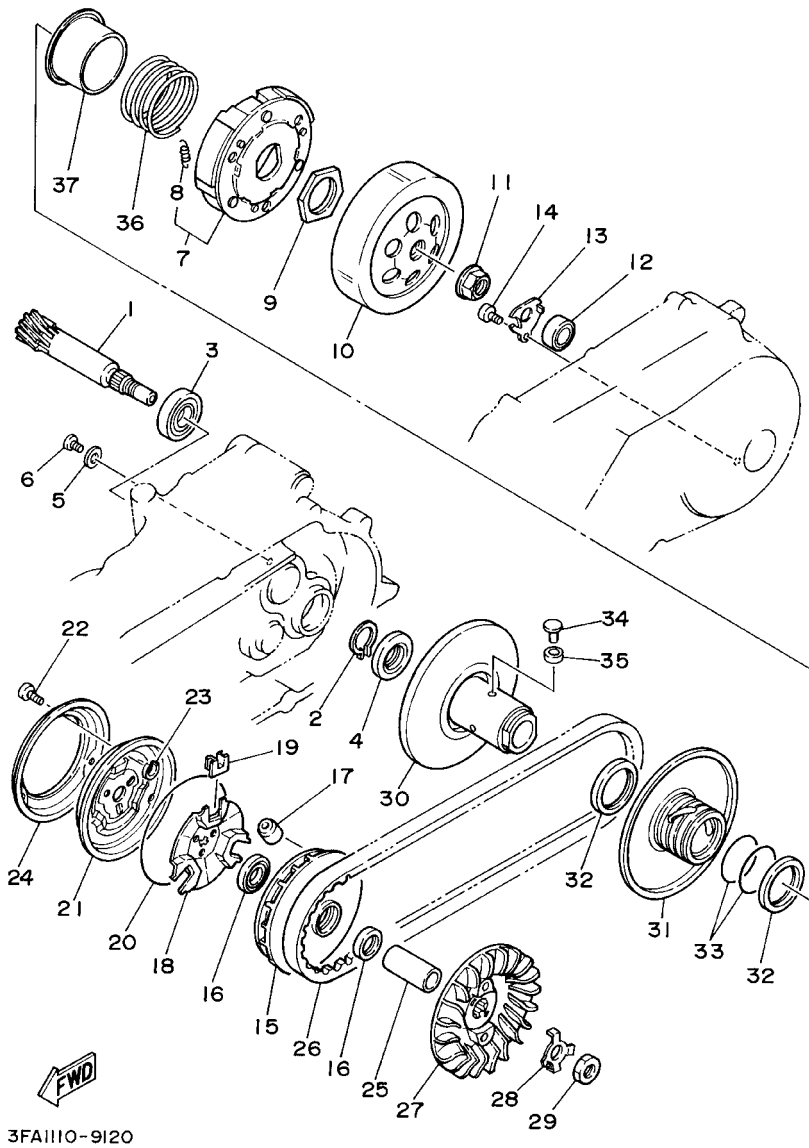
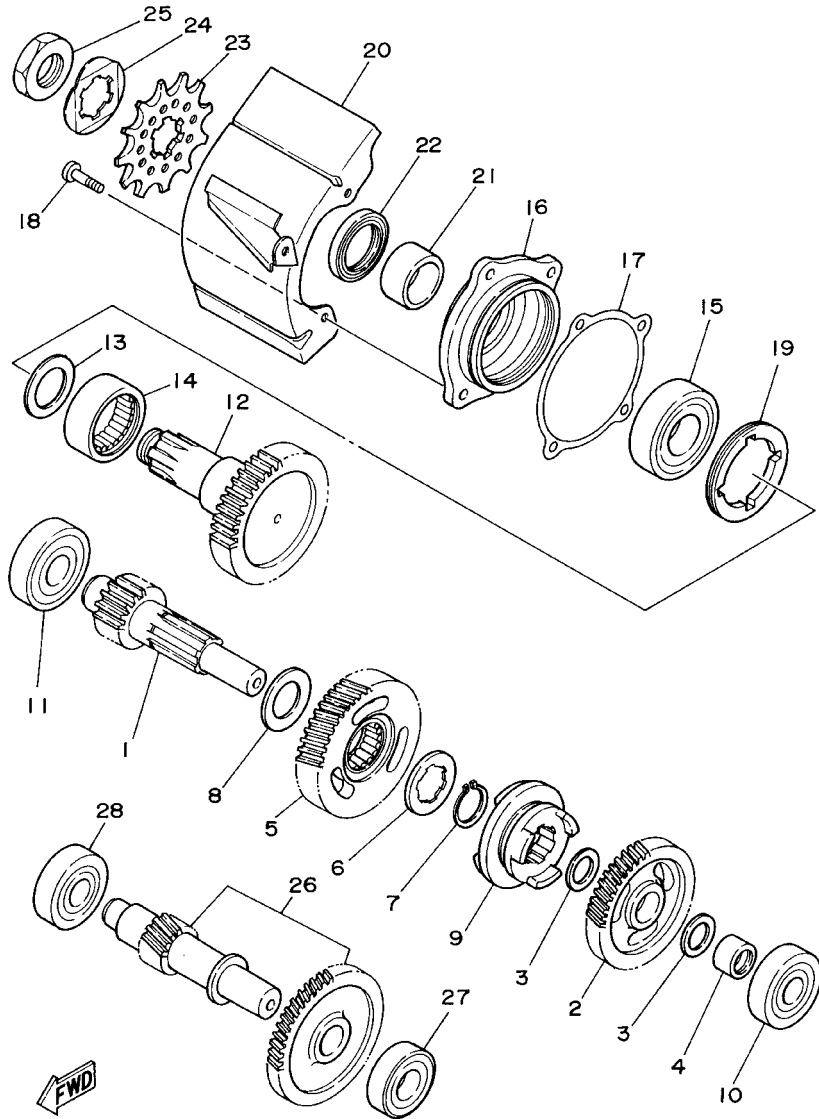


FIG. 12 CLUTCH

REF. NO.	PART NO.	DESCRIPTION	U49	CAL	CAN	EUR	JPN	REMARKS
28	90215-14236	WASHER, LOCK	1	1	1	1	1	
29	90170-12338	NUT	1	1	1	1	1	
30	3FA-17660-02	SECONDARY FIXED SHEAVE COMP.	1	1	1	1	1	
31	3FA-17670-00	SECONDARY SLIDING SHEAVE	1	1	1	1	1	
32	93104-41119	OIL SEAL	2	2	2	2	2	
33	93210-43713	O-RING	2	2	2	2	2	
34	50W-17664-00	PIN, GUIDE	3	3	3	3	3	
35	50W-17674-00	COLLAR, GUIDE	3	3	3	3	3	
36	90501-505F1	SPRING, COMPRESSION	1	1	1	1	1	
37	3FA-17684-00	SEAT, SECONDARY SPRING	1	1	1	1	1	

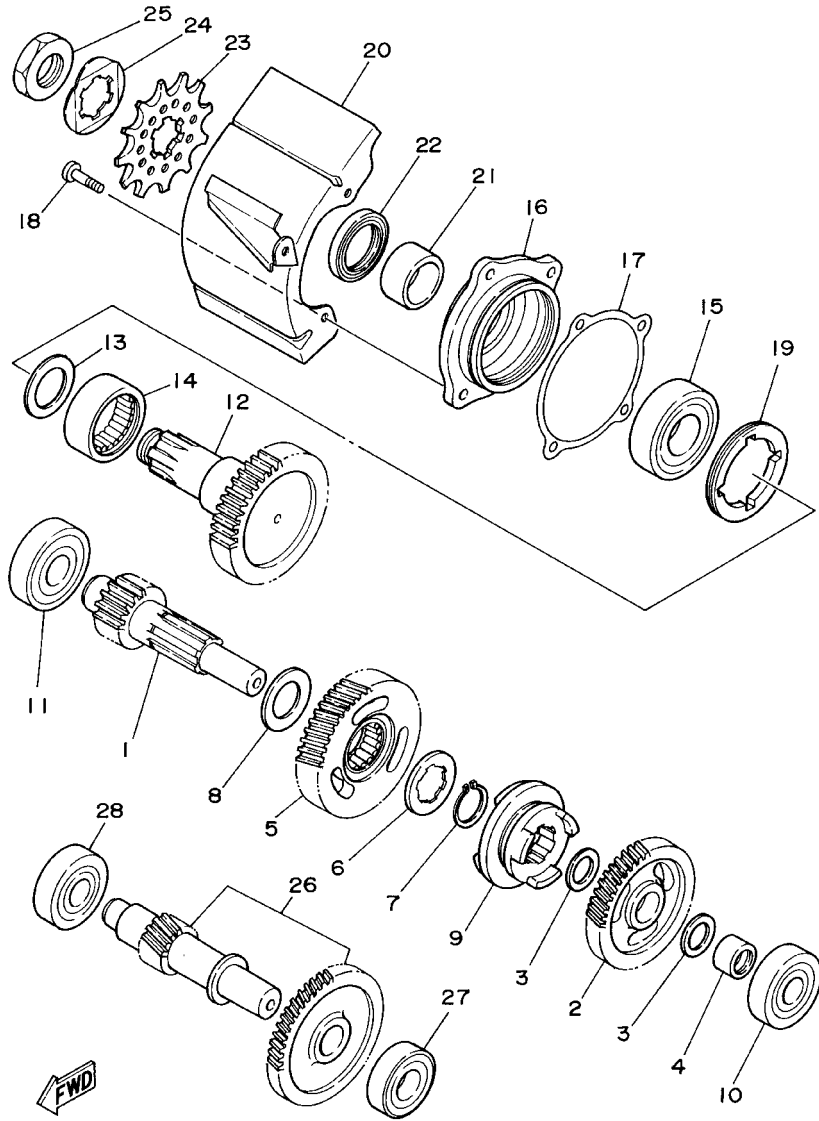
FIG. 13 TRANSMISSION



3FA1110-9130

REF. NO.	PART NO.	DESCRIPTION	U49	CAL	CAN	EUR	JPN	REMARKS
1	3FA-17411-00	AXLE, MAIN (17T)	1	1	1	1	1	
2	3FA-16151-00	GEAR, PRIMARY DRIVEN (43T)	1	1	1	1	1	
3	90201-15700	WASHER, PLATE	2	2	2	2	2	
4	90560-15348	SPACER	1	1	1	1	1	
5	3FA-17270-00	REDUCTION GEAR ASSY (49T)	1	1	1	1	1	
6	90215-22276	WASHER, LOCK	1	1	1	1	1	
7	93410-22039	CIRCLIP	1	1	1	1	1	
8	90201-221M8	WASHER, PLATE	1	1	1	1	1	
9	3FA-17285-00	CLUTCH, DOG	1	1	1	1	1	
10	93306-20201	BEARING (B6202)	1	1	1	1	1	
11	93306-20401	BEARING (B6204)	1	1	1	1	1	
12	3FA-17421-00	AXLE, DRIVE (40T)	1	1	1	1	1	
13	90201-252A4	WASHER, PLATE	1	1	1	1	1	
14	93311-43048	BALL BEARING	1	1	1	1	1	
15	93306-20532	BEARING	1	1	1	1	1	
16	3FA-17551-00	HOUSING, BEARING	1	1	1	1	1	
17	3FA-17519-10	GASKET, HOUSING CAP	1	1	1	1	1	
18	91317-06020	BOLT	4	4	4	4	4	
19	90179-55464	NUT	1	1	1	1	1	
20	3FA-17471-01	PLATE, COVER	1	1	1	1	1	
21	90387-251W4	COLLAR	1	1	1	1	1	
22	93102-30243	OIL SEAL	1	1	1	1	1	
23	93834-12016	SPROCKET,DRIVE 12T(38V1746120)	1	1	1	1	1	
24	90215-21239	WASHER, LOCK	1	1	1	1	1	
25	90179-20255	NUT	1	1	1	1	1	
26	3FA-17430-00	COUNTER AXLE ASSY (15T)	1	1	1	1	1	
27	93306-20301	BEARING	1	1	1	1	1	
28								

FIG. 13 TRANSMISSION

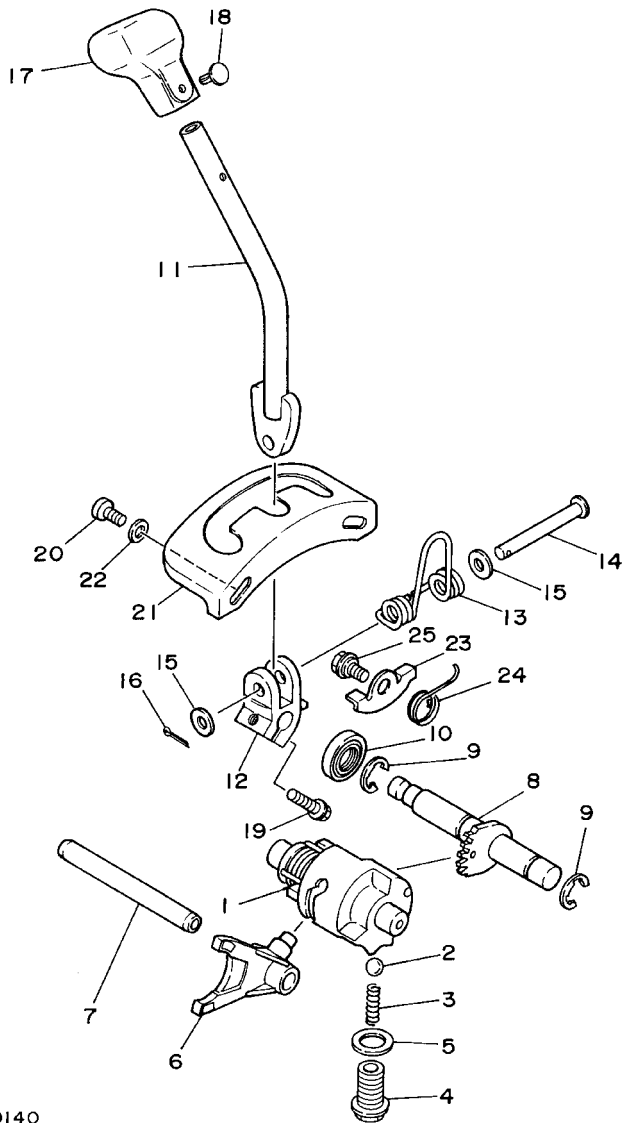


3FA1110-9130

REF. NO.	PART NO.	DESCRIPTION	U49	CAL	CAN	EUR	JPN	REMARKS
28	93306-30201	BEARING (B6302)	1	1	1	1	1	

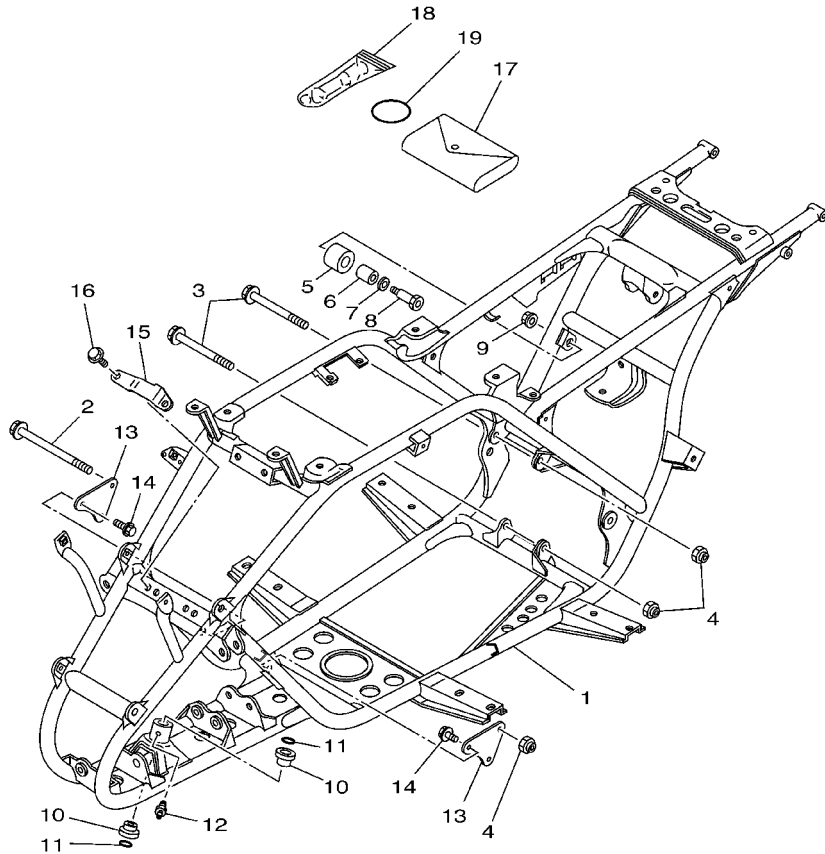
FIG. 14 SHIFT CAM. FORK

REF. NO.	PART NO.	DESCRIPTION	U49	CAL	CAN	EUR	JPN	REMARKS
1	3FA-18540-00	SHIFT CAM ASSY	1	1	1	1	1	
2	93503-08007	BALL	1	1	1	1	1	
3	90501-10353	SPRING, COMPRESSION	1	1	1	1	1	
4	90105-14367	BOLT, FLANGE	1	1	1	1	1	
5	90430-14194	GASKET	1	1	1	1	1	
6	4GB-18512-00	FORK, SHIFT 2	1	1	1	1	1	
7	1HX-18535-00	BAR, SHIFT FORK GUIDE 2	1	1	1	1	1	
8	3FA-18101-01	SHIFT SHAFT ASSY	1	1	1	1	1	
9	99001-12600	CIRCLIP	2	2	2	2	2	
10	93102-14209	OIL SEAL	1	1	1	1	1	
11	3FA-18152-00	LEVER, SHIFT 4	1	1	1	1	1	
12	3FA-18164-00	BOSS, SHIFT	1	1	1	1	1	
13	90508-29760	SPRING, TORSION	1	1	1	1	1	
14	91701-08058	PIN, CLEVIS	1	1	1	1	1	
15	92907-08600	WASHER, PLATE	2	2	2	2	2	
16	91401-25015	PIN, COTTER	1	1	1	1	1	
17	3FA-18174-00	KNOB, SHIFT LEVER	1	1	1	1	1	
18	90269-05055	RIVET	1	1	1	1	1	
19	95827-06025	BOLT, FLANGE	1	1	1	1	1	
20	90110-06142	BOLT, HEXAGON SOCKET HEAD	2	2	2	2	2	
21	3FA-18128-00	BRACKET	1	1	1	1	1	
22	92907-06600	WASHER, PLATE	2	2	2	2	2	
23	3FA-18191-00	LEVER	1	1	1	1	1	
24	90508-12761	SPRING, TORSION	1	1	1	1	1	
25	90109-063F7	BOLT	1	1	1	1	1	



3FA1110-9140

FIG. 15 FRAME

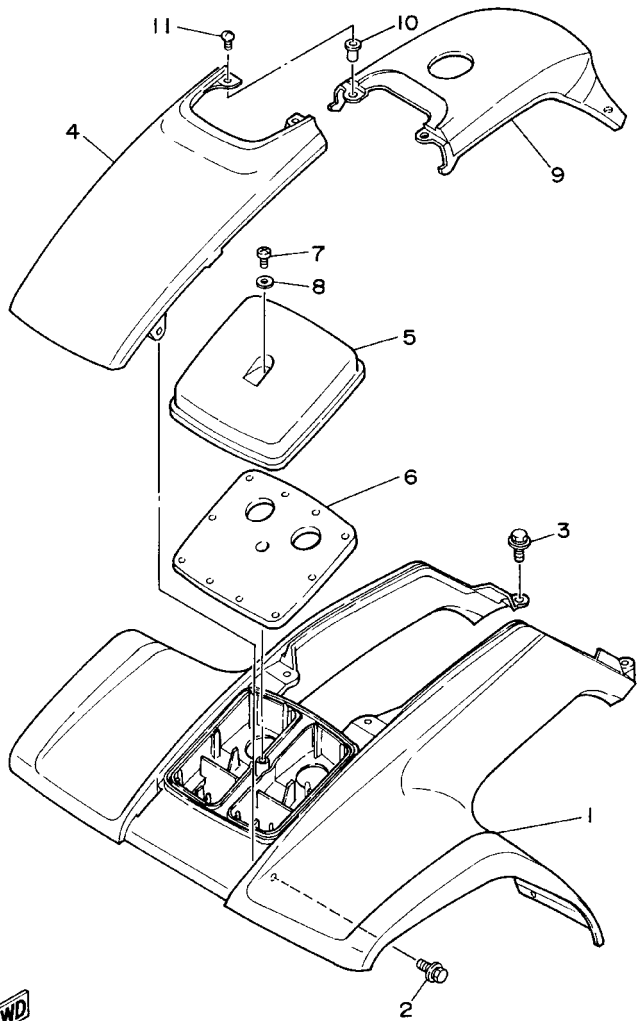


REF. NO.	PART NO.	DESCRIPTION	U49	CAL	CAN	EUR	JPN	REMARKS
1	5VJ-21110-00	FRAME COMP.	1	1	1	1	1	
2	90105-10183	BOLT, FLANGE	1	1	1	1	1	
3	90105-10409	BOLT, FLANGE	2	2	2	2	2	
4	90185-10091	NUT, SELF-LOCKING	3	3	3	3	3	
5	10V-22178-00	TENSIONER	1	1	1	1	1	
6	4V4-22184-00	BUSH	1	1	1	1	1	
7	90201-13409	WASHER, PLATE	1	1	1	1	1	
8	90109-08705	BOLT	1	1	1	1	1	
9	90185-08097	NUT, SELF-LOCKING	1	1	1	1	1	
10	90381-15040	BUSH, SOLID	2	2	2	2	2	
11	93210-15414	O-RING	2	2	2	2	2	
12	93700-06004	NIPPLE, GREASE	1	1	1	1	1	
13	3FA-21315-00	STAY, ENGINE 2	2	2	2	2	2	
14	95817-08016	BOLT, FLANGE	4	4	4	4	4	
15	3FA-2115K-00	BRACKET 1	1	1	1	1	1	
16	95807-06012	BOLT, FLANGE	2	2	2	2	2	
17	3GB-28100-00	TOOL KIT	1	1	1	1	1	
18	1NV-2811A-01	GAUGE, AIR	1	1	1	1	1	
19	93210-41041	O-RING	1	1	1	1	1	



5VJ1100-3150

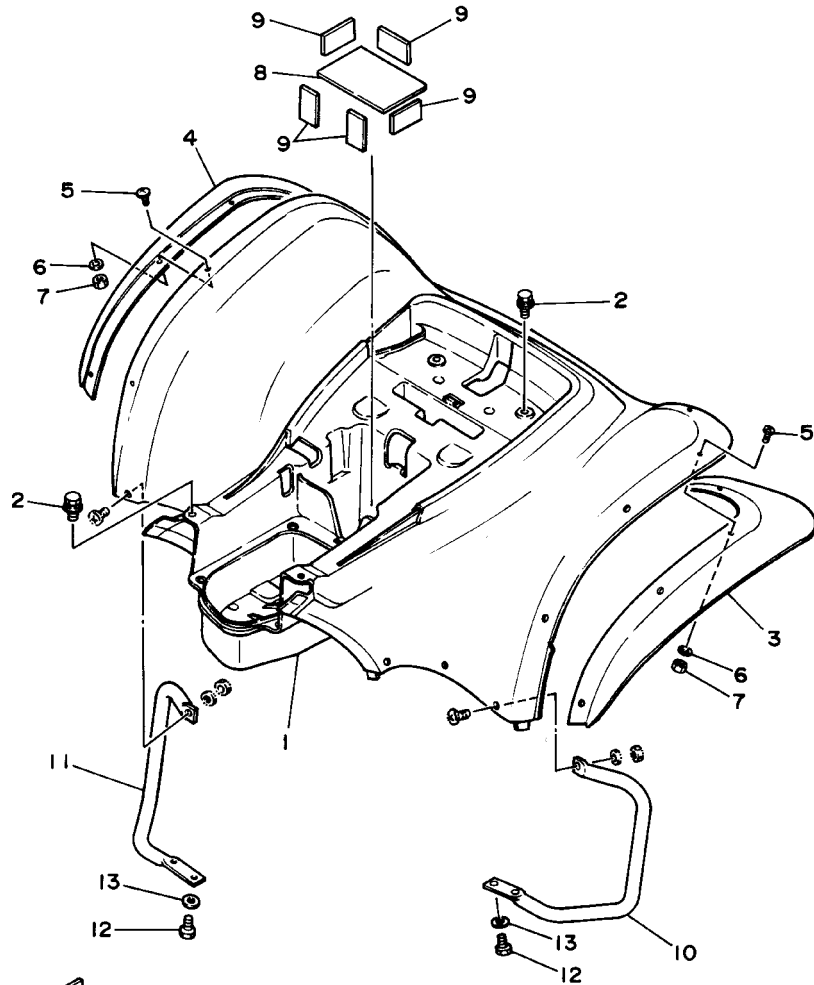
FIG. 16 FRONT FENDER



REF. NO.	PART NO.	DESCRIPTION	U49	CAL	CAN	EUR	JPN	REMARKS
1	3FA-W2151-60	FRONT FENDER COMP.	1	1				UR FOR DPBSE
	3FA-W2151-70	FRONT FENDER COMP.	1	1				UR FOR PDG
	3FA-W215C-60	FRONT FENDER COMP.2			1			UR FOR DPBSE
	3FA-W215B-60	FRONT FENDER COMP. 2				1		UR FOR DPBSE
	3FA-W215D-60	FRONT FENDER COMP.					1	UR FOR DPBSE
	3FA-W215D-70	FRONT FENDER COMP.					1	UR FOR PDG
2	90119-06056	BOLT, WITH WASHER	2	2	2	2	2	
3	90119-06063	BOLT, WITH WASHER	2	2	2	2	2	
4	3FA-23391-80	PANEL, FRONT	1	1	1	1	1	
5	3FA-14422-00	CAP, CLEANER CASE 2	1	1	1	1	1	
6	3FA-14461-00	ELEMENT, AIR CLEANER 2	1	1	1	1	1	
7	98507-05020	SCREW	1	1	1	1	1	
8	92907-05600	WASHER, PLATE	1	1	1	1	1	
9	3FA-2171A-80	COVER, TOP	1	1		1	1	
	3FA-W217C-80	TOP COVER ASSY 2			1			
10	90179-05525	NUT	2	2	2	2	2	
11	90154-05052	SCREW, BINDING	2	2	2	2	2	


3FA1110-9160

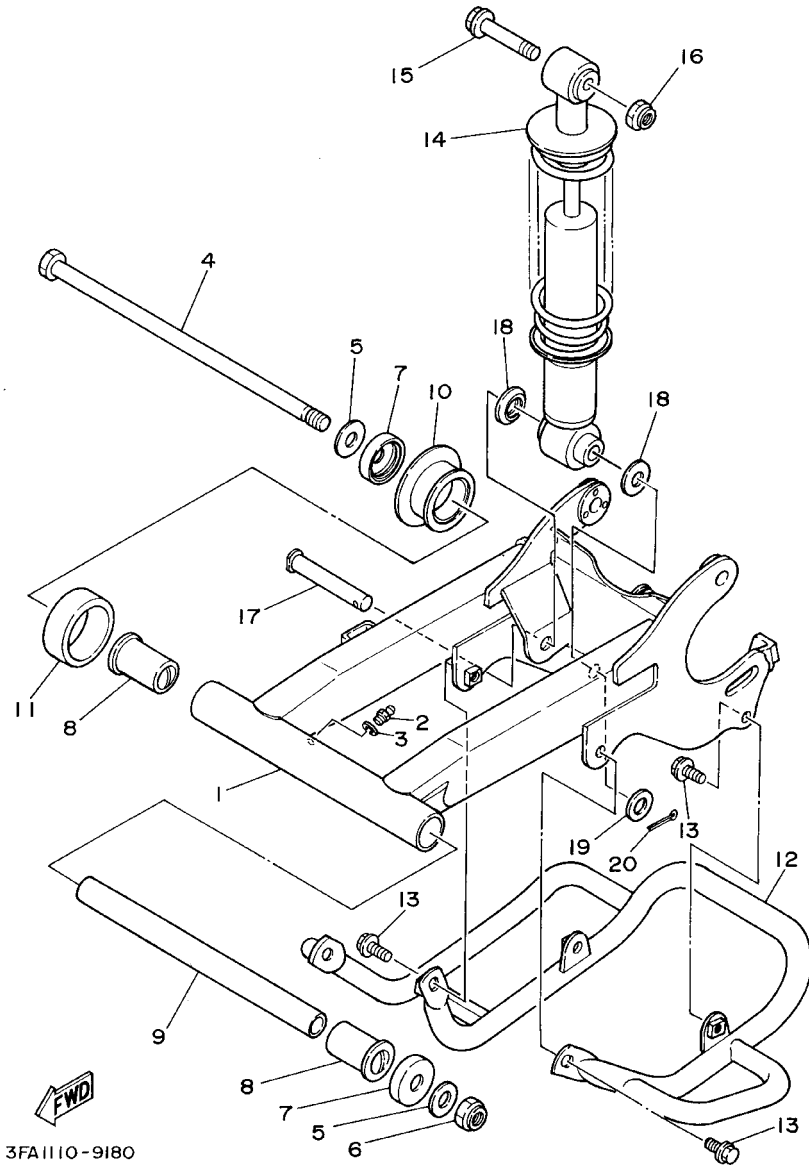
FIG. 17 REAR FENDER



3FA4100-0171

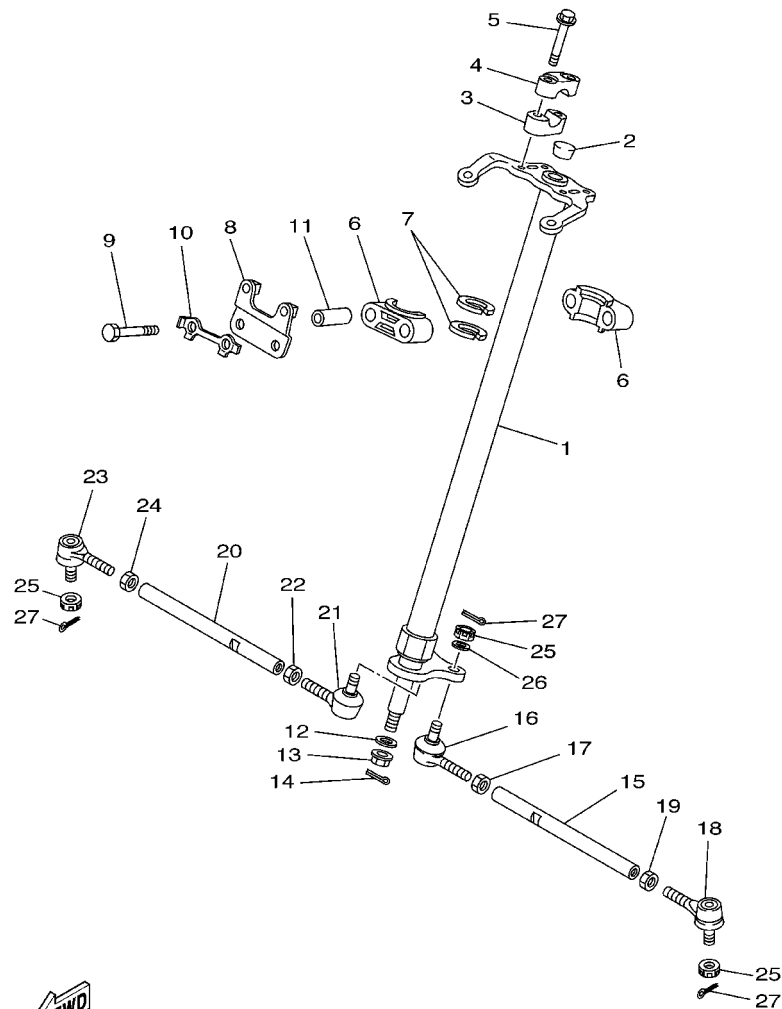
REF. NO.	PART NO.	DESCRIPTION	U49	CAL	CAN	EUR	JPN	REMARKS
1	3FA-W2161-60	REAR FENDER COMP.	1	1			1	UR FOR DPBSE
	3FA-W2161-70	REAR FENDER COMP.	1	1				UR FOR PDG
	3FA-W216C-60	REAR FENDER COMP.2			1			UR FOR DPBSE
	3FA-W216B-60	REAR FENDER COMP.2				1		UR FOR DPBSE
2	90119-06056	BOLT, WITH WASHER	5	5	5	5	5	
3	3FA-21621-10	FLAP	1	1	1	1	1	
4	3FA-21691-10	FLAP	1	1	1	1	1	
5	90154-05005	SCREW, BINDING	10	10	10	10	10	
6	90201-05029	WASHER, PLATE	10	10	10	10	10	
7	95707-05300	NUT, FLANGE	10	10	10	10	10	
8	1UY-21639-00	DAMPER 2	1	1	1	1	1	
9	29W-82123-00	SEAT, BATTERY	5	5	5	5	5	
10	3FA-21613-01	STAY, FENDER 1	1	1	1	1	1	
11	3FA-21614-01	STAY, FENDER 2	1	1	1	1	1	
12	91317-06012	BOLT	4	4	4	4	4	
13	92907-06200	WASHER	4	4	4	4	4	

FIG. 18 REAR ARM. SUSPENSION



REF. NO.	PART NO.	DESCRIPTION	U49	CAL	CAN	EUR	JPN	REMARKS
1	3FA-22110-00-33	REAR ARM COMP.	1	1	1	1	1	YB
2	93700-06004	NIPPLE, GREASE	1	1	1	1	1	
3	92907-06200	WASHER	1	1	1	1	1	
4	2JX-22141-00	SHAFT, PIVOT	1	1	1	1	1	
5	90201-126A7	WASHER, PLATE	2	2	2	2	2	
6	90185-12134	NUT, SELF-LOCKING	1	1	1	1	1	
7	401-22128-01	SEAL, GUARD	2	2	2	2	2	
8	90386-18028	BUSH	2	2	2	2	2	
9	3FA-22126-00	COLLAR, DISTANCE	1	1	1	1	1	
10	2A6-22151-00	SEAL, GUARD	1	1	1	1	1	
11	2A6-22152-00	SEAL, GUARD	1	1	1	1	1	
12	3FA-2219X-00	COVER	1	1	1	1	1	
13	95827-08016	BOLT, FLANGE	5	5	5	5	5	
14	3FA-22210-00-33	SHOCK ABSORBER ASSY, REAR	1	1	1	1	1	YB
15	90105-10388	BOLT, FLANGE	1	1	1	1	1	
16	90185-10091	NUT, SELF-LOCKING	1	1	1	1	1	
17	90240-12092	PIN, CLEVIS	1	1	1	1	1	
18	1W1-22128-00	COVER, THRUST 1	2	2	2	2	2	
19	90201-12749	WASHER, PLATE	1	1	1	1	1	
20	91401-30025	PIN, COTTER	1	1	1	1	1	

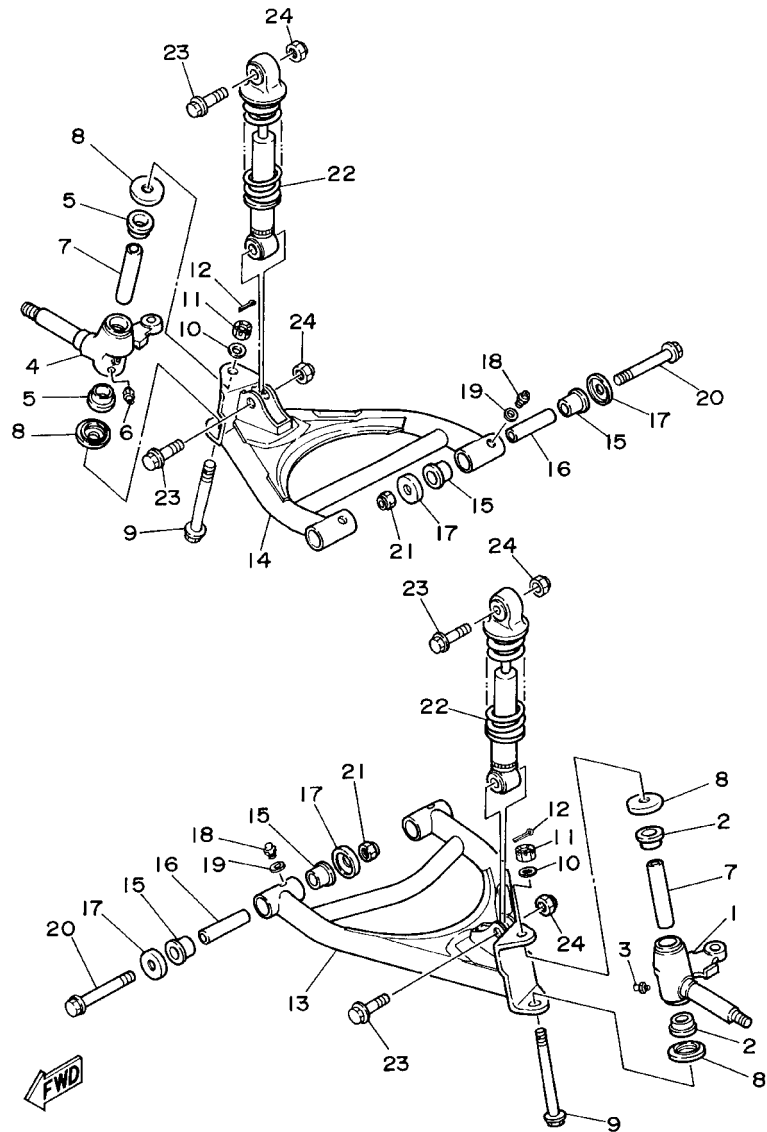
FIG. 19 STEERING



3FAW100-2190

REF. NO.	PART NO.	DESCRIPTION	U49	CAL	CAN	EUR	JPN	REMARKS
1	3FA-23813-01	COLUMN, STEERING 2	1	1	1	1	1	
2	90336-22056	PLUG, TAPER	1	1	1	1	1	
3	2HR-23442-00	HOLDER, HANDLE LOWER	2	2	2	2	2	
4	8K1-23814-00	HOLDER, HANDLE	2	2	2	2	2	
5	95827-08050	BOLT, FLANGE	4	4	4	4	4	
6	1UY-23812-00	PLANE BEARING, STEERING	2	2	2	2	2	
7	93112-31011	OIL SEAL	2	2	2	2	2	
8	3FA-23868-20	BRACKET, STEERING LOWER	1	1	1	1	1	
9	97027-08060	BOLT	2	2	2	2	2	
10	1UY-23894-01	WASHER, LOCK 1	1	1	1	1	1	
11	90387-090R0	COLLAR	2	2	2	2	2	
12	90201-10774	WASHER, PLATE	1	1	1	1	1	
13	90185-10115	NUT, SELF-LOCKING	1	1	1	1	1	
14	91401-20020	PIN, COTTER	1	1	1	1	1	
15	3FA-23831-10	ROD, TIE	1	1	1	1	1	
16	1UY-23841-01	JOINT, UNIVERSAL 1	1	1	1	1	1	
17	95307-10700	NUT	1	1	1	1	1	
18	1UY-23845-01	JOINT, UNIVERSAL 2	1	1	1	1	1	
19	90170-10186	NUT	1	1	1	1	1	(L.H. THREAD)
20	3FA-23831-10	ROD, TIE	1	1	1	1	1	
21	1UY-23841-01	JOINT, UNIVERSAL 1	1	1	1	1	1	
22	95307-10700	NUT	1	1	1	1	1	
23	1UY-23845-01	JOINT, UNIVERSAL 2	1	1	1	1	1	
24	90170-10186	NUT	1	1	1	1	1	(L.H. THREAD)
25	90171-10046	NUT, CASTLE	4	4	4	4	4	
26	92990-10600	WASHER, PLATE	2	2	2	2	2	
27	91401-20020	PIN, COTTER	4	4	4	4	4	

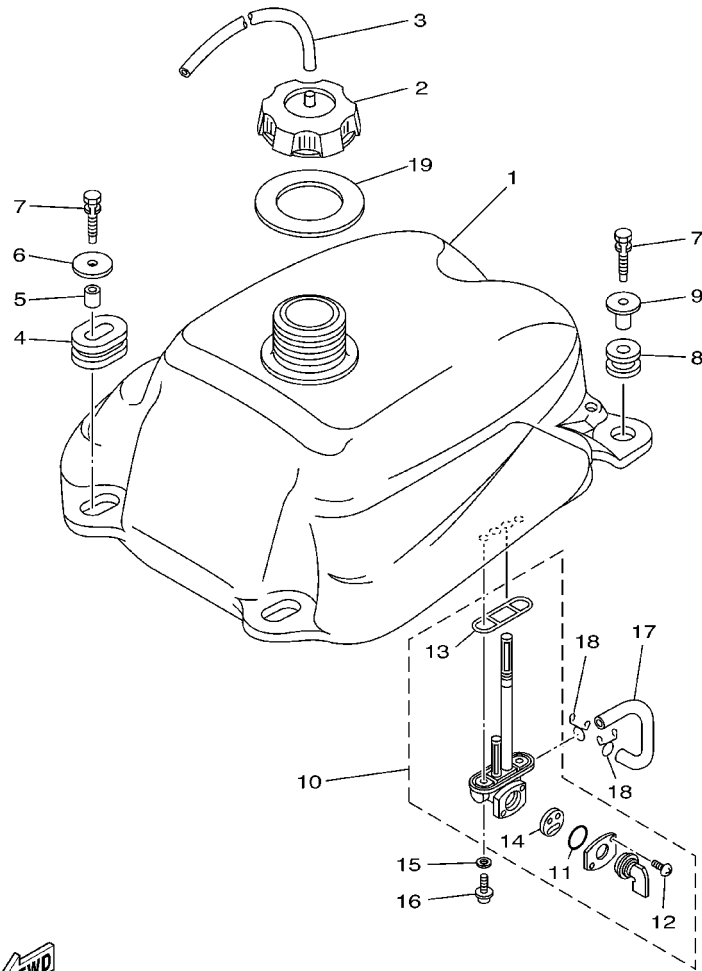
FIG. 20 FRONT SUSPENSION. WHEEL



3FA1110-9190

REF. NO.	PART NO.	DESCRIPTION	U49	CAL	CAN	EUR	JPN	REMARKS
1	3FA-23511-01	KNUCKLE, STEERING 1	1	1	1	1	1	
2	90381-17067	BUSH, SOLID	2	2	2	2	2	
3	93700-06004	NIPPLE, GREASE	1	1	1	1	1	
4	3FA-23521-01	KNUCKLE, STEERING 2	1	1	1	1	1	
5	90381-17067	BUSH, SOLID	2	2	2	2	2	
6	93700-06004	NIPPLE, GREASE	1	1	1	1	1	
7	3GB-23448-00	SPACER	2	2	2	2	2	
8	2NL-23517-00	COVER, THRUST 1	4	4	4	4	4	
9	90109-104A8	BOLT	2	2	2	2	2	
10	90201-08759	WASHER, PLATE	2	2	2	2	2	
11	90171-10004	NUT, CASTLE	2	2	2	2	2	
12	91401-20020	PIN, COTTER	2	2	2	2	2	
13	3FA-23570-00-33	FRONT LOWER ARM COMP. (LEFT)	1	1	1	1	1	YB
14	3FA-23580-00-33	FRONT LOWER ARM COMP. (RIGHT)	1	1	1	1	1	YB
15	90381-15088	BUSH, SOLID	8	8	8	8	8	
16	90387-101R3	COLLAR	4	4	4	4	4	
17	1UY-23517-00	COVER, THRUST 1	8	8	8	8	8	
18	93700-06004	NIPPLE, GREASE	4	4	4	4	4	
19	92907-06200	WASHER	4	4	4	4	4	
20	90105-10727	BOLT, FLANGE	4	4	4	4	4	
21	90185-10091	NUT, SELF-LOCKING	4	4	4	4	4	
22	3FA-23350-00-33	SHOCK ABSORBER ASSY	2	2	2	2	2	YB
23	90105-10561	BOLT, FLANGE	4	4	4	4	4	
24	90185-10091	NUT, SELF-LOCKING	4	4	4	4	4	

FIG. 21 FUEL TANK

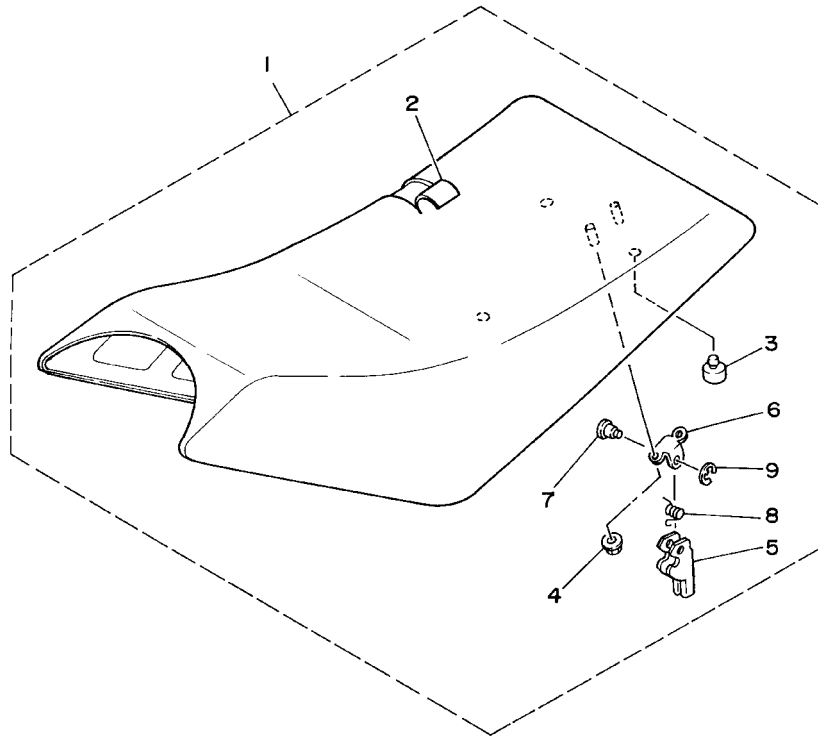


REF. NO.	PART NO.	DESCRIPTION	U49	CAL	CAN	EUR	JPN	REMARKS
1	3FA-24110-00	FUEL TANK COMP.	1	1	1	1	1	
2	2FJ-24610-00	CAP ASSY	1	1	1	1	1	
3	90445-09304	HOSE (L310)	1	1	1	1	1	
4	90480-01400	GROMMET	2	2	2	2	2	
5	90387-07598	COLLAR	2	2	2	2	2	
6	90201-060L5	WASHER, PLATE	2	2	2	2	2	
7	90119-06073	BOLT, WITH WASHER	4	4	4	4	4	
8	90480-18290	GROMMET	2	2	2	2	2	
9	90387-066H4	COLLAR	2	2	2	2	2	
10	55W-24500-01	FUEL COCK ASSY 1	1	1	1	1	1	
11	3AJ-24534-00	.SEAL, COCK	1	1	1	1	1	
12	97801-03008	.SCREW, PAN HEAD	2	2	2	2	2	
13	4X8-24512-00	.O-RING	1	1	1	1	1	
14	3AJ-24523-00	.VALVE PACKING	1	1	1	1	1	
15	90202-05193	WASHER, PLATE	2	2	2	2	2	
16	90149-06011	SCREW	2	2	2	2	2	
17	90445-10456	HOSE (L95)	1	1	1	1	1	
18	90467-09006	CLIP	2	2	2	2	2	
19	3FA-2414A-00	COVER, FILLER	1	1	1	1	1	



3FAP100-0210

FIG. 22 SEAT

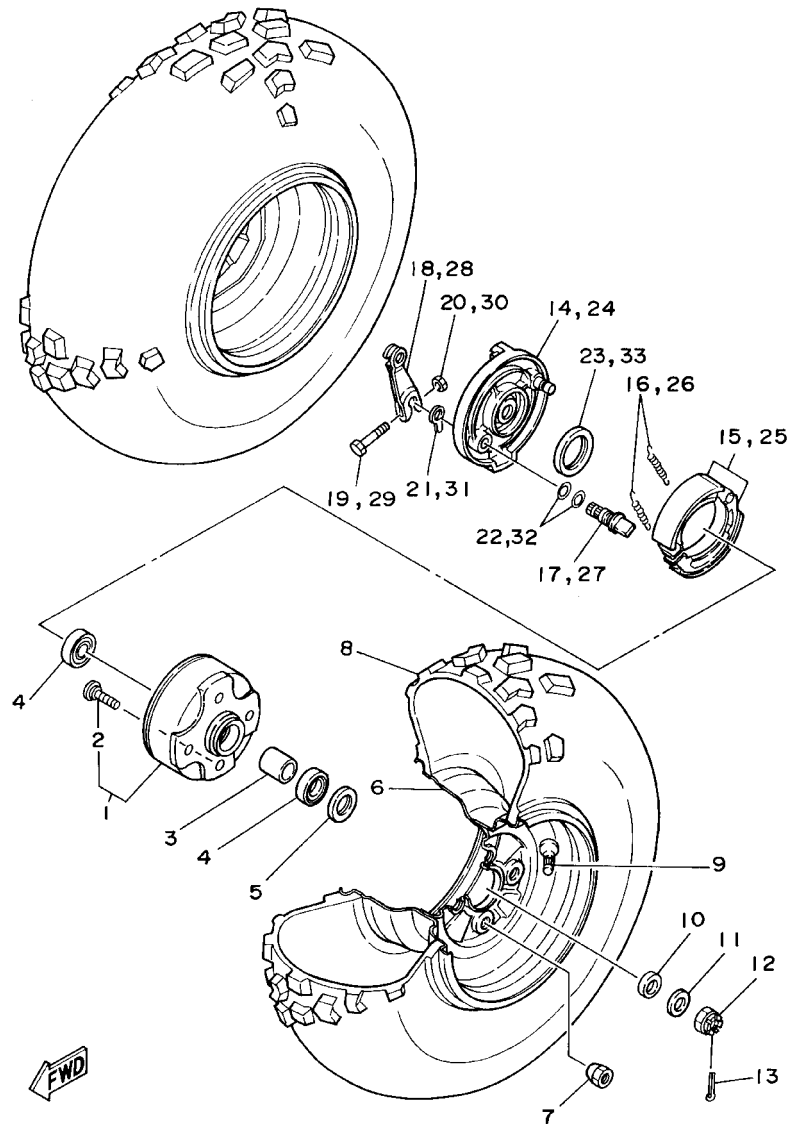


REF. NO.	PART NO.	DESCRIPTION	U49	CAL	CAN	EUR	JPN	REMARKS
1	3FA-24710-80	SINGLE SEAT ASSY	1	1	1	1	1	
2	3FA-24731-80	.COVER, SEAT	1	1	1	1	1	
3	371-27114-00	.STOPPER, MAIN STAND	3	3	3	3	3	
4	95707-06500	.NUT, FLANGE	2	2	2	2	2	
5	29U-24776-00	.LEVER, SEAT	1	1	1	1	1	
6	4K0-24775-00	.BRACKET, SEAT LEVER	1	1	1	1	1	
7	4K0-24774-01	.PIN	1	1	1	1	1	
8	90508-20779	.SPRING, TORSION	1	1	1	1	1	
9	99001-04600	.CIRCLIP	1	1	1	1	1	



3FA110-9220

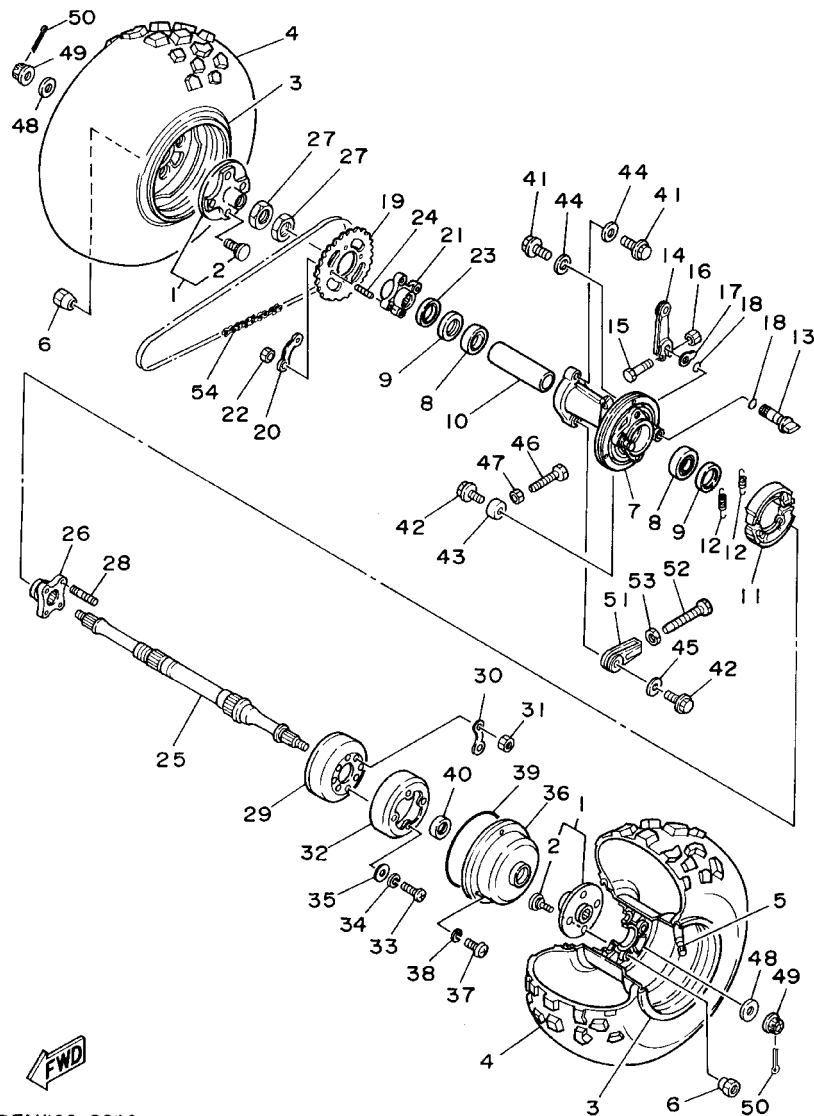
FIG. 23 FRONT WHEEL



3FAK100-8230

REF. NO.	PART NO.	DESCRIPTION	U49	CAL	CAN	EUR	JPN	REMARKS
1	3FA-25111-00	HUB, FRONT	2	2	2	2	2	
2	90114-10010	.BOLT, SERRATION	4	4	4	4	4	
3	3FA-25117-00	SPACER, BEARING	2	2	2	2	2	
4	93306-00308	BEARING (B6003)	4	4	4	4	4	
5	93102-23275	OIL SEAL	2	2	2	2	2	
6	3FA-25180-00-35	WHEEL COMP.	2	2	2	2	2	
7	90179-10540	NUT	8	8	8	8	8	
8	94107-086W7	TIRE (AT20X7-8*KT536A T/L N)	2	2	2	2	2	DUNLOP
9	93900-00022	VALVE, RIM	2	2	2	2	2	TAIHEIYO
10	90387-175R2	COLLAR	2	2	2	2	2	
11	90201-14586	WASHER, PLATE	2	2	2	2	2	
12	90171-14020	NUT, CASTLE	2	2	2	2	2	
13	91401-30025	PIN, COTTER	2	2	2	2	2	
14	3FA-25121-00	PLATE, BRAKE SHOE	1	1	1	1	1	FOR LEFT
15	4BE-W2536-00	BRAKE SHOE SET	1	1	1	1	1	
16	90506-15260	SPRING, TENSION	2	2	2	2	2	
17	5G3-25351-02	CAMSHAFT	1	1	1	1	1	
18	3FA-25155-00	LEVER, CAMSHAFT 1	1	1	1	1	1	FOR LEFT
19	90101-06278	BOLT	1	1	1	1	1	
20	95307-06600	NUT	1	1	1	1	1	
21	52H-2513A-00	PLATE, INDICATOR	1	1	1	1	1	
22	93210-12327	O-RING	2	2	2	2	2	
23	93102-40367	OIL SEAL	1	1	1	1	1	
24	3FA-25169-00	PLATE, BRAKE SHOE 2	1	1	1	1	1	FOR RIGHT
25	4BE-W2536-00	BRAKE SHOE SET	1	1	1	1	1	
26	90506-15260	SPRING, TENSION	2	2	2	2	2	
27	5G3-25351-02	CAMSHAFT	1	1	1	1	1	

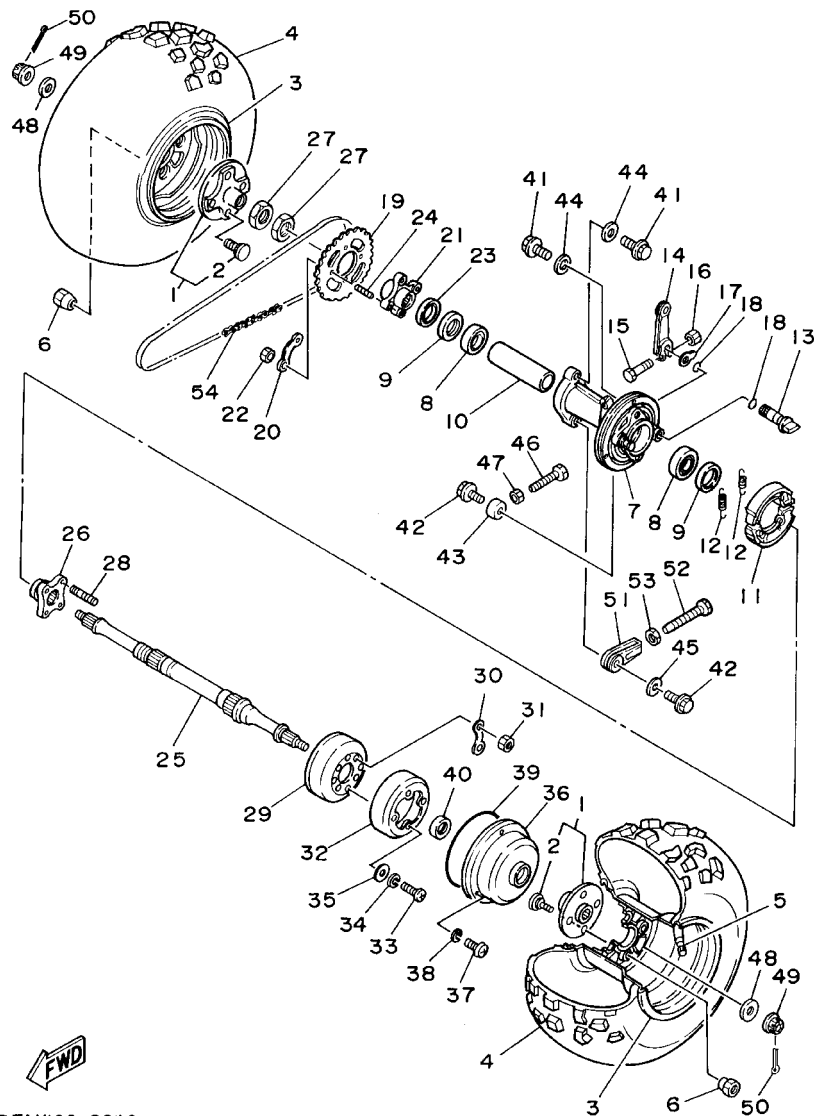
FIG. 24 REAR WHEEL



3FAK100-8240

REF. NO.	PART NO.	DESCRIPTION	U49	CAL	CAN	EUR	JPN	REMARKS
1	3FA-25383-00	COLLAR, WHEEL	2	2	2	2	2	
2	90114-10010	.BOLT, SERRATION	4	4	4	4	4	
3	3FA-25390-00-35	REAR WHEEL COMP.	2	2	2	2	2	
4	94110-086W8	TIRE (AT22X10-8*KT537A T/L N)	2	2	2	2	2	DUNLOP
5	93900-00022	VALVE, RIM	2	2	2	2	2	TAIHEIYO
6	90179-10540	NUT	8	8	8	8	8	
7	3FA-25311-00	HUB, REAR	1	1	1	1	1	
8	93306-00705	BEARING	2	2	2	2	2	
9	93102-42260	OIL SEAL	2	2	2	2	2	
10	3FA-25317-00	SPACER, BEARING	1	1	1	1	1	
11	3FA-W2536-00	BRAKE SHOE SET	1	1	1	1	1	
12	90506-15260	SPRING, TENSION	2	2	2	2	2	
13	55X-25351-00	CAMSHAFT	1	1	1	1	1	
14	2N3-25155-00	LEVER, CAMSHAFT 1	1	1	1	1	1	
15	90101-06278	BOLT	1	1	1	1	1	
16	95307-06600	NUT	1	1	1	1	1	
17	23F-2533A-00	PLATE, INDICATOR	1	1	1	1	1	
18	93210-14104	O-RING	2	2	2	2	2	
19	3FA-25432-20	SPROCKET, DRIVEN (32T)	1	1	1	1	1	
20	10V-25412-00	WASHER	2	2	2	2	2	
21	3FA-25386-00	COLLAR, SPROCKET AXLE	1	1	1	1	1	
22	90170-10219	NUT	4	4	4	4	4	
23	5V6-25367-00	COVER, HUB DUST	1	1	1	1	1	
24	90116-10483	BOLT, STUD	4	4	4	4	4	
25	3FA-25381-00	AXLE, WHEEL	1	1	1	1	1	
26	3FA-25343-00	BOSS	1	1	1	1	1	
27	90170-33376	NUT	2	2	2	2	2	

FIG. 24 REAR WHEEL



3FAK100-8240

REF. NO.	PART NO.	DESCRIPTION	U49	CAL	CAN	EUR	JPN	REMARKS
28	90116-08507	BOLT, STUD	4	4	4	4	4	
29	3FA-2531E-00	DRUM, BRAKE	1	1	1	1	1	
30	390-25412-01	WASHER	2	2	2	2	2	
31	95307-08600	NUT	4	4	4	4	4	
32	3FA-25336-00	RING 2	1	1	1	1	1	
33	98507-05010	SCREW	4	4	4	4	4	
34	92907-05100	WASHER, SPRING	4	4	4	4	4	
35	92907-05600	WASHER, PLATE	4	4	4	4	4	
36	55X-25715-00	COVER 1	1	1	1	1	1	
37	98507-06012	SCREW	3	3	3	3	3	
38	92907-06100	WASHER, SPRING	3	3	3	3	3	
39	93211-63688	O-RING	1	1	1	1	1	
40	93102-35349	OIL SEAL	1	1	1	1	1	
41	90105-12573	BOLT, FLANGE	2	2	2	2	2	
42	90105-10585	BOLT, FLANGE	2	2	2	2	2	
43	90387-113W0	COLLAR	1	1	1	1	1	
44	90201-120A5	WASHER, PLATE	2	2	2	2	2	
45	90201-106F2	WASHER, PLATE	1	1	1	1	1	
46	90101-08034	BOLT	1	1	1	1	1	
47	95307-08600	NUT	1	1	1	1	1	
48	90201-14226	WASHER, PLATE	2	2	2	2	2	
49	90171-14037	NUT, CASTLE	2	2	2	2	2	
50	91401-30030	PIN, COTTER	2	2	2	2	2	
51	1UY-25388-00	PULLER, CHAIN 1	1	1	1	1	1	
52	90101-08647	BOLT	1	1	1	1	1	
53	95307-08600	NUT	1	1	1	1	1	
54	94582-02074	CHAIN (DID520V 74L)	1	1	1	1	1	

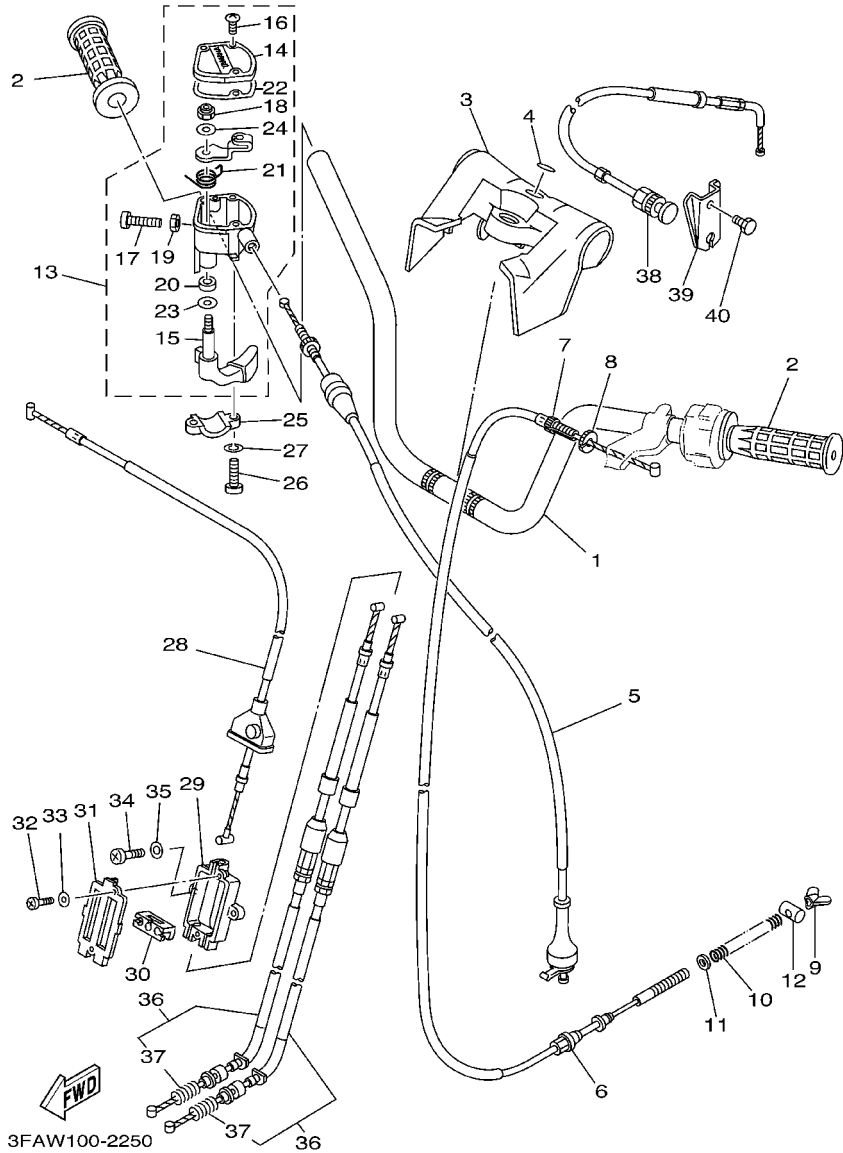
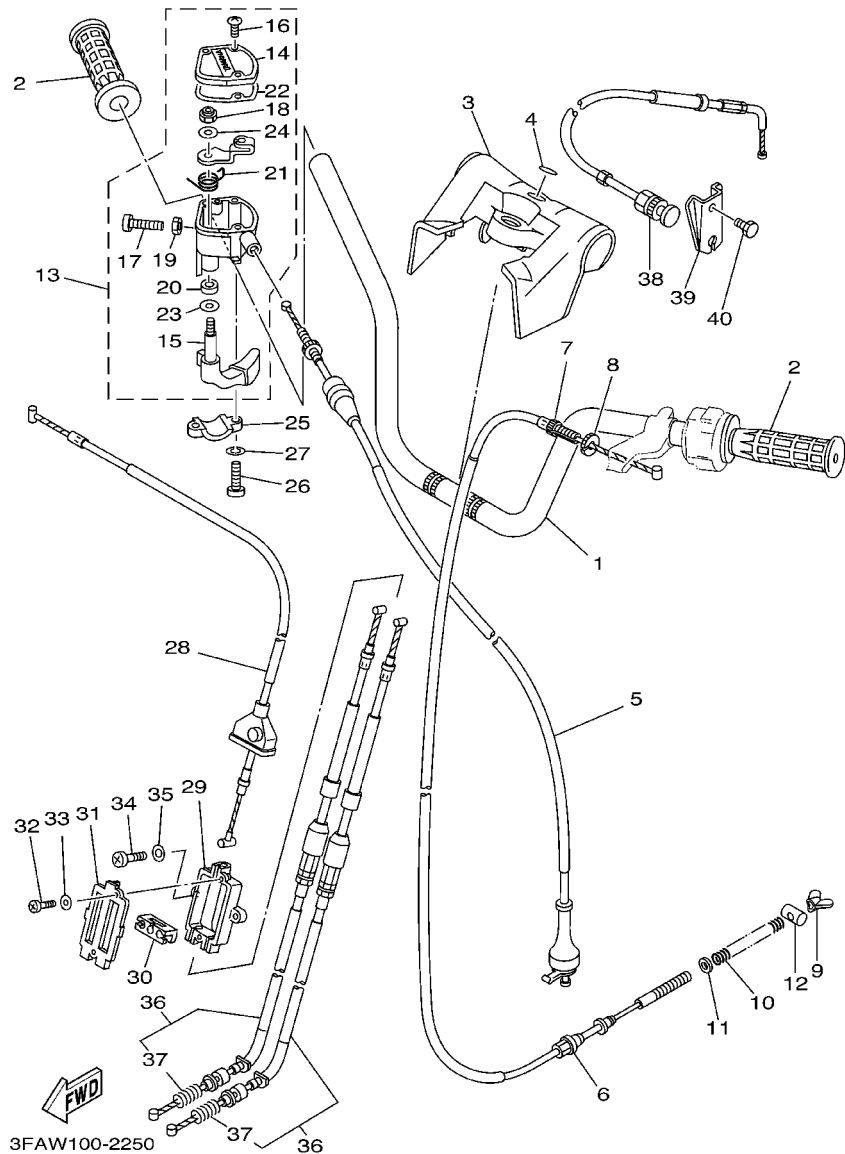


FIG. 25 STEERING HANDLE. CABLE

REF. NO.	PART NO.	DESCRIPTION	U49	CAL	CAN	EUR	JPN	REMARKS
1	3FA-26111-10	HANDLEBAR	1	1	1	1	1	
2	3GB-26241-00	GRIP	2	2	2	2	2	
3	3FA-26124-01	PROTECTOR, HANDLEBAR	1	1	1	1	1	
4	5GT-2836B-10	TUNING FORK MARK	1	1	1	1	1	
5	3FA-26311-10	CABLE, THROTTLE 1	1	1	1	1	1	
6	3FA-26351-03	CABLE, BRAKE	1	1	1	1	1	
7	90123-08046	BOLT	1	1	1	1	1	
8	90179-08148	NUT	1	1	1	1	1	
9	90175-06013	NUT, WING	1	1	1	1	1	
10	90501-122E1	SPRING, COMPRESSION	1	1	1	1	1	
11	90202-08175	WASHER, PLATE	1	1	1	1	1	
12	90249-12008	PIN	1	1	1	1	1	
13	4KB-26250-10	THROTTLE LEVER ASSY	1	1	1	1	1	
14	4KB-2628F-10	.CAP, GEAR	1	1	1	1	1	
15	1NV-2625G-01	.LEVER, THROTTLE	1	1	1	1	1	
16	90149-04278	.SCREW	3	3	3	3	3	
17	98507-05020	.SCREW	1	1	1	1	1	
18	95607-05100	.NUT, U	1	1	1	1	1	
19	95307-05700	.NUT	1	1	1	1	1	
20	93104-09025	.OIL SEAL	1	1	1	1	1	
21	1NV-26304-00	.SPRING	1	1	1	1	1	
22	4KB-2628G-00	.GASKET	1	1	1	1	1	
23	1NV-26129-00	.WASHER	1	1	1	1	1	
24	1NV-26398-00	.WASHER	1	1	1	1	1	
25	4V4-82913-00	HOLDER, LEVER LOWER 1	1	1	1	1	1	
26	98507-05020	.SCREW	2	2	2	2	2	
27	92907-05100	WASHER, SPRING	2	2	2	2	2	

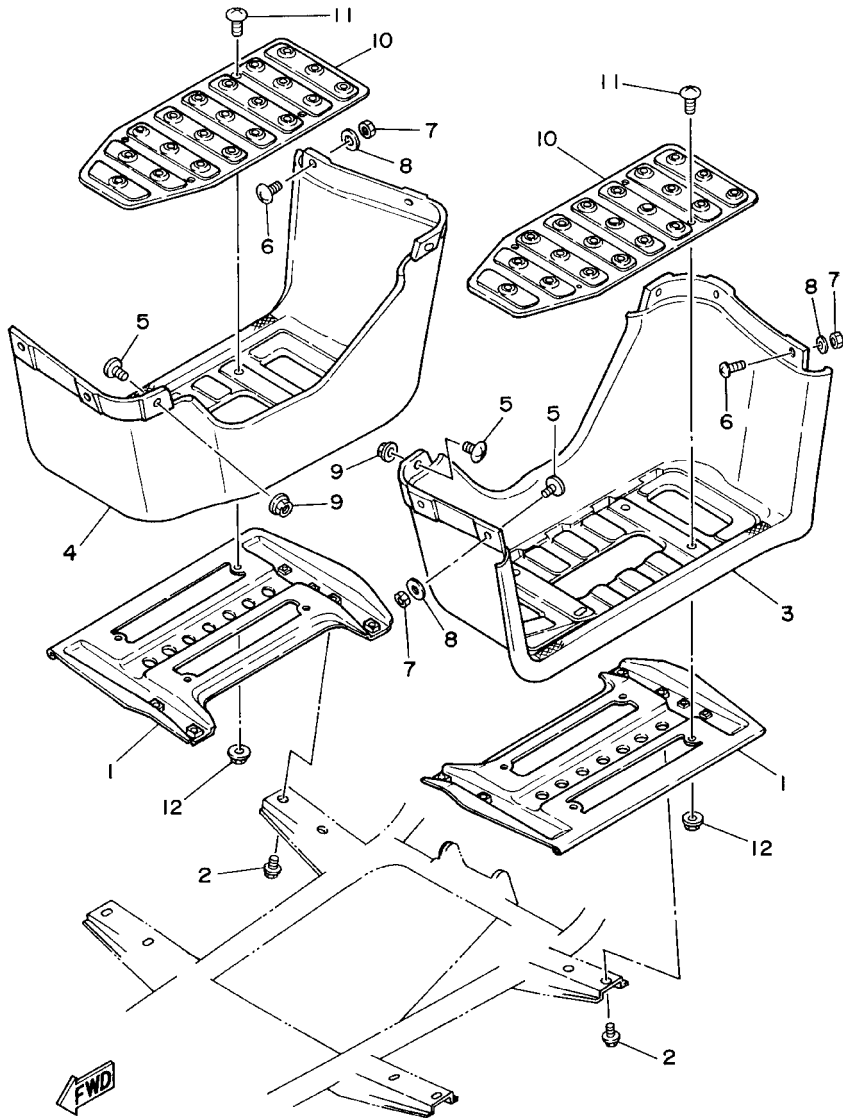
FIG. 25 STEERING HANDLE. CABLE



REF. NO.	PART NO.	DESCRIPTION	U49	CAL	CAN	EUR	JPN	REMARKS
28	3FA-26373-00	CABLE, BRAKE 4	1	1	1	1	1	
29	52H-26371-00	HOUSING, BRAKE LINK	1	1	1	1	1	
30	52H-26347-01	JOINT, CABLE	1	1	1	1	1	
31	52H-2631G-00	PLATE	1	1	1	1	1	
32	98507-03008	SCREW	2	2	2	2	2	
33	92907-03600	WASHER	2	2	2	2	2	
34	98507-05016	SCREW	2	2	2	2	2	
35	92907-05600	WASHER, PLATE	2	2	2	2	2	
36	3FA-26361-00	CABLE, BRAKE	2	2	2	2	2	
37	90501-08511	.SPRING, COMPRESSION	1	1	1	1	1	
38	3FA-26331-01	CABLE, STARTER 1	1	1	1	1	1	
39	3FA-26393-00	HOLDER	1	1	1	1	1	
40	95827-06010	BOLT, FLANGE	1	1	1	1	1	

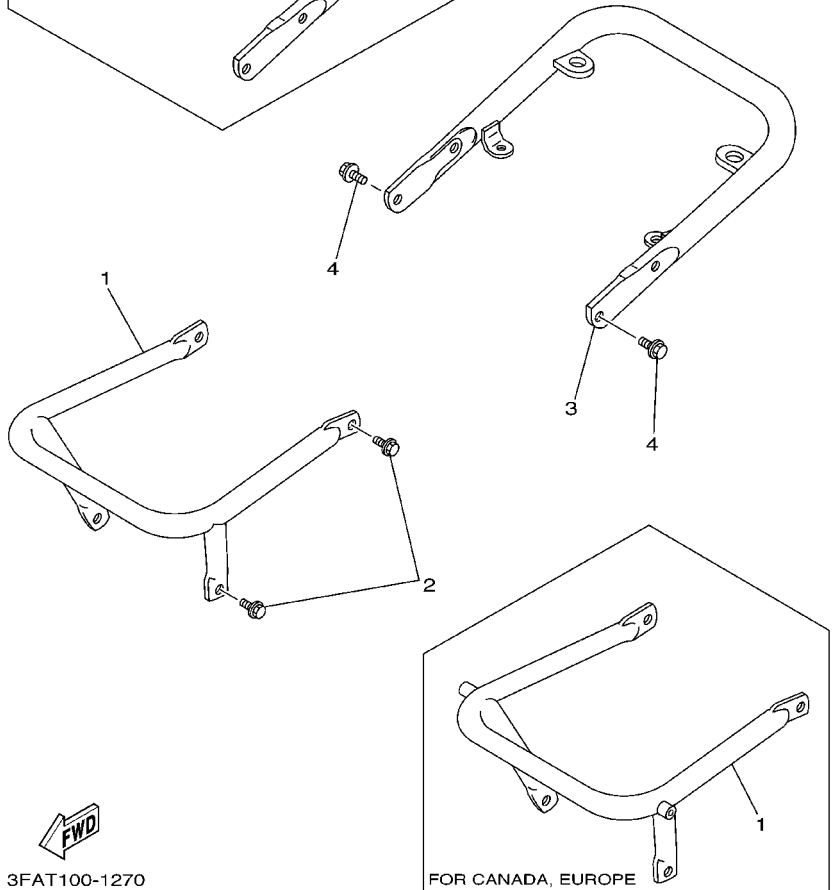
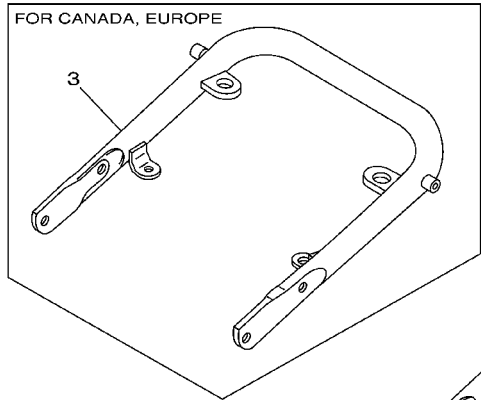
FIG. 26 STAND. FOOTREST

REF. NO.	PART NO.	DESCRIPTION	U49	CAL	CAN	EUR	JPN	REMARKS
1	3FA-27411-10	FOOTREST 1	2	2	2	2	2	
2	95817-08014	BOLT, FLANGE	8	8	8	8	8	
3	3FA-27453-30	COVER 1	1	1	1	1	1	
4	3FA-27463-30	COVER 2	1	1	1	1	1	
5	90154-05005	SCREW, BINDING	10	10	10	10	10	
6	90154-05052	SCREW, BINDING	2	2	2	2	2	
7	95707-05300	NUT, FLANGE	8	8	8	8	8	
8	90201-05029	WASHER, PLATE	8	8	8	8	8	
9	95707-05600	NUT, FLANGE	4	4	4	4	4	
10	3FA-27481-00	BOARD, FOOTREST	2	2	2	2	2	
11	90154-05004	SCREW, BINDING	8	8	8	8	8	
12	95707-05600	NUT, FLANGE	8	8	8	8	8	



3FAB110-4260

FOR CANADA, EUROPE



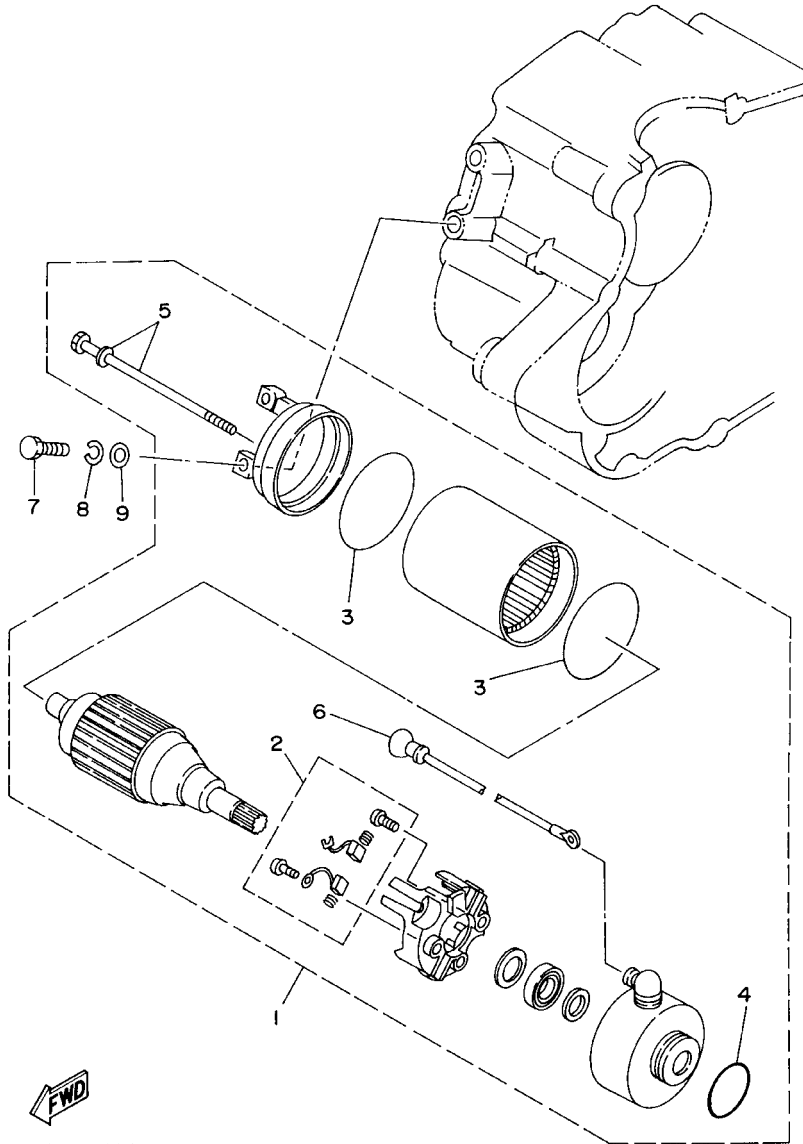
FOR CANADA, EUROPE

FIG. 27 GUARD

REF. NO.	PART NO.	DESCRIPTION	U49	CAL	CAN	EUR	JPN	REMARKS
1	3FA-2845N-00-33	BAR, CARRY FRONT	1	1			1	
	3FA-2845N-10-33	BAR, CARRY FRONT			1	1		
2	95817-08014	BOLT, FLANGE	4	4	4	4	4	
3	3FA-2845R-00-33	BAR, CARRY REAR	1	1			1	
	3FA-2845R-10-33	BAR, CARRY REAR			1	1		
4	95817-08016	BOLT, FLANGE	3	3	3	3	3	

FWD
3FAT100-1270

FIG. 29 STARTING MOTOR

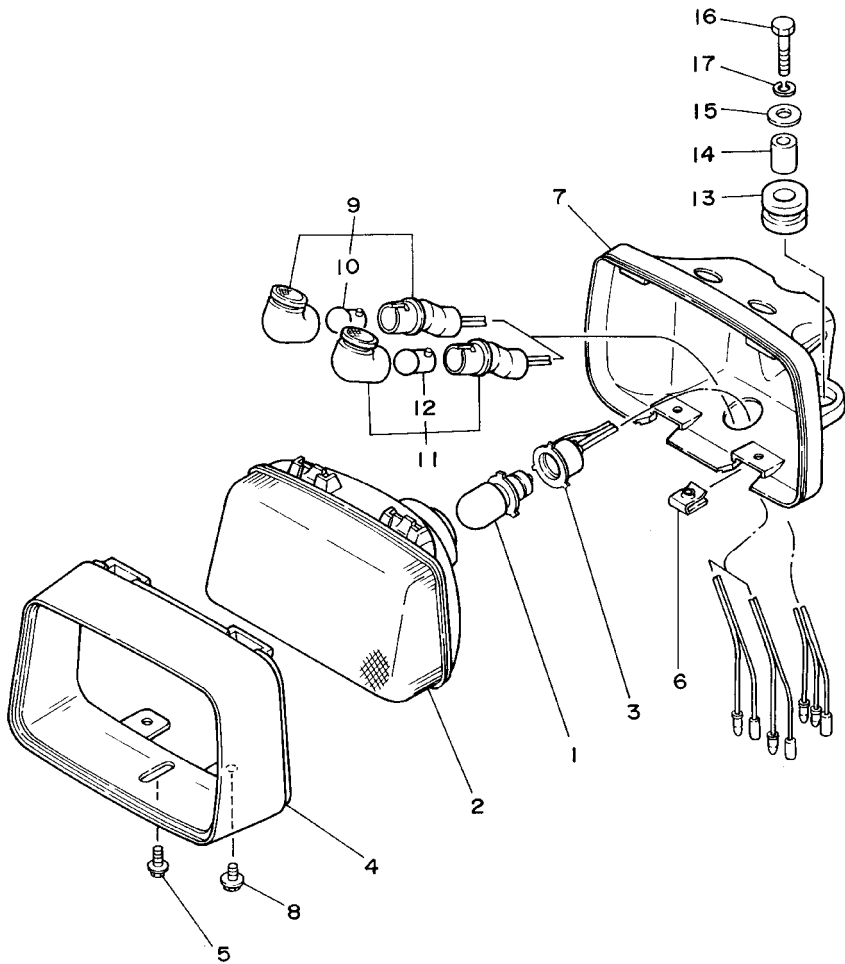


3FA9010-3290

REF. NO.	PART NO.	DESCRIPTION	U49	CAL	CAN	EUR	JPN	REMARKS
1	3FA-81800-01	STARTING MOTOR ASSY	1	1	1	1	1	
2	50M-81801-M0	.BRUSH SET	1	1	1	1	1	
3	93210-55669	.O-RING	2	2	2	2	2	
4	93210-25711	.O-RING	1	1	1	1	1	
5	3FA-81828-00	.BOLT 2	2	2	2	2	2	
6	3FA-8183G-00	.CORD COMP.	1	1	1	1	1	
7	97007-06025	BOLT	2	2	2	2	2	
8	92907-06100	WASHER, SPRING	2	2	2	2	2	
9	92907-06600	WASHER, PLATE	2	2	2	2	2	

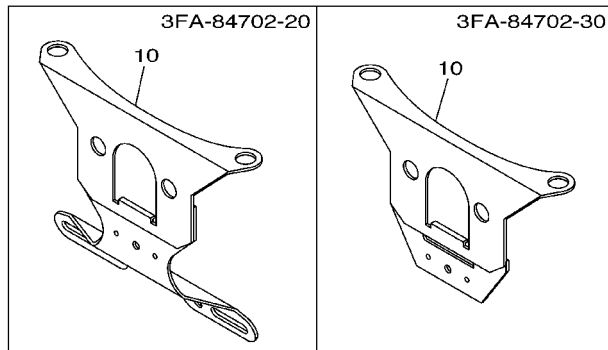
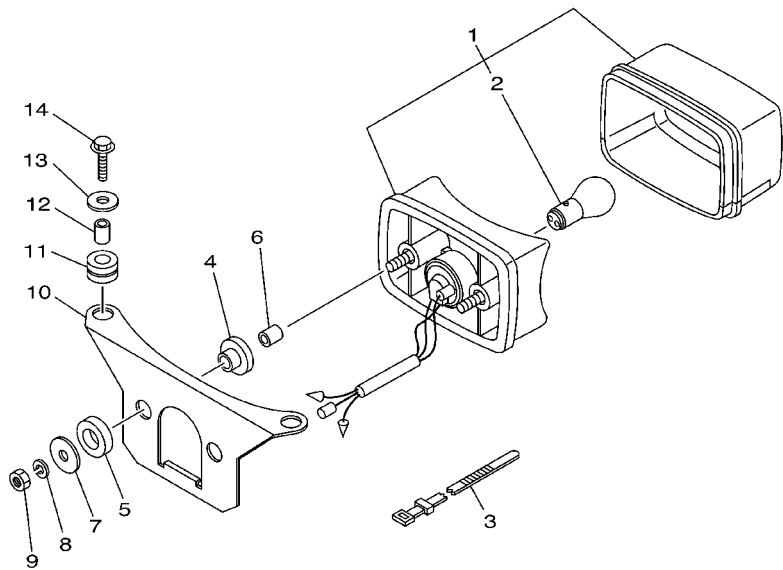
FIG. 30 HEADLIGHT

REF. NO.	PART NO.	DESCRIPTION	U49	CAL	CAN	EUR	JPN	REMARKS
1	102-84314-00	BULB (12V-25/25W)	1	1	1	1	1	
2	3FA-84320-00	LENS ASSY	1	1	1	1	1	
3	3FA-84312-00	HOLDER, SOCKET	1	1	1	1	1	
4	3FA-84315-00	RIM, HEADLIGHT	1	1	1	1	1	
5	3FA-84331-00	SCREW, RIM ADJUSTING	1	1	1	1	1	
6	3FA-84326-00	NUT	2	2	2	2	2	
7	3FA-84311-00	BODY, HEADLIGHT	1	1	1	1	1	
8	3FA-84325-00	SCREW, RIM FITTING	2	2	2	2	2	
9	3FA-83530-20	PILOT LIGHT ASSY	1	1	1	1	1	RED
10	123-83516-21	.BULB (12V-3.4W)	1	1	1	1	1	
11	3FA-83530-30	PILOT LIGHT ASSY	1	1	1	1	1	GREEN
12	123-83516-21	.BULB (12V-3.4W)	1	1	1	1	1	
13	90480-18290	GROMMET	2	2	2	2	2	
14	90387-06553	COLLAR	2	2	2	2	2	
15	90201-06072	WASHER, PLATE	2	2	2	2	2	
16	97027-06025	BOLT	2	2	2	2	2	
17	92907-06100	WASHER, SPRING	2	2	2	2	2	



3FA1110-9300

FIG. 31 TAILLIGHT

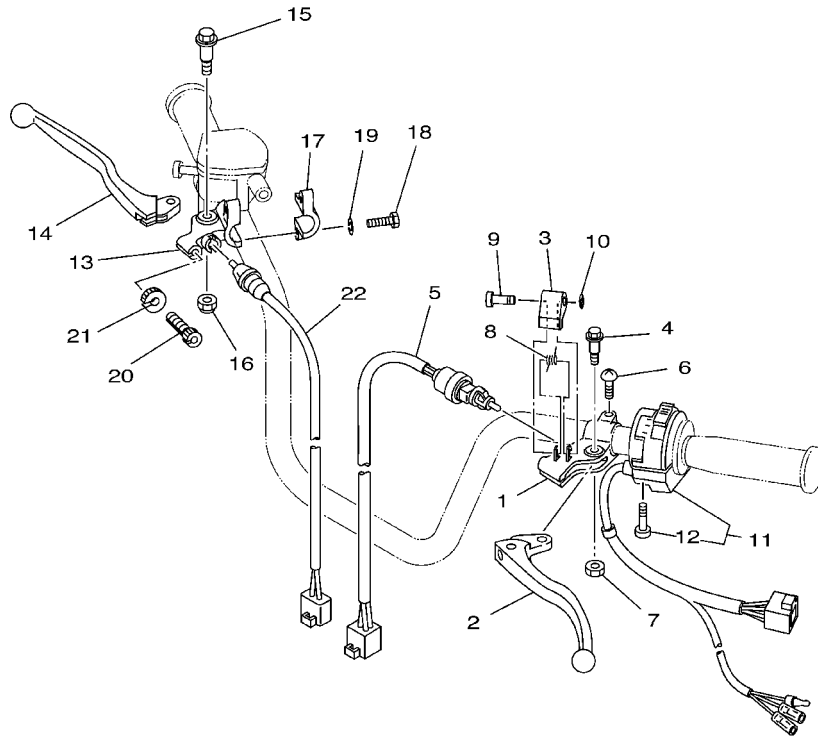


REF. NO.	PART NO.	DESCRIPTION	U49	CAL	CAN	EUR	JPN	REMARKS
1	3FA-84710-00	TAILLIGHT UNIT ASSY	1	1	1	1	1	
2	1A2-84714-41	.BULB (12V-21/5W)	1	1	1	1	1	
3	3TB-83936-00	BAND, SWITCH CORD	1	1	1	1	1	
4	90480-14088	GROMMET	2	2	2	2	2	
5	90202-14077	WASHER, PLATE	2	2	2	2	2	
6	90387-06595	COLLAR	2	2	2	2	2	
7	90201-06074	WASHER, PLATE	2	2	2	2	2	
8	92907-06100	WASHER, SPRING	2	2	2	2	2	
9	95307-06600	NUT	2	2	2	2	2	
10	3FA-84702-10	BRACKET, TAILLIGHT	1	1			1	
	3FA-84702-20	BRACKET, TAILLIGHT			1			
	3FA-84702-30	BRACKET, TAILLIGHT				1		
11	90480-14555	GROMMET	2	2	2	2	2	
12	90387-065L7	COLLAR	2	2	2	2	2	
13	90201-06071	WASHER, PLATE	2	2	2	2	2	
14	95807-06025	BOLT, FLANGE	2	2	2	2	2	



5KJ7100-2320

FIG. 32 HANDLE SWITCH. LEVER

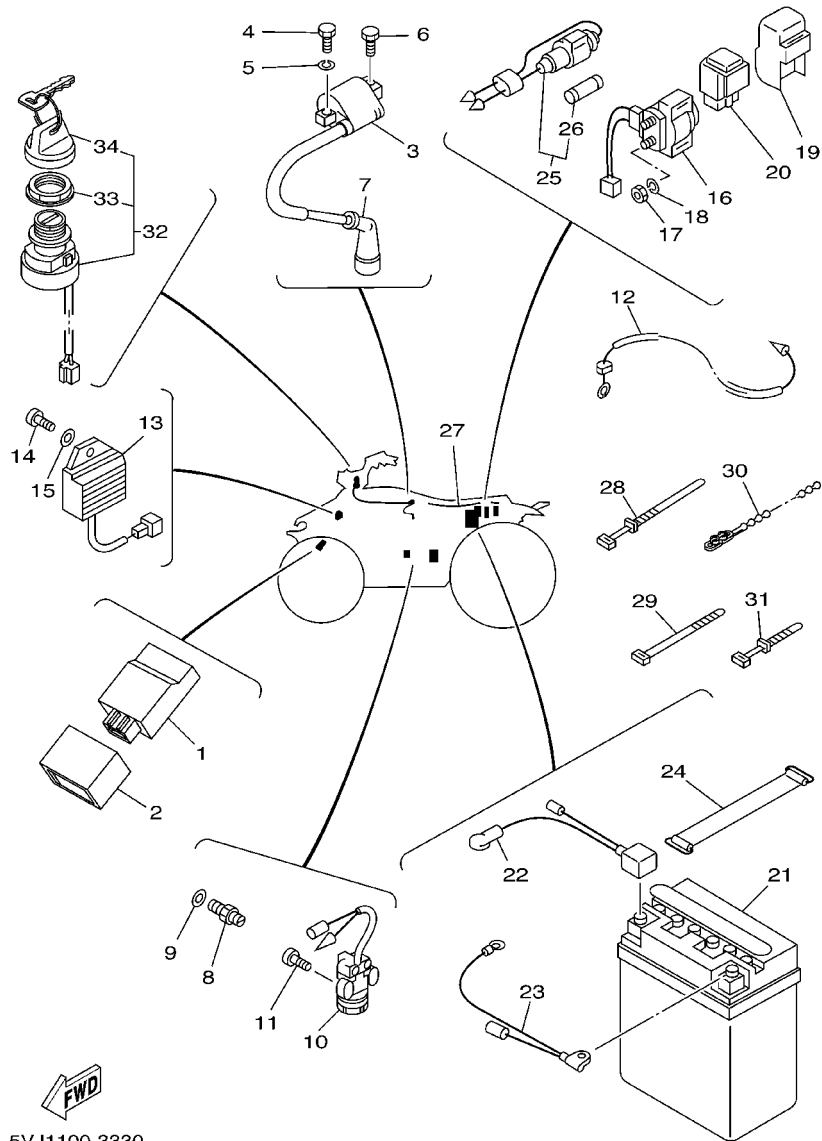


REF. NO.	PART NO.	DESCRIPTION	U49	CAL	CAN	EUR	JPN	REMARKS
1	3FA-82911-01	HOLDER, LEVER 1	1	1	1	1	1	
2	2HT-83912-00	LEVER 1	1	1	1	1	1	
3	3FA-83965-00	LEVER, LOCK	1	1	1	1	1	
4	90109-06799	BOLT	1	1	1	1	1	
5	3FA-83980-02	FRONT STOP SWITCH ASSY	1	1	1	1	1	
6	98507-06020	SCREW	1	1	1	1	1	
7	95607-06100	NUT, U	1	1	1	1	1	
8	3FA-83966-00	SPRING, RETURN	1	1	1	1	1	
9	3FA-83967-00	PIN, LOCK 1	1	1	1	1	1	
10	3FA-26466-00	RING, SNAP	1	1	1	1	1	
11	3FA-83973-20	SWITCH, HANDLE 3	1	1	1	1	1	
12	98506-05030	.SCREW, PAN HEAD	2	2	2	2	2	
13	3JN-82921-00	HOLDER, LEVER 2	1	1	1	1	1	
14	59V-83922-00	LEVER 2	1	1	1	1	1	
15	90109-06799	BOLT	1	1	1	1	1	
16	95607-06100	NUT, U	1	1	1	1	1	
17	2XJ-82913-00	HOLDER, LEVER LOWER 1	1	1	1	1	1	
18	97027-06025	BOLT	2	2	2	2	2	
19	92907-06100	WASHER, SPRING	2	2	2	2	2	
20	90123-08046	BOLT	1	1	1	1	1	
21	90179-08148	NUT	1	1	1	1	1	
22	3FA-83980-10	FRONT STOP SWITCH ASSY	1	1	1	1	1	



3FAW100-2320

FIG. 33 ELECTRICAL 1



REF. NO.	PART NO.	DESCRIPTION	U49	CAL	CAN	EUR	JPN	REMARKS
1	3FA-85540-20	C.D.I. UNIT ASSY	1	1	1	1	1	
2	5HP-85546-00	BAND	1	1	1	1	1	
3	4KJ-82310-10	IGNITION COIL ASSY	1	1	1	1	1	
4	97007-06020	BOLT	1	1	1	1	1	
5	92907-06100	WASHER, SPRING	1	1	1	1	1	
6	90109-06723	BOLT	1	1	1	1	1	
7	1UY-82370-20	PLUG CAP ASSY	1	1	1	1	1	
8	4KM-82540-00	NEUTRAL SWITCH ASSY	1	1	1	1	1	
9	90430-10148	GASKET	1	1	1	1	1	
10	3FA-82627-00	SWITCH	1	1	1	1	1	
11	90149-05283	SCREW	2	2	2	2	2	
12	3FA-82541-00	WIRE, LEAD	1	1	1	1	1	
13	3GB-81960-10	RECTIFIER & REGULATOR ASSY	1	1	1	1	1	
14	98507-06016	SCREW	1	1	1	1	1	
15	92907-06600	WASHER, PLATE	1	1	1	1	1	
16	4KD-81940-00	STARTER RELAY ASSY	1	1	1	1	1	
17	95307-06700	NUT	2	2	2	2	2	
18	92907-06100	WASHER, SPRING	2	2	2	2	2	
19	29U-81950-93	RELAY ASSY	1	1	1	1	1	
20	2NL-81950-92	RELAY ASSY	1	1	1	1	1	
21	3FA-82110-12	BATTERY ASSY (12N12C-4A-2)	1	1	1	1		GS
	90793-25032	BATTERY ASSY (GS12N12CZ-4A-2)					1	
22	3FA-82115-00	WIRE, PLUS LEAD	1	1	1	1	1	
23	3FA-82116-00	WIRE, MINUS LEAD	1	1	1	1	1	
24	133-82131-00	BAND, BATTERY	1	1	1	1	1	
25	3GB-82150-00	FUSE HOLDER ASSY	1	1	1	1	1	
26	3GB-82151-00	.FUSE (5A)	2	2	2	2	2	

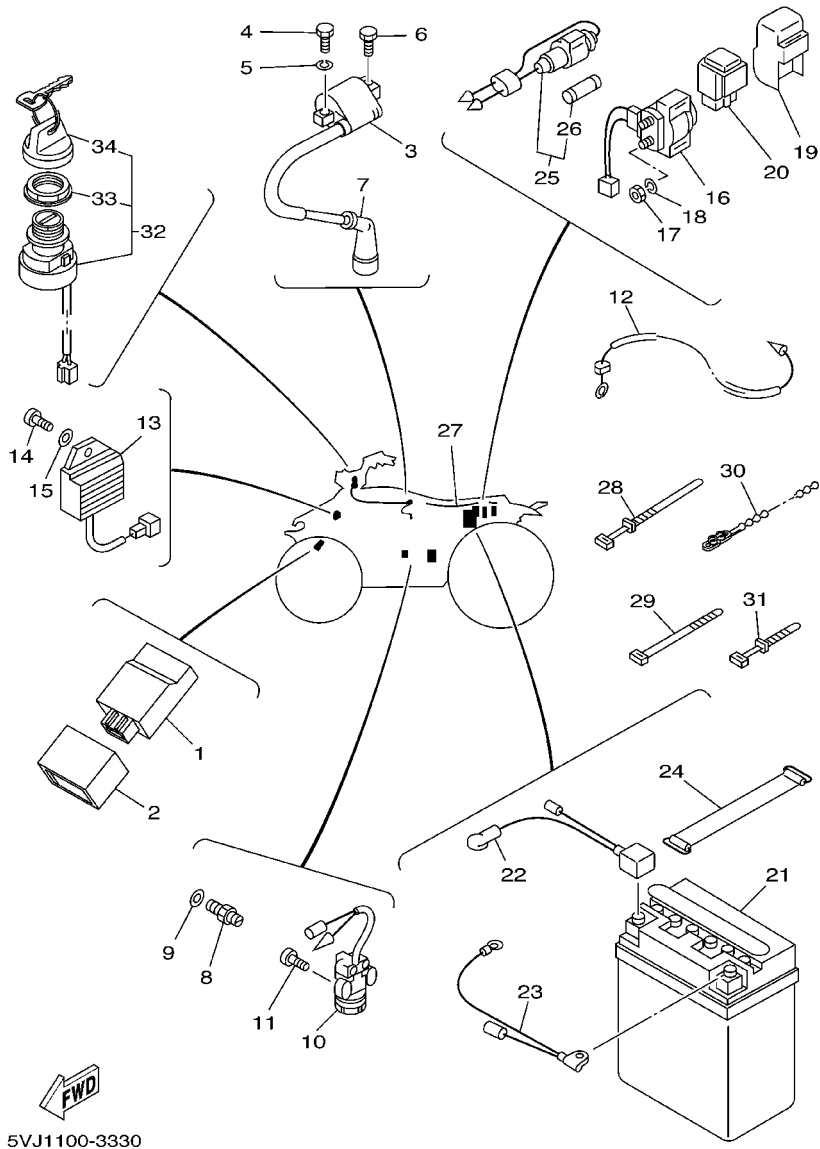
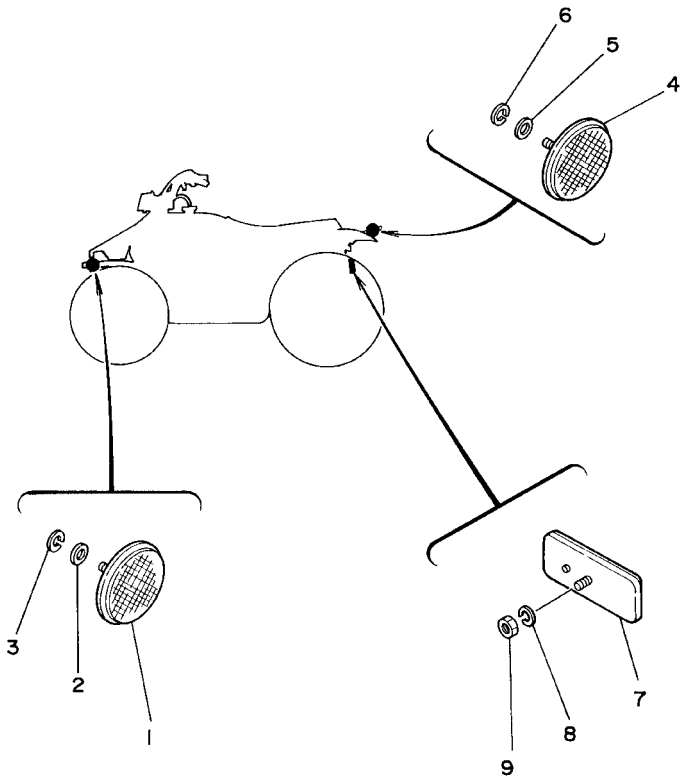


FIG. 33 ELECTRICAL 1

REF. NO.	PART NO.	DESCRIPTION	U49	CAL	CAN	EUR	JPN	REMARKS
27	3FA-82590-30	WIRE HARNESS ASSY	1	1	1	1	1	
28	3TB-83936-00	BAND, SWITCH CORD	5	5	5	5	5	
29	90465-10098	CLAMP	1	1	1	1	1	
30	90464-20031	CLAMP	1	1	1	1	1	
31	437-83936-01	BAND, SWITCH CORD	4	4	4	4	4	
32	5LP-82510-00	MAIN SWITCH ASSY	1	1	1	1	1	
33	3HN-82569-00	.NUT, MAIN SWITCH	1	1	1	1	1	
34	3HN-82579-00	.CAP, KEY	1	1	1	1	1	

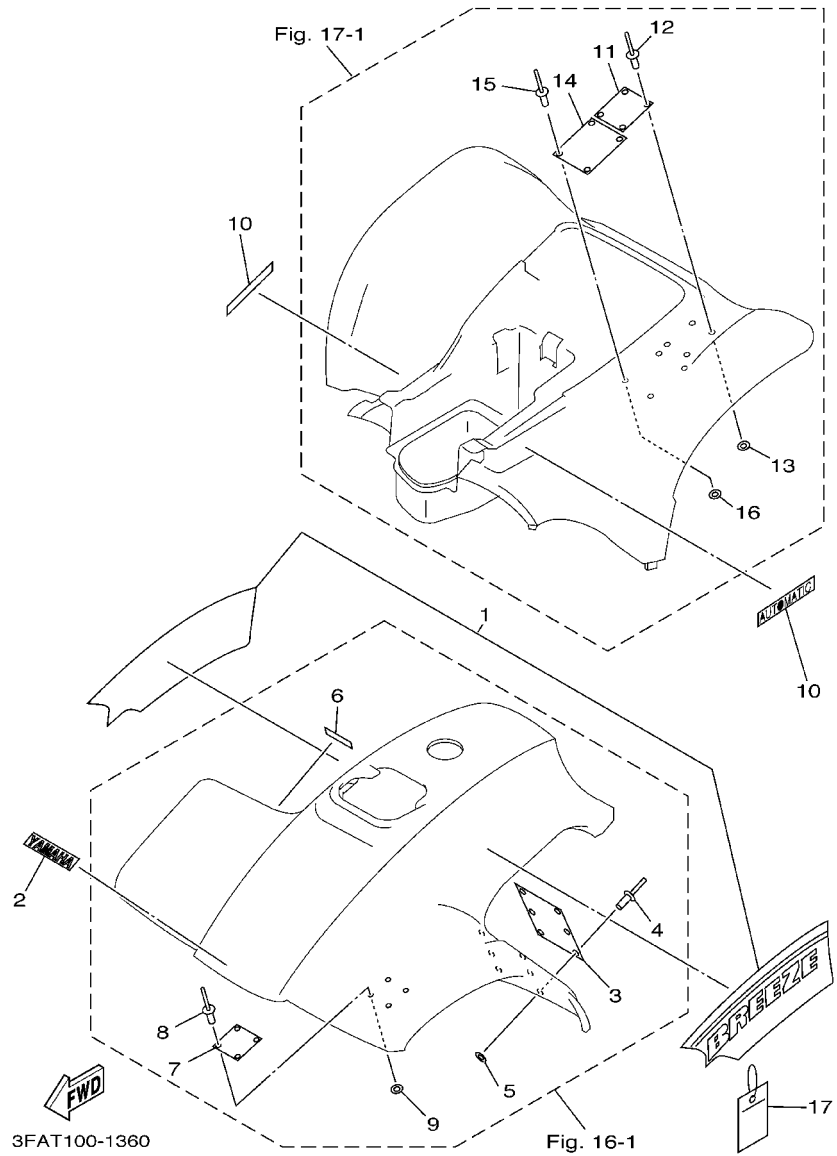
FIG. 34 ELECTRICAL 2

REF. NO.	PART NO.	DESCRIPTION	U49	CAL	CAN	EUR	JPN	REMARKS
1	2EK-85111-00	REFLECTOR, FRONT 1				2	2	
2	92907-05200	WASHER				2	2	
3	92907-05100	WASHER, SPRING				2	2	
4	449-85131-02	REFLECTOR, REAR 1				2	2	
5	92907-05200	WASHER				2	2	
6	92907-05100	WASHER, SPRING				2	2	
7	3Y6-85130-02	REAR REFLECTOR ASSY				1	1	
8	92907-05100	WASHER, SPRING				1	1	
9	95307-05600	NUT				1	1	



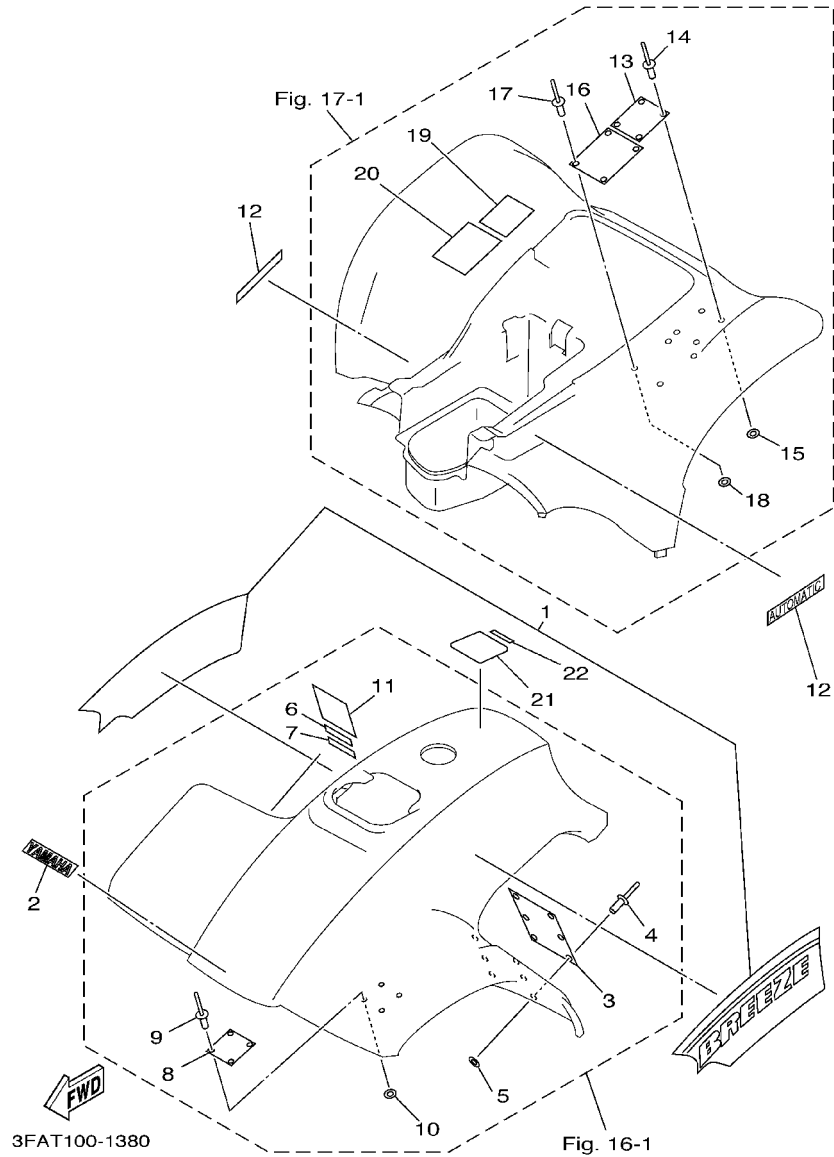
3FA2100-9350

FIG. 35 EMBLEM.LABEL 1



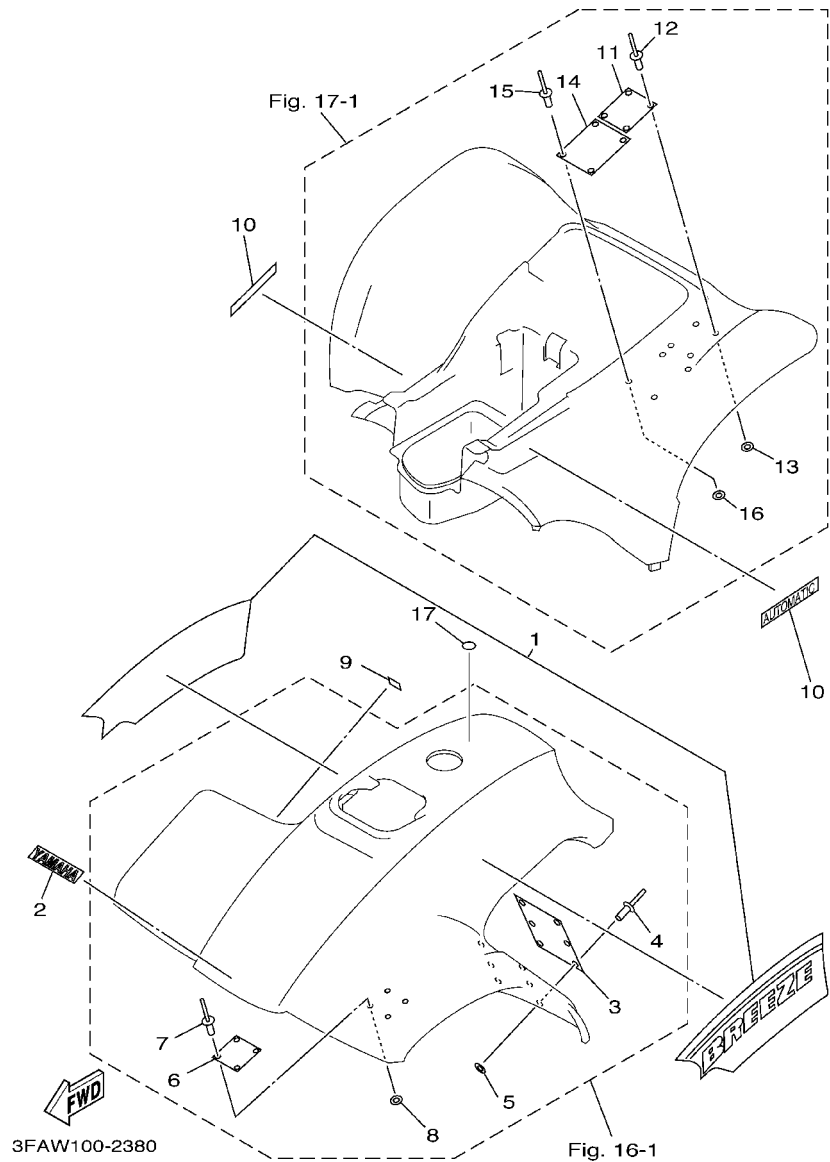
REF. NO.	PART NO.	DESCRIPTION	U49	CAL	CAN	EUR	JPN	REMARKS
1	3FA-21570-50	GRAPHIC SET, FRONT FENDER	1	1				UR FOR DPBSE
	3FA-21570-60	GRAPHIC SET, FRONT FENDER	1	1				UR FOR PDG
2	3GD-2153E-20	EMBLEM, YAMAHA	1	1				
3	5FE-21568-01	LABEL, WARNING	1	1				
4	90267-32004	RIVET, BLIND	6	6				
5	90201-03313	WASHER, PLATE	6	6				
6	3FA-2151E-A0	LABEL 2	1	1				
7	5FE-21697-01	LABEL, CAUTION 2	1	1				
8	90267-32004	RIVET, BLIND	4	4				
9	90201-03313	WASHER, PLATE	4	4				
10	3FA-2163G-B0	EMBLEM 1	2	2				UR FOR DPBSE
	3FA-2163G-C0	EMBLEM 1	2	2				UR FOR PDG
11	5FE-2151H-01	LABEL 5	1	1				
12	90267-32004	RIVET, BLIND	4	4				
13	90201-03313	WASHER, PLATE	4	4				
14	3FA-21696-41	LABEL, CAUTION	1	1				
15	90267-32004	RIVET, BLIND	4	4				
16	90201-03313	WASHER, PLATE	4	4				
17	5KM-2819R-00	TAG, WARNING	1	1				

FIG. 36 EMBLEM.LABEL 2



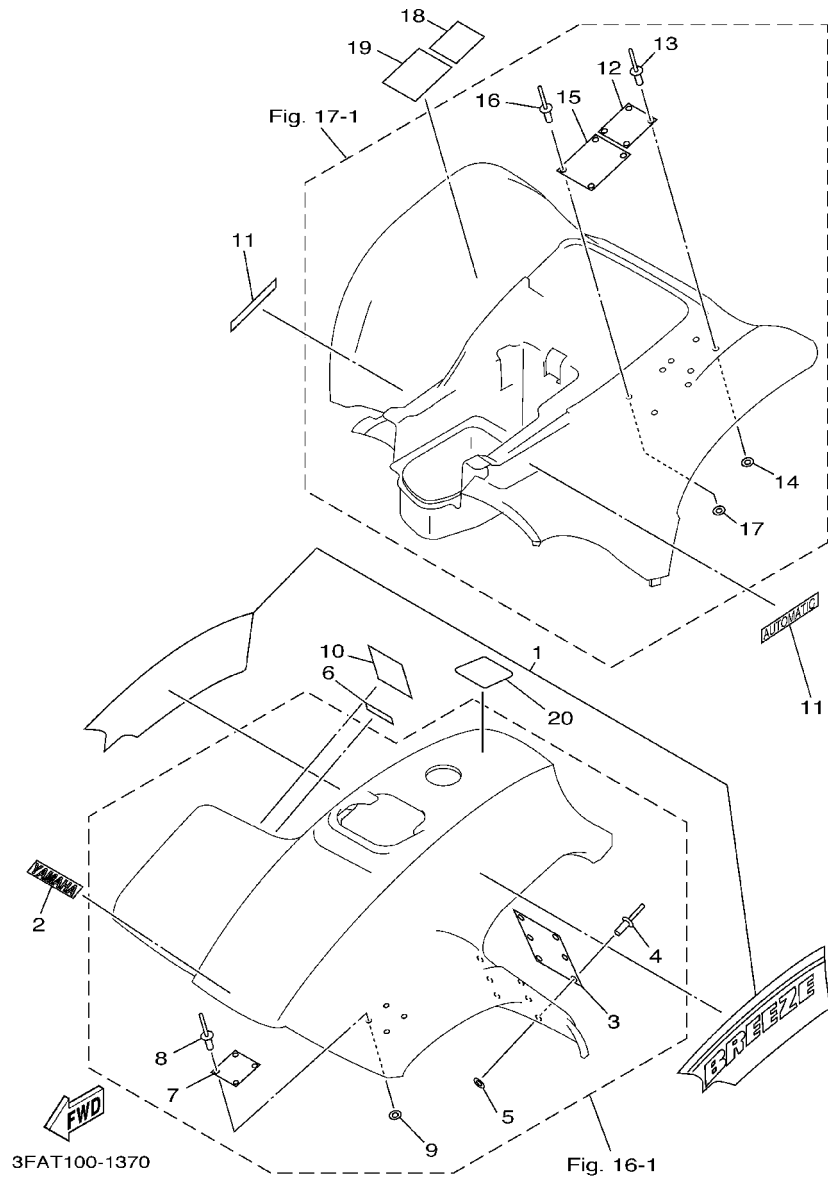
REF. NO.	PART NO.	DESCRIPTION	U49	CAL	CAN	EUR	JPN	REMARKS
1	3FA-21570-50	GRAPHIC SET, FRONT FENDER			1			
2	3GD-2153E-20	EMBLEM, YAMAHA			1			
3	5FE-21568-01	LABEL, WARNING			1			
4	90267-32004	RIVET, BLIND			6			
5	90201-03313	WASHER, PLATE			6			
6	3FA-2151E-A0	LABEL 2			1			
7	3FA-2151E-B0	LABEL 2			1			
8	5FE-21697-01	LABEL, CAUTION 2			1			
9	90267-32004	RIVET, BLIND			4			
10	90201-03313	WASHER, PLATE			4			
11	4WU-21568-10	LABEL, WARNING			1			FRENCH
12	3FA-2163G-B0	EMBLEM 1			2			
13	5FE-2151H-01	LABEL 5			1			
14	90267-32004	RIVET, BLIND			4			
15	90201-03313	WASHER, PLATE			4			
16	3FA-21696-41	LABEL, CAUTION			1			
17	90267-32004	RIVET, BLIND			4			
18	90201-03313	WASHER, PLATE			4			
19	4WU-2151H-10	LABEL 5			1			FRENCH
20	3FA-21696-B0	LABEL, CAUTION			1			
21	3JM-21697-10	LABEL, CAUTION 2			1			FRENCH
22	4SH-2416E-00	LABEL, CAUTION CANADA			1			

FIG. 37 EMBLEM.LABEL 3



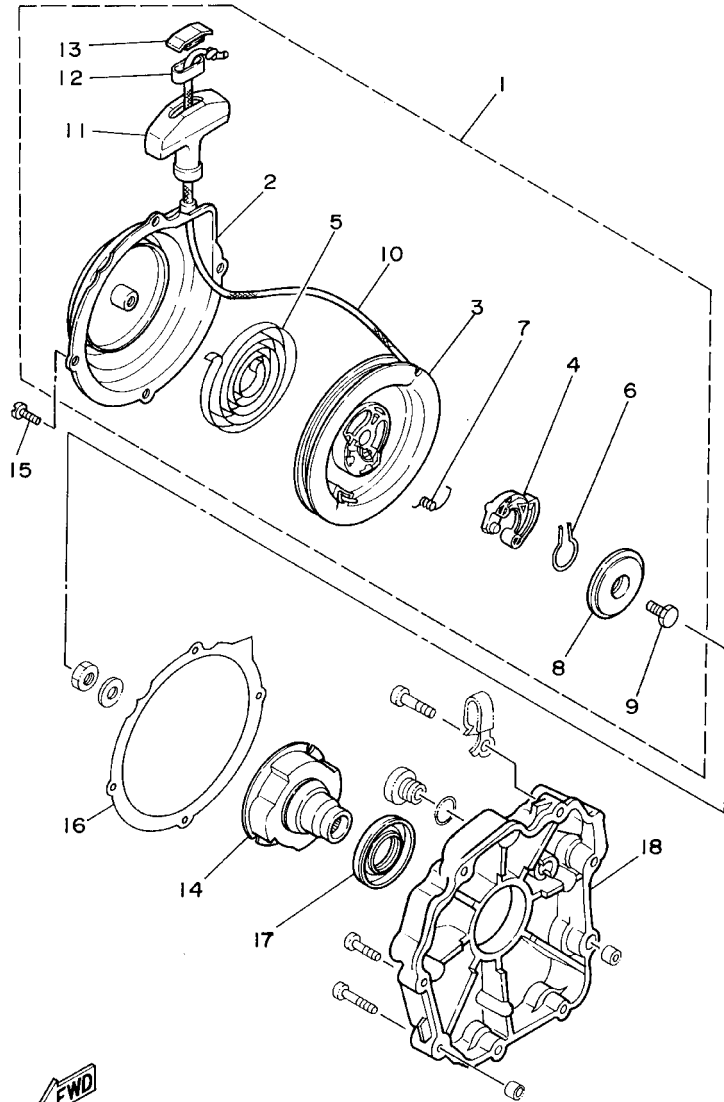
REF. NO.	PART NO.	DESCRIPTION	U49	CAL	CAN	EUR	JPN	REMARKS
1	3FA-21570-50	GRAPHIC SET, FRONT FENDER				1		
2	3GD-2153E-20	EMBLEM, YAMAHA				1		
3	5FK-21568-00	LABEL, WARNING				1		
4	90267-32004	RIVET, BLIND				6		
5	90201-03313	WASHER, PLATE				6		
6	5FK-21697-00	LABEL, CAUTION 2				1		
7	90267-32004	RIVET, BLIND				4		
8	90201-03313	WASHER, PLATE				4		
9	4GB-2155A-00	MARK, EC				1		
10	3FA-2163G-B0	EMBLEM 1				2		
11	5FK-2151H-00	LABEL 5				1		
12	90267-32004	RIVET, BLIND				4		
13	90201-03313	WASHER, PLATE				4		
14	3FA-21696-M0	LABEL, CAUTION				1		
15	90267-32004	RIVET, BLIND				4		
16	90201-03313	WASHER, PLATE				4		
17	3ME-2415E-00	LABEL, CAUTION				1		GBR ONLY

FIG. 38 EMBLEM.LABEL 4



REF. NO.	PART NO.	DESCRIPTION	U49	CAL	CAN	EUR	JPN	REMARKS
1	3FA-21570-50	GRAPHIC SET, FRONT FENDER					1	
2	3GD-2153E-20	EMBLEM, YAMAHA					1	
3	5FE-21568-11	LABEL, WARNING					1	
4	90267-32004	RIVET, BLIND					6	
5	90201-03313	WASHER, PLATE					6	
6	3FA-2151E-C0	LABEL 2					1	
7	5FE-21697-01	LABEL, CAUTION 2					1	
8	90267-32004	RIVET, BLIND					4	
9	90201-03313	WASHER, PLATE					4	
10	4SH-21568-00	LABEL, WARNING					1	
11	3FA-2163G-B0	EMBLEM 1					2	
12	5FE-2151H-01	LABEL 5					1	
13	90267-32004	RIVET, BLIND					4	
14	90201-03313	WASHER, PLATE					4	
15	3FA-21696-41	LABEL, CAUTION					1	
16	90267-32004	RIVET, BLIND					4	
17	90201-03313	WASHER, PLATE					4	
18	4LB-2151H-01	LABEL 5					1	
19	3FA-21696-30	LABEL, CAUTION					1	
20	4SH-21697-00	LABEL, CAUTION 2					1	

FIG. 39 ALTERNATE (ENGINE)



3FAF100-6400

REF. NO.	PART NO.	DESCRIPTION	U49	CAL	CAN	EUR	JPN	REMARKS
1	3FA-15710-00	STARTER ASSY	1	1	1	1	1	
2	3FA-15711-00	.CASE, STARTER	1	1	1	1	1	
3	3FA-15714-00	.DRUM, SHEAVE	1	1	1	1	1	
4	36R-15741-01	.PAWL, DRIVE	1	1	1	1	1	
5	36R-15713-00	.SPRING, STARTER	1	1	1	1	1	
6	36R-15715-00	.SPRING, FRICTION	1	1	1	1	1	
7	36R-15767-00	.SPRING	1	1	1	1	1	
8	36R-15716-00	.PLATE, DRIVE	1	1	1	1	1	
9	97002-06012	.BOLT	1	1	1	1	1	
10	3FA-15751-00	.WIRE, STARTER	1	1	1	1	1	
11	3FA-15755-00	.HANDLE, STARTER	1	1	1	1	1	
12	3FA-15726-00	.WASHER, FLAT	1	1	1	1	1	
13	3FA-15779-00	.COVER	1	1	1	1	1	
14	3FA-15723-01	PULLEY, STARTER	1	1	1	1	1	AP
15	98507-06012	SCREW	4	4	4	4	4	AP
16	3FA-15699-10	GASKET	1	1	1	1	1	AP
17	93102-28476	OIL SEAL	1	1	1	1	1	AP
18	3FA-15787-10	ADAPTOR	1	1	1	1	1	AP FOR MANUAL STARTER

NUMERICAL INDEX

PART NO.	GRID NO.	PART NO.	GRID NO.	PART NO.	GRID NO.	PART NO.	GRID NO.	PART NO.	GRID NO.	PART NO.	GRID NO.
3FA-W215B-60	C-7	50M-12231-00	B-5	3FA-14472-00	B-7	14T-16626-00	B-15	4GB-2155A-00	E-4	3FA-23391-80	C-7
3FA-W215C-60	C-7	50M-12241-00	B-5	583-14561-00	B-8	3FA-17270-00	C-3	4SH-21568-00	E-5	2HR-23442-00	C-10
3FA-W215D-60	C-7	3FA-13300-00	B-6	3DM-14613-00	B-10	3FA-17285-00	C-3	4WU-21568-10	E-3	3GB-23448-00	C-11
3FA-W215D-70	C-7	3FA-13325-00	B-6	3FA-14628-00	B-10	3FA-17411-00	C-3	5FE-21568-01	E-2	3FA-23511-01	C-11
3FA-W2151-60	C-7	22F-13329-01	B-6	3FA-14711-00	B-10	3FA-17421-00	C-3		E-3	1UY-23517-00	C-11
3FA-W2151-70	C-7	3FA-13405-00	B-6	3FA-14751-00	B-10	3FA-17430-00	C-3	5FE-21568-11	E-5	3FA-23517-00	C-11
3FA-W216B-60	C-8	51Y-13411-00	B-6	4BD-14766-00	B-10	3FA-17471-01	C-3	5FK-21568-00	E-4	3FA-23521-01	C-11
3FA-W216C-60	C-8	3Y1-13416-01	B-6	3FA-1490J-00	B-8	3FA-17519-10	C-3	3FA-21570-50	E-2	3FA-23570-00-33	C-11
3FA-W2161-60	C-8	3FA-13586-00	B-7	3FA-1490J-10	B-8	3FA-17551-00	C-3		E-3	3FA-23580-00-33	C-11
3FA-W2161-70	C-8	5VJ-1410A-00	B-8	59V-14962-00	B-9	3FA-17611-00	B-15		E-4	1UY-23812-00	C-10
3FA-W217C-80	C-7	5VJ-14101-00	B-8	3FA-15100-00	B-11	3FA-17620-01	B-15		E-5	3FA-23813-01	C-10
3FA-W2536-00	D-2	5VJ-14101-10	B-8	30X-15351-00	B-6	50W-17623-00	B-15	3FA-21570-60	E-2	8K1-23814-00	C-10
4BE-W2536-00	C-14	18G-14103-00	B-8	3FA-15362-00	B-13	50M-1763E-01	B-15	3FA-21613-01	C-8	3FA-23831-10	C-10
50M-1111F-00	B-5	21V-14105-00	B-9	50M-15381-00	B-15	50M-17630-00	B-15	3FA-21614-01	C-8	1UY-23841-01	C-10
3FA-11110-02	B-2	10X-14106-00	B-8	3FA-15411-00	B-13	50M-17632-00	B-15	3FA-21621-10	C-8	1UY-23845-01	C-10
22F-11134-10	B-2	3FA-14112-25	B-8	50M-15418-00	B-11	3FA-17641-00	B-15	3FA-2163G-B0	E-2	3FA-23868-20	C-10
3FA-11145-00	B-5	4U5-14126-00	B-8	3FA-15451-11	B-13	4CW-17653-00	B-15		E-3	1UY-23894-01	C-10
3FA-11160-00	B-2	21V-14131-00	B-8	3FA-15461-10	B-11	3FA-17660-02	C-2		E-4	3FA-24110-00	C-12
3FA-11166-00	B-2	21V-1414M-31	B-8	3FA-15462-10	B-11	50W-17664-00	C-2		E-5	3FA-2414A-00	C-12
59V-11167-00	B-11	21V-14141-26	B-8	3FA-15467-00	B-13	3FA-17670-00	C-2	3FA-2163G-C0	E-2	3ME-2415E-00	E-4
50M-11181-00	B-2	1NT-14142-12	B-9	3FA-15471-00	B-13	50W-17674-00	C-2	1UY-21639-00	C-8	4SH-2416E-00	E-3
22F-11186-00	B-2	18M-14144-09	B-8	3FA-15472-00	B-13	3FA-17684-00	C-2	3FA-21691-10	C-8	55W-24500-01	C-12
214-11198-01	B-11	21V-14146-00	B-8	3FA-15475-00	B-13	3FA-18101-01	C-5	3FA-21696-B0	E-3	4X8-24512-00	C-12
3FA-11310-00	B-2	24W-14147-00	B-9	3FA-15477-00	B-13	3FA-18128-00	C-5	3FA-21696-M0	E-4	3AJ-24523-00	C-12
3FA-11351-10	B-2	3FA-14148-00	B-8	50M-15512-00	B-14	3FA-18152-00	C-5	3FA-21696-30	E-5	3AJ-24534-00	C-12
3FA-11400-00	B-3	5V7-14153-00	B-9	3FA-15521-00	B-14	3FA-18164-00	C-5	3FA-21696-41	E-2	2FJ-24610-00	C-12
3FA-11500-00	B-3	3X3-14169-00	B-8	50M-15524-00	B-14	3FA-18174-00	C-5		E-3	3FA-24710-80	C-13
2HX-11610-00	B-3	24W-14184-00	B-8	50M-15570-02	B-14	3FA-18191-00	C-5		E-5	3FA-24731-80	C-13
2HX-11610-20	B-3	21V-14185-00	B-8	3FA-15699-10	E-6	4GB-18512-00	C-5	3JM-21697-10	E-3	4K0-24774-01	C-13
2HX-11610-40	B-3	127-14186-00	B-8	3FA-15710-00	E-6	1HX-18535-00	C-5	4SH-21697-00	E-5	4K0-24775-00	C-13
3FA-11631-00-A0	B-3	21V-14190-18	B-8	3FA-15711-00	E-6	3FA-18540-00	C-5	5FE-21697-01	E-2	29U-24776-00	C-13
22K-11633-01	B-3	12R-14191-00	B-8	36R-15713-00	E-6	5VJ-21110-00	C-6		E-3	3FA-25111-00	C-14
3FA-11636-00	B-3	24W-14193-00	B-9	3FA-15714-00	E-6	3FA-2115K-00	C-6		E-5	3FA-25117-00	C-14
3FA-11638-00	B-3	29U-14197-00	B-9	36R-15715-00	E-6	3FA-21315-00	C-6	5FK-21697-00	E-4	3FA-25121-00	C-14
50M-12111-00	B-4	3FA-14197-00	B-8	36R-15716-00	E-6	3FA-2151E-A0	E-2	3FA-21697-00	E-4	52H-2513A-00	C-14
3FA-12113-00	B-4	620-1423A-66	B-8	3FA-15723-01	E-6		E-3	3FA-2171A-80	C-7		C-15
22F-12116-00	B-4	620-1423A-67	B-8	3FA-15726-00	E-6	3FA-2151E-B0	E-3	5VJ-2179T-00	B-7		C-15
22F-12117-02	B-4	3FA-14412-01	B-7	36R-15741-01	E-6	3FA-2151E-C0	E-5	3FA-22110-00-33	C-9	2N3-25155-00	D-2
22F-12118-01	B-4	2NL-14419-00	B-7	3FA-15751-00	E-6	4LB-2151H-01	E-5	3FA-22126-00	C-9	3FA-25155-00	C-14
2HX-12119-00	B-4	3FA-14422-00	C-7	3FA-15755-00	E-6	4WU-2151H-10	E-3	1W1-22128-00	C-9	3FA-25156-00	C-15
50M-12121-01	B-4	3FA-14424-00	B-7	36R-15767-00	E-6	5FE-2151H-01	E-2	401-22128-01	C-9	3FA-25169-00	C-14
50M-12151-00	B-4	3FA-14437-00	B-7	3FA-15779-00	E-6		E-2	2JX-22141-00	C-9	3FA-25180-00-35	C-14
22F-12156-00	B-4	2XJ-14451-00	B-7	3FA-15787-00	B-11		E-3	2A6-22151-00	C-9	3FA-2531E-00	D-3
22F-12159-00	B-4	36F-14452-00	B-7	3FA-15787-10	E-6		E-5	2A6-22152-00	C-9	3FA-25311-00	D-2
50M-12170-00	B-5	3FA-14453-00	B-7	3FA-16111-00	B-15	5FK-2151H-00	E-4	10V-22178-00	C-6	3FA-25317-00	D-2
50M-12176-00	B-5	59V-14457-00	B-7	3FA-16151-00	C-3	3GD-2153E-20	E-2	4V4-22184-00	C-6	23F-2533A-00	D-2
50M-12210-00	B-5	2XJ-14458-00	B-7	4DH-16611-00	B-15		E-3	3FA-2219X-00	C-9	3FA-25336-00	D-3
4RF-12213-00	B-5	3FA-14461-00	C-7	3FA-16620-00	B-15		E-4	3FA-22210-00-33	C-9	3FA-25343-00	D-2
							E-5	3FA-23350-00-33	C-11	5G3-25351-02	C-14

NUMERICAL INDEX

PART NO.	GRID NO.	PART NO.	GRID NO.	PART NO.	GRID NO.	PART NO.	GRID NO.	PART NO.	GRID NO.	PART NO.	GRID NO.
55X-25351-00	D-2	3FA-81828-00	D-9	3FA-84702-10	D-11	90154-05052	C-7	90201-10774	C-10	90387-175R2	C-14
5V6-25367-00	D-2	3FA-8183G-00	D-9	3FA-84702-20	D-11		D-6	90201-120A5	D-3	90387-251W4	C-8
3FA-25381-00	D-2	4KD-81940-00	D-13	3FA-84702-30	D-11	90155-06007	B-6	90201-122H1	D-8	90430-06014	B-5
3FA-25383-00	D-2	2NL-81950-92	D-13	3FA-84710-00	D-11	90170-05302	B-4	90201-126A7	C-9	90430-10148	D-13
3FA-25386-00	D-2	29U-81950-93	D-13	1A2-84714-41	D-11	90170-10186	C-10	90201-12749	C-9	90430-14043	B-11
1UY-25388-00	D-3	3GB-81960-10	D-13	2EK-85111-00	D-15	90170-10219	D-2	90201-13409	C-6	90430-14194	C-5
3FA-25390-00-35	D-2	3FA-82110-12	D-13	3Y6-85130-02	D-15	90170-12181	D-8	90201-14226	D-3	90445-09304	C-12
10V-25412-00	D-2	3FA-82115-00	D-13	449-85131-02	D-15	90170-12338	C-2	90201-14586	C-14	90445-10456	C-12
390-25412-01	D-3	3FA-82116-00	D-13	3FA-85540-20	D-13	90170-33376	D-2	90201-15700	C-3	90445-121F6	B-11
3FA-25432-20	D-2	29W-82123-00	C-8	5HP-85546-00	D-13	90170-36279	B-15	90201-163F8	B-14	90450-45075	B-7
55X-25715-00	D-3	133-82131-00	D-13	90101-06278	C-14	90171-10004	C-11	90201-221M8	C-3	90460-54085	B-13
3FA-26111-10	D-4	3GB-82150-00	D-13		C-15	90171-10046	C-10	90201-252A4	C-3	90460-58124	B-7
3FA-26124-01	D-4	3GB-82151-00	D-13	90101-08034	D-2	90171-14020	C-14	90202-05193	C-12	90464-20031	D-14
1NV-26129-00	D-4	4KJ-82310-10	D-13	90101-08590	D-3	90171-14037	D-3	90202-08175	D-4	90465-08125	B-12
3GB-26241-00	D-4	1UY-82370-20	D-13	90101-08647	B-5	90175-06013	D-4	90202-14077	D-11	90465-08127	B-11
1NV-2625G-01	D-4	5LP-82510-00	D-14	90105-08324	D-3	90179-05525	C-7	90206-06090	B-10	90465-10098	D-14
4KB-26250-10	D-4	4KM-82540-00	D-13	90105-08324	B-2	90179-08148	D-12	90209-06096	B-7	90467-09006	C-12
4KB-2628F-10	D-4	3FA-82541-00	D-13	90105-10183	C-6		D-4	90214-04038	B-15	90467-13064	B-11
4KB-2628G-00	D-4	3HN-82569-00	D-14	90105-10388	C-9	90179-10540	C-14	90215-14236	C-2		B-2
1NV-26304-00	D-4	3HN-82579-00	D-14	90105-10409	C-6		D-2	90215-21239	C-3	90467-22080	B-7
52H-2631G-00	D-5	3FA-82590-30	D-14	90105-10561	C-11	90179-14469	B-15	90215-22276	C-3	90480-01400	C-12
3FA-26311-10	D-4	3FA-82627-00	D-13	90105-10585	D-3	90179-20255	C-3	90240-12092	C-9	90480-13018	B-11
3FA-26331-01	D-5	3FA-82911-01	D-12	90105-10727	C-11	90179-55464	C-3	90249-12008	D-4	90480-14088	D-11
52H-26347-01	D-5	2XJ-82913-00	D-12	90105-12573	D-3	90185-08097	C-6	90267-32004	E-2	90480-14555	D-11
3FA-26351-03	D-4	4V4-82913-00	D-4	90105-14367	C-5	90185-10091	C-11		E-3	90480-18290	C-12
3FA-26361-00	D-5	3JN-82921-00	D-12	90109-063F7	C-5		C-6		E-4		D-10
52H-26371-00	D-5	123-83516-21	D-10	90109-06723	D-13		C-9		E-5	90501-08511	D-5
3FA-26373-00	D-5	3FA-83530-20	D-10	90109-06799	D-12	90185-10115	C-10	90269-05055	C-5	90501-10353	C-5
3FA-26393-00	D-5	3FA-83530-30	D-10	90109-08705	C-6	90185-12134	C-9	90280-03047	B-3	90501-122E1	D-4
1NV-26398-00	D-4	2HT-83912-00	D-12	90109-104A8	C-11	90201-03313	E-2	90336-22056	C-10	90501-18576	B-6
3FA-26466-00	D-12	59V-83922-00	D-12	90110-06142	C-5		E-3	90340-14036	B-11	90501-505F1	C-2
371-27114-00	C-13	3TB-83936-00	D-11	90114-10010	C-14		E-4	90340-14117	B-12	90506-15260	C-14
3FA-27411-10	D-6		D-14		D-2		E-5	90340-14132	B-11		D-2
3FA-27453-30	D-6	437-83936-01	D-14	90116-06541	B-2	90201-05029	C-8	90340-36078	B-12	90508-12761	C-5
3FA-27463-30	D-6	3FA-83965-00	D-12	90116-08507	D-3		D-6	90381-15040	C-6	90508-20779	C-13
3FA-27481-00	D-6	3FA-83966-00	D-12	90116-10483	D-2	90201-060L5	C-12	90381-15088	C-11	90508-29760	C-5
3GB-28100-00	C-6	3FA-83967-00	D-12	90119-06056	C-7	90201-06071	D-11	90381-17067	C-11	90560-15348	C-3
1NV-2811A-01	C-6	3FA-83973-20	D-12		C-8	90201-06072	D-10	90386-18028	C-9	90793-20071	B-2
5KM-2819R-00	E-2	3FA-83980-02	D-12	90119-06063	C-7	90201-06074	D-11	90387-065L7	D-11	90793-25032	D-13
5GT-2836B-10	D-4	3FA-83980-10	D-12	90119-06073	C-12	90201-06412	B-15	90387-06553	D-10	91A20-07010	B-9
3FA-2845N-00-33	D-7	3FA-84311-00	D-10	90123-08046	D-12	90201-06630	B-13	90387-06595	D-11	91317-06012	B-5
3FA-2845N-10-33	D-7	3FA-84312-00	D-10		D-4	90201-08087	B-11	90387-066H4	C-12		C-8
3FA-2845R-00-33	D-7	102-84314-00	D-10	90149-04278	D-4	90201-08326	B-10	90387-07598	C-12	91317-06016	B-5
3FA-2845R-10-33	D-7	3FA-84315-00	D-10	90149-05283	D-13		B-5	90387-090R0	C-10	91317-06020	B-7
3FA-81410-00	D-8	3FA-84320-00	D-10	90149-06011	C-12	90201-08609	B-2	90387-101R3	C-11		C-3
3FA-81450-00	D-8	3FA-84325-00	D-10	90154-05004	D-6	90201-08759	C-11	90387-113W0	D-3	91317-06110	B-2
3FA-81800-01	D-9	3FA-84326-00	D-10	90154-05005	C-8	90201-10135	B-14	90387-161V0	B-15	91401-20020	C-10
50M-81801-M0	D-9	3FA-84331-00	D-10		D-6	90201-106F2	D-3	90387-167L5	B-5		C-11

NUMERICAL INDEX

PART NO.	GRID NO.	PART NO.	GRID NO.	PART NO.	GRID NO.	PART NO.	GRID NO.	PART NO.	GRID NO.	PART NO.	GRID NO.
91401-25015	C- 5	93210-12327	C- 14	94582-02074	D- 3	98507-06010	B- 10				
91401-30025	C- 14		C- 15	94701-00250	B- 2		B- 15				
	C- 9	93210-14104	D- 2	95307-05600	D- 15	98507-06012	D- 3				
91401-30030	D- 3	93210-14369	B- 12	95307-05700	D- 4		E- 6				
91701-08058	C- 5	93210-15414	C- 6	95307-06600	C- 14	98507-06016	B- 2				
92502-06008	B- 9	93210-19123	B- 13		C- 15		D- 13				
92902-03100	B- 8	93210-25711	D- 9		D- 11	98507-06020	D- 12				
92902-04100	B- 9	93210-30611	B- 7		D- 2	98507-06030	B- 11				
92907-03600	D- 5	93210-347A1	B- 6	95307-06700	D- 13		B- 12				
92907-05100	D- 15	93210-357A3	B- 12	95307-08600	D- 3		B- 13				
	D- 3	93210-41041	C- 6	95307-10700	C- 10	98507-06040	B- 11				
	D- 4	93210-43713	C- 2	95607-05100	D- 4		B- 12				
92907-05200	D- 15	93210-44704	B- 2	95607-06100	D- 12	98507-06045	B- 13				
92907-05600	B- 7	93210-53679	B- 2	95707-05300	C- 8	98507-06060	B- 11				
	C- 7	93210-55669	D- 9		D- 6		B- 7				
	D- 3	93210-63556	B- 2	95707-05600	D- 6	98507-06070	B- 11				
	D- 5	93210-704A7	B- 11	95707-06500	B- 10	98507-06090	B- 13				
92907-06100	D- 10	93210-97690	B- 15		B- 7	98507-08012	B- 11				
	D- 11	93211-63688	D- 3		C- 13	98707-06016	B- 11				
	D- 12	93306-00307	B- 14	95807-06012	C- 6	98907-06010	B- 10				
	D- 13	93306-00308	C- 14	95807-06025	D- 11	98980-04012	B- 15				
	D- 3	93306-00433	B- 15	95817-08014	D- 6	99001-04600	C- 13				
	D- 9	93306-00705	D- 2		D- 7	99001-05600	B- 6				
92907-06200	C- 11	93306-20201	C- 3	95817-08016	B- 10	99001-09600	B- 14				
	C- 8	93306-20215	B- 3		C- 6	99001-10600	B- 6				
	C- 9	93306-20301	C- 3		D- 7	99001-12600	C- 5				
92907-06600	B- 10	93306-20336	B- 3	95827-06010	D- 5	99009-22400	B- 15				
	C- 5	93306-20401	C- 3	95827-06025	C- 5	99530-10114	B- 11				
	D- 13	93306-20532	C- 3	95827-08016	C- 9		B- 13				
	D- 9	93306-30201	C- 4	95827-08050	C- 10		B- 2				
92907-08600	C- 5	93311-43048	C- 3	97002-06012	E- 6	99530-12016	B- 11				
92990-10600	C- 10	93315-11040	B- 14	97007-06020	D- 13						
93101-21170	B- 15	93399-99918	B- 15	97007-06025	D- 9						
93102-14209	C- 5	93410-22039	C- 3	97027-06025	D- 10						
93102-22294	B- 11	93440-10109	B- 2		D- 12						
93102-22335	B- 15	93450-14088	B- 3	97027-08060	C- 10						
93102-23275	C- 14	93450-35015	B- 14	97801-03008	C- 12						
93102-28476	E- 6	93503-08007	C- 5	97802-03008	B- 8						
93102-30243	C- 3	93605-18078	B- 11	97880-06020	D- 8						
93102-35349	D- 3	93700-06004	C- 11	98502-04014	B- 9						
93102-40367	C- 14		C- 6	98506-05030	D- 12						
	C- 15		C- 9	98507-03008	D- 5						
93102-42260	D- 2	93834-12016	C- 3	98507-05010	D- 3						
93104-09025	D- 4	93900-00022	C- 14	98507-05016	D- 5						
93104-41119	C- 2		D- 2	98507-05020	C- 7						
93112-31011	C- 10	94107-086W7	C- 14		D- 4						
93210-06564	B- 11	94110-086W8	D- 2	98507-05050	B- 7						
93210-08006	B- 6	94580-25092	B- 5	98507-06008	B- 13						