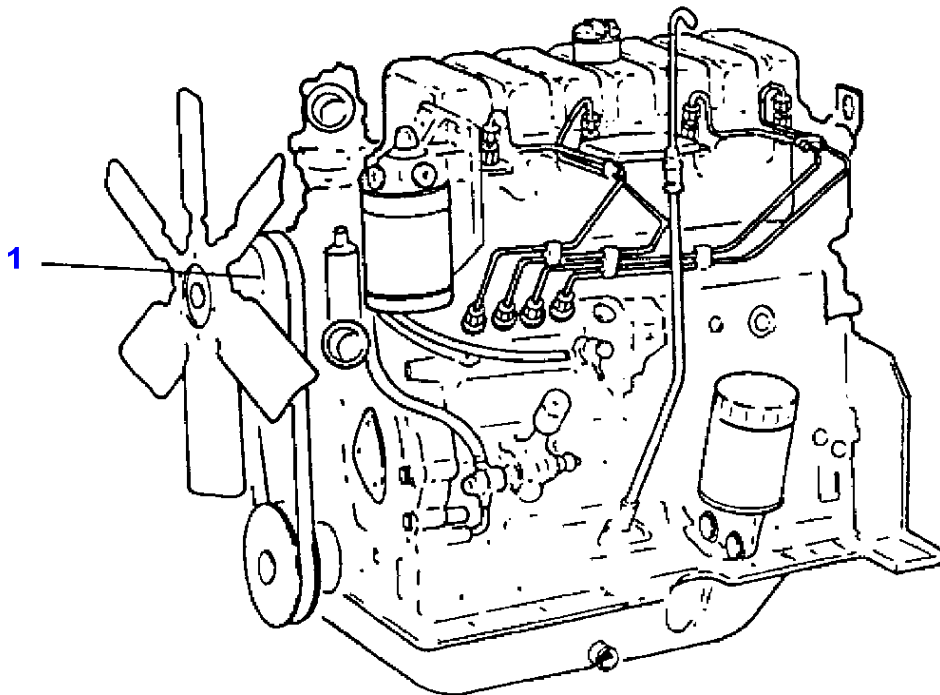


B-0001-077-A



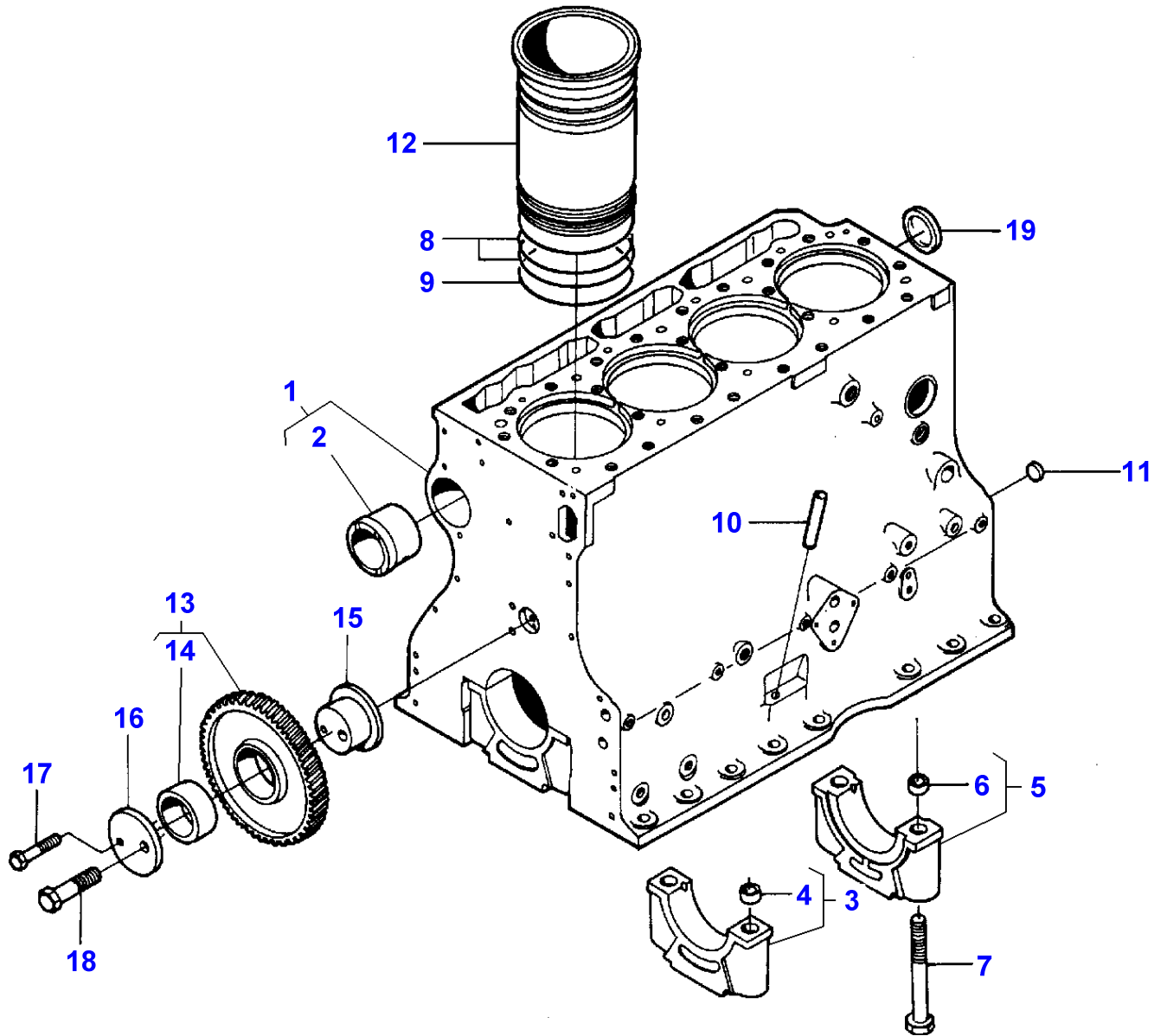
MASSEY FERGUSON**MF 30/31XP/32/34/36/38/40 COMBINE ENGINES, VALMET - 1637219****1637219**

SECTION DIVIDER - ENGINE411DSL

26

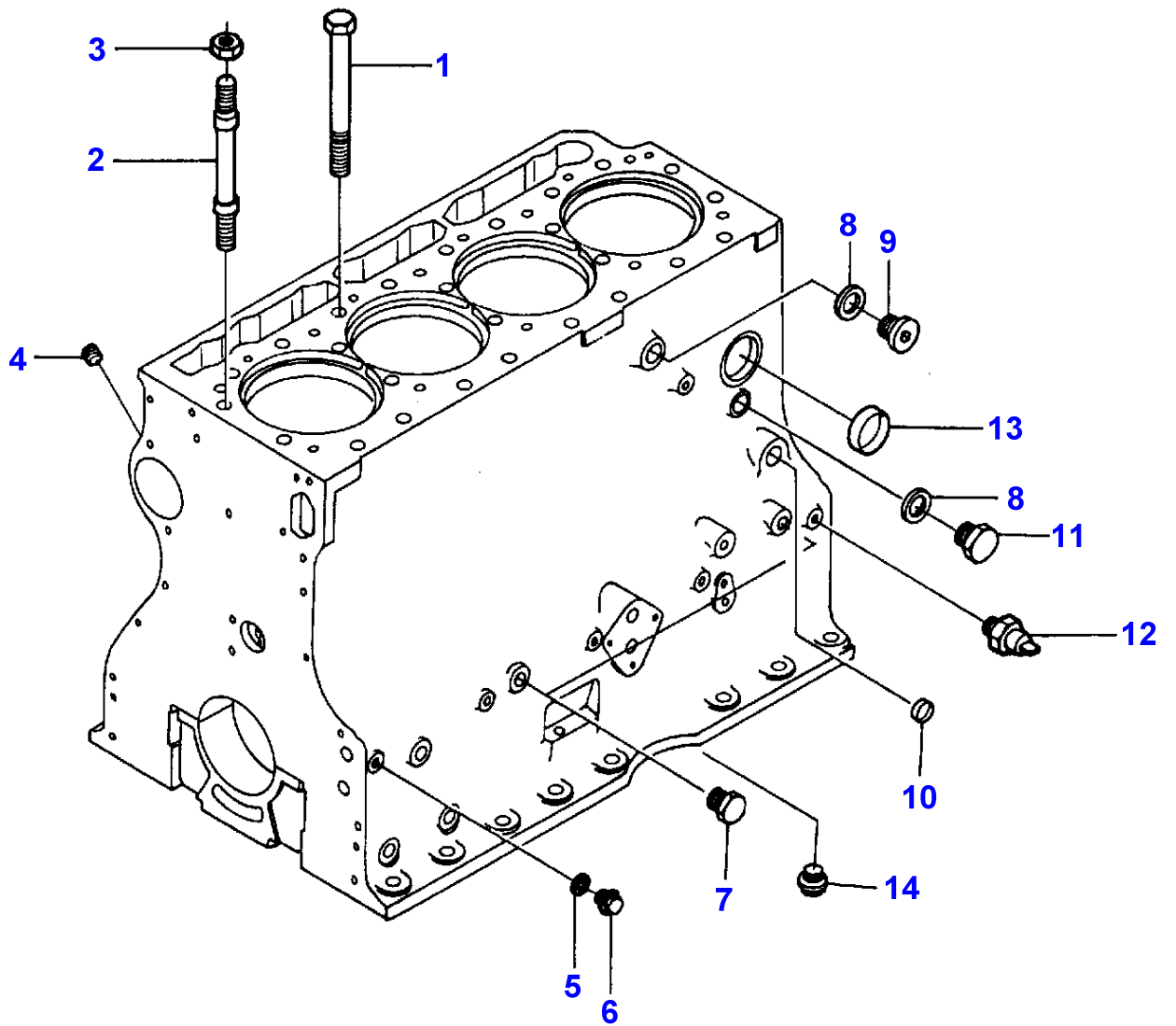
Item	Qty	Description	Comments
			ENGINE411DSL
1	1	Engine	[A] 411DL MF21
			[A] NUMBER TO BE ADVISED

1-HB02-006-A



Item	Part Number	Qty	Description	Comments
				ENGINE 411 DSL
1	V836128099	1	Cylinder Block	
2	V835346889	1	Bush	(1)
3	V836324757	4	Bearing Carrier	(1)
4	V836214478	1	Bush	(3)
5	V836324756	1	Bearing Carrier	(1)
6	V836214478	2	Bush	(5)
7	V529903180	10	Screw	(1)
8	V835322233	8	O Ring	
9	V835336903	4	O Ring	
10	V836014334	1	Pipe	
11	V640016016	3	Plug	
12	V835322787	4	Liner	
	V835329829	X	Liner	Thickness 9,08
	V835329830	X	Liner	Thickness 9,13
	V835329831	X	Liner	Thickness 9,23
13	V836129863	1	Gear	(12)
14	V836129844	1	Bush	(13)
15	V836129709	1	Shaft	
16	V836129845	1	Flange	
17	V528801860	1	Screw	
18	V529902680	1	Screw	
19	V836529872	1	Plug	

1-HB02-007-A



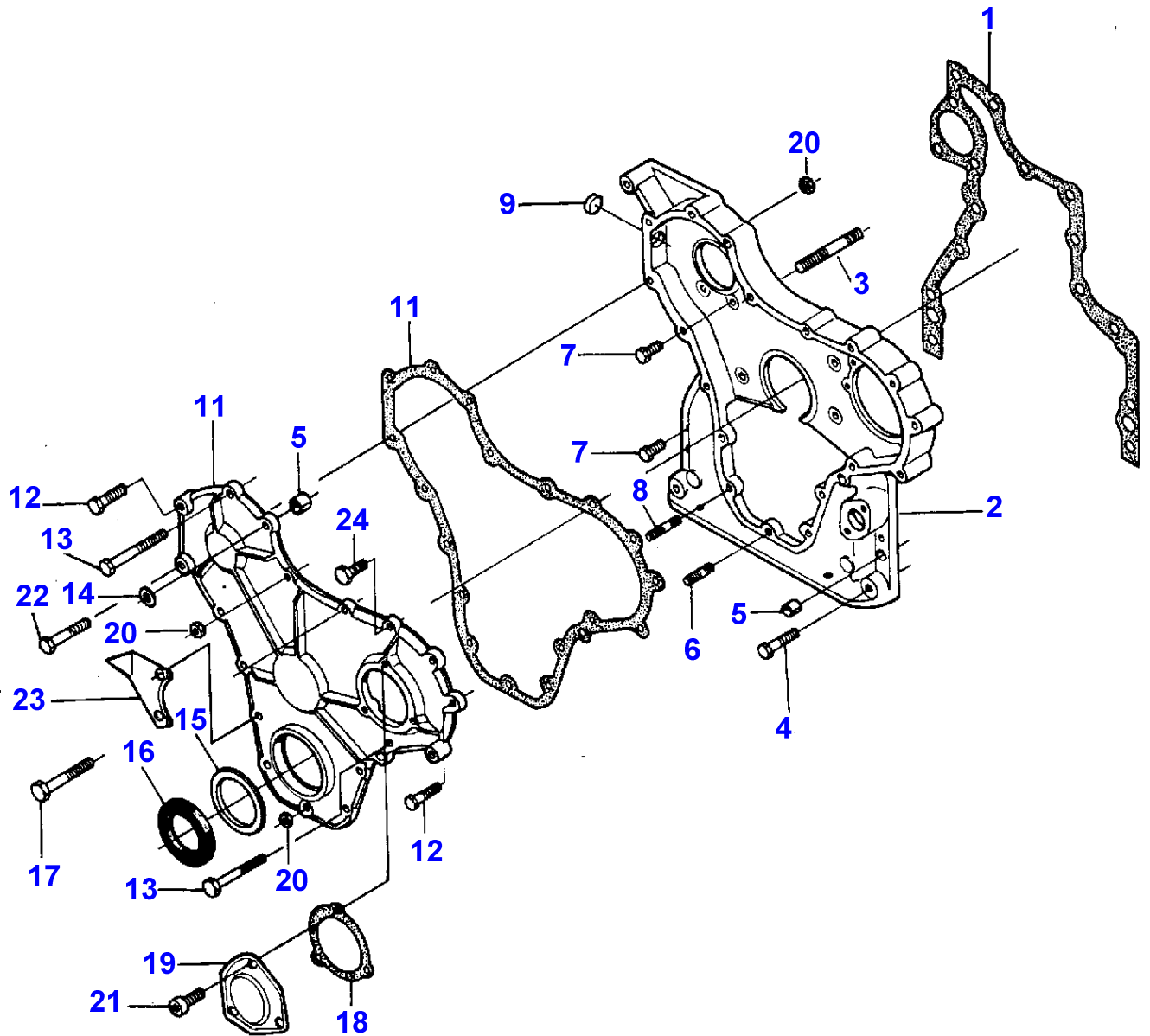
MASSEY FERGUSON**MF 30/31XP/32/34/36/38/40 COMBINE ENGINES, VALMET - 1637219****1637219****CYLINDER BLOCK - EQUIPMENT - ENGINE 411 DSL****28**

Item	Part Number	Qty	Description	Comments
-------------	--------------------	------------	--------------------	-----------------

1	V529902800	24	Screw	
2	V836122992	2	Bush	
3	V836006794	2	Nut	
4	V640025010	1	Plug	
5	V615571014	5	Seal	
6	V640325110	5	Plug	
7	V836119079	2	Plug	
8	V615881822	2	Seal	
9	V640325018	1	Plug	
10	V640016020	1	Plug	
11	V836019756	1	Plug	
12	V887283760	1	Switch	
13	V640016040	1	Plug	
14	V640305012	1	Plug	

EQUIPMENT - ENGINE 411 DSL

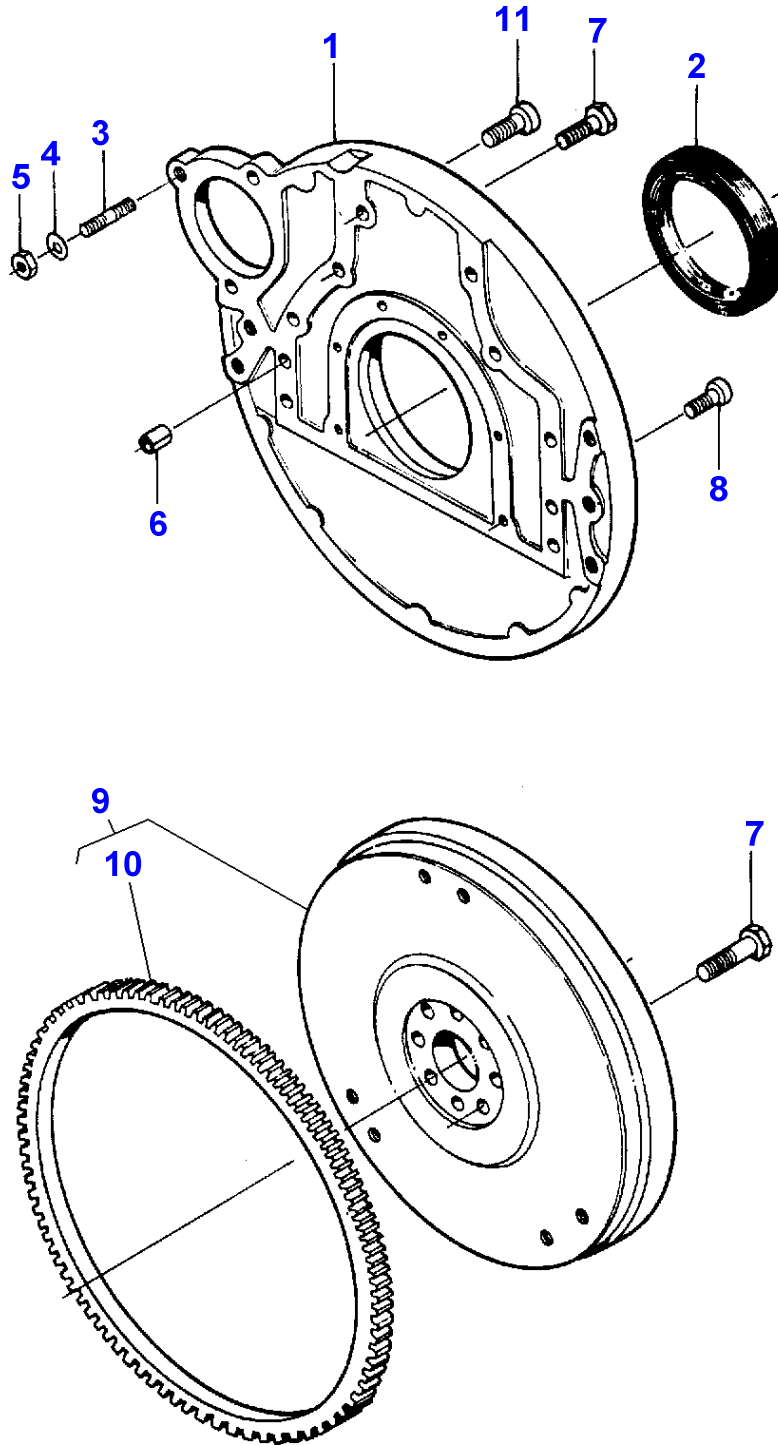
1-HB03-005-A



MASSEY FERGUSON**MF 30/31XP/32/34/36/38/40 COMBINE ENGINES, VALMET - 1637219****1637219****TIMING GEAR HOUSING - ENGINE 411 DSL****29**

Item	Part Number	Qty	Description	Comments
				ENGINE 411 DSL
1	V836112390	1	Gasket	
2	V836147279	1	Housing	
3	V546801470	1	Bolt	
4	V529801440	2	Screw	
5	V598359850	4	Pin	
6	V546801380	4	Stud	
7	V528801400	9	Screw	
8	V546801400	1	Bolt	
9	V640016016	1	Plug	
10	V836129942	1	Gasket	
11	V836129697	1	Cover	
12	V528801420	3	Screw	
13	V529801500	2	Screw	
14	V836120989	1	Washer	
15	V836129782	1	Chock	
16	V614105880	1	Seal	
17	V529801470	2	Screw	
18	V836129946	1	Gasket	
19	V836136717	1	Cover	
20	V504800800	7	Nut	
21	V581804570	3	Screw	
22	V529801480	1	Screw	
23	V836136703	1	Marker	
24	V528801380	3	Screw	

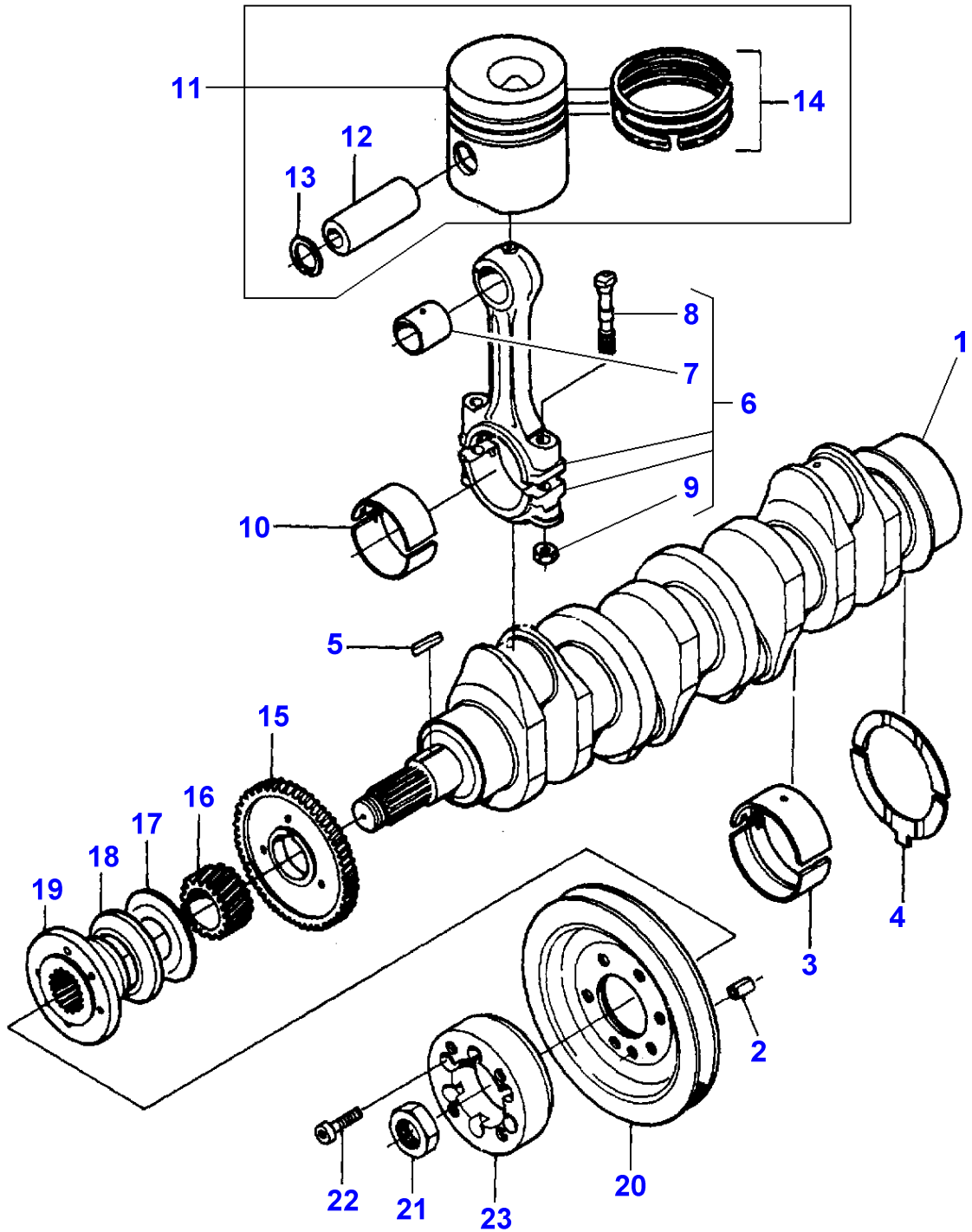
1-HB04-005-A



MASSEY FERGUSON**MF 30/31XP/32/34/36/38/40 COMBINE ENGINES, VALMET - 1637219****1637219****FLYWHEEL HOUSING - ENGINE 411 DSL****30**

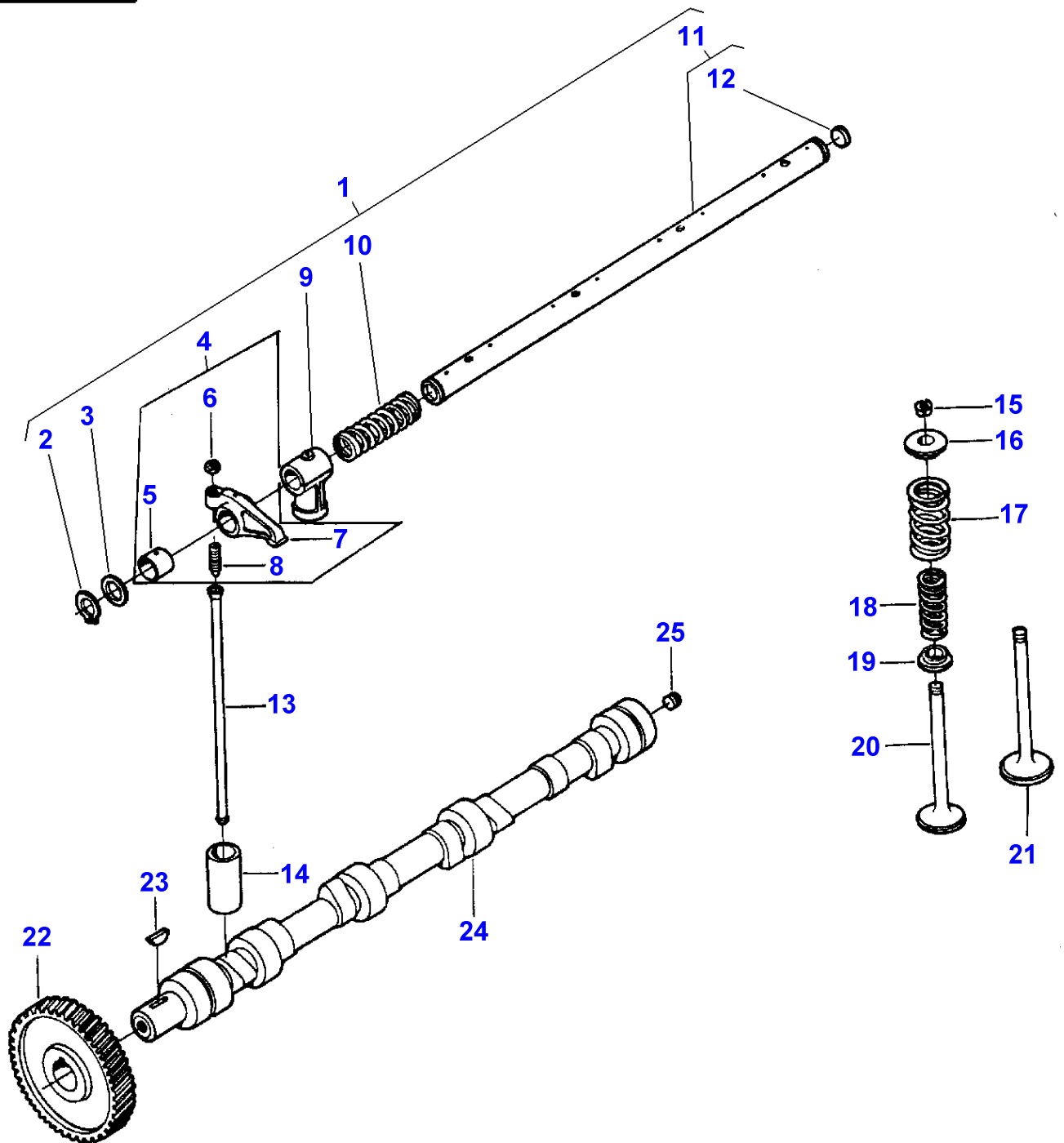
Item	Part Number	Qty	Description	Comments
				ENGINE 411 DSL
1	V836424267	1	Cover	
2	V614500002	1	Seal	
3	V546801800	3	Stud	
4	V500951000	3	Washer	
5	V504801002	3	Nut	
6	V598359850	2	Pin	
7	V528902220	14	Screw	
8	V581705030	6	Screw	
9	V836129238	1	Handwheel	
10	V836117970	1	Annular Gear	(9) Repairs and replaces V836014127
11	V581705440	2	Screw	

1-HB05-005-A



Item	Part Number	Qty	Description	Comments
				ENGINE 411 DSL
1	V836128146	1	Crankshaft	
2	V595953360	1	Pin	
3	V836338653	5	Bearing	
	V836655536	5	Bearing	Thickness 0,25 MM
				Replace and repair. Old not interchangeable with new 3637632M91
3	V836655537	5	Bearing	Thickness 0,50 MM
				Replace and repair. Old not interchangeable with new 3637633M91
3	V836655538	5	Bearing	Thickness 1,00 MM
				Replace and repair. Old not interchangeable with new 3637634M91
3	V836655539	5	Bearing	Thickness 1,50 MM
4	V836119459	2	Chock	Replace and repair. Old not interchangeable with new 3637636M1
	V836120332	2	Thrust Washer	Thickness 0,1 MM
	V836120333	2	Thrust Washer	Thickness 0,2 MM
5	V603345110	1	Key	
6	V836136573	X	Conrod	2190-2210G "H"
	V836136574	X	Conrod	2210-2230G "I"
	V836136575	X	Conrod	2230-2250G "J"
	V836136576	X	Conrod	2250-2270G "K"
	V836136577	X	Conrod	2270-2290G "L"
	V836136578	X	Conrod	2290-2310G "M"
	V836136579	X	Conrod	2310-2330G "N"
	V836136580	X	Conrod	2330-2350G "O"
	V836136581	X	Conrod	2350-2370G "P"
	V836136582	X	Conrod	2370-2390G "R"
	V836136583	X	Conrod	2390-2410G "S"
	V836136584	X	Conrod	2410-2430G "T"
	V836136585	X	Conrod	2430-2450G "U"
	V836136586	X	Conrod	2450-2470G "V"
	V836136587	X	Conrod	2470-2490G "X"
	V836136588	X	Conrod	2490-2510G "Z"
	V836136589	X	Conrod	2510-2530G "A"
	V836136590	X	Conrod	2530-2550G "B"
	V836136591	X	Conrod	2550-2570G "C"
	V836136592	X	Conrod	2570-2590G "D"
	V836136593	X	Conrod	2590-2610G "E"
7	V836110646	4	Bush	(6)
8	V836110553	8	Screw	(6)
9	V836006500	8	Nut	(6)
10	V836110552	4	Bearing	
	V836112762	4	Bearing	Thickness 0,25 MM
	V836112763	4	Bearing	Thickness 0,50 MM
	V836112765	4	Bearing	Thickness 1,00 MM
	V836112767	4	Bearing	Thickness 1,50 MM
11	V835316177	4	Piston	
12	V836112738	4	Pin	(11)
13	V617330040	8	Clip	(11)
14	V836339201	4	Kit, Piston Ring	(11)
15	V836120019	1	Gear	
16	V836122840	1	Pinion	
17	V836129781	1	Slinger	
18	V836136271	1	Bush	
19	V836120848	1	Hub	
20	V836655449	1	Pulley	
21	V836120098	1	Nut	
22	V581804630	6	Screw	
23	V836136714	1	Flange	

1-HB06-005-A



MASSEY FERGUSON**MF 30/31XP/32/34/36/38/40 COMBINE ENGINES, VALMET - 1637219**

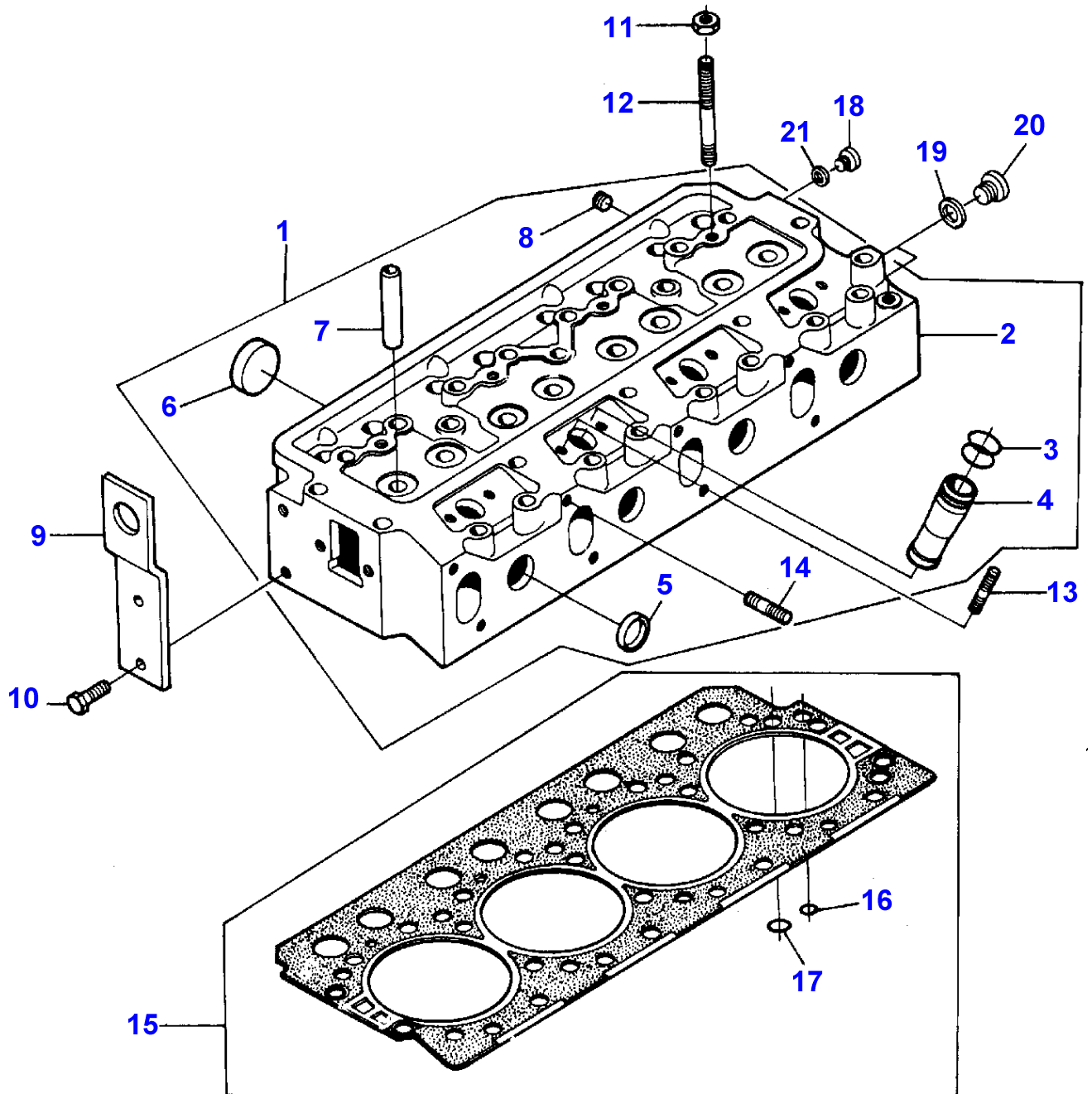
1637219

VALVE MECHANISM - ENGINE 411 DSL

32

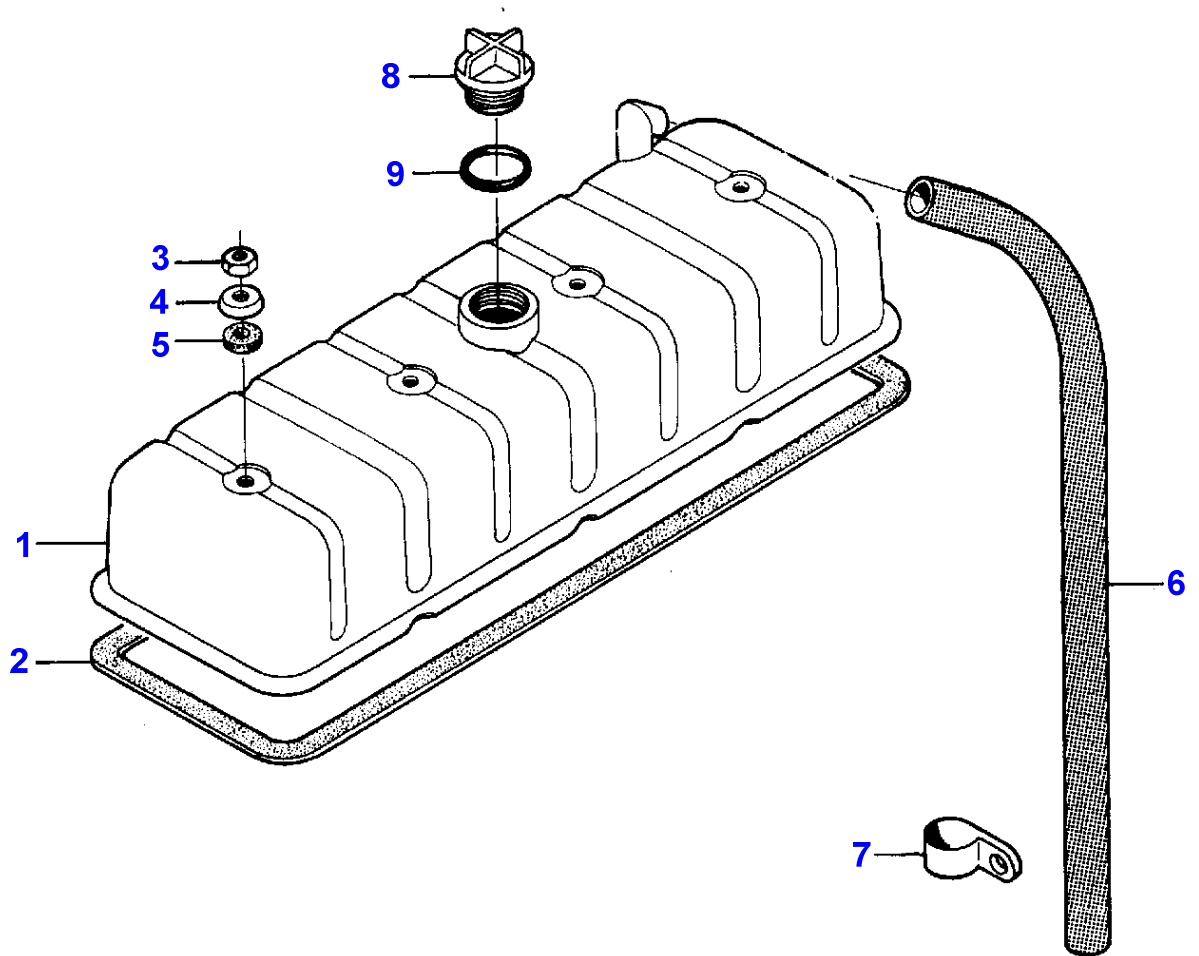
Item	Part Number	Qty	Description	Comments
				ENGINE 411 DSL
1	V836112305	1	Rocker Shaft	
2	V617300020	2	Clip	(1)
3	V836006581	2	Washer	(1)
4	V835328363	8	Rocker	(1)
5	V836006586	8	Bush	(4)
6	V504800800	8	Nut	(4)
7		8	Rockerarm	(4)
				Not serviced, order REF NO 4
8	V836010106	8	Screw	(4)
9	V836006580	4	Bracket	(1)
10	V836006582	3	Spring	(1)
11	V836119870	1	Shaft	(1)
12	V640016014	2	Plug	(11)
13	V836110237	8	Rod	
14	V836014264	8	Tappet	
15	V836006578	16	Cotter	
16	V836006577	8	Cup	
17	V836117910	8	Spring	
18	V836006574	8	Spring	
19	V836006579	8	Washer	
20	V836117564	4	Valve	
21	V836110153	4	Valve	
22	V836129842	1	Gear	
23	V603305760	1	Key	
24	V836128149	1	Camshaft	
25	V640025010	2	Plug	

1-HB07-005-A



Item	Part Number	Qty	Description	Comments
				ENGINE 411 DSL
1	V836128122	1	Cylinder Head	
2		1	Cylinder Head	(1) Not serviced, order REF NO 1
3	V614602415	8	O Ring	(1)
4	V836022081	4	Sleeve	(1)
5	V640016036	4	Plug	(1)
6	V640016040	3	Plug	(1)
7	V836136051	8	Guide	(1)
8	V640025012	4	Plug	(1)
9	V836424284	2	Plate	
10	V528801780	4	Screw	
11	V504801002	4	Nut	
12	V836128380	4	Stud	
13	V546901435	8	Stud	
14	V546801800	8	Stud	
15	V836128125	1	Gasket	
16	V614701120	1	O Ring	(15)
17	V614601316	1	O Ring	(15)
18	V640325110	1	Plug	
19	V615881822	2	Seal	
20	V640325018	2	Plug	
21	V615571014	1	Seal	

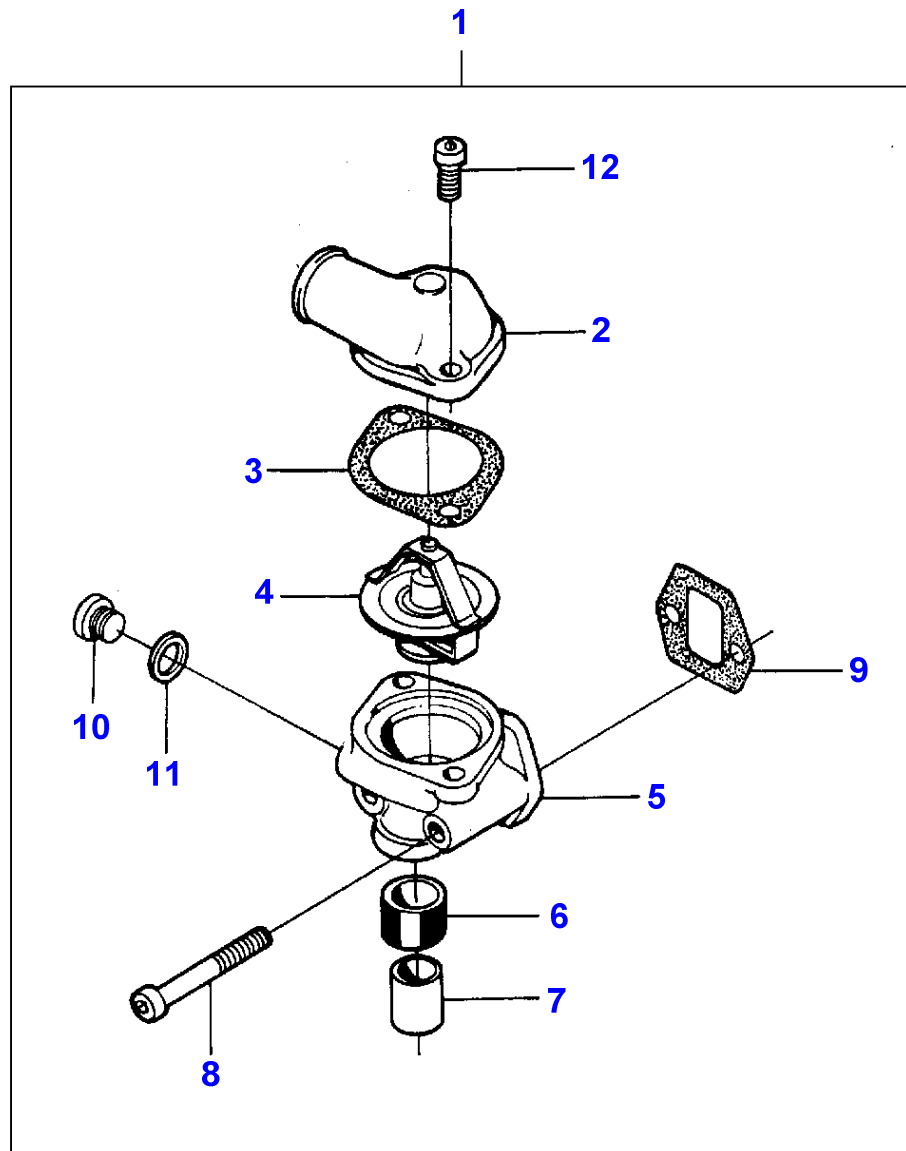
1-HB08-004-A



MASSEY FERGUSON**MF 30/31XP/32/34/36/38/40 COMBINE ENGINES, VALMET - 1637219****1637219****CYLINDER HEAD COVER - ENGINE 411 DSL****34**

Item	Part Number	Qty	Description	Comments
				ENGINE 411 DSL
1	V836138785	1	Valve Cover	
2	V836128134	1	Gasket	
3	V504801002	4	Nut	
4	V836119855	4	Washer	
5	V836012841	4	Gasket	
6	V836136704	1	Hose	
7	V602075528	1	Clamp	
8	V836017927	1	Plug	
9	V614603540	1	O Ring	

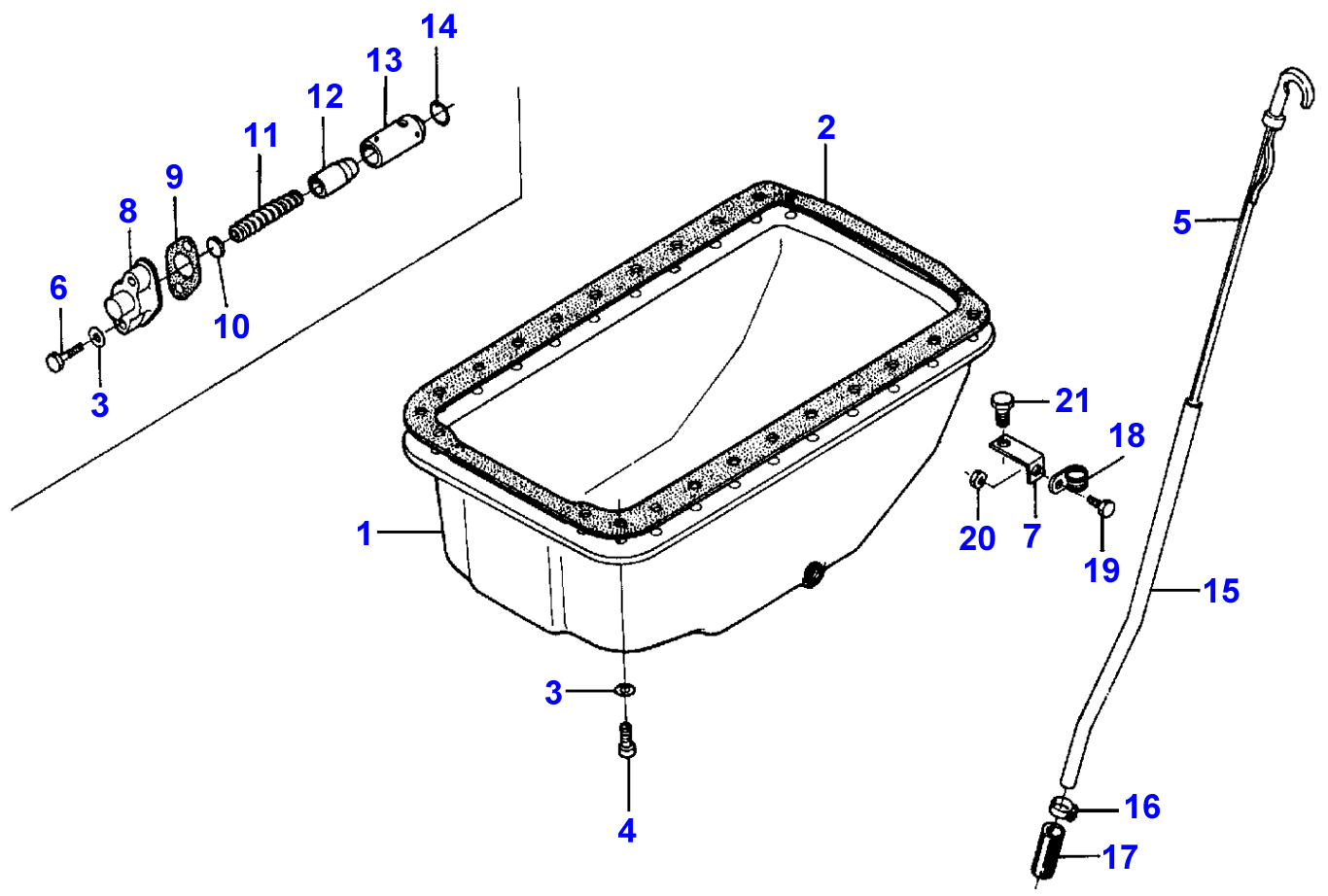
1-HB09-004-A



THERMOSTAT - ENGINE 411 DSL

Item	Part Number	Qty	Description	Comments
				ENGINE 411 DSL
1	V836115718	1	Thermostat	
2	V836120111	1	Connection	(1)
3	V836119849	1	Gasket	(1)
4	V836115646	1	Thermostat	(1)
5	V835324513	1	Housing	(1)
6	V836119833	1	Seal	(1)
7	V836119834	1	Pipe	(1)
8	V581705130	2	Screw	(1)
9	V835324219	1	Gasket	(1)
10	V640325014	1	Plug	(1)
11	V615881418	1	Seal	(1)
12	V581805020	2	Screw	(1)

1-HB10-004-A



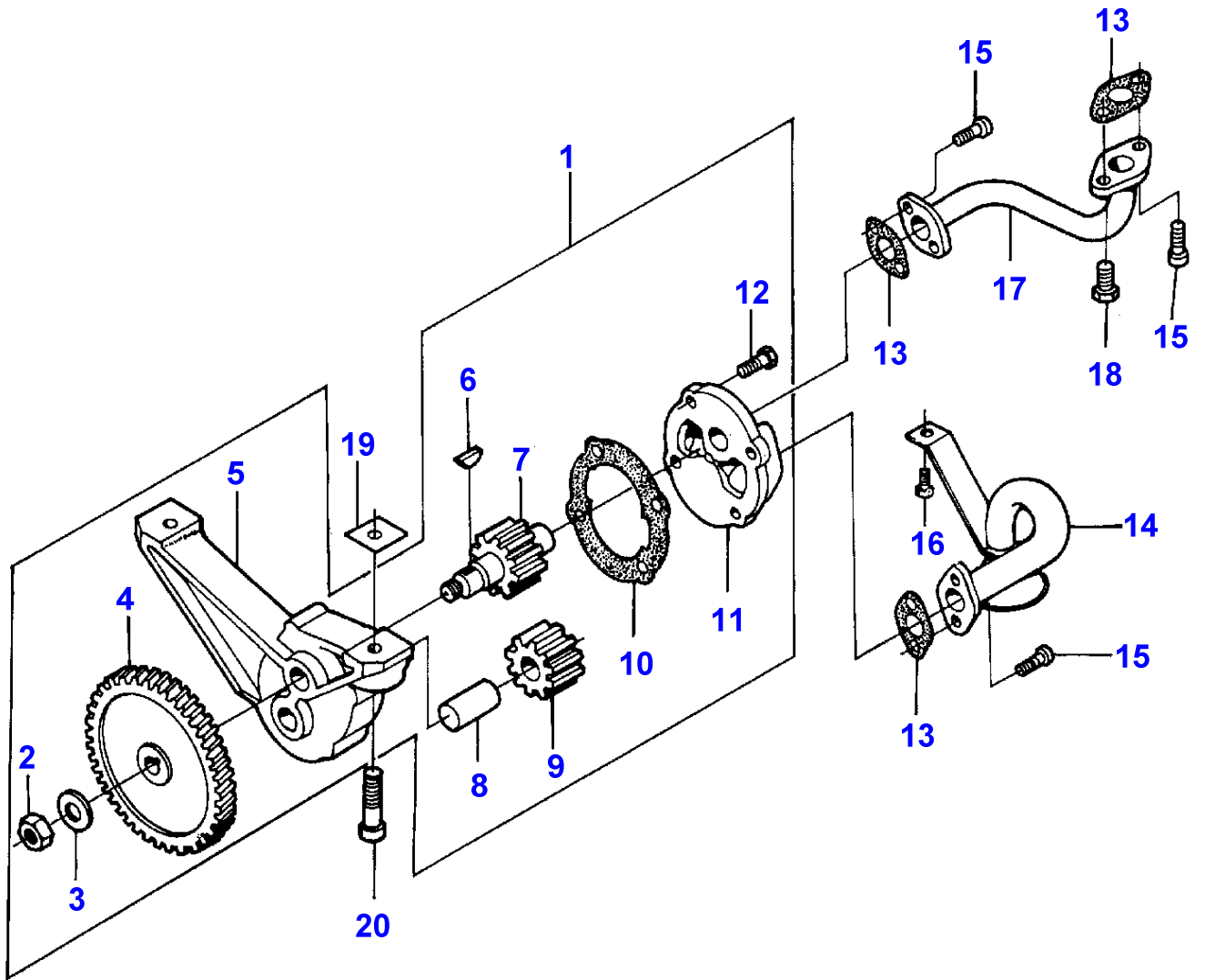
MASSEY FERGUSON**MF 30/31XP/32/34/36/38/40 COMBINE ENGINES, VALMET - 1637219**

1637219

LUBRICATING OIL SUMP - ENGINE 411 DSL**36**

Item	Part Number	Qty	Description	Comments
				ENGINE 411 DSL
1	V836128794	1	Sump	
2	V836107726	1	Gasket	
3	V500950800	24	Washer	
4	V581804580	22	Screw	
5	V836120500	1	Oil Dipstick	
6	V528801420	2	Screw	
7	V836124182	1	Support	
8	V836129849	1	Cover	
9	V836322190	1	Gasket	
10	V836020290	1	Washer	
11	V836117836	1	Spring	
12	V836338850	1	Piston	
13	V836117834	1	Cylinder	
14	V614601524	1	O Ring	
15	V836120501	1	Pipe	
16	V602063617	2	Clamp	
17	V836119994	1	Hose	
18	V602060612	2	Clamp	
19	V528801360	1	Screw	
20	V504800800	1	Nut	
21	V528801760	1	Screw	

1-HB11-005-A



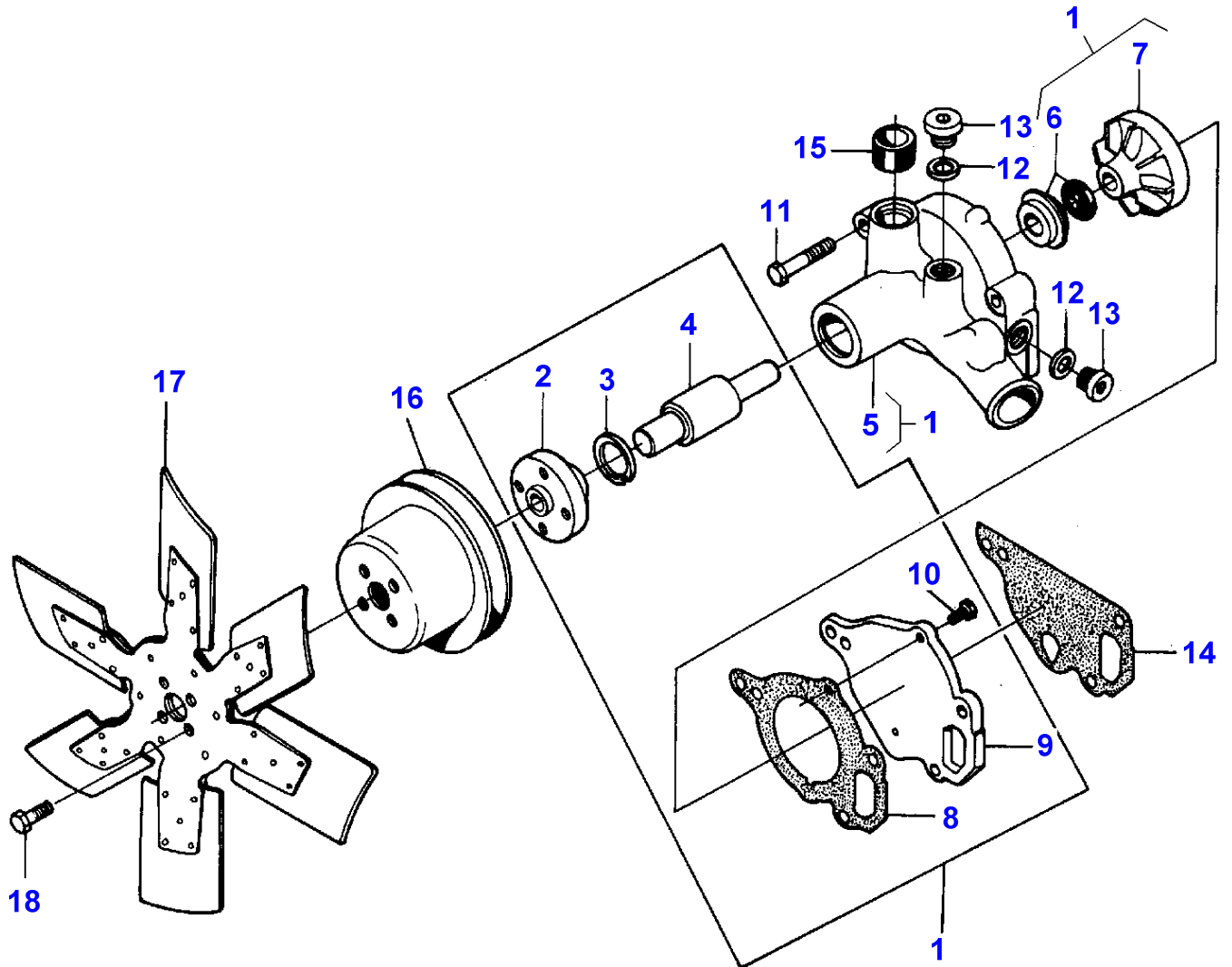
MASSEY FERGUSON**MF 30/31XP/32/34/36/38/40 COMBINE ENGINES, VALMET - 1637219**

1637219

LUBRICATING OIL PUMP - ENGINE 411 DSL**37**

Item	Part Number	Qty	Description	Comments
				ENGINE 411 DSL
1	V836652604	1	Oil Pump	
2	V504861000	1	Nut	(1)
3	V836122910	1	Washer	(1)
4	V836110163	1	Gear	(1)
4	V836652596	1	Gear	Up to Serial or Engine Number C 3475 (1) From Serial or Engine Number C 3476
5	V836120195	1	Housing	(1)
6	V603305530	1	Key	(1)
7	V836120194	1	Gear	Up to Serial or Engine Number C 3475 (1)
7	V836652600	1	Gear	Up to Serial or Engine Number C3475 (1) From Serial or Engine Number C 3476
8	V836120191	1	Shaft	(1)
9	V836120193	1	Gear	(1)
10	V836119796	1	Gasket	(1)
11	V836119794	1	Cover	(1)
12	V528801380	4	Screw	(1)
13	V836008449	3	Gasket	
14	V836128828	1	Pipe	
15	V581804600	5	Screw	
16	V528801360	1	Screw	
17	V836120188	1	Pipe	
18	V528801780	1	Screw	
19	V836007871	X	Shim	
20	V581705050	2	Screw	

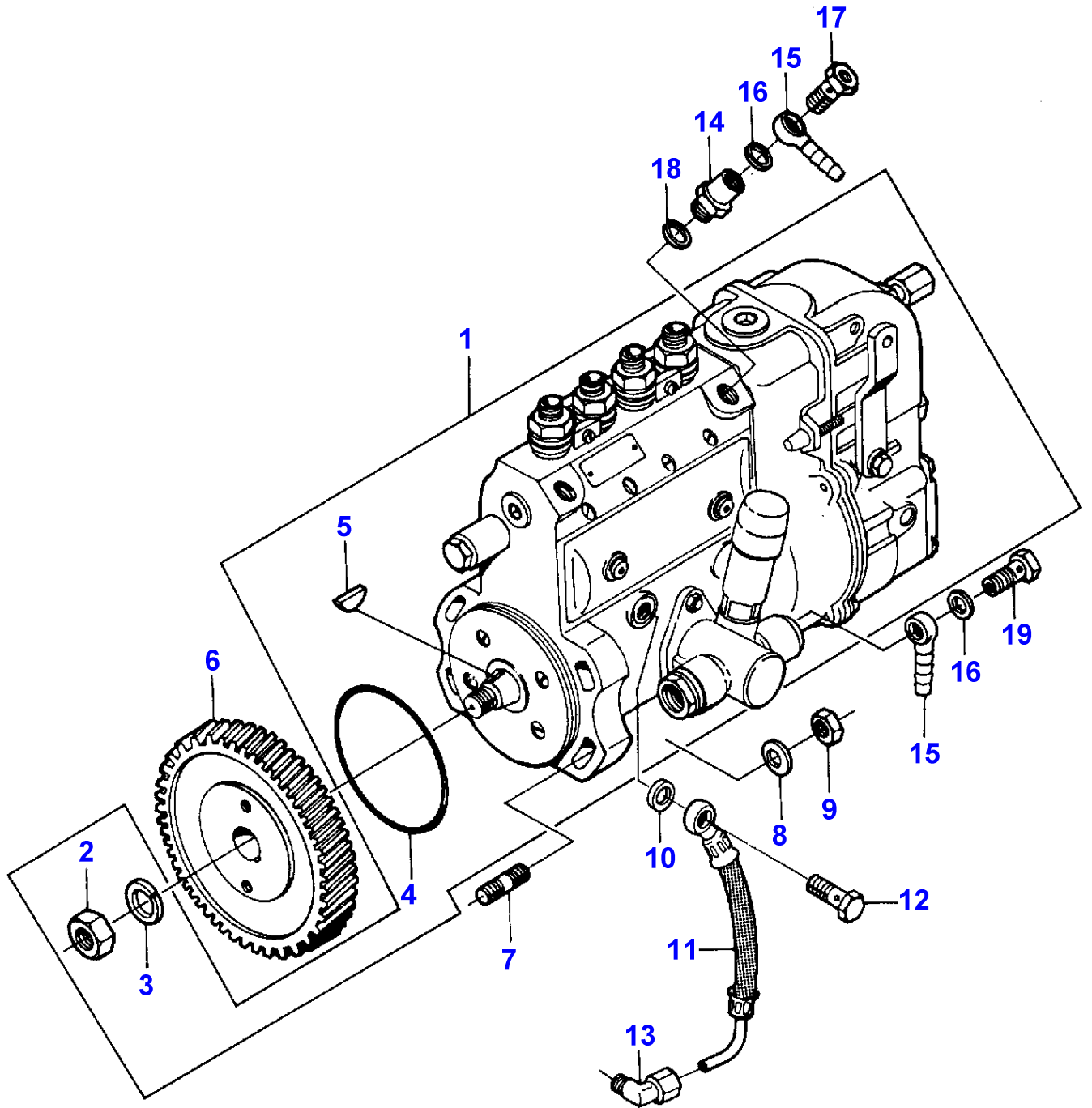
1-HB13-005-A



WATER PUMP - ENGINE 411 DSL

Item	Part Number	Qty	Description	Comments
				ENGINE 411 DSL
1	V836136220	1	Water Pump	
2	V836129680	1	Hub	(1)
3	V617330038	1	Circlip	(1)
4	V835330994	1	Shaft	(1)
5	V836129916	1	Housing	(1)
6	V835331202	1	Seal	(1)
7	V836120933	1	Impeller	(1)
8	V836120128	1	Gasket	(1)
9	V836120109	1	Plate	(1)
10	V528801062	1	Screw	(1)
11	V529801460	3	Screw	
12	V615881822	3	Seal	
13	V640325018	3	Plug	
14	V836120129	1	Gasket	
15	V836119833	1	Seal	
16	V836136210	1	Pulley	
17	V836119431	1	Fan	
18	V528801380	4	Screw	
19	V835331372	1	Kit, Repair	

1-HB14-005-A



MASSEY FERGUSON**MF 30/31XP/32/34/36/38/40 COMBINE ENGINES, VALMET - 1637219**

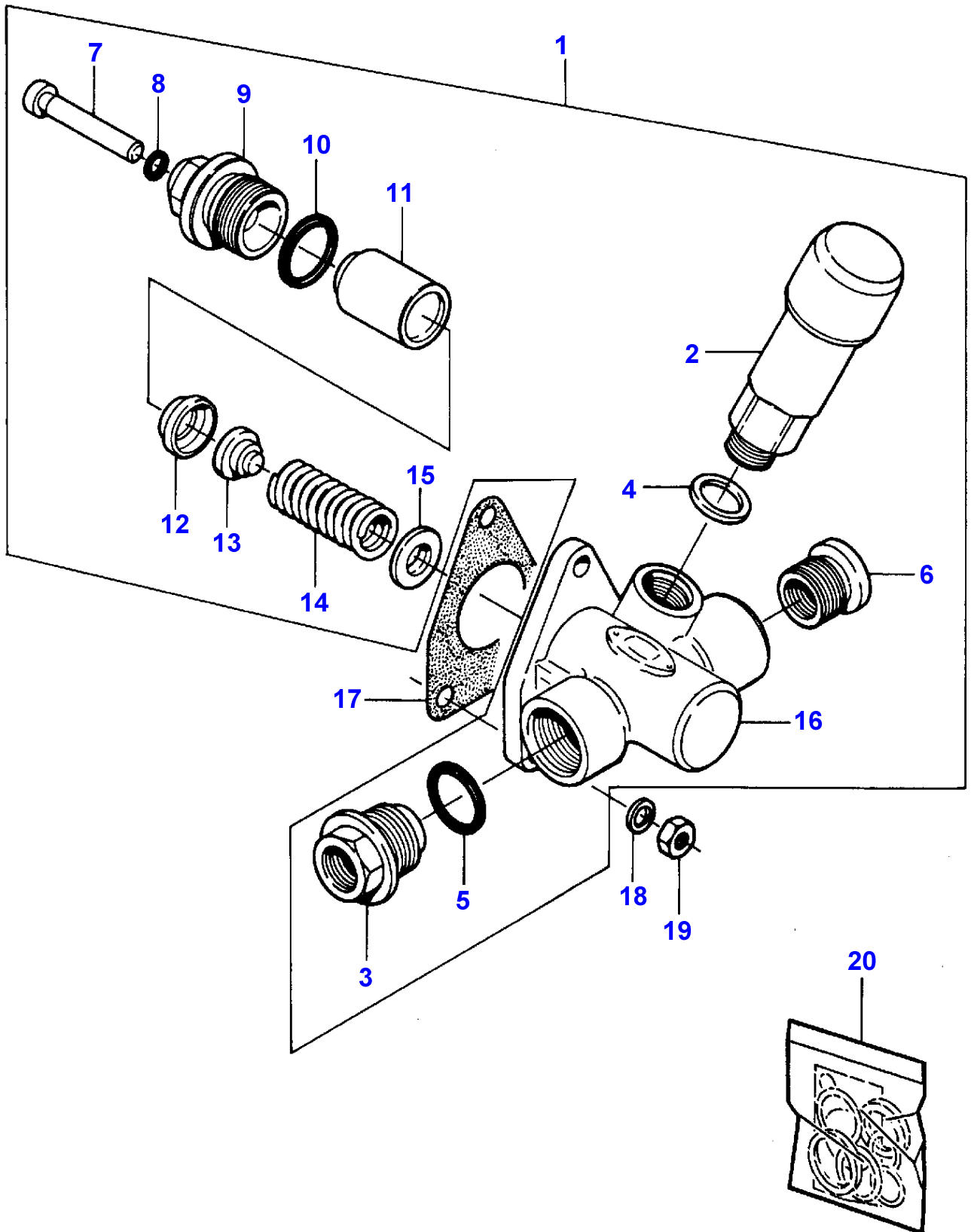
1637219

INJECTION PUMP - ENGINE 411 DSL

39

Item	Part Number	Qty	Description	Comments
				ENGINE 411 DSL
1	V836131172	1	Injection Pump	4.202
2	V504611400	1	Nut	(1)
3	V500451402	1	Washer	(1)
				Repairs and replaces V500451400
4	V614607930	1	O Ring	(1)
5	V603305540	1	Key	(1)
6	V836129843	1	Gear	Up to Serial or Engine Number G3650
	V836659290	1	Gear	From Serial or Engine Number G3651
7	V546801815	4	Stud	
8	V500151050	4	Washer	
9	V504801002	4	Nut	
10	V615571014	2	Seal	
11	V836136381	1	Hydr Hose	
12	V640435006	1	Screw	
13	V641166006	1	Elbow Nipple	
14	V836330959	1	Valve	
15	V640255209	2	Hydr.Hose Assy.	
16	V615881418	4	Seal	
17	V836336944	1	Screw	
18	V615881420	1	Gasket	
19	V640435010	1	Screw	

1-HB15-007-A



MASSEY FERGUSON**MF 30/31XP/32/34/36/38/40 COMBINE ENGINES, VALMET - 1637219**

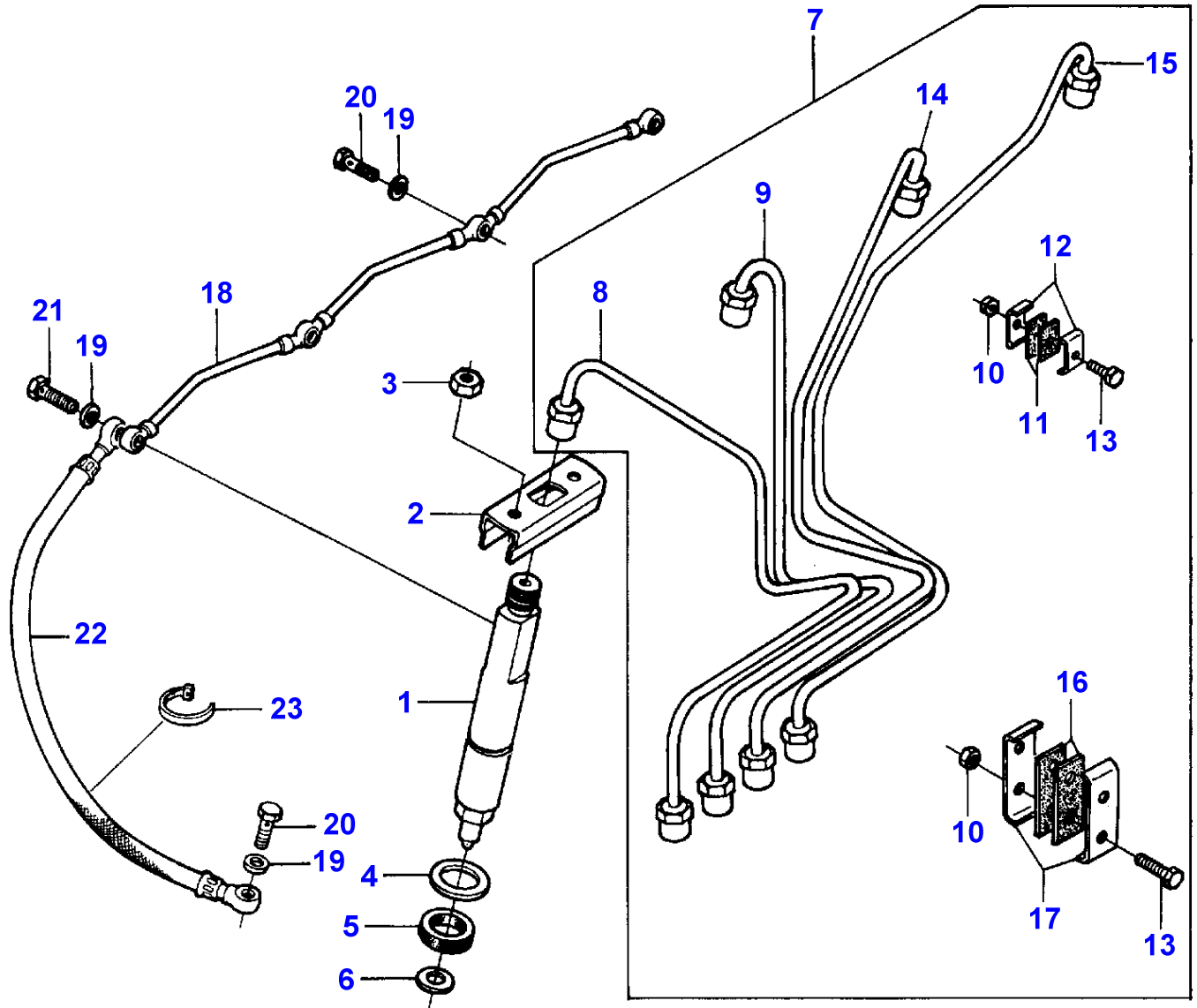
1637219

PUMP - ENGINE 411 DSL

40

Item	Part Number	Qty	Description	Comments
				ENGINE 411 DSL
1	V835340017	1	Pump	
2	V835339884	1	Pump	(1)
3	V835340020	1	Union	(1)
4	V615881620	1	Seal	(1)
5	V835340021	1	O Ring	(1)
6	V835340019	1	Union	(1)
7	V835339874	1	Pin	(1)
8	V836139015	1	O Ring	(1)
9	V835339875	1	Body	(1)
10	V835339876	1	O Ring	(1)
11	V835339877	1	Plunger	(1)
12	V835339882	1	Gasket	(1)
13	V835339880	2	Pressure Valve	(1)
14	V835339878	1	Spring	(1)
15	V835339879	2	Washer	(1)
16	V835340018	1	Housing	(1)
17	V836329194	1	Gasket	
18	V500450602	3	Washer	
19	V504600602	3	Nut	
20	V836640099	1	Kit, Repair	

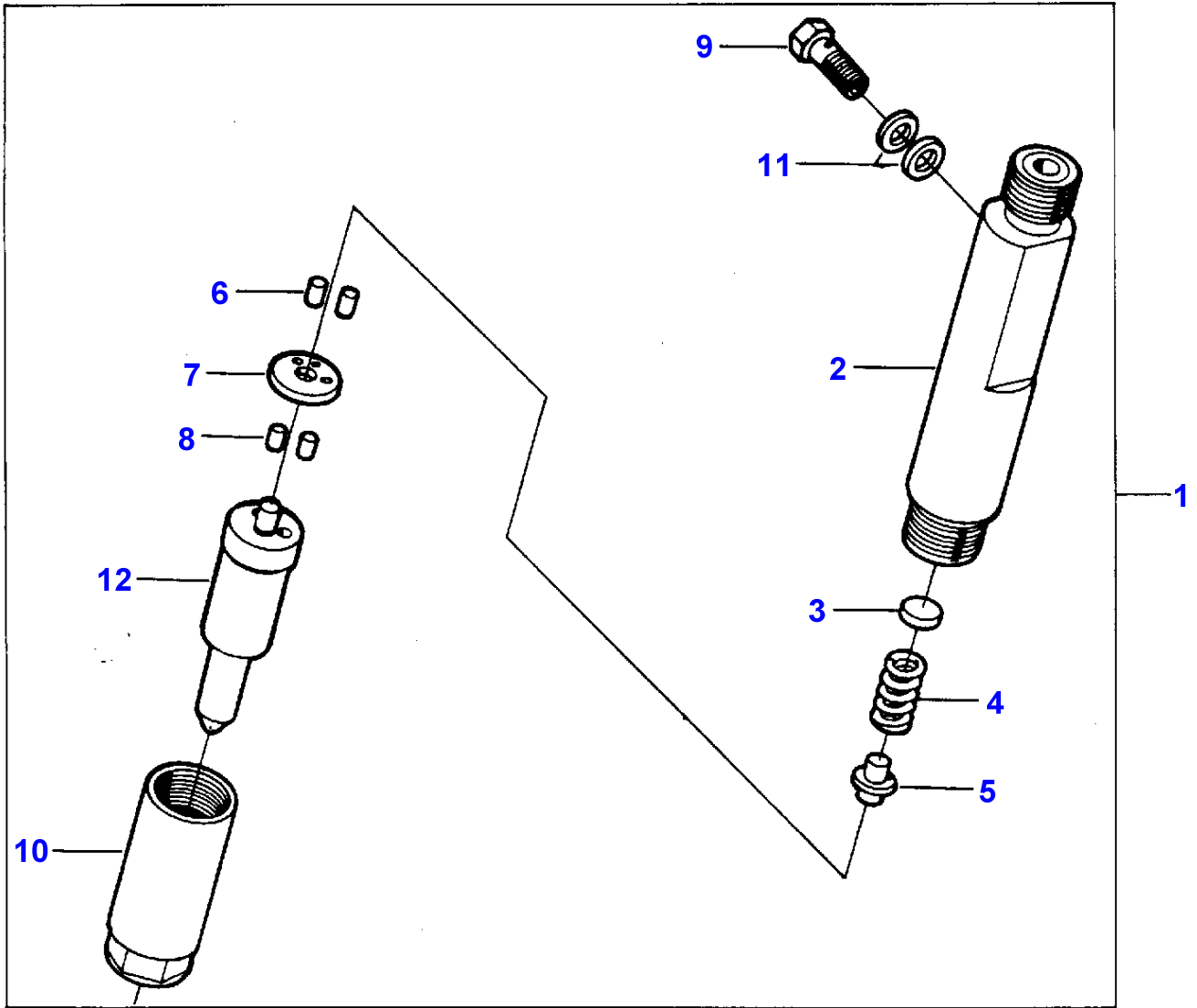
1-HB16-004-A



FUEL PIPINGS - ENGINE 411 DSL

Item	Part Number	Qty	Description	Comments
				ENGINE 411 DSL
1	V835331100	4	Atomiser	
2	V835331103	4	Retainer	
3	V504800800	8	Nut	
4	V835336275	4	Washer	
5	V835336276	4	Seal	
6	V899901495	4	Washer	
7	V836136540	1	Kit, Connection	
8	V836136376	1	Fuel Pipe	(7) NO. 1
9	V836136377	1	Fuel Pipe	(7) NO. 2
10	V504600502	6	Nut	(7) Repairs and replaces V504600500
11	V836324442	4	Spacer	(7)
12	V836324445	4	Clamp	(7)
13	V528800802	6	Screw	(7) Repairs and replaces V528800800
14	V836136378	1	Fuel Pipe	(7) NO. 3
15	V836136379	1	Connection	(7) NO. 4
16	V836324443	4	Rubber Strap	(7)
17	V836324446	4	Holding Fixture	(7)
18	V836136947	1	Connection	
19	V615870610	9	Seal	
20	V835331289	4	Screw	
21	V835336943	1	Screw	
22	V835336942	1	Tube	
23	V835329746	1	Clamp	

1-HB17-004-A

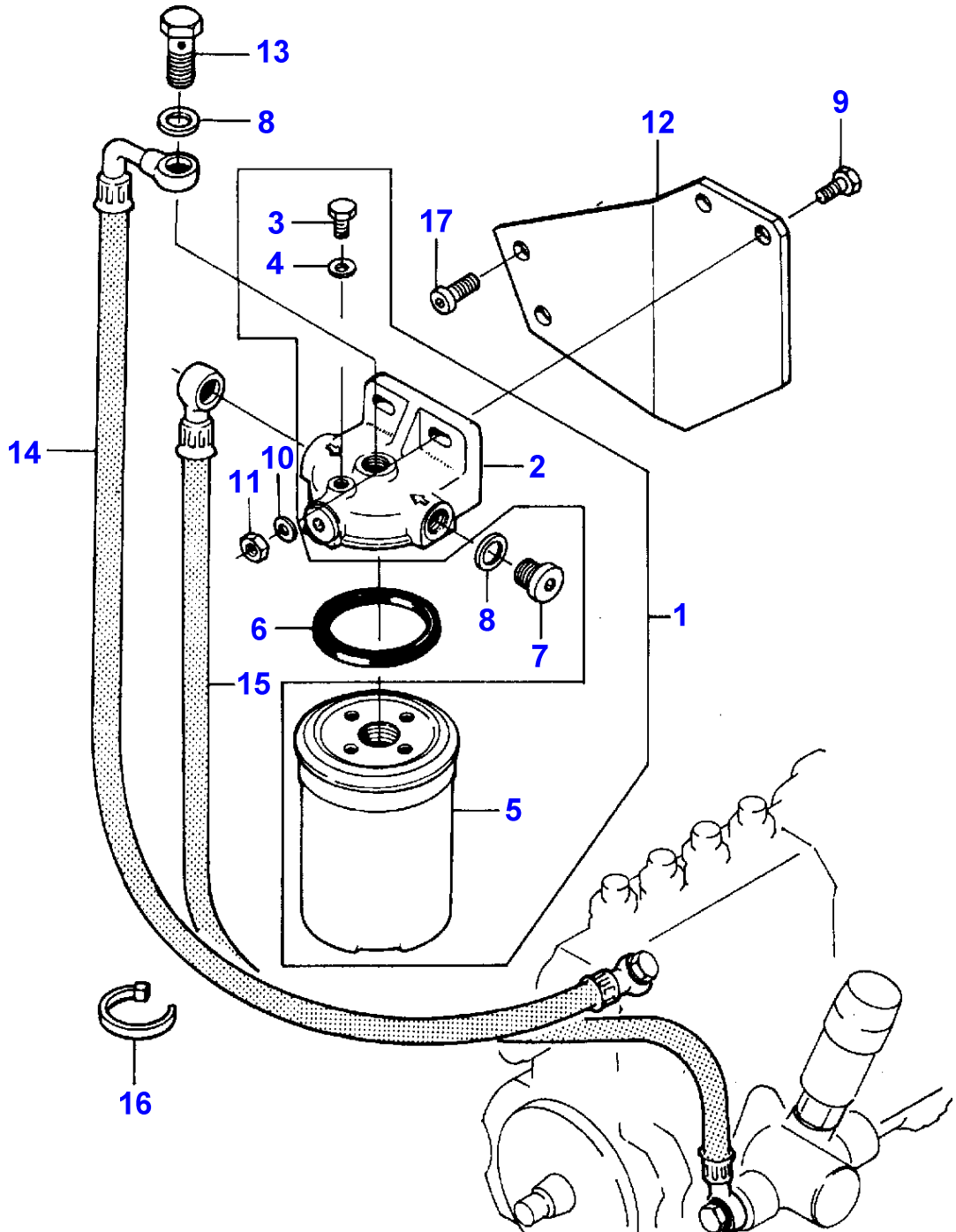


Item	Part Number	Qty	Description	Comments
				ENGINE 411 DSL
1	V835331100	1	Atomiser	
2	V835331100	1	Atomiser	(1)
3	V835339235	X	Shim	(2)
				Thickness 1.00MM
3	V835339236	X	Shim	(2)
				Thickness 1.02MM
3	V835339237	X	Shim	(2)
				Thickness 1.04MM
3	V835339238	X	Shim	(2)
				Thickness 1.06MM
3	V835339239	X	Shim	(2)
				Thickness 1.08MM
3	V835339240	X	Shim	(2)
				Thickness 1.10MM
3	V835339241	X	Shim	(2)
				Thickness 1.12MM
3	V835339242	X	Shim	(2)
				Thickness 1.14MM
3	V835339243	X	Shim	(2)
				Thickness 1.16MM
3	V835339244	X	Shim	(2)
				Thickness 1.18MM
3	V835339245	X	Shim	(2)
				Thickness 1.20MM
3	V835339246	X	Shim	(2)
				Thickness 1.22MM
3	V835339247	X	Shim	(2)
				Thickness 1.24MM
3	V835339248	X	Shim	(2)
				Thickness 1.26MM
3	V835339249	X	Shim	(2)
				Thickness 1.28MM
3	V835339250	X	Shim	(2)
				Thickness 1.30MM
3	V835339251	X	Shim	(2)
				Thickness 1.32MM
3	V835339252	X	Shim	(2)
				Thickness 1.34MM
3	V835339253	X	Shim	(2)
				Thickness 1.36MM
3	V835339254	X	Shim	(2)
				Thickness 1.38MM
3	V835339255	X	Shim	(2)
				Thickness 1.40MM
3	V835339256	X	Shim	(2)
				Thickness 1.42MM
3	V835339257	X	Shim	(2)
				Thickness 1.44MM
3	V835339258	X	Shim	(2)
				Thickness 1.46MM
3	V835339259	X	Shim	(2)
				Thickness 1.48MM
3	V835339260	X	Shim	(2)
				Thickness 1.50MM
3	V835339261	X	Shim	(2)
				Thickness 1.52MM
3	V835339262	X	Shim	(2)
				Thickness 1.54MM
3	V835339263	X	Shim	(2)
				Thickness 1.56MM
3	V835339264	X	Shim	(2)
				Thickness 1.58MM
3	V835339265	X	Shim	(2)
				Thickness 1.60MM
3	V835339266	X	Shim	(2)
				Thickness 1.62MM
3	V835339267	X	Shim	(2)
				Thickness 1.64MM

INJECTOR - ENGINE 411 DSL

Item	Part Number	Qty	Description	Comments
3	V835339268	X	Shim	(2) Thickness 1.66MM
3	V835339269	X	Shim	(2) Thickness 1.68MM
3	V835339270	X	Shim	(2) Thickness 1.70MM
3	V835339271	X	Shim	(2) Thickness 1.72MM
3	V835339272	X	Shim	(2) Thickness 1.74MM
3	V835339273	X	Shim	(2) Thickness 1.76MM
3	V835339274	X	Shim	(2) Thickness 1.78MM
3	V835339275	X	Shim	(2) Thickness 1.80MM
3	V835339276	X	Shim	(2) Thickness 1.82MM
3	V835339277	X	Shim	(2) Thickness 1.84MM
3	V835339278	X	Shim	(2) Thickness 1.86MM
3	V835339279	X	Shim	(2) Thickness 1.88MM
3	V835339280	X	Shim	(2) Thickness 1.90MM
3	V835339281	X	Shim	(2) Thickness 1.92MM
3	V835339282	X	Shim	(2) Thickness 1.94MM
3	V835339283	X	Shim	(2) Thickness 1.96MM
3	V835339284	X	Shim	(2) Thickness 1.98MM
4	V835331283	1	Spring	(2)
5	V835331284	1	Pin	(2)
6	V835331286	2	Clevis Pin	(2)
7	V835331285	1	Distance Piece	(2)
8	V835331287	2	Clevis Pin	(2)
9	V835331289	1	Screw	(2)
10	V835331288	1	Body	(2)
11	V615870610	2	Seal	(2)
12	V835331101	1	Nozzle	(1)

1-HB18-006-B



MASSEY FERGUSON**MF 30/31XP/32/34/36/38/40 COMBINE ENGINES, VALMET - 1637219**

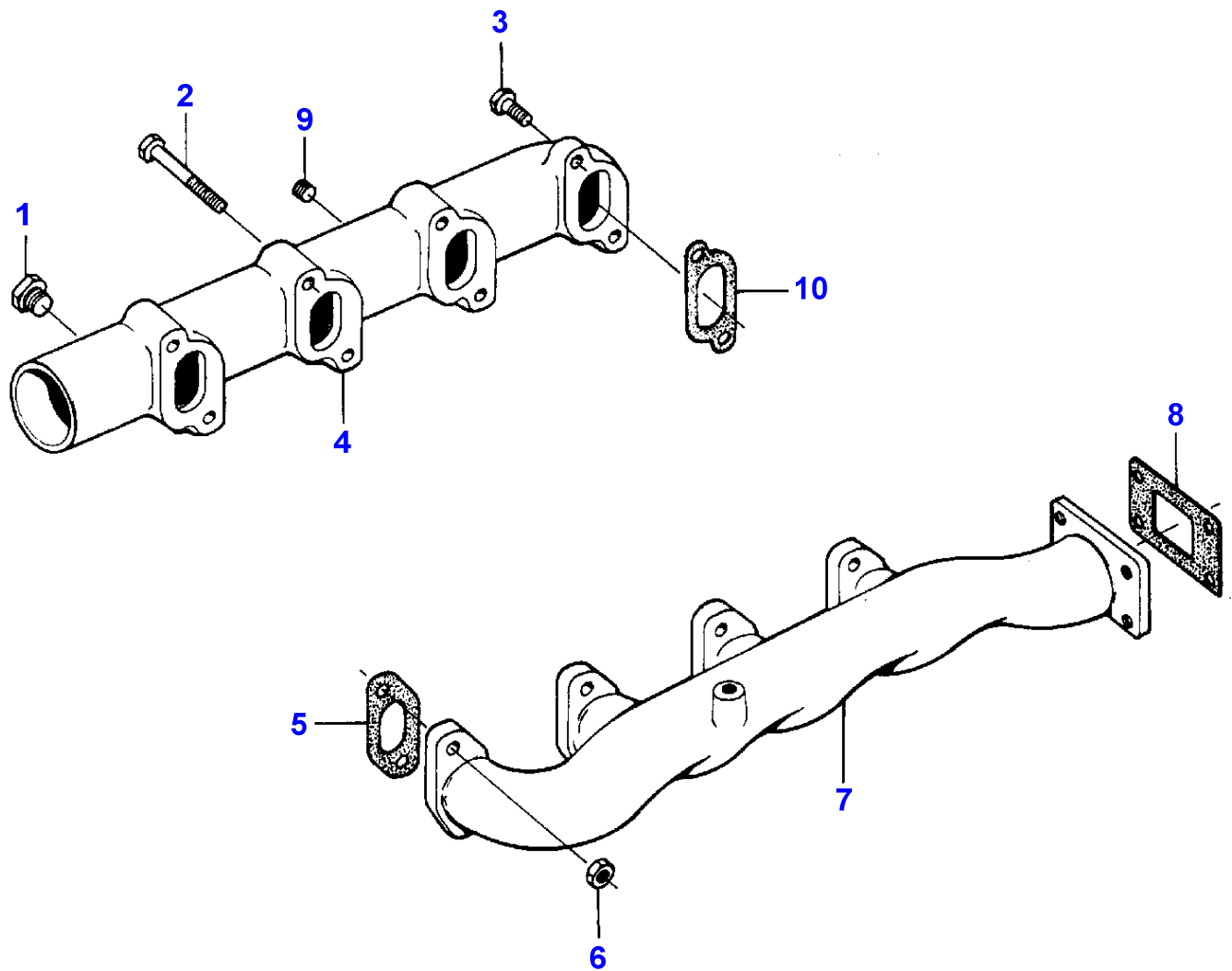
1637219

FUEL FILTER - ENGINE 411 DSL

43

Item	Part Number	Qty	Description	Comments
				ENGINE 411 DSL
1	V835331210	1	Fuel Filter	
2		1	Cover	(1) Not serviced, order REF 1
3	V835331345	1	Screw	(1)
4	V615870610	1	Seal	(1)
5	V835331343	1	Filter Element	(1)
6	V835331344	1	O Ring	(5)
7	V640325014	2	Plug	
8	V615881418	10	Seal	
9	V528801410	2	Adjusting Screw	
10	V500150840	2	Washer	
11	V504800800	2	Nut	
12	V836146307	1	Support	
13	V640435010	4	Screw	
14	V835336984	1	Pipe	
15	V835336986	1	Pipe	
16	V835329746	1	Clamp	
17	V581805000	2	Screw	

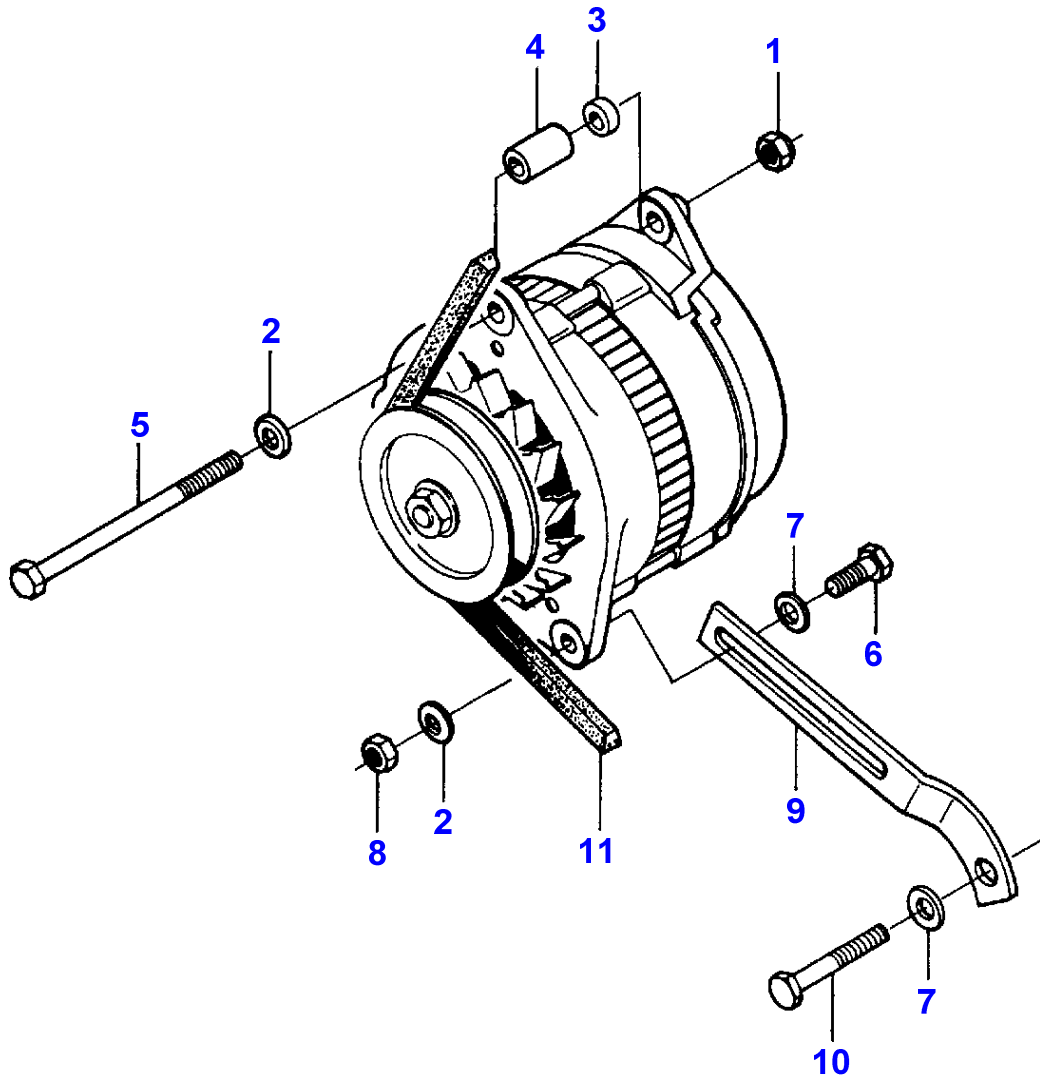
1-HB19-005-A



MASSEY FERGUSON**MF 30/31XP/32/34/36/38/40 COMBINE ENGINES, VALMET - 1637219****1637219****TURBOCHARGER-INLET AND EXHAUST MANIFOLD - ENGINE 411 DSL****45**

Item	Part Number	Qty	Description	Comments
				ENGINE 411 DSL
1	V836114958	1	Plug	
2	V529801500	7	Screw	
3	V528801380	1	Screw	
4	V836114780	1	Ind.Manifold	
5	V836122886	4	Joint	
6	V504801002	8	Nut	
7	V836128941	1	Exhaust Manifold	
8	V836128944	1	Gasket	
9	V640025010	1	Plug	
10	V836006803	4	Joint	

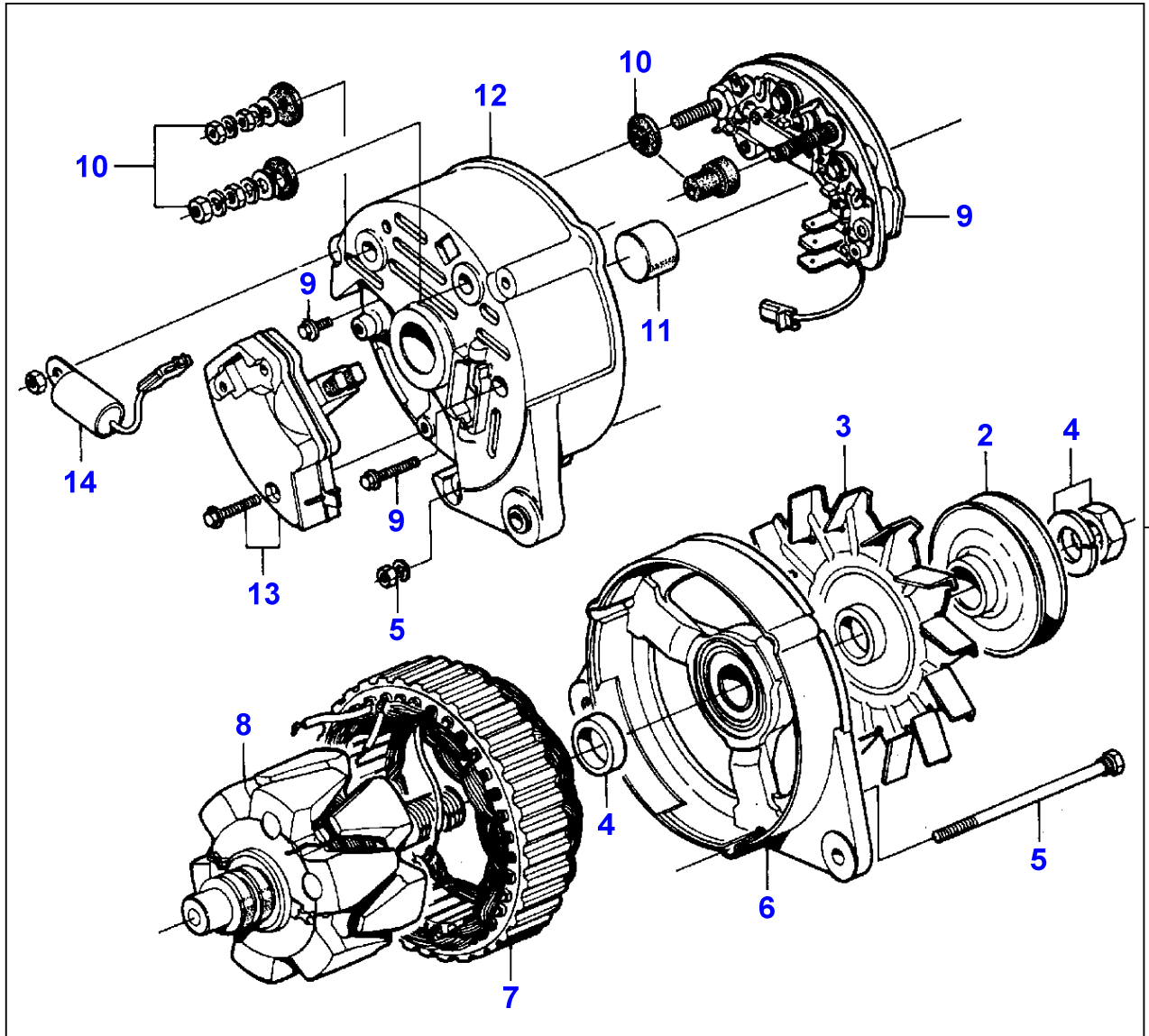
1-HB23-004-A



MASSEY FERGUSON**MF 30/31XP/32/34/36/38/40 COMBINE ENGINES, VALMET - 1637219****1637219****BELT TENSIONER - ENGINE 411 DSL****46**

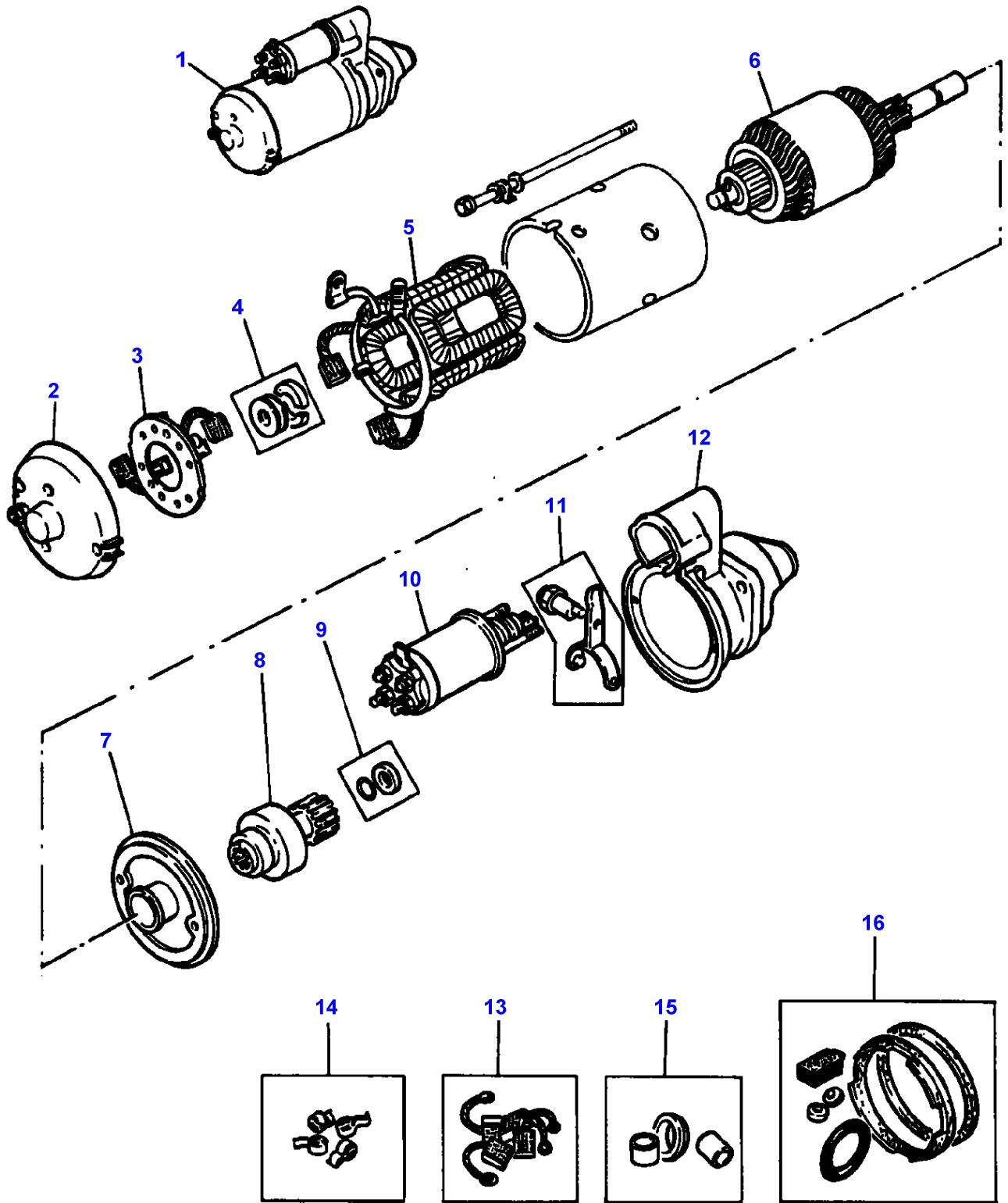
Item	Part Number	Qty	Description	Comments
				ENGINE 411 DSL
1	V510600802	1	Nut	
2	V500950800	2	Washer	
3	V836019695	1	Sleeve	
4	V836129814	1	Spacer	
5	V529801570	1	Screw	
6	V528801400	1	Screw	
7	V836120989	2	Washer	
8	V504800800	1	Nut	
9	V836424274	1	Tensioner	
10	V529801440	1	Screw	
11	D41990013	1	Belt	

1-HB24-005-A



Item	Part Number	Qty	Description	Comments
				ENGINE 411 DSL
1	V835339304	1	Alternator	12V-65AMP.
2	V835339377	1	Pulley	(1)
3	V835339376	1	Fan	(1)
4	V835339379	1	Parts Pack	(1)
5	V835339380	1	Kit, Bolt	(1)
6	V835339381	1	Bracket	(1)
7	V835339304	1	Alternator	(1)
8	V835339390	1	Rotor	(1)
9	V835339384	1	Rectifier	(1)
10	V835339385	1	Kit, Terminal	(1)
11	V835339386	1	Bearing	(1)
12	V835339387	1	Bracket	(1)
13	V835339388	1	Regulator	(1)
14	V835339391	1	Capacitor	(1)

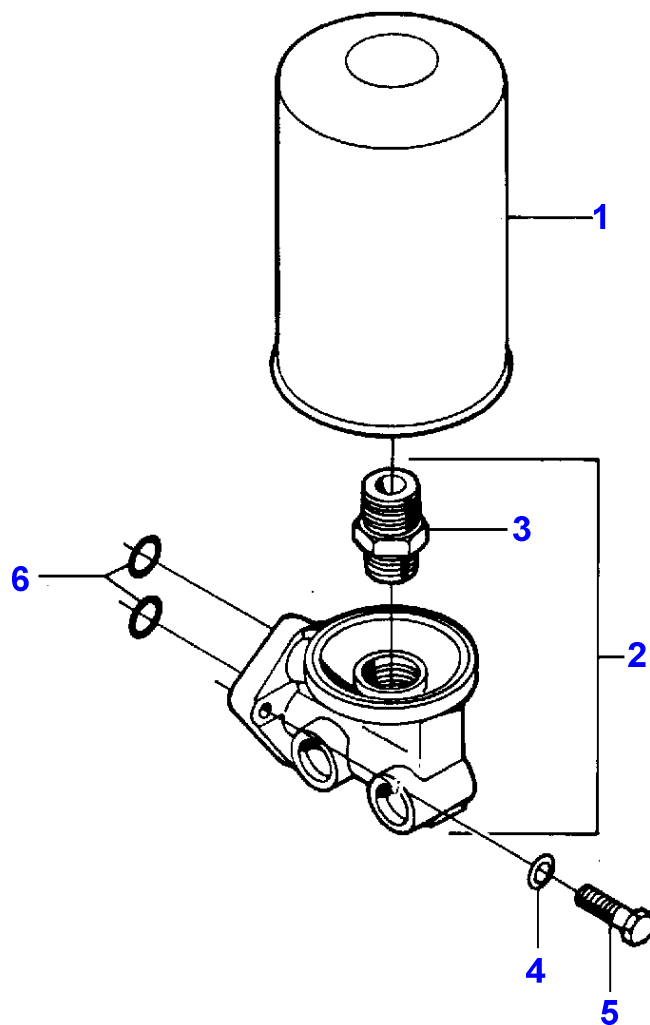
1-HB25-005-A



STARTER MOTOR - ENGINE 411 DSL

Item	Part Number	Qty	Description	Comments
				ENGINE 411 DSL
1	V835346811	1	Startermotor	
2	V835331862	1	Flange	(1)
3	V836015847	1	Holder	(1)
4	V836015839	1	Bush	(1)
5	V836640938	1	Startermotor	(1)
6	3473800M91	1	Armature	(1)
7	V835331867	1	Flange	(1)
8	V835331868	1	Flinger	(1)
9	V835331865	1	Washer	(1)
10	V836640946	1	Solenoid	(1)
11	V835331869	1	Fork	(1)
12		1	Bracket	(1)
				Not serviced, order REF.1
13	V836015230	1	Kit, Brush	(1)
14	V836015232	1	Kit, Spring	(1)
15	V836015848	1	Kit, Bush	(1)
16	V835331870	1	Kit, Joint	(1)

1-HB29-001-A



MASSEY FERGUSON**MF 30/31XP/32/34/36/38/40 COMBINE ENGINES, VALMET - 1637219****1637219****OIL FILTER - ENGINE 411 DSL****49**

Item	Part Number	Qty	Description	Comments
				ENGINE 411 DSL
1	V836436346	1	Oil Filter	
2	V836136345	1	Bracket	
3	V836136343	1	Union	(2)
4	V500950800	3	Washer	
5	V528801410	3	Adjusting Screw	
6	V614601930	2	O Ring	