

TM-ZF360 41102210360A FRAME/STD,REMOTE-RADIO CONT.,HOOK-IN

PB2000012-01 POWER TAKE OFF & PUMP (ZF300,ZF360)
PK2000349-00 FRAME UNIT
PO1000122-01 INDICATION PLATES
PV1000075-02 REMOTE CONTROL SYSTEM
PY1000373-00 OPTIONS
ASSEMBLY

- POWER TAKE OFF
- パワー テイク オフの選定

指示番号 key No.	CARRIER MAKER キャリア メーカー
1	mitsubishi ミツビシ
2	HINO ヒノ
3	ISUZU イズズ
4	NISSAN ニッサン

[NOTE]

- (1) SOME TYPES OF THE CARRIER ARE EQUIPPED WITH THE MANUFACTURER'S GENUINE POWER TAKE OFF.
- (2) POWER TAKE OFF FOR EXPORT IS SUPPLIED FROM THE CARRIER MANUFACTURE.

[注 意]

- (1) パワーテイクオフは車種によってメーカー純正品があります。
- (2) 海外向けのパワーテイクオフは、車両メーカー品です。

- PUMP
- ポンプの選定

指示番号 key No.	PUMP MODEL ポンプ型式番号
5	SGP1-32L

[NOTE]

- (1) PUMP MODEL NOS. ARE PUNCHED ON PUMP NAMEPLATE.

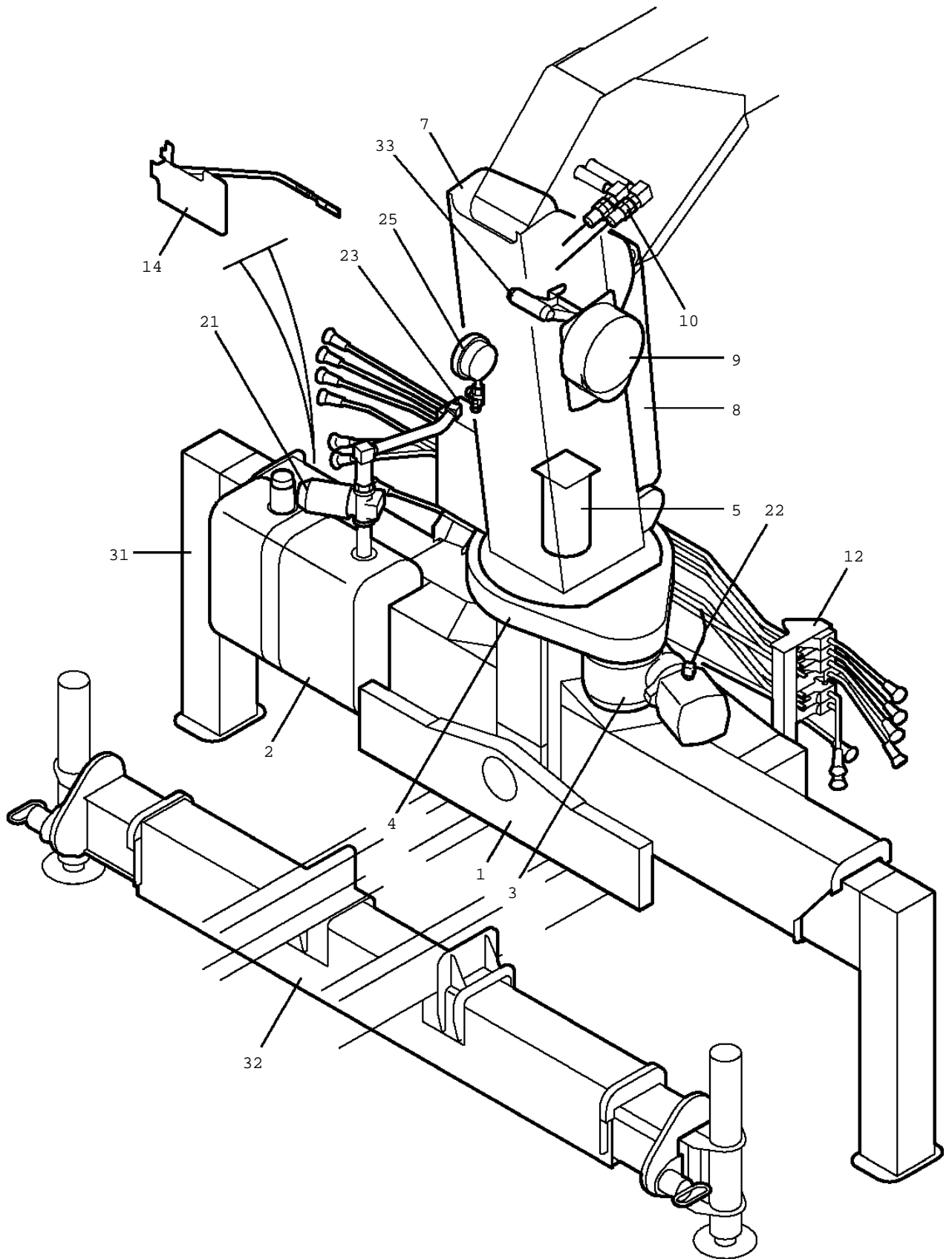
[注 意]

- (1) ポンプ型式番号はポンプ本体の銘板に打刻しています。

TM-ZF360 41102210360A FRAME/STD,REMOTE-RADIO CONT.,HOOK-IN

Pos No.	Parts No	Parts Name	Qty	Unit	Technical Data	Serial	
1	31791720000	POWER TAKE OFF	1				
	31790950000	POWER TAKE OFF	1				
	31791360000	POWER TAKE OFF	1				
	31791310000	POWER TAKE OFF	1				
	52130202001	POWER TAKE OFF	1				
	31791000000	POWER TAKE OFF	1				
	31791560000	POWER TAKE OFF	1				
	36400950000	POWER TAKE OFF	1				
	36401040000	POWER TAKE OFF	1				
	31790940000	POWER TAKE OFF	1				
	31791960000	POWER TAKE OFF	1				
	31790810000	POWER TAKE OFF	1				
	31790770000	POWER TAKE OFF	1				
	31790780000	POWER TAKE OFF	1				
	36400940000	POWER TAKE OFF	1				
	31791550000	POWER TAKE OFF	1				
	2	31790690000	POWER TAKE OFF	1			
		31790940000	POWER TAKE OFF	1			
		31790930000	POWER TAKE OFF	1			
		31791360000	POWER TAKE OFF	1			
31791560000		POWER TAKE OFF	1				
31791550000		POWER TAKE OFF	1				
31791490000		POWER TAKE OFF	1				
31790920000		POWER TAKE OFF	1				
31790960000		POWER TAKE OFF	1				
3		31790980000	POWER TAKE OFF	1			
	31791370000	POWER TAKE OFF	1				
	31791380000	POWER TAKE OFF	1				
	31790910000	POWER TAKE OFF	1				
	(*****)	POWER TAKE OFF	1				
	31791580000	POWER TAKE OFF	1				
4	(*****)	POWER TAKE OFF (PACKING)	1				
	31791020000	POWER TAKE OFF	1				
	31790830000	POWER TAKE OFF	1				
	31790750000	POWER TAKE OFF	1				
	31790850000	POWER TAKE OFF	1				
	31790740000	POWER TAKE OFF	1				
	31790840000	POWER TAKE OFF	1				
	5	36652730000	PUMP, HYDRAULIC (LEFT, SPLINE 13)	1			

TM-ZF360 41102210360A FRAME/STD,REMOTE-RADIO CONT.,HOOK-IN
PK2000349-00 FRAME UNIT



TM-ZF360 41102210360A FRAME/STD,REMOTE-RADIO CONT.,HOOK-IN

Pos No.	Parts No	Parts Name	Qty	Unit	Technical D
1	(*****)	FRAME	1		
2	(*****)	TANK SUPPORT INSTALLATION	1		
3	(*****)	REDUCER,SWING SPEED (MOUNT)	1		
4	(*****)	COVER,SWING FRAME	1		
5	(*****)	JOINT,ROTARY (MOUNT)	1		
7	(*****)	SWING FRAME	1		
8	(*****)	CYLINDER,ELEVATING	1		
9	(*****)	MOUNT,WINCH	1		
10	(*****)	PIPING,HYDRAULIC UPPER	1		
12	(*****)	OPE.ASSY,CONT.VALVE (CRANE)	1		
14	(*****)	OPERATION SYSTEM, ACCELERATOR	1		
21	(*****)	PIPING,LOWER (CRANE)	1		
22	(*****)	PIPING,SWING	1		
23	(*****)	PIPING,LOWER (REMOTE CONT.,SANWA)	1		
	(*****)	PIPING,LOWER (REMOTE CONT.,NACHI)	1		
25	36682160000	METER,LOAD (2.9TON NAGANO/ENG.& JAPANESE)	1		
	36682150000	METER,LOAD (2.9TON KUSABA/ENG.& JAPANESE)	1		
	36683350000	METER,LOAD (7000IDS ENGLISH/NAGANO)	1		
	36682740000	METER,LOAD (3.0TON NAGANO/FRENCH)	1		
	36682400000	METER,LOAD (3.0TON ENG.&RUSSIAN/NAGANO)	1		
	36682940000	METER,LOAD (3.2TON ENG.&CHINESE/NAGANO)	1		
	36682270000	METER,LOAD (3.0TON NAGANO/ENGLISH)	1		
31	(*****)	OUTRIGGER	1		
	(*****)	OUTRIGGER (FOR 6-7TON)	1		
32	(*****)	OUTRIGGER,REAR (ROTARY)	1		
33	(*****)	DETECTOR,DISORDERLY WINDING	1		

TM-ZF360 41102210360A FRAME/STD,REMOTE-RADIO CONT.,HOOK-IN
PO1000122-01 INDICATION PLATES

メイバン
INDICATION PLATES

【組立名称一覧】より選択してください。
SEE THE CORRESPONDING "ASSEMBLY NAME" LIST.

TM-ZF360 41102210360A FRAME/STD,REMOTE-RADIO CONT.,HOOK-IN

Pos No.	Parts No	Parts Name	Qty	Unit	Technical Dat
1	(*****)	PLATE ASSY,NAME (JAPANESE)	1		
5	(*****)	PERFORMANCE DATA (ZF366,WB=4200 7T/JPN)	1		
	(*****)	PERFORMANCE DATA (ZF366,DAY CAB/JPN)	1		

TM-ZF360 41102210360A FRAME/STD,REMOTE-RADIO CONT.,HOOK-IN
PV1000075-02 REMOTE CONTROL SYSTEM

リモート コントロール システム
REMOTE CONTROL SYSTEM

【組立名称一覧】より選択してください。
SEE THE CORRESPONDING "ASSEMBLY NAME" LIST.

TM-ZF360 41102210360A FRAME/STD,REMOTE-RADIO CONT.,HOOK-IN

Pos No.	Parts No	Parts Name	Qty	Unit	Technical Data	Seri
1	(*****)	RADIO CONTROL	1			
	(*****)	RADIO CONTROL (FREQ.A OR FREQ.B)	1			
	(*****)	RADIO CONTROL (FREQ.D OR FREQ.E)	1			EE69
2	(*****)	REMOTE CONTROL	1			

TM-ZF360 41102210360A FRAME/STD,REMOTE-RADIO CONT.,HOOK-IN
PY1000373-00 OPTIONS

トクベツ ショウ
OPTIONS

【組立名称一覧】より選択してください。
SEE THE CORRESPONDING "ASSEMBLY NAME" LIST.

TM-ZF360 41102210360A FRAME/STD,REMOTE-RADIO CONT.,HOOK-IN

Pos No.	Parts No	Parts Name	Qty	Unit	Te
1	(*****)	REMOTE CONTROL (KIT)	1		
	(*****)	REMOTE CONTROL	1		
2	(*****)	RADIO CONTROL (FREQUENCY C)	1		
	(*****)	RADIO CONTROL	1		
	(*****)	RADIO CONTROL (HOOK-IN)	1		
	(*****)	RADIO CONTROL (F-TYPE,LED KIT/HOOK-IN)	1		
	(*****)	RADIO CONTROL (PARTS)	1		
	(*****)	RADIO CONTROL(F,LED KIT/WITHOUT HOOK-IN)	1		
	(*****)	RADIO CONTROL	1		
	(*****)	RADIO CONTROL	1		
3	(*****)	PARTS ASSY,RADIO CONTROLLER (KIT:LED/SANWA)	1		
	(*****)	PARTS ASSY,RADIO CONTROLLER (KIT:LED/NACHI)	1		
4	(*****)	RADIO CONTROLLER ASSY (F-TYPE:LED/WITHOUT HOOK-IN)	1		
	(*****)	RADIO CONTROLLER ASSY (F-TYPE:LED/WITH HOOK-IN)	1		
5	(*****)	PARTS,BML (5,6 SECT.MANUAL)	1		
	(*****)	PARTS,BML (5,6 SECT.RADICON HOOK-IN)	1		
	(*****)	PARTS,BML (3,4 SECT.RADICON HOOK-IN)	1		
	(*****)	PARTS,BML (3,4 SECT.HOOK-IN)	1		
	(*****)	PARTS,BML (5,6 SECT.HOOK-IN)	1		
	(*****)	PARTS,BML (3,4 SECT.MANUAL)	1		
6	(*****)	PARTS,AWL	1		
	(*****)	PARTS,AWL	1		
	(*****)	PARTS,AWL	1		
	(*****)	PARTS,AWL	1		
	(*****)	PARTS,AWL	1		
	(*****)	PARTS,AWL (2-4 SECT./RADICON OR MH)	1		
	(*****)	PARTS,AWL (5,6 SECT./RADICON OR MH)	1		
	(*****)	PARTS,AWL	1		
7	36800280000	CABLE,REMOTE CONTROL (T,OPTION 20M)	1		
8	36800150000	ANTENNA (15M.TRAVELLING TYPE A,B)	1		
	36802760000	ANTENNA (15M.TRAVELLING TYPE C,D,E)	1		
9	(*****)	HOOK	1		
11	(*****)	DETECTOR,DISORDERLY WINDING	1		
12	(*****)	OUTRIGGER,REAR (MANUAL)	1		
	(*****)	ROPE,GUIDE	1		
	(*****)	OUTRIGGER,REAR (ROTARY)	1		
13	(*****)	WINCH (DRUM FREE)	1		
	(*****)	OUTRIGGER (FOR CAB BACK)	1		
14	(*****)	PLATE (355X355,H=80)	1		
15	(*****)	POWER SUPPLY	1		
16	(*****)	LAMP (MOUNT,POST/24V-60W)	1		
17	(*****)	LAMP (MOUNT,BOOM/24V-45W)	1		
18	(*****)	ALARM SYSTEM	1		
	(*****)	ALARM SYSTEM	1		
	(*****)	ALARM SYSTEM	1		
	(*****)	ALARM SYSTEM	1		
	(*****)	ALARM SYSTEM	1		
	(*****)	ALARM SYSTEM	1		
20	(*****)	ELEC.ASSY	1		
	(*****)	ELEC.ASSY	1		
21	(*****)	ELEC.ASSY (AWL LAMP)	1		
22	(*****)	VALVE,MANUAL CONTROL (DUMP/NABCO)	1		
	(*****)	VALVE,MANUAL CONTROL(DUMP/NIHON SPINDLE)	1		
23	(*****)	MOUNT (REPLACE RERAY,24--12V)	1		
24	(*****)	JOINT,ROTARY (RING ASSY,SLIP)	1		
25	(*****)	PLATE ASSY,NAME (FOR FIXING AWL)	1		

TM-ZF360 41102210360A FRAME/STD,REMOTE-RADIO CONT.,HOOK-IN

PB1030015-02 POWER TAKE OFF
PB1030043-02 POWER TAKE OFF
PB1030048-00 POWER TAKE OFF
PB1030083-02 POWER TAKE OFF
PB1030091-01 POWER TAKE OFF
PB1030093-01 POWER TAKE OFF
PB1030096-00 POWER TAKE OFF (PACKING)
PB1030103-04 POWER TAKE OFF
PB1030104-01 POWER TAKE OFF
PB1030105-01 POWER TAKE OFF
PB1030106-01 POWER TAKE OFF
PB1030107-02 POWER TAKE OFF
PB1030108-02 POWER TAKE OFF
PB1030109-02 POWER TAKE OFF
PB1030111-00 POWER TAKE OFF
PB1030112-00 POWER TAKE OFF
PB1030113-02 POWER TAKE OFF
PB1030114-03 POWER TAKE OFF
PB1030115-00 POWER TAKE OFF
PB1030118-02 POWER TAKE OFF
PB1030127-01 POWER TAKE OFF
PB1030128-01 POWER TAKE OFF
PB1030135-02 POWER TAKE OFF
PB1030136-02 POWER TAKE OFF
PB1030137-02 POWER TAKE OFF
PB1030138-01 POWER TAKE OFF
PB1030141-01 POWER TAKE OFF
PB1030142-02 POWER TAKE OFF
PB1030145-02 POWER TAKE OFF
PB1030146-01 POWER TAKE OFF
PB1030147-02 POWER TAKE OFF
PB1030153-01 POWER TAKE OFF
PB1030166-01 POWER TAKE OFF
PB1030187-01 POWER TAKE OFF
PB1100099-00 PUMP, HYDRAULIC (LEFT, SPLINE 13)
PB1130159-00 TANK, OIL
PB1300181-01 JOINT, ROTARY
PB1300185-02 JOINT, ROTARY (MOUNT)
PB1300301-01 JOINT, ROTARY
PB1300430-01 JOINT, ROTARY (RING ASSY, SLIP)
PB1320258-01 VALVE, MANUAL CONTROL (REAR OUTRIGGER)
PB1320271-00 VALVE, MANUAL CONTROL (POWER SUPPLY)
PB1320292-01 VALVE, MANUAL CONTROL
PB1320456-00 VALVE, MANUAL CONTROL (DUMP)
PB1320516-00 VALVE, MANUAL CONTROL (DUMP/NIHON SPINDLE)
PB1320614-00 VALVE, MANUAL CONTROL (DUMP/NABCO)
PB1380210-00 POWER SUPPLY
PB1400251-00 PIPING, HYDRAULIC UPPER
PB1410663-02 PIPING, LOWER (REMOTO CONT., NACHI)
PB1410664-01 PIPING, LOWER (POWER SUPPLY)
PB1410671-00 PIPING, LOWER (REMOTE CONT., SANWA)
PB1410672-02 PIPING, LOWER (REMOTE CONT., NACHI)
PB1410847-00 PIPING, LOWER (CRANE)
PB1410912-01 PIPING, LOWER (REPLACE FILTER)
PB1411225-00 PIPING, LOWER (NACHI)
PB1411316-00 PIPING, LOWER (NACHI)
PB1411897-00 PIPING, LOWER (SANWA)
PC1010196-03 OUTRIGGER (REAR)
PC1010329-00 OUTRIGGER (REAR)
PC1010512-01 OUTRIGGER
PC1010525-05 OUTRIGGER (4T & 5.5T BASE 7T, WITH FLOAT)
PC1010597-02 OUTRIGGER
PC1010598-02 OUTRIGGER
PC1010634-01 OUTRIGGER
PC1010842-00 OUTRIGGER (FOR CAB BACK)
PC1011091-00 OUTRIGGER
PC1011092-00 OUTRIGGER (FOR 6-7TON)
PC1011097-00 OUTRIGGER (FOR CAB BACK)
PC1020003-00 OUTRIGGER, REAR (FRAME)
PC1020014-00 OUTRIGGER, REAR (ROTARY)
PC1020016-00 OUTRIGGER, REAR (ROTARY)
PC1020018-00 OUTRIGGER, REAR (MANUAL)
PC1030137-01 CYLINDER, JACK (REAR OUTRIGGER)
PC1030170-04 CYLINDER, JACK (MIN674. WITH FLOAT)
PC1030182-02 CYLINDER, JACK

TM-ZF360 41102210360A FRAME/STD,REMOTE-RADIO CONT.,HOOK-IN

PC1030213-02 CYLINDER,JACK
PC1030301-02 CYLINDER,JACK (REAR OUTRIGGER)
PC1100146-05 OPE.ASSY,OUTRIGGER
PC1100197-03 OPE.ASSY,OUTRIGGER
PC1190020-00 INDICATOR,OUTRIGGER
PC1190021-00 INDICATOR,OUTRIGGER
PC1190022-00 INDICATOR,OUTRIGGER
PC1200251-01 PIPING,OUTRIGGER (REAR)
PC1200452-00 PIPING,OUTRIGGER
PC1230021-03 PIPING,REAR JACK (2,ROTARY)
PC1230027-00 PIPING,REAR JACK (2,FOR CAB BACK)
PC1230029-00 PIPING,REAR JACK (2)
PC5410006-03 CONTROL UNIT
PC6390046-01 CYLINDER ASSY,JACK
PC6390047-01 CYLINDER ASSY,JACK
PD1010062-01 REDUCER,SWING SPEED
PD1010089-02 REDUCER,SWING SPEED (MOUNT)
PD1010133-00 REDUCER,SWING SPEED
PD1200128-00 PIPING,SWING
PE1010183-02 CYLINDER,ELEVATING
PE5020094-00 ELEC.ASSY
PE5020095-00 ELEC.ASSY (CRANE/SWITCH)
PE5020096-00 ELEC.ASSY (CRANE/HARNESS)
PE5020097-00 ELEC.ASSY (CRANE/HARNESS)
PE5020098-00 ELEC.ASSY (CARRIER)
PE5020099-00 ELEC.ASSY (FRAME)
PE5020100-00 ELEC.ASSY (FRAME)
PE5020101-00 ELEC.ASSY (AWL LAMP)
PE5020102-00 ELEC.ASSY
PE5020103-00 ELEC.ASSY
PF1010128-02 WINCH (OOKUBO)
PF1010131-01 WINCH (DRUM FREE,OPTION)
PF1010133-01 WINCH (DRUM FREE)
PF1010167-01 WINCH (HARTYS)
PF1010229-01 WINCH (Y.G.TEC)
PF1010237-01 WINCH (OOKUBO)
PF1010299-00 WINCH (DRUM FREE)
PF1020004-01 DRUM,WINCH
PF1050063-01 HOOK (DRUM FREE,OPTION)
PF1050161-03 HOOK (1-PART LINE ,OPTION)
PF1050447-00 HOOK
PF1080001-00 SUPPORT (DRUM FREE,OPTION)
PF1180053-00 DETECTOR,DISORDERLY WINDING
PF1200188-01 PIPING,WINCH (DRUM FREE,OPTION)
PF1400262-01 MOUNT,WINCH
PG1130016-02 DETECTOR,BOOM LENGTH
PG1130086-01 DETECTOR,BOOM LENGTH (BML,OPTION)
PG1130086-01 DETECTOR,BOOM LENGTH (BML,OPTION)
PG1130134-00 DETECTOR,BOOM LENGTH
PG1130135-00 DETECTOR,BOOM LENGTH
PG1130144-00 DETECTOR,BOOM LENGTH (MOUNT)
PG1130145-00 DETECTOR,BOOM LENGTH (MOUNT)
PH1010007-01 DETECTOR,LOAD (BML,OPTION)
PH1010008-00 DETECTOR,LOAD
PH1060266-01 DETECTOR,OVER WINDING (OPTION)
PH1100053-00 DETECTOR,OVER FRONT AREA (BML,OPTION)
PH1250033-01 MOMENT LIMITER (BML-PB)
PH1250066-00 MOMENT LIMITER (BML)
PH1250115-00 MOMENT LIMITER (BML)
PH1350007-00 WORKING AREA LIMITER (AWL-N)
PH1350007-00 WORKING AREA LIMITER (AWL-N)
PH1350007-00 WORKING AREA LIMITER (AWL-N)
PH1350007-00 WORKING AREA LIMITER (AWL-N)
PH1350007-00 WORKING AREA LIMITER (AWL-N)
PH1350015-00 WORKING AREA LIMITER
PI1010077-01 MOTOR,HYDRAULIC (SWING)
PI1010087-00 MOTOR,HYDRAULIC (WINCH)
PI1120241-00 VALVE,SOLENOID
PI1250073-01 VALVE,COUNTERBALANCE (ELEVATING)
PI1280051-00 VALVE,PILOT CHECK
PI1280060-03 VALVE,PILOT CHECK
PI1300026-01 FILTER,OIL (WAKO)
PI1300028-01 FILTER,OIL (CARTRIDGE)
PI1300061-02 FILTER,OIL (YAMASHIN)
PI1440017-00 METER,LOAD (3.0TON NAGANO/FRENCH)

TM-ZF360 41102210360A FRAME/STD,REMOTE-RADIO CONT.,HOOK-IN

PI1440020-00 METER,LOAD (3.0TON NAGANO/ENGLISH)
PI1440021-00 METER,LOAD (3.0TON ENG.&RUSSIAN/NAGANO)
PI1440022-00 METER,LOAD (3.2TON ENG.&CHINESE/NAGANO)
PI1440023-00 METER,LOAD (7000IDS ENGLISH/NAGANO)
PI1440035-01 METER,LOAD (2.9TON KUSABA/ENG.& JAPANESE)
PI1440036-01 METER,LOAD (2.9TON NAGANO/ENG.& JAPANESE)
PK1010480-00 FRAME
PK1100192-00 SWING FRAME
PK1200221-00 COVER,SWING FRAME
PL1010529-04 OPE.ASSY,CONT.VALVE (CRANE)
PL1010547-01 OPE.ASSY,CONT.VALVE(O/R,REAR)
PL1010609-01 OPE.ASSY,CONT.VALVE (POWER)
PL1010691-01 OPERATION SYSTEM, CONTROL VALVE
PL1010745-00 OPE.ASSY,CONT.VALVE (RADICON)
PL1011069-00 OPE.ASSY,CONT.VALVE
PL1030415-05 OPERATION SYSTEM, ACCELERATOR
PN1011420-00 ELEC.ASSY (REMOTE CONTROL)
PN1011422-02 ELEC.ASSY (LOWER,LAMP)
PN1011423-03 ELEC.ASSY (UPPER,LAMP/POST)
PN1011425-01 ELEC.ASSY (DRUM FREE,OP.)
PN1011426-02 ELEC.ASSY (UPPER,LAMP/BOOM)
PN1011427-00 ELEC.ASSY (ALARM,UPPER)
PN1011685-01 ELEC.ASSY (ALARM,UPPER)
PN1011777-00 ELEC.ASSY (ALARM,LOWER)
PN1011778-01 ELEC.ASSY (LOWAR)
PN1011779-00 ELEC.ASSY (AWL)
PN1011780-00 ELEC.ASSY (AWL)
PN1011969-00 ELEC.ASSY (ALARM,LOWER)
PN1011983-02 ELEC.ASSY (ALARM,UPPER)
PN1011985-02 ELEC.ASSY (BML,OPTION)
PN1012024-00 ELEC.ASSY (OUTRIGGER,REAR)
PN1012032-00 ELEC.ASSY (OUTRIGGER,REAR)
PN1012034-02 ELEC.ASSY (REMOTE CONTROL)
PN1012035-02 ELEC.ASSY (RADIO CONTROL)
PN1012038-02 ELEC.ASSY (RADCON ANTENNA)
PN1012225-00 ELEC.ASSY
PN1012229-01 ELEC.ASSY
PN1012769-00 ELEC.ASSY (RADIO CONTROL)
PN1012770-00 ELEC.ASSY (RADIO CONTROL)
PN1012771-00 ELEC.ASSY (ALARM,UPPER)
PN1012772-01 ELEC.ASSY (ALARM,UPPER)
PN1012773-01 ELEC.ASSY (RADIO CONTROL)
PN1012774-00 ELEC.ASSY (REMOTE CONTROL,FOR EXPORT)
PN1012788-01 ELEC.ASSY (RADIO CONTROL)
PN1013065-01 ELEC.ASSY (RADIO CONTROL)
PN1013066-01 ELEC.ASSY (RADIO CONTROL)
PN1014041-00 ELEC.ASSY
PN1014042-00 ELEC.ASSY (SPARE HARNESS)
PN1014043-01 ELEC.ASSY (ANTENNA)
PN1014202-01 ELEC.ASSY (CARRIER)
PN1014341-00 ELEC.ASSY (CARRIER)
PN1014342-00 ELEC.ASSY (CARRIER)
PN1080213-00 LAMP (MOUNT,BOOM/24V-45W)
PN1080214-00 LAMP (MOUNT,POST/24V-60W)
PN1350004-01 REEL,CORD
PN5010195-00 NAME PLATE ASSY
PN5010239-00 NAME PLATE ASSY
PO1012044-02 PLATE ASSY,NAME (JAPANESE)
PO1012076-00 PLATE ASSY,NAME (OUTRIGGER,REAR)
PO1012146-00 PLATE ASSY,NAME (RADIO CONTROL C-TYPE)
PO1012186-00 PLATE ASSY,NAME (REMOTE CONTROL)
PO1012215-00 PLATE ASSY,NAME (AWL)
PO1012312-01 PLATE ASSY,NAME (O/R FOR CAB BACK OPE.)
PO1012450-00 PLATE ASSY,NAME (AWL)
PO1012451-00 PLATE ASSY,NAME (DRUM FREE)
PO1012473-02 PLATE ASSY,NAME (HOOK)
PO1012546-01 PLATE ASSY,NAME (BML,OPTION)
PO1012662-01 PLATE ASSY,NAME (POWER SUPPLY)
PO1012663-00 PLATE ASSY,NAME (BML BOOM,OPTION)
PO1012667-01 PERFORMANCE DATA (ZF366,WB=4200 7T/JPN)
PO1012668-01 PERFORMANCE DATA (ZF366,DAY CAB/JPN)
PO1012691-00 PLATE ASSY,NAME (OUTRIGGER,REAR)
PO1012920-00 PLATE ASSY,NAME (AWL,OPTION)
PO1013094-01 PLATE ASSY,NAME
PO1013163-00 PLATE ASSY,NAME (O/R FOR CAB BACK)

TM-ZF360 41102210360A FRAME/STD,REMOTE-RADIO CONT.,HOOK-IN

PO1014437-01 PLATE ASSY,NAME (UPPER)
PO1014584-01 PLATE ASSY,NAME (BOOM,ELEV. STOWING FAILURE)
PO1014592-01 PLATE ASSY,NAME
PO1014748-00 PLATE ASSY,NAME (FOR FIXING AWL)
PO1014809-00 PLATE ASSY,NAME
PP5150005-00 PARTS ASSY,RADIO CONTROLLER (KIT:LED/NACHI)
PP5150006-00 PARTS ASSY,RADIO CONTROLLER (KIT:LED/SANWA)
PR5040006-00 RADIO CONTROLLER ASSY (F-TYPE:LED/WITHOUT HOOK-IN)
PR5040007-00 RADIO CONTROLLER ASSY (F-TYPE:LED/WITH HOOK-IN)
PR5050007-00 REEL ASSY,CORD
PR5050011-00 REEL ASSY,CORD
PR5130002-00 RING ASSY,SLIP
PS5530073-00 SWITCH ASSY (GREEN:PANASONIC)
PS5530074-00 SWITCH ASSY (PLANTING:NACC)
PS5530075-00 SWITCH ASSY (GREEN:PANASONIC)
PV1010025-00 REMOTE CONTROL (KIT)
PV1010032-00 REMOTE CONTROL
PV1010045-00 REMOTE CONTROL
PV1020027-05 VALVE,REMOTE CONTROL(NACHI)
PV1020078-01 VALVE,REMOTE CONTROL
PV1020097-06 VALVE,REMOTE CONTROL (HOOK-IN,NACHI)
PV1020106-04 VALVE,REMOTE CONTROL (SANWA)
PV1020136-03 VALVE,REMOTE CONTROL (SANWA)
PV1020173-05 VALVE,REMOTE CONTROL (HOOK-IN,NACHI)
PV1020174-03 VALVE,REMOTE CONTROL (NACHI)
PV1020230-03 VALVE,REMOTE CONTROL (NACHI)
PV1020253-00 VALVE,REMOTE CONTROL
PV1020254-00 VALVE,REMOTE CONTROL
PV1020328-00 VALVE,REMOTE CONTROL
PV1020351-00 VALVE,REMOTE CONTROL
PV1030014-05 SWITCH BOX (RADIO CONTROL.M2.TYPE-B)
PV1030015-02 SWITCH BOX (REMOTE CONTROL.M2)
PV1030019-05 SWITCH BOX (RADIO CONTROL.M2.TYPE-A)
PV1030030-02 SWITCH BOX (RADIO CONTROL,C-TYPE)
PV1030034-05 SWITCH BOX (RADIO CONTROL,TYPE-D)
PV1030037-05 SWITCH BOX (RADIO CONTROL,TYPE-E)
PV1030052-00 SWITCH BOX (RADIO CONTROL)
PV1030057-00 SWITCH BOX (REMOTE CONTROL,20M)
PV1030060-02 SWITCH BOX(RADIO CONTROL)
PV1030080-04 SWITCH BOX (RADIO CONTROL,LED TYPE)
PV1030086-00 SWITCH BOX (FUTABA)
PV1030089-00 SWITCH BOX
PV1030090-00 SWITCH BOX
PV1030091-00 SWITCH BOX
PV1030092-00 SWITCH BOX
PV1040013-02 CONTROL BOX (RADIO CONTROL.M2.B)
PV1040014-00 CONTROL BOX (REMOTE CONTROL.M2)
PV1040018-02 CONTROL BOX (RADIO CONTROL.M2.A)
PV1040035-00 CONTROL BOX (RADIO CONTROL C-TYPE)
PV1040036-01 CONTROL BOX (RADIO CONTROL,D)
PV1040038-02 CONTROL BOX (RADIO CONTROL,TYPE-E)
PV1040050-00 CONTROL BOX
PV1040050-00 CONTROL BOX
PV1040051-00 CONTROL UNIT (ANTENNA)
PV1040068-01 CONTROL BOX (RADIO CONTROL,D-TYPE)
PV1040076-00 CONTROL BOX
PV1040078-00 CONTROL BOX
PV1040093-03 CONTROL UNIT
PV1040094-00 CONTROL BOX
PV1040098-00 CONTROL UNIT
PV1040099-00 CONTROL UNIT
PV1040104-00 CONTROL UNIT
PV1040106-00 CONTROL UNIT
PV1040108-00 CONTROL UNIT
PV1040109-00 CONTROL UNIT
PV1050003-02 CYLINDER,ACCELERATOR (NACHI)
PV1050007-02 CYLINDER,ACCELERATOR
PV1050009-00 CYLINDER,ACCELERATOR(NACHI)
PV1050011-00 CYLINDER,ACCELERATOR
PV1070002-00 RADIO CONTROL (KIT)
PV1070080-00 RADIO CONTROL (KIT)
PV1070133-00 RADIO CONTROL (PARTS)
PV1070150-00 RADIO CONTROL
PV1070151-00 RADIO CONTROL
PV1070152-00 RADIO CONTROL (FREQUENCY C)

TM-ZF360 41102210360A FRAME/STD,REMOTE-RADIO CONT.,HOOK-IN

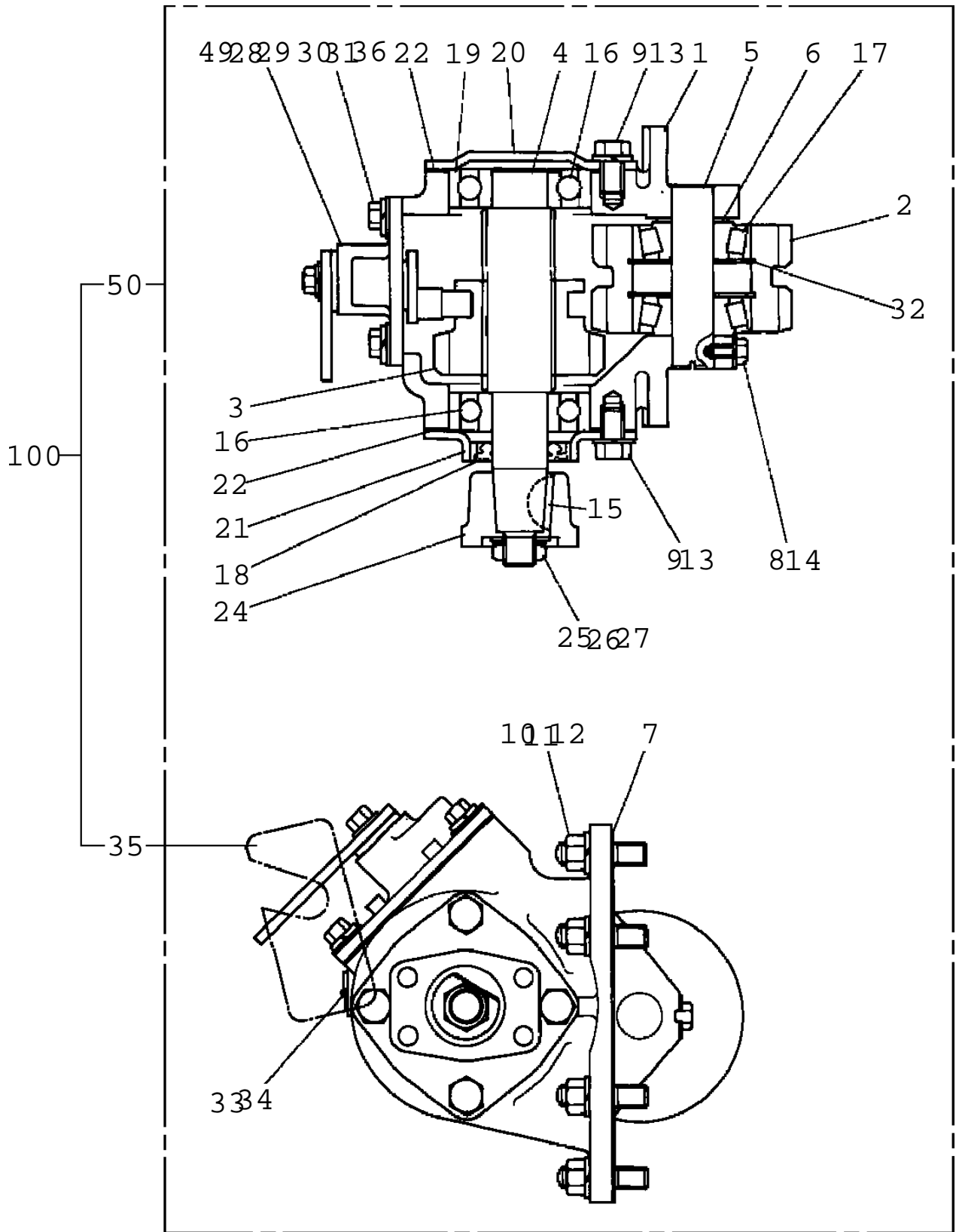
PV1070153-00 RADIO CONTROL (HOOK-IN)
PV1070154-00 RADIO CONTROL
PV1070192-00 RADIO CONTROL (FREQ.A OR FREQ.B)
PV1070193-00 RADIO CONTROL (FREQ.D OR FREQ.E)
PV1070194-00 RADIO CONTROL
PV1070373-00 RADIO CONTROL(F,LED KIT/WITHOUT HOOK-IN)
PV1070374-00 RADIO CONTROL (F-TYPE,LED KIT/HOOK-IN)
PV1080036-00 PARTS,BML (3,4 SECT.HOOK-IN)
PV1080037-00 PARTS,BML (3,4 SECT.MANUAL)
PV1080038-00 PARTS,BML (3,4 SECT.RADICON HOOK-IN)
PV1080039-00 PARTS,BML (5,6 SECT.HOOK-IN)
PV1080040-00 PARTS,BML (5,6 SECT.MANUAL)
PV1080041-00 PARTS,BML (5,6 SECT.RADICON HOOK-IN)
PV1090009-00 PARTS,AWL
PV1090010-00 PARTS,AWL
PV1090011-00 PARTS,AWL
PV1090012-00 PARTS,AWL
PV1090014-00 PARTS,AWL
PV1090015-00 PARTS,AWL
PV1090026-00 PARTS,AWL (2-4 SECT./RADICON OR MH)
PV1090027-00 PARTS,AWL (5,6 SECT./RADICON OR MH)
PV1250002-04 STOWING BOX (REMOTE CONTROL)
PV1250006-00 STOWING BOX (BAG,RADIO CONTROL)
PV1250013-00 BOX,STOWING
PV1300007-00 CABLE,REMOTE CONTROL (T,OPTION 20M)
PV1400011-00 ANTENNA (15M.TRAVELLING TYPE A,B)
PV1400014-02 ANTENNA (FOR RADIO CONTROL)
PV1400014-02 ANTENNA (FOR RADIO CONTROL)
PV1400014-02 ANTENNA (FOR RADIO CONTROL)
PV1400024-01 ANTENNA (15M.TRAVELLING TYPE C,D,E)
PV1400030-01 ANTENNA
PV1400032-01 ANTENNA (RADIO CONTROL/SELECTION DATA)
PV1400034-00 ANTENNA (FOR RADIO CONTROL)
PV1400039-00 ANTENNA (FOR RADIO CONTROL)
PV1400042-00 ANTENNA (FOR RADIO CONTROL)
PV1410002-01 MOUNT,ANTENNA (RADIO CONTROL)
PV1410003-01 MOUNT,ANTENNA (FOR RADIO CONTROL)
PV1410004-02 MOUNT,ANTENNA (RADIO CONTROL,C-TYPE)
PV1410005-01 MOUNT,ANTENNA (RADIO CONTROL,TYPE-A)
PV1410007-01 MOUNT,ANTENNA (RADIO CONTROL,D.E-TYPE)
PV1410008-01 MOUNT,ANTENNA (RADIO CONTROL,D.E-TYPE)
PV1410009-01 MOUNT,ANTENNA (RADIO CONTROL,D.E-TYPE)
PV1410010-01 MOUNT,ANTENNA (RADIO CONTROL,D.E-TYPE)
PV1410012-02 MOUNT,ANTENNA (RADIO CONTROL,D.E-TYPE)
PV1410013-01 MOUNT,ANTENNA (RADIO CONTROL,D.E-TYPE)
PV1410014-02 MOUNT,ANTENNA (RADIO CONTROL,D.E-TYPE)
PV1410022-00 MOUNT,ANTENNA (FREQUENCY A.B)
PV1410023-00 MOUNT,ANTENNA(FREQUENCY A.B/MOUNT,GUARD)
PV1410024-00 MOUNT,ANTENNA (FREQUENCY A.B)
PV1410025-00 MOUNT,ANTENNA(FREQUENCY A.B/MOUNT,GUARD)
PV1410026-00 MOUNT,ANTENNA (FREQUENCY A.B)
PV1410027-00 MOUNT,ANTENNA (FREQUENCY A.B)
PV1410028-00 MOUNT,ANTENNA (FREQUENCY A.B)
PV1410029-00 MOUNT,ANTENNA(FREQUENCY D.E/MOUNT,GUARD)
PV1410030-00 MOUNT,ANTENNA
PV1410031-00 MOUNT,ANTENNA(FREQUENCY D.E/MOUNT,GUARD)
PV1410032-00 MOUNT,ANTENNA (FREQUENCY D.E)
PV1410033-00 MOUNT,ANTENNA (FREQUENCY D.E)
PV1410034-00 MOUNT,ANTENNA (FREQUENCY D.E)
PV1410035-00 MOUNT,ANTENNA (FREQUENCY D.E)
PV1410036-00 MOUNT,ANTENNA(FREQUENCY A.B/MOUNT,GUARD)
PV1410037-00 MOUNT,ANTENNA(FREQUENCY D.E/MOUNT,GUARD)
PW5060005-01 WINCH ASSY (Y.G.TEC)
PX1100210-00 TANK SUPPORT INSTALLATION
PX1940003-00 MOUNT (REPLACE RERAY,24--12V)
PX1940004-00 MOUNT
PX1940184-01 MOUNT (BOOM)
PY1250015-01 SWITCH INSTALLATION (BML)
PY1560022-01 ALARM SYSTEM
PY1560023-01 ALARM SYSTEM
PY1560024-01 ALARM SYSTEM
PY1560025-01 ALARM SYSTEM
PY1560026-01 ALARM SYSTEM
PY1560027-01 ALARM SYSTEM
PY2060002-00 ROPE,GUIDE (OPTION)

TM-ZF360 41102210360A FRAME/STD,REMOTE-RADIO CONT.,HOOK-IN

PY2060004-00 ROPE,GUIDE

PY2340011-00 PLATE (355X355,H=80)

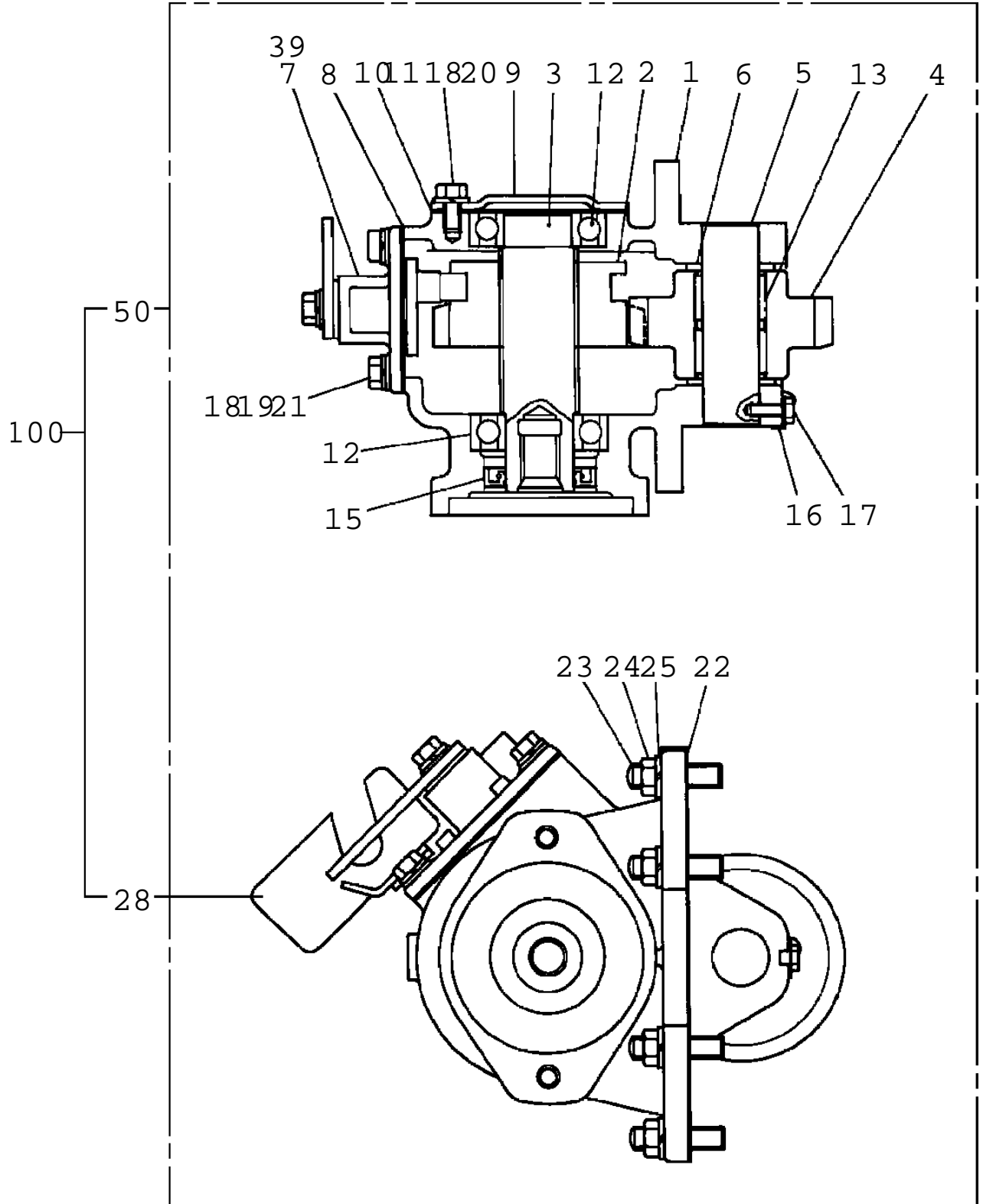
TM-ZF360 41102210360A FRAME/STD,REMOTE-RADIO CONT.,HOOK-IN
PB1030015-02 POWER TAKE OFF



TM-ZF360 41102210360A FRAME/STD,REMOTE-RADIO CONT.,HOOK-IN

Pos No.	Parts No	Parts Name	Qty	Unit	Technical Data	Serial No (Start)	Serial No (End)
1	36400235010	CASE	1				
2	36400235020	GEAR	1				
3	36400235030	GEAR	1				
4	36400235040	SHAFT	1				
5	36400095040	SHAFT	1				
6	36400095050	COLLAR	1				
7	36400215080	PACKING (CASE)	1				
8	90101206012	BOLT	1		M6X12		
9	90191210016	BOLT	8		M10X16		
10	36400295010	BOLT	6				
11	90267201000	NUT	6		M10		
12	90302041001	WASHER,SPRING	14		10		
14	36400095130	WASHER	1				
15	36400135100	KEY	1				
16	80500006305	BEARING,BALL	2				
17	36400095120	BEARING	2				
18	91206025005	SEAL,OIL	1				
19	36400095090	SHIM	N				
20	36400235050	COVER (FRONT)	1				
21	36400235060	COVER (REAR)	1				
22	36400235070	PACKING	2				
24	36400135120	COUPLING	1				
25	36400135150	NUT	1		M4X1.5		
26	36400135090	WASHER	1				
27	36400135160	WASHER,PLAIN	1				
28	36400225110	SHIFTER SET	1				
29	36400095110	PACKING	1				
30	90191208020	BOLT	4		M8X20		
32	80602110520	RING,RITAINING	2		R52		
33	36400295020	PLATE,NAME	1				
35	31790670100	SUPPORT	1				
36	90191208025	BOLT	2		M8X25		
49	36400225160	SEAL,OIL	1				
50	36400290000	POWER TAKE OFF	1				
100	31790690000	POWER TAKE OFF	1				

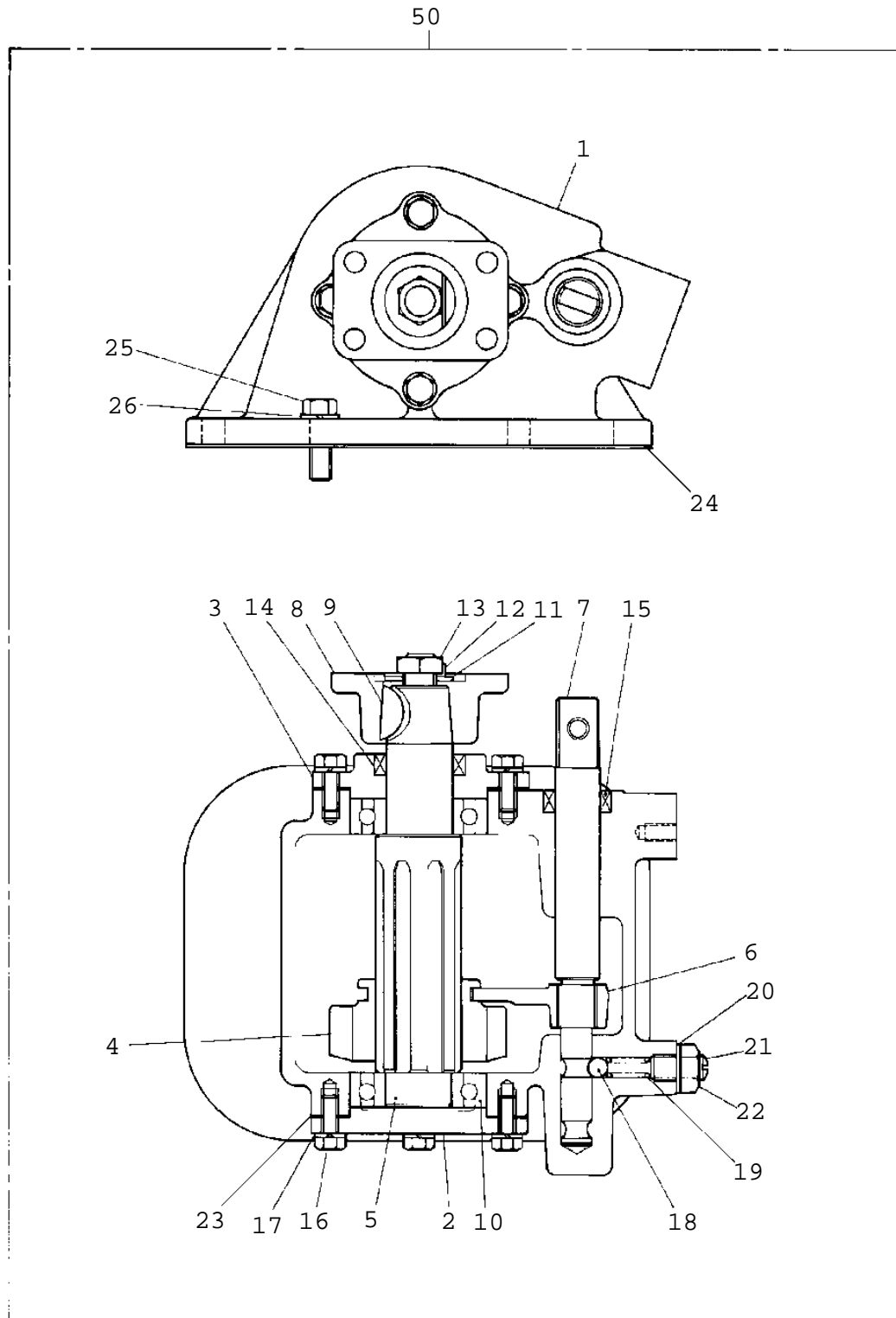
TM-ZF360 41102210360A FRAME/STD,REMOTE-RADIO CONT.,HOOK-IN
PB1030043-02 POWER TAKE OFF



TM-ZF360 41102210360A FRAME/STD,REMOTE-RADIO CONT.,HOOK-IN

Pos No.	Parts No	Parts Name	Qty	Unit	Technical Data	Serial No (Start)	Ser
1	36400395010	CASE	1				
2	36400395020	GEAR	1				
3	36400395030	SHAFT	1				
4	36400395040	GEAR	1				
5	36400395050	SHAFT	1				
6	36400395060	COLLAR (THRUST)	1				
7	36400225110	SHIFTER SET	1				
8	36400095110	PACKING	1				
9	36400095070	COVER (BEARING)	1				
10	36400095080	PACKING (COVER)	1				
11	36400095090	SHIM	N				
12	80500006206	BEARING,BALL	2				
13	36400395070	BEARING	2				
15	91206030005	SEAL,OIL	1				
16	36400095130	WASHER	1				
17	90101206015	BOLT	1		M6X15		
18	90302040801	WASHER,SPRING	7		8		
19	90191208020	BOLT	4		M8X20		
20	90191208014	BOLT	3		M8X14		
21	90191208025	BOLT	2		M8X25		
22	36400395080	PACKING (CASE)	1				
23	36400095150	BOLT,STUD	6		M10X1.25/1.5X43		
24	90267201000	NUT	6		M10		
25	90302041001	WASHER,SPRING	6		10		
28	31790770100	SUPPORT	1				
39	36400225160	SEAL,OIL	1				
50	36400390000	POWER TAKE OFF	1				
100	31791720000	POWER TAKE OFF	1				

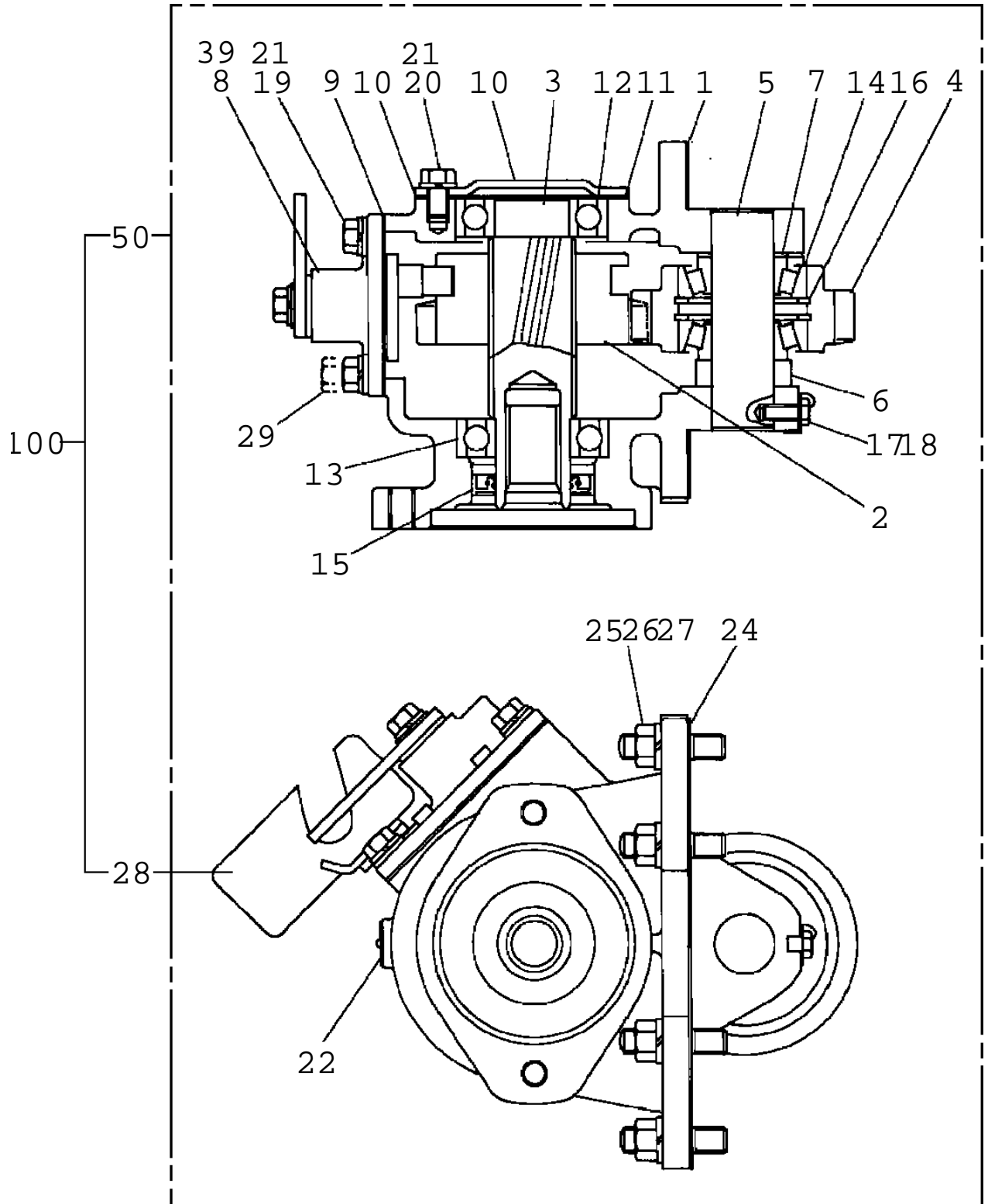
TM-ZF360 41102210360A FRAME/STD,REMOTE-RADIO CONT.,HOOK-IN
PB1030048-00 POWER TAKE OFF



TM-ZF360 41102210360A FRAME/STD,REMOTE-RADIO CONT.,HOOK-IN

Pos No.	Parts No	Parts Name	Qty	Unit	Technical Data	Serial No (Start)	Ser
1	52130202121	CASE	1				
2	52130202320	COVER (BEARING)	1				
3	52130202330	COVER	1				
4	52130202021	GEAR	1				
5	52130202010	SHAFT (OUTPUT)	1				
6	52130202040	FORK (SHIFTER)	1				
7	52130202050	SHAFT (SHIFTER)	1				
8	52130202030	YOKE	1				
9	52430304110	KEY	1				
10	80500006206	BEARING,BALL	2				
11	36400725080	WASHER,PLAIN	1				
12	36400725050	WASHER	1				
13	36400725070	NUT	1		M14		
14	91206030009	SEAL,OIL	1				
15	91206020007	SEAL,OIL	1				
16	90191208020	BOLT	8		M8X20		
17	90302040801	WASHER,SPRING	8		8		
18	80560010000	BALL,STEEL	1		10		
19	52430604190	SPRING	1				
20	52430604180	PACKING	1				
21	52430304150	BOLT (ADJUSTING)	1				
22	90209201200	NUT	1		M12		
23	52130307290	PACKING	2				
24	52130202240	PACKING	2				
25	90191210030	BOLT	6		M10X30		
26	90302041001	WASHER,SPRING	6		10		
50	52130202001	POWER TAKE OFF	1				

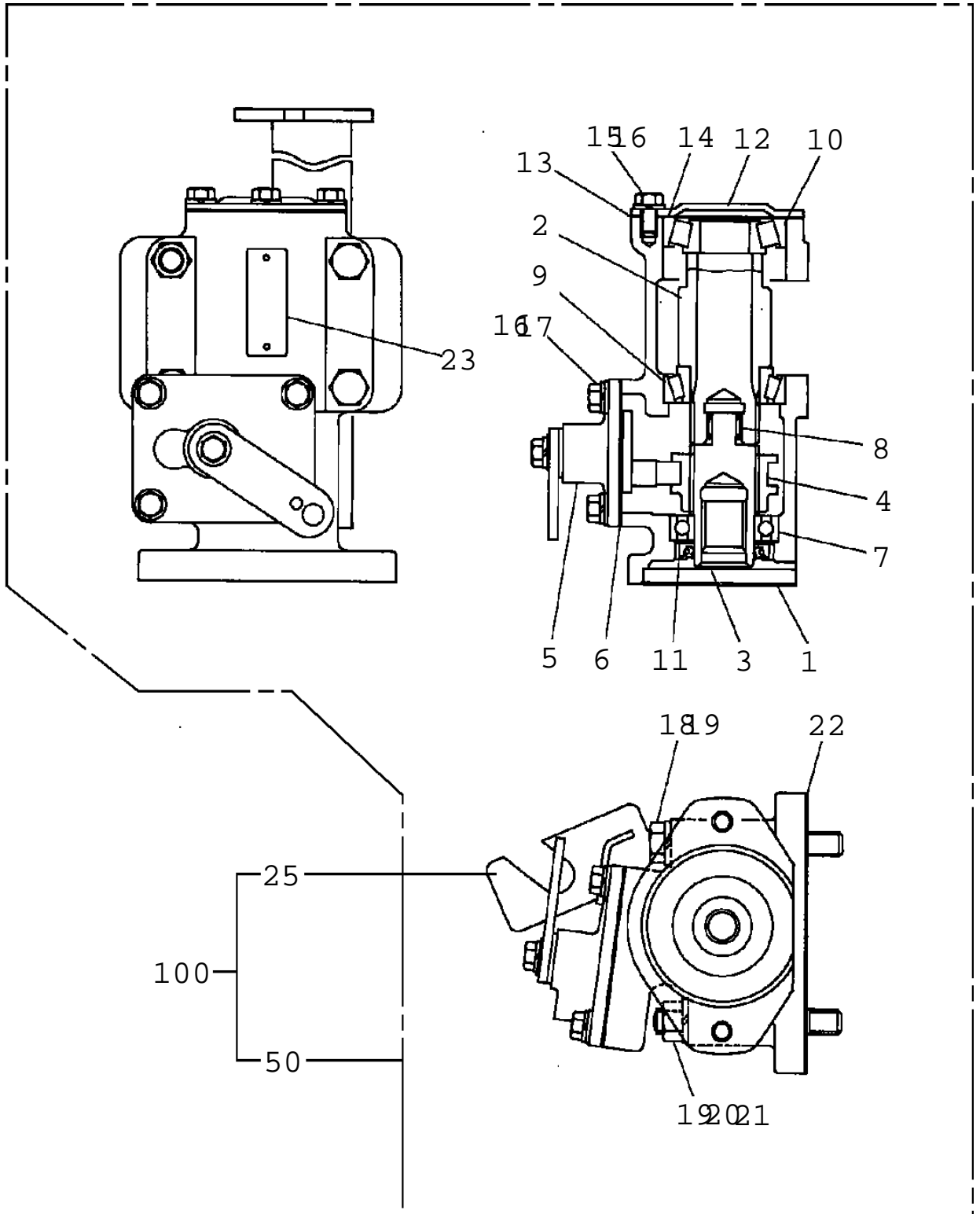
TM-ZF360 41102210360A FRAME/STD,REMOTE-RADIO CONT.,HOOK-IN
PB1030083-02 POWER TAKE OFF



TM-ZF360 41102210360A FRAME/STD,REMOTE-RADIO CONT.,HOOK-IN

Pos No.	Parts No	Parts Name	Qty	Unit	Technical Data	Serial No (Start)	Ser
1	36400715010	CASE	1				
2	36400395020	GEAR	1				
3	36400705010	SHAFT	1				
4	36400675020	GEAR	1				
5	36400395050	SHAFT	1				
6	36400675030	COLLAR	1				
7	36400675040	COLLAR	1				
8	36400225110	SHIFTER SET	1				
9	36400095110	PACKING	1				
10	36400095070	COVER (BEARING)	1				
11	36400095080	PACKING (COVER)	1				
12	36400095090	SHIM	N				
13	80500006206	BEARING,BALL	2				
14	36400675050	BEARING	2				
15	91216035002	SEAL,OIL	1				
16	80602110520	RING,RITAINING	2		R52		
17	36400095130	WASHER	1				
18	90101206015	BOLT	1		M6X15		
19	90191208020	BOLT	4		M8X20		
20	90191208014	BOLT	3		M8X14		
21	90302040801	WASHER,SPRING	7		8		
22	36400705020	PLATE,NAME	1				
24	36400395080	PACKING (CASE)	1				
25	36400095150	BOLT,STUD	6		M10X1.25/1.5X43		
26	90267201000	NUT	6		M10		
27	90302041001	WASHER,SPRING	6		10		
28	31790770100	SUPPORT	1				
29	90191208025	BOLT	2		M8X25		
39	36400225160	SEAL,OIL	1				
50	36400700000	POWER TAKE OFF	1				
100	31791310000	POWER TAKE OFF	1				

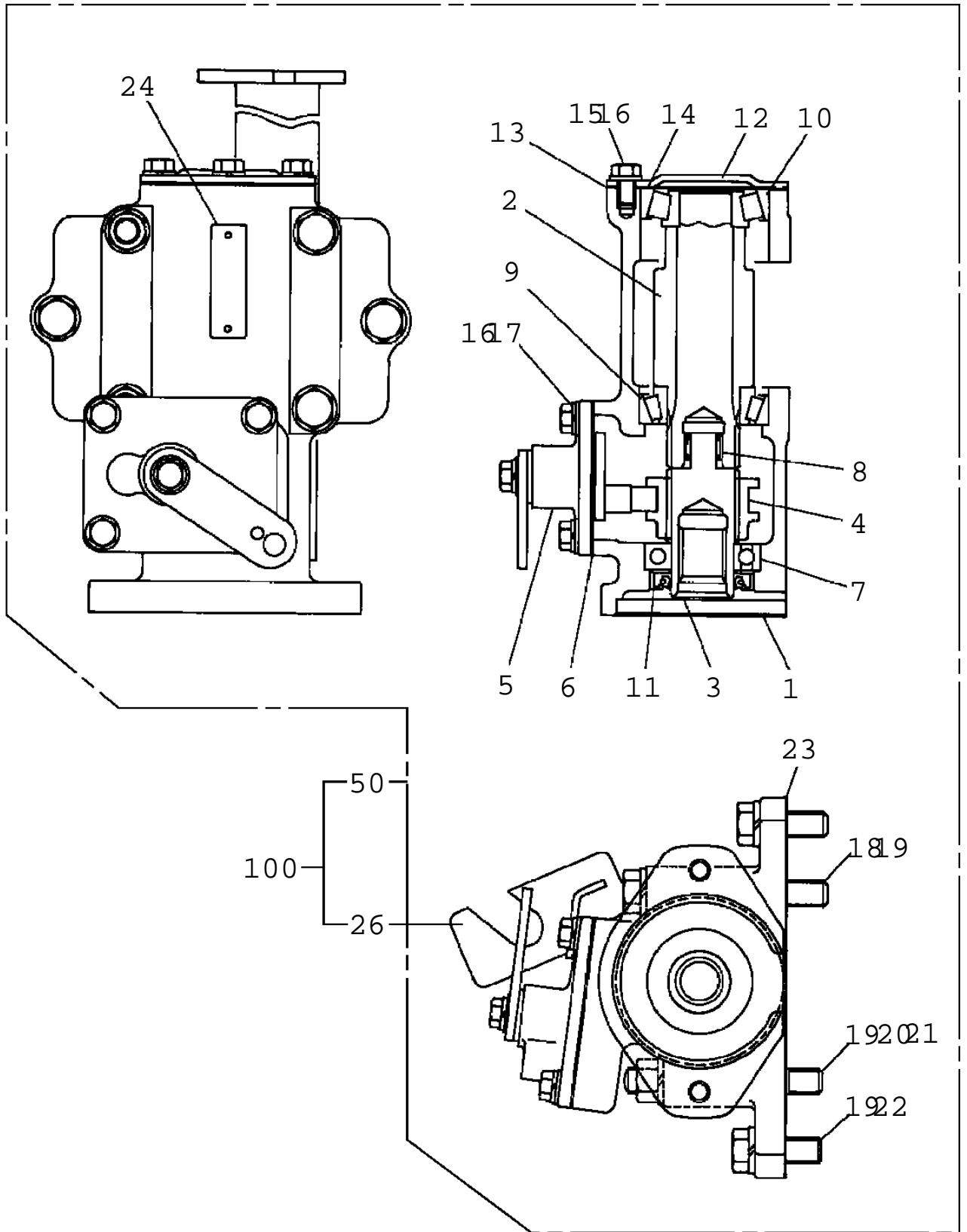
TM-ZF360 41102210360A FRAME/STD,REMOTE-RADIO CONT.,HOOK-IN
PB1030091-01 POWER TAKE OFF



TM-ZF360 41102210360A FRAME/STD,REMOTE-RADIO CONT.,HOOK-IN

Pos No.	Parts No	Parts Name	Qty	Unit	Technical Data	Serial No (Start)	Seri
1	36400785010	CASE	1				
2	36400765020	GEAR	1				
3	36400775010	SHAFT	1				
4	36400765040	SLEEVE	1				
5	36400095100	SHIFTER ASSY	1				
6	36400095110	PACKING	1				
7	80500006006	BEARING,BALL	1				
8	36400765050	BEARING,NEEDLE	1				
9	36400765060	BEARING	1				
10	36400765070	BEARING	1				
11	91206030005	SEAL,OIL	1				
12	36400095070	COVER (BEARING)	1				
13	36400095080	PACKING (COVER)	1				
14	36400095090	SHIM	N				
15	90191208014	BOLT	3		M8X14		
16	90302040801	WASHER,SPRING	7		8		
17	90191208020	BOLT	4		M8X20		
18	90193512090	BOLT	2				
19	90302041201	WASHER,SPRING	4		12		
20	36400785020	BOLT,STUD	2				
21	90267401200	NUT	2				
22	36400765110	PACKING (CASE)	1				
23	36400795010	PLATE,NAME	1				
25	31790680100	SUPPORT	1				
50	36400790000	POWER TAKE OFF	1				
100	31790740000	POWER TAKE OFF	1				

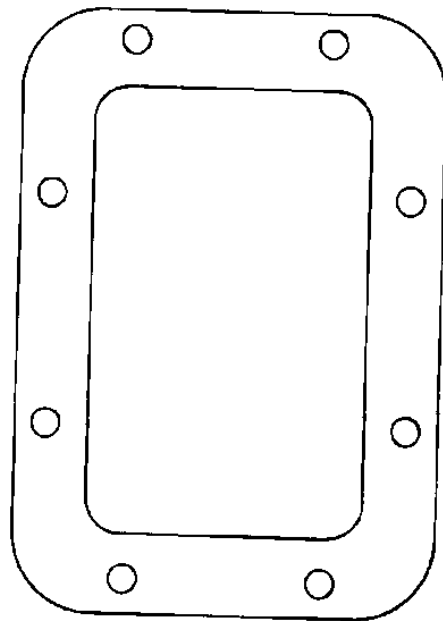
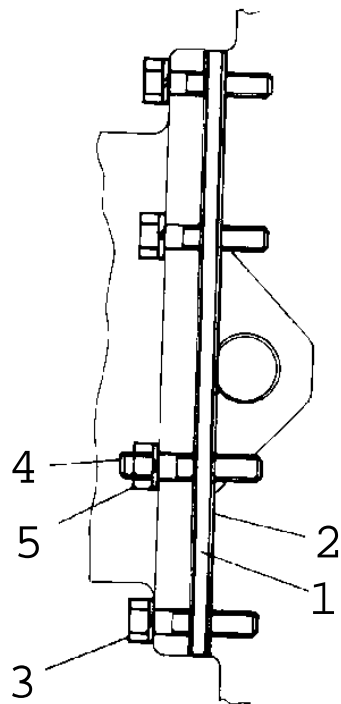
TM-ZF360 41102210360A FRAME/STD,REMOTE-RADIO CONT.,HOOK-IN
PB1030093-01 POWER TAKE OFF



TM-ZF360 41102210360A FRAME/STD,REMOTE-RADIO CONT.,HOOK-IN

Pos No.	Parts No	Parts Name	Qty	Unit	Technical Data	Serial No (Start)	Seri
1	36400805010	CASE	1				
2	36400805020	GEAR	1				
3	36400775010	SHAFT	1				
4	36400765040	SLEEVE	1				
5	36400095100	SHIFTER ASSY	1				
6	36400095110	PACKING	1				
7	80500006006	BEARING,BALL	1				
8	36400765050	BEARING,NEEDLE	1				
9	36400765060	BEARING	1				
10	36400765070	BEARING	1				
11	91206030005	SEAL,OIL	1				
12	36400095070	COVER (BEARING)	1				
13	36400095080	PACKING (COVER)	1				
14	36400095090	SHIM	N				
15	90191208014	BOLT	3		M8X14		
16	90302040801	WASHER,SPRING	7		8		
17	90191208020	BOLT	4		M8X20		
18	90193512090	BOLT	2				
19	90302041201	WASHER,SPRING	6		12		
20	36400785020	BOLT,STUD	2				
21	90264201200	NUT	2		M12		
22	90193512035	BOLT	2		M12X35		
23	36400435090	PACKING (CASE)	1				
24	36400805030	PLATE,NAME	1				
26	31790680100	SUPPORT	1				
50	36400810000	POWER TAKE OFF	1				
100	31790750000	POWER TAKE OFF	1				

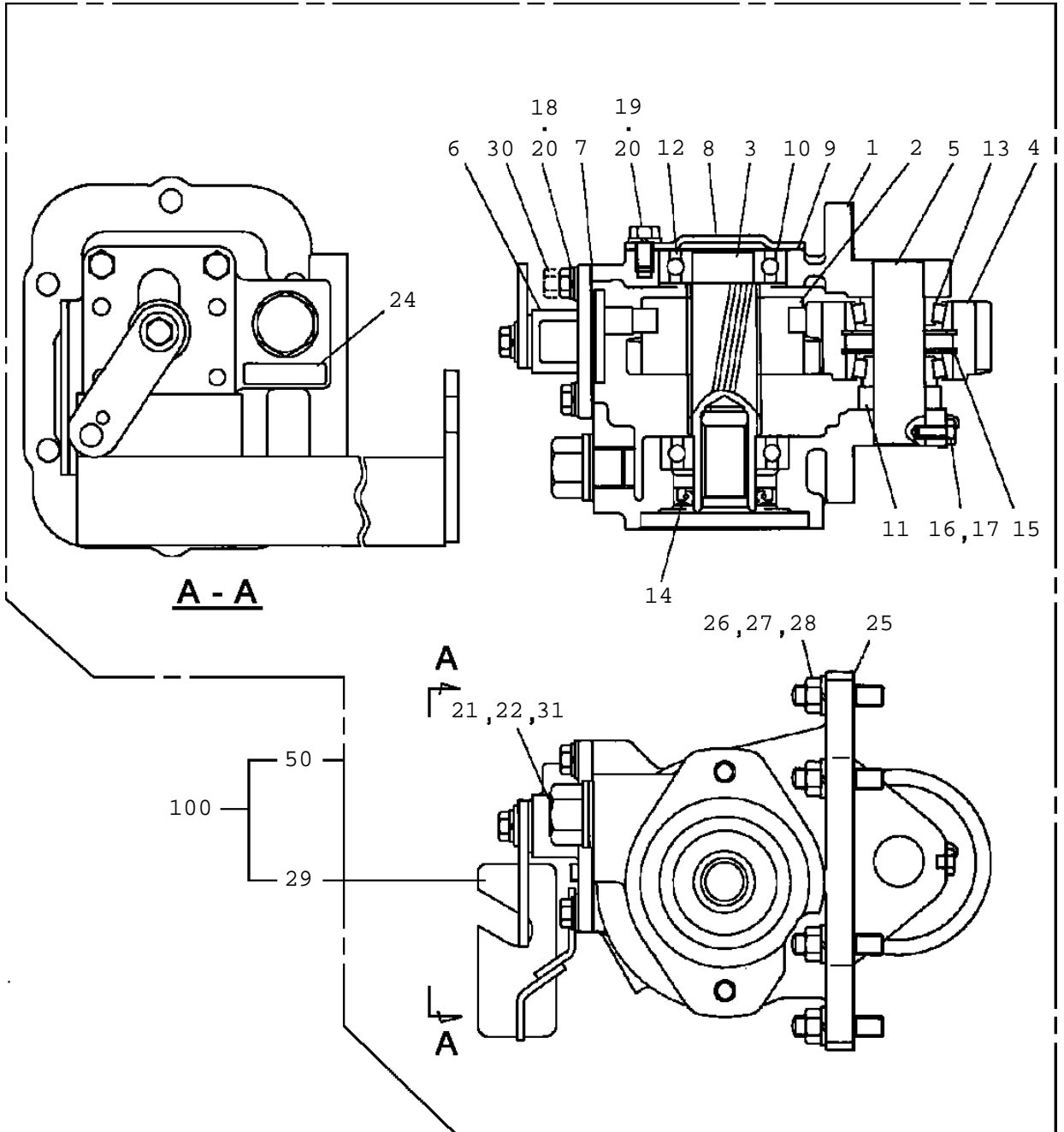
TM-ZF360 41102210360A FRAME/STD,REMOTE-RADIO CONT.,HOOK-IN
PB1030096-00 POWER TAKE OFF (PACKING)



TM-ZF360 41102210360A FRAME/STD,REMOTE-RADIO CONT.,HOOK-IN

Pos No.	Parts No	Parts Name	Qty	Unit	Technical Data	Serial No (Start)	Serial No
1	31790085010	SPACER	1		T=5.458		
2	52430304090	PACKING	1				
3	90191210035	BOLT	7		M10X35		
4	31790085020	BOLT,STUD	1				
5	90264201000	NUT	1		M10		

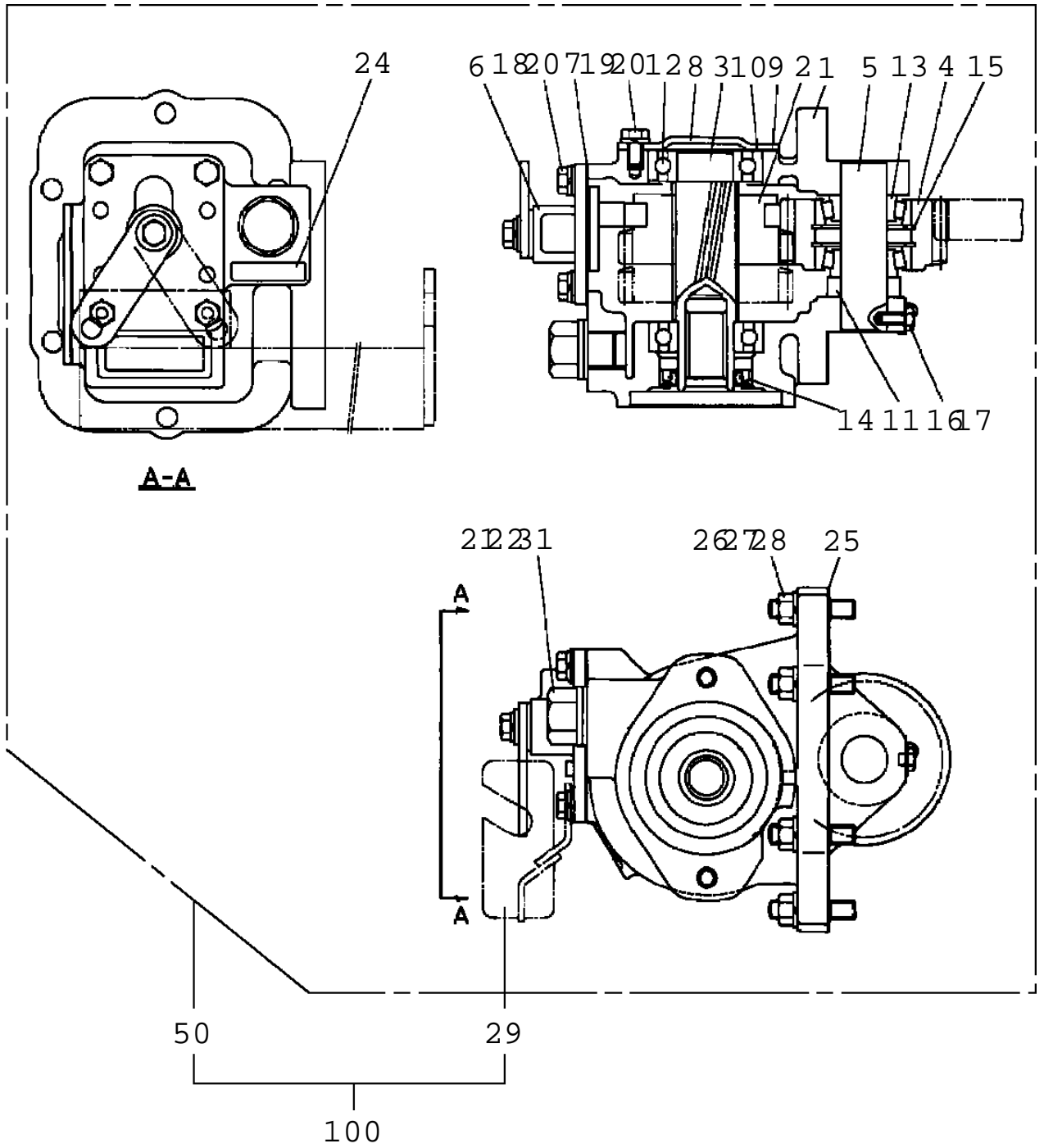
TM-ZF360 41102210360A FRAME/STD,REMOTE-RADIO CONT.,HOOK-IN
PB1030103-04 POWER TAKE OFF



TM-ZF360 41102210360A FRAME/STD,REMOTE-RADIO CONT.,HOOK-IN

Pos No.	Parts No	Parts Name	Qty	Unit	Technical Data	Serial No (Start)	Se
1	36400845060	CASE	1				
2	36400845020	GEAR	1				
3	36400845030	SHAFT	1				
4	36400845040	GEAR	1				
5	36400395050	SHAFT	1				
6	36400095100	SHIFTER ASSY	1				
7	36400095110	PACKING	1				
8	36400095070	COVER (BEARING)	1				
9	36400095080	PACKING (COVER)	1				
10	36400095090	SHIM	1				
11	36400675030	COLLAR	1				
12	80500006206	BEARING,BALL	2				
13	36400675050	BEARING	2				
14	91206030005	SEAL,OIL	1				
15	80602110520	RING,RITAINING	2		R52		
16	36400095130	WASHER	1				
17	90101206015	BOLT	1		M6X15		
18	90191208020	BOLT	4		M8X20		
19	90191208014	BOLT	3		M8X14		
20	90302040801	WASHER,SPRING	7		8		
21	36401025060	PLUG	1				
22	36401025070	WASHER,PLAIN	1				
24	36401025090	PLATE,NAME	1				
25	36401025100	PACKING	1				
26	36400095150	BOLT,STUD	6		M10X1.25/1.5X43		
27	90267201000	NUT	6		M10		
28	90302041001	WASHER,SPRING	6		10		
29	31790770100	SUPPORT	1				
30	90191208025	BOLT	2		M8X25		
31	36401025120	NUT (REINFORCER)	1				
50	36400840000	POWER TAKE OFF	1				
100	31790770000	POWER TAKE OFF	1				

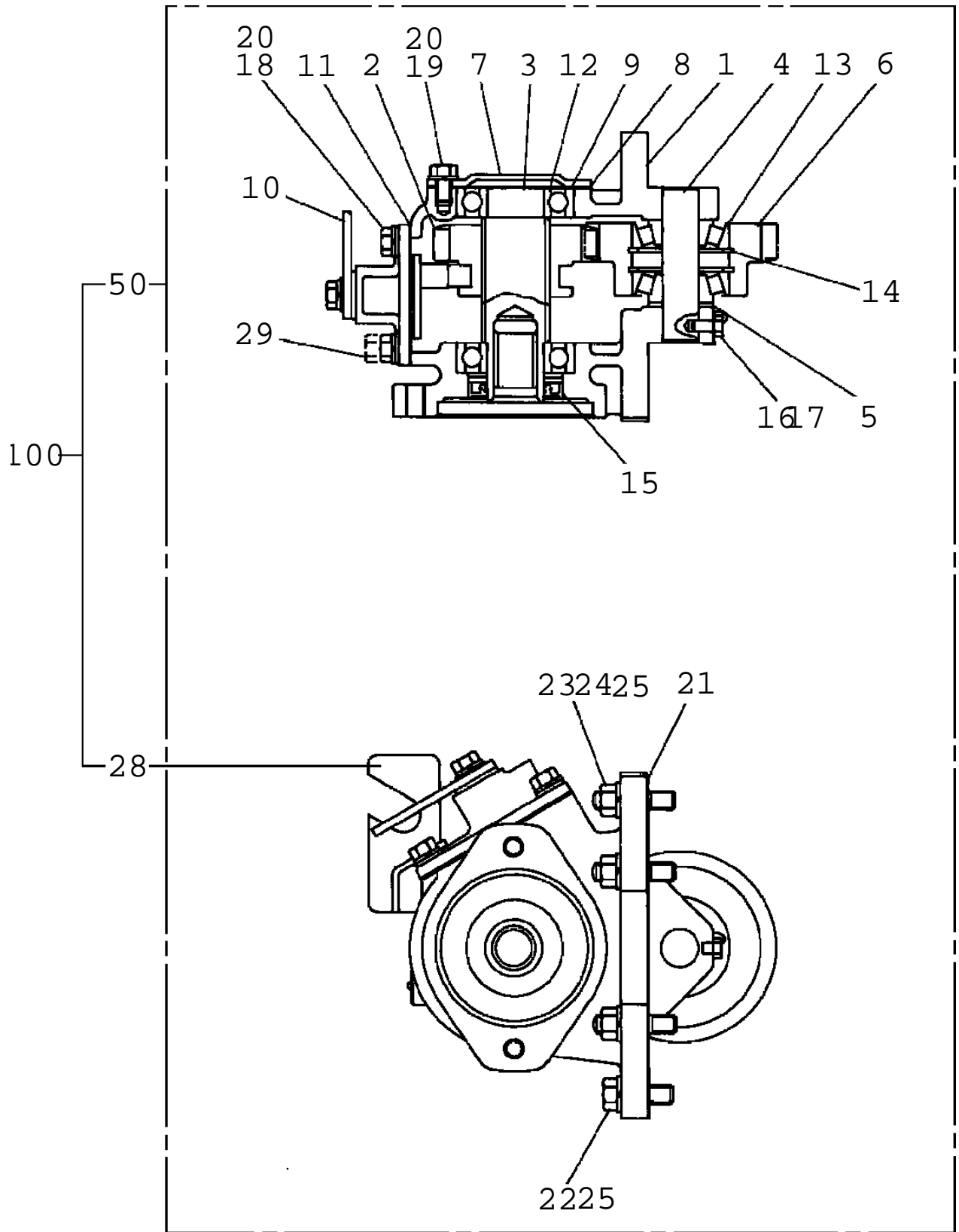
TM-ZF360 41102210360A FRAME/STD,REMOTE-RADIO CONT.,HOOK-IN
PB1030104-01 POWER TAKE OFF



TM-ZF360 41102210360A FRAME/STD,REMOTE-RADIO CONT.,HOOK-IN

Pos No.	Parts No	Parts Name	Qty	Unit	Technical Data	Serial No (Start)	Se
1	36400855030	CASE	1				
2	36400845020	GEAR	1				
3	36400845030	SHAFT	1				
4	36400845040	GEAR	1				
5	36400395050	SHAFT	1				
6	36400095100	SHIFTER ASSY	1				
7	36400095110	PACKING	1				
8	36400095070	COVER (BEARING)	1				
9	36400095080	PACKING (COVER)	1				
10	36400095090	SHIM	1				
11	36400675030	COLLAR	1				
12	80500006206	BEARING,BALL	2				
13	36400675050	BEARING	2				
14	91206030005	SEAL,OIL	1				
15	80602110520	RING,RITAINING	2		R52		
16	36400095130	WASHER	1				
17	90101206015	BOLT	1		M6X15		
18	90191208020	BOLT	4		M8X20		
19	90191208014	BOLT	3		M8X14		
20	90302040801	WASHER,SPRING	7		8		
21	36401025060	PLUG	1				
22	36401025070	WASHER,PLAIN	1				
24	36401025090	PLATE,NAME	1				
25	36401025100	PACKING	1				
26	36401695040	BOLT,STUD	6		M10X1.25/1.5X47		
27	90267201000	NUT	6		M10		
28	90302041001	WASHER,SPRING	6		10		
29	31790770100	SUPPORT	1				
31	36401025120	NUT (REINFORCER)	1				
50	36400850000	POWER TAKE OFF	1				
100	31790780000	POWER TAKE OFF	1				

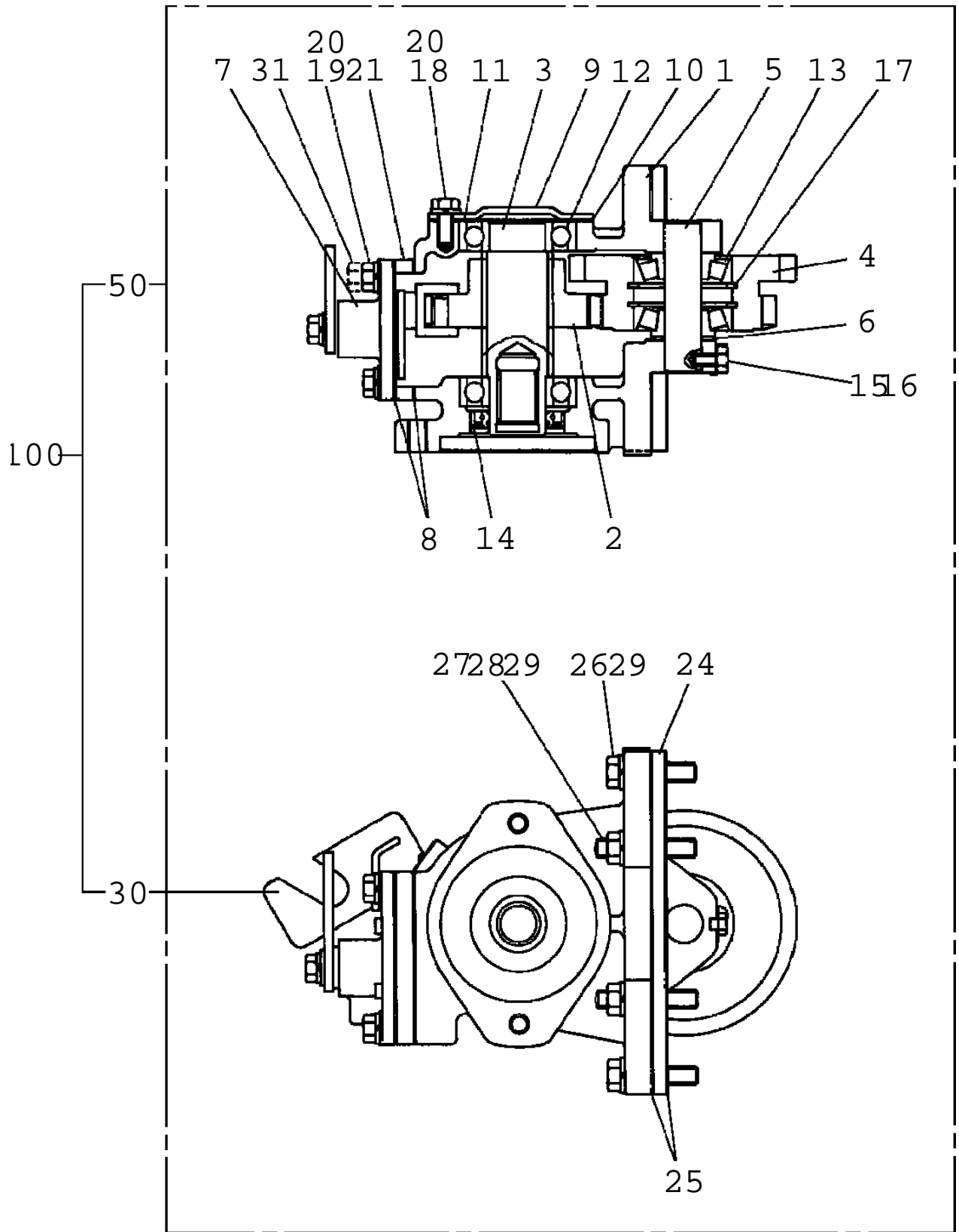
TM-ZF360 41102210360A FRAME/STD,REMOTE-RADIO CONT.,HOOK-IN
PB1030105-01 POWER TAKE OFF



TM-ZF360 41102210360A FRAME/STD,REMOTE-RADIO CONT.,HOOK-IN

Pos No.	Parts No	Parts Name	Qty	Unit	Technical Data	Serial No (Start)	Ser
1	36400865010	CASE	1				
2	36400865020	GEAR	1				
3	36400865030	SHAFT	1				
4	36400095040	SHAFT	1				
5	36400095050	COLLAR	1				
6	36400865040	GEAR	1				
7	36400095070	COVER (BEARING)	1				
8	36400095080	PACKING (COVER)	1				
9	36400095090	SHIM	1				
10	36400095100	SHIFTER ASSY	1				
11	36400095110	PACKING	1				
12	80500006206	BEARING,BALL	2				
13	36400095120	BEARING	2				
14	80602110520	RING,RITAINING	2		R52		
15	91206030005	SEAL,OIL	1				
16	90101206012	BOLT	1		M6X12		
17	36400095130	WASHER	1				
18	90191208020	BOLT	4		M8X20		
19	90191208014	BOLT	3		M8X14		
20	90302040801	WASHER,SPRING	7		8		
21	36400335030	SHIM	1				
22	90191210030	BOLT	4		M10X30		
23	36400095150	BOLT,STUD	4		M10X1.25/1.5X43		
24	90267201000	NUT	4		M10		
25	90302041001	WASHER,SPRING	8		10		
28	31790670100	SUPPORT	1				
29	90191208025	BOLT	2		M8X25		
50	36400860000	POWER TAKE OFF	1				
100	31791360000	POWER TAKE OFF	1				

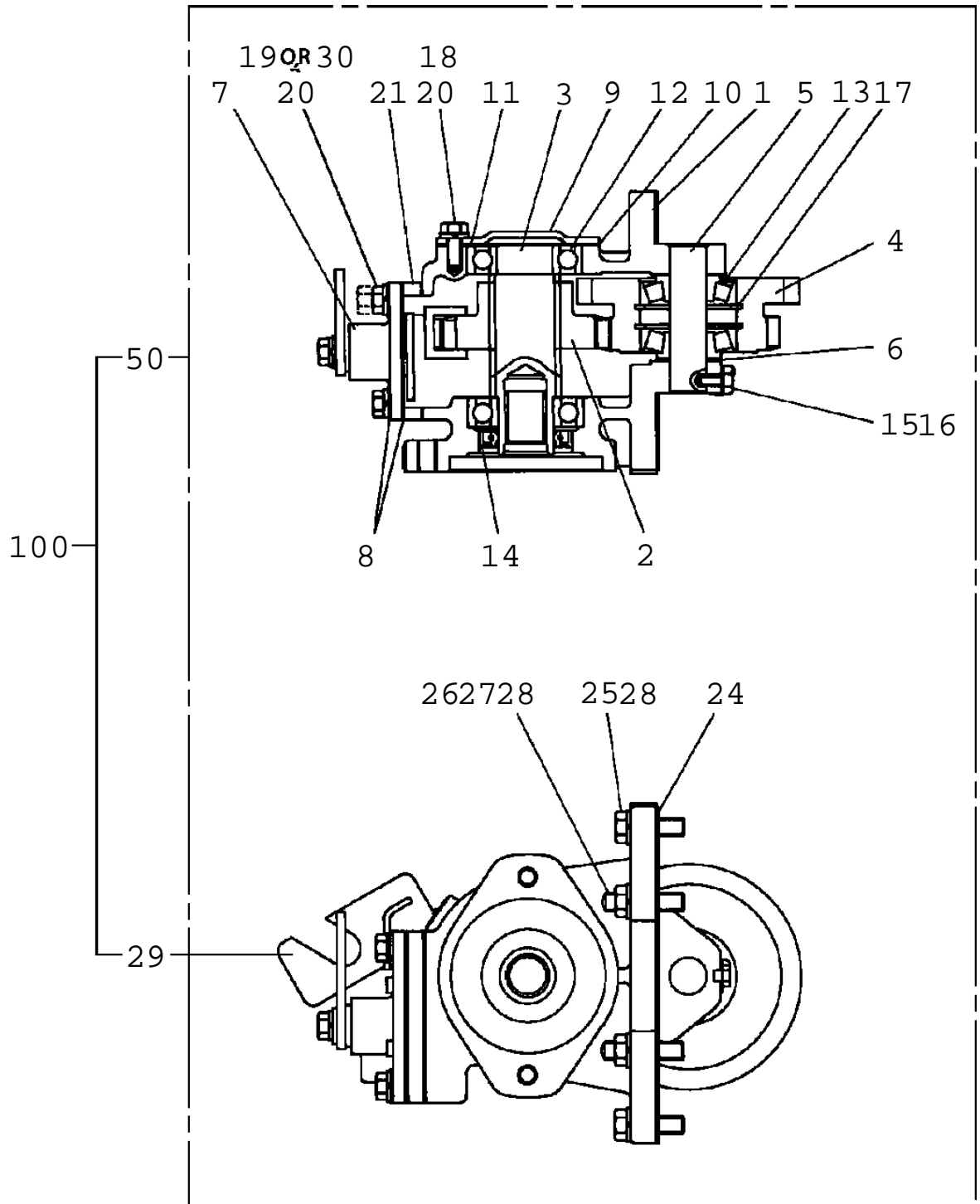
TM-ZF360 41102210360A FRAME/STD,REMOTE-RADIO CONT.,HOOK-IN
PB1030106-01 POWER TAKE OFF



TM-ZF360 41102210360A FRAME/STD,REMOTE-RADIO CONT.,HOOK-IN

Pos No.	Parts No	Parts Name	Qty	Unit	Technical Data	Serial No (Start)	Seri
1	36400875010	CASE	1				
2	36400875020	GEAR	1				
3	36400875030	SHAFT	1				
4	36400875040	GEAR	1				
5	36400095040	SHAFT	1				
6	36400095050	COLLAR	1				
7	36400875050	SHIFTER SET	1				
8	36400095110	PACKING	2				
9	36400095070	COVER (BEARING)	1				
10	36400095080	PACKING (COVER)	1				
11	36400095090	SHIM	1				
12	80500006206	BEARING,BALL	2				
13	36400095120	BEARING	2				
14	91206030005	SEAL,OIL	1				
15	36400095130	WASHER	1				
16	90101206012	BOLT	1		M6X12		
17	80602110520	RING,RITAINING	2		R52		
18	90191208014	BOLT	3		M8X14		
19	90191208030	BOLT	4		M8X30		
20	90302040801	WASHER,SPRING	7		8		
21	36400285080	SPACER	1				
24	36400345010	SPACER	1				
25	36400335030	SHIM	1				
26	90191210040	BOLT	4		M10X40		
27	36400285060	BOLT	4				
28	90267201000	NUT	4		M10		
29	90302041001	WASHER,SPRING	8		10		
30	31790680100	SUPPORT	1				
31	90191208035	BOLT	2		M8X35		
50	36400870000	POWER TAKE OFF	1				
100	31791550000	POWER TAKE OFF	1				

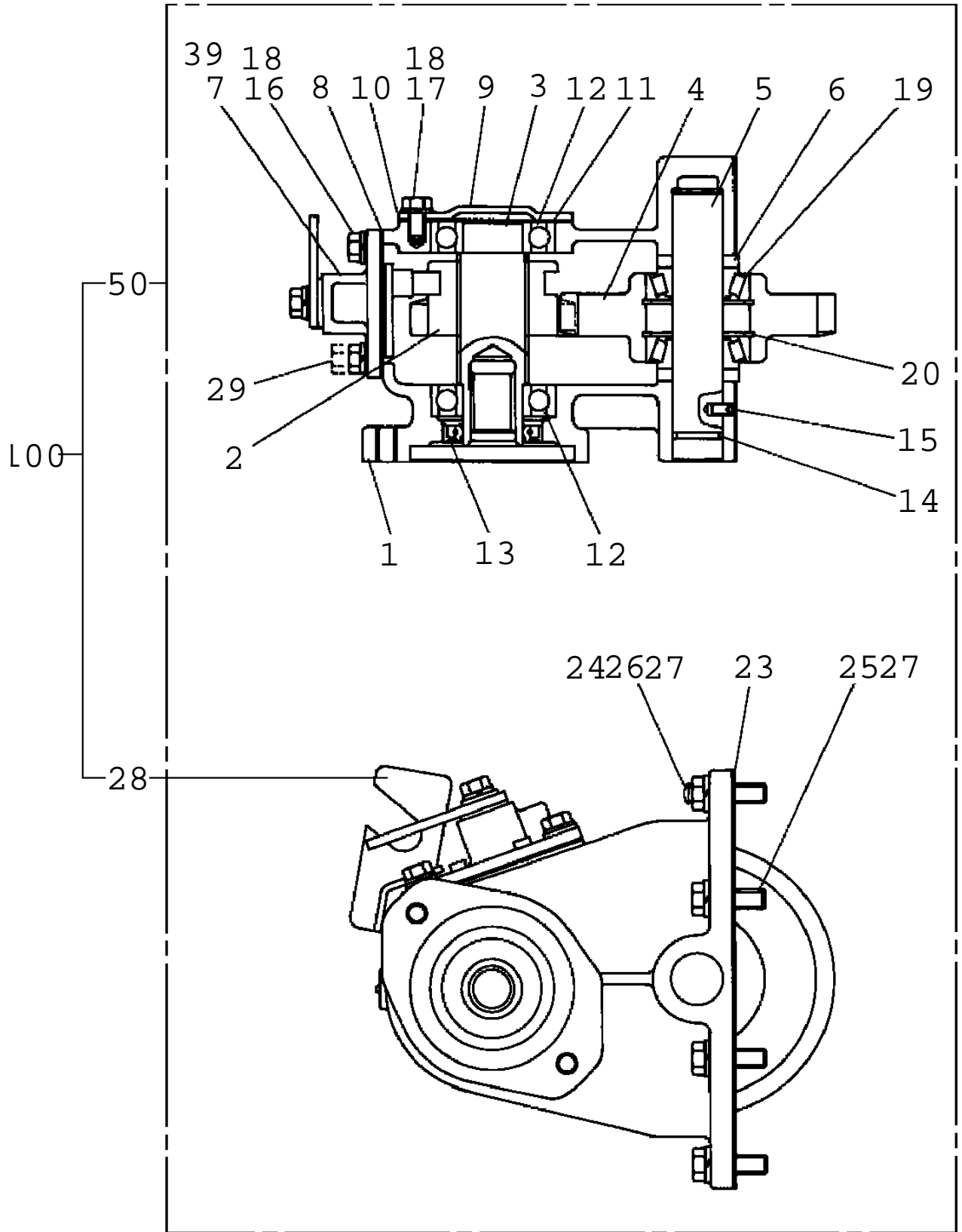
TM-ZF360 41102210360A FRAME/STD,REMOTE-RADIO CONT.,HOOK-IN
PB1030107-02 POWER TAKE OFF



TM-ZF360 41102210360A FRAME/STD,REMOTE-RADIO CONT.,HOOK-IN

Pos No.	Parts No	Parts Name	Qty	Unit	Technical Data	Serial No (Start)	Ser
1	36400875010	CASE	1				
2	36400875020	GEAR	1				
3	36400875030	SHAFT	1				
4	36400885010	GEAR	1				
5	36400095040	SHAFT	1				
6	36400095050	COLLAR	1				
7	36400875050	SHIFTER SET	1				
8	36400095110	PACKING	2				
9	36400095070	COVER (BEARING)	1				
10	36400095080	PACKING (COVER)	1				
11	36400095090	SHIM	1				
12	80500006206	BEARING,BALL	2				
13	36400095120	BEARING	2				
14	91206030005	SEAL,OIL	1				
15	36400095130	WASHER	1				
16	90101206012	BOLT	1		M6X12		
17	80602110520	RING,RITAINING	2		R52		
18	90191208014	BOLT	3		M8X14		
19	90191208030	BOLT	4		M8X30		
20	90302040801	WASHER,SPRING	7		8		
21	36400285080	SPACER	1				
24	36400095140	PACKING (CASE)	1				
25	90191210030	BOLT	4		M10X30		
26	36400095150	BOLT,STUD	4		M10X1.25/1.5X43		
27	90267201000	NUT	4		M10		
28	90302041001	WASHER,SPRING	8		10		
29	31790680100	SUPPORT	1				
30	90191208035	BOLT	2		M8X35		
50	36400880000	POWER TAKE OFF	1				
100	31791560000	POWER TAKE OFF	1				

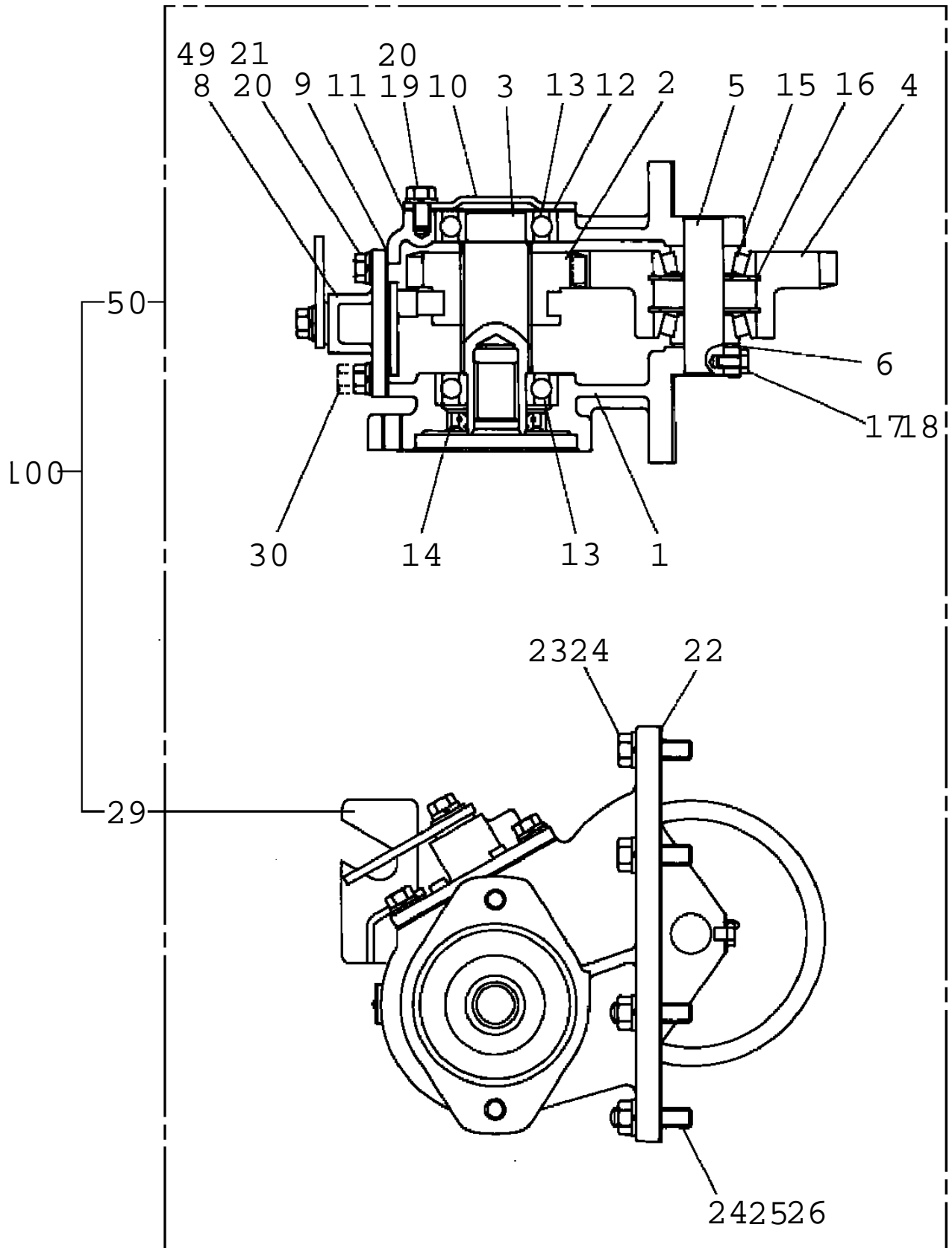
TM-ZF360 41102210360A FRAME/STD,REMOTE-RADIO CONT.,HOOK-IN
PB1030108-02 POWER TAKE OFF



TM-ZF360 41102210360A FRAME/STD,REMOTE-RADIO CONT.,HOOK-IN

Pos No.	Parts No	Parts Name	Qty	Unit	Technical Data	Serial No (Start)	Ser
1	36400895010	CASE	1				
2	36400895020	GEAR	1				
3	36400895030	SHAFT	1				
4	36400895040	GEAR	1				
5	36400415050	SHAFT	1				
6	36400215070	COLLAR	2				
7	36400225110	SHIFTER SET	1				
8	36400095110	PACKING	1				
9	36400095070	COVER (BEARING)	1				
10	36400095080	PACKING (COVER)	1				
11	36400095090	SHIM	1				
12	80500006206	BEARING,BALL	2				
13	91206030005	SEAL,OIL	1				
14	91001102100	O-RING	1		1A P21		
15	90710006120	SCREW,SET	1		M6X12		
16	90191208020	BOLT	4		M8X20		
17	90191208014	BOLT	3		M8X14		
18	90302040801	WASHER,SPRING	7		8		
19	36400675050	BEARING	2				
20	80602110520	RING,RITAINING	2		R52		
23	36400415100	PACKING (CASE)	1				
24	36400095150	BOLT,STUD	2		M10X1.25/1.5X43		
25	90191210030	BOLT	6		M10X30		
26	90267201000	NUT	2		M10		
27	90302041001	WASHER,SPRING	8		10		
28	31790670100	SUPPORT	1				
29	90191208025	BOLT	2		M8X25		
39	36400225160	SEAL,OIL	1				
50	36400890000	POWER TAKE OFF	1				
100	31791370000	POWER TAKE OFF	1				

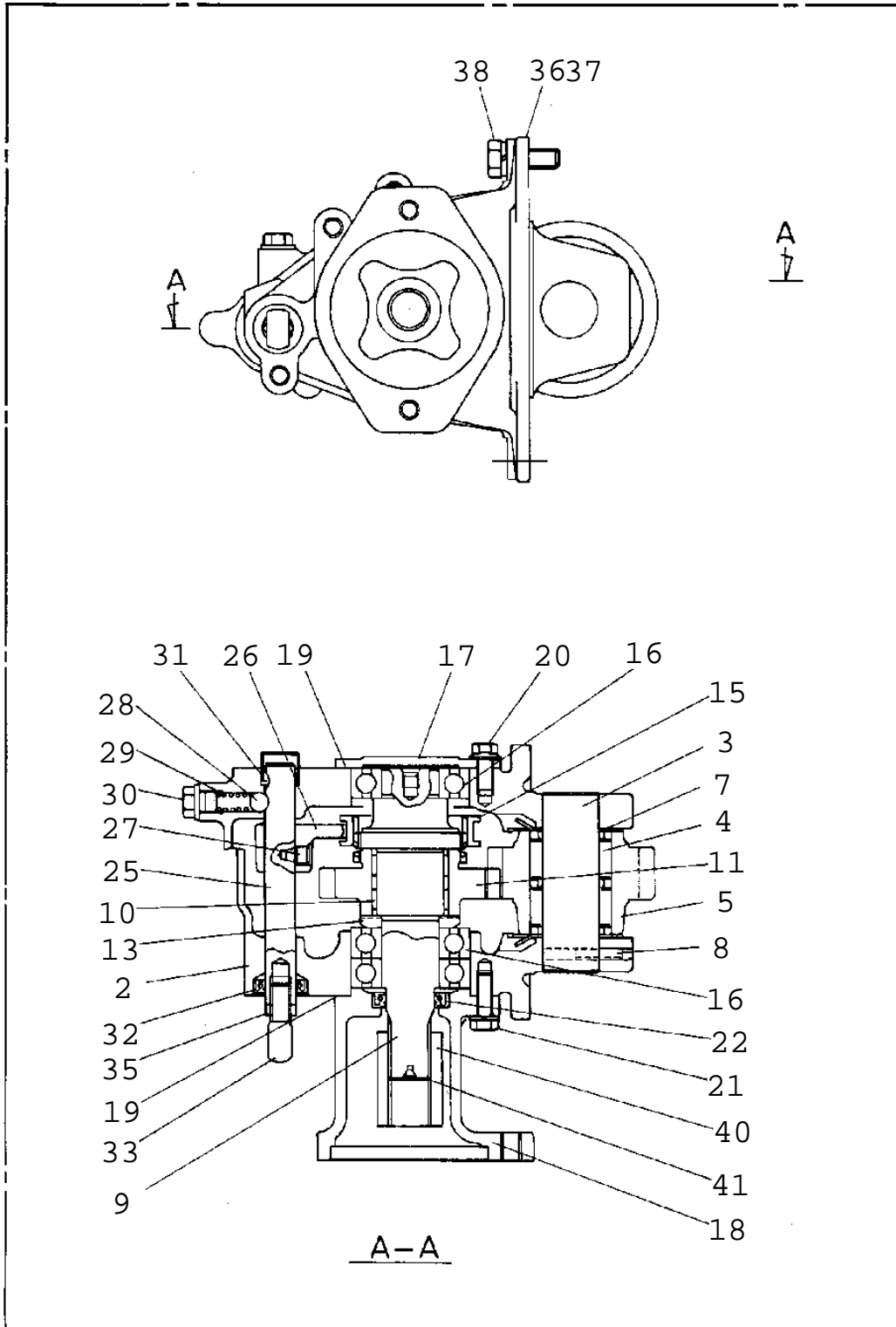
TM-ZF360 41102210360A FRAME/STD,REMOTE-RADIO CONT.,HOOK-IN
PB1030109-02 POWER TAKE OFF



TM-ZF360 41102210360A FRAME/STD,REMOTE-RADIO CONT.,HOOK-IN

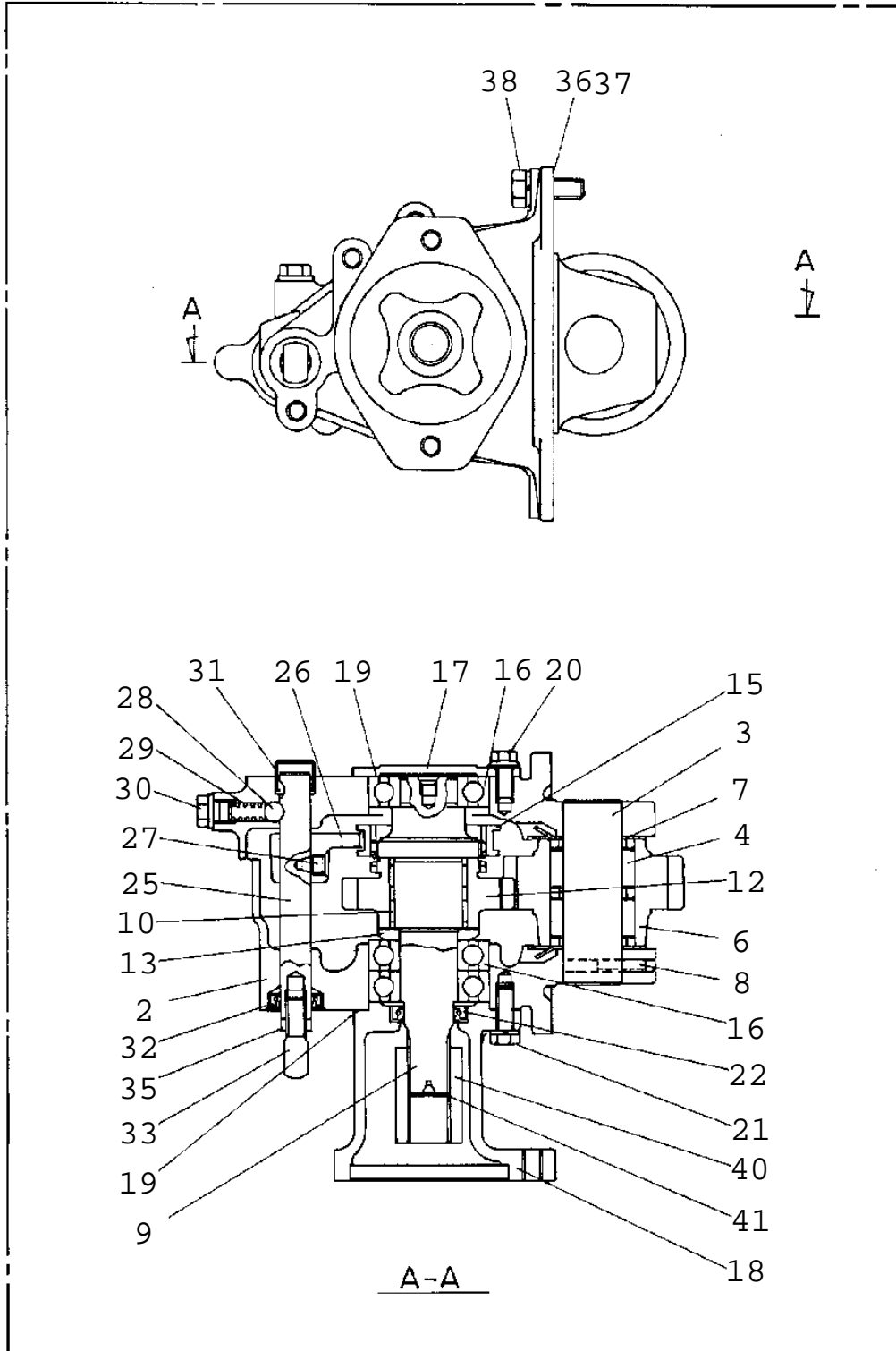
Pos No.	Parts No	Parts Name	Qty	Unit	Technical Data	Serial No (Start)	Ser
1	36400905010	CASE	1				
2	36400905020	GEAR	1				
3	36400865030	SHAFT	1				
4	36400905030	GEAR	1				
5	36400095040	SHAFT	1				
6	36400095050	COLLAR	1				
8	36400225110	SHIFTER SET	1				
9	36400095110	PACKING	1				
10	36400095070	COVER (BEARING)	1				
11	36400095080	PACKING (COVER)	1				
12	36400095090	SHIM	1				
13	80500006206	BEARING,BALL	2				
14	91206030005	SEAL,OIL	1				
15	36400095120	BEARING	2				
16	80602110520	RING,RITAINING	2		R52		
17	36400095130	WASHER	1				
18	90101206012	BOLT	1		M6X12		
19	90191208014	BOLT	3		M8X14		
20	90302040801	WASHER,SPRING	7		8		
21	90191208020	BOLT	4		M8X20		
22	36400415100	PACKING (CASE)	1				
23	90191210030	BOLT	4		M10X30		
24	90302041001	WASHER,SPRING	8		10		
25	36400095150	BOLT,STUD	4		M10X1.25/1.5X43		
26	90267201000	NUT	4		M10		
29	31790670100	SUPPORT	1				
30	90191208025	BOLT	2		M8X25		
49	36400225160	SEAL,OIL	1				
50	36400900000	POWER TAKE OFF	1				
100	31791380000	POWER TAKE OFF	1				

TM-ZF360 41102210360A FRAME/STD,REMOTE-RADIO CONT.,HOOK-IN
PB1030111-00 POWER TAKE OFF



TM-ZF360 41102210360A FRAME/STD,REMOTE-RADIO CONT.,HOOK-IN

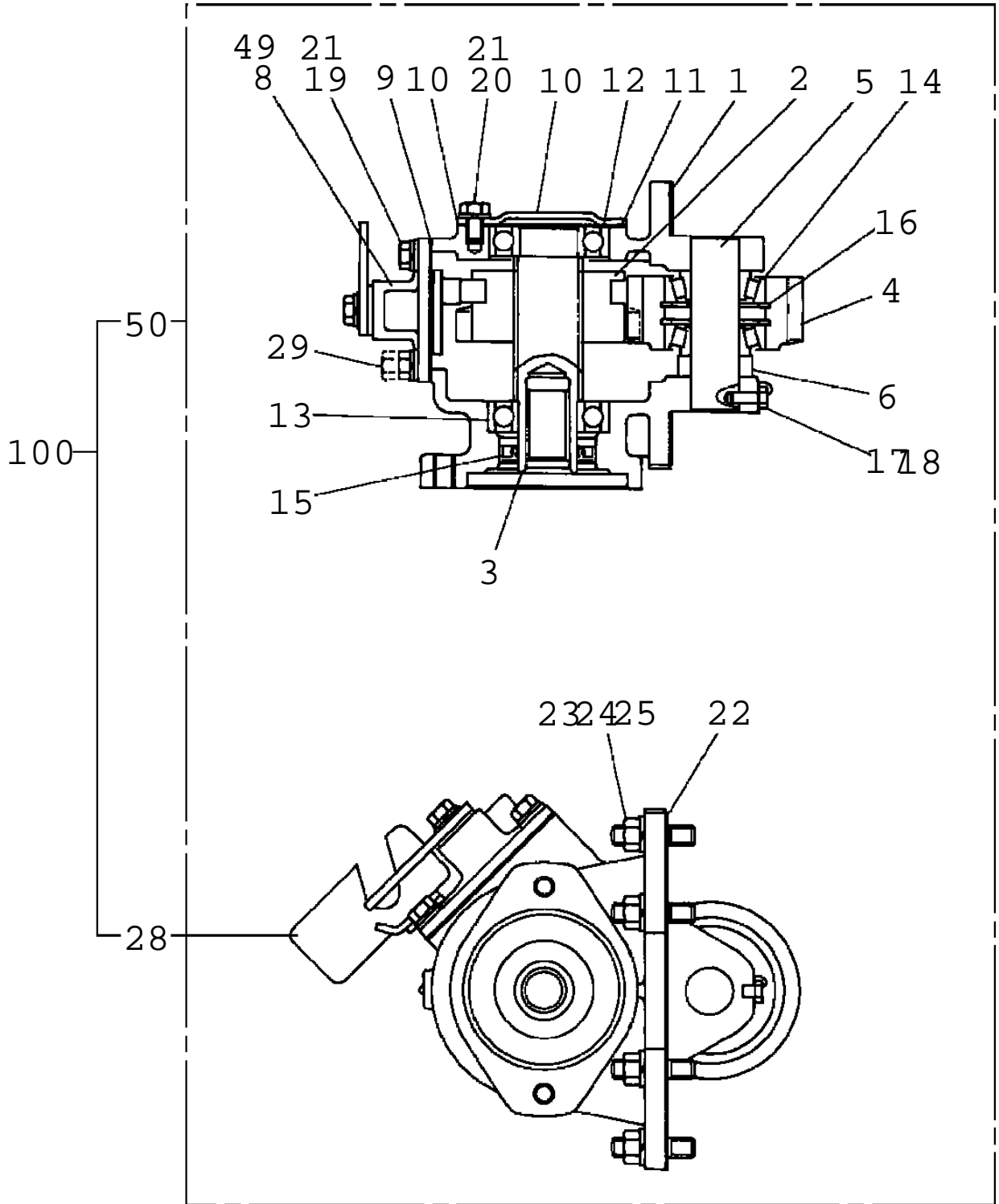
Pos No.	Parts No	Parts Name	Qty	Unit	Technical Data	Serial No (Start
2	51630103010	CASE (P.T.O)	1			
3	51630103020	SHAFT (POWER TAKE OFF)	1			
4	51630103030	BEARING,NEEDLE	1			
5	36400945010	GEAR	1			
7	51630103050	WASHER	2			
8	51630103060	PIN,SPRING	1			
9	36400955020	SHAFT (OUTPUT)	1			
10	51630103080	BEARING,NEEDLE	2			
11	51630104020	GEAR	1			
13	51630103100	WASHER	1			
15	51630103110	SLEEVE	1			
16	80500006206	BEARING,BALL	3			
17	52630106230	COVER (FRONT)	1			
18	36400955030	ADAPTER	1			
19	51630103140	GASKET	2			
20	51630103150	BOLT	4			
21	36400955040	BOLT	4		M8X25X1.25	
22	36400955050	SEAL,OIL	1			
25	51630103170	SHAFT	1			
26	51630103180	FORK	1			
27	51630103190	BOLT	1			
28	52630106200	BALL,STEEL	1			
30	51630103200	PLUG	1			
31	51630103210	PLUG	1			
32	51630103220	SEAL,OIL	1			
33	51630103230	BOLT	1			
35	51630103240	NUT	1			
36	51630103250	GASKET	1			
37	51630103260	GASKET	1			
38	36400315040	BOLT	6			
40	36400955060	COUPLING	1			
41	36400955070	RING,STOP	1			
50	36400940000	POWER TAKE OFF	1			



TM-ZF360 41102210360A FRAME/STD,REMOTE-RADIO CONT.,HOOK-IN

Pos No.	Parts No	Parts Name	Qty	Unit	Technical Data	Serial No (Start
2	51630103010	CASE (P.T.O)	1			
3	51630103020	SHAFT (POWER TAKE OFF)	1			
4	51630103030	BEARING,NEEDLE	1			
6	36400955010	GEAR	1			
7	51630103050	WASHER	2			
8	51630103060	PIN,SPRING	1			
9	36400955020	SHAFT (OUTPUT)	1			
10	51630103080	BEARING,NEEDLE	2			
12	51630103090	GEAR,OUTPUT	1			
13	51630103100	WASHER	1			
15	51630103110	SLEEVE	1			
16	80500006206	BEARING,BALL	3			
17	52630106230	COVER (FRONT)	1			
18	36400955030	ADAPTER	1			
19	51630103140	GASKET	2			
20	51630103150	BOLT	4			
21	36400955040	BOLT	4		M8X25X1.25	
22	36400955050	SEAL,OIL	1			
25	51630103170	SHAFT	1			
26	51630103180	FORK	1			
27	51630103190	BOLT	1			
28	52630106200	BALL,STEEL	1			
29	52630106190	SPRING	1			
30	51630103200	PLUG	1			
31	51630103210	PLUG	1			
32	51630103220	SEAL,OIL	1			
33	51630103230	BOLT	1			
35	51630103240	NUT	1			
36	51630103250	GASKET	1			
37	51630103260	GASKET	1			
38	36400315040	BOLT	6			
40	36400955060	COUPLING	1			
41	36400955070	RING,STOP	1			
50	36400950000	POWER TAKE OFF	1			

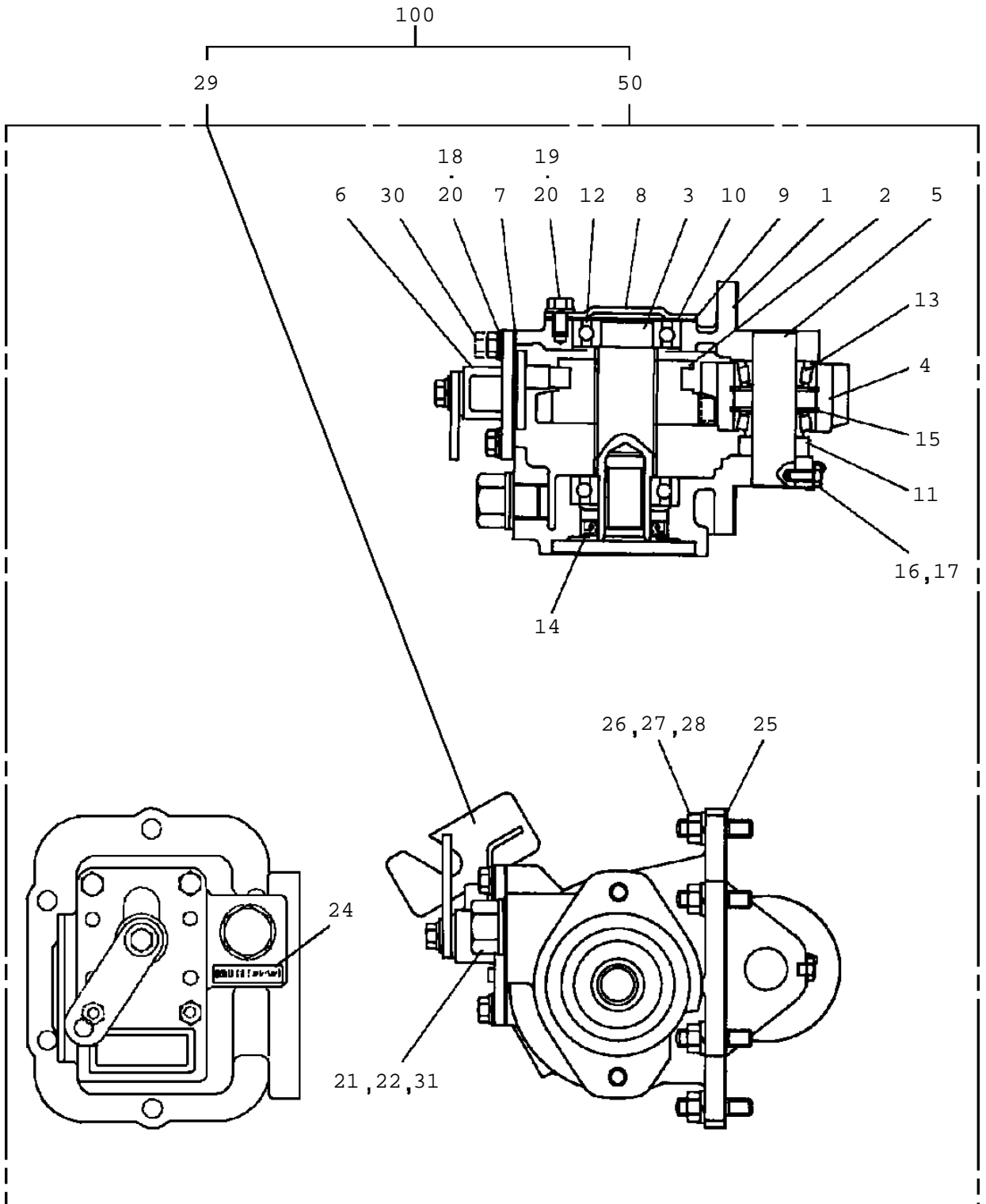
TM-ZF360 41102210360A FRAME/STD,REMOTE-RADIO CONT.,HOOK-IN
PB1030113-02 POWER TAKE OFF



TM-ZF360 41102210360A FRAME/STD,REMOTE-RADIO CONT.,HOOK-IN

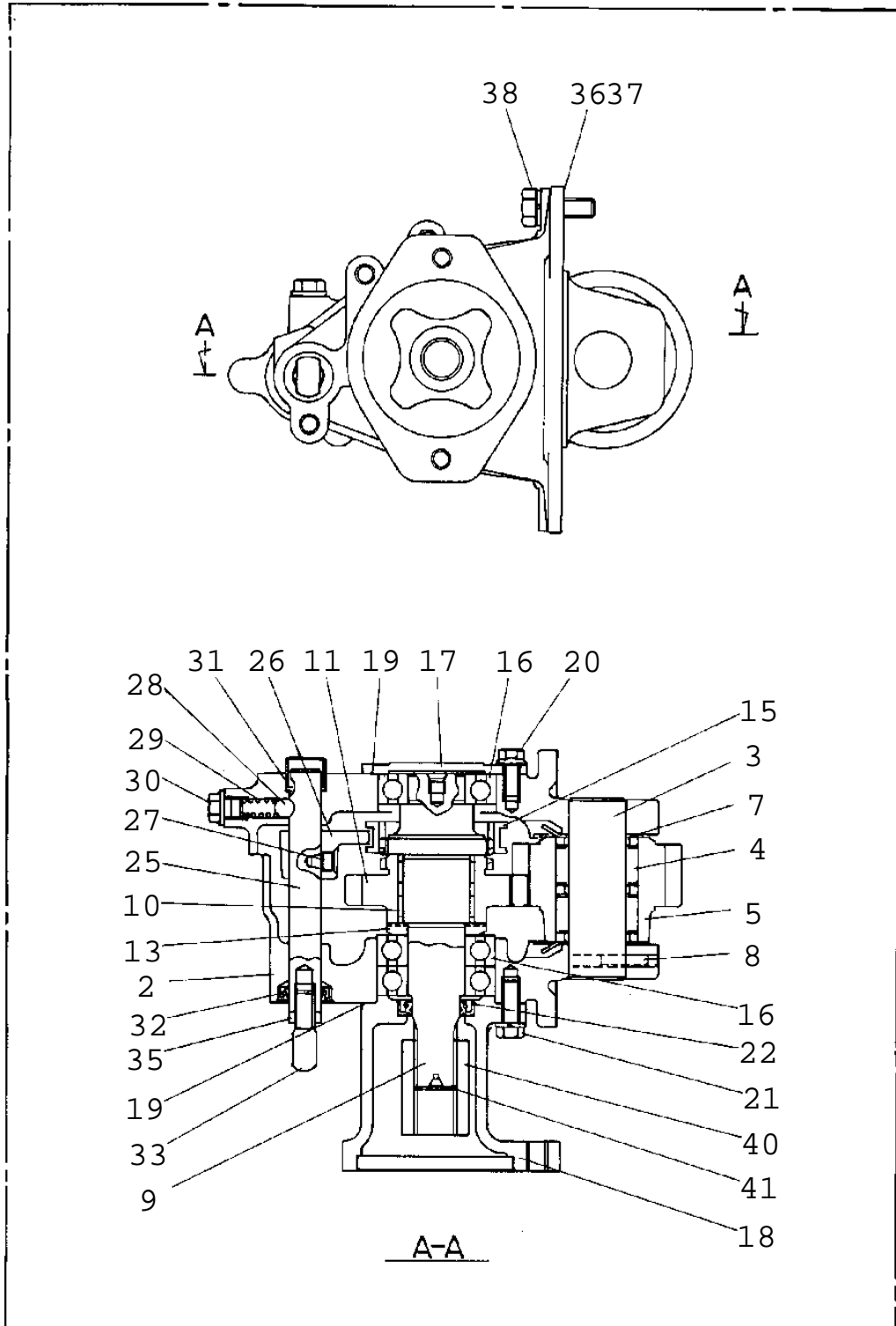
Pos No.	Parts No	Parts Name	Qty	Unit	Technical Data	Serial No (Start)	Ser
1	36401015010	CASE	1				
2	36400845020	GEAR	1				
3	36400845030	SHAFT	1				
4	36400845040	GEAR	1				
5	36400395050	SHAFT	1				
6	36400675030	COLLAR	1				
8	36400225110	SHIFTER SET	1				
9	36400095110	PACKING	1				
10	36400095070	COVER (BEARING)	1				
11	36400095080	PACKING (COVER)	1				
12	36400095090	SHIM	1				
13	80500006206	BEARING,BALL	2				
14	36400675050	BEARING	2				
15	91216035002	SEAL,OIL	1				
16	80602110520	RING,RITAINING	2		R52		
17	36400095130	WASHER	1				
18	90101206015	BOLT	1		M6X15		
19	90191208020	BOLT	4		M8X20		
20	90191208014	BOLT	3		M8X14		
21	90302040801	WASHER,SPRING	7		8		
22	36400395080	PACKING (CASE)	1				
23	36400095150	BOLT,STUD	6		M10X1.25/1.5X43		
24	90267201000	NUT	6		M10		
25	90302041001	WASHER,SPRING	6		10		
28	31790770100	SUPPORT	1				
29	90191208025	BOLT	2		M8X25		
49	36400225160	SEAL,OIL	1				
50	36401010000	POWER TAKE OFF	1				
100	31791960000	POWER TAKE OFF	1				

TM-ZF360 41102210360A FRAME/STD,REMOTE-RADIO CONT.,HOOK-IN
PB1030114-03 POWER TAKE OFF



TM-ZF360 41102210360A FRAME/STD,REMOTE-RADIO CONT.,HOOK-IN

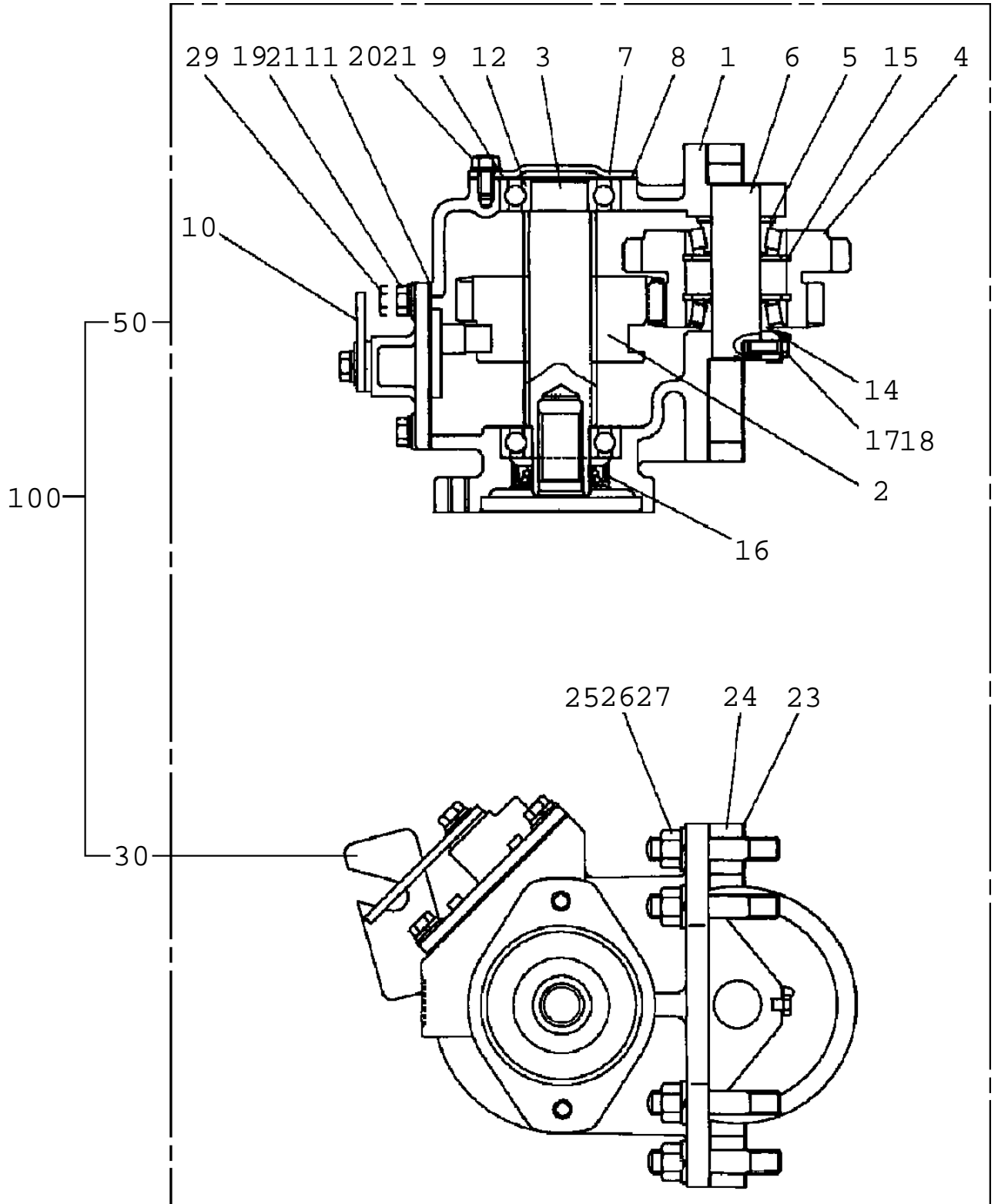
Pos No.	Parts No	Parts Name	Qty	Unit	Technical Data	Serial No (Start)	Se
1	36401025010	CASE	1				
2	36401025020	GEAR	1				
3	36400845030	SHAFT	1				
4	36401025030	GEAR	1				
5	36400395050	SHAFT	1				
6	36400095100	SHIFTER ASSY	1				
7	36400095110	PACKING	1				
8	36400095070	COVER (BEARING)	1				
9	36400095080	PACKING (COVER)	1				
10	36400095090	SHIM	1				
11	36400675030	COLLAR	1				
12	80500006206	BEARING,BALL	2				
13	36401025050	BEARING	2				
14	91206030005	SEAL,OIL	1				
15	80602110470	RING,RITAINING	2		R47		
16	36400095130	WASHER	1				
17	90101206015	BOLT	1		M6X15		
18	90191208020	BOLT	4		M8X20		
19	90191208014	BOLT	3		M8X14		
20	90302040801	WASHER,SPRING	7		8		
21	36401025060	PLUG	1				
22	36401025070	WASHER,PLAIN	1				
24	36401025090	PLATE,NAME	1				
25	36401025100	PACKING	1				
26	36400095150	BOLT,STUD	6		M10X1.25/1.5X43		
27	90267201000	NUT	6		M10		
28	90302041001	WASHER,SPRING	6		10		
29	31790770100	SUPPORT	1				
30	90191208025	BOLT	2		M8X25		
31	36401025120	NUT (REINFORCER)	1				
50	36401020000	POWER TAKE OFF	1				
100	31790810000	POWER TAKE OFF	1				



TM-ZF360 41102210360A FRAME/STD,REMOTE-RADIO CONT.,HOOK-IN

Pos No.	Parts No	Parts Name	Qty	Unit	Technical Data	Serial No (Start
2	51630103010	CASE (P.T.O)	1			
3	51630103020	SHAFT (POWER TAKE OFF)	1			
4	51630103030	BEARING,NEEDLE	1			
5	36401045010	GEAR	1			
7	51630103050	WASHER	2			
8	51630103060	PIN,SPRING	1			
9	36400955020	SHAFT (OUTPUT)	1			
10	51630103080	BEARING,NEEDLE	2			
11	36401045020	GEAR	1			
13	51630103100	WASHER	1			
15	51630103110	SLEEVE	1			
16	80500006206	BEARING,BALL	3			
17	52630106230	COVER (FRONT)	1			
18	36400955030	ADAPTER	1			
19	51630103140	GASKET	2			
20	51630103150	BOLT	4			
21	36400955040	BOLT	4		M8X25X1.25	
22	36400955050	SEAL,OIL	1			
25	51630103170	SHAFT	1			
26	51630103180	FORK	1			
27	51630103190	BOLT	1			
28	52630106200	BALL,STEEL	1			
29	52630106190	SPRING	1			
30	51630103200	PLUG	1			
31	51630103210	PLUG	1			
32	51630103220	SEAL,OIL	1			
33	51630103230	BOLT	1			
35	51630103240	NUT	1			
36	51630103250	GASKET	1			
37	51630103260	GASKET	1			
38	36400315040	BOLT	6			
40	36400955060	COUPLING	1			
41	36400955070	RING,STOP	1			
50	36401040000	POWER TAKE OFF	1			

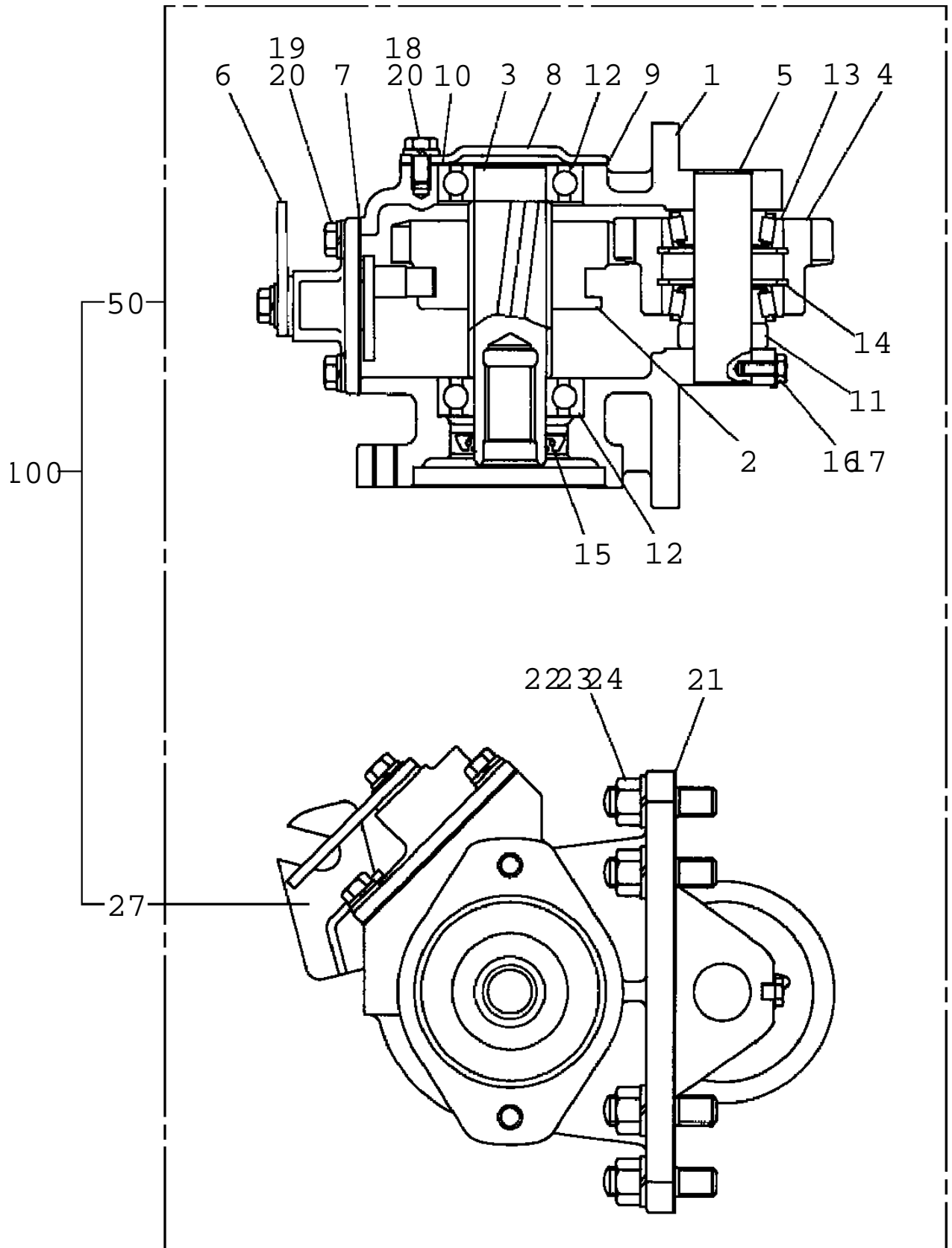
TM-ZF360 41102210360A FRAME/STD,REMOTE-RADIO CONT.,HOOK-IN
PB1030118-02 POWER TAKE OFF



TM-ZF360 41102210360A FRAME/STD,REMOTE-RADIO CONT.,HOOK-IN

Pos No.	Parts No	Parts Name	Qty	Unit	Technical Data	Serial No (Start)	Seri
1	36401105010	CASE	1				
2	36401105100	GEAR	1				
3	36401105030	SHAFT	1				
4	36401105110	GEAR	1				
5	36401105050	COLLAR	1				
6	36400395050	SHAFT	1				
7	36400095070	COVER (BEARING)	1				
8	36400095080	PACKING (COVER)	1				
9	36400095090	SHIM	1				
10	36401105060	SHIFTER SET	1				
11	36400995080	PACKING	1				
12	80500006206	BEARING,BALL	2				
14	36400675050	BEARING	2				
15	80602110520	RING,RITAINING	2		R52		
16	91206030005	SEAL,OIL	1				
17	90101206015	BOLT	1		M6X15		
18	36400095130	WASHER	1				
19	90191208020	BOLT	4		M8X20		
20	90191208014	BOLT	3		M8X14		
21	90302040801	WASHER,SPRING	7		8		
23	36400915060	PACKING	2				
24	36401105120	SPACER	1				
25	36401105080	BOLT	6				
26	90267401200	NUT	6				
27	90302041201	WASHER,SPRING	6		12		
29	90191208025	BOLT	2		M8X25		
30	31790790100	SUPPORT	1				
50	36401100000	POWER TAKE OFF	1				
100	31790850000	POWER TAKE OFF	1				

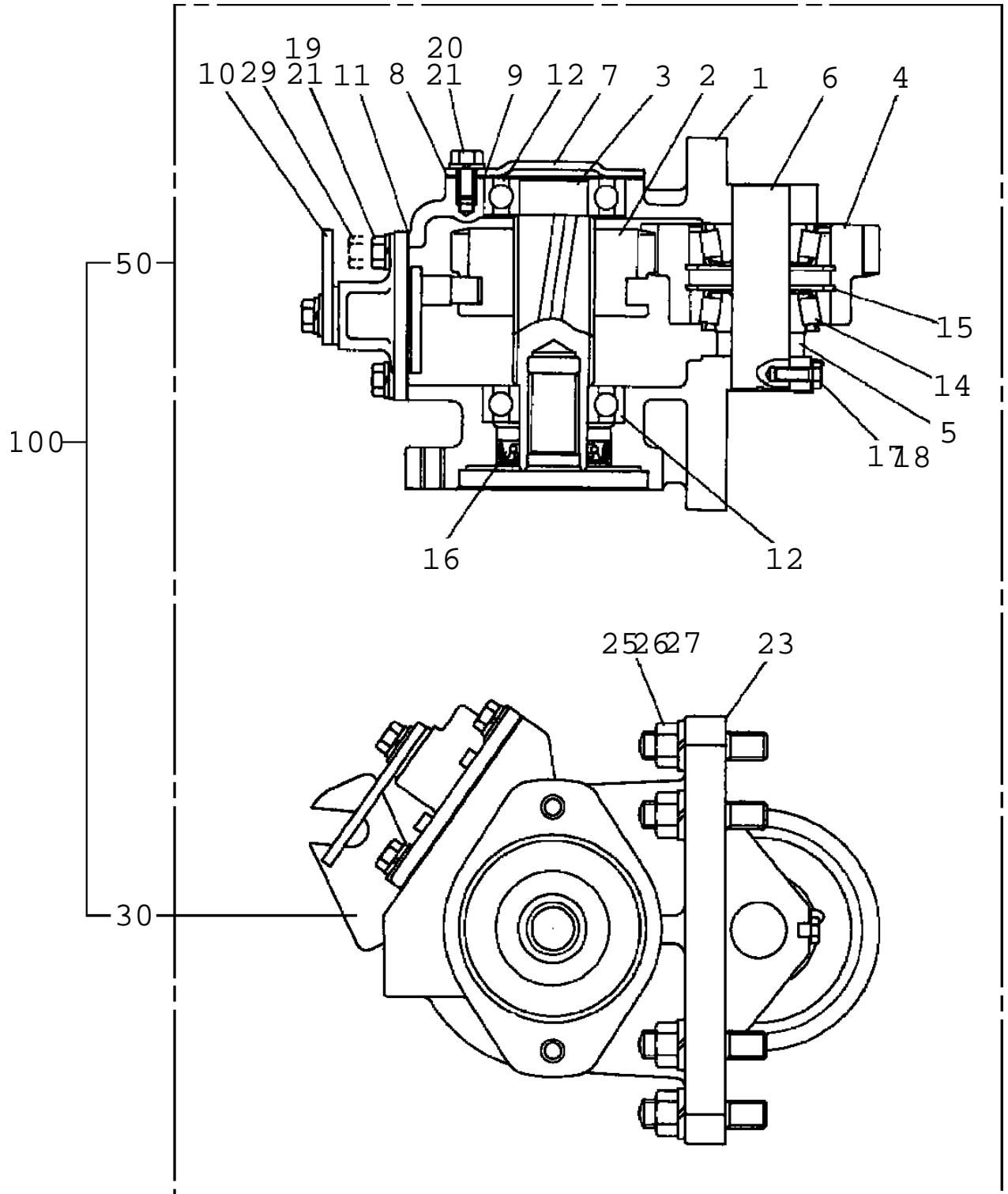
TM-ZF360 41102210360A FRAME/STD,REMOTE-RADIO CONT.,HOOK-IN
PB1030127-01 POWER TAKE OFF



TM-ZF360 41102210360A FRAME/STD,REMOTE-RADIO CONT.,HOOK-IN

Pos No.	Parts No	Parts Name	Qty	Unit	Technical Data	Serial No (Start)	Seri
1	36401055010	CASE	1				
2	36401055020	GEAR	1				
3	36401055030	SHAFT	1				
4	36401055040	GEAR	1				
5	36400395050	SHAFT	1				
6	36400095100	SHIFTER ASSY	1				
7	36400095110	PACKING	1				
8	36400095070	COVER (BEARING)	1				
9	36400095080	PACKING (COVER)	1				
10	36400095090	SHIM	1				
11	36400675030	COLLAR	1				
12	80500006206	BEARING,BALL	2				
13	36400675050	BEARING	2				
14	80602110520	RING,RITAINING	2		R52		
15	91206030005	SEAL,OIL	1				
16	90191206015	BOLT	1		M6		
17	36400095130	WASHER	1				
18	90191208014	BOLT	3		M8X14		
19	90191208020	BOLT	4		M8X20		
20	90302040801	WASHER,SPRING	7		8		
21	36400915060	PACKING	1				
22	36400435120	BOLT,STUD	6				
23	90267401200	NUT	6				
24	90302041201	WASHER,SPRING	6		12		
27	31790830100	SUPPORT	1				
50	36401050000	POWER TAKE OFF	1				
100	31790830000	POWER TAKE OFF	1				

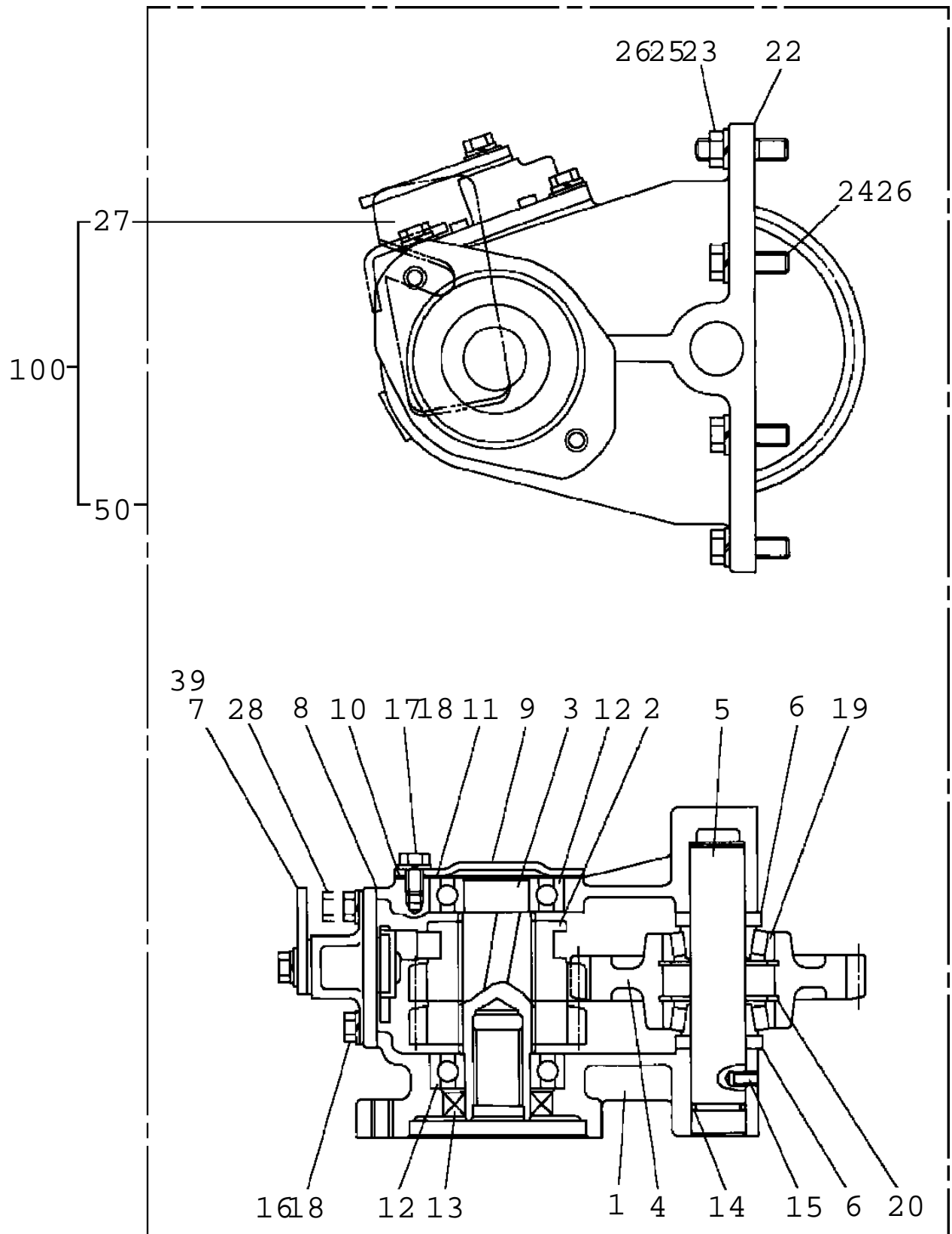
TM-ZF360 41102210360A FRAME/STD,REMOTE-RADIO CONT.,HOOK-IN
PB1030128-01 POWER TAKE OFF



TM-ZF360 41102210360A FRAME/STD,REMOTE-RADIO CONT.,HOOK-IN

Pos No.	Parts No	Parts Name	Qty	Unit	Technical Data	Serial No (Start)	Seri
1	36401095080	CASE	1				
2	36401095020	GEAR	1				
3	36400915030	SHAFT	1				
4	36401095030	GEAR	1				
5	36400675030	COLLAR	1				
6	36400395050	SHAFT	1				
7	36400095070	COVER (BEARING)	1				
8	36400095080	PACKING (COVER)	1				
9	36400095090	SHIM	1				
10	36400095100	SHIFTER ASSY	1				
11	36400095110	PACKING	1				
12	80500006206	BEARING,BALL	2				
14	36400135070	BEARING	2				
15	80602110620	RING,RITAINING	2		R62		
16	91206030005	SEAL,OIL	1				
17	90101206015	BOLT	1		M6X15		
18	36400095130	WASHER	1				
19	90191208020	BOLT	4		M8X20		
20	90191208014	BOLT	3		M8X14		
21	90302040801	WASHER,SPRING	7		8		
23	36400915060	PACKING	1				
25	36401095040	BOLT	6				
26	90267401200	NUT	6				
27	90302041201	WASHER,SPRING	6		12		
29	90191208025	BOLT	2		M8X25		
30	31790830100	SUPPORT	1				
50	36401090000	POWER TAKE OFF	1				
100	31790840000	POWER TAKE OFF	1				

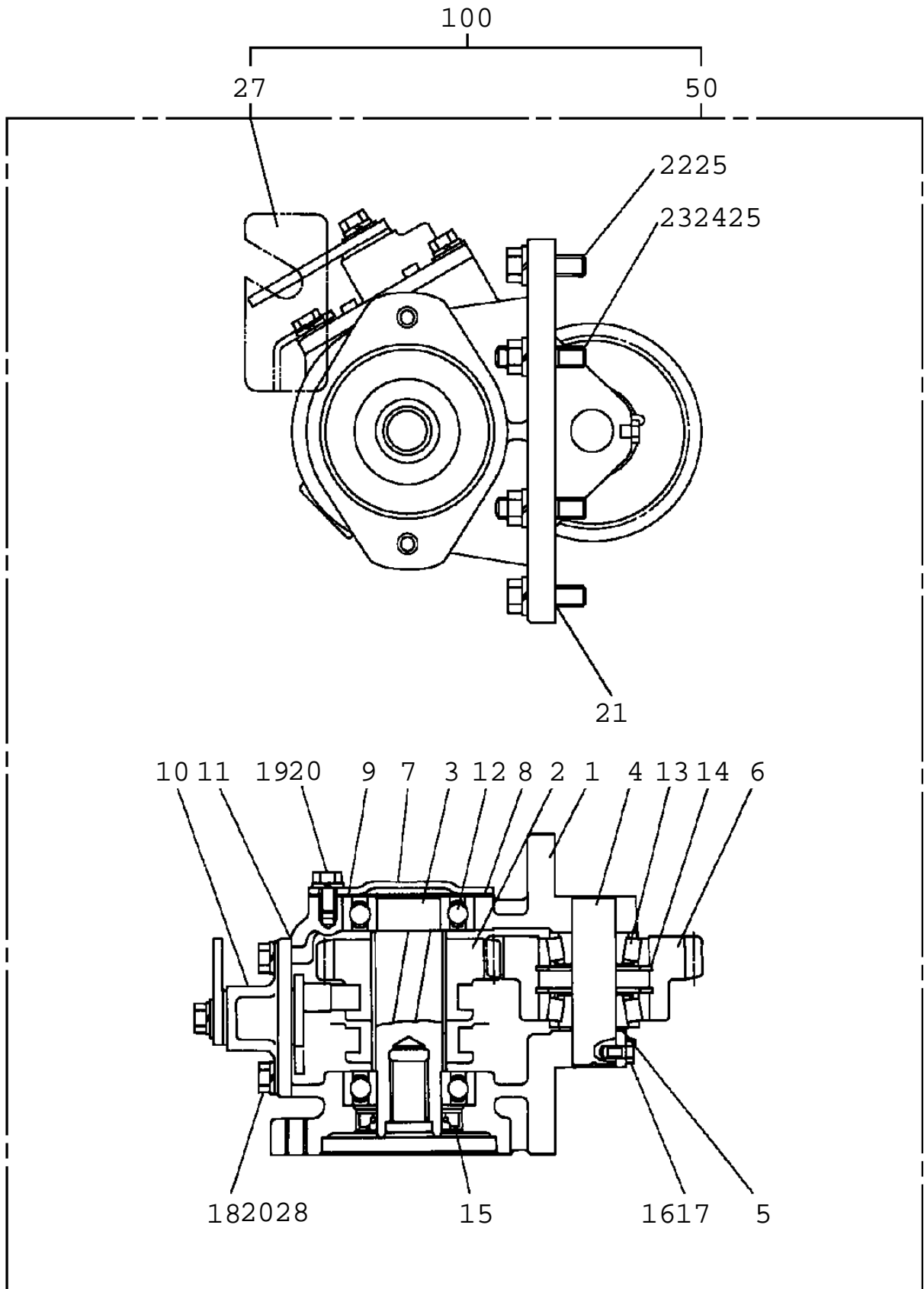
TM-ZF360 41102210360A FRAME/STD,REMOTE-RADIO CONT.,HOOK-IN
PB1030135-02 POWER TAKE OFF



TM-ZF360 41102210360A FRAME/STD,REMOTE-RADIO CONT.,HOOK-IN

Pos No.	Parts No	Parts Name	Qty	Unit	Technical Data	Serial No (Start)	Ser
1	36400895010	CASE	1				
2	36400895020	GEAR	1				
3	36400895030	SHAFT	1				
4	36400895040	GEAR	1				
5	36400415050	SHAFT	1				
6	36400215070	COLLAR	2				
7	36400225110	SHIFTER SET	1				
8	36400095110	PACKING	1				
9	36400095070	COVER (BEARING)	1				
10	36400095080	PACKING (COVER)	1				
11	36400095090	SHIM	1				
12	80500006206	BEARING,BALL	2				
13	91206030005	SEAL,OIL	1				
14	91001102100	O-RING	1		1A P21		
15	90710006120	SCREW,SET	1		M6X12		
16	90191208020	BOLT	4		M8X20		
17	90191208014	BOLT	3		M8X14		
18	90302040801	WASHER,SPRING	7		8		
19	36400675050	BEARING	2				
20	80602110520	RING,RITAINING	2		R52		
22	36400415100	PACKING (CASE)	1				
23	36400095150	BOLT,STUD	2		M10X1.25/1.5X43		
24	90191210030	BOLT	6		M10X30		
25	90267201000	NUT	2		M10		
26	90302041001	WASHER,SPRING	8		10		
27	31790910100	SUPPORT	1				
28	90191208025	BOLT	2		M8X25		
39	36400225160	SEAL,OIL	1				
50	36401180000	POWER TAKE OFF	1				
100	31790910000	POWER TAKE OFF	1				

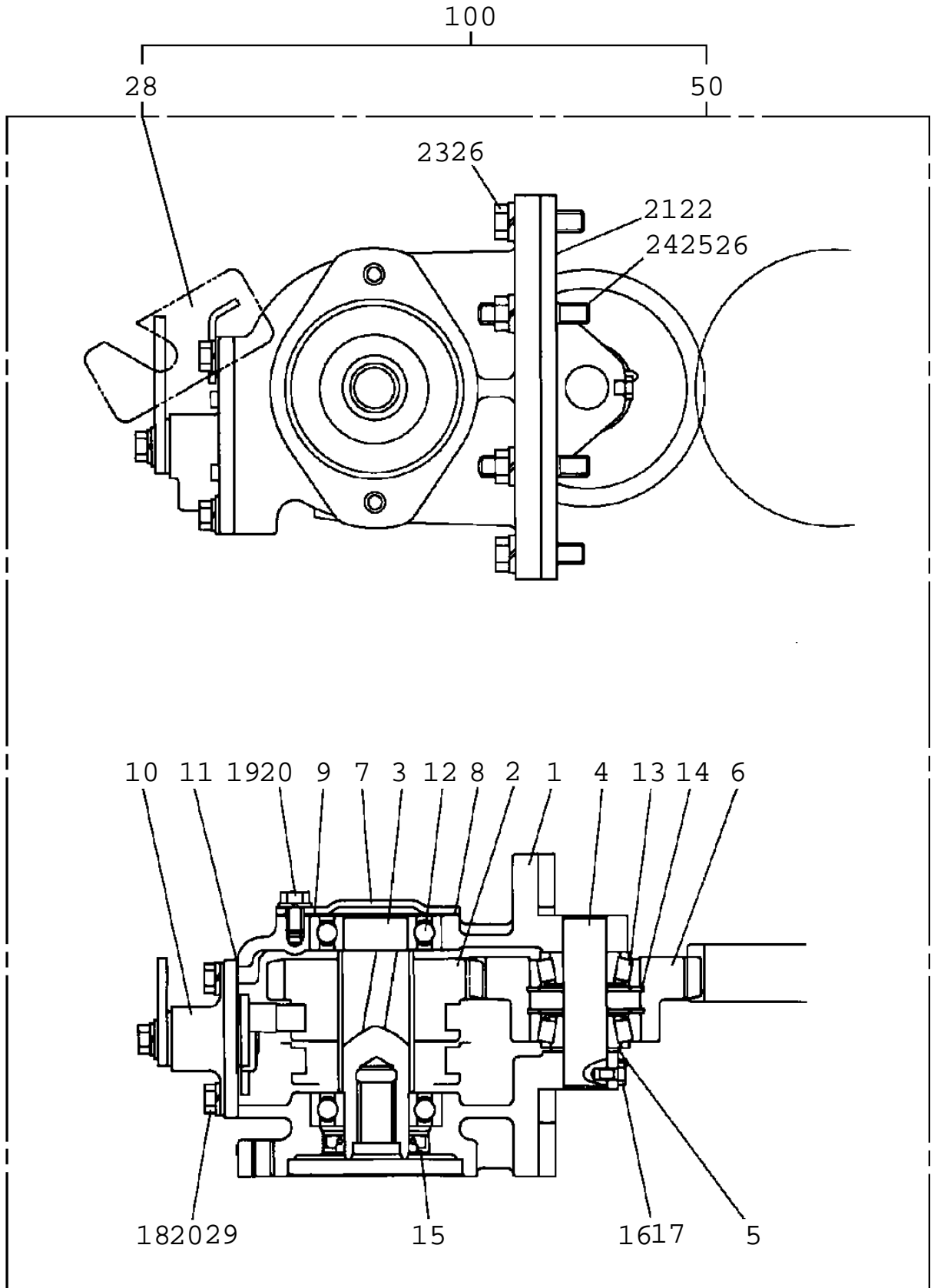
TM-ZF360 41102210360A FRAME/STD,REMOTE-RADIO CONT.,HOOK-IN
PB1030136-02 POWER TAKE OFF



TM-ZF360 41102210360A FRAME/STD,REMOTE-RADIO CONT.,HOOK-IN

Pos No.	Parts No	Parts Name	Qty	Unit	Technical Data	Serial No (Start)	Ser
1	36401345010	CASE	1				
2	36400865020	GEAR	1				
3	36400895030	SHAFT	1				
4	36400095040	SHAFT	1				
5	36400095050	COLLAR	1				
6	36400865040	GEAR	1				
7	36400095070	COVER (BEARING)	1				
8	36400095080	PACKING (COVER)	1				
9	36400095090	SHIM	1				
10	36400095100	SHIFTER ASSY	1				
11	36400095110	PACKING	1				
12	80500006206	BEARING,BALL	2				
13	36400095120	BEARING	2				
14	80602110520	RING,RITAINING	2		R52		
15	91206030005	SEAL,OIL	1				
16	90101206012	BOLT	1		M6X12		
17	36400095130	WASHER	1				
18	90191208020	BOLT	4		M8X20		
19	90191208014	BOLT	3		M8X14		
20	90302040801	WASHER,SPRING	7		8		
21	36400335030	SHIM	1				
22	90191210030	BOLT	4		M10X30		
23	36400095150	BOLT,STUD	4		M10X1.25/1.5X43		
24	90267201000	NUT	4		M10		
25	90302041001	WASHER,SPRING	8		10		
27	31790670100	SUPPORT	1				
28	90191208025	BOLT	2		M8X25		
50	36401340000	POWER TAKE OFF	1				
100	31790920000	POWER TAKE OFF	1				

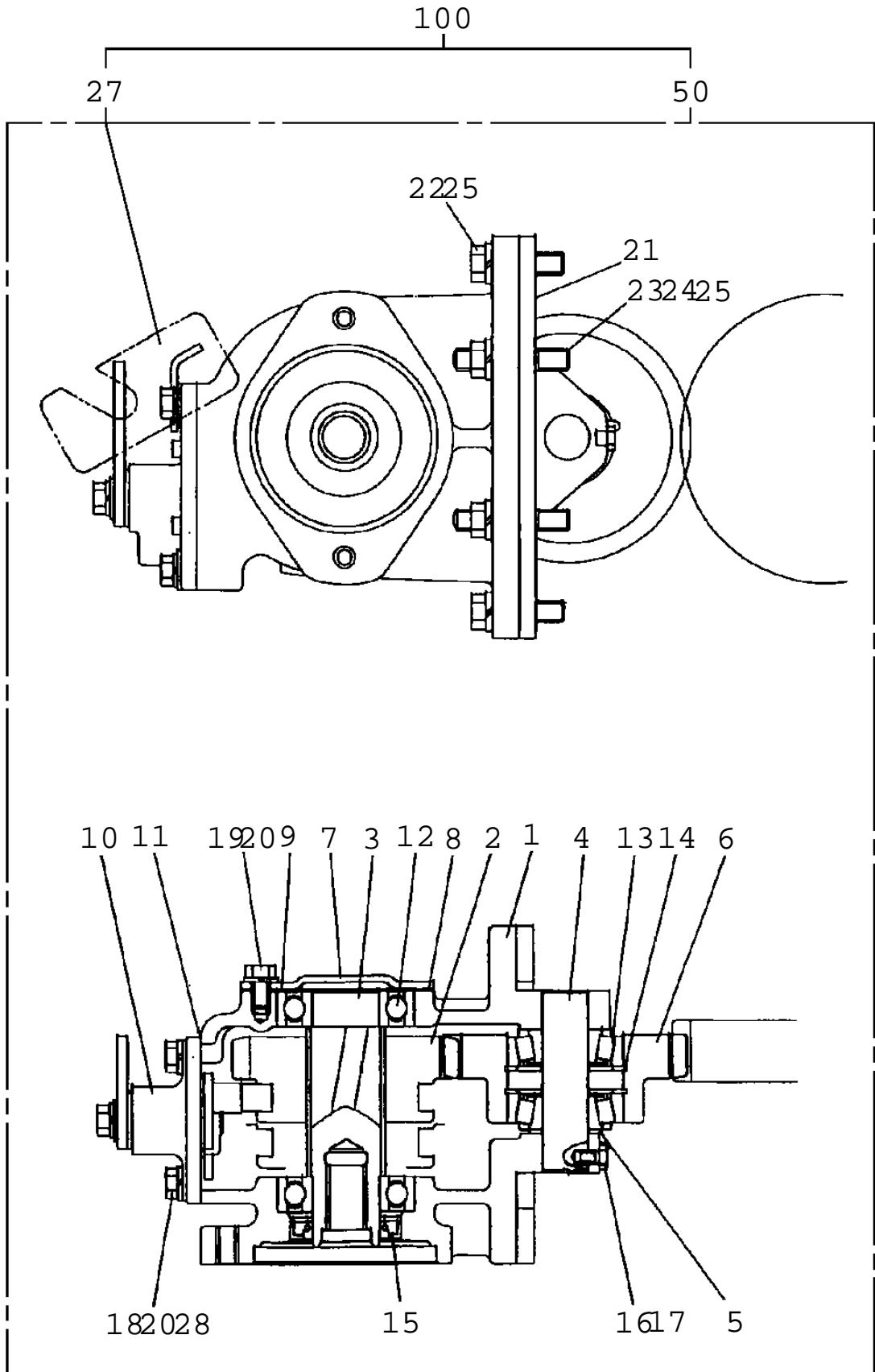
TM-ZF360 41102210360A FRAME/STD,REMOTE-RADIO CONT.,HOOK-IN
PB1030137-02 POWER TAKE OFF



TM-ZF360 41102210360A FRAME/STD,REMOTE-RADIO CONT.,HOOK-IN

Pos No.	Parts No	Parts Name	Qty	Unit	Technical Data	Serial No (Start)	Seri
1	36401365010	CASE	1				
2	36401355010	GEAR	1				
3	36401355020	SHAFT	1				
4	36400095040	SHAFT	1				
5	36400095050	COLLAR	1				
6	36401355030	GEAR	1				
7	36400095070	COVER (BEARING)	1				
8	36400095080	PACKING (COVER)	1				
9	36400095090	SHIM	1				
10	36400095100	SHIFTER ASSY	1				
11	36400095110	PACKING	1				
12	80500006206	BEARING,BALL	2				
13	36400095120	BEARING	2				
14	80602110520	RING,RITAINING	2		R52		
15	91206030005	SEAL,OIL	1				
16	90101206012	BOLT	1		M6X12		
17	36400095130	WASHER	1				
18	90191208020	BOLT	4		M8X20		
19	90191208014	BOLT	3		M8X14		
20	90302040801	WASHER,SPRING	7		8		
21	36400345010	SPACER	1				
22	36400335030	SHIM	1				
23	90191210035	BOLT	4		M10X35		
24	36401355040	BOLT	4				
25	90267201000	NUT	4		M10		
26	90302041001	WASHER,SPRING	8		10		
28	31790680100	SUPPORT	1				
29	90191208025	BOLT	2		M8X25		
50	36401350000	POWER TAKE OFF	1				
100	31790930000	POWER TAKE OFF	1				

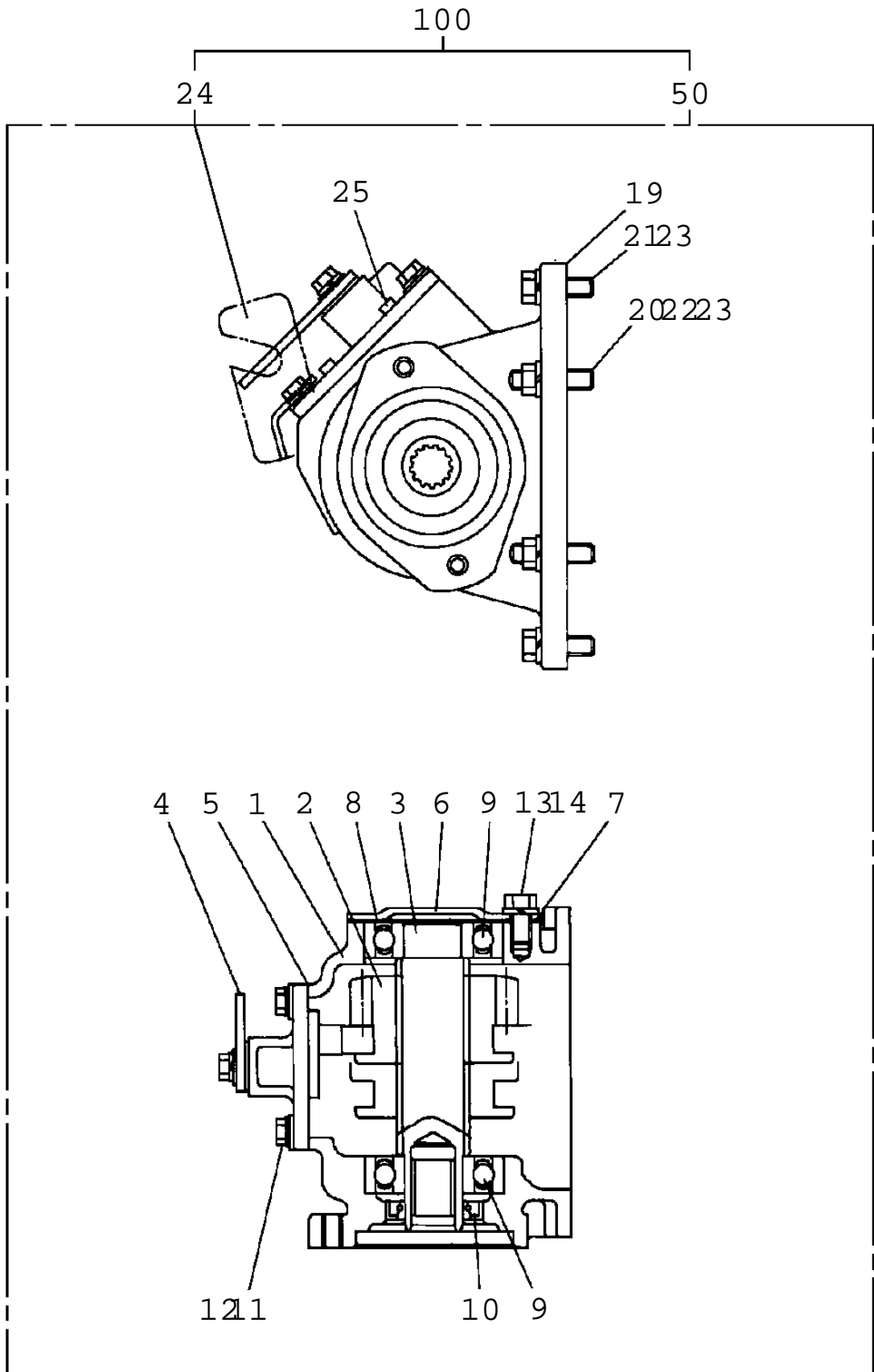
TM-ZF360 41102210360A FRAME/STD,REMOTE-RADIO CONT.,HOOK-IN
PB1030138-01 POWER TAKE OFF



TM-ZF360 41102210360A FRAME/STD,REMOTE-RADIO CONT.,HOOK-IN

Pos No.	Parts No	Parts Name	Qty	Unit	Technical Data	Serial No (Start)	Ser
1	36401365010	CASE	1				
2	36401365020	GEAR	1				
3	36400895030	SHAFT	1				
4	36400095040	SHAFT	1				
5	36400095050	COLLAR	1				
6	36401365030	GEAR	1				
7	36400095070	COVER (BEARING)	1				
8	36400095080	PACKING (COVER)	1				
9	36400095090	SHIM	1				
10	36400095100	SHIFTER ASSY	1				
11	36400095110	PACKING	1				
12	80500006206	BEARING,BALL	2				
13	36400095120	BEARING	2				
14	80602110520	RING,RITAINING	2		R52		
15	91206030005	SEAL,OIL	1				
16	90101206012	BOLT	1		M6X12		
17	36400095130	WASHER	1				
18	90191208020	BOLT	4		M8X20		
19	90191208014	BOLT	3		M8X14		
20	90302040801	WASHER,SPRING	7		8		
21	36400335030	SHIM	1				
22	90191210030	BOLT	4		M10X30		
23	36400095150	BOLT,STUD	4		M10X1.25/1.5X43		
24	90267201000	NUT	4		M10		
25	90302041001	WASHER,SPRING	8		10		
27	31790680100	SUPPORT	1				
28	90191208025	BOLT	2		M8X25		
50	36401360000	POWER TAKE OFF	1				
100	31790940000	POWER TAKE OFF	1				

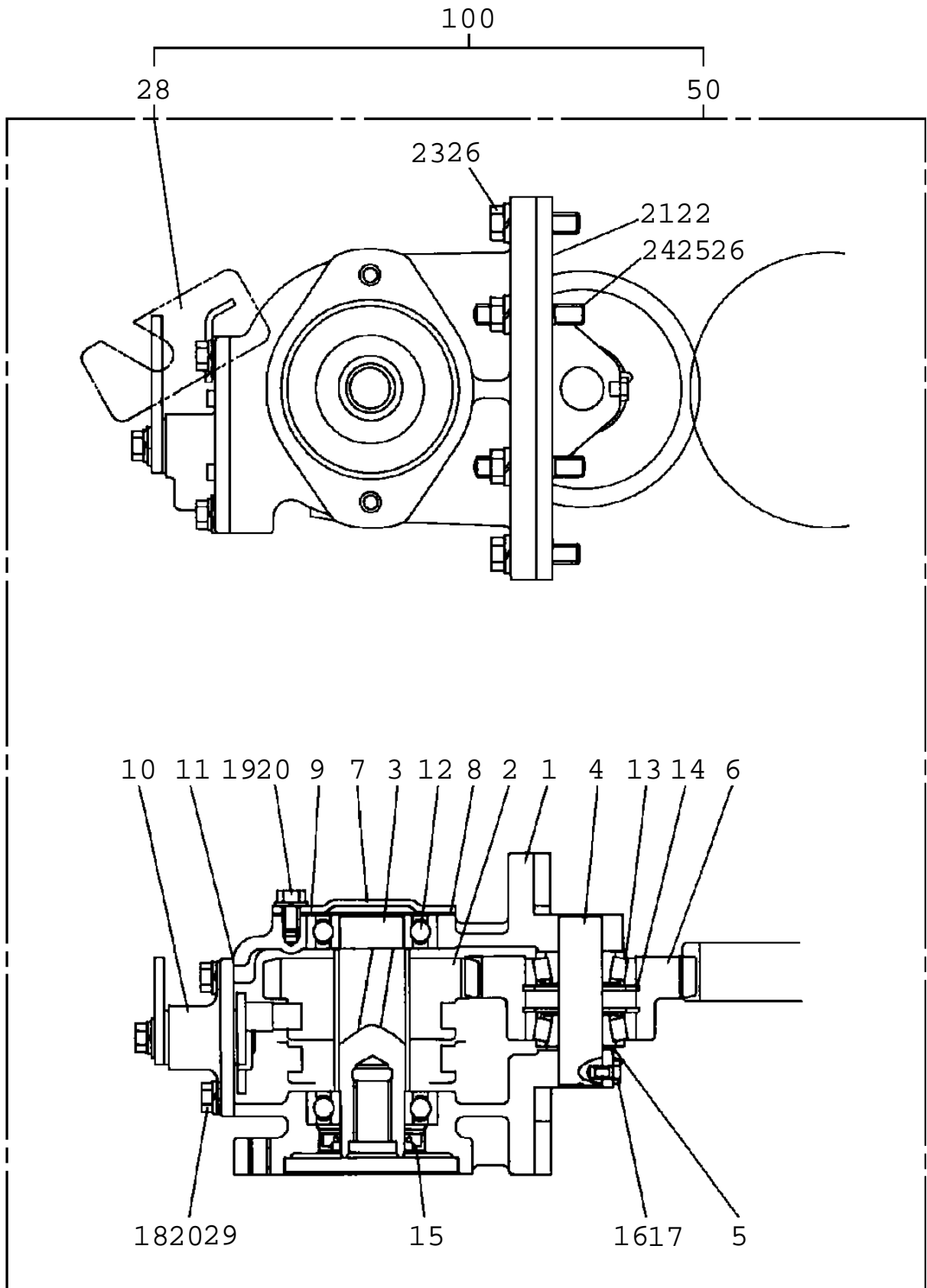
TM-ZF360 41102210360A FRAME/STD,REMOTE-RADIO CONT.,HOOK-IN
PB1030141-01 POWER TAKE OFF



TM-ZF360 41102210360A FRAME/STD,REMOTE-RADIO CONT.,HOOK-IN

Pos No.	Parts No	Parts Name	Qty	Unit	Technical Data	Serial No (Start)	Ser
1	36401375010	CASE	1				
2	36401375020	GEAR	1				
3	36401375030	SHAFT	1				
4	36401105060	SHIFTER SET	1				
5	36400995080	PACKING	1				
6	36400995040	COVER	1				
7	36400995050	PACKING (COVER)	1				
8	36400995060	SHIM	1				
9	80500006306	BEARING,BALL	2				
10	91206030005	SEAL,OIL	1				
11	90191208020	BOLT	4		M8X20		
12	90302040801	WASHER,SPRING	4		8		
13	90191210016	BOLT	4		M10X16		
14	90302041001	WASHER,SPRING	12		10		
19	36401375050	PACKING	2				
20	36400095150	BOLT,STUD	2		M10X1.25/1.5X43		
21	90191210030	BOLT	6		M10X30		
22	90267201000	NUT	2		M10		
24	31790790100	SUPPORT	1				
25	90191208025	BOLT	2		M8X25		
50	36401370000	POWER TAKE OFF	1				
100	31790950000	POWER TAKE OFF	1				

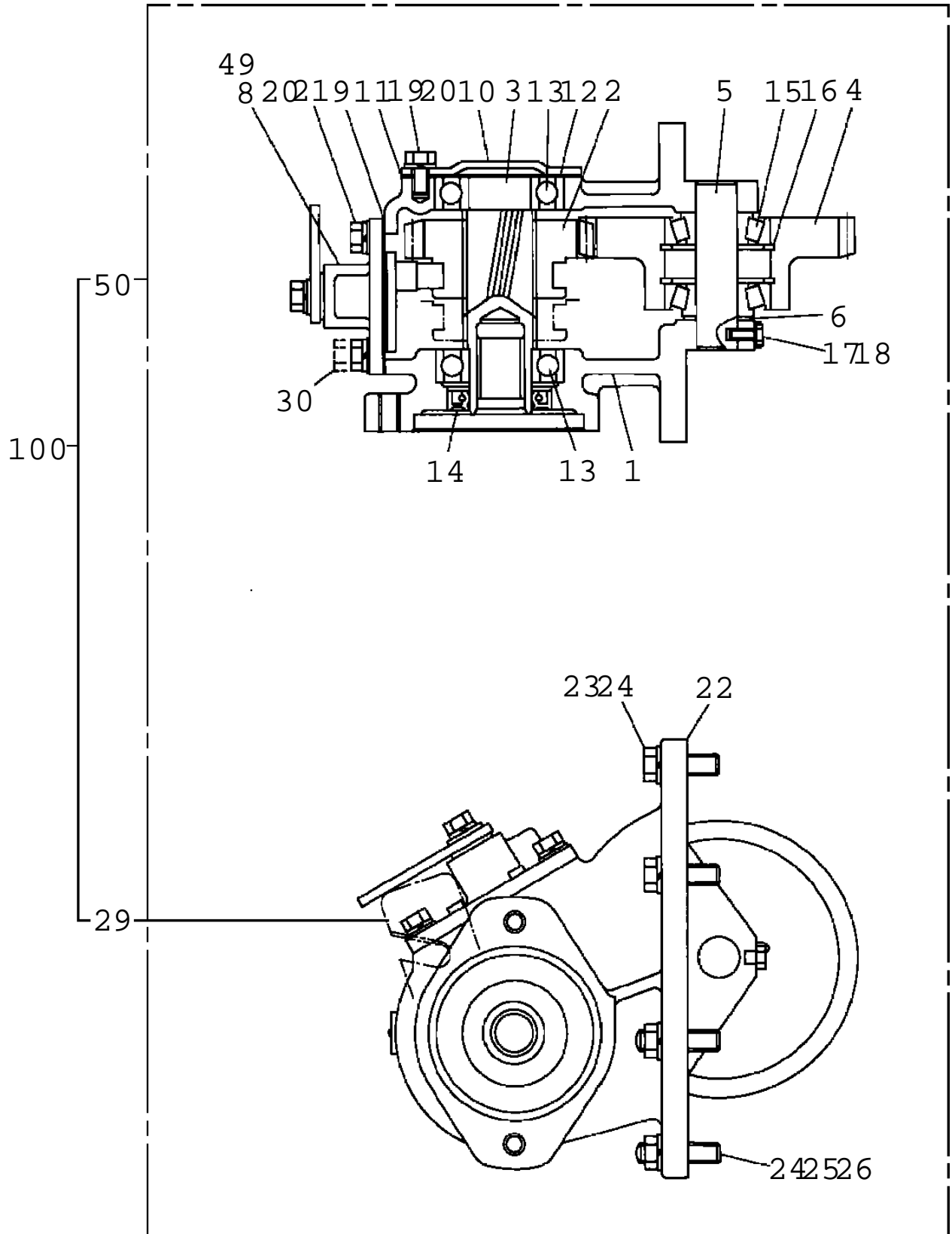
TM-ZF360 41102210360A FRAME/STD,REMOTE-RADIO CONT.,HOOK-IN
PB1030142-02 POWER TAKE OFF



TM-ZF360 41102210360A FRAME/STD,REMOTE-RADIO CONT.,HOOK-IN

Pos No.	Parts No	Parts Name	Qty	Unit	Technical Data	Serial No (Start)	Seri
1	36401365010	CASE	1				
2	36401385010	GEAR	1				
3	36400895030	SHAFT	1				
4	36400095040	SHAFT	1				
5	36400095050	COLLAR	1				
6	36401385020	GEAR	1				
7	36400095070	COVER (BEARING)	1				
8	36400095080	PACKING (COVER)	1				
9	36400095090	SHIM	1				
10	36400095100	SHIFTER ASSY	1				
11	36400095110	PACKING	1				
12	80500006206	BEARING,BALL	2				
13	36400095120	BEARING	2				
14	80602110520	RING,RITAINING	2		R52		
15	91206030005	SEAL,OIL	1				
16	90101206012	BOLT	1		M6X12		
17	36400095130	WASHER	1				
18	90191208020	BOLT	4		M8X20		
19	90191208014	BOLT	3		M8X14		
20	90302040801	WASHER,SPRING	7		8		
21	36400345010	SPACER	1				
22	36400335030	SHIM	1				
23	90191210035	BOLT	4		M10X35		
24	36401385030	BOLT	4				
25	90267201000	NUT	4		M10		
26	90302041001	WASHER,SPRING	8		10		
28	31790680100	SUPPORT	1				
29	90191208025	BOLT	1		M8X25		
50	36401380000	POWER TAKE OFF	1				
100	31790960000	POWER TAKE OFF	1				

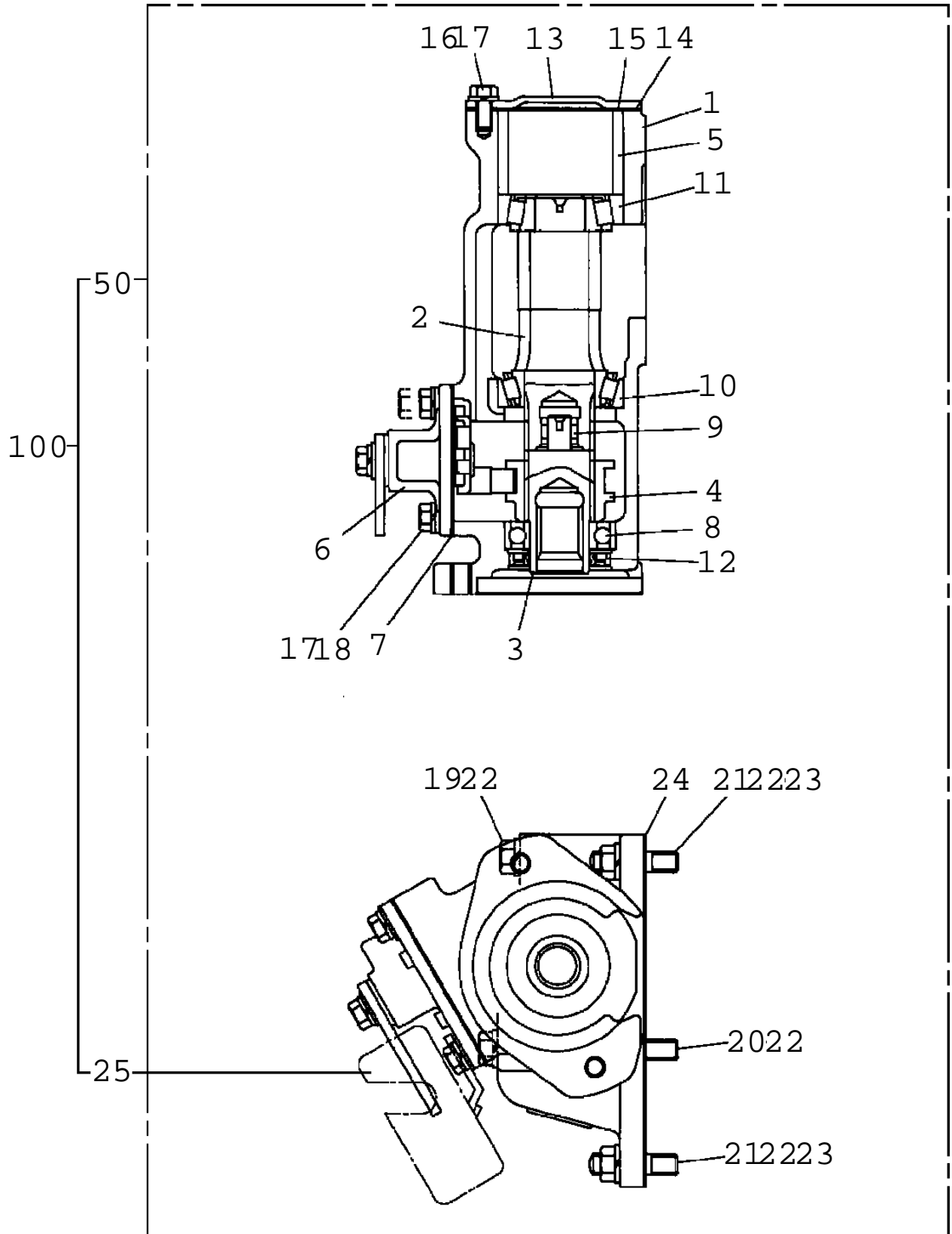
TM-ZF360 41102210360A FRAME/STD,REMOTE-RADIO CONT.,HOOK-IN
PB1030145-02 POWER TAKE OFF



TM-ZF360 41102210360A FRAME/STD,REMOTE-RADIO CONT.,HOOK-IN

Pos No.	Parts No	Parts Name	Qty	Unit	Technical Data	Serial No (Start)	Ser
1	36400905010	CASE	1				
2	36400905020	GEAR	1				
3	36400865030	SHAFT	1				
4	36400905030	GEAR	1				
5	36400095040	SHAFT	1				
6	36400095050	COLLAR	1				
8	36400225110	SHIFTER SET	1				
9	36400095110	PACKING	1				
10	36400095070	COVER (BEARING)	1				
11	36400095080	PACKING (COVER)	1				
12	36400095090	SHIM	1				
13	80500006206	BEARING,BALL	2				
14	91206030005	SEAL,OIL	1				
15	36400095120	BEARING	2				
16	80602110520	RING,RITAINING	2		R52		
17	36400095130	WASHER	12				
18	90101206012	BOLT	1		M6X12		
19	90191208014	BOLT	3		M8X14		
20	90302040801	WASHER,SPRING	7		8		
21	90191208020	BOLT	4		M8X20		
22	36400415100	PACKING (CASE)	1				
23	90191210030	BOLT	4		M10X30		
24	90302041001	WASHER,SPRING	8		10		
25	36400095150	BOLT,STUD	4		M10X1.25/1.5X43		
26	90267201000	NUT	4		M10		
29	31790910100	SUPPORT	1				
30	90191208025	BOLT	2		M8X25		
49	36400225160	SEAL,OIL	1				
50	36401410000	POWER TAKE OFF	1				
100	31790980000	POWER TAKE OFF	1				

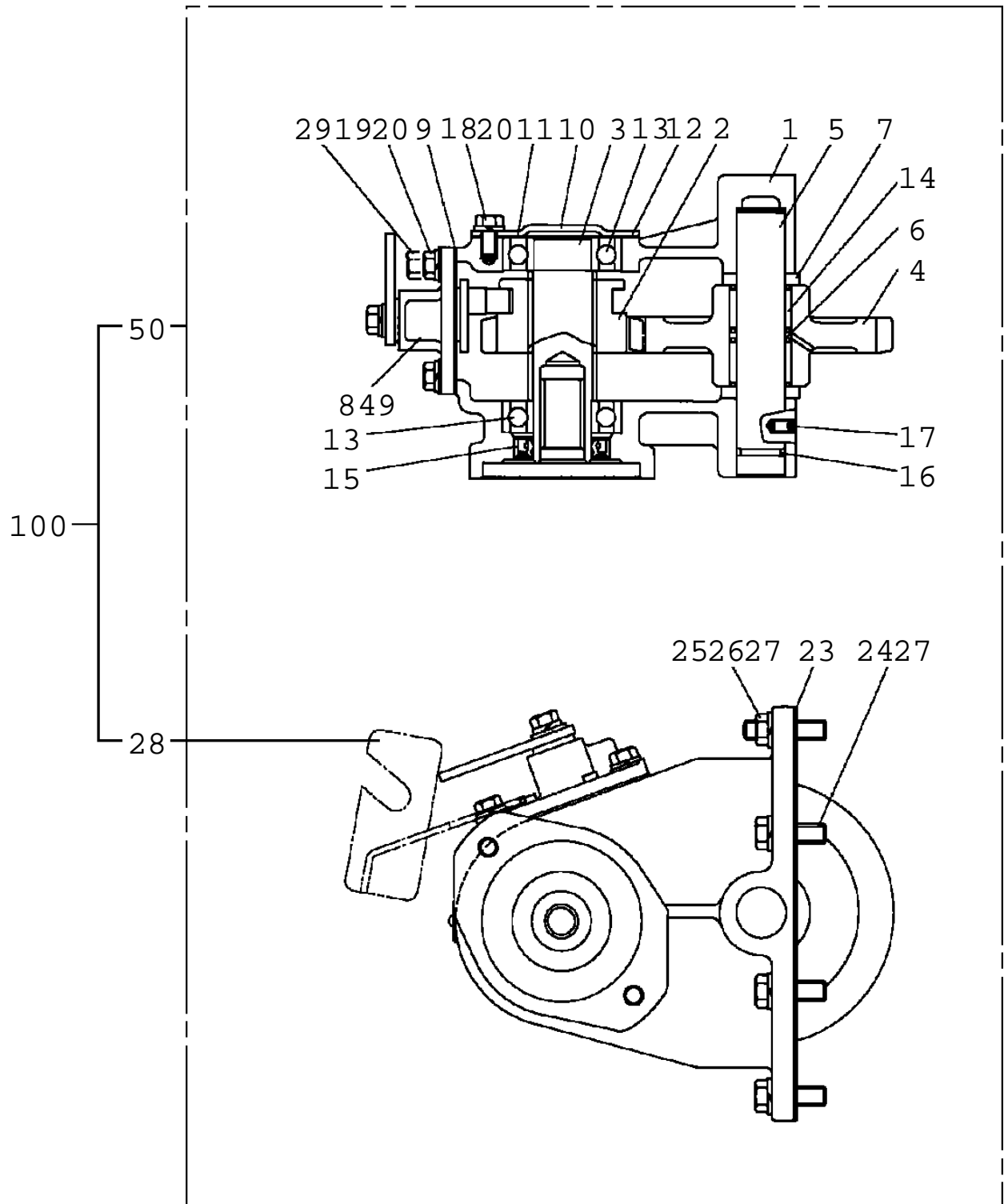
TM-ZF360 41102210360A FRAME/STD,REMOTE-RADIO CONT.,HOOK-IN
PB1030146-01 POWER TAKE OFF



TM-ZF360 41102210360A FRAME/STD,REMOTE-RADIO CONT.,HOOK-IN

Pos No.	Parts No	Parts Name	Qty	Unit	Technical Data	Serial No (Start)	Ser
1	36401425010	CASE	1				
2	36401425020	GEAR (TO)	1				
3	36400775010	SHAFT	1				
4	36401125040	SLEEVE	1				
5	36401135070	COLLAR	1				
6	36400095100	SHIFTER ASSY	1				
7	36400095110	PACKING	1				
8	80500006006	BEARING,BALL	1				
9	36400765050	BEARING,NEEDLE	1				
10	36401125080	BEARING,ROLLER	1				
11	36400765070	BEARING	1				
12	91206030005	SEAL,OIL	1				
13	36400095070	COVER (BEARING)	1				
14	36400095080	PACKING (COVER)	1				
15	36400095090	SHIM	N				
16	90191208014	BOLT	3		M8X14		
17	90302040801	WASHER,SPRING	7		8		
18	90191208020	BOLT	4		M8X20		
19	90191210080	BOLT	1		M10X80		
20	90191210090	BOLT	2		M10X90		
21	36400095150	BOLT,STUD	3		M10X1.25/1.5X43		
22	90302041001	WASHER,SPRING	6		10		
23	90267201000	NUT	3		M10		
24	36401125120	PACKING (CASE)	1				
25	31790770100	SUPPORT	1				
50	36401440000	POWER TAKE OFF	1				
100	31791000000	POWER TAKE OFF	1				

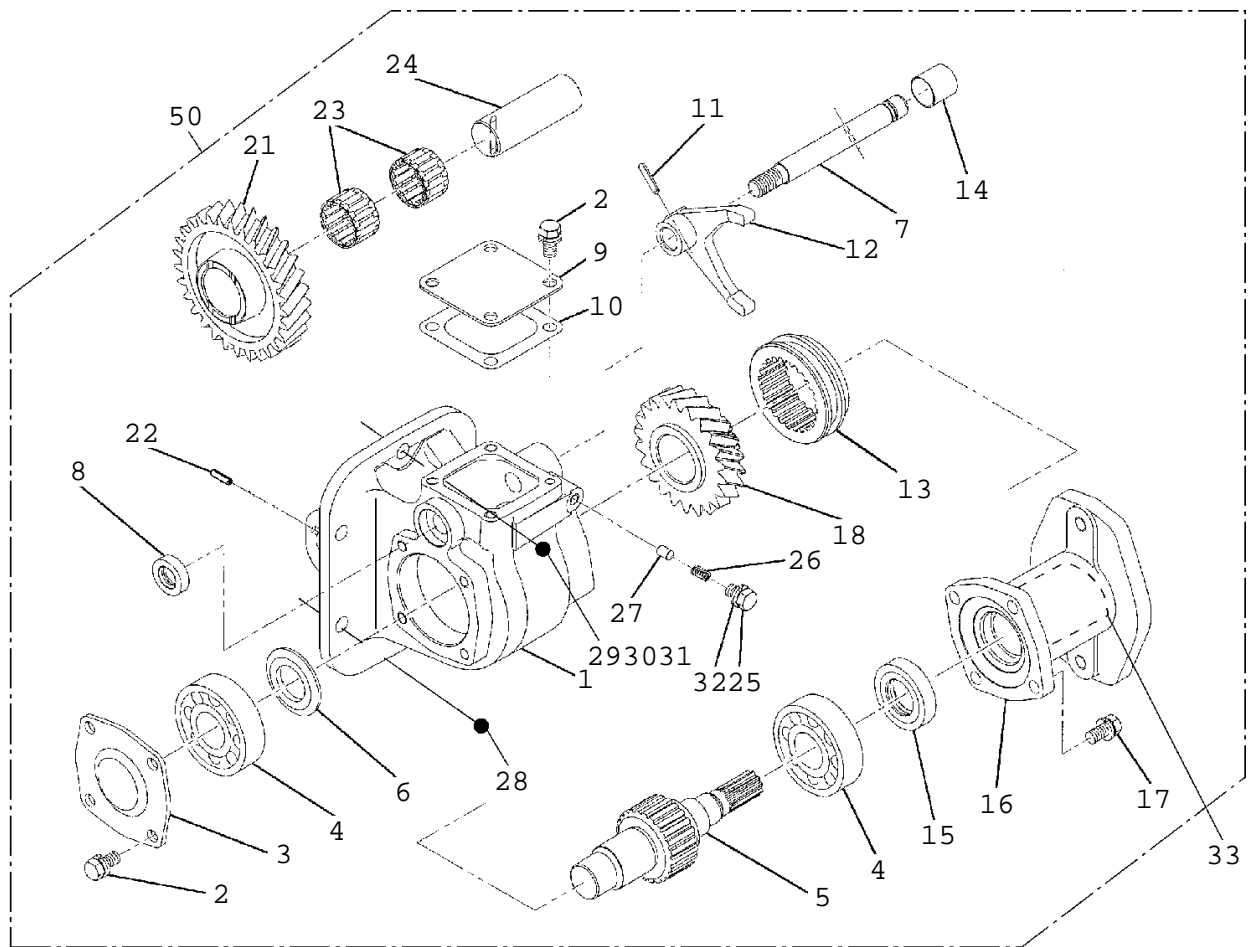
TM-ZF360 41102210360A FRAME/STD,REMOTE-RADIO CONT.,HOOK-IN
PB1030147-02 POWER TAKE OFF



TM-ZF360 41102210360A FRAME/STD,REMOTE-RADIO CONT.,HOOK-IN

Pos No.	Parts No	Parts Name	Qty	Unit	Technical Data	Serial No (Start)	Ser
1	36400895010	CASE	1				
2	36401115010	GEAR	1				
3	36400895030	SHAFT	1				
4	36401115020	GEAR	1				
5	36400415050	SHAFT	1				
6	36400415060	COLLAR	1				
7	36400215070	COLLAR	2				
8	36400225110	SHIFTER SET	1				
9	36400095110	PACKING	1				
10	36400095070	COVER (BEARING)	1				
11	36400095080	PACKING (COVER)	1				
12	36400095090	SHIM	N				
13	80500006206	BEARING,BALL	2				
14	36400415090	BEARING,NEEDLE	2				
15	91206030005	SEAL,OIL	1				
16	91001102100	O-RING	1		1A P21		
17	90710006120	SCREW,SET	1		M6X12		
18	90191208014	BOLT	3		M8X14		
19	90191208020	BOLT	4		M8X20		
20	90302040801	WASHER,SPRING	7		8		
23	36400415100	PACKING (CASE)	1				
24	90191210030	BOLT	6		M10X30		
25	36400095150	BOLT,STUD	2		M10X1.25/1.5X43		
26	90267201000	NUT	2		M10		
27	90302041001	WASHER,SPRING	8		10		
28	31790720100	SUPPORT	1				
29	90191208025	BOLT	2		M8X25		
49	36400225160	SEAL,OIL	1				
50	36401500000	POWER TAKE OFF	1				
100	31791020000	POWER TAKE OFF	1				

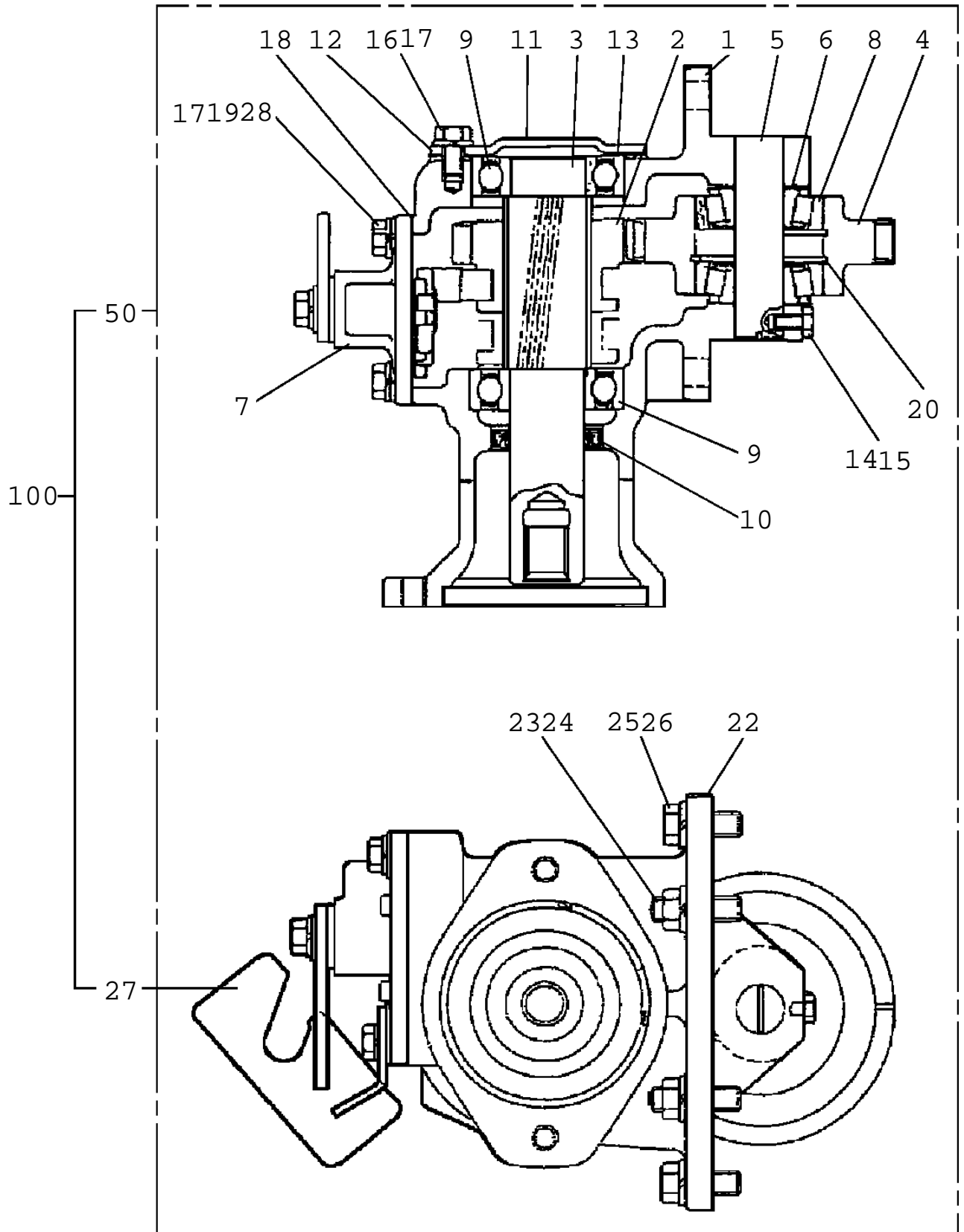
TM-ZF360 41102210360A FRAME/STD,REMOTE-RADIO CONT.,HOOK-IN
PB1030153-01 POWER TAKE OFF



TM-ZF360 41102210360A FRAME/STD,REMOTE-RADIO CONT.,HOOK-IN

Pos No.	Parts No	Parts Name	Qty	Unit	Technical Data	Serial
1	36401595010	CASE,GEAR	1			
2	52230312180	BOLT (WITH WASHER)	8		M8X1.25	
3	52230308050	COVER (CASE)	1			
4	80500006305	BEARING,BALL	2			
5	52230312021	SHAFT (OUTPUT)	1			
6	36401595020	COLLAR (THRUST)	1			
7	52230312140	ROD (SHAFT)	1			
8	52230312030	SEAL,OIL	1			
9	52230312190	COVER (UPPER)	1			
10	52230312200	PACKING (COVER)	1			
11	52230308130	PIN,SPRING	1		4X24	
12	36401595030	ARM (SHAFT)	1			
13	52230312220	SLEEVE	1			
14	52230308170	PLUG (SHAFT)	1			
15	52230312051	SEAL,OIL	1			
16	52230312060	ADAPTER	1			
17	52230312230	BOLT (WITH WASHER)	4		M8X1.25	
18	52230313110	GEAR ASSY (OUTPUT)	1			
21	52230313090	GEAR, IDLE	1			
22	52230312260	PIN,SPRING	1			
23	52230312090	BEARING,NEEDLE	2			
24	52230308100	SHAFT (IDLE)	1			
25	52230312270	BOLT,HEXAGON SOCKET	1		M8X1.25	
26	52230308160	SPRING (LOCK)	1			
27	52230312150	PIN (LOCK)	1			
28	52230312280	BOLT	3		M8X1.25	
29	52230312120	BOLT,STUD	3			
30	90302041001	WASHER,SPRING	3		10	
31	90267201000	NUT	3		M10	
32	52230312160	WASHER,SPRING	1			
33	52230307020	COUPLING	1			
50	36401609510	POWER TAKE OFF (WITHOUT COUPLING)	1			

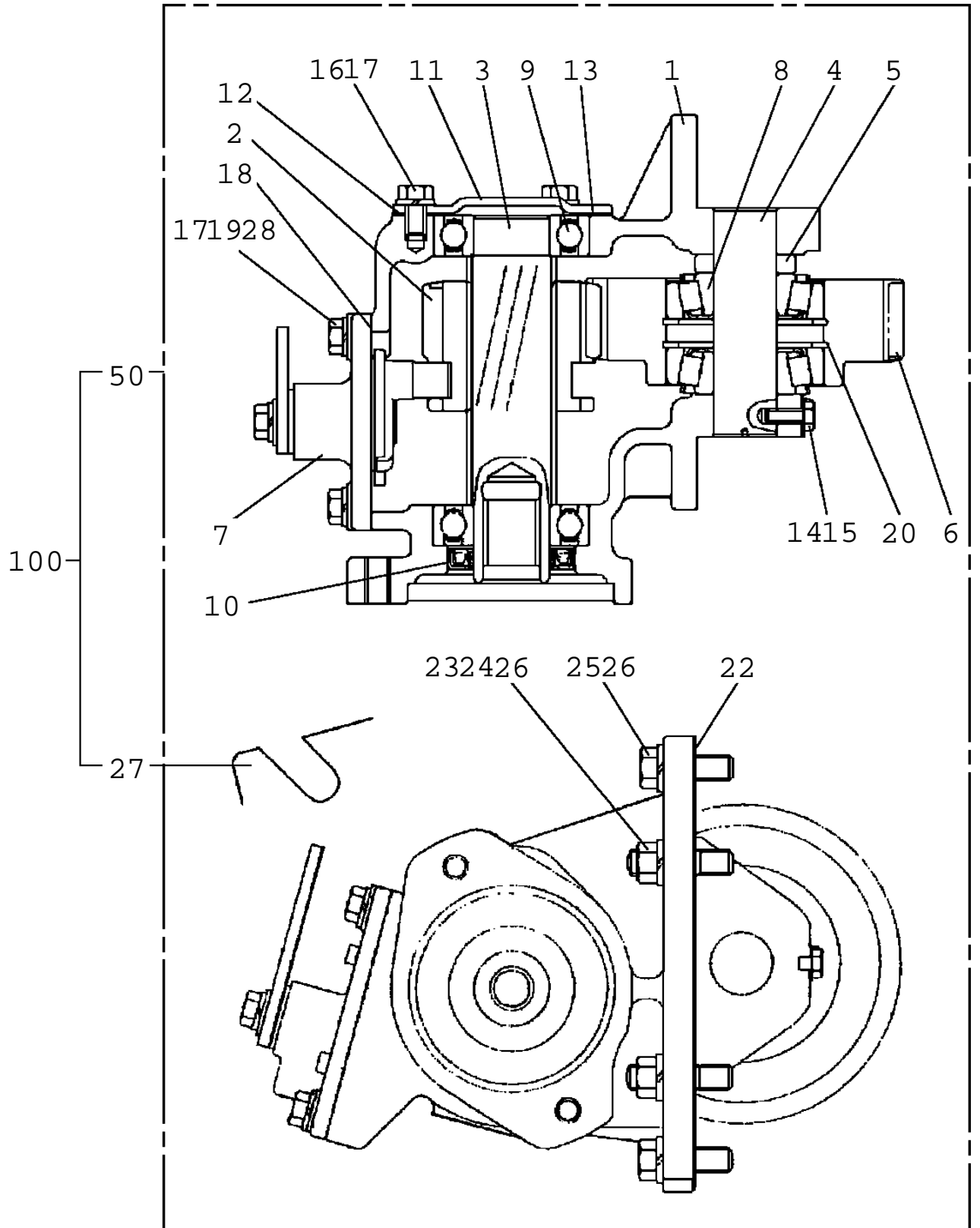
TM-ZF360 41102210360A FRAME/STD,REMOTE-RADIO CONT.,HOOK-IN
PB1030166-01 POWER TAKE OFF



TM-ZF360 41102210360A FRAME/STD,REMOTE-RADIO CONT.,HOOK-IN

Pos No.	Parts No	Parts Name	Qty	Unit	Technical Data	Serial No (Start)	Seri
1	36401515010	CASE	1				
2	36401515020	GEAR (TO)	1				
3	36401665010	SHAFT	1				
4	36401665020	GEAR	1				
5	36400095040	SHAFT	1				
6	36400095050	COLLAR	1				
7	36400095100	SHIFTER ASSY	1				
8	36400095120	BEARING	2				
9	80500006206	BEARING,BALL	2				
10	91280416790	SEAL,OIL	1				
11	36400095070	COVER (BEARING)	1				
12	36400095080	PACKING (COVER)	1				
13	36400095090	SHIM	N				
14	90101206012	BOLT	1		M6X12		
15	36400095130	WASHER	1				
16	90191208014	BOLT	3		M8X14		
17	90302040801	WASHER,SPRING	7		8		
18	36400095110	PACKING	1				
19	90191208020	BOLT	4		M8X20		
20	80602110520	RING,RITAINING	2		R52		
22	36400055070	PACKING	1				
23	36400195030	BOLT,STUD	4				
24	90267201000	NUT	4		M10		
25	90193210025	BOLT	2		M10X25		
26	90302041001	WASHER,SPRING	6		10		
27	31790660100	SUPPORT	1				
28	90191208025	BOLT	2		M8X25		
50	36401660000	POWER TAKE OFF	1				
100	31791580000	POWER TAKE OFF	1				

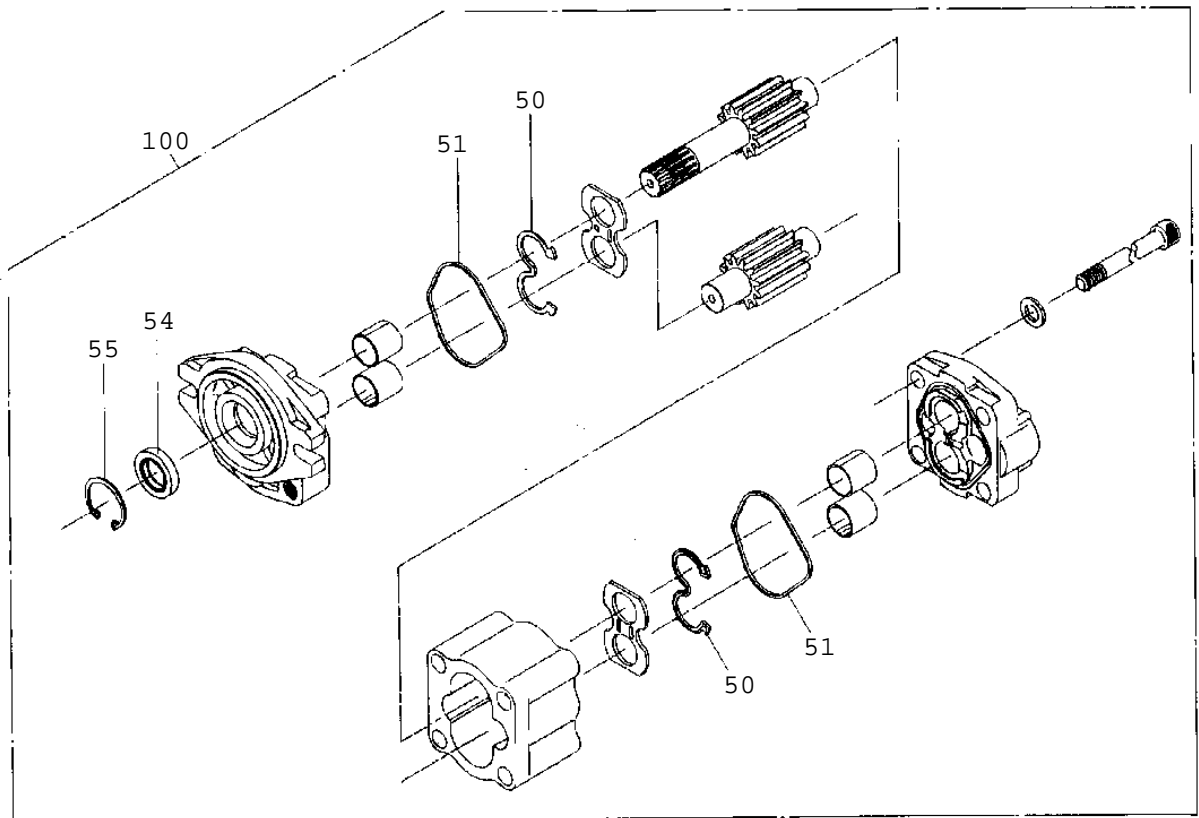
TM-ZF360 41102210360A FRAME/STD,REMOTE-RADIO CONT.,HOOK-IN
PB1030187-01 POWER TAKE OFF



TM-ZF360 41102210360A FRAME/STD,REMOTE-RADIO CONT.,HOOK-IN

Pos No.	Parts No	Parts Name	Qty	Unit	Technical Data	Serial No (Start)	Ser
1	36401685010	CASE	1				
2	36401685020	GEAR	1				
3	36401685030	SHAFT	1				
4	36400395050	SHAFT	1				
5	36401675040	COLLAR	1				
6	36401685040	GEAR	1				
7	36401675060	SHIFTER SET	1				
8	36400135070	BEARING	2				
9	80500006206	BEARING,BALL	2				
10	91206030005	SEAL,OIL	1				
11	36400095070	COVER (BEARING)	1				
12	36400095080	PACKING (COVER)	1				
13	36400095090	SHIM	N				
14	90101206015	BOLT	1		M6X15		
15	36400095130	WASHER	1				
16	90191208014	BOLT	3		M8X14		
17	90302040801	WASHER,SPRING	7		8		
18	36400995080	PACKING	1				
19	90191208020	BOLT	4		M8X20		
20	80602110620	RING,RITAINING	2		R62		
22	36401675080	SHIM	N				
23	36400095150	BOLT,STUD	4		M10X1.25/1.5X43		
24	90267201000	NUT	4		M10		
25	90191210030	BOLT	4		M10X30		
26	90302041001	WASHER,SPRING	8		10		
27	31791060100	SUPPORT	1				
28	90191208025	BOLT	2		M8X25		
50	36401680000	POWER TAKE OFF	1				
100	31791490000	POWER TAKE OFF	1				

TM-ZF360 41102210360A FRAME/STD,REMOTE-RADIO CONT.,HOOK-IN
PB1100099-00 PUMP,HYDRAULIC (LEFT,SPLINE 13)

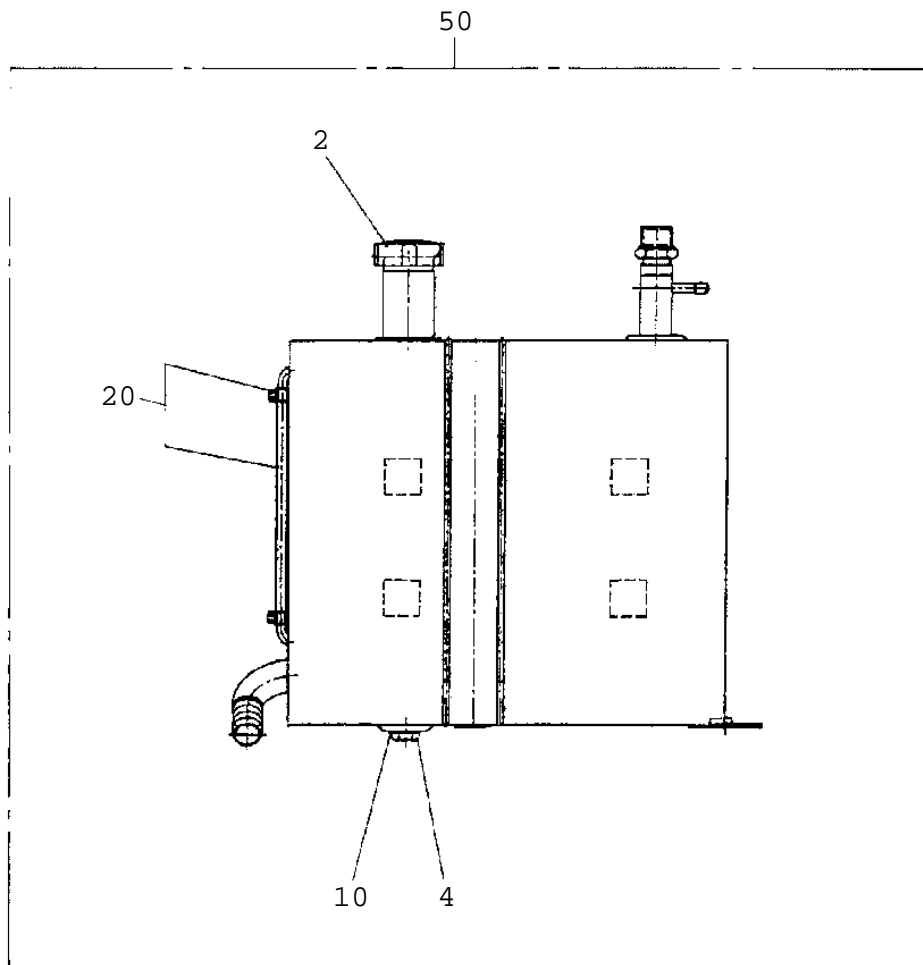
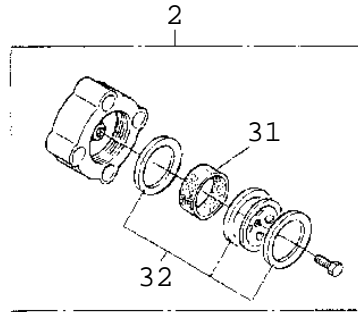


TM-ZF360 41102210360A FRAME/STD,REMOTE-RADIO CONT.,HOOK-IN

Pos No.	Parts No	Parts Name	Qty	Unit	Technical Data	Serial
50	36652335010	GASKET	2			
51	36652335020	GASKET	2			
54	53063551010	SEAL,OIL	1			
55	80602110360	RING,RITAINING	1		R36	
100	36652730000	PUMP,HYDRAULIC (LEFT,SPLINE 13)	1			

TM-ZF360 41102210360A FRAME/STD,REMOTE-RADIO CONT.,HOOK-IN
PB1130159-00 TANK,OIL

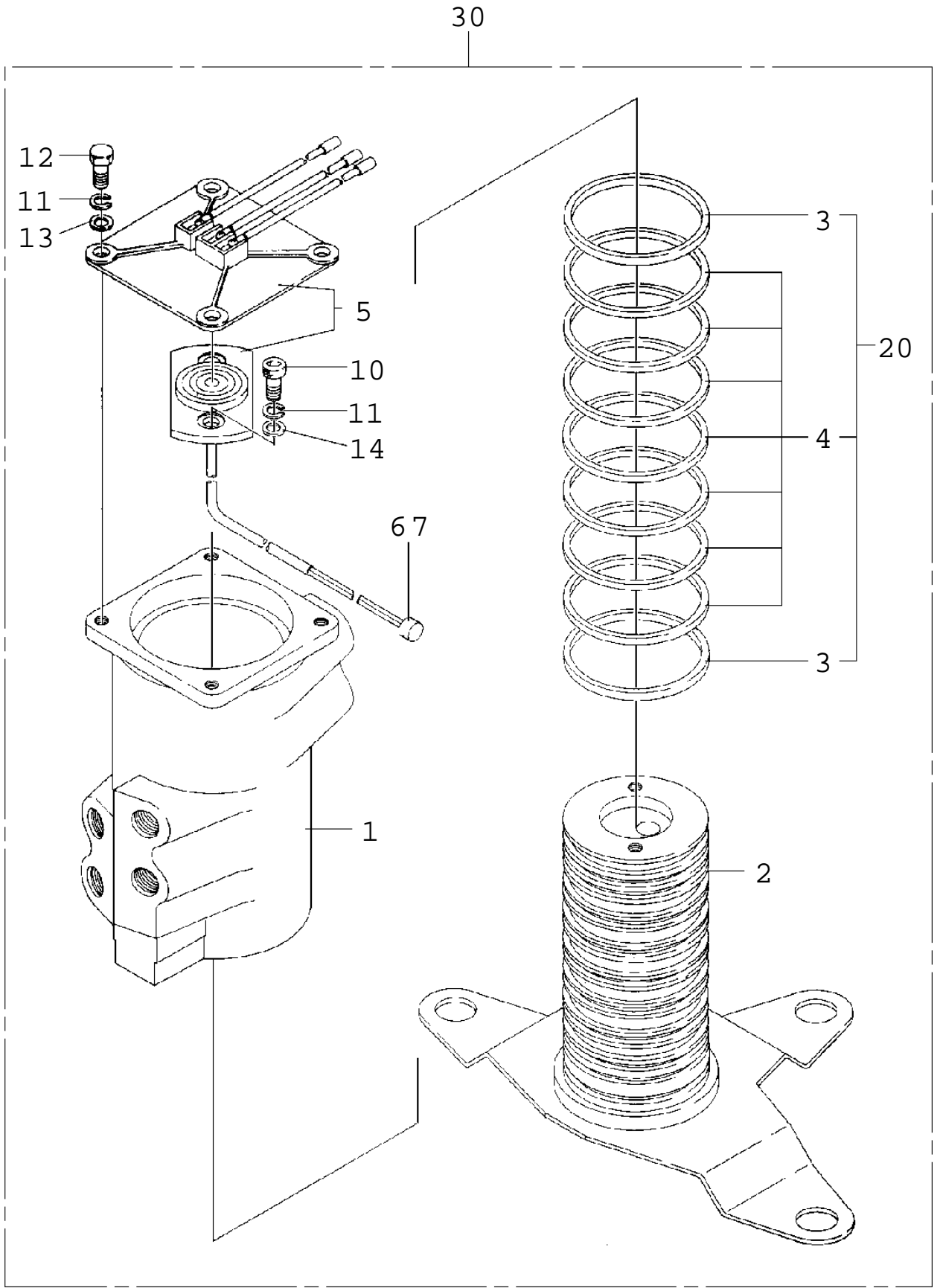
TANK, OIL



TM-ZF360 41102210360A FRAME/STD,REMOTE-RADIO CONT.,HOOK-IN

Pos No.	Parts No	Parts Name	Qty	Unit	Technical Data	Serial No (St
2	53156005000	BREATHER ASSY (OB-10T)	1			
4	31660005030	PLUG	1			
10	36101985010	GASKET	1			
20	36102255010	GAUGE ASSY	1		L=265	
31	53156005010	ELEMENT (OB-10T & OB-10B)	1			
32	53156005020	PACKING SET	1			
50	36102250000	TANK,OIL	1			

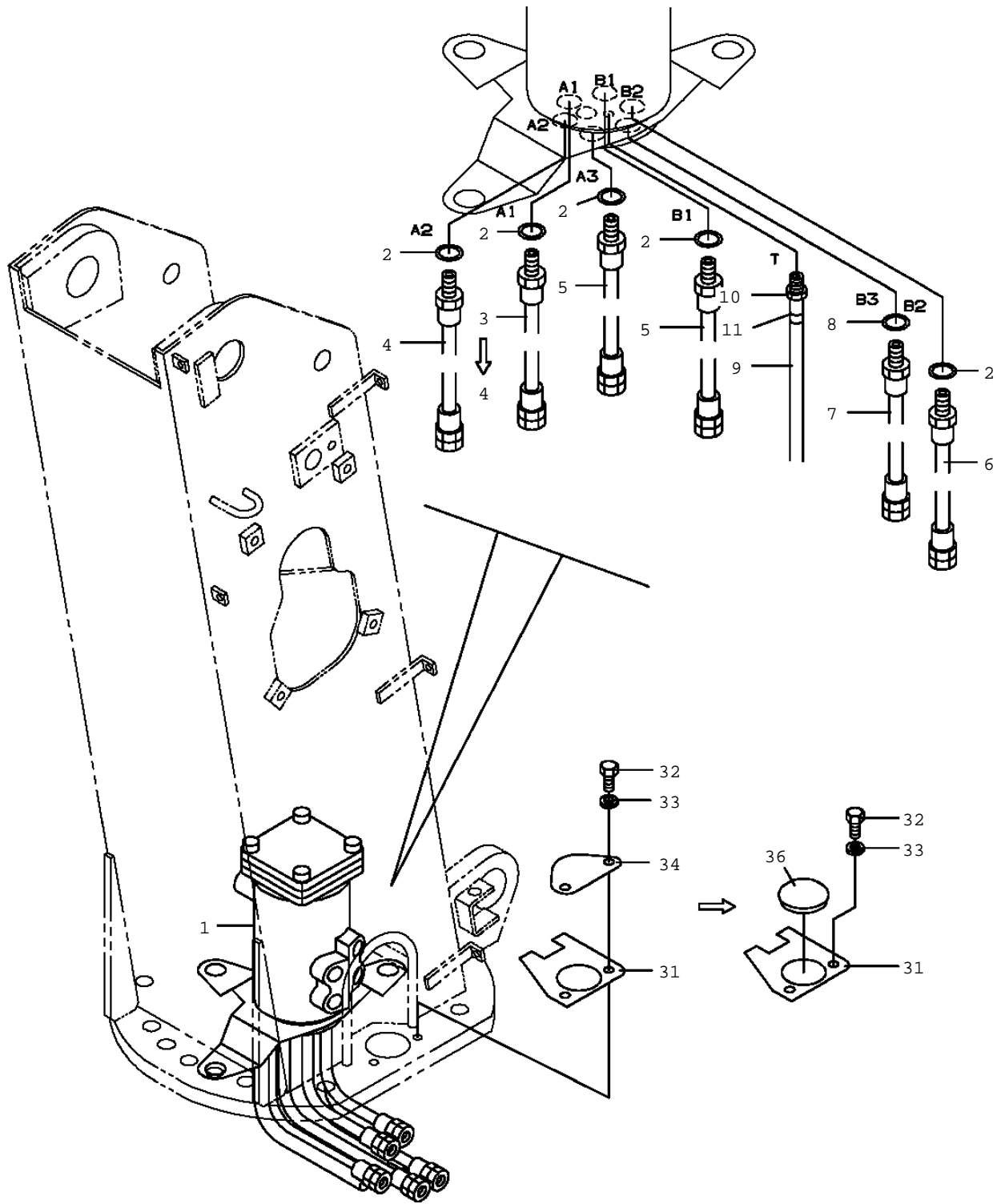
TM-ZF360 41102210360A FRAME/STD,REMOTE-RADIO CONT.,HOOK-IN
PB1300181-01 JOINT,ROTARY



TM-ZF360 41102210360A FRAME/STD,REMOTE-RADIO CONT.,HOOK-IN

Pos No.	Parts No	Parts Name	Qty	Unit	Technical Data	Serial No (Start
1	31630475100	BODY	1			
2	31630475200	CORE	1			
3	91531208000	PACKING	2			
4	91100308000	RING,SEAL	7			
5	31630735500	RING,SLIP (WITH BRUSH)	1			
6	82121502030	PLATE	1			
7	82114203030	CONNECTOR (CAP)	1			
10	90180208016	BOLT,BUTTON	2		M8X16	
11	90302040801	WASHER,SPRING	6		8	
12	90102208014	BOLT	4		M8X14	
13	90303070801	WASHER,PLAIN	4		8	
14	90303100801	WASHER,PLAIN	2		8	
20	31630479910	PACKING SET	1			
30	31630730000	JOINT,ROTARY	1			

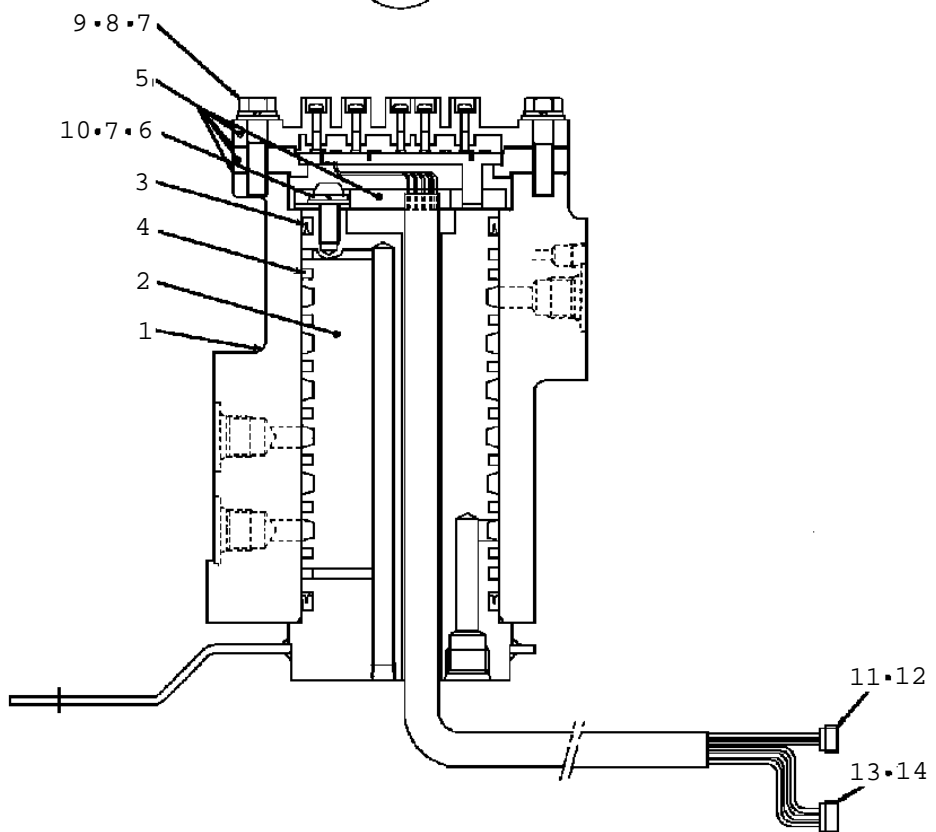
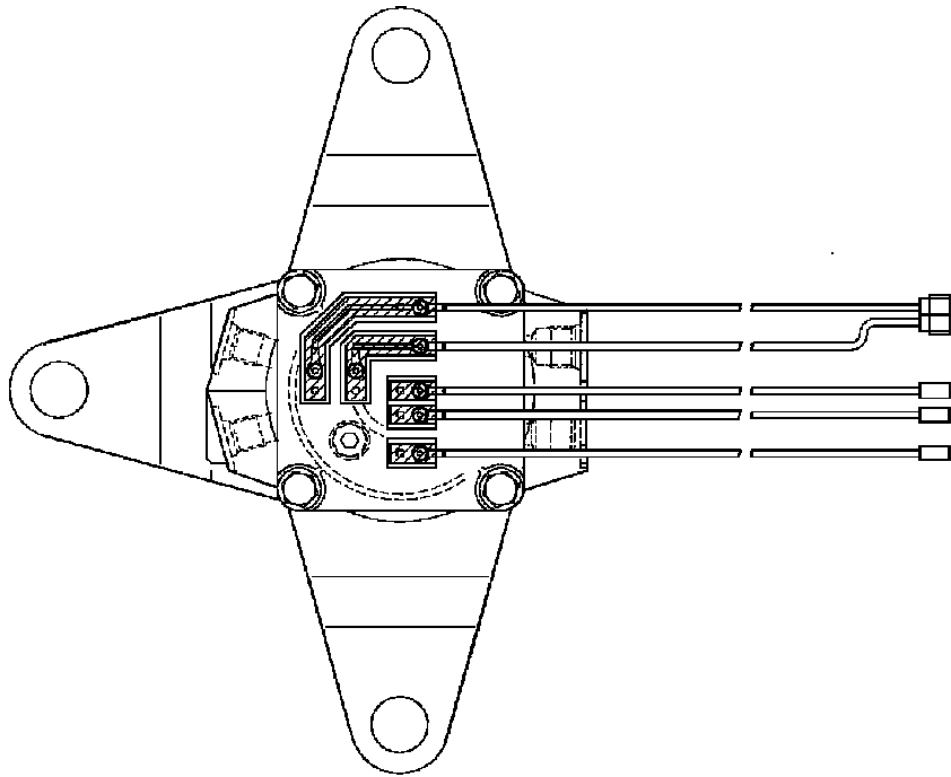
TM-ZF360 41102210360A FRAME/STD,REMOTE-RADIO CONT.,HOOK-IN
PB1300185-02 JOINT,ROTARY (MOUNT)



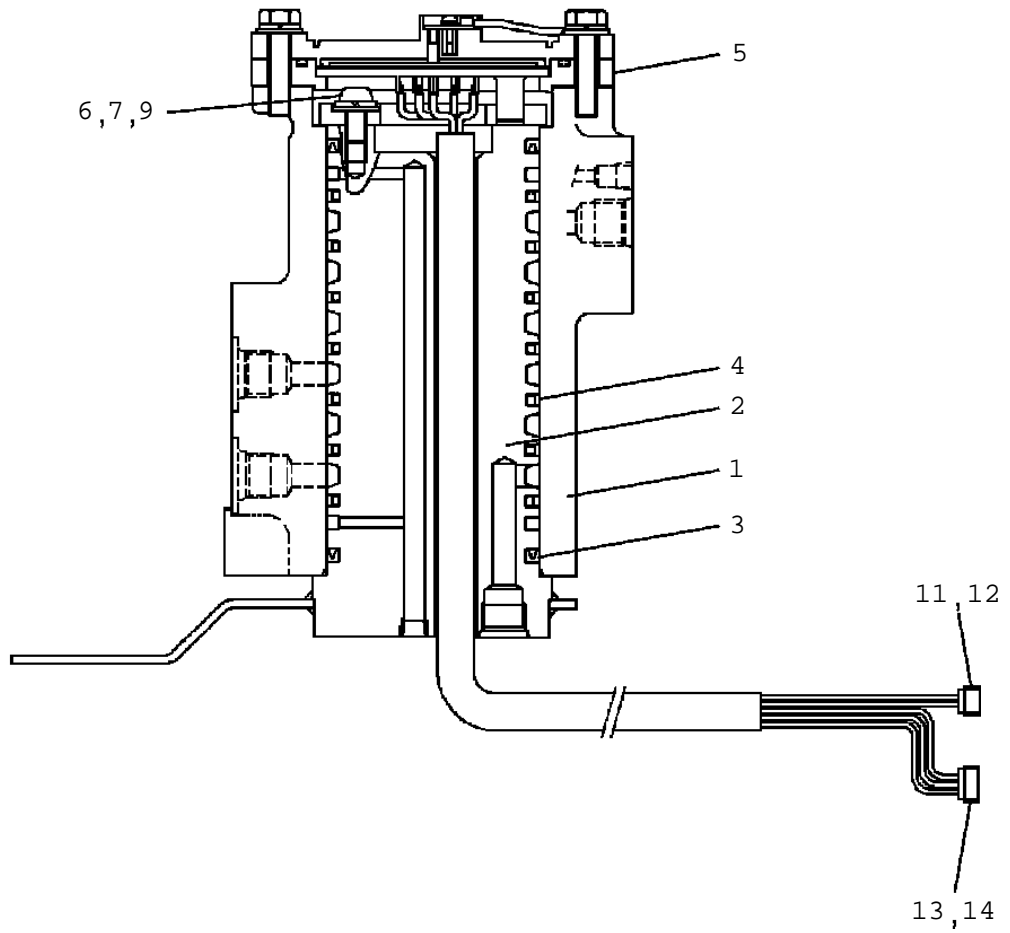
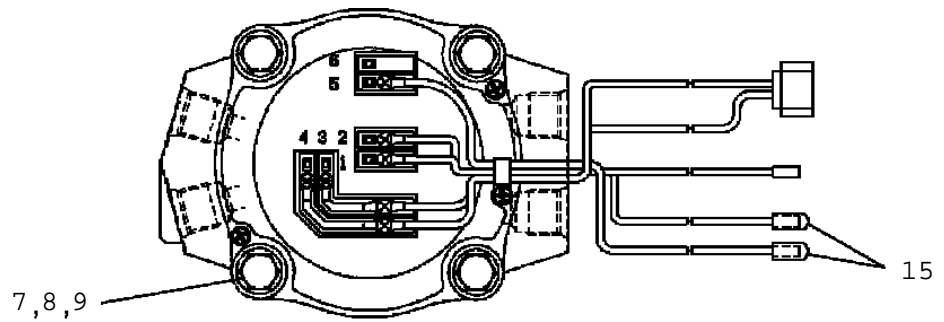
TM-ZF360 41102210360A FRAME/STD,REMOTE-RADIO CONT.,HOOK-IN

Pos No.	Parts No	Parts Name	Qty	Unit	Technical Data	Serial No (Start)	Seri
1	31630730000 (*****))	JOINT,ROTARY	1				EP06
		JOINT,ROTARY	1			EP0660	
2	91002801400	O-RING	5		1B P14		
4	37002439140	HOSE	2		L=1000		
5	37002458020	HOSE	2		L=930		
6	37002450960	HOSE	1		L=890		
7	37002458030	HOSE	1		L=890		
8	91002801100	O-RING	1		1B P11		
9	37002511530	HOSE	1		L=650		
10	31641031000	JOINT	1				
11	91803600200	CLIP	1		D=13-20		
31	31630481000	PLATE	1				
32	90171110020	BOLT	2		M10X20		
33	90302041001	WASHER,SPRING	2		10		
34	31630482000	PLATE	1				EP04
36	31630482500	CAP	1			EP0497	

TM-ZF360 41102210360A FRAME/STD,REMOTE-RADIO CONT.,HOOK-IN
PB1300301-01 JOINT,ROTARY



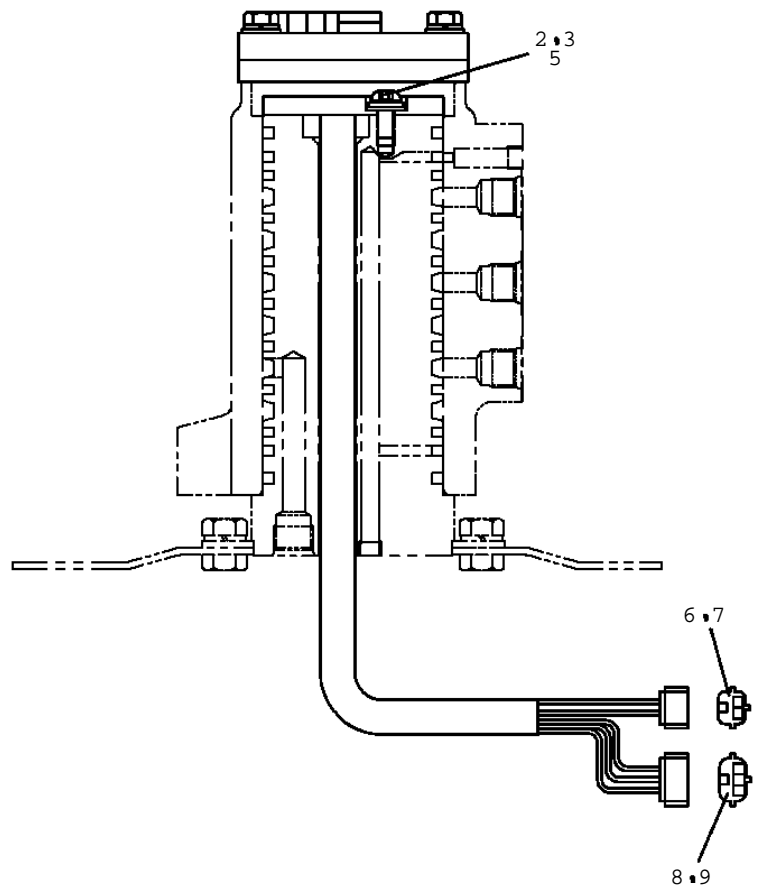
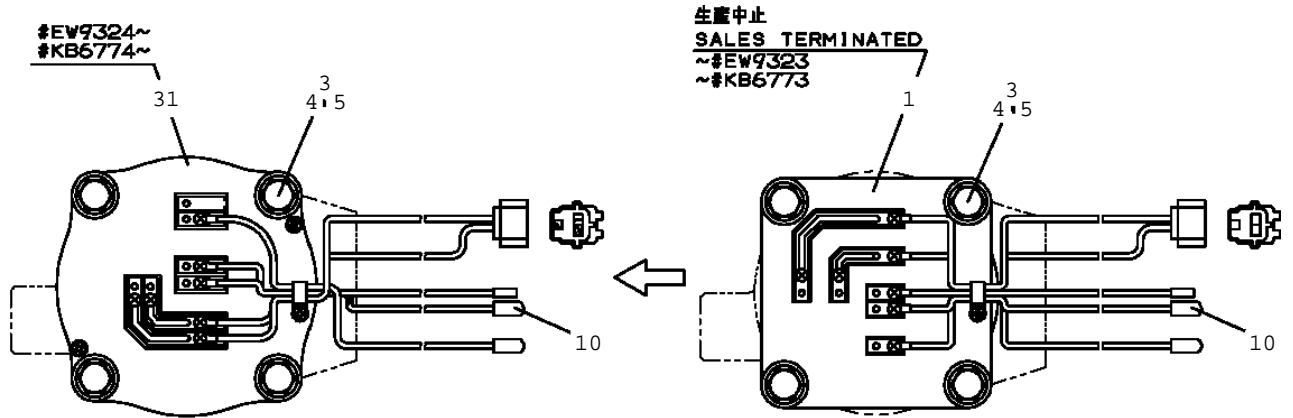
TM-ZF360 41102210360A FRAME/STD,REMOTE-RADIO CONT.,HOOK-IN
PB1300301-01 JOINT,ROTARY



TM-ZF360 41102210360A FRAME/STD,REMOTE-RADIO CONT.,HOOK-IN

Pos No.	Parts No	Parts Name	Qty	Unit	Technical Data	Serial No (
1	31630475100	BODY	1			
2	31630475200	CORE	1			
3	91531208000	PACKING	2			
4	91100308000	RING,SEAL	7			
5	31631060040	BRUSH ASSY (WITH SLIP RING)	1			
	31631803000	RING ASSY,SLIP	1			KA6348
6	90180208016	BOLT,BUTTON	2		M8X16	
7	90302040801	WASHER,SPRING	6		8	
8	90102208035	BOLT	4		M8X35	
9	90303070801	WASHER,PLAIN	4		8	
	90303070801	WASHER,PLAIN	6		8	KA6348
10	90303100801	WASHER,PLAIN	2		8	
11	82114203020	CONNECTOR (CAP)	1			
12	82121502020	PLATE	1			
13	82114203030	CONNECTOR (CAP)	1			
14	82121502030	PLATE	1			
15	82100002855	CAP	2			KA6348

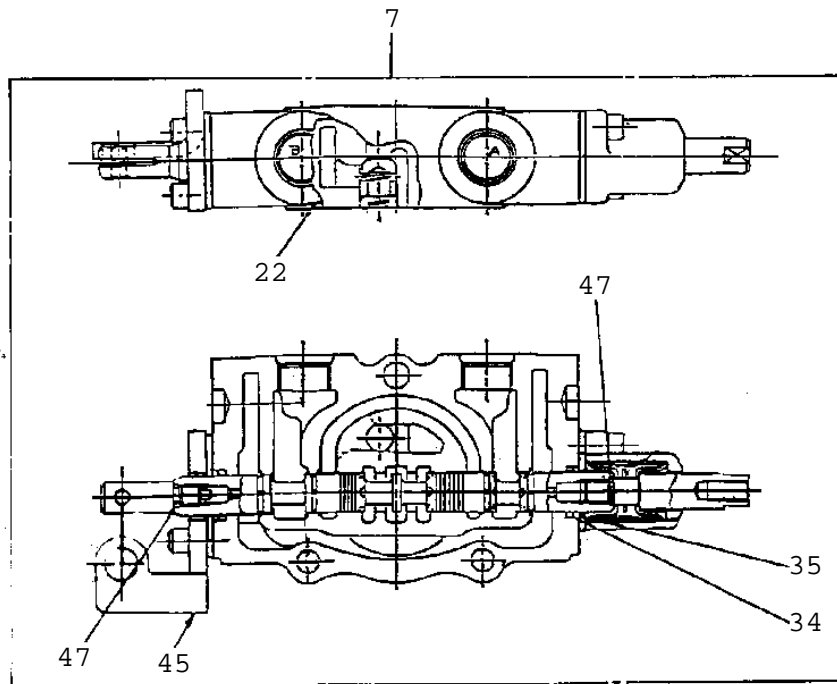
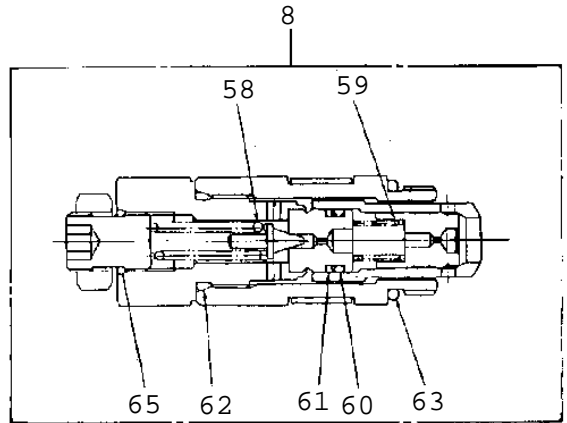
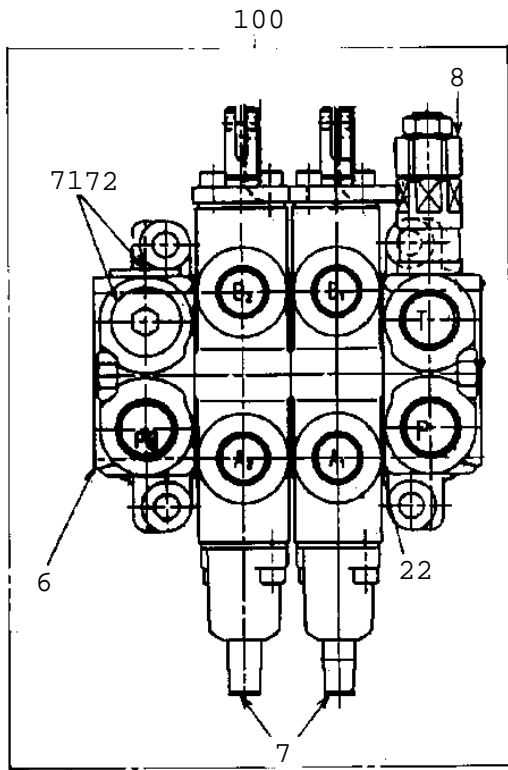
TM-ZF360 41102210360A FRAME/STD,REMOTE-RADIO CONT.,HOOK-IN
PB1300430-01 JOINT,ROTARY (RING ASSY,SLIP)



TM-ZF360 41102210360A FRAME/STD,REMOTE-RADIO CONT.,HOOK-IN

Pos No.	Parts No	Parts Name	Qty	Unit	Technical Data	Serial No (Start)	Seri
1	31631061000	RING,SLIP	1				
2	90180208016	BOLT,BUTTON	2		M8X16		
3	90302040801	WASHER,SPRING	6		8		
4	90102208035	BOLT	4		M8X35		
5	90303070801	WASHER,PLAIN	6		8		
6	82114203020	CONNECTOR (CAP)	1				
7	82121502020	PLATE	1				
8	82114203030	CONNECTOR (CAP)	1				
9	82121502030	PLATE	1				
10	82100002855	CAP	2				
31	31631803000	RING ASSY,SLIP	1			KB6774	

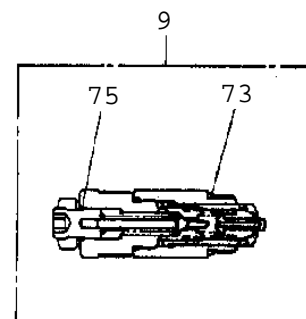
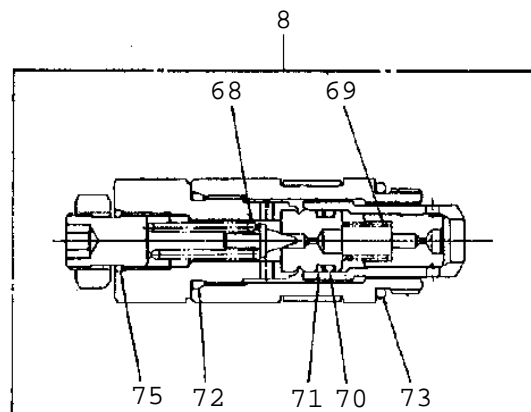
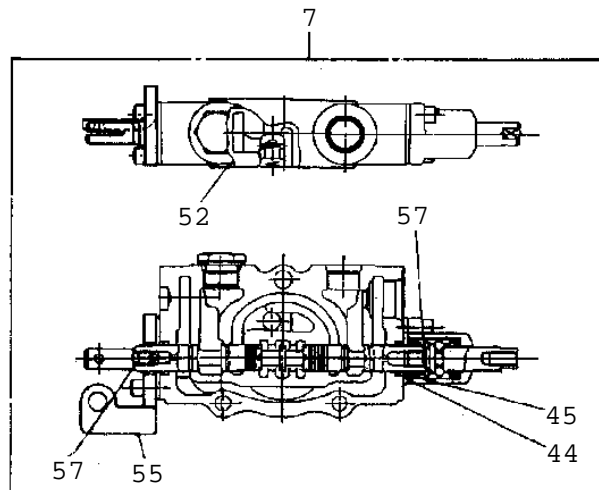
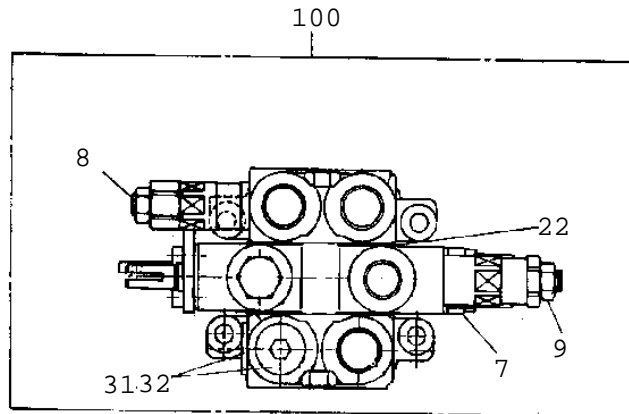
TM-ZF360 41102210360A FRAME/STD,REMOTE-RADIO CONT.,HOOK-IN
PB1320258-01 VALVE,MANUAL CONTROL (REAR OUTRIGGER)



TM-ZF360 41102210360A FRAME/STD,REMOTE-RADIO CONT.,HOOK-IN

Pos No.	Parts No	Parts Name	Qty	Unit	Technical Data	S
6	36635625060	OUTLET	1			
7	36635635010	VALVE,CONTROL	2			
8	36641235030	VALVE,RELIEF	1			
22	36640765060	O-RING	3			
34	36635545020	O-RING	4			
35	36635545030	WIPER	4			
45	36635545040	BRACKET	2			
47	36635545050	O-RING	4			
58	36641235070	SPRING	1			
59	36641235080	SPRING	1			
60	36641235090	O-RING	1			
61	91411001000	RING,BACKUP	1		TIP10A	
62	91000590800	O-RING	1		AS568-908	
63	36640765130	O-RING	1			
65	91002801000	O-RING	1		1B P10	
71	36635545060	PLUG	4			
72	91002801800	O-RING	4		1B P18	
100	36635620000	VALVE,MANUAL CONTROL (REAR OUTRIGGER)	1			

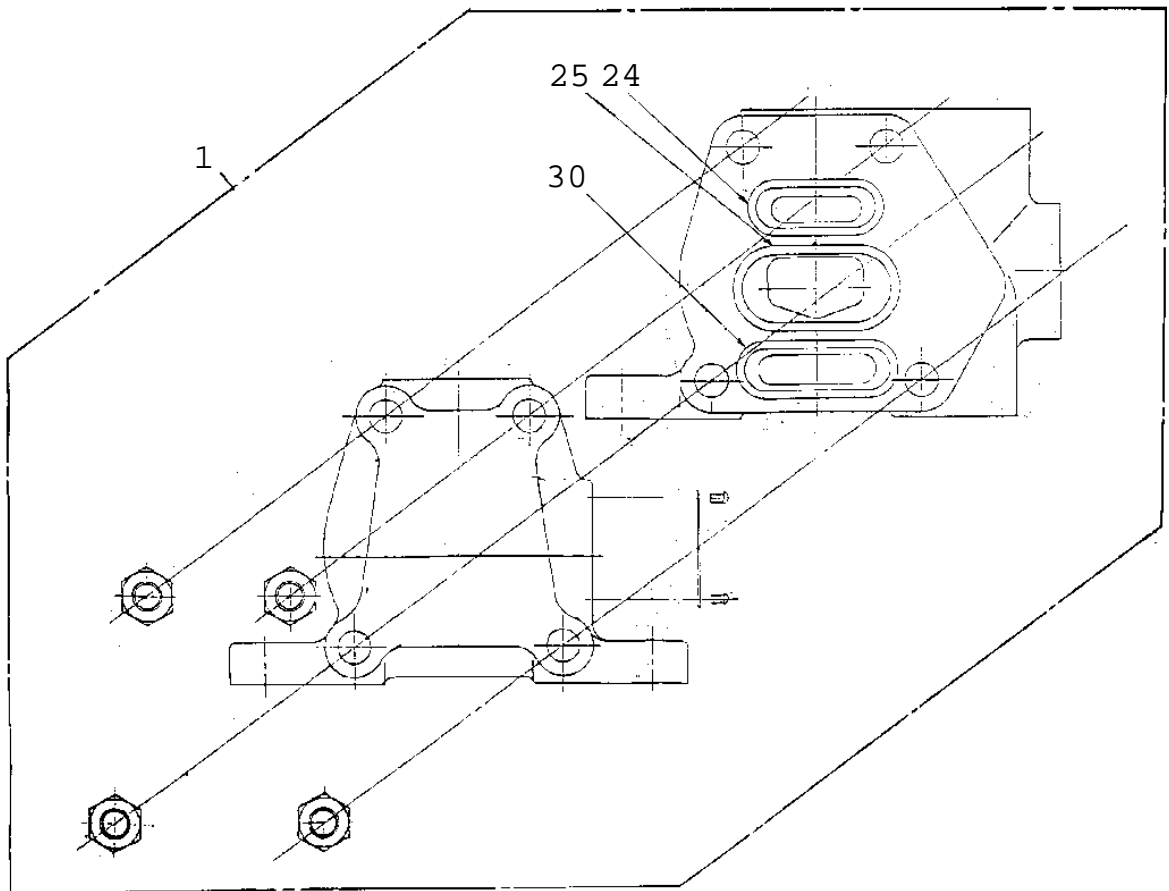
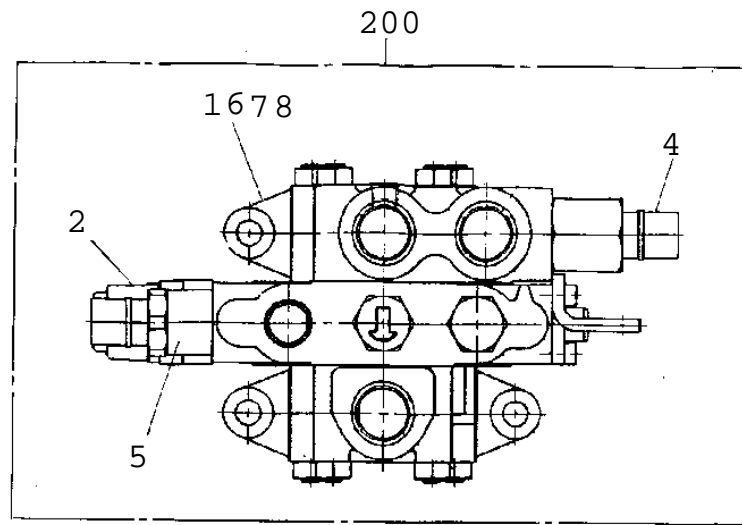
TM-ZF360 41102210360A FRAME/STD,REMOTE-RADIO CONT.,HOOK-IN
PB1320271-00 VALVE,MANUAL CONTROL (POWER SUPPLY)



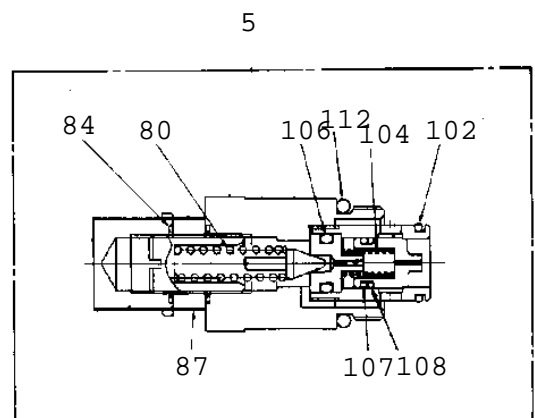
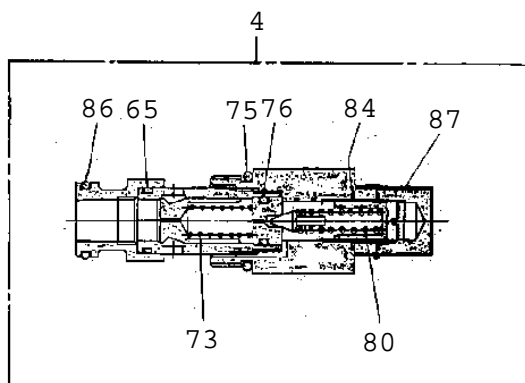
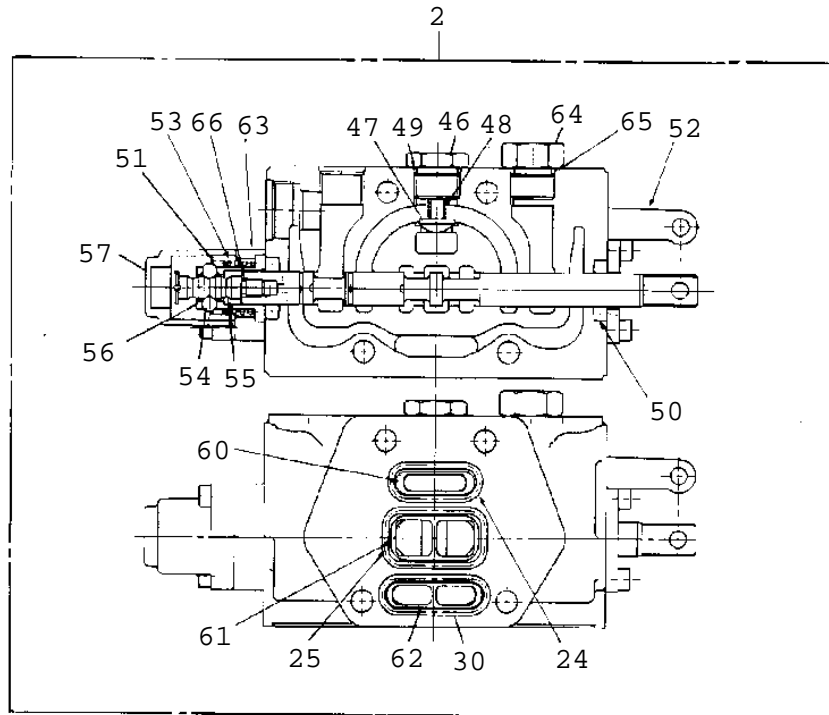
TM-ZF360 41102210360A FRAME/STD,REMOTE-RADIO CONT.,HOOK-IN

Pos No.	Parts No	Parts Name	Qty	Unit	Technical Data	Ser
7	36635615010	VALVE,CONTROL	1			
8	36641235030	VALVE,RELIEF	1			
9	36635615020	VALVE,RELIEF	1			
22	36640765060	O-RING	1			
31	36635545060	PLUG	2			
32	91002801800	O-RING	2		1B P18	
44	36635545020	O-RING	2			
45	36635545030	WIPER	2			
52	36640765060	O-RING	1			
55	36635545040	BRACKET	1			
57	36635545050	O-RING	2			
68	36641235070	SPRING	1			
69	36641235080	SPRING	1			
70	36641235090	O-RING	1			
71	91411001000	RING,BACKUP	1		TIP10A	
72	91000590800	O-RING	1		AS568-908	
73	36640765130	O-RING	2			
75	91002801000	O-RING	2		1B P10	
100	36635610000	VALVE,MANUAL CONTROL (POWER SUPPLY)	1			

TM-ZF360 41102210360A FRAME/STD,REMOTE-RADIO CONT.,HOOK-IN
PB1320292-01 VALVE,MANUAL CONTROL



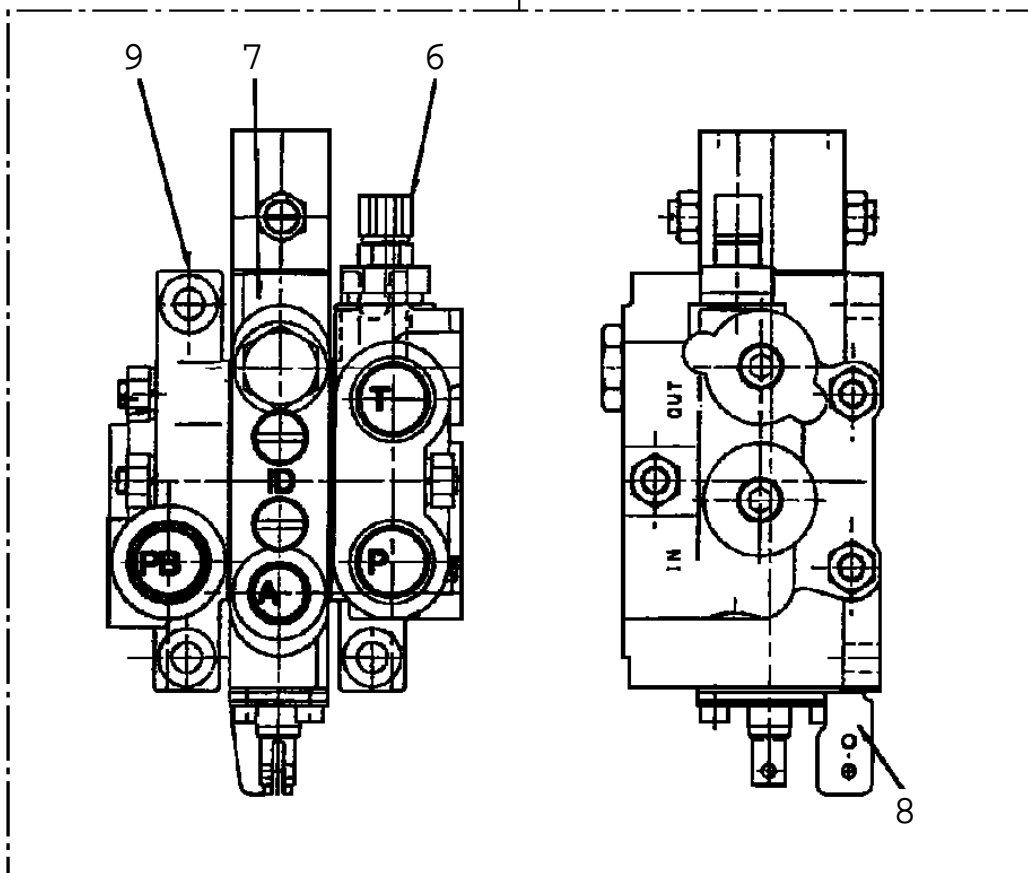
TM-ZF360 41102210360A FRAME/STD,REMOTE-RADIO CONT.,HOOK-IN
PB1320292-01 VALVE,MANUAL CONTROL



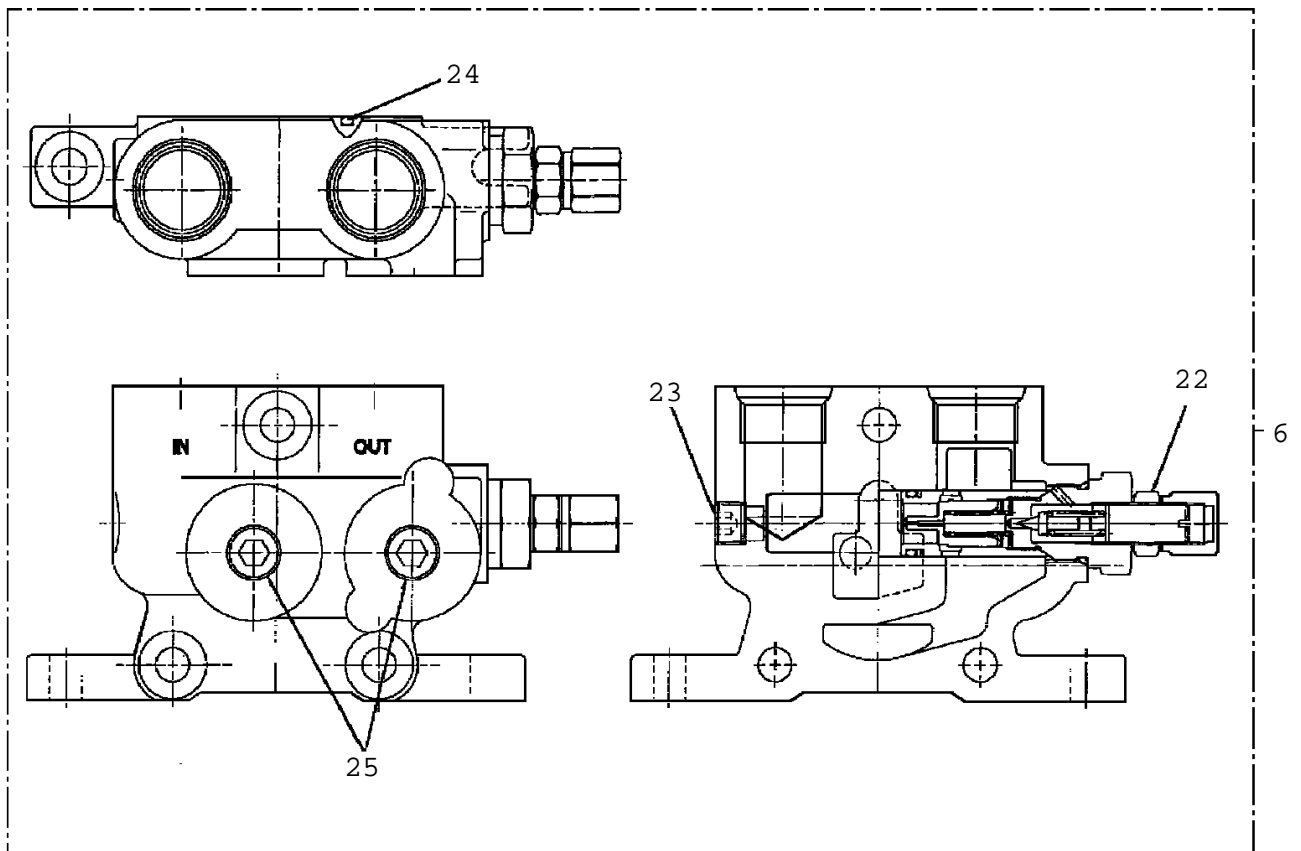
TM-ZF360 41102210360A FRAME/STD,REMOTE-RADIO CONT.,HOOK-IN

Pos No.	Parts No	Parts Name	Qty	Unit	Technical Data	Serial No (Start)
1	36635725010	COVER	1			
2	36635725020	VALVE,CONTROL	1			
4	36635725030	VALVE,RELIEF	1			
5	36635725040	VALVE,RELIEF	1			
6	36635725050	RING (A)	1			
7	36635725060	RING (X)	1			
8	36635725070	RING (C)	1			
24	91002903000	O-RING	2		1B G30	
25	91002904000	O-RING	2		1B G40	
30	91002903500	O-RING	2		1B G35	
46	13115103260	PLUG	1			
47	09115101100	VALVE,CHECK	1			
48	09115101080	SPRING	1			
49	19215101010	O-RING	1			
50	13115103030	SEAL,OIL	2			
51	13115103160	RETAINER (BALL)	1			
52	56451331080	COVER	1			
53	13115103170	SPRING	1			
54	80560007000	BALL,STEEL	2		7	
55	13115103140	NOTCH	1			
56	13115103150	CASE (BALL)	1			
57	36635725090	COVER (SPRING)	1			
60	36635725050	RING (A)	1			
61	36635725060	RING (X)	1			
62	36635725070	RING (C)	1			
63	13115103180	RETAINER (SEAL)	1			
64	36630295070	PLUG	1			
65	91002801800	O-RING	2		1B P18	
66	91002800600	O-RING	1		1B P6	
73	36630365030	SPRING	1			
75	91002802600	O-RING	1		1B P26	
76	91002801100	O-RING	1		1B P11	
80	16025153020	SPRING	2			
84	91001001600	O-RING	4		1A S16	
86	91002802100	O-RING	1		1B P21	
87	36630045230	TUBE	2			
102	91000501500	O-RING	1		AS568-015	
104	16025153030	SPRING	1			
106	91002801001	O-RING	1		1B P10A	
107	36630755040	O-RING	1		1A WP6	
108	36631215050	RING,BACKUP	1			
112	16095101070	O-RING	1			
200	36635720000	VALVE,MANUAL CONTROL	1			

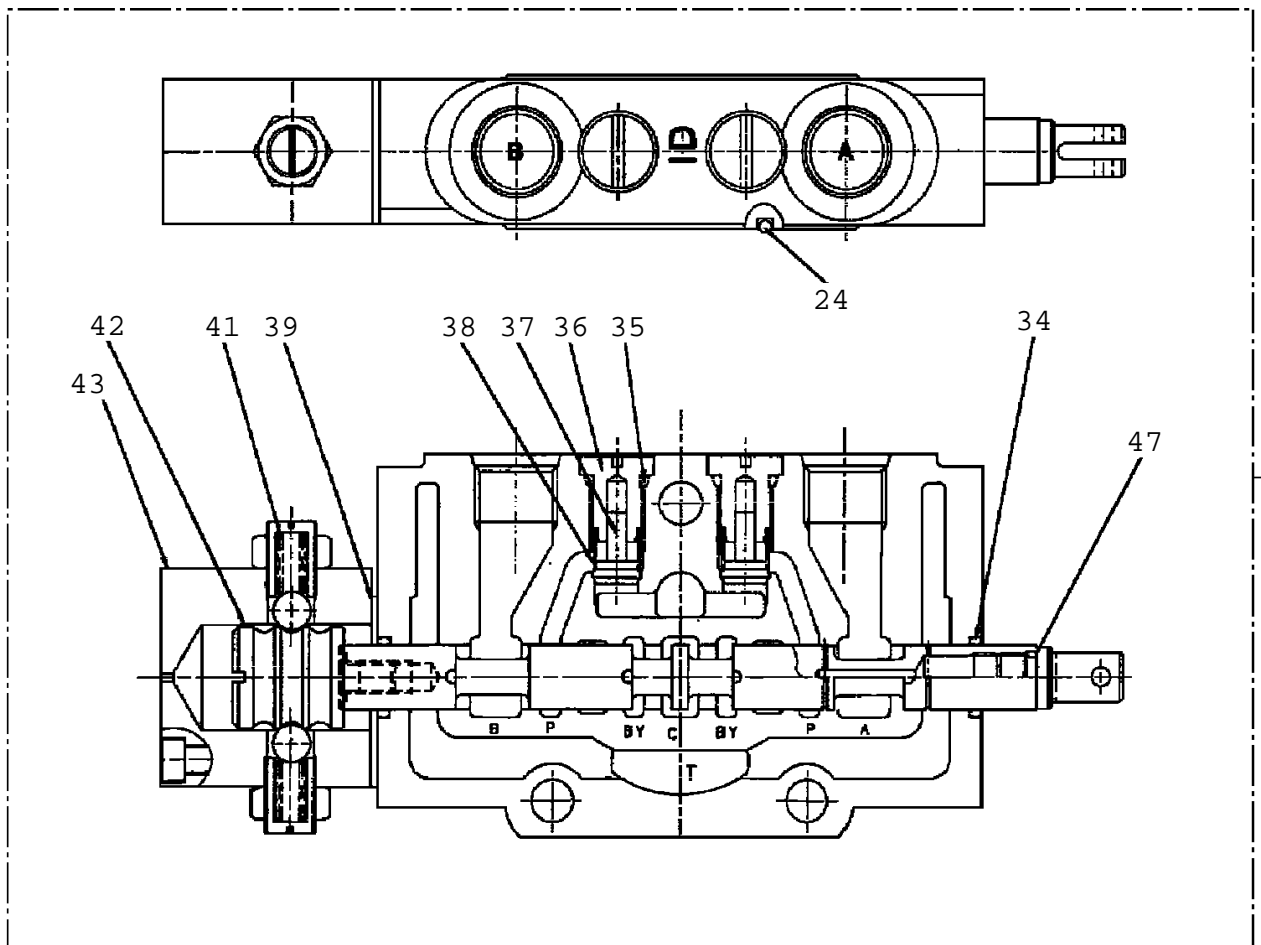
100



TM-ZF360 41102210360A FRAME/STD,REMOTE-RADIO CONT.,HOOK-IN
PB1320456-00 VALVE,MANUAL CONTROL (DUMP)



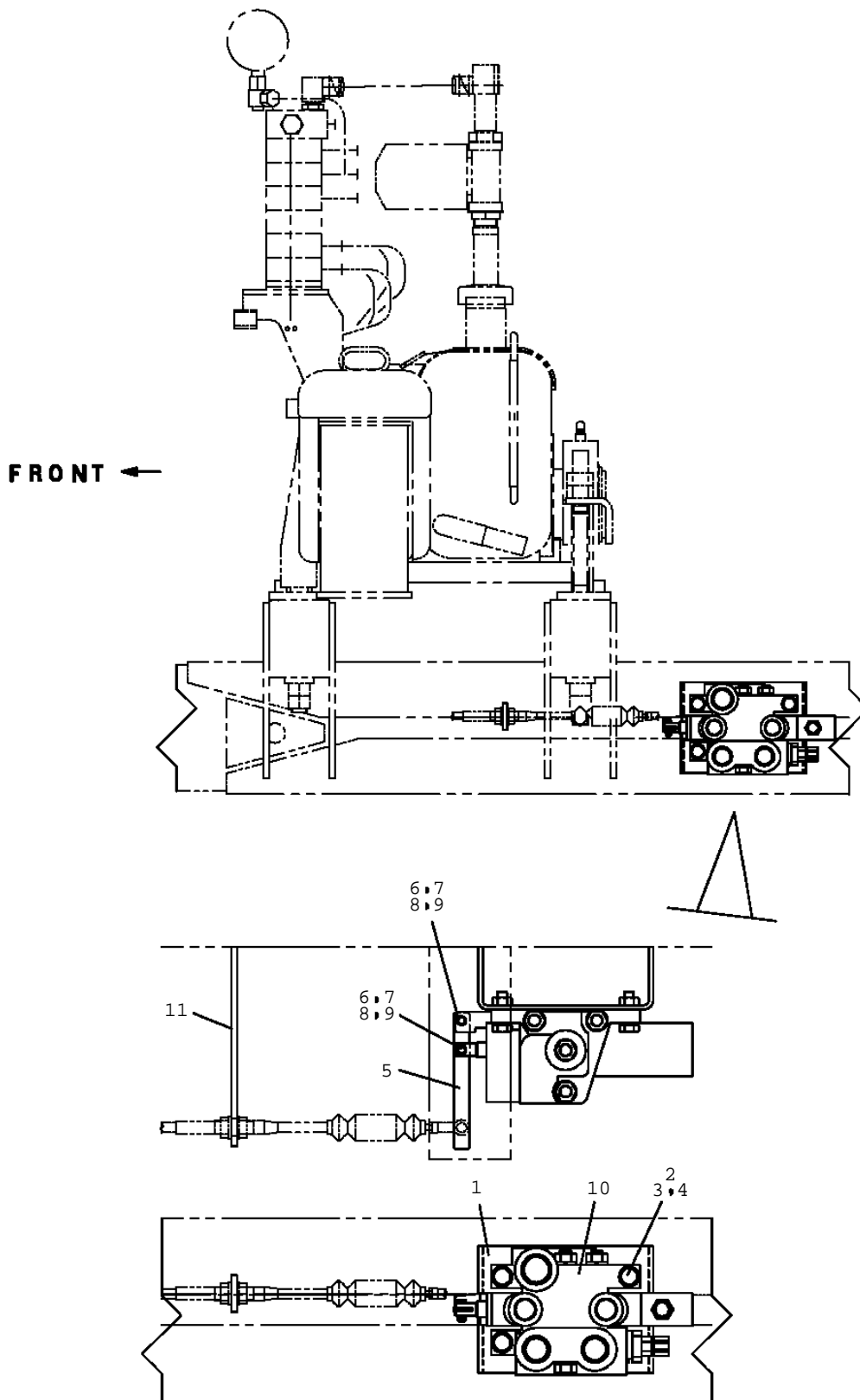
TM-ZF360 41102210360A FRAME/STD,REMOTE-RADIO CONT.,HOOK-IN
PB1320456-00 VALVE,MANUAL CONTROL (DUMP)



TM-ZF360 41102210360A FRAME/STD,REMOTE-RADIO CONT.,HOOK-IN

Pos No.	Parts No	Parts Name	Qty	Unit	Technical Data	Serial No (
6	36637045010	COVER ASSY (INLET)	1			
7	36637045020	VALVE,CONTROL	1			
8	36637045030	BLOCK (L)	1			
9	36637045040	COVER (OUTLET)	1			
22	36637045050	VALVE,RELIEF	1			
23	80316030040	PLUG	1		PT1/4	
24	91001205500	O-RING	2		1A G55	
25	80316030060	PLUG	2		PT3/8	
34	91001101600	O-RING	2		1A P16	
35	91002801200	O-RING	2		1B P12	
36	36637045060	PLUG	2			
37	36637045070	VALVE,CHECK	2			
38	36637045080	SPRING	2			
39	36637045090	RETAINER	1			
41	36637045100	SPRING (DETENT)	2			
42	36637045110	GUIDE (BALL)	1			
43	36637045120	CAP (DETENT)	1			
47	91002801000	O-RING	1		1B P10	
100	36637040000	VALVE,MANUAL CONTROL (DUMP)	1			

TM-ZF360 41102210360A FRAME/STD,REMOTE-RADIO CONT.,HOOK-IN
PB1320516-00 VALVE,MANUAL CONTROL(DUMP/NIHON SPINDLE)

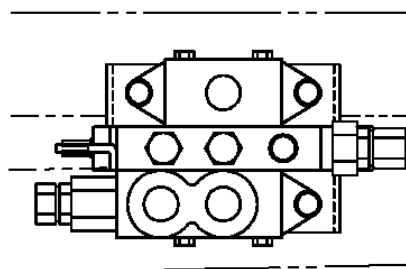
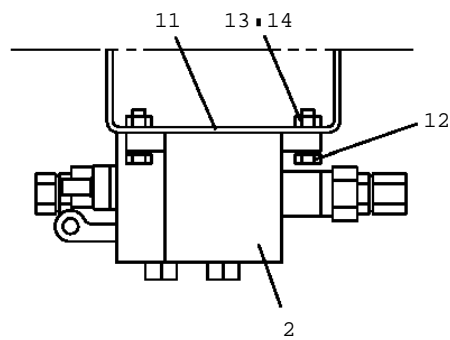
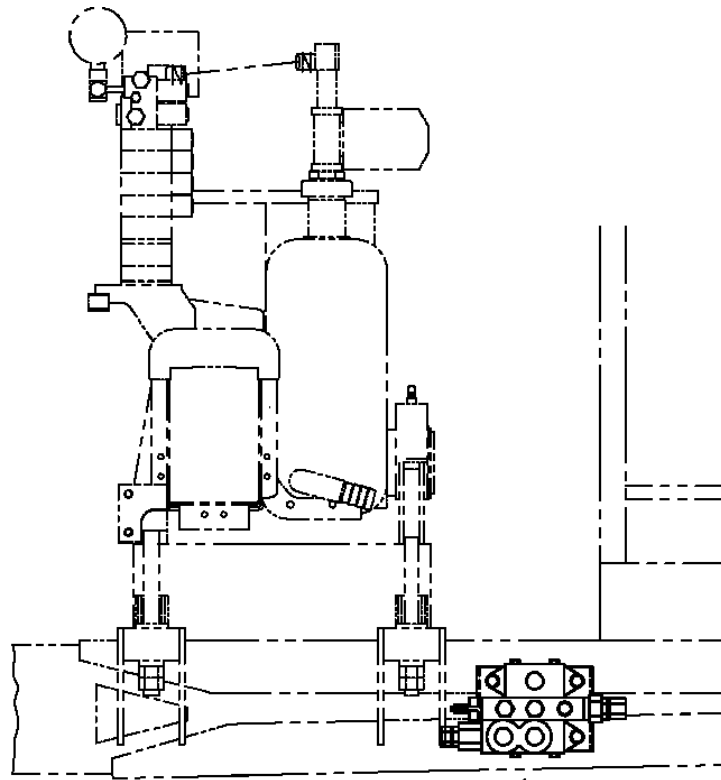


TM-ZF360 41102210360A FRAME/STD,REMOTE-RADIO CONT.,HOOK-IN

Pos No.	Parts No	Parts Name	Qty	Unit	Technical Data	Serial No (
1	31760460100	SUPPORT	1			
2	90101210035	BOLT	3		M10X35	
3	90302041001	WASHER,SPRING	3		10	
4	90201201000	NUT	3		M10	
5	31760460200	LINK	1			
6	90101204020	BOLT	2		M4X20	
7	90201200400	NUT	2		M4	
8	90303070401	WASHER,PLAIN	4		4	
9	90302040401	WASHER,SPRING	2		4	
10	36637040000	VALVE,MANUAL CONTROL (DUMP)	1			
11	52243104000	SUPPORT	1			

TM-ZF360 41102210360A FRAME/STD,REMOTE-RADIO CONT.,HOOK-IN
PB1320614-00 VALVE,MANUAL CONTROL (DUMP/NABCO)

FRONT ←



TM-ZF360 41102210360A FRAME/STD,REMOTE-RADIO CONT.,HOOK-IN

Pos No.	Parts No	Parts Name	Qty	Unit	Technical Data	Serial No (Start)
2	36635720000	VALVE,MANUAL CONTROL	1			
11	31473381100	SUPPORT	1			
12	90101210035	BOLT	3		M10X35	
13	90302041001	WASHER,SPRING	3		10	
14	90201201000	NUT	3		M10	

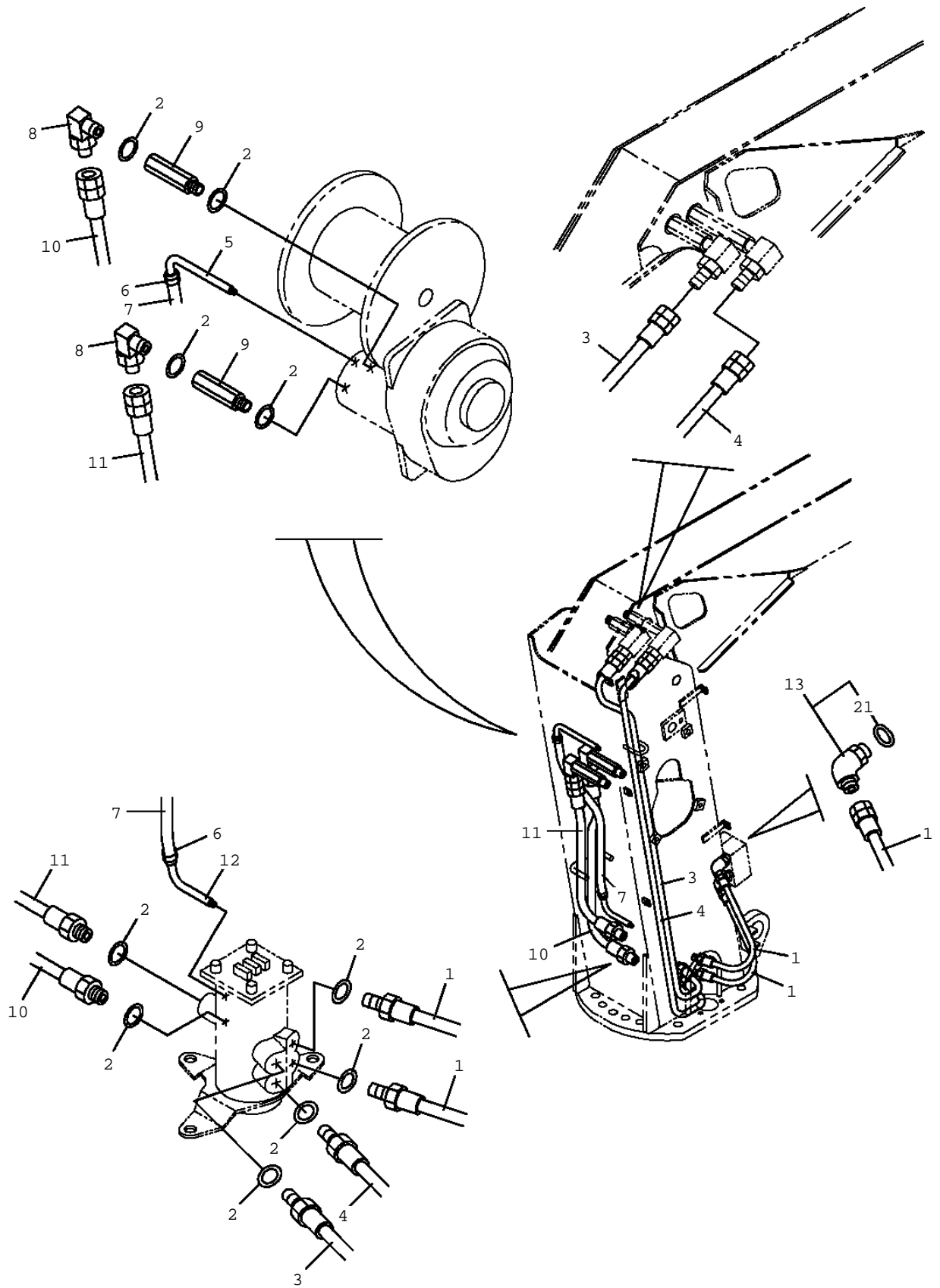
TM-ZF360 41102210360A FRAME/STD,REMOTE-RADIO CONT.,HOOK-IN
PB1380210-00 POWER SUPPLY

1	オペ .ASSY,ソウサバルブ OPE.ASSY,CONT.VALVE
2	パイピング,ロー PIPING,LOWER
3	プレートASSY,ネーム PLATE ASSY,NAME

TM-ZF360 41102210360A FRAME/STD,REMOTE-RADIO CONT.,HOOK-IN

Pos No.	Parts No	Parts Name	Qty	Unit	Technical Data	Serial
1	(*****)	OPE.ASSY,CONT.VALVE (POWER)	1			
2	(*****)	PIPING,LOWER (POWER SUPPLY)	1			
3	(*****)	PLATE ASSY,NAME (POWER SUPPLY)	1			

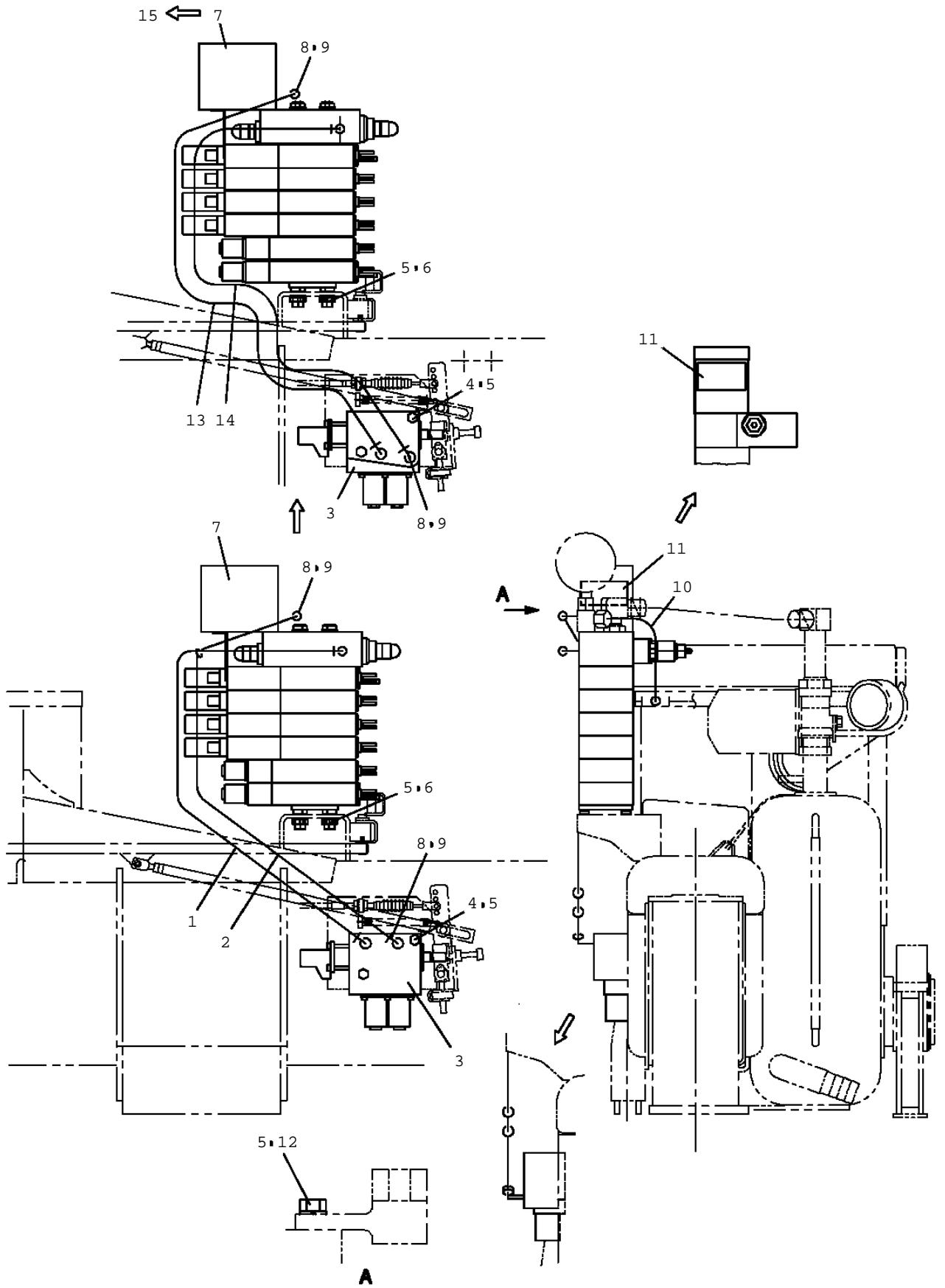
TM-ZF360 41102210360A FRAME/STD,REMOTE-RADIO CONT.,HOOK-IN
PB1400251-00 PIPING,HYDRAULIC UPPER



TM-ZF360 41102210360A FRAME/STD,REMOTE-RADIO CONT.,HOOK-IN

Pos No.	Parts No	Parts Name	Qty	Unit	Technical Data	Serial No (Start)
1	37002448730	HOSE	2		L=330	
2	91002801400	O-RING	10		1B P14	
3	37002459320	HOSE	1		L=1300	
4	37002459330	HOSE	1		L=1360	
5	37000804580	JOINT	1			
6	91803880070	CLIP	2		D=13.1-16.2	
7	37002501360	HOSE	1		L=450	
8	80481103030	JOINT	2		L,G3/8-G3/8	
9	37000920990	JOINT	2			
10	37002448850	HOSE	1		L=600	
11	37002448860	HOSE	1		L=560	
12	37000800310	JOINT	1			
13	37000922540	JOINT (WITH O-RING)	2		45,G1/4-G3/8	
21	91002801100	O-RING	2		1B P11	

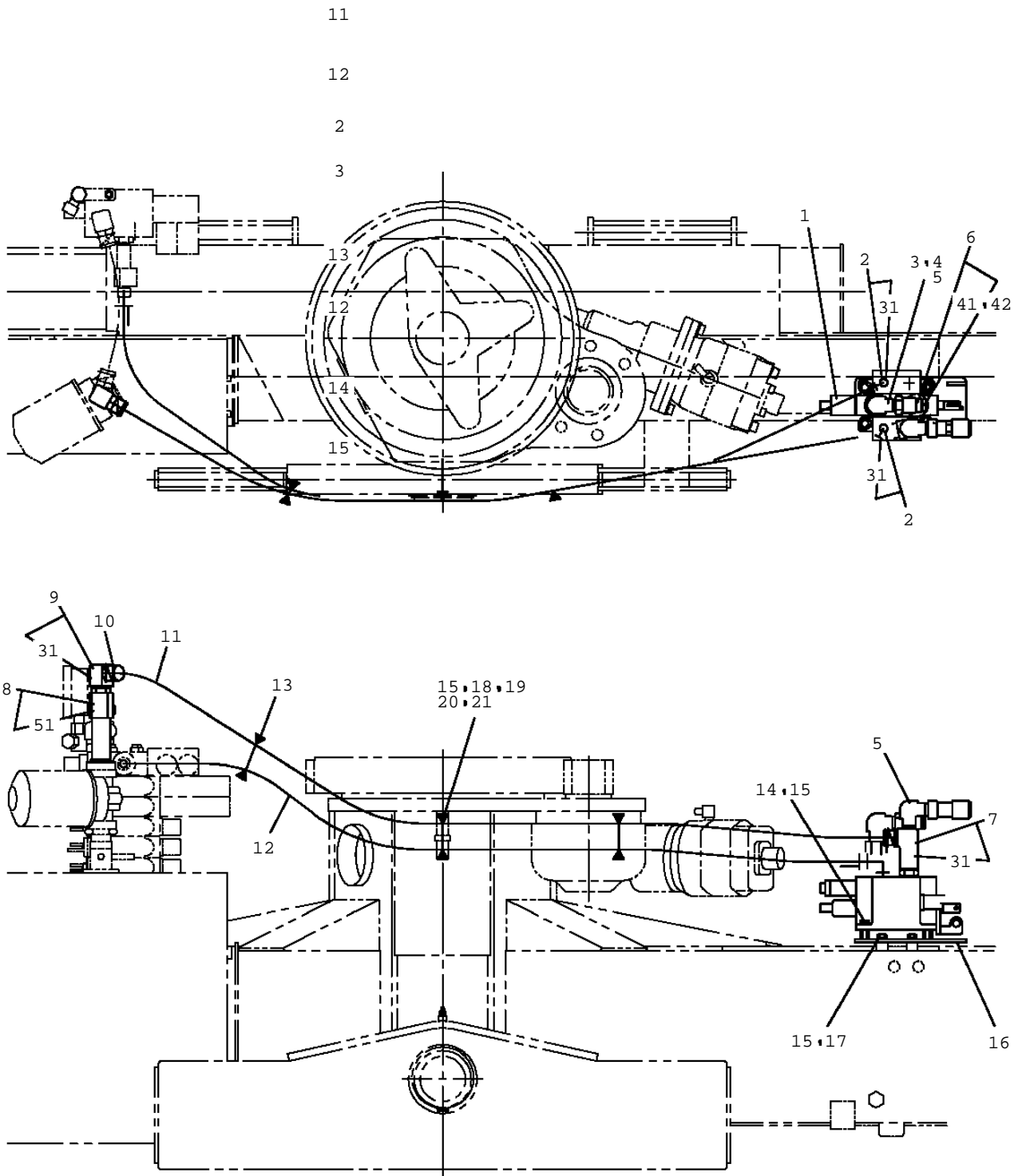
TM-ZF360 41102210360A FRAME/STD,REMOTE-RADIO CONT.,HOOK-IN
PB1410663-02 PIPING,LOWER (REMOTO CONT.,NACHI)



TM-ZF360 41102210360A FRAME/STD,REMOTE-RADIO CONT.,HOOK-IN

Pos No.	Parts No	Parts Name	Qty	Unit	Technical Data	Serial No
1	81408000081	PIPE,STEEL	1	M	8X1.2T	
2	81408000081	PIPE,STEEL	1	M	8X1.2T	
3	36062280000	CYLINDER,ACCELERATOR (NACHI)	1			
	36062600000	CYLINDER,ACCELERATOR(NACHI)	1			EE6163
4	90101208070	BOLT	2		M8X70	
5	90302040801	WASHER,SPRING	7		8	
6	90201780800	NUT	4		M8	
7	36645150000	VALVE,REMOTE CONTROL(NACHI)	1			
	36645150001	VALVE,REMOTE CONTROL (NACHI)	1			EE8128
8	80303210040	FITTING,ELBOW	4			
9	91002801100	O-RING	4		1B P11	
10	81408000160	PIPE,STEEL	1	M	12X1.4T	
11	31394250100	PLATE,NAME	1			
12	90101208018	BOLT	1		M8X18	
13	81408000081	PIPE,STEEL	1	M	8X1.2T	EE6163
14	81408000081	PIPE,STEEL	1	M	8X1.2T	EE6163
15	36648740000	VALVE,REMOTE CONTROL	1			EP1678

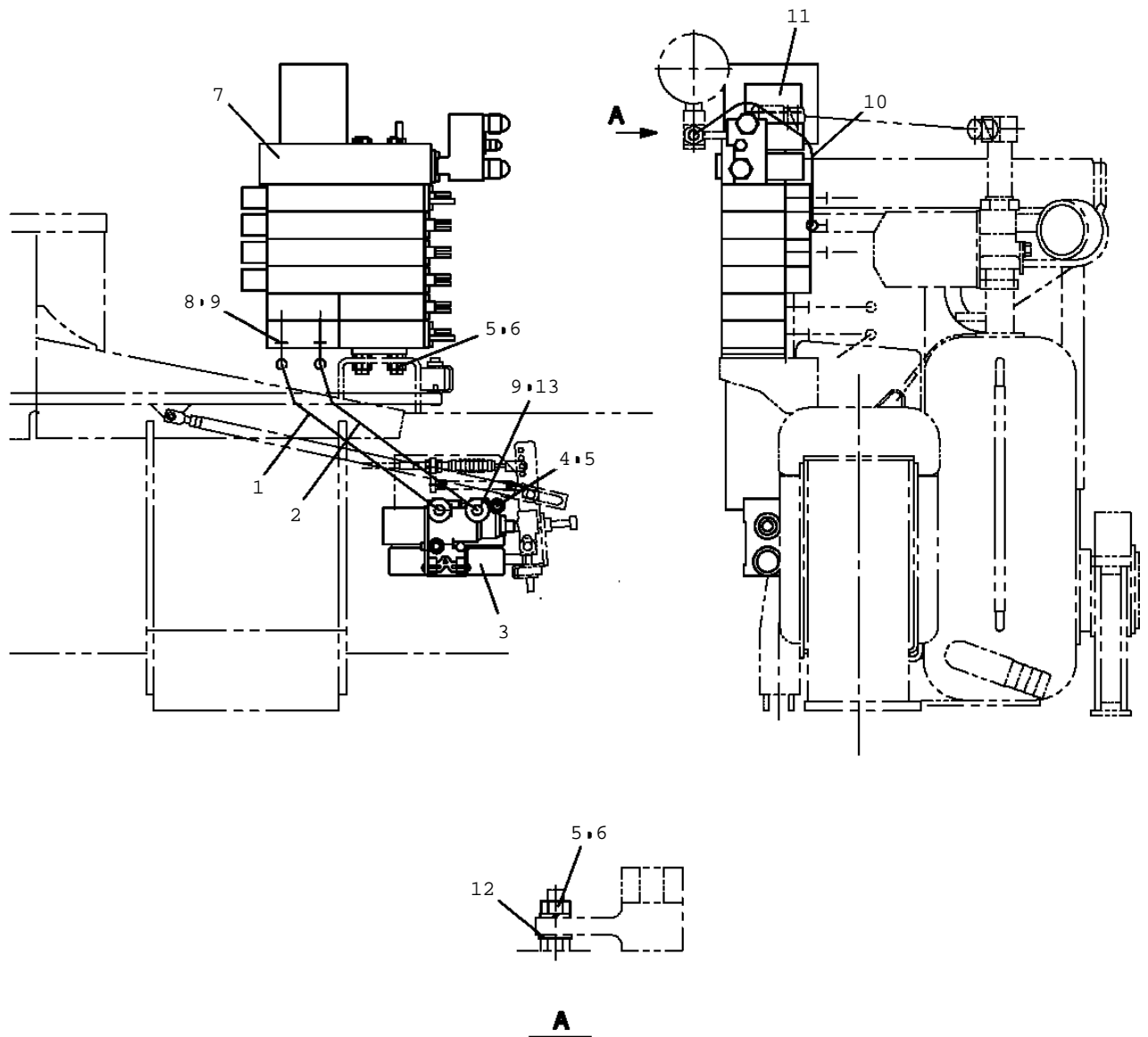
TM-ZF360 41102210360A FRAME/STD,REMOTE-RADIO CONT.,HOOK-IN
PB1410664-01 PIPING,LOWER (POWER SUPPLY)



TM-ZF360 41102210360A FRAME/STD,REMOTE-RADIO CONT.,HOOK-IN

Pos No.	Parts No	Parts Name	Qty	Unit	Technical Data	Ser
1	36635610000	VALVE,MANUAL CONTROL (POWER SUPPLY)	1			
2	80430620800	JOINT	2			
3	91002801800	O-RING	1		1B P18	
4	37000916390	JOINT	1			
5	31641050100	JOINT	2			
6	36671630000	JOINT,SELF SEALING	1			
7	37000923700	JOINT	1			
8	80400160203	JOINT (WITH O-RING)	1			
9	80400160182	JOINT (WITH O-RING)	1			
10	91803600400	CLIP	2		D=27-40	
11	37002511460	HOSE	1		L=1520	
12	37002439750	HOSE <L=1625.	1			
13	91810132530	FASTENER	3			
14	90101208022	BOLT	3		M8X22	
15	90302040801	WASHER,SPRING	8		8	
16	31473632100	SUPPORT	1			
17	90171108014	BOLT	3		M8X14	
18	90101208025	BOLT	1		M8X25	
19	90201200800	NUT	1		M8	
20	37000604210	CLAMP	1		D=36	
21	82100002016	CLAMP	1		WR25	
31	91002801800	O-RING	4		1B P18	
41	36671635010	JOINT,SELF SEALING	1			
42	36671635020	JOINT,SELF SEALING	1			
51	91002802900	O-RING	1		1B P29	

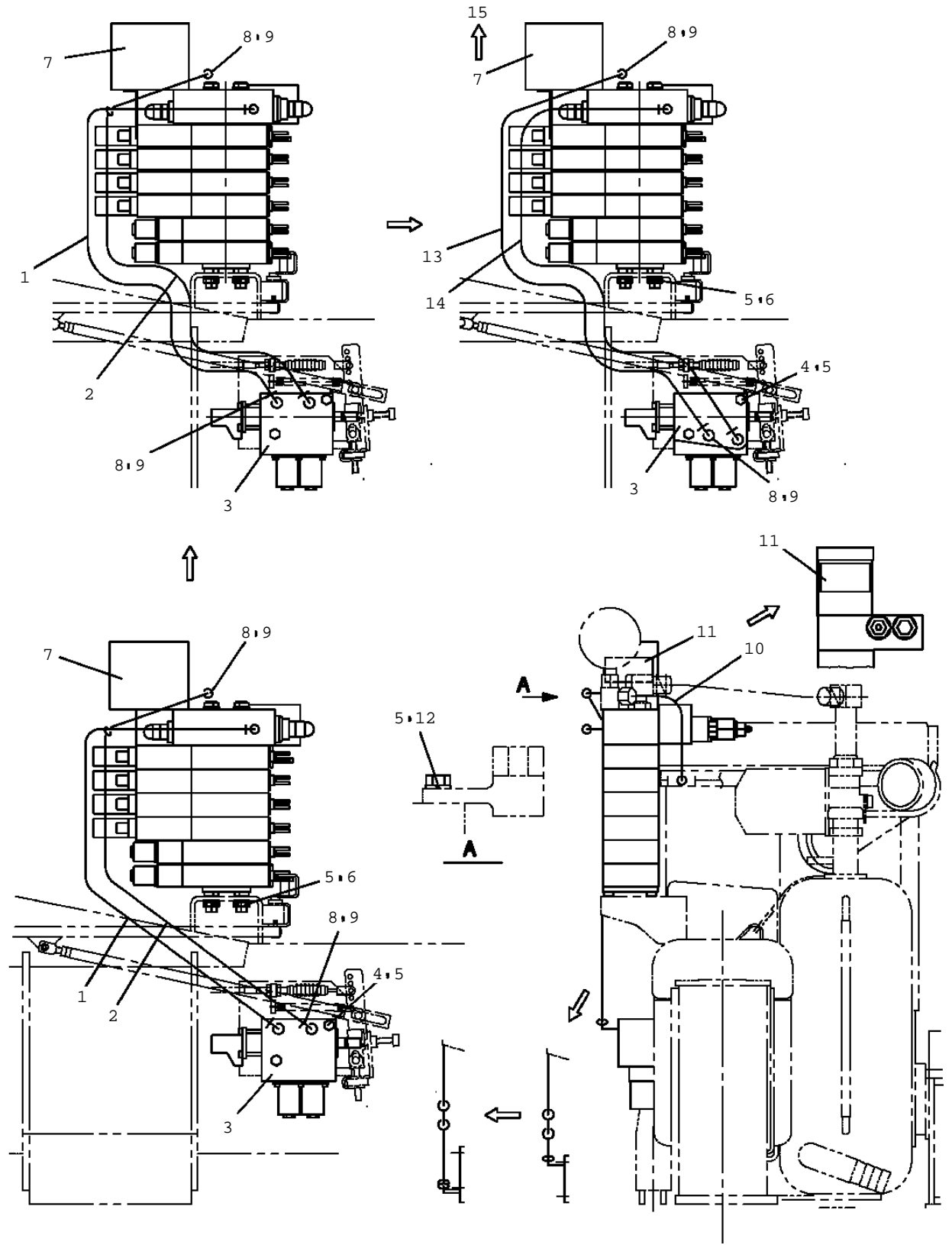
TM-ZF360 41102210360A FRAME/STD,REMOTE-RADIO CONT.,HOOK-IN
PB1410671-00 PIPING,LOWER (REMOTE CONT.,SANWA)



TM-ZF360 41102210360A FRAME/STD,REMOTE-RADIO CONT.,HOOK-IN

Pos No.	Parts No	Parts Name	Qty	Unit	Technical Data	Serial No
1	81408000081	PIPE,STEEL	1	M	8X1.2T	
2	81408000081	PIPE,STEEL	1	M	8X1.2T	
3	36062440000	CYLINDER,ACCELERATOR	1			
4	90101208070	BOLT	2		M8X70	
5	90302040801	WASHER,SPRING	7		8	
6	90201780800	NUT	5		M8	
7	36645400000	VALVE,REMOTE CONTROL (SANWA)	1			
	36645400001	VALVE,REMOTE CONTROL (SANWA)	1			EE7950
8	80302120040	FITTING	2		POA08PF1/4	
9	91002801100	O-RING	4		1B P11	
10	81408000160	PIPE,STEEL	1	M	12X1.4T	
11	31474004100	PLATE,NAME	1			
12	90303070801	WASHER,PLAIN	1		8	
13	80303210040	FITTING,ELBOW	2			

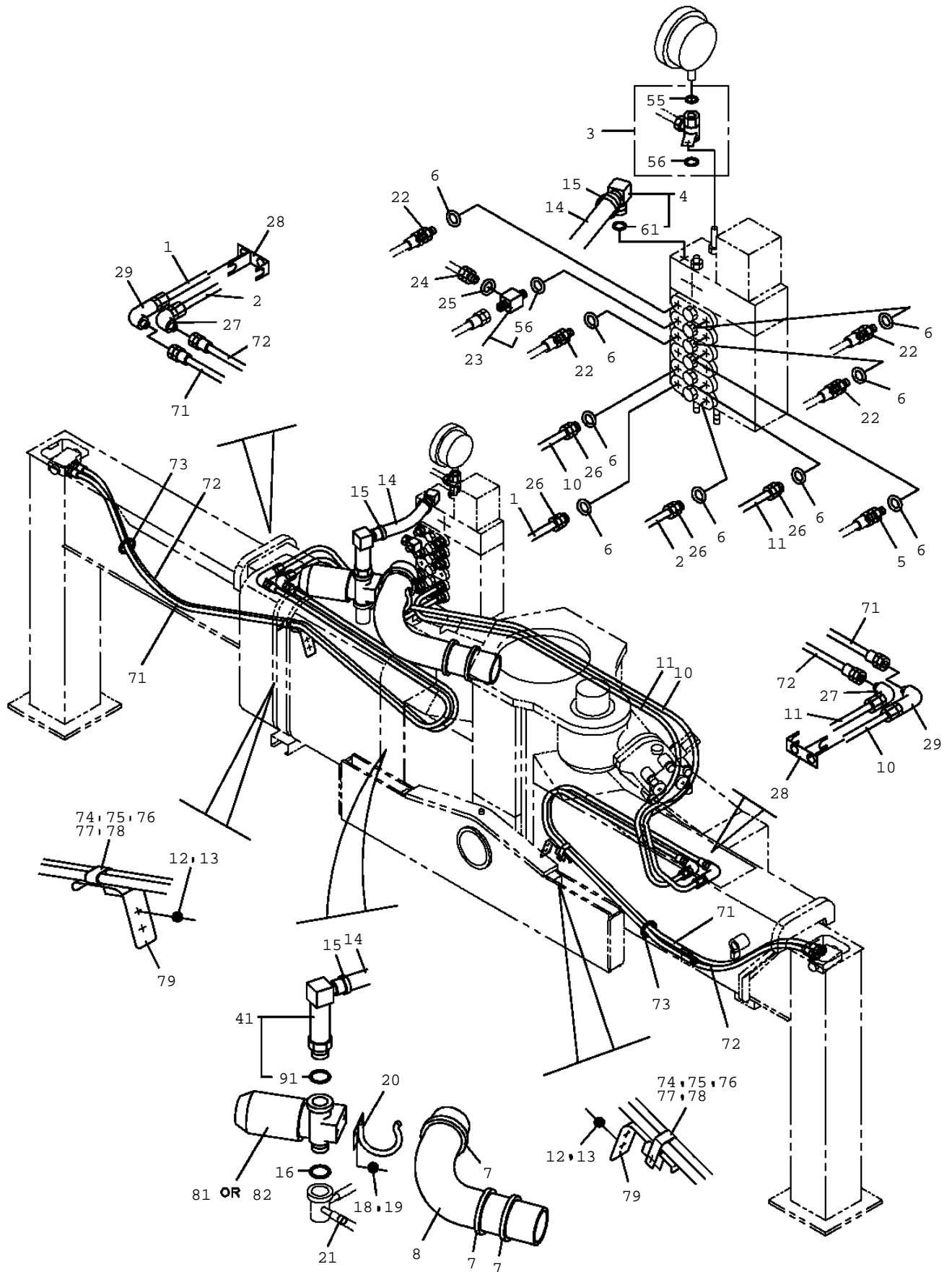
TM-ZF360 41102210360A FRAME/STD,REMOTE-RADIO CONT.,HOOK-IN
PB1410672-02 PIPING,LOWER (REMOTE CONT.,NACHI)



TM-ZF360 41102210360A FRAME/STD,REMOTE-RADIO CONT.,HOOK-IN

Pos No.	Parts No	Parts Name	Qty	Unit	Technical Data	Se
1	81408000081	PIPE,STEEL	1	M	8X1.2T	
2	81408000081	PIPE,STEEL	1	M	8X1.2T	
3	36062280000	CYLINDER,ACCELERATOR (NACHI)	1			
	36062600000	CYLINDER,ACCELERATOR(NACHI)	1			EE
4	90101208070	BOLT	2		M8X70	
5	90302040801	WASHER,SPRING	7		8	
6	90201780800	NUT	4		M8	
7	36644790000	VALVE,REMOTE CONTROL (HOOK-IN,NACHI)	1			
	36644790001	VALVE,REMOTE CONTROL (HOOK-IN,NACHI)	1			EE
8	80303210040	FITTING,ELBOW	4			
9	91002801100	O-RING	4		1B P11	
10	81408000160	PIPE,STEEL	1	M	12X1.4T	
11	31394250100	PLATE,NAME	1			
12	90101208018	BOLT	1		M8X18	
13	81408000081	PIPE,STEEL	1	M	8X1.2T	EE
14	81408000081	PIPE,STEEL	1	M	8X1.2T	EE
15	36648730000	VALVE,REMOTE CONTROL	1			EP

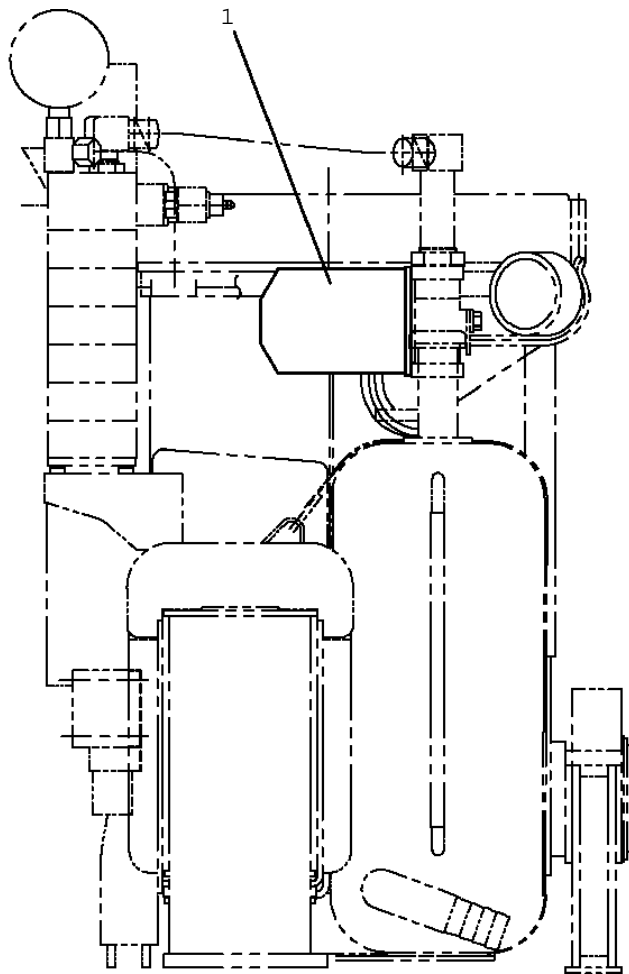
TM-ZF360 41102210360A FRAME/STD,REMOTE-RADIO CONT.,HOOK-IN
 PB1410847-00 PIPING,LOWER (CRANE)



TM-ZF360 41102210360A FRAME/STD,REMOTE-RADIO CONT.,HOOK-IN

Pos No.	Parts No	Parts Name	Qty	Unit	Technical Data	Serial No (St
1	81408000100	PIPE,STEEL	1	M	10X1.2T	
2	81408000100	PIPE,STEEL	1	M	10X1.2T	
3	31640650300	JOINT,SWIVEL	1			
4	80400160182	JOINT (WITH O-RING)	1			
5	80481003027	JOINT	1			
6	91002801400	O-RING	9		1B P14	
7	91810130270	FASTENER	3			
8	31642951100	COVER	1			
10	81408000100	PIPE,STEEL	2	M	10X1.2T	
11	81408000100	PIPE,STEEL	2	M	10X1.2T	
12	90101208014	BOLT	4		M8X14	
13	90302040801	WASHER,SPRING	4		8	
14	37002502440	HOSE	1		L=300	
15	91803600400	CLIP	2		D=27-40	
16	91002802900	O-RING	1		1B P29	
18	90191210016	BOLT	2		M10X16	
19	90302041001	WASHER,SPRING	2		10	
20	31642951600	SUPPORT	1			
21	91803600200	CLIP	1		D=13-20	
22	80481003037	JOINT	4			
23	80400160180	JOINT (WITH O-RING)	1			
24	80302120100	FITTING	1		POA12 PF1/4	
25	91002801100	O-RING	1		1B P11	
26	80302120080	FITTING	4		POA10PF3/8	
27	37000924770	JOINT	2			
28	31642591300	SUPPORT	2			
29	37000922410	JOINT	2			
41	80400160202	JOINT (FOR RETURN FILTER)	1			
55	91002801000	O-RING	1		1B P10	
56	91002801400	O-RING	3		1B P14	
61	91002801800	O-RING	1		1B P18	
71	37002450060	HOSE	2		L=2760	
72	37002454990	HOSE	2		L=2720	
73	91810130240	FASTENER	6			
	91810130240	FASTENER	10			EE6497
74	31642591240	CLAMP	2		12X2	
75	90101208018	BOLT	2		M8X18	
76	90303070801	WASHER,PLAIN	2		8	
77	90302040801	WASHER,SPRING	2		8	
78	90201200800	NUT	2		M8	
79	31642851530	SUPPORT	2			
81	36672280000	FILTER,OIL (YAMASHIN)	1			
82	36672390000	FILTER,OIL (WAKO)	1			
91	91002802900	O-RING	1		1B P29	

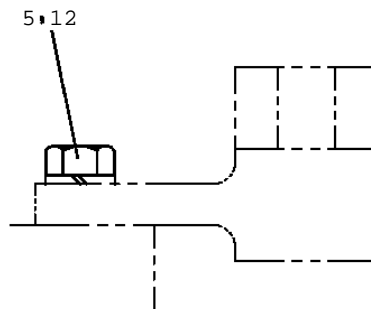
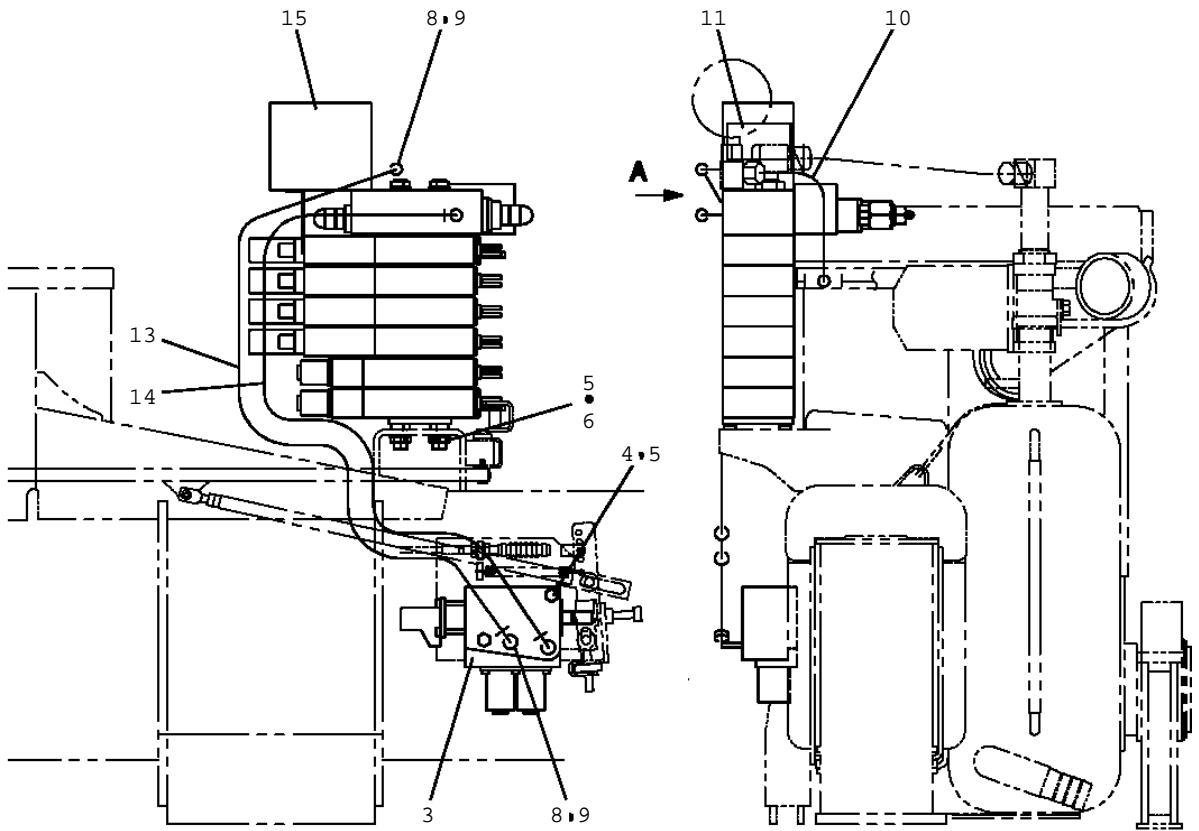
TM-ZF360 41102210360A FRAME/STD,REMOTE-RADIO CONT.,HOOK-IN
PB1410912-01 PIPING,LOWER (REPLACE FILTER)



TM-ZF360 41102210360A FRAME/STD,REMOTE-RADIO CONT.,HOOK-IN

Pos No.	Parts No	Parts Name	Qty	Unit	Technical Data	Serial No (Start)	Ser
1	36672580000	FILTER,CARTRIDGE	1				

TM-ZF360 41102210360A FRAME/STD,REMOTE-RADIO CONT.,HOOK-IN
PB1411225-00 PIPING,LOWER (NACHI)

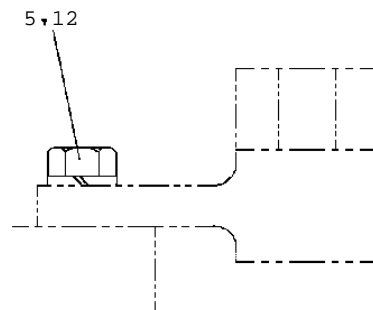
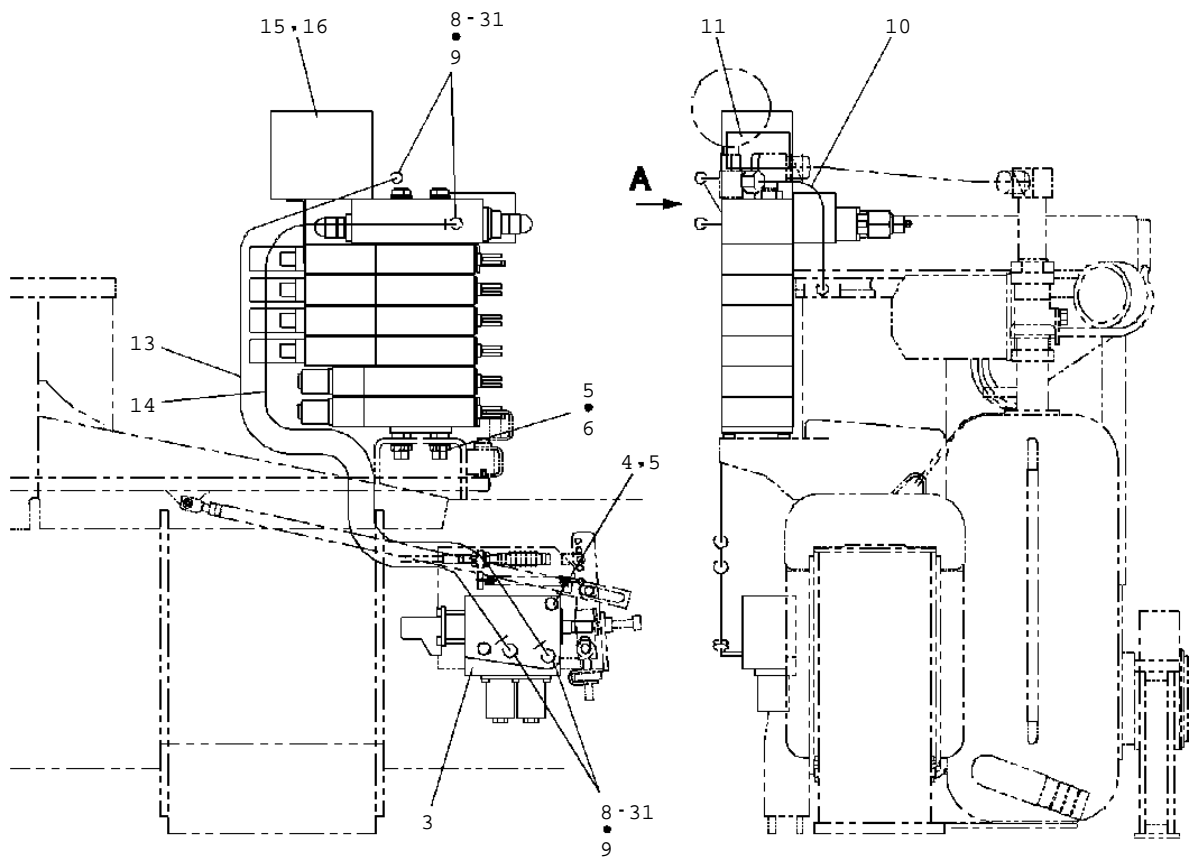


A

TM-ZF360 41102210360A FRAME/STD,REMOTE-RADIO CONT.,HOOK-IN

Pos No.	Parts No	Parts Name	Qty	Unit	Technical Data	Serial No (
3	36062600000	CYLINDER,ACCELERATOR(NACHI)	1			
4	90101208070	BOLT	2		M8X70	
5	90302040801	WASHER,SPRING	7		8	
6	90201780800	NUT	4		M8	
8	80303210040	FITTING,ELBOW	4			
9	91002801100	O-RING	4		1B P11	
10	81408000160	PIPE,STEEL	1	M	12X1.4T	
11	31394250100	PLATE,NAME	1			
12	90101208018	BOLT	1		M8X18	
13	81408000081	PIPE,STEEL	1	M	8X1.2T	
14	81408000081	PIPE,STEEL	1	M	8X1.2T	
15	36649930000	VALVE,REMOTE CONTROL	1			

TM-ZF360 41102210360A FRAME/STD,REMOTE-RADIO CONT.,HOOK-IN
PB1411316-00 PIPING,LOWER (NACHI)



A

TM-ZF360 41102210360A FRAME/STD,REMOTE-RADIO CONT.,HOOK-IN

Pos No.	Parts No	Parts Name	Qty	Unit	Technical Data	Serial No
3	36062600000	CYLINDER,ACCELERATOR(NACHI)	1			
4	90101208070	BOLT	2		M8X70	
5	90302040801	WASHER,SPRING	7		8	
6	90201780800	NUT	4		M8	
8	80303130081	FITTING,ELBOW	4		KLO08-020E	
9	91002801100	O-RING	4		1B P11	
10	81408000160	PIPE,STEEL	1	M	12X1.4T	
11	31394250100	PLATE,NAME	1			
12	90101208018	BOLT	1		M8X18	
13	81408000081	PIPE,STEEL	1	M	8X1.2T	
14	81408000081	PIPE,STEEL	1	M	8X1.2T	
15	36647980000	VALVE,REMOTE CONTROL (NACHI)	1			
16	80316070040	PLUG	1		PF1/4	
31	91002801100	O-RING	4		1B P11	

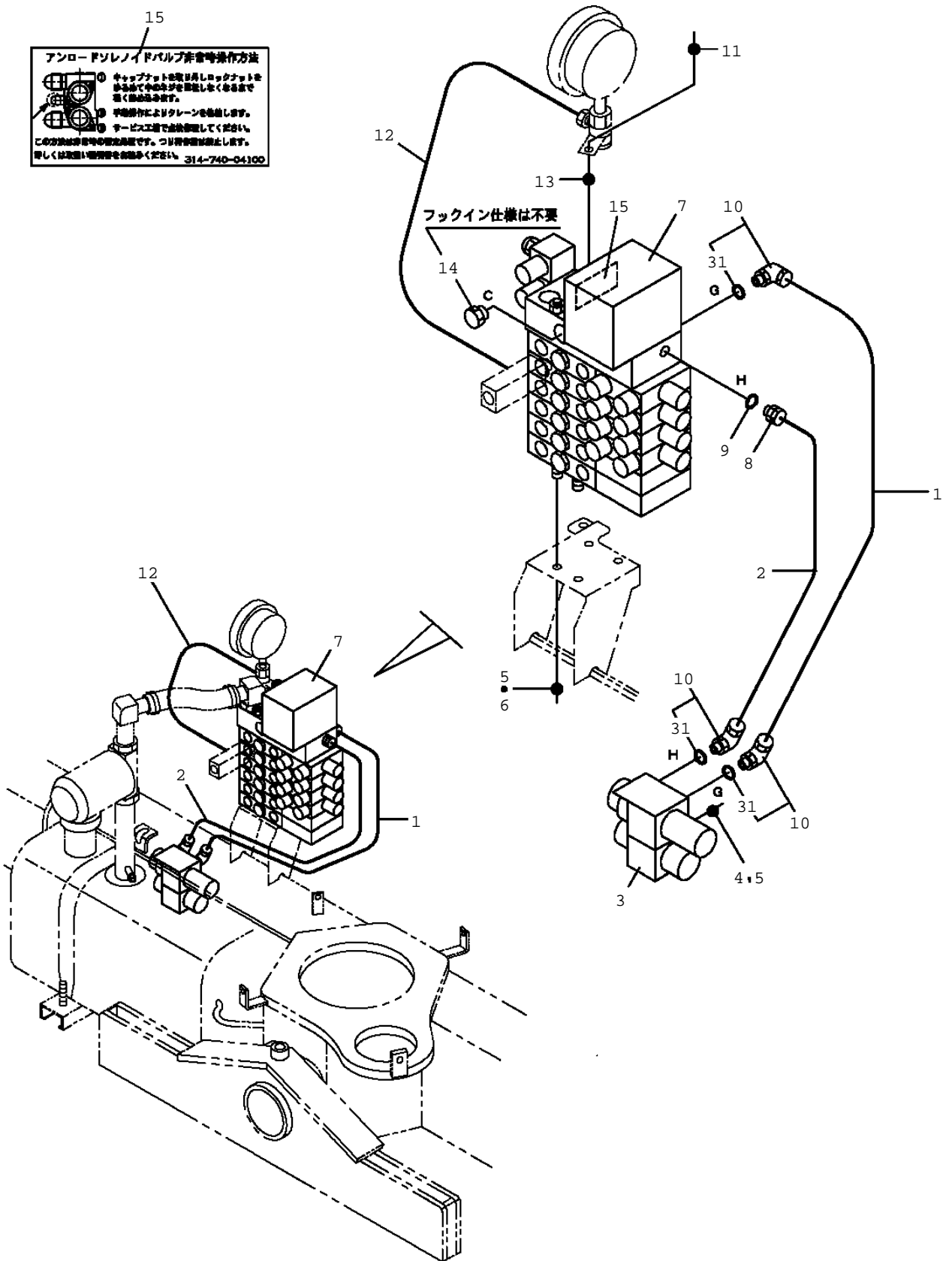
TM-ZF360 41102210360A FRAME/STD,REMOTE-RADIO CONT.,HOOK-IN
PB1411897-00 PIPING,LOWER (SANWA)

15

アンローソレノイドバルブ非常時操作方法

- ① キャップネットを取り出しロックネットをゆるめて中のネジを回してネジをゆるく締め込みます。
- ② 手で操作によりクレーンを巻上げします。
- ③ 予備式で巻上げ機を巻上げしてください。

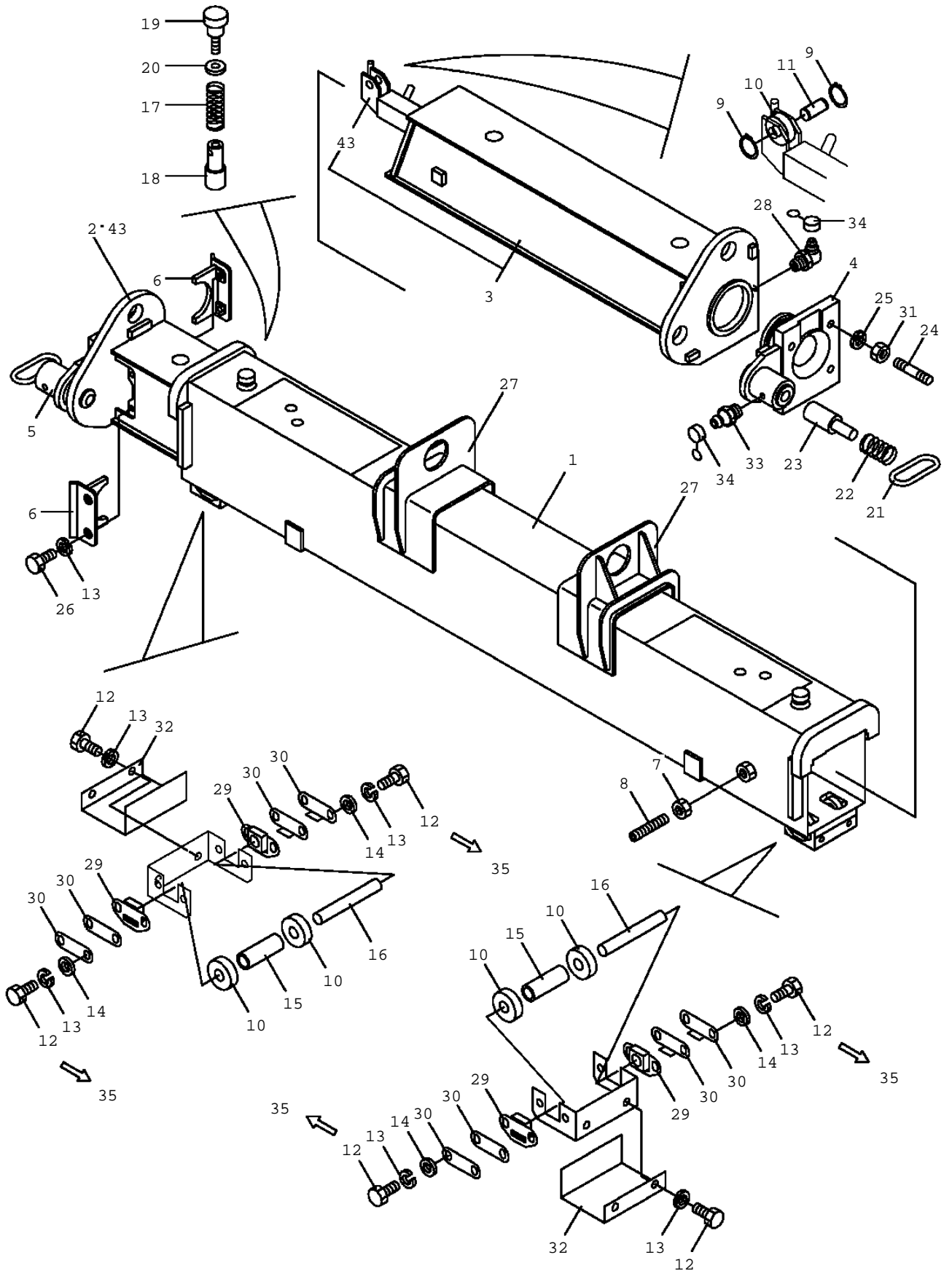
この方法は非常時の緊急用です。つまり非常時は禁止します。
詳しくは取扱い説明書を参照してください。 314-740-04100



TM-ZF360 41102210360A FRAME/STD,REMOTE-RADIO CONT.,HOOK-IN

Pos No.	Parts No	Parts Name	Qty	Unit	Technical Data	Serial No (Start)
1	81408000081	PIPE,STEEL	1	M	8X1.2T	
2	81408000081	PIPE,STEEL	1	M	8X1.2T	
3	36062740000	CYLINDER,ACCELERATOR	1			
4	90101208070	BOLT	2		M8X70	
5	90302040801	WASHER,SPRING	6		8	
6	90201780800	NUT	4		M8	
7	36740460001	VALVE,REMOTE CONTROL	1			
8	80302090081	FITTING	1		KCO80-020N	
9	91002801100	O-RING	1		1B P11	
10	80303130081	FITTING,ELBOW	3		KLO08-020E	
11	90280200800	NUT,FLANGE	1		M8	
12	81408000160	PIPE,STEEL	1	M	12X1.4T	
13	90303070801	WASHER,PLAIN	1		8	
14	80316070040	PLUG	1		PF1/4	
15	31474004100	PLATE,NAME	1			
31	91002801100	O-RING	3		1B P11	

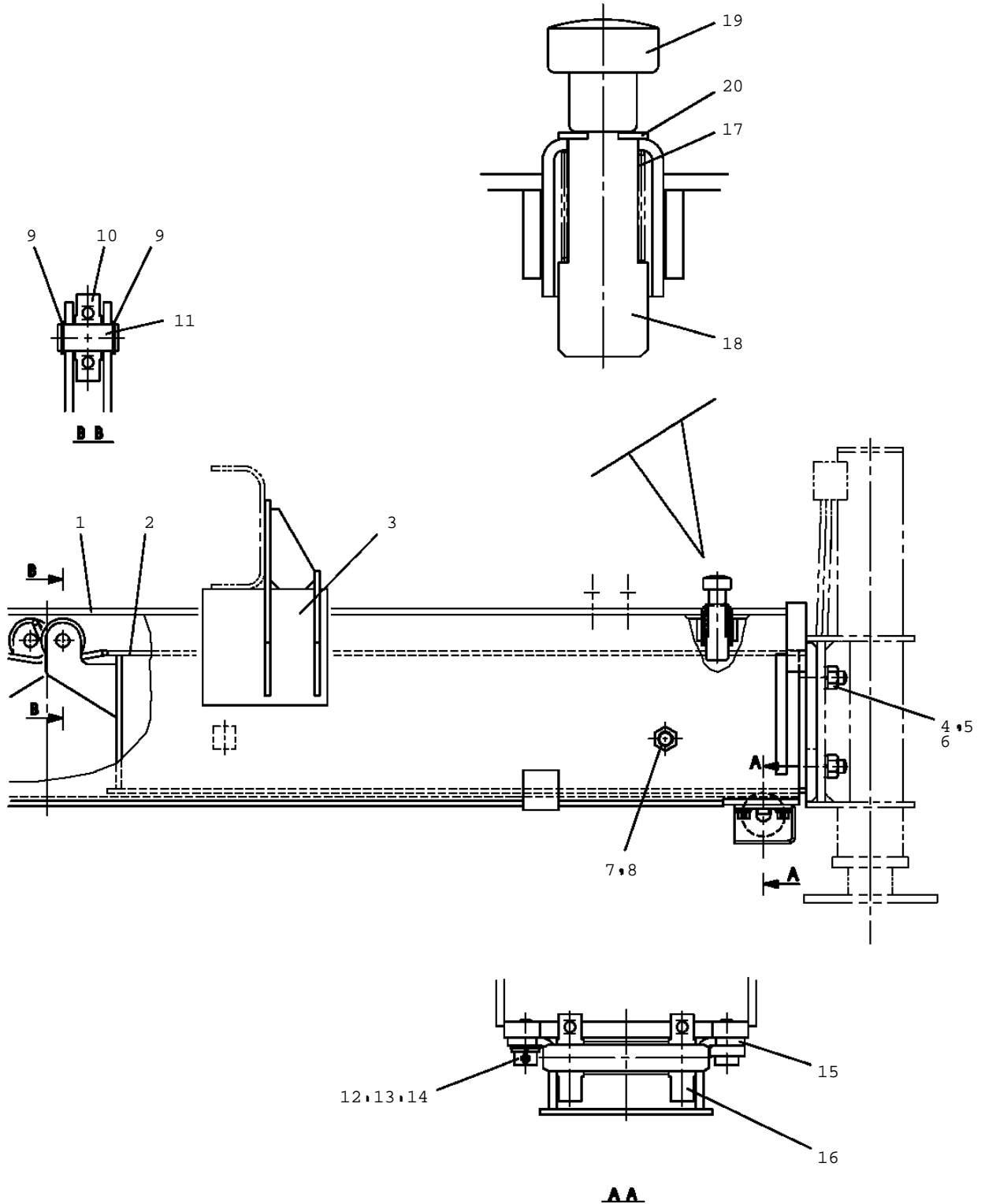
TM-ZF360 41102210360A FRAME/STD,REMOTE-RADIO CONT.,HOOK-IN
PC1010196-03 OUTRIGGER (REAR)



TM-ZF360 41102210360A FRAME/STD,REMOTE-RADIO CONT.,HOOK-IN

Pos No.	Parts No	Parts Name	Qty	Unit	Technical Data	Serial No (Start)
1	31622001000	CASE, OUTER	1			
2	31622002000	CASE, INNER (LEFT)	1			
3	31622003000	CASE, INNER (RIGHT)	1			
4	31622004000	SUPPORT (LEFT)	1			
5	31622005000	SUPPORT (RIGHT)	1			
6	31622000100	SUPPORT	4			
7	90201201600	NUT	2		M16	
8	90720716400	SCREW, SET	2		M16X40	
9	80601110150	RING, RITAINING	4		15	
10	80530000225	BEARING, BALL (KOYO)	6			
	31620582020	BEARING, BALL (KOYO)	6			KB7532
11	37000134180	PIN	2			
12	90101208012	BOLT	4		M8X12	
13	90302040801	WASHER, SPRING	20		8	
14	90303070801	WASHER, PLAIN	8		8	
15	37000309980	SPACER	2		L=60	
16	37000161010	PIN	2			
17	37001201380	SPRING	2			
18	31621411700	PIN	2			
19	82442002305	KNOB	2			
20	37000553000	PLATE	2			
21	37003100030	GRIP	2			
22	37001200720	SPRING	2			
23	31621340200	PIN	2			
24	90142714025	BOLT, STUD	8			
25	90302041401	WASHER, SPRING	8		14	
26	90171108016	BOLT	8		M8X16	
27	31621510100	SUPPORT	2			
28	82458202000	NIPPLE, GREASE	2		B-TYPE PT1/8	
29	31621962100	SUPPORT	4			
30	31621962200	PLATE	8		T=0.5	
31	90201481400	NUT	8		M14	
32	31622000200	COVER	2			
33	82456201000	NIPPLE, GREASE	2		A-TYPE PT1/8	
34	82400000459	CAP	4			
35	90101208014	BOLT	8		M8X14	
43	31623679510	SUPPORT ASSY	2			

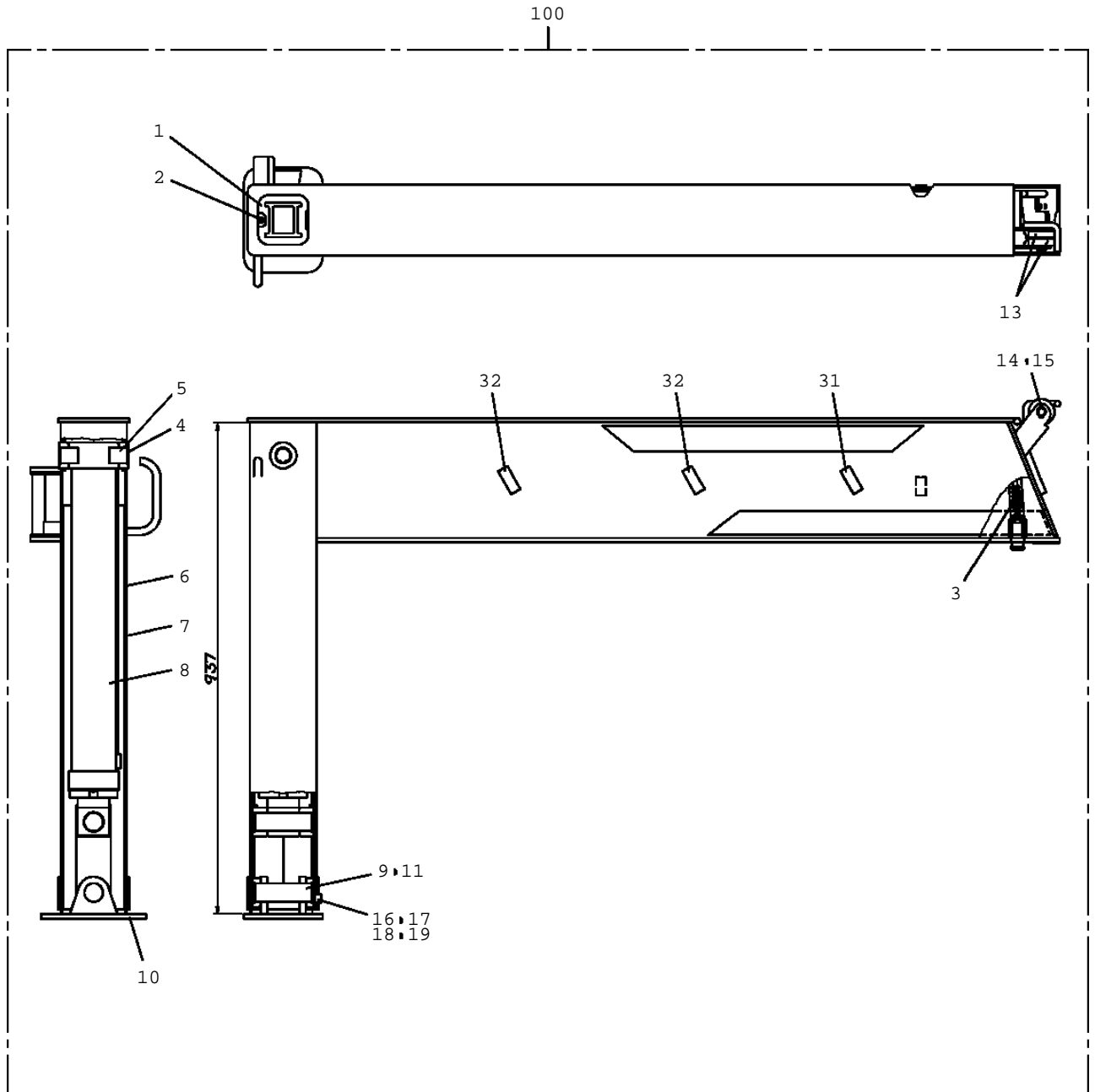
TM-ZF360 41102210360A FRAME/STD,REMOTE-RADIO CONT.,HOOK-IN
PC1010329-00 OUTRIGGER (REAR)



TM-ZF360 41102210360A FRAME/STD,REMOTE-RADIO CONT.,HOOK-IN

Pos No.	Parts No	Parts Name	Qty	Unit	Technical Data	Serial No (Start)
1	31621511000	CASE, OUTER	1			
2	31621512000	CASE, INNER	2			
3	31621510100	SUPPORT	2			
4	90142714025	BOLT, STUD	8			
5	90302041401	WASHER, SPRING	8		14	
6	90201481400	NUT	8		M14	
7	90201201600	NUT	2		M16	
8	90720716400	SCREW, SET	2		M16X40	
9	80601110150	RING, RITAINING	8		15	
10	80530000225	BEARING, BALL (KOYO)	2			
	31620582020	BEARING, BALL (KOYO)	2			KB7532
11	37000134180	PIN	2			
12	90172108018	BOLT, HEXAGON SOCKET	8		M8X18	
13	90302040801	WASHER, SPRING	8		8	
14	90303070801	WASHER, PLAIN	8		8	
15	31621412700	SHIM	4			
16	31621631000	ROLLER ASSY	2			
17	37001201380	SPRING	2			
18	31621411700	PIN	2			
19	82442002305	KNOB	2			
20	37000553000	PLATE	2			

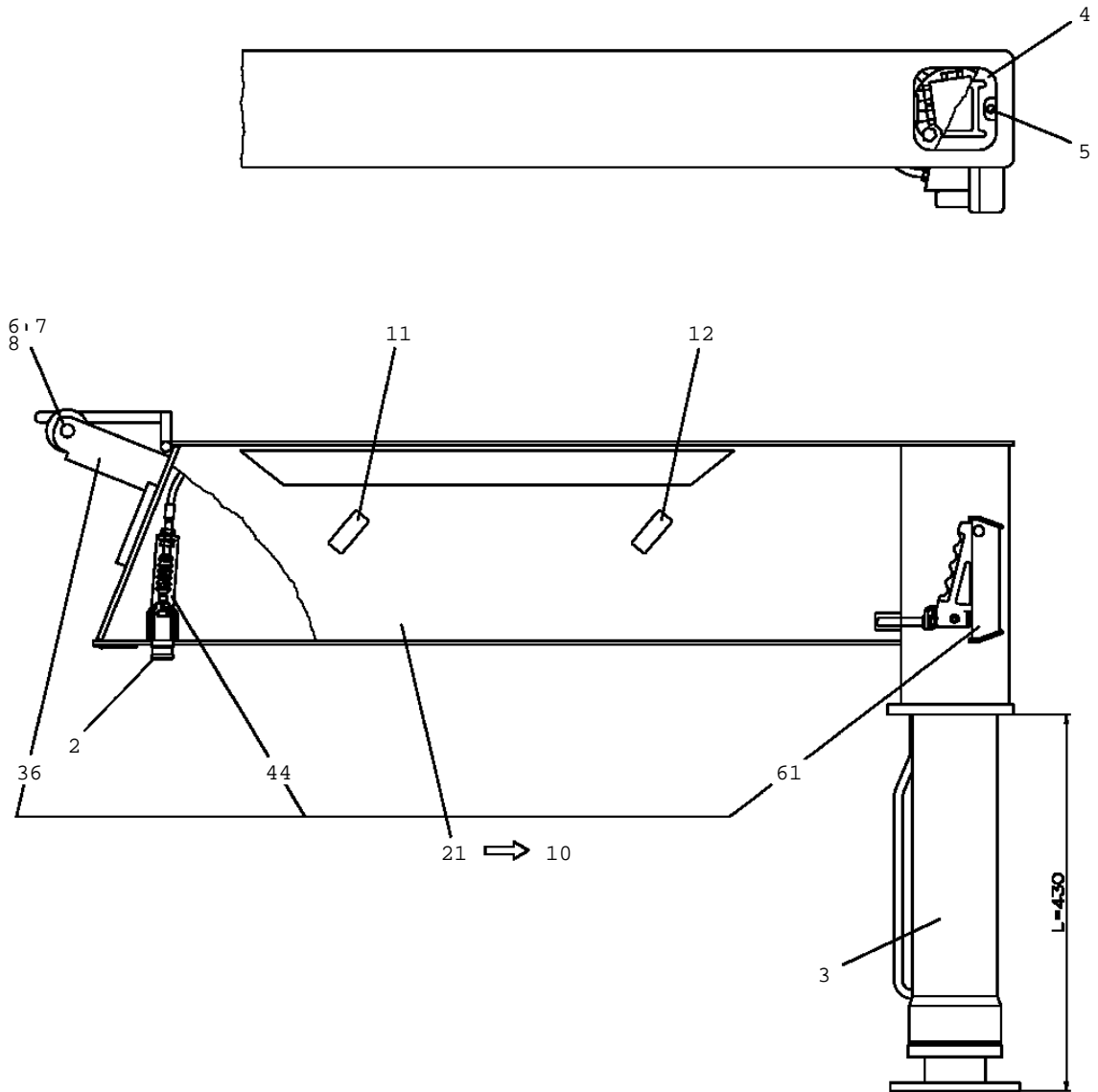
TM-ZF360 41102210360A FRAME/STD,REMOTE-RADIO CONT.,HOOK-IN
PC1010512-01 OUTRIGGER



TM-ZF360 41102210360A FRAME/STD,REMOTE-RADIO CONT.,HOOK-IN

Pos No.	Parts No	Parts Name	Qty	Unit	Technical Data	Serial No (Start)
1	31621963000	COVER	1			
2	80189305008	SCREW,MACHINE	1		M5X8	
3	(*****)	OPE.ASSY,OUTRIGGER	1			
4	80602110300	RING,RITAINING	2		R30	
5	37000146990	PIN	2			
6	31612320200	CASE,OUTER (H=937)	1			
7	31611980500	CASE,INNER	1			
8	(*****)	CYLINDER,JACK	1			
9	80602110350	RING,RITAINING	4		R35	
10	31612320600	FLOAT	1			
11	37000150760	PIN	2			
13	80530000225	BEARING,BALL (KOYO)	2			
14	37000150360	PIN	1			
15	80601110150	RING,RITAINING	2		15	
16	31201770100	PLATE,SLIDE	2		T=3.0	
17	31611645000	SHIM	2			
18	31611645100	SHIM	2		T=0.6	
19	31611645200	SHIM	3		T=1.2	
31	31611300500	PLATE,NAME (WHITE)	2			
32	31611300600	PLATE,NAME (YELLOW)	4			
100	31612320100	OUTRIGGER	1			

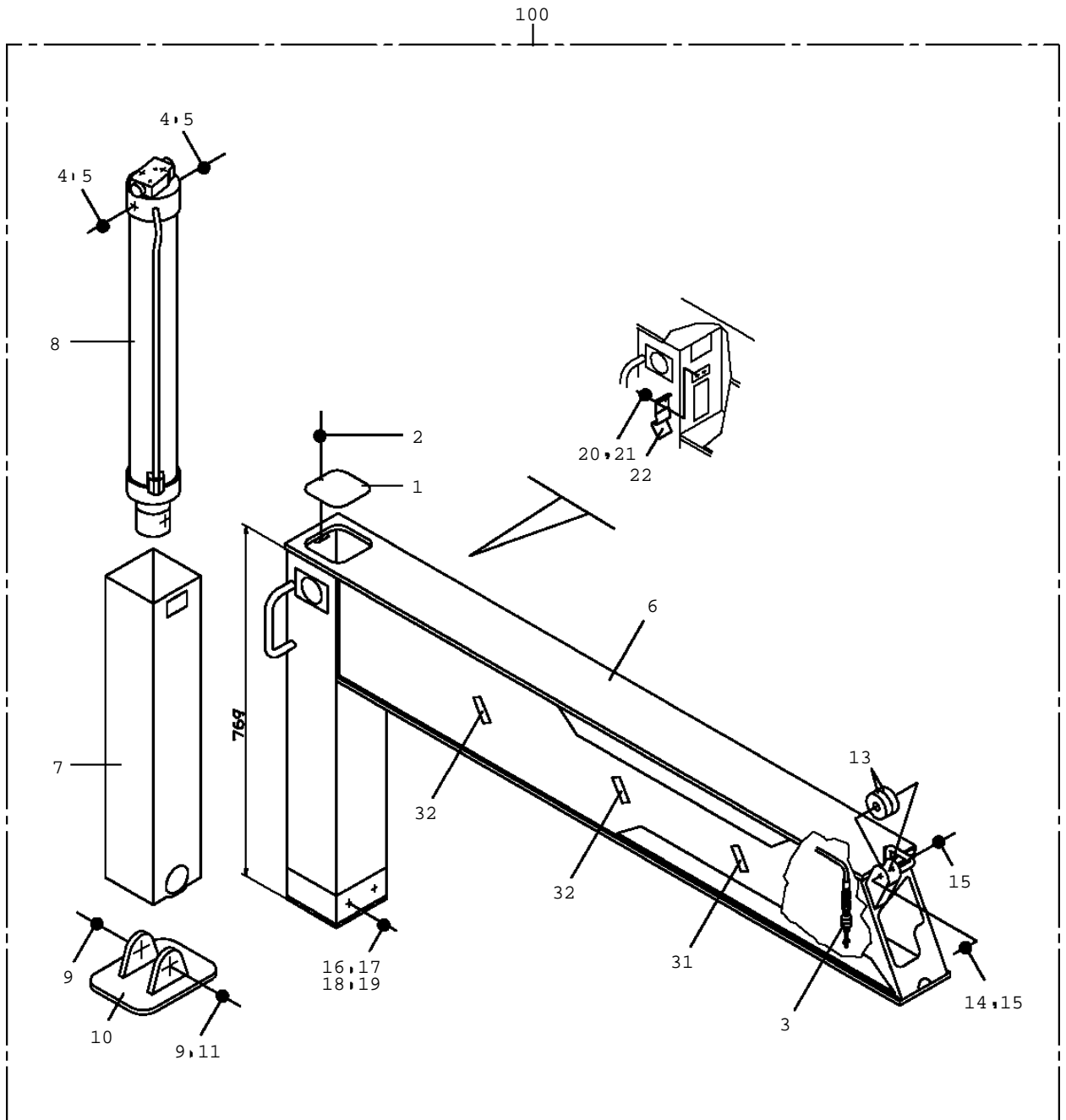
TM-ZF360 41102210360A FRAME/STD,REMOTE-RADIO CONT.,HOOK-IN
PC1010525-05 OUTRIGGER (4T & 5.5T BASE 7T,WITH FLOAT)



TM-ZF360 41102210360A FRAME/STD,REMOTE-RADIO CONT.,HOOK-IN

Pos No.	Parts No	Parts Name	Qty	Unit	Technical Data	Ser
2	(*****)	OPE. ASSY,OUTRIGGER	1			
3	(*****)	CYLINDER,JACK (MIN674.WITH FLOAT)	1			
4	31621963000	COVER	1			
5	80189305008	SCREW,MACHINE	1		M5x8	
6	80530000225	BEARING,BALL (KOYO)	2			
	31620582020	BEARING,BALL (KOYO)	2			
7	80601110150	RING,RITAINING	2		15	
8	37000150360	PIN	1			
11	31611300500	PLATE,NAME (WHITE)	2			
12	31611300600	PLATE,NAME (YELLOW)	2			
21	31621961801	CASE, INNER	1			
36	31621969530	SUPPORT	1			
44	31621963101	SUPPORT	1			
61	31621963200	SUPPORT	1			

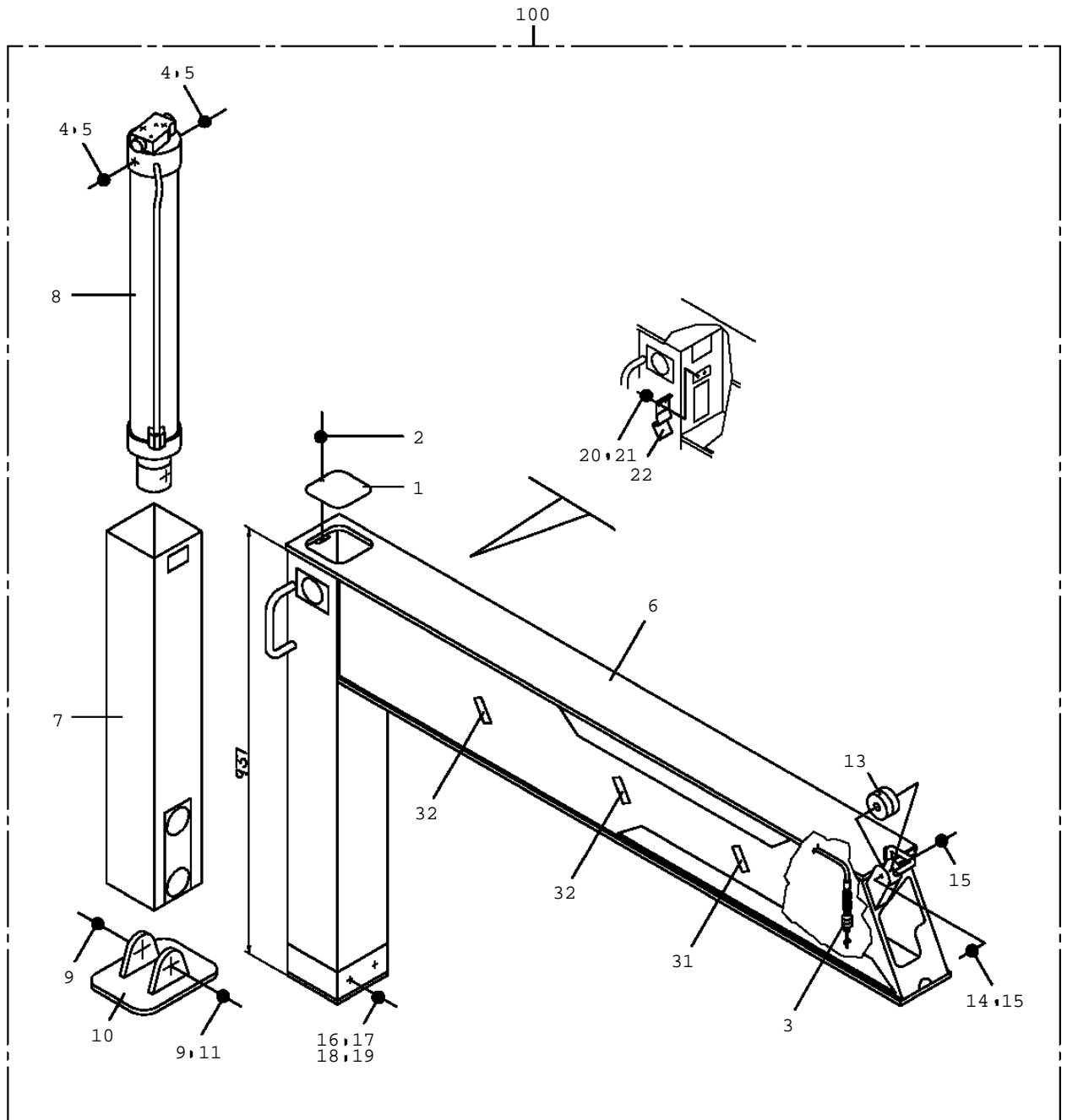
TM-ZF360 41102210360A FRAME/STD,REMOTE-RADIO CONT.,HOOK-IN
PC1010597-02 OUTRIGGER



TM-ZF360 41102210360A FRAME/STD,REMOTE-RADIO CONT.,HOOK-IN

Pos No.	Parts No	Parts Name	Qty	Unit	Technical Data	Serial No (Start)
1	31621963000	COVER	1			
2	80189305008	SCREW,MACHINE	1		M5X8	
3	(*****)	OPE.ASSY,OUTRIGGER	1			
4	80602110300	RING,RITAINING	2		R30	
5	37000146990	PIN	2			
6	31612290201	CASE,OUTER (H=769)	1			
7	31612290501	CASE,INNER	1			
8	(*****)	CYLINDER,JACK	1			
9	80602110350	RING,RITAINING	2		R35	
10	31611070500	FLOAT	1			
11	37000150760	PIN	1			
13	80530000225	BEARING,BALL (KOYO)	2			
	31620582020	BEARING,BALL (KOYO)	2			KB7532
14	37000150360	PIN	1			
15	80601110150	RING,RITAINING	2		15	
16	31201770100	PLATE,SLIDE	2		T=3.0	
17	31611645000	SHIM	2			
18	31611645100	SHIM	2		T=0.6	
19	31611645200	SHIM	3		T=1.2	
20	90180208012	BOLT,BUTTON	2		M8X12	
	90180208016	BOLT,BUTTON	2		M8X16	EE7997
21	90302040801	WASHER,SPRING	2		8	
22	31611640150	SPRING	1			
31	31611300500	PLATE,NAME (WHITE)	2			
32	31611300600	PLATE,NAME (YELLOW)	4			
100	31612290101	OUTRIGGER	1			

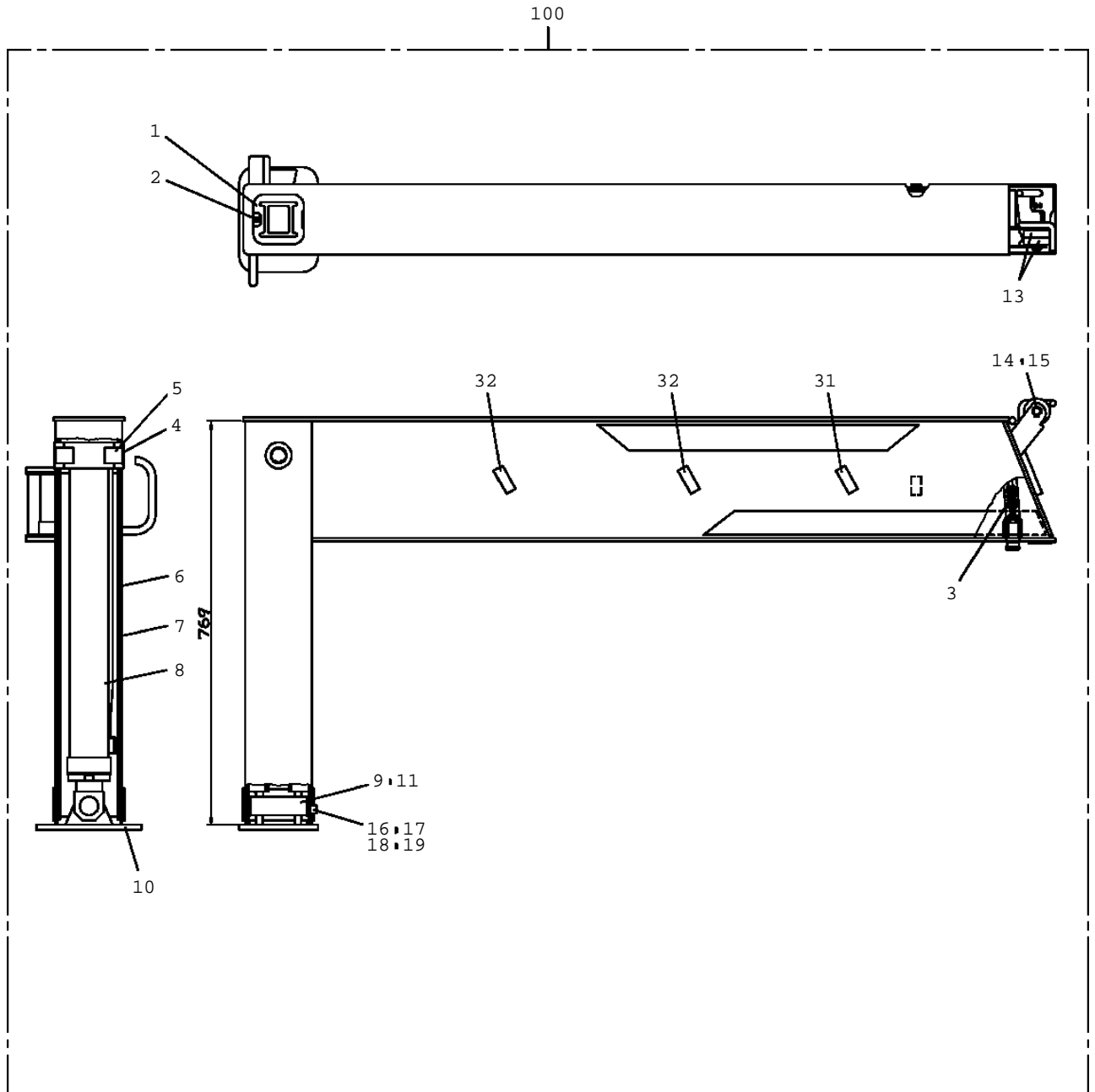
TM-ZF360 41102210360A FRAME/STD,REMOTE-RADIO CONT.,HOOK-IN
PC1010598-02 OUTRIGGER



TM-ZF360 41102210360A FRAME/STD,REMOTE-RADIO CONT.,HOOK-IN

Pos No.	Parts No	Parts Name	Qty	Unit	Technical Data	Serial No (Start)
1	31621963000	COVER	1			
2	80189305008	SCREW,MACHINE	1		M5X8	
3	(*****)	OPE.ASSY,OUTRIGGER	1			
4	80602110300	RING,RITAINING	2		R30	
5	37000146990	PIN	2			
6	31612320201	CASE,OUTER (H=937)	1			
7	31611980501	CASE,INNER	1			
8	(*****)	CYLINDER,JACK	1			
9	80602110350	RING,RITAINING	4		R35	
10	31612320600	FLOAT	1			
11	37000150760	PIN	2			
13	80530000225	BEARING,BALL (KOYO)	2			
	31620582020	BEARING,BALL (KOYO)	2			KB7532
14	37000150360	PIN	1			
15	80601110150	RING,RITAINING	2		15	
16	31201770100	PLATE,SLIDE	2		T=3.0	
17	31611645000	SHIM	2			
18	31611645100	SHIM	2		T=0.6	
19	31611645200	SHIM	3		T=1.2	
20	90180208016	BOLT,BUTTON	2		M8X16	
21	90302040801	WASHER,SPRING	2		8	
22	31611640150	SPRING	1			
31	31611300500	PLATE,NAME (WHITE)	2			
32	31611300600	PLATE,NAME (YELLOW)	4			

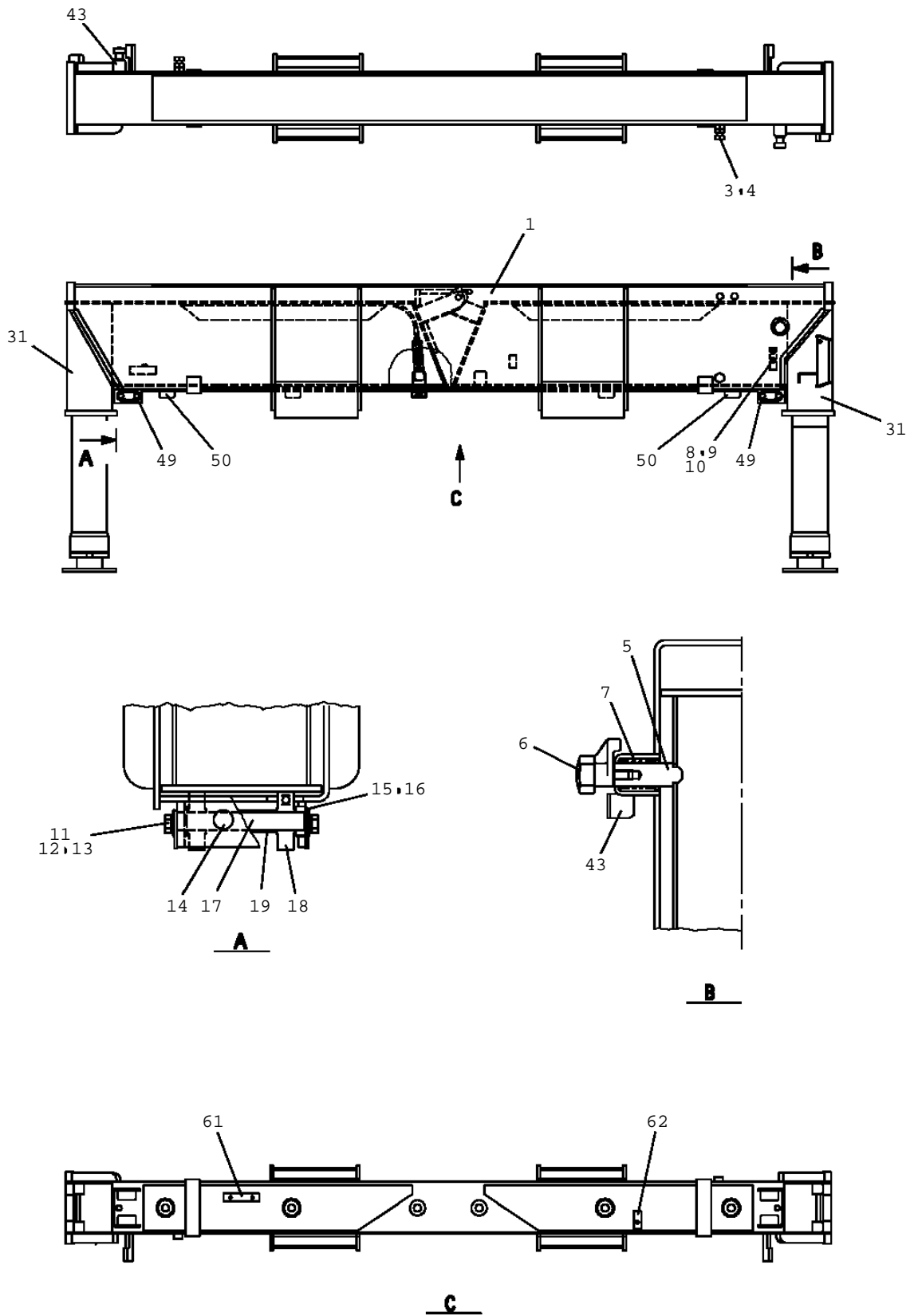
TM-ZF360 41102210360A FRAME/STD,REMOTE-RADIO CONT.,HOOK-IN
PC1010634-01 OUTRIGGER



TM-ZF360 41102210360A FRAME/STD,REMOTE-RADIO CONT.,HOOK-IN

Pos No.	Parts No	Parts Name	Qty	Unit	Technical Data	Serial No (Start)
1	31621963000	COVER	1			
2	80189305008	SCREW,MACHINE	1		M5X8	
3	(*****)	OPE.ASSY,OUTRIGGER	1			
4	80602110300	RING,RITAINING	2		R30	
5	37000146990	PIN	2			
6	31612290200	CASE, OUTER	1			
7	31612290500	CASE, INNER	1			
8	(*****)	CYLINDER,JACK	1			
9	80602110350	RING,RITAINING	2		R35	
10	31611070500	FLOAT	1			
11	37000150760	PIN	1			
13	80530000225	BEARING,BALL (KOYO)	2			
14	37000150360	PIN	1			
15	80601110150	RING,RITAINING	2		15	
16	31201770100	PLATE,SLIDE	2		T=3.0	
17	31611645000	SHIM	2			
18	31611645100	SHIM	2		T=0.6	
19	31611645200	SHIM	3		T=1.2	
31	31611300500	PLATE,NAME (WHITE)	2			
32	31611300600	PLATE,NAME (YELLOW)	4			
100	31612290100	OUTRIGGER	1			

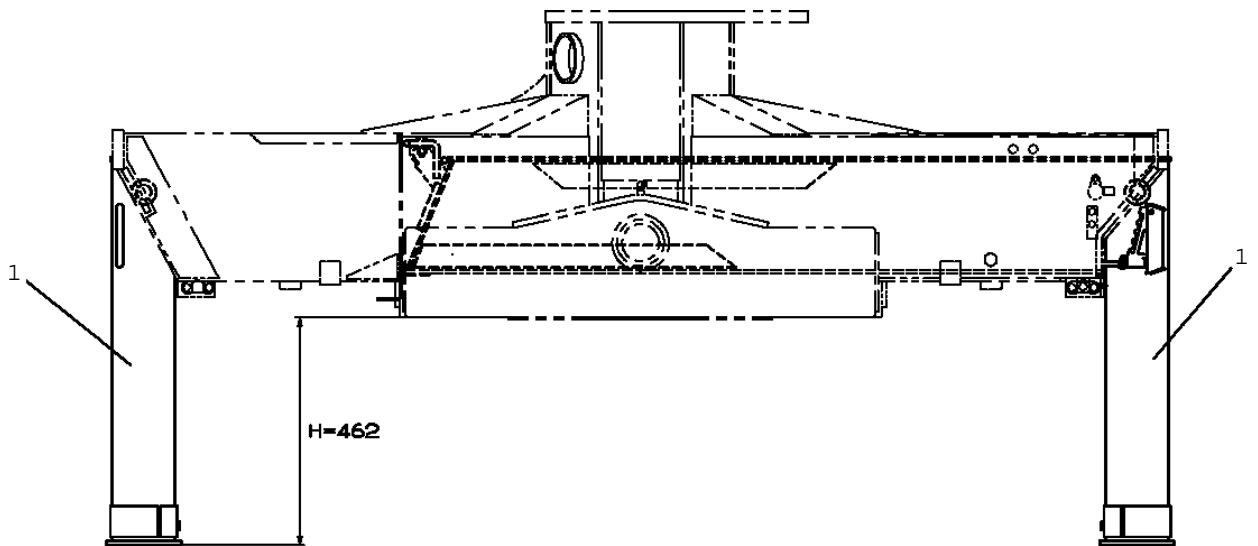
TM-ZF360 41102210360A FRAME/STD,REMOTE-RADIO CONT.,HOOK-IN
 PC1010842-00 OUTRIGGER (FOR CAB BACK)



TM-ZF360 41102210360A FRAME/STD,REMOTE-RADIO CONT.,HOOK-IN

Pos No.	Parts No	Parts Name	Qty	Unit	Technical Da
1	31612421100	FRAME ASSY	1		
3	90203201600	NUT	2		M16
4	90101216045	BOLT	2		M16X45
5	31621962301	PIN	2		
6	31621962800	KNOB	2		
7	37001201380	SPRING	2		
8	90172110016	BOLT,HEXAGON SOCKET	4		M10X16
9	90302041001	WASHER,SPRING	4		10
10	31622253600	PLATE	2		
11	90101208014	BOLT	8		M8X14
12	90303070801	WASHER,PLAIN	8		8
13	90302040801	WASHER,SPRING	8		8
14	82466003005	INSULATOR	4		
15	31621962100	SUPPORT	4		
16	31621962200	PLATE	10		T=0.5
17	37000161010	PIN	2		
18	80530000225	BEARING,BALL (KOYO)	4		
	31620582020	BEARING,BALL (KOYO)	4		
19	37000309980	SPACER	2		L=60
31	(*****)	OUTRIGGER (4T & 5.5T BASE 7T,WITH FLOAT)	2		
43	31621963300	SUPPORT	2		
49	31621961290	SUPPORT	2		
50	31621692500	SUPPORT	6		
61	37000561220	PLATE	1		
62	37000560480	PLATE	1		

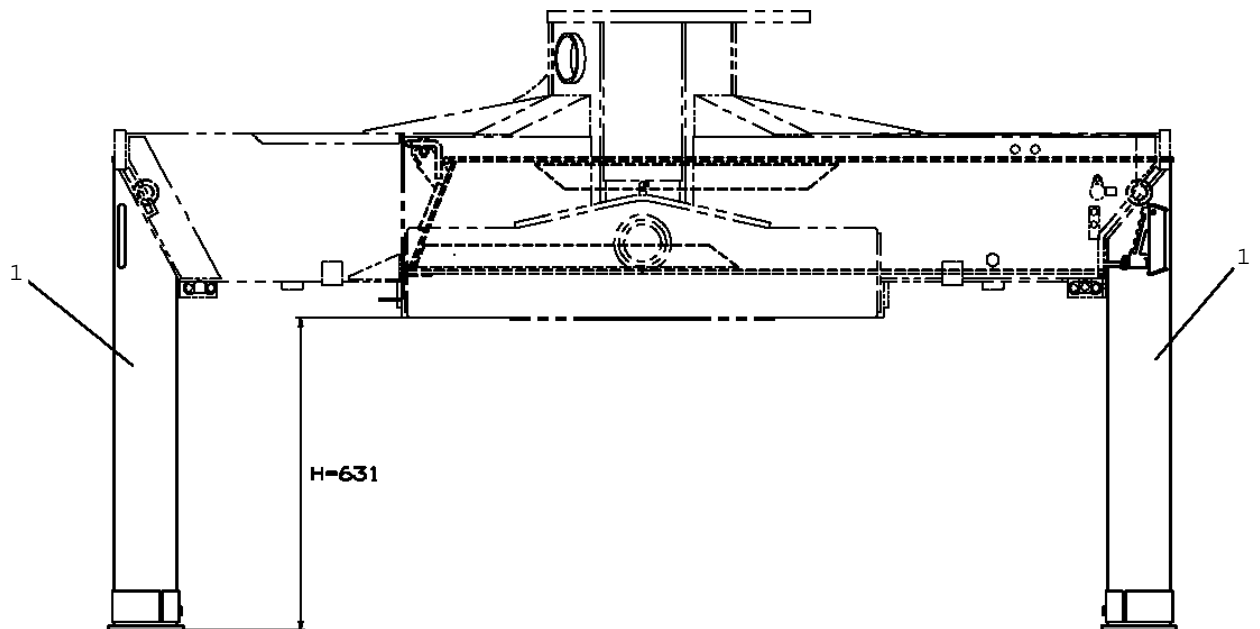
TM-ZF360 41102210360A FRAME/STD,REMOTE-RADIO CONT.,HOOK-IN
PC1011091-00 OUTRIGGER



TM-ZF360 41102210360A FRAME/STD,REMOTE-RADIO CONT.,HOOK-IN

Pos No.	Parts No	Parts Name	Qty	Unit	Technical Data	Serial No (Start)	Serial No
1	31612290100	OUTRIGGER	2				EE7028
	31612290101	OUTRIGGER	2			EE7029	

TM-ZF360 41102210360A FRAME/STD,REMOTE-RADIO CONT.,HOOK-IN
PC1011092-00 OUTRIGGER (FOR 6-7TON)



TM-ZF360 41102210360A FRAME/STD,REMOTE-RADIO CONT.,HOOK-IN

Pos No.	Parts No	Parts Name	Qty	Unit	Technical Data	Serial No (Start)	Serial No
1	31612320100	OUTRIGGER	2				EE7028
	31612320101	OUTRIGGER	2			EE7029	

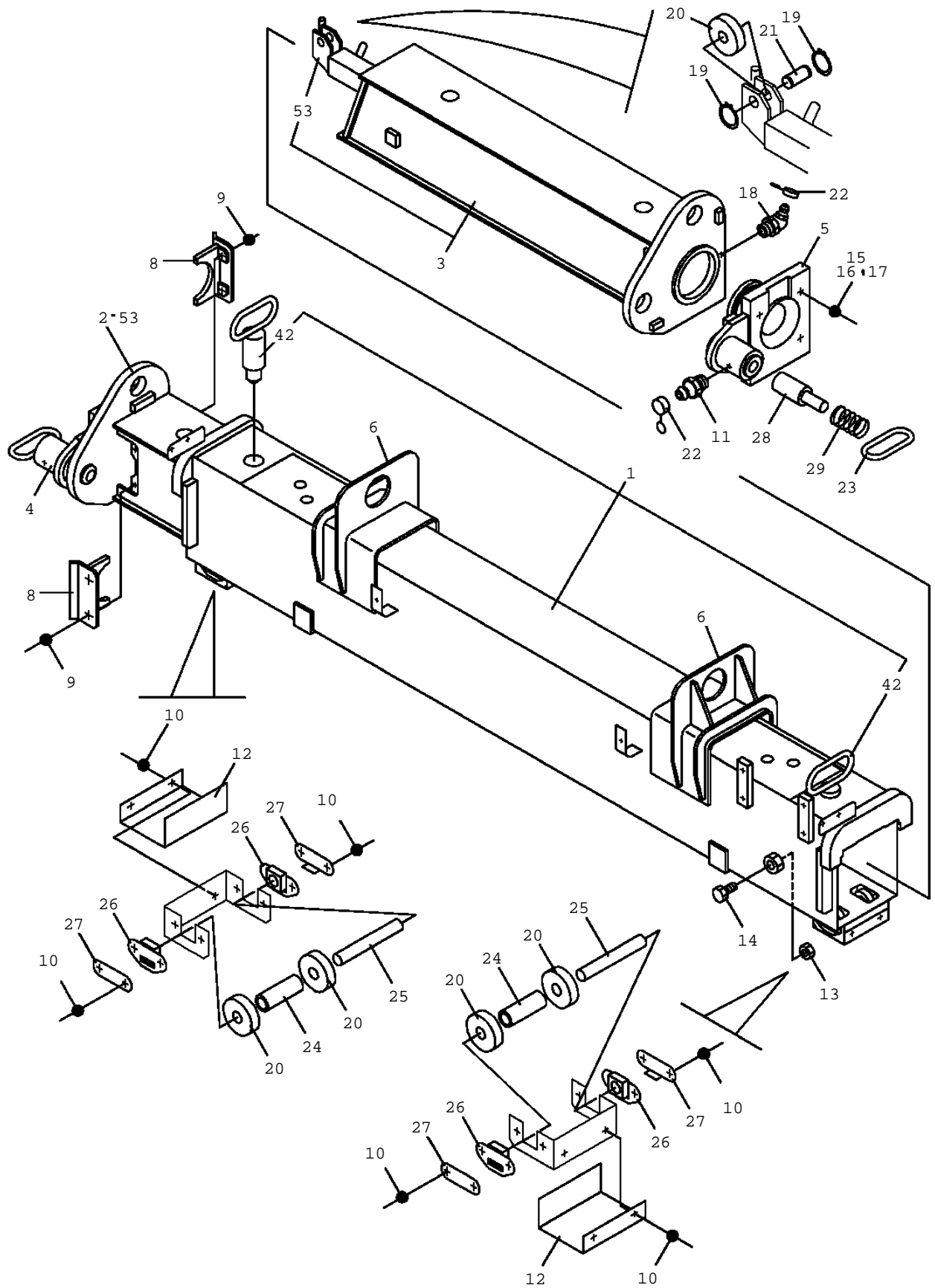
TM-ZF360 41102210360A FRAME/STD,REMOTE-RADIO CONT.,HOOK-IN
 PC1011097-00 OUTRIGGER (FOR CAB BACK)

12	パイピング,アウトリガ PIPING,OUTRIGGER
13	オペ. ASSY,アウトリガ OPE.ASSY,OUTRIGGER
14	プレートASSY,ネーム PLATE ASSY,NAME (O/R FOR CAB BACK OPE.)
11	アウトリガ OUTRIGGER (FOR CAB BACK)
12	アウトリガ OUTRIGGER (4T,WITH FLOAT)
13	パイピング,リヤ ジャッキ PIPING,REAR JACK
14	プレートASSY,ネーム PLATE ASSY,NAME (O/R FOR CAB BACK)

TM-ZF360 41102210360A FRAME/STD,REMOTE-RADIO CONT.,HOOK-IN

Pos No.	Parts No	Parts Name	Qty	Unit	Technical Dat
2	(*****)	PIPING,OUTRIGGER	1		
3	(*****)	OPE.ASSY,CONT.VALVE	1		
4	(*****)	PLATE ASSY,NAME (O/R FOR CAB BACK OPE.)	1		
11	(*****)	OUTRIGGER (FOR CAB BACK)	1		
13	(*****)	PIPING,REAR JACK (2,FOR CAB BACK)	1		
14	(*****)	PLATE ASSY,NAME (O/R FOR CAB BACK)	1		

TM-ZF360 41102210360A FRAME/STD,REMOTE-RADIO CONT.,HOOK-IN
PC1020003-00 OUTRIGGER,REAR (FRAME)



TM-ZF360 41102210360A FRAME/STD,REMOTE-RADIO CONT.,HOOK-IN

Pos No.	Parts No	Parts Name	Qty	Unit	Technical Data	Serial No (Start)
1	31623671001	CASE, OUTER	1			
2	31623672001	CASE, INNER	1			
3	31623673001	CASE, INNER	1			
4	31622004000	SUPPORT (LEFT)	1			
5	31622005000	SUPPORT (RIGHT)	1			
6	31621510100	SUPPORT	2			
8	31622000100	SUPPORT	4			
9	90186208014	BOLT, FLANGE	8		M8X14	
10	90186208010	BOLT, FLANGE	12		M8X10	
11	82456101000	NIPPLE, GREASE	2		A-PT1/8	
12	31622000200	COVER	2			
13	90203201600	NUT	2		M16	
14	90101216045	BOLT	2		M16X45	
15	90142714025	BOLT, STUD	8			
16	90302041401	WASHER, SPRING	8		14	
17	90201481400	NUT	8		M14	
18	82458102000	NIPPLE, GREASE	2		B-PT1/8	
19	80601110150	RING, RITAINING	4		15	
20	80530000225	BEARING, BALL (KOYO)	6			
	31620582020	BEARING, BALL (KOYO)	6			KB7532
21	37000134180	PIN	2			
22	82400000459	CAP	4			
23	37003100030	GRIP	2			
24	37000309980	SPACER	2		L=60	
25	37000161010	PIN	2			
26	31621962100	SUPPORT	4			
27	31621962200	PLATE	12		T=0.5	
28	31621340200	PIN	2			
29	37001200720	SPRING	2			
42	31620580100	PIN ASSY	2			
53	31623679510	SUPPORT ASSY	2			

TM-ZF360 41102210360A FRAME/STD,REMOTE-RADIO CONT.,HOOK-IN
PC1020014-00 OUTRIGGER,REAR (ROTARY)

2	オペ .ASSY,ソウサハ ^ル ブ ^ル OPE .ASSY,CONT .VALVE
3	ハ ^イ ビ ^ン ク ^ク ,アウトリカ ^カ PIPING,OUTRIGGER
4	ハイセンASSY ELEC.ASSY
5	フ ^レ ートASSY,ネーム PLATE ASSY,NAME
11	アウトリカ ^カ OUTRIGGER
12	シリンダ ^ダ ,ジ ^ャ ツキ ^キ CYLINDER,JACK
13	ハ ^イ ビ ^ン ク ^ク ,リヤ ^ヤ ジ ^ャ ツキ ^キ PIPING,REAR JACK

TM-ZF360 41102210360A FRAME/STD,REMOTE-RADIO CONT.,HOOK-IN

Pos No.	Parts No	Parts Name	Qty	Unit	Technical Data	Seri
2	(*****)	OPE. ASSY, CONT. VALVE (O/R, REAR)	1			
3	(*****)	PIPING, OUTRIGGER (REAR)	1			
4	(*****)	ELEC. ASSY (OUTRIGGER, REAR)	1			
5	(*****)	PLATE ASSY, NAME (OUTRIGGER, REAR)	1			
11	(*****)	OUTRIGGER (REAR)	1			
12	(*****)	CYLINDER, JACK (REAR OUTRIGGER)	2			
13	(*****)	PIPING, REAR JACK (2, ROTARY)	1			

TM-ZF360 41102210360A FRAME/STD,REMOTE-RADIO CONT.,HOOK-IN
 PC1020016-00 OUTRIGGER,REAR (ROTARY)

12	オペ .ASSY,ソウサハ ^ル フ ^ク OPE.ASSY,CONT.VALVE
13	ハ ^イ ビ ^ン ク ^ク ,アウトリカ ^ク PIPING,OUTRIGGER
14	ハイセンASSY ELEC.ASSY (REAR OUTRIGGER)
15	プ ^レ ートASSY,ネ-ム PLATE ASSY,NAME
16	ハイセンASSY ELEC.ASSY (REAR O/R,POWER SOURCE)
11	アウトリカ ^ク OUTRIGGER
12'	シリンダ ^ク ,ジ ^ク ヤツキ CYLINDER,JACK
13'	ハ ^イ ビ ^ン ク ^ク ,リヤジ ^ク ヤツキ PIPING,REAR JACK

TM-ZF360 41102210360A FRAME/STD,REMOTE-RADIO CONT.,HOOK-IN

Pos No.	Parts No	Parts Name	Qty	Unit	Technical Data	Serial
2	(*****)	OPE. ASSY,CONT. VALVE (O/R, REAR)	1			
3	(*****)	PIPING,OUTRIGGER (REAR)	1			
4	(*****)	ELEC. ASSY (OUTRIGGER, REAR)	1			
5	(*****)	PLATE ASSY, NAME	1			
6	(*****)	ELEC. ASSY (OUTRIGGER, REAR)	1			
11	(*****)	OUTRIGGER, REAR (FRAME)	1			
12	(*****)	CYLINDER, JACK (REAR OUTRIGGER)	2			
13	(*****)	PIPING, REAR JACK (2, ROTARY)	1			

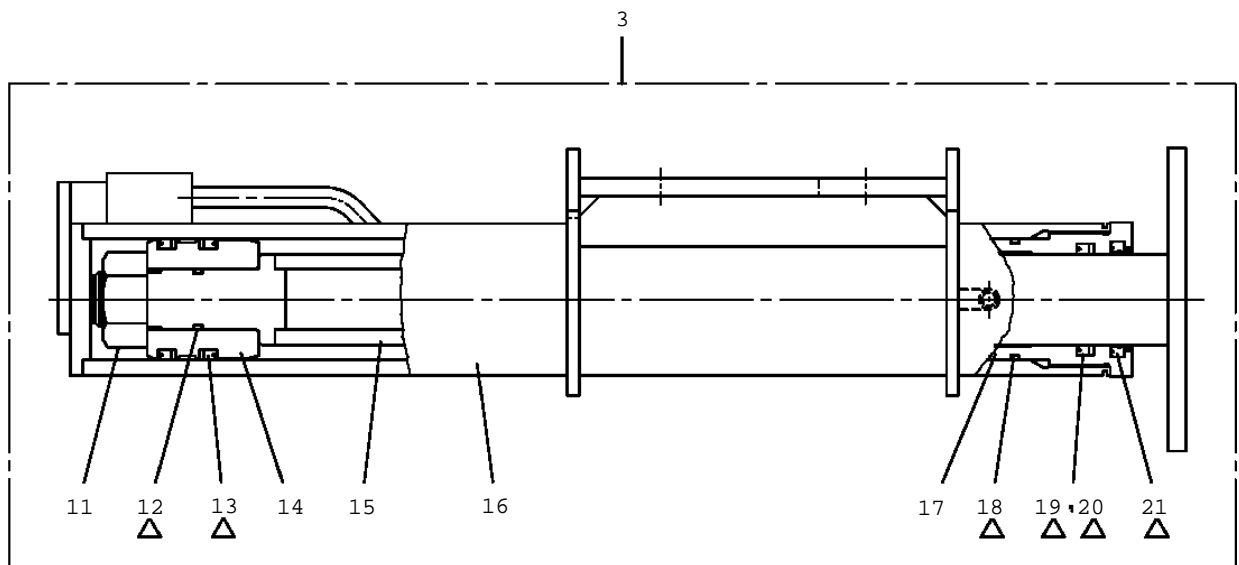
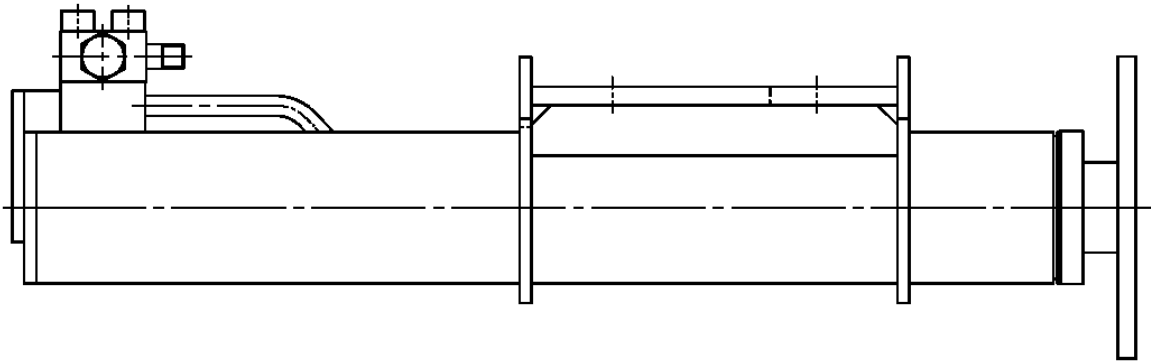
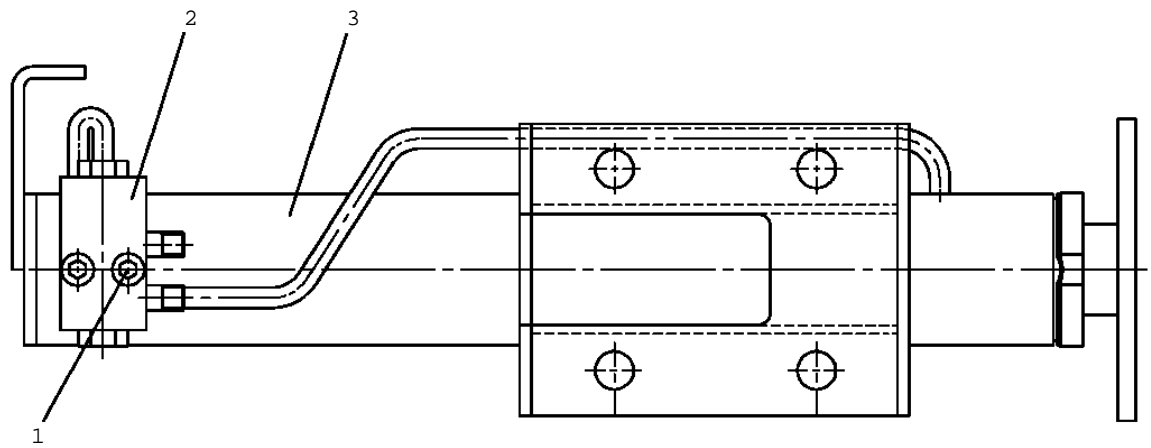
TM-ZF360 41102210360A FRAME/STD,REMOTE-RADIO CONT.,HOOK-IN
 PC1020018-00 OUTRIGGER,REAR (MANUAL)

12	オペ .ASSY,ソウサハ ^ル フ ^ク OPE.ASSY,CONT.VALVE
13	ハ ^イ ビ ^ン ク ^ク ,アウトリカ ^ク PIPING,OUTRIGGER
14	ハイセンASSY ELEC.ASSY (REAR OUTRIGGER)
15	プ ^レ ートASSY,ネ-ム PLATE ASSY,NAME
16	ハイセンASSY ELEC.ASSY (REAR O/R,POWER SOURCE)
11	アウトリカ ^ク OUTRIGGER
12'	シリンダ ^ク ,ジ ^ャ ツキ CYLINDER,JACK
13'	ハ ^イ ビ ^ン ク ^ク ,リヤジ ^ャ ツキ PIPING,REAR JACK

TM-ZF360 41102210360A FRAME/STD,REMOTE-RADIO CONT.,HOOK-IN

Pos No.	Parts No	Parts Name	Qty	Unit	Technical Data	Seri
2	(*****)	OPE. ASSY, CONT. VALVE (O/R, REAR)	1			
3	(*****)	PIPING, OUTRIGGER (REAR)	1			
4	(*****)	ELEC. ASSY (OUTRIGGER, REAR)	1			
5	(*****)	PLATE ASSY, NAME (OUTRIGGER, REAR)	1			
6	(*****)	ELEC. ASSY (OUTRIGGER, REAR)	1			
11	(*****)	OUTRIGGER (REAR)	1			
12	(*****)	CYLINDER, JACK (REAR OUTRIGGER)	2			
13	(*****)	PIPING, REAR JACK (2)	1			

TM-ZF360 41102210360A FRAME/STD,REMOTE-RADIO CONT.,HOOK-IN
 PC1030137-01 CYLINDER,JACK (REAR OUTRIGGER)

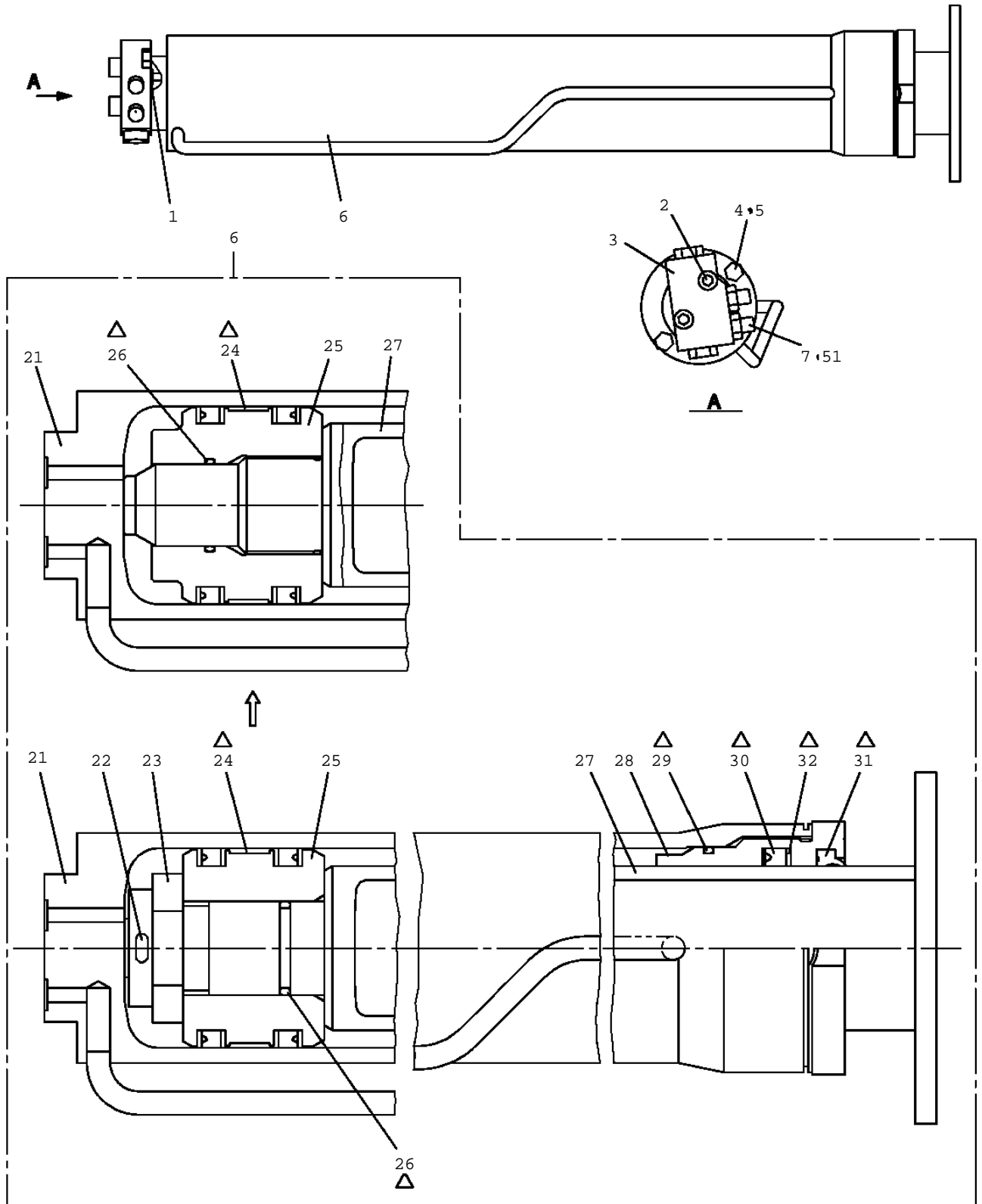


△:PACKING SET KEY NO.30 (KEY NO.12,13,18,19,20,21)

TM-ZF360 41102210360A FRAME/STD,REMOTE-RADIO CONT.,HOOK-IN

Pos No.	Parts No	Parts Name	Qty	Unit	Technical Data	Serial N
1	90172110035	BOLT,HEXAGON SOCKET	2		M10X35	
2	36620140000	VALVE,PILOT CHECK	1			
3	36033160000	CYLINDER,JACK	1			
11	37001601420	NUT	1		M27X2	
12	91002902500	O-RING	1		1B G25	
13	91350206000	BEARING,PLAIN (WITH PACKINGX2)	1			
14	36013823000	PISTON	1			
15	36033162000	ROD	1			
16	36033161000	CYLINDER	1			
17	36013823200	COVER,ROD	1			
18	91002905500	O-RING	1		1B G55	
19	91694004500	PACKING	1			
20	91410204502	RING,BACKUP	1			
21	91660004501	SEAL,DUST	1			
30	36033169910	PACKING SET	1		45X60	

TM-ZF360 41102210360A FRAME/STD,REMOTE-RADIO CONT.,HOOK-IN
 PC1030170-04 CYLINDER,JACK (MIN674.WITH FLOAT)

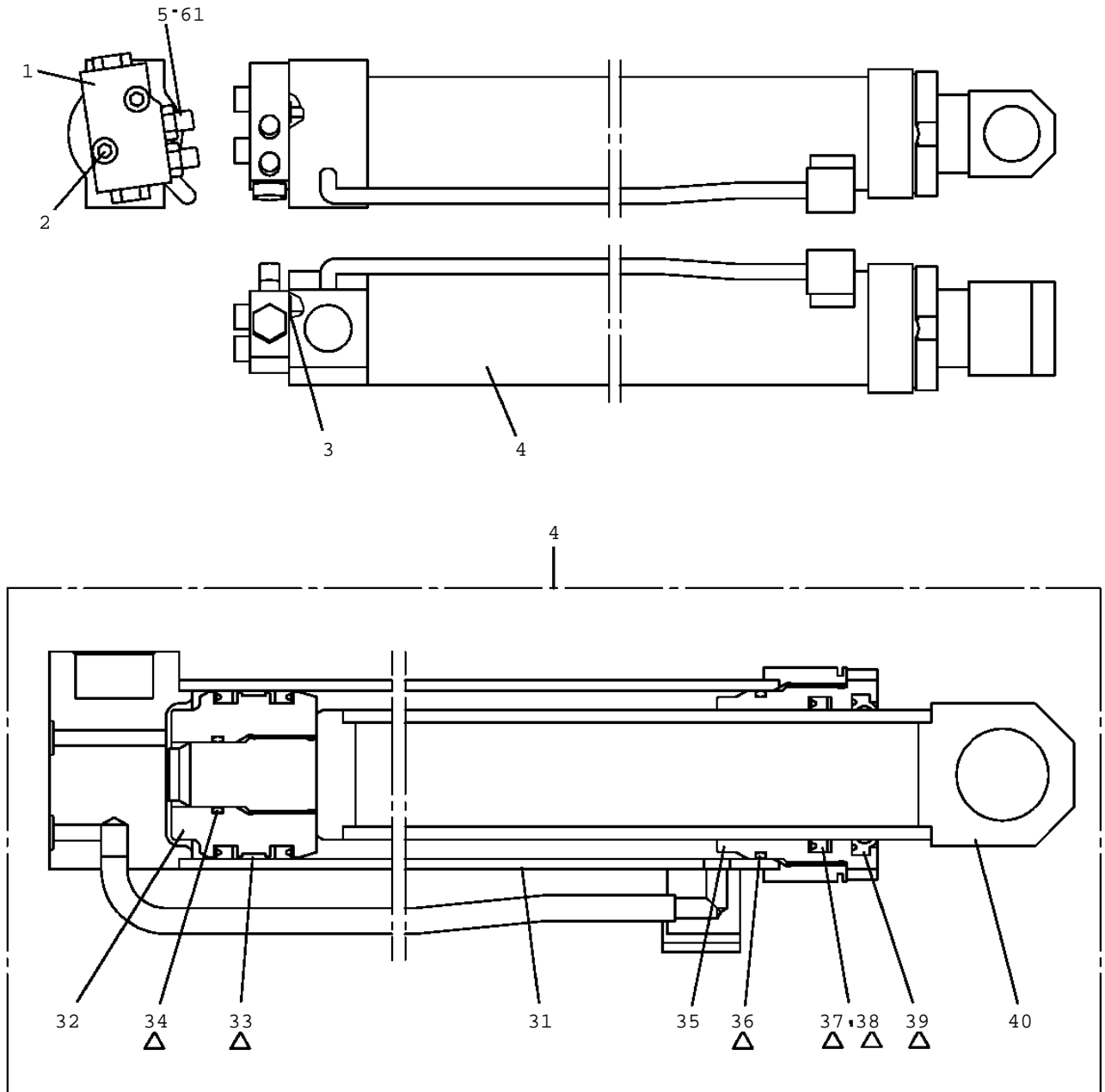


Δ:PACKING SET KEY NO. 40 (KEY NO.24,26,29,30,31,32)

TM-ZF360 41102210360A FRAME/STD,REMOTE-RADIO CONT.,HOOK-IN

Pos No.	Parts No	Parts Name	Qty	Unit	Technical Data
1	91001101000	O-RING	2		1A P10
2	90172110040	BOLT,HEXAGON SOCKET	2		M10X40
3	36623930000	VALVE,PILOT CHECK	1		
4	90174110025	BOLT	2		M10X25
5	31611230010	WASHER,PLAIN	2		10
6	36033430000	CYLINDER,JACK (CAST)	1		
7	80491002020	JOINT (WITH O-RING)	2		
21	36031480100	CYLINDER	1		
24	91350208501	BEARING,PLAIN(PACKINGX2+BEARING,PLAINX1)	1		
25	36033920200	PISTON	1		
26	91002903500	O-RING	1		1B G35
27	36031480301	ROD	1		
28	36032710200	COVER,ROD	1		
29	91002908000	O-RING	1		1B G80
30	91694007001	PACKING	1		
31	91660007001	SEAL,DUST	1		
32	91410207001	RING,BACKUP	1		
40	36033929900	PACKING SET	1		70X85
51	91002801100	O-RING	2		1B P11

TM-ZF360 41102210360A FRAME/STD,REMOTE-RADIO CONT.,HOOK-IN
 PC1030182-02 CYLINDER,JACK

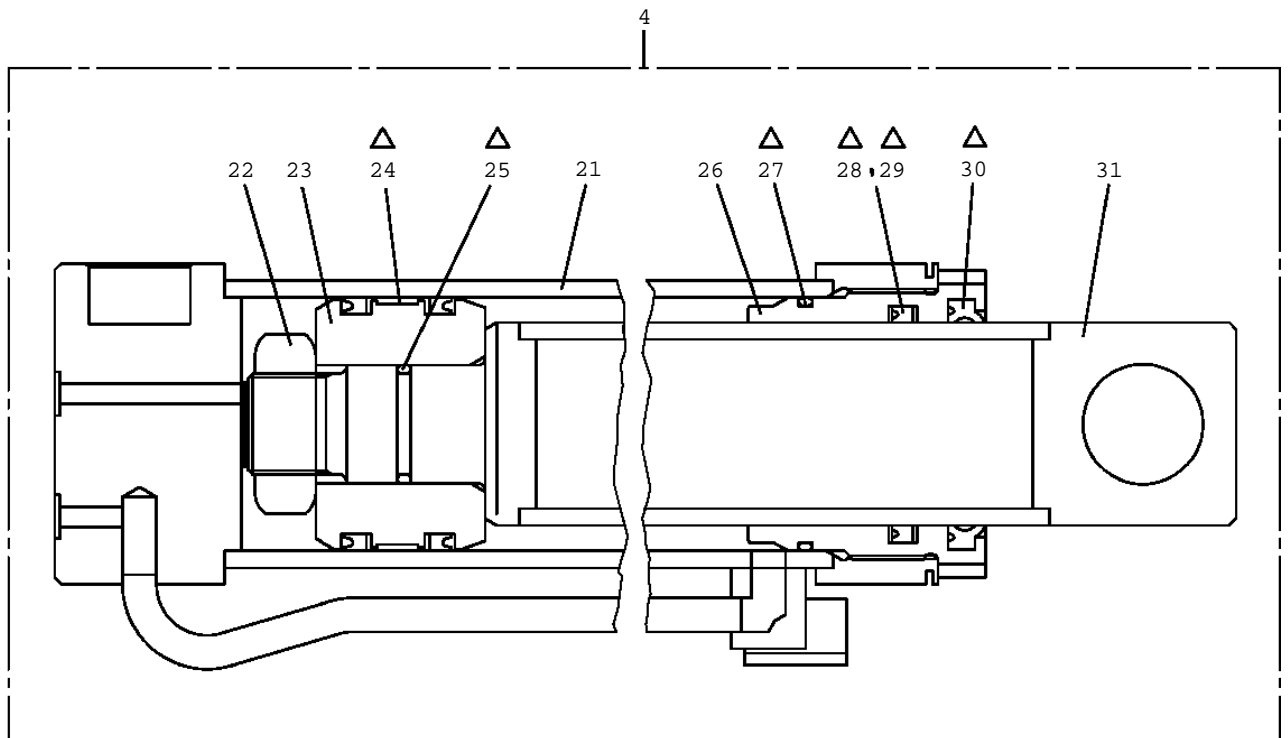
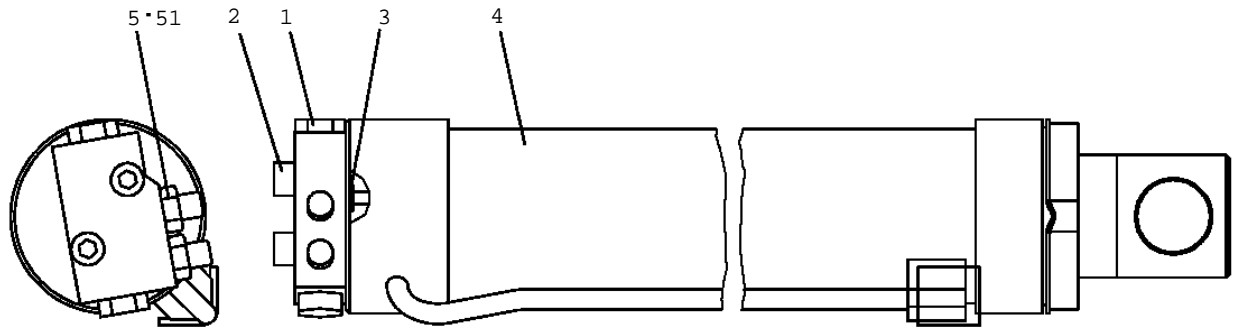


Δ:PACKING SET KEY NO.50 (KEY NO.33,34,36,37,38,39)

TM-ZF360 41102210360A FRAME/STD,REMOTE-RADIO CONT.,HOOK-IN

Pos No.	Parts No	Parts Name	Qty	Unit	Technical Data	Serial N
1	36623930000	VALVE,PILOT CHECK	1			
2	90172110040	BOLT,HEXAGON SOCKET	2		M10X40	
3	91001101000	O-RING	2		1A P10	
4	36033610000	CYLINDER,JACK	1			
5	80491002020	JOINT (WITH O-RING)	2			
31	36033610100	CYLINDER	1			
32	36032980200	PISTON	1			
33	91350206500	BEARING,PLAIN (WITH PACKINGX2)	1			
34	91002902500	O-RING	1		1B G25	
35	36032040400	COVER,ROD	1			
36	91002906000	O-RING	1		1B G60	
37	91694005000	PACKING	1			
38	91410205001	RING,BACKUP	1			
39	91660005001	SEAL,DUST	1			
40	36032880400	ROD	1			
50	36032889910	PACKING SET	1		50X65	
61	91002801100	O-RING	2		1B P11	

TM-ZF360 41102210360A FRAME/STD,REMOTE-RADIO CONT.,HOOK-IN
PC1030213-02 CYLINDER,JACK

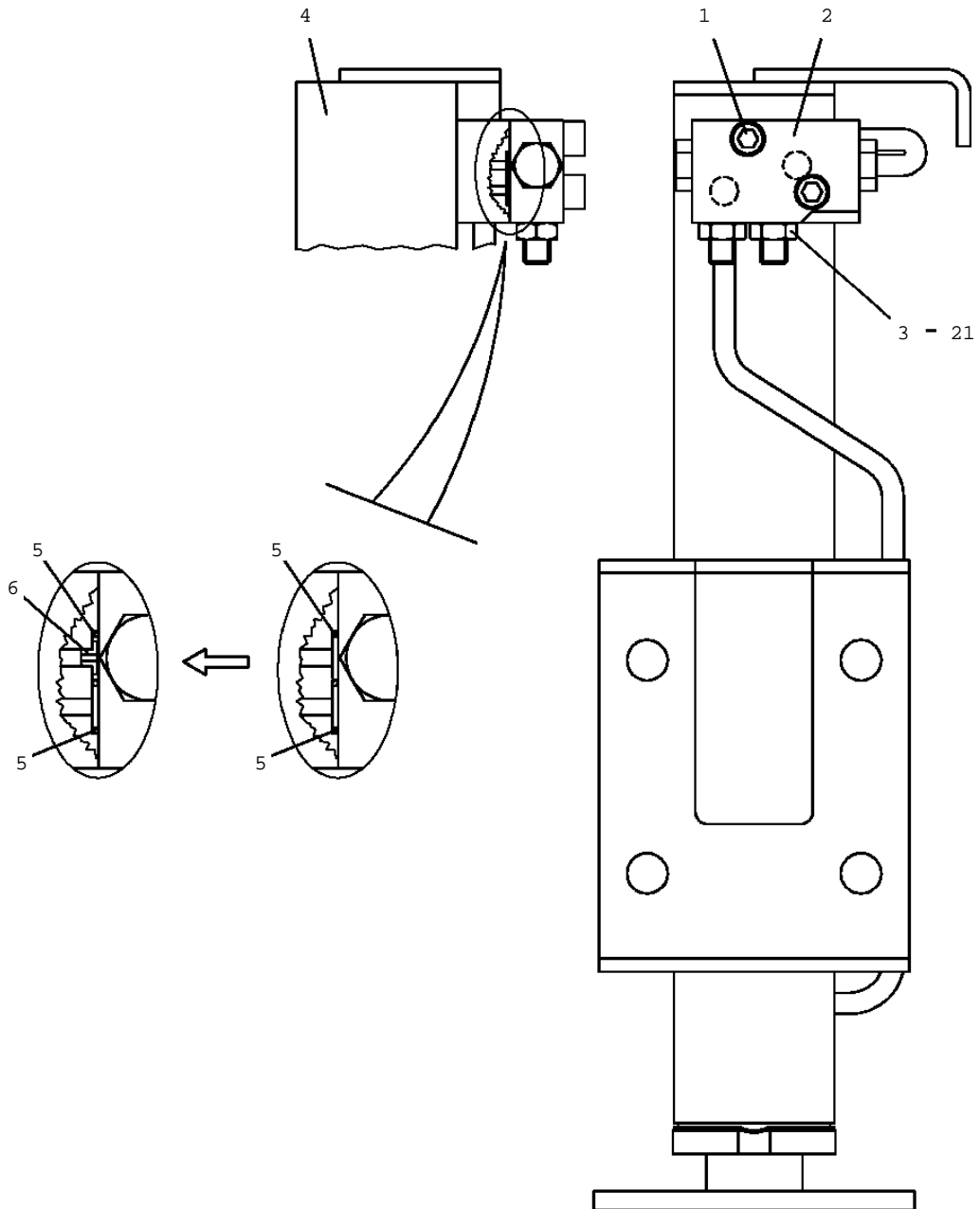


Δ:PACKING SET KEY NO.40 (KEY NO.24,25,27,28,29,30)

TM-ZF360 41102210360A FRAME/STD,REMOTE-RADIO CONT.,HOOK-IN

Pos No.	Parts No	Parts Name	Qty	Unit	Technical Data	Serial N
1	36623930000	VALVE,PILOT CHECK	1			
2	90172110040	BOLT,HEXAGON SOCKET	2		M10X40	
3	91001101000	O-RING	2		1A P10	
4	36034120000	CYLINDER,JACK	1			
5	80491002020	JOINT (WITH O-RING)	2			
21	36034120100	CYLINDER	1			
22	90211203000	NUT	1		M30X3/2	
23	36032110300	PISTON	1			
24	91350207500	BEARING,PLAIN (WITH PACKINGX2)	1			
25	91002903000	O-RING	1		1B G30	
26	36032020200	COVER,ROD	1			
27	91002907000	O-RING	1		1B G70	
28	91694006000	PACKING	1			
29	91410206002	RING,BACKUP	1			
30	91660006001	SEAL,DUST	1			
31	36032410200	ROD	1			
40	36034129900	PACKING SET	1		60X75	
51	91002801100	O-RING	2		1B P11	

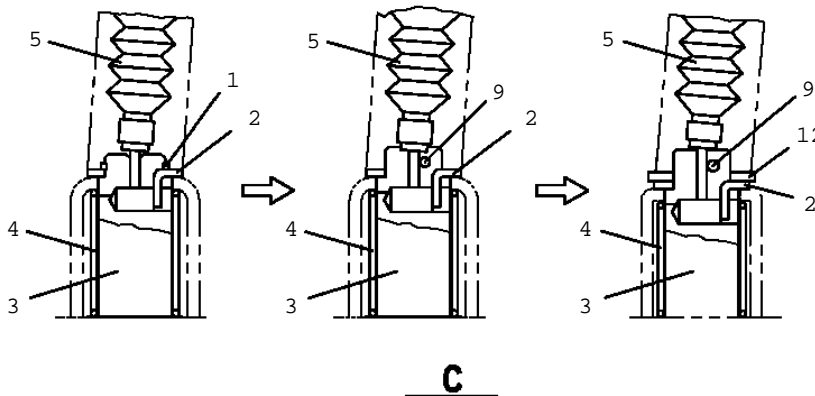
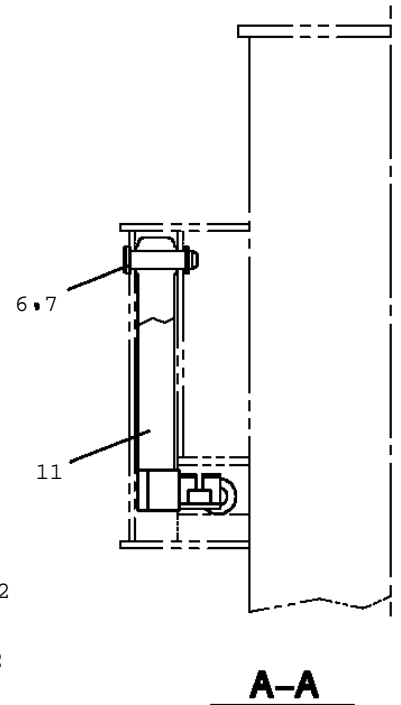
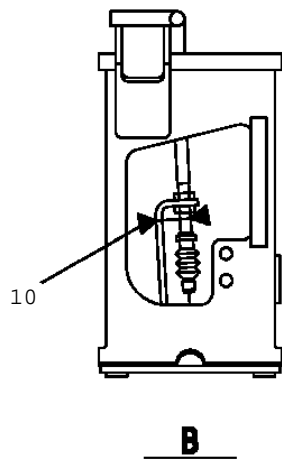
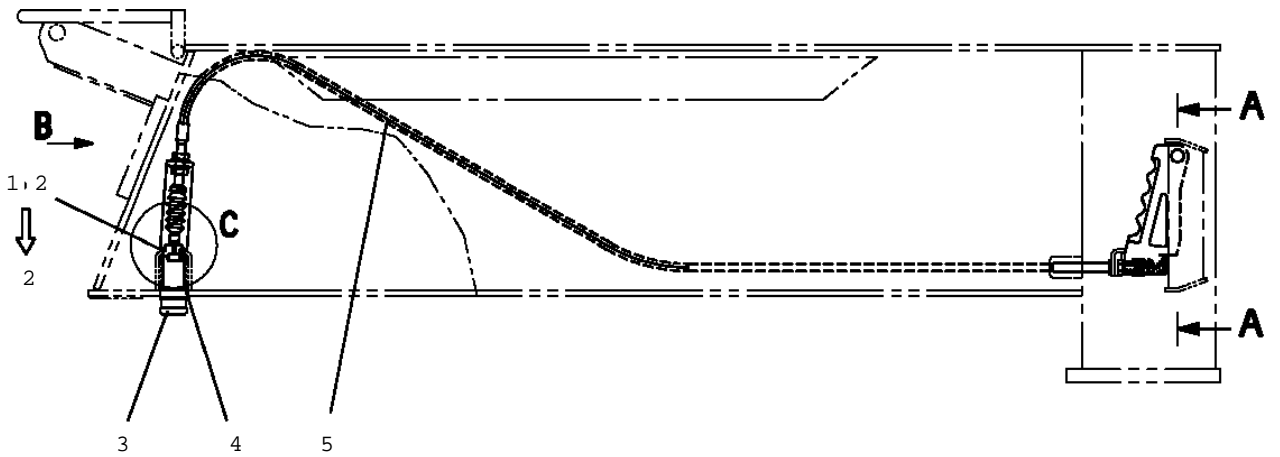
TM-ZF360 41102210360A FRAME/STD,REMOTE-RADIO CONT.,HOOK-IN
PC1030301-02 CYLINDER,JACK (REAR OUTRIGGER)



TM-ZF360 41102210360A FRAME/STD,REMOTE-RADIO CONT.,HOOK-IN

Pos No.	Parts No	Parts Name	Qty	Unit	Technical Data	Serial No (Start)
1	90172110035	BOLT,HEXAGON SOCKET	2		M10X35	
2	36623930000	VALVE,PILOT CHECK	1			
3	80491002020	JOINT (WITH O-RING)	2			
4	36034730000	CYLINDER ASSY,JACK	1			
	36034730001	CYLINDER ASSY,JACK	1			KA6843
5	91002801000	O-RING	2		1B P10	
6	42610020510	CHOKE	1			KA6843
21	91002801100	O-RING	2		1B P11	

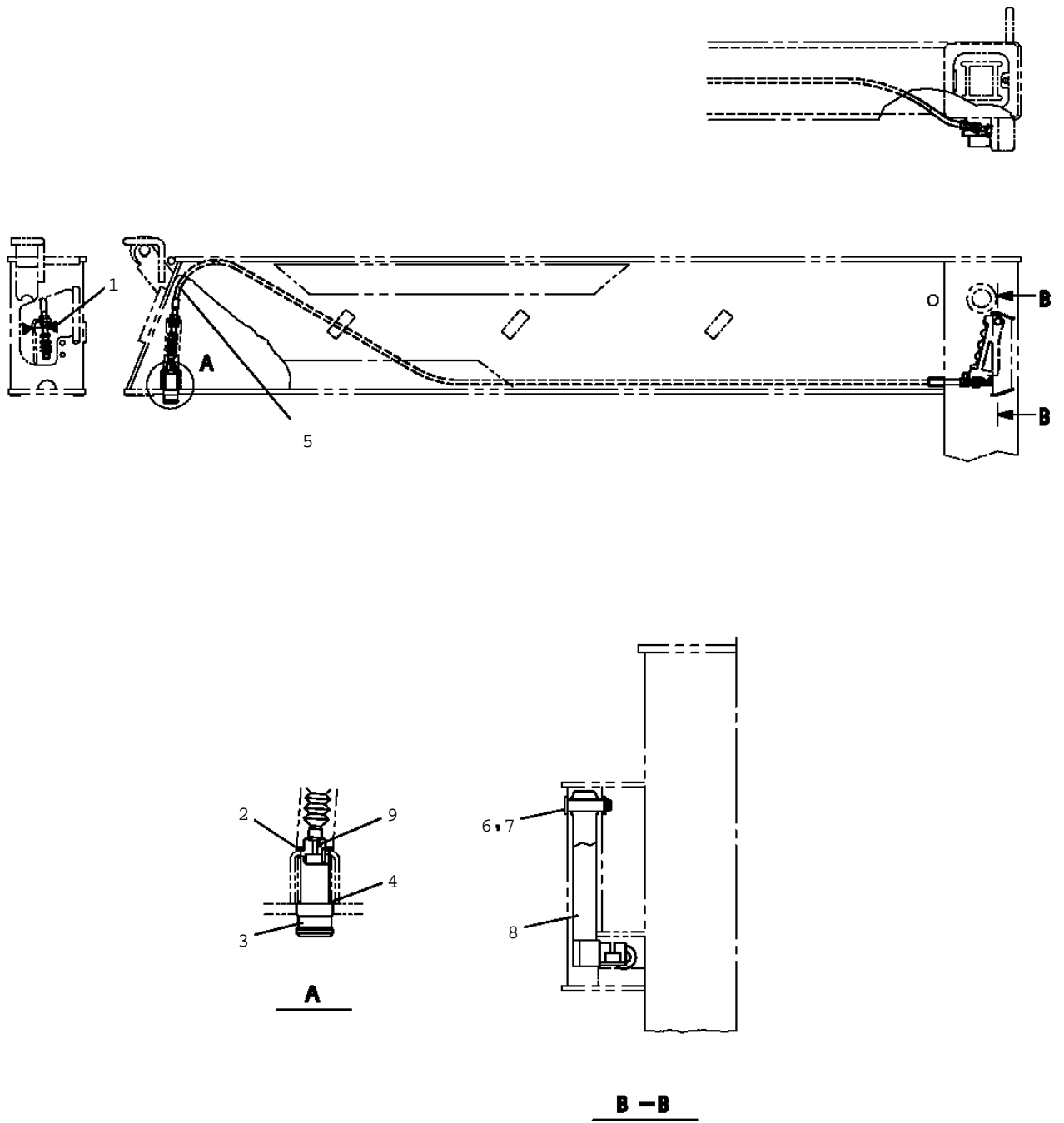
TM-ZF360 41102210360A FRAME/STD,REMOTE-RADIO CONT.,HOOK-IN
PC1100146-05 OPE.ASSY,OUTRIGGER



TM-ZF360 41102210360A FRAME/STD,REMOTE-RADIO CONT.,HOOK-IN

Pos No.	Parts No	Parts Name	Qty	Unit	Technical Data	Serial No
2	31330920700	PLATE	1			
3	31330920800	PIN	1			
	31331610100	PIN	1			KA5941
4	37001201380	SPRING	1			
5	37001707580	CABLE,CONTROL (MICHANG CABLE)	1			
6	37000161150	PIN	1			
7	80613310060	RING,RITAINING	1		6	
9	80136332020	PIN,SPLIT	1		3.2X20	
10	91810130250	FASTENER	1			
11	31330921100	GRIP	1			
12	90303071401	WASHER,PLAIN	1		14	KA5941

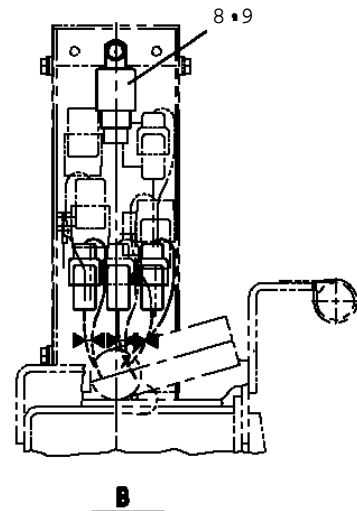
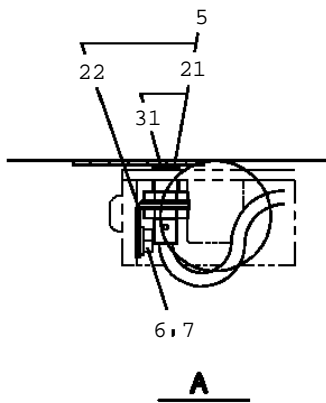
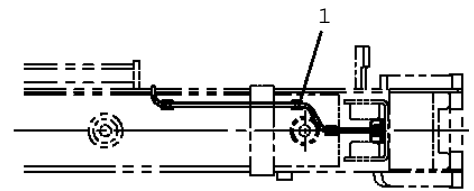
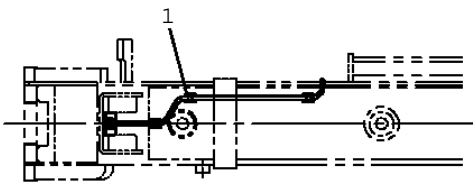
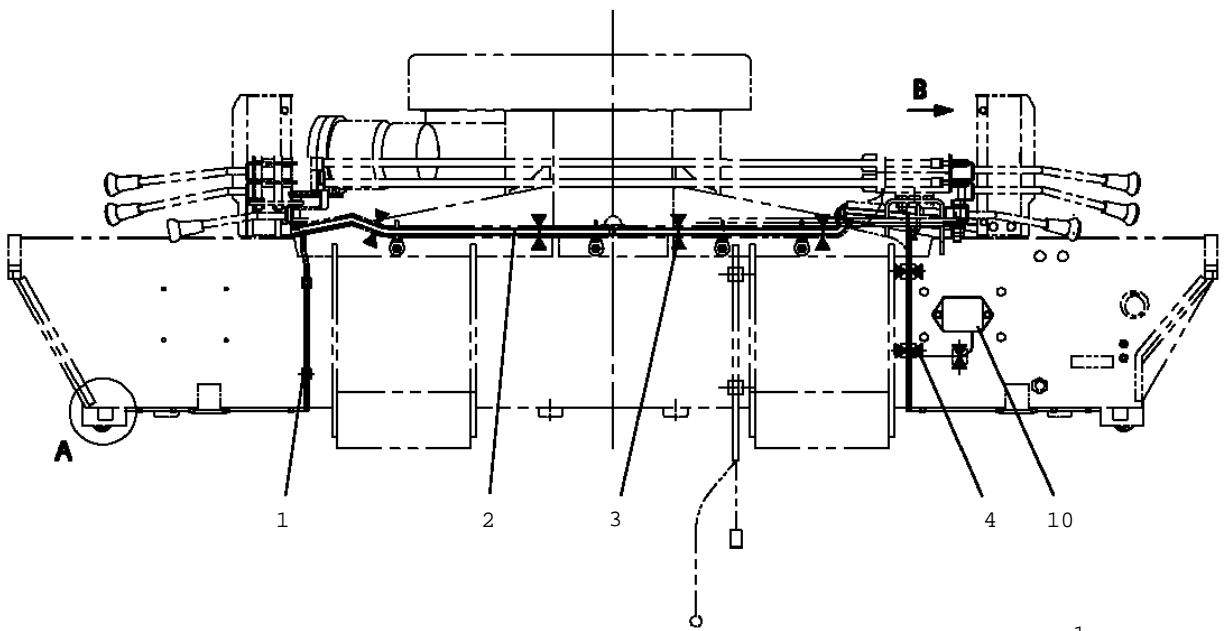
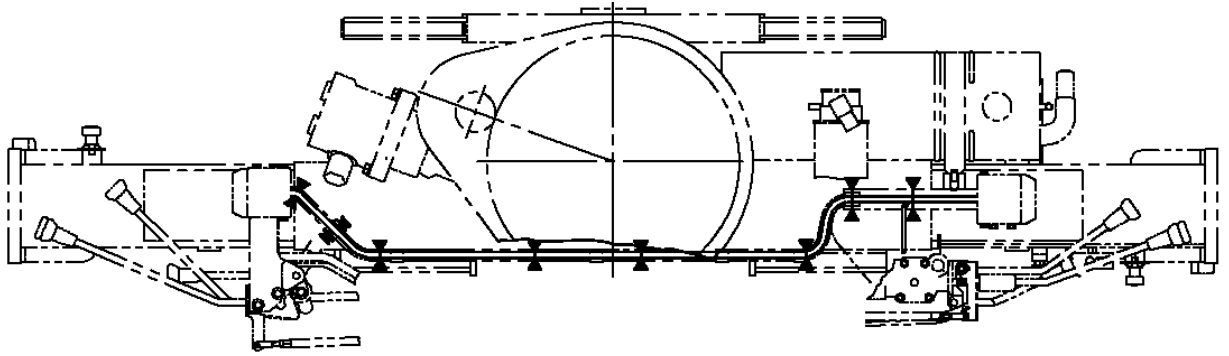
TM-ZF360 41102210360A FRAME/STD,REMOTE-RADIO CONT.,HOOK-IN
PC1100197-03 OPE.ASSY,OUTRIGGER



TM-ZF360 41102210360A FRAME/STD,REMOTE-RADIO CONT.,HOOK-IN

Pos No.	Parts No	Parts Name	Qty	Unit	Technical Data	Serial No (
1	91810130250	FASTENER	1			
2	31330920700	PLATE	1			
3	31330920800	PIN	1			
4	37001201380	SPRING	1			
5	37001707510	CABLE,CONTROL (NIPPON FLEX)	1			
6	37000161150	PIN	1			
7	80613310060	RING,RITAINING	1		6	
8	31330921100	GRIP	1			
9	80136332020	PIN,SPLIT	1		3.2X20	

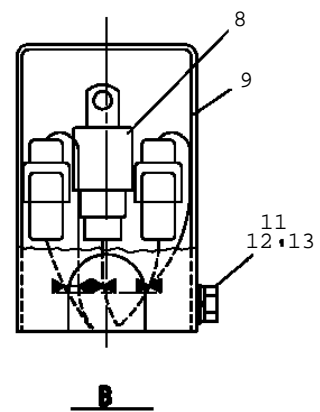
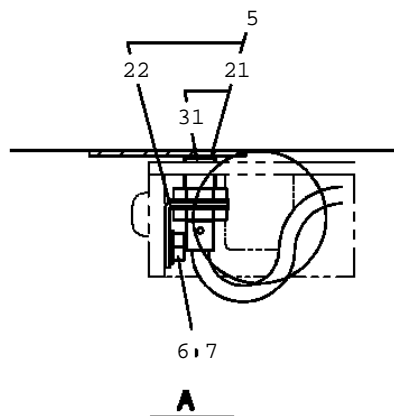
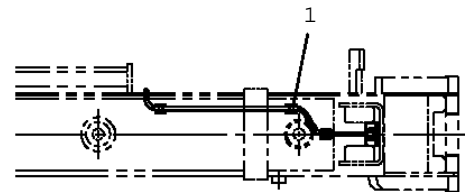
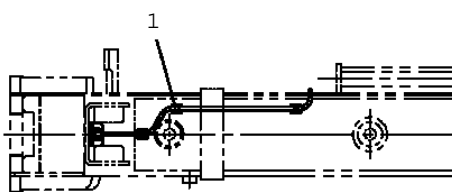
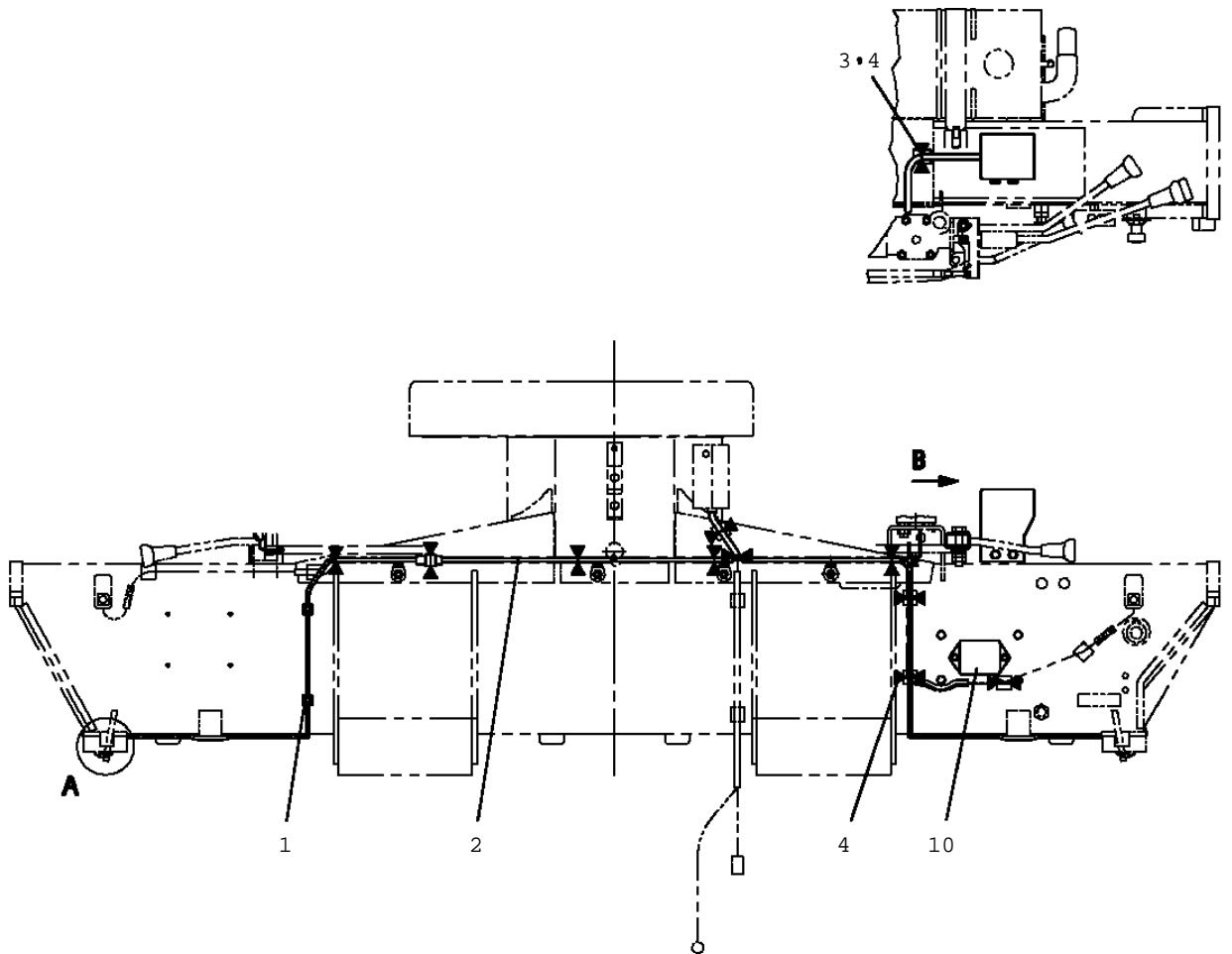
TM-ZF360 41102210360A FRAME/STD,REMOTE-RADIO CONT.,HOOK-IN
PC1190020-00 INDICATOR,OUTRIGGER



TM-ZF360 41102210360A FRAME/STD,REMOTE-RADIO CONT.,HOOK-IN

Pos No.	Parts No	Parts Name	Qty	Unit	Technical Data	Serial No (Start)	Serial
1	82401600506	CLAMP	8				
2	31360204100	HARNESS	1				
3	91810130250	FASTENER	8				
4	91810130240	FASTENER	8				
5	31360204300	SWITCH ASSY	2				
6	90101206008	BOLT	4		M6X8		
7	90302040601	WASHER,SPRING	4		6		
8	82100002596	RELAY	1				
9	80192486010	SCREW,MACHINE	1		M6X10		
10	31360204200	BUZZER ASSY	1				
21	31360204400	SWITCH ASSY	2				
22	31360204310	SUPPORT	2				
31	82108101100	SWITCH	2				

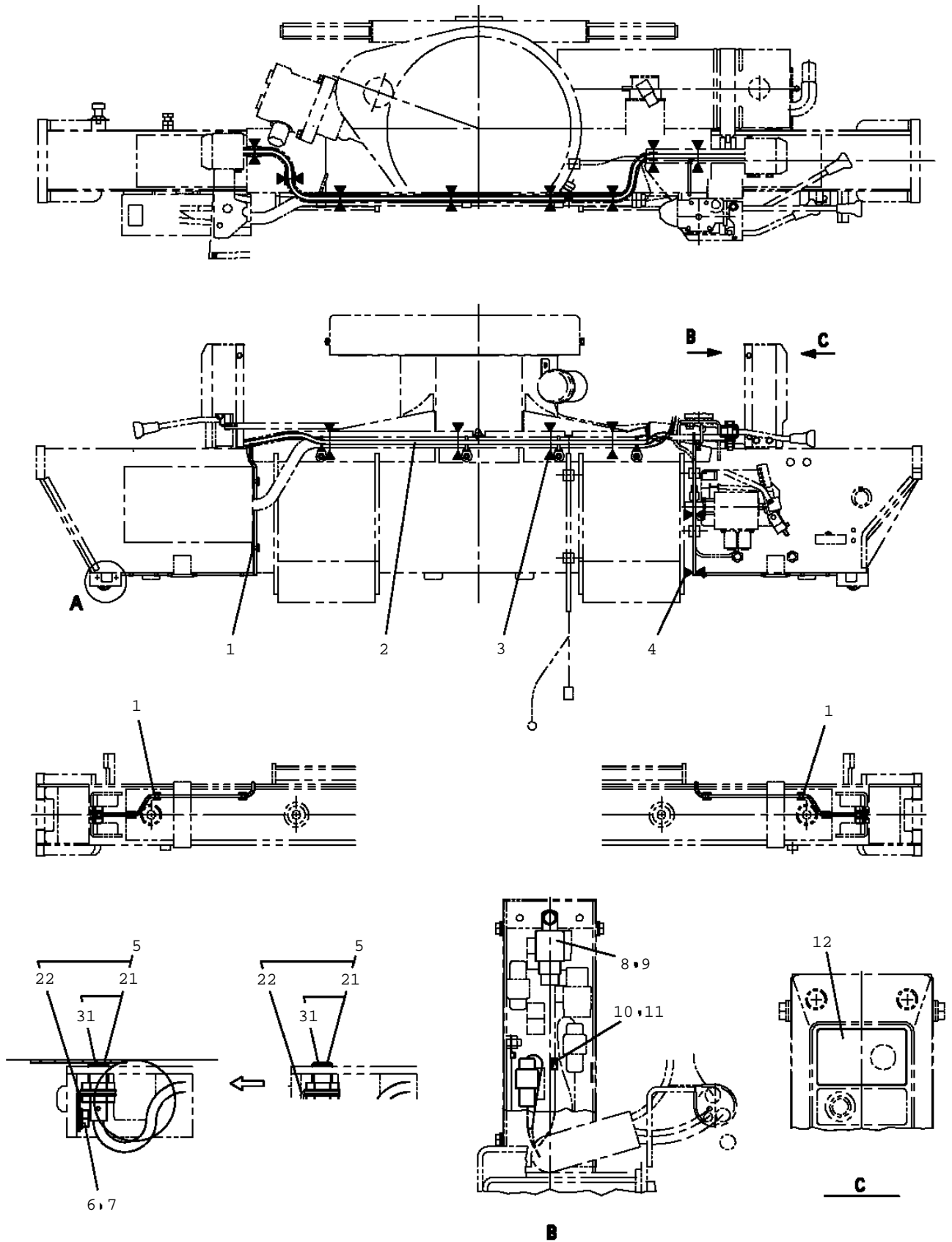
TM-ZF360 41102210360A FRAME/STD,REMOTE-RADIO CONT.,HOOK-IN
PC1190021-00 INDICATOR,OUTRIGGER



TM-ZF360 41102210360A FRAME/STD,REMOTE-RADIO CONT.,HOOK-IN

Pos No.	Parts No	Parts Name	Qty	Unit	Technical Data	Serial No (Start)	Serial
1	82401600506	CLAMP	8				
2	31360214100	HARNESS	1				
3	82401601002	CLAMP	1				
4	91810130240	FASTENER	16				
5	31360204300	SWITCH ASSY	2				
6	90101206008	BOLT	4		M6X8		
7	90302040601	WASHER,SPRING	4		6		
8	82100002596	RELAY	1				
9	31652300100	COVER	1				
10	31360204200	BUZZER ASSY	1				
11	90101208014	BOLT	3		M8X14		
12	90302040801	WASHER,SPRING	3		8		
13	90303070801	WASHER,PLAIN	3		8		
21	31360204400	SWITCH ASSY	2				
22	31360204310	SUPPORT	2				
31	82108101100	SWITCH	2				

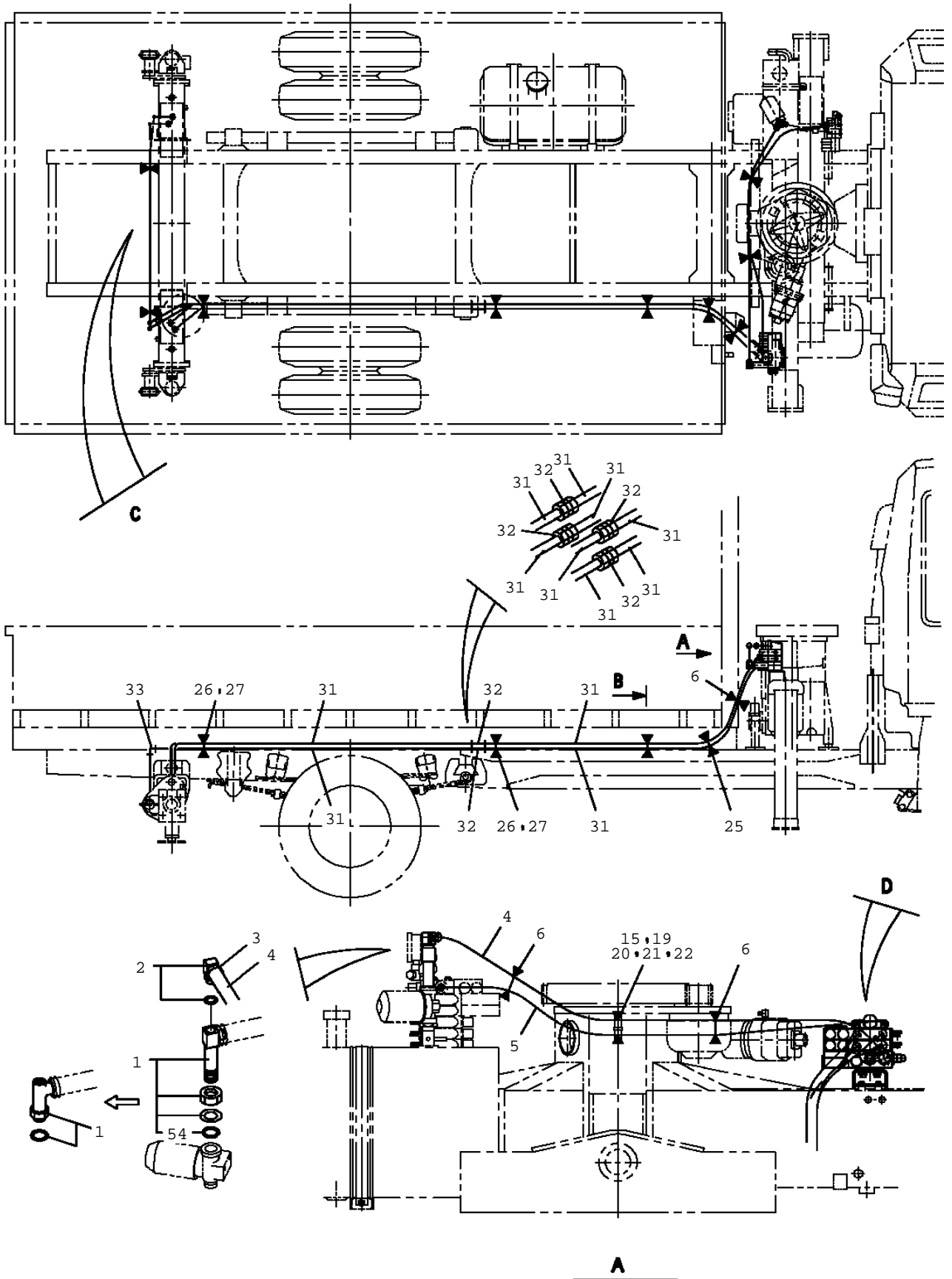
TM-ZF360 41102210360A FRAME/STD,REMOTE-RADIO CONT.,HOOK-IN
PC1190022-00 INDICATOR,OUTRIGGER



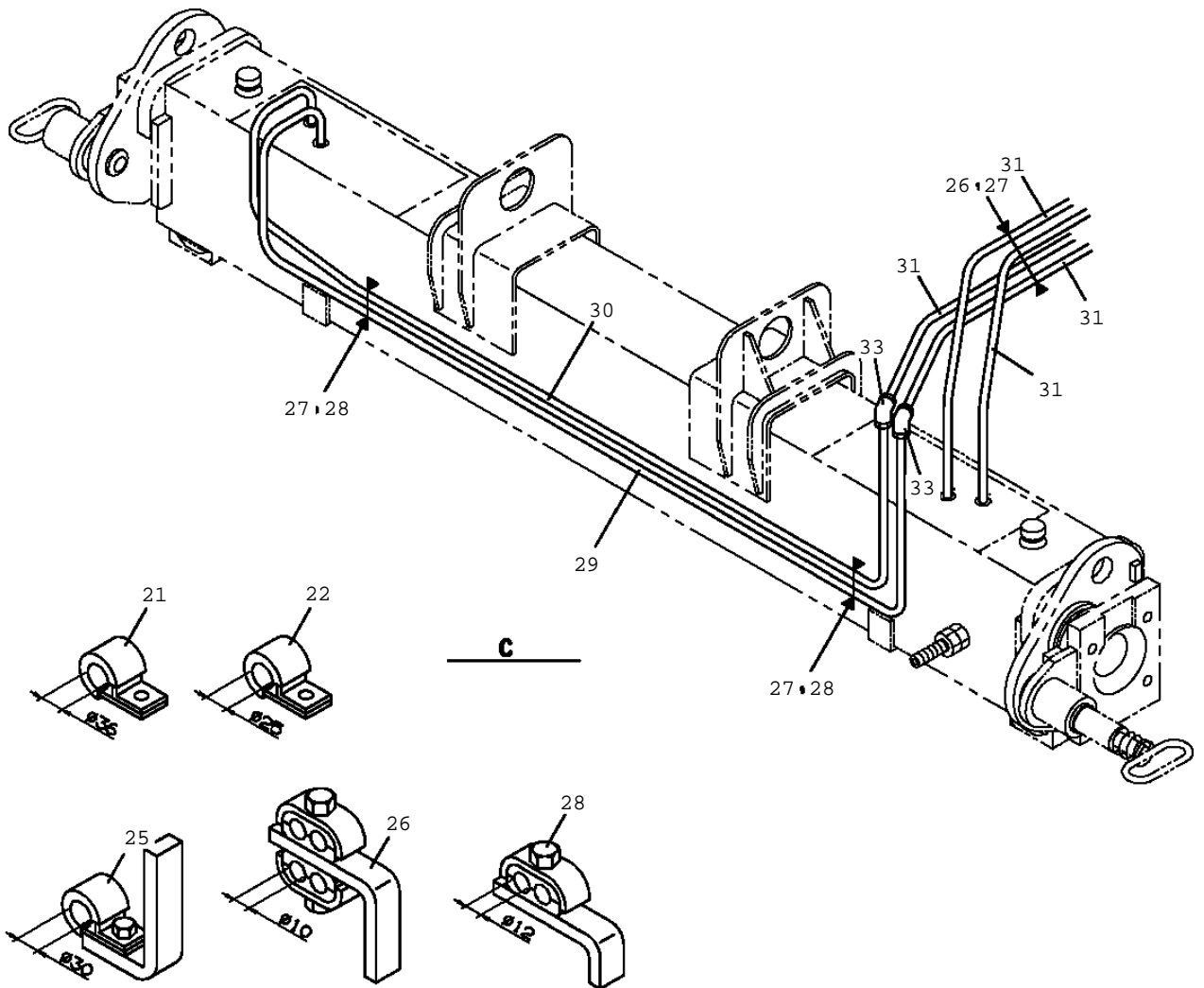
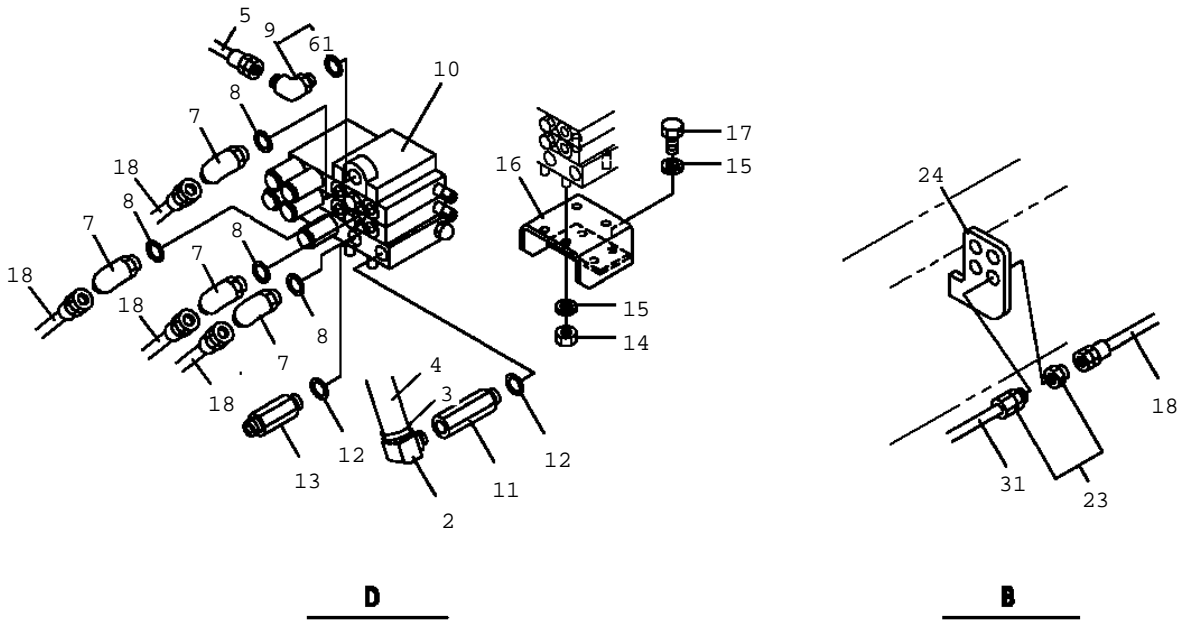
TM-ZF360 41102210360A FRAME/STD,REMOTE-RADIO CONT.,HOOK-IN

Pos No.	Parts No	Parts Name	Qty	Unit	Technical Data	Serial No (Start)	Serial
1	82401600506	CLAMP	8				
2	31360224100	HARNESS	1				
3	91810130250	FASTENER	8				
4	91810130240	FASTENER	5				
5	31360204300	SWITCH ASSY	2				
6	90101206008	BOLT	4		M6X8		
7	90302040601	WASHER,SPRING	4		6		
8	82100002597	RELAY	1				
9	80192486010	SCREW,MACHINE	1		M6X10		
10	82100000191	TERMINAL	1				
11	82100000183	INSULATOR	1				
12	31360224200	PLATE,NAME	1				
21	31360204400	SWITCH ASSY	2				
22	31360204310	SUPPORT	2				
31	82108101100	SWITCH	2				

TM-ZF360 41102210360A FRAME/STD,REMOTE-RADIO CONT.,HOOK-IN
PC1200251-01 PIPING,OUTRIGGER (REAR)



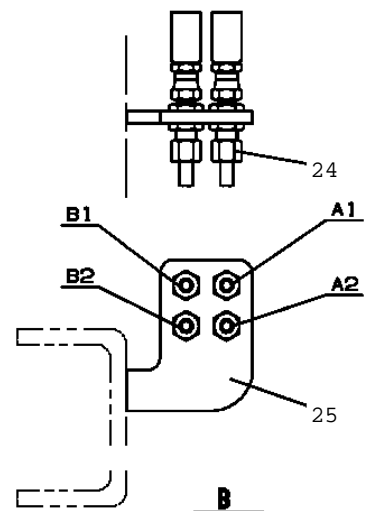
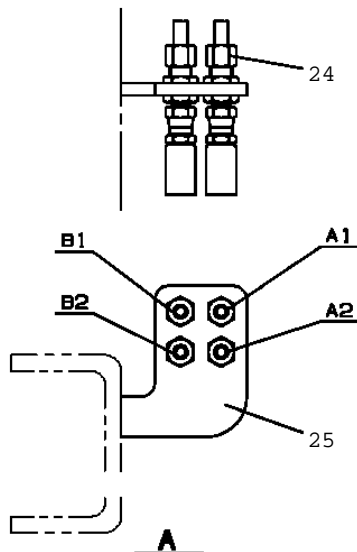
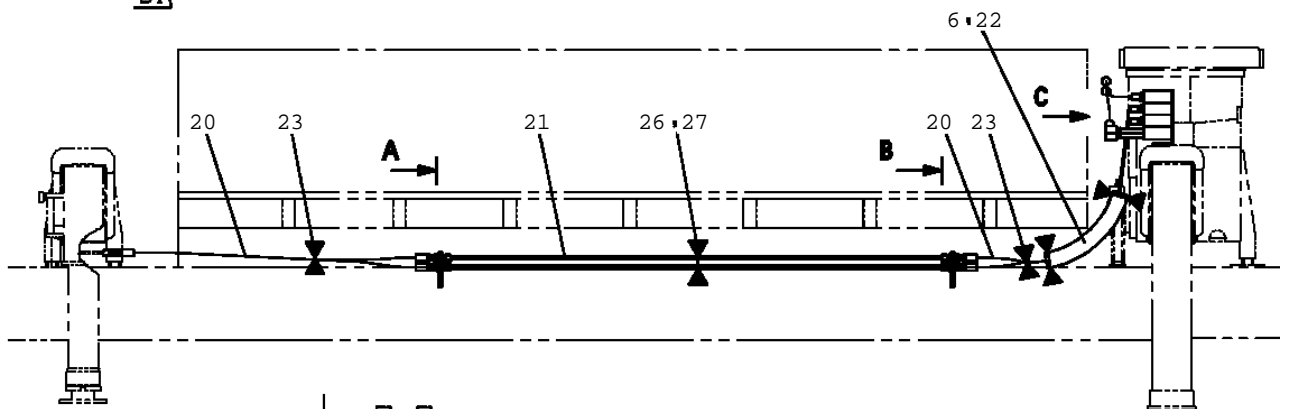
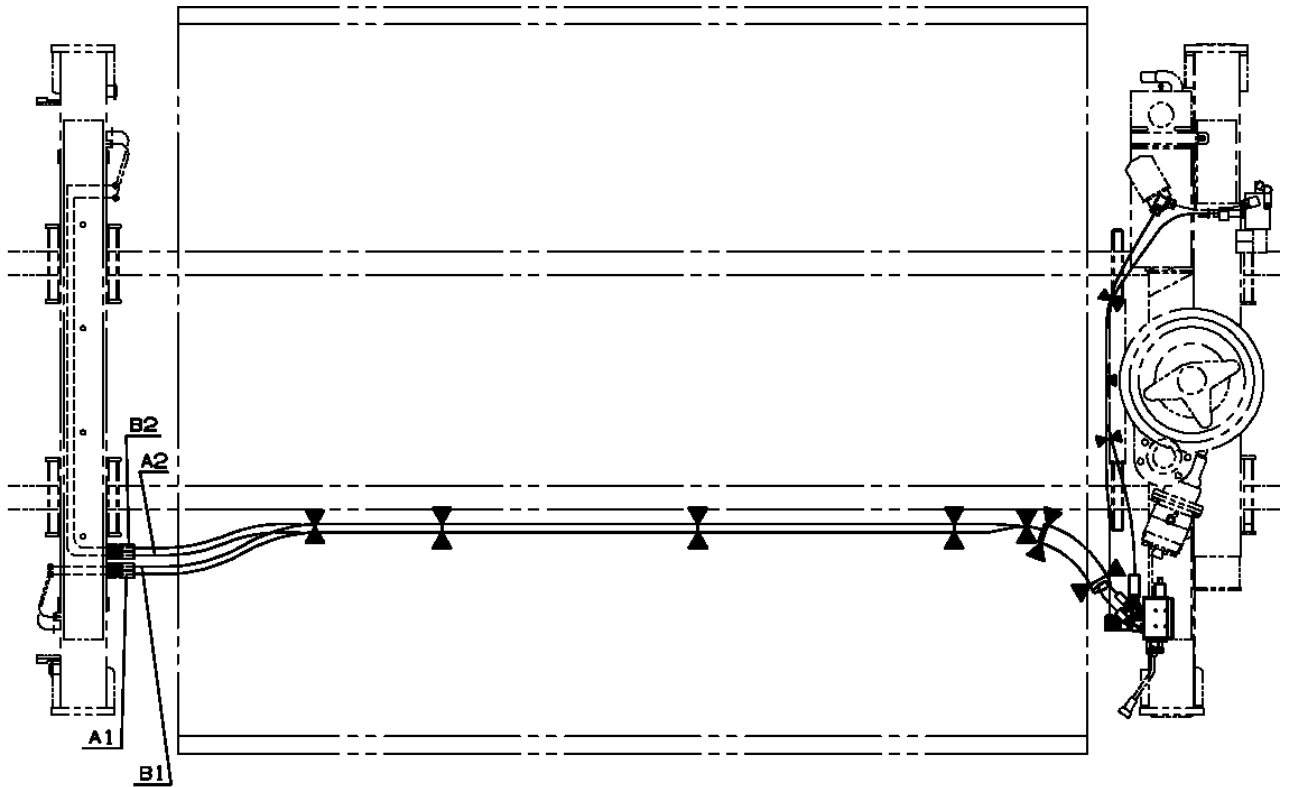
TM-ZF360 41102210360A FRAME/STD,REMOTE-RADIO CONT.,HOOK-IN
 PC1200251-01 PIPING,OUTRIGGER (REAR)



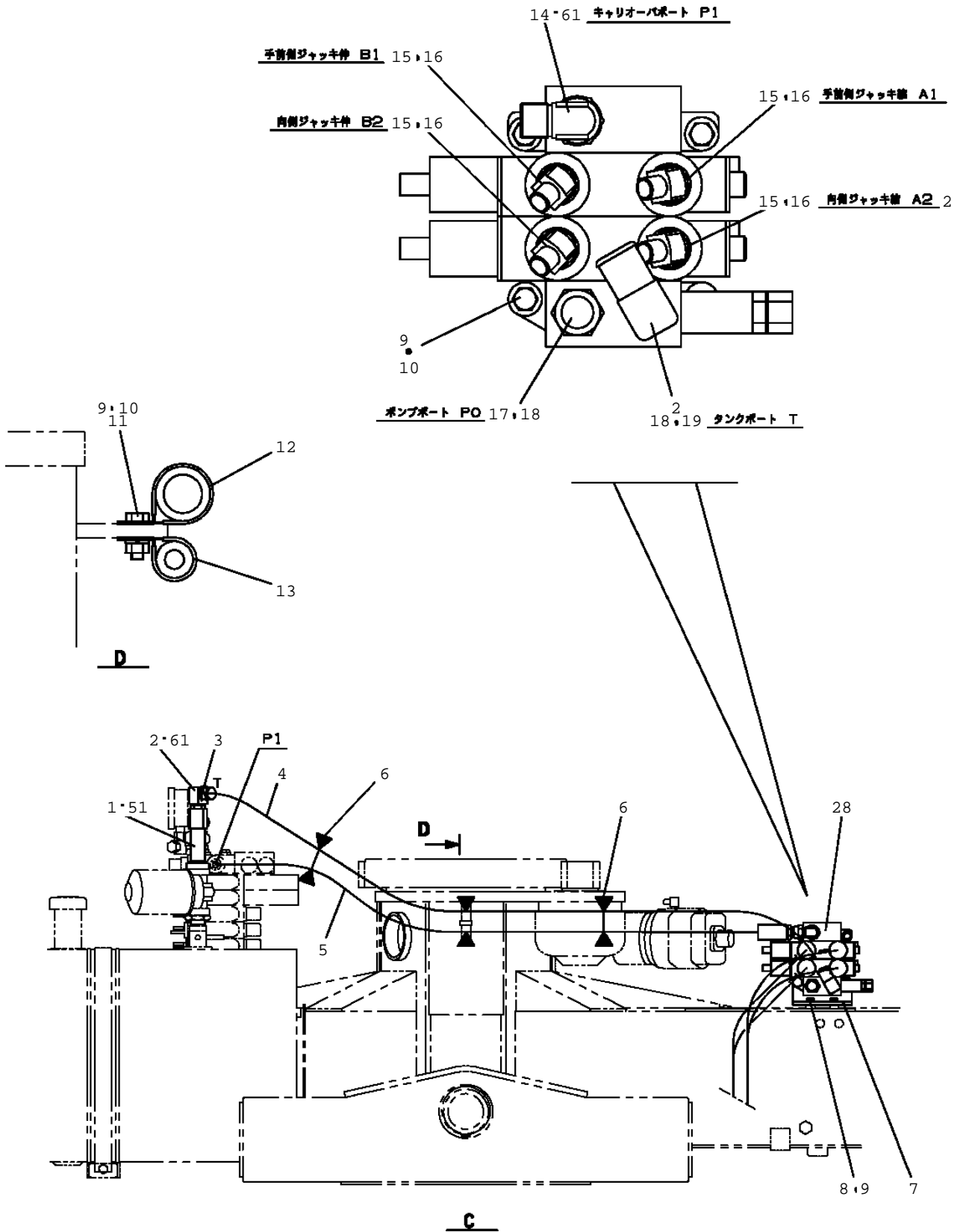
TM-ZF360 41102210360A FRAME/STD,REMOTE-RADIO CONT.,HOOK-IN

Pos No.	Parts No	Parts Name	Qty	Unit	Technical Data	Serial No (Start)
1	31642761520	JOINT ASSY	1			EP0678
	80400160203	JOINT (WITH O-RING)	1			
2	80400160182	JOINT (WITH O-RING)	2			
3	91803600400	CLIP	2		D=27-40	
4	37002511460	HOSE	1		L=1520	
5	37002439750	HOSE <L=1625.	1			
6	91810132530	FASTENER	3			
7	80481403020	JOINT	4			
8	91002801400	O-RING	4		1B P14	
9	80430620800	JOINT	1			
10	36645340000	VALVE,REMOTE CONTROL	1			
11	37000924110	JOINT	1		S,G1/2-G1/2	
12	91002801800	O-RING	2		1B P18	
13	37000924120	JOINT	1			
14	90201780800	NUT	4		M8	
15	90302040801	WASHER,SPRING	9		8	
16	31611493100	SUPPORT	1			
17	90171108014	BOLT	4		M8X14	
18	37002417350	HOSE	4		L=1060	
19	90101208025	BOLT	1		M8X25	
20	90201200800	NUT	1		M8	
21	37000604210	CLAMP	1		D=36	
22	82100002016	CLAMP	1		WR25	
23	80320410020	FITTING	4			
24	37000560350	SUPPORT	1			
25	31642991100	CLAMP ASSY	1			
26	37000713290	CLAMP ASSY	2			
27	37000300720	SLEEVE	12		12-10	
28	37000702280	CLAMP ASSY	2			
29	31642991020	PIPE	1			
30	31642991010	PIPE	1			
31	81408000130	PIPE,STEEL	24	M	10X1.8T	
32	80301140080	FITTING	4			
33	80303190080	FITTING,ELBOW	2			
54	91002802900	O-RING	1		1B P29	
61	91002801800	O-RING	3		1B P18	

TM-ZF360 41102210360A FRAME/STD,REMOTE-RADIO CONT.,HOOK-IN
 PC1200452-00 PIPING,OUTRIGGER



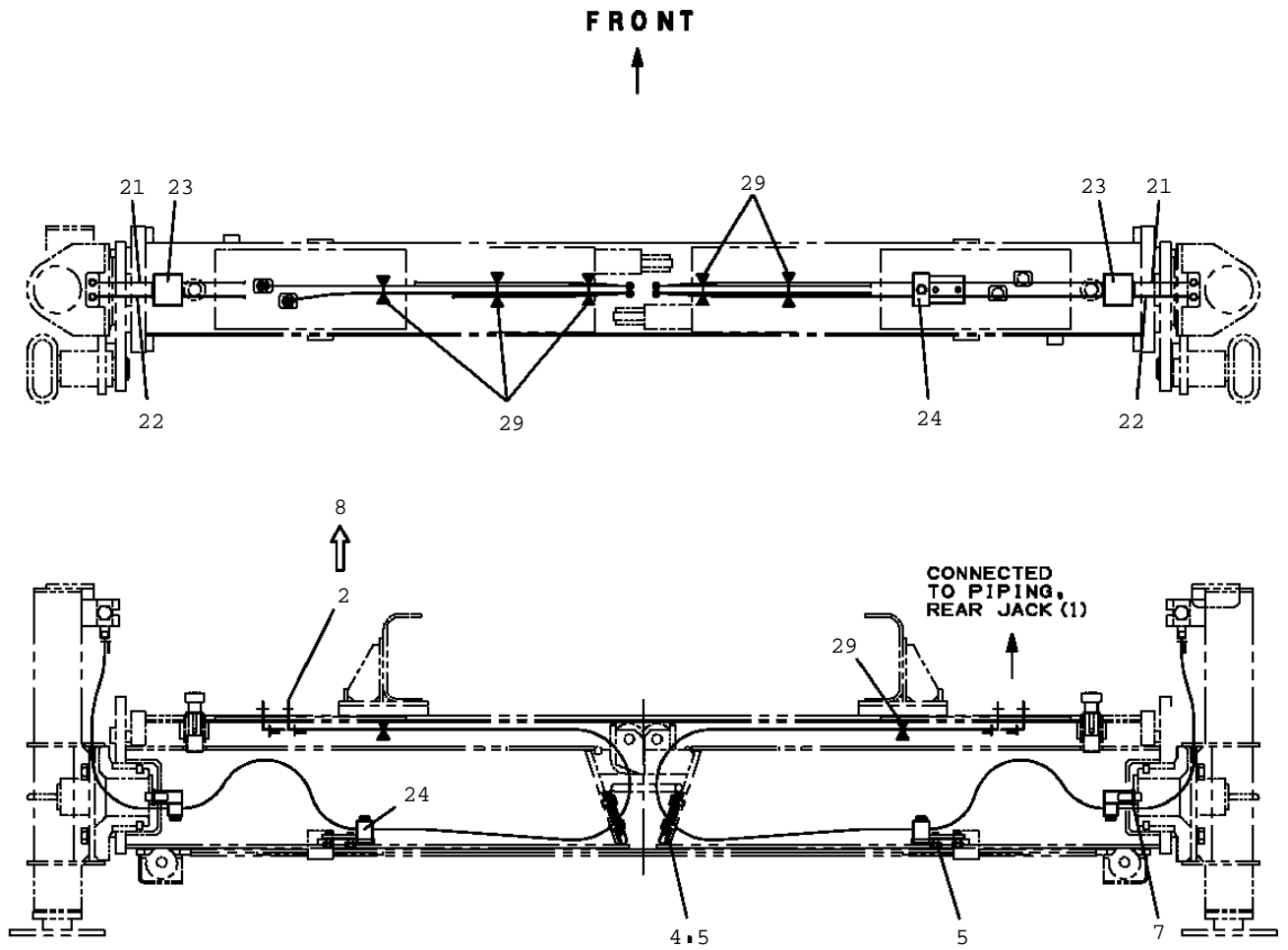
TM-ZF360 41102210360A FRAME/STD,REMOTE-RADIO CONT.,HOOK-IN
 PC1200452-00 PIPING,OUTRIGGER



TM-ZF360 41102210360A FRAME/STD,REMOTE-RADIO CONT.,HOOK-IN

Pos No.	Parts No	Parts Name	Qty	Unit	Technical Data	S
1	80400160203	JOINT (WITH O-RING)	1			
2	80400160182	JOINT (WITH O-RING)	2			
3	91803600400	CLIP	2		D=27-40	
4	37002511460	HOSE	1		L=1520	
5	37002439750	HOSE <L=1625.	1			
6	91810130270	FASTENER	4			
7	31612423100	SUPPORT	1			
8	90171108014	BOLT	4		M8X14	
9	90302040801	WASHER,SPRING	8		8	
10	90101208025	BOLT	4		M8X25	
11	90201200800	NUT	1		M8	
12	37000604210	CLAMP	1		D=36	
13	82100002016	CLAMP	1		WR25	
14	80430620800	JOINT	1			
15	80481403020	JOINT	4			
16	91002801400	O-RING	4		1B P14	
17	37000924120	JOINT	1			
18	91002801800	O-RING	2		1B P18	
19	37000924110	JOINT	1		S,G1/2-G1/2	
20	37002417350	HOSE	8		L=1060	
21	81408000120	PIPE,STEEL	5	M	10X1.5T	
22	31642951100	COVER	1			
23	31642991100	CLAMP ASSY	2			
24	80320410020	FITTING	8			
25	37000560350	SUPPORT	2			
26	37000713290	CLAMP ASSY	1			
27	37000300720	SLEEVE	4		12-10	
28	36635620000	VALVE,MANUAL CONTROL (REAR OUTRIGGER)	1			
51	91002802900	O-RING	1		1B P29	
61	91002801800	O-RING	3		1B P18	

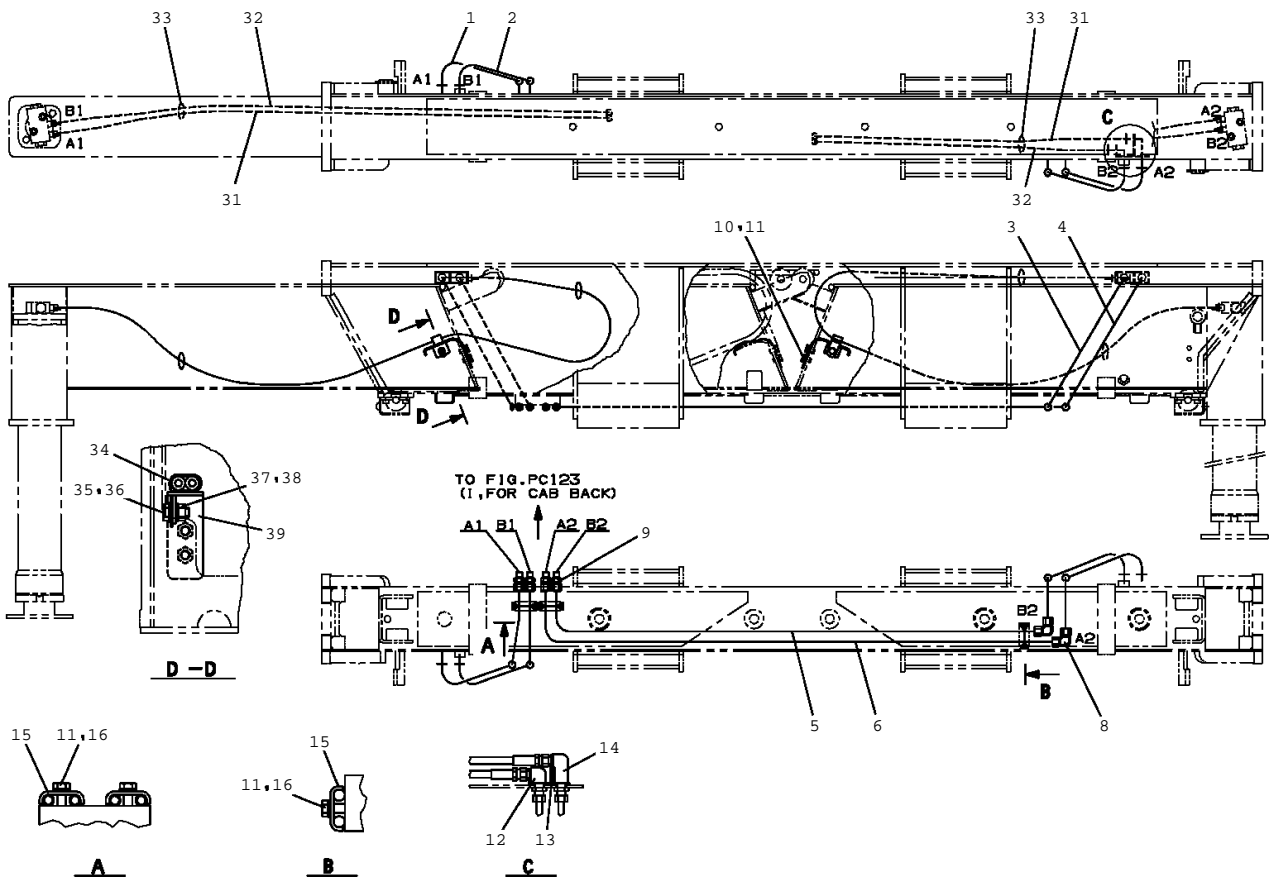
TM-ZF360 41102210360A FRAME/STD,REMOTE-RADIO CONT.,HOOK-IN
PC1230021-03 PIPING,REAR JACK (2,ROTARY)



TM-ZF360 41102210360A FRAME/STD,REMOTE-RADIO CONT.,HOOK-IN

Pos No.	Parts No	Parts Name	Qty	Unit	Technical Data	Serial No (Start)	Serial :
4	31642730100	SUPPORT	2				
5	90186208014	BOLT,FLANGE	12		M8X14		
7	90303071201	WASHER,PLAIN	2		12		
8	37000924770	JOINT	4				
21	37002417360	HOSE	2		L=1800		
22	37002450860	HOSE	2		L=1760		
23	31642730300	CLAMP ASSY	2				
24	31642730200	CLAMP ASSY	2				
29	91810130240	FASTENER	6				

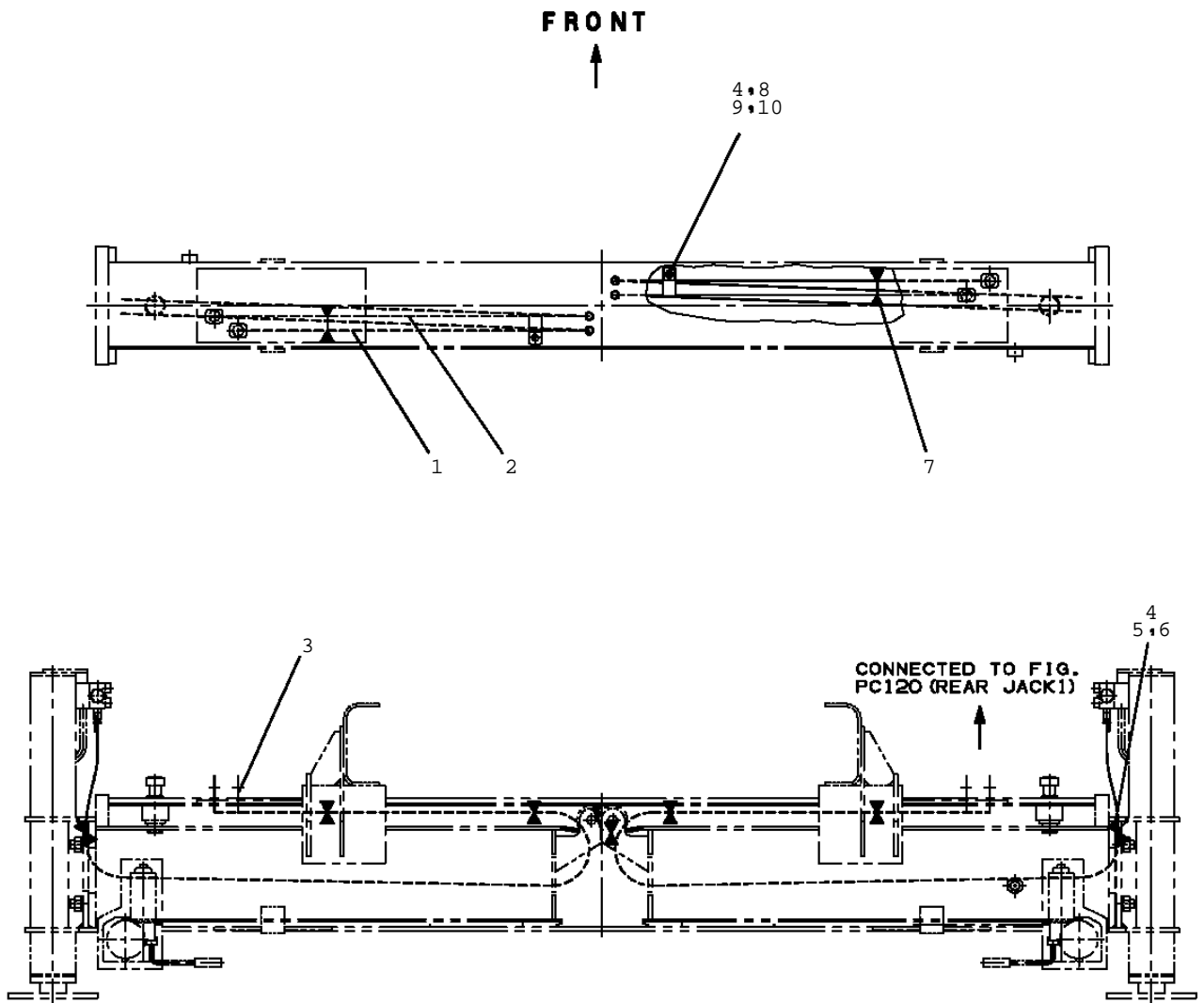
TM-ZF360 41102210360A FRAME/STD,REMOTE-RADIO CONT.,HOOK-IN
 PC1230027-00 PIPING,REAR JACK (2,FOR CAB BACK)



TM-ZF360 41102210360A FRAME/STD,REMOTE-RADIO CONT.,HOOK-IN

Pos No.	Parts No	Parts Name	Qty	Unit	Technical Data	Serial No (Start)	Serial
1	81408000100	PIPE,STEEL	1	M	10X1.2T		
2	81408000100	PIPE,STEEL	1	M	10X1.2T		
3	81408000100	PIPE,STEEL	1	M	10X1.2T		
4	81408000100	PIPE,STEEL	1	M	10X1.2T		
5	81408000100	PIPE,STEEL	2	M	10X1.2T		
6	81408000100	PIPE,STEEL	2	M	10X1.2T		
8	80303190080	FITTING, ELBOW	2				
9	80320510020	FITTING	4				
10	90101208014	BOLT	4		M8X14		
11	90302040801	WASHER, SPRING	7		8		
12	37000924770	JOINT	2				
13	31642591300	SUPPORT	2				
14	37000922410	JOINT	2				
15	37000602910	CLAMP	3				
16	90101208025	BOLT	3		M8X25		
31	37002449380	HOSE	2		L=1800		
32	37002449400	HOSE	2		L=1760		
33	91810130240	FASTENER	4				
34	31642591240	CLAMP	2		12X2		
35	90101208018	BOLT	2		M8X18		
36	90303070801	WASHER, PLAIN	2		8		
37	90302040801	WASHER, SPRING	2		8		
38	90201200800	NUT	2		M8		
39	31642851530	SUPPORT	2				

TM-ZF360 41102210360A FRAME/STD,REMOTE-RADIO CONT.,HOOK-IN
PC1230029-00 PIPING,REAR JACK (2)

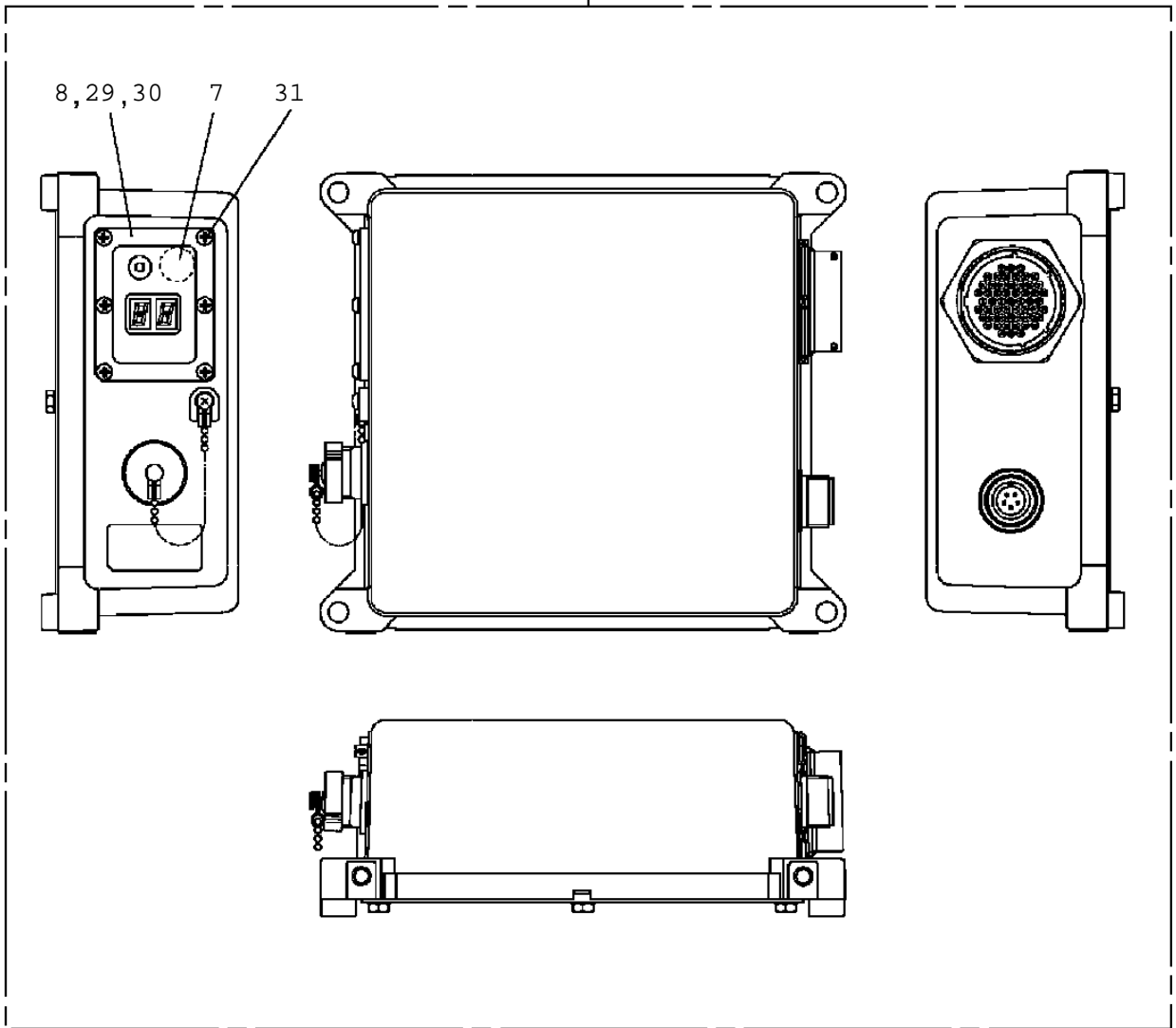


TM-ZF360 41102210360A FRAME/STD,REMOTE-RADIO CONT.,HOOK-IN

Pos No.	Parts No	Parts Name	Qty	Unit	Technical Data	Serial No (Start)	Serial
1	37002417360	HOSE	2		L=1800		
2	37002436720	HOSE	2		L=1850		
3	37000924770	JOINT	4				
4	82100002039	CLAMP	4				
5	90101208016	BOLT	2		M8X16		
6	90302040801	WASHER, SPRING	2		8		
7	91810130240	FASTENER	2				
8	90302040601	WASHER, SPRING	2		6		
9	80182206010	SCREW, MACHINE	2				
10	90201200600	NUT	2		M6		

TM-ZF360 41102210360A FRAME/STD,REMOTE-RADIO CONT.,HOOK-IN
PC5410006-03 CONTROL UNIT

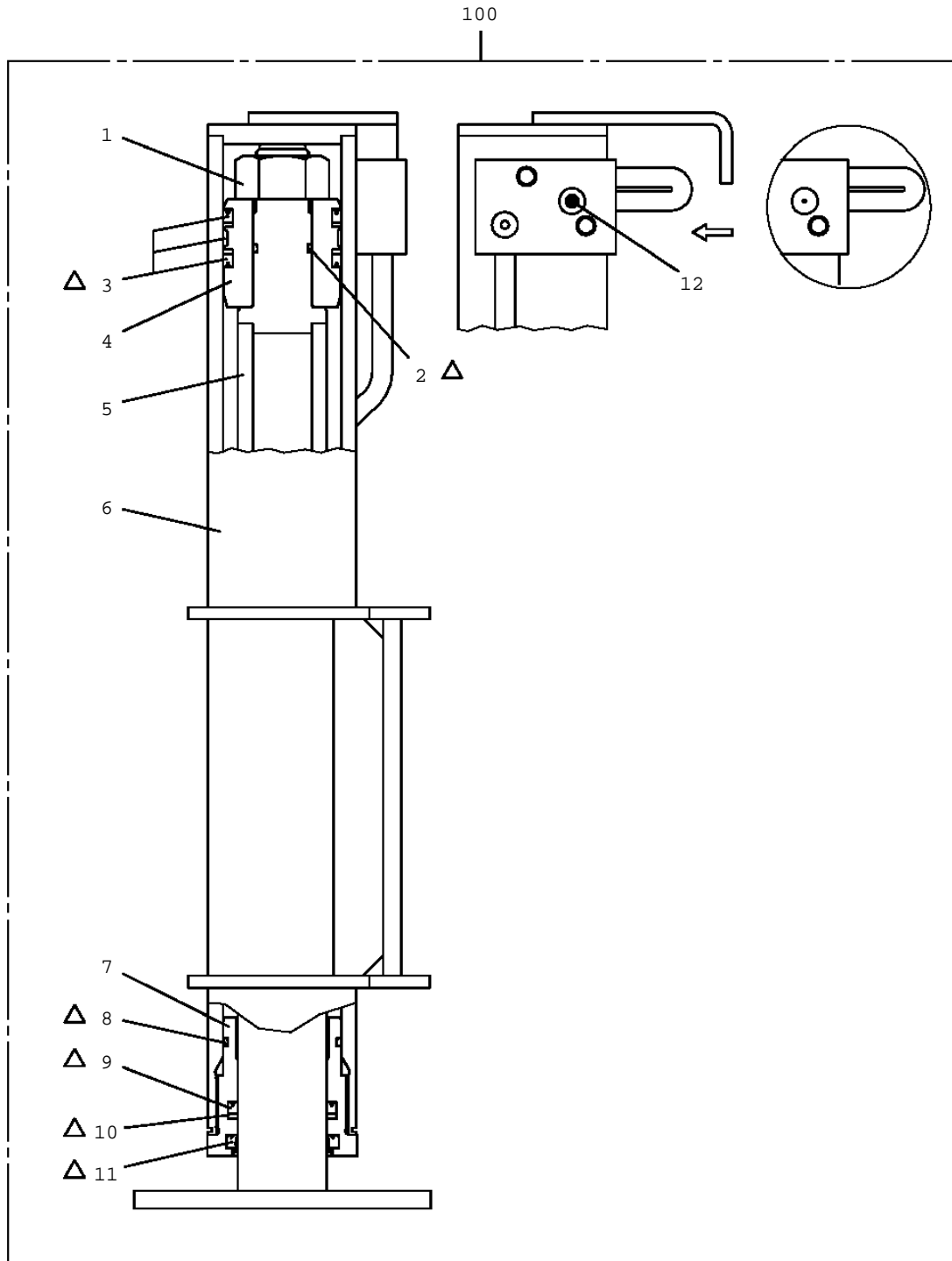
900



TM-ZF360 41102210360A FRAME/STD,REMOTE-RADIO CONT.,HOOK-IN

Pos No.	Parts No	Parts Name	Qty	Unit	Technical Data	Serial No (Start)	Serial :
7	36804917060	STEM	1				
8	36804917640	PANEL	1				
29	36804917730	GASKET	1				
30	36804917740	FRAME	1				
31	36804917750	SCREW(3X8)	6				
900	36804911001	CONTROL UNIT	1				

TM-ZF360 41102210360A FRAME/STD,REMOTE-RADIO CONT.,HOOK-IN
PC6390046-01 CYLINDER ASSY,JACK

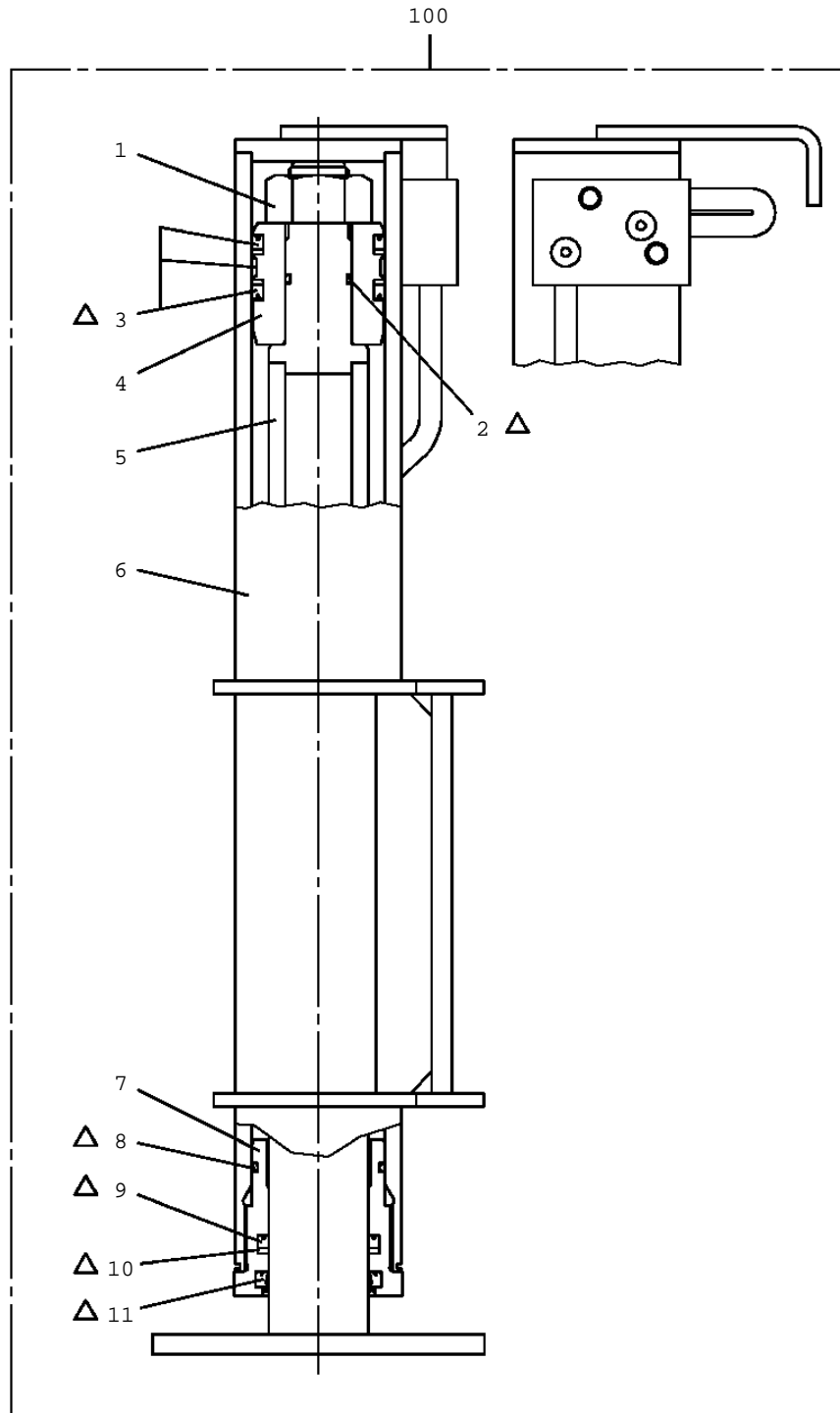


Δ:PACKING SET KEY NO.50 (KEY NO.2,3,8,9,10,11)

TM-ZF360 41102210360A FRAME/STD,REMOTE-RADIO CONT.,HOOK-IN

Pos No.	Parts No	Parts Name	Qty	Unit	Technical Data	Serial N
1	37001601420	NUT	1		M27X2	
2	91002902500	O-RING	1		1B G25	
3	91350206000	BEARING,PLAIN (WITH PACKINGX2)	1			
4	36013823000	PISTON	1			
5	36033162000	ROD	1			
6	36034731000	CYLINDER	1			
	36034731001	CYLINDER	1			KA6651
7	36013823200	COVER,ROD	1			
8	91002905500	O-RING	1		1B G55	
9	91694004500	PACKING	1			
10	91410204502	RING,BACKUP	1			
11	91660004501	SEAL,DUST	1			
12	42346381200	ORIFICE	1			KA6651
50	36033169910	PACKING SET	1		45X60	
100	36034730000	CYLINDER ASSY,JACK	1			

TM-ZF360 41102210360A FRAME/STD,REMOTE-RADIO CONT.,HOOK-IN
PC6390047-01 CYLINDER ASSY,JACK

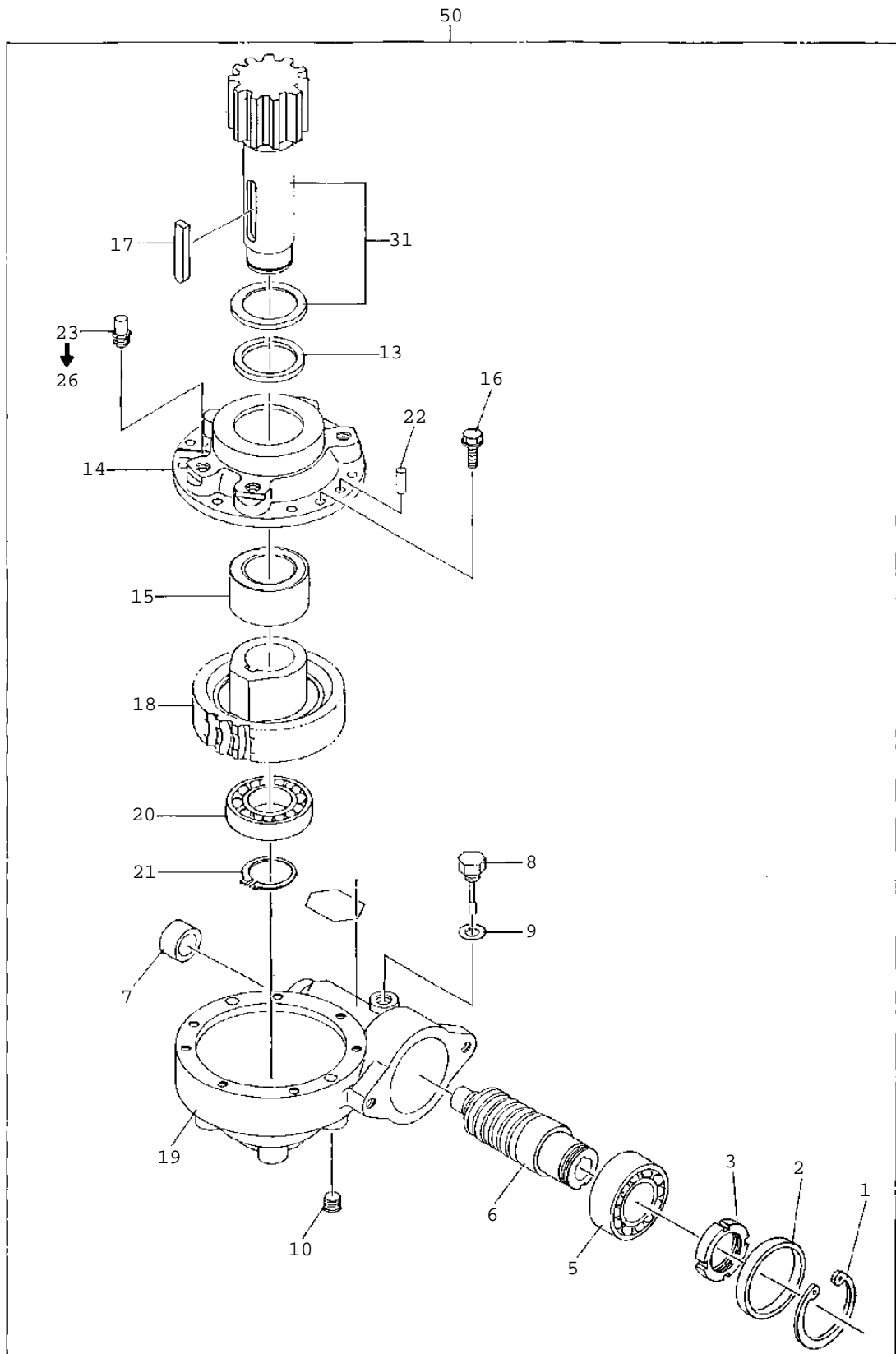


Δ:PACKING SET KEY NO.50 (KEY NO.2,3,8,9,10,11)

TM-ZF360 41102210360A FRAME/STD,REMOTE-RADIO CONT.,HOOK-IN

Pos No.	Parts No	Parts Name	Qty	Unit	Technical Data	Serial N
1	37001601420	NUT	1		M27X2	
2	91002902500	O-RING	1		1B G25	
3	91350206000	BEARING,PLAIN (WITH PACKINGX2)	1			
4	36013823000	PISTON	1			
5	36033162000	ROD	1			
6	36034731002	CYLINDER	1			
7	36013823200	COVER,ROD	1			
8	91002905500	O-RING	1		1B G55	
9	91694004500	PACKING	1			
10	91410204502	RING,BACKUP	1			
11	91660004501	SEAL,DUST	1			
50	36033169910	PACKING SET	1		45X60	
100	36034730001	CYLINDER ASSY,JACK	1			

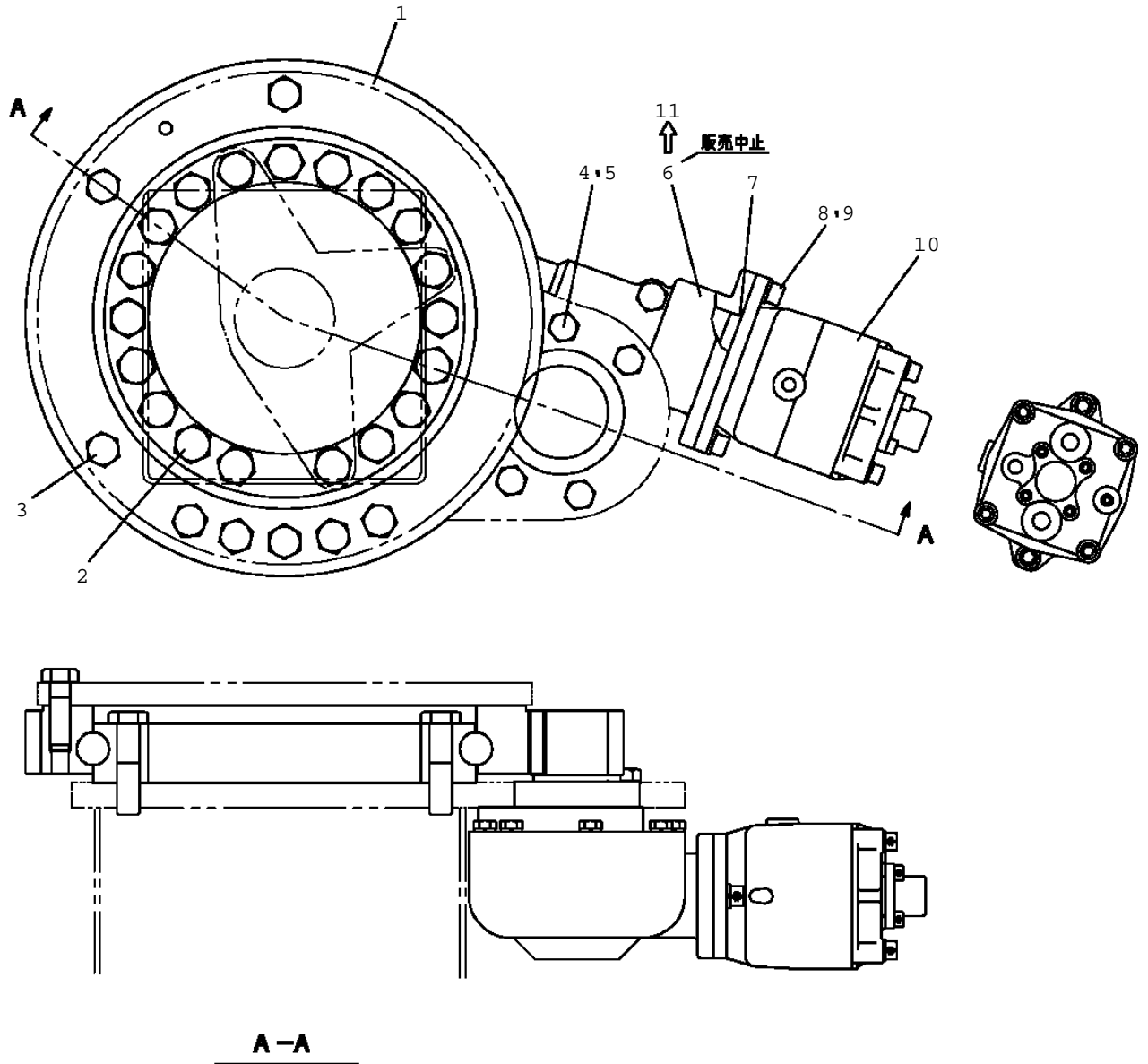
TM-ZF360 41102210360A FRAME/STD,REMOTE-RADIO CONT.,HOOK-IN
PD1010062-01 REDUCER,SWING SPEED



TM-ZF360 41102210360A FRAME/STD,REMOTE-RADIO CONT.,HOOK-IN

Pos No.	Parts No	Parts Name	Qty	Unit	Technical Data	Serial No (Start
1	80602110850	RING,RITAINING	1		R85	
2	36080755010	SPACER	1			
3	80561100090	NUT	1		AN09	
5	80500005209	BEARING,BALL	1			
6	36080755020	WORM	1			
7	36080755030	BEARING,NEEDLE	1		BK3020+IR25*30*18	
8	36080755040	GAUGE,OIL	1			
9	36080235080	WASHER,SEAL	1		M16	
10	80316090060	PLUG	1		KKT PT3/8	
13	36080015091	SEAL,OIL	1			
14	36080755060	CASE,GEAR	1			
15	80520045010	BEARING,ROLLER	1			
16	36080505110	BOLT (WITH WASHER)	9		M10X30	
17	36080505080	KEY	1			
18	36080755070	WHEEL,WORM	1			
19	36080755080	CASE,GEAR	1			
20	80500006209	BEARING,BALL	1			
21	80601110450	RING,RITAINING	1		S45	
22	36080015000	PIN	2			
26	82400000478	BREATHER	1			
31	36080755100	GEAR,SPUR	1			
50	36080750000	REDUCER,SWING SPEED	1			

TM-ZF360 41102210360A FRAME/STD,REMOTE-RADIO CONT.,HOOK-IN
PD1010089-02 REDUCER,SWING SPEED (MOUNT)

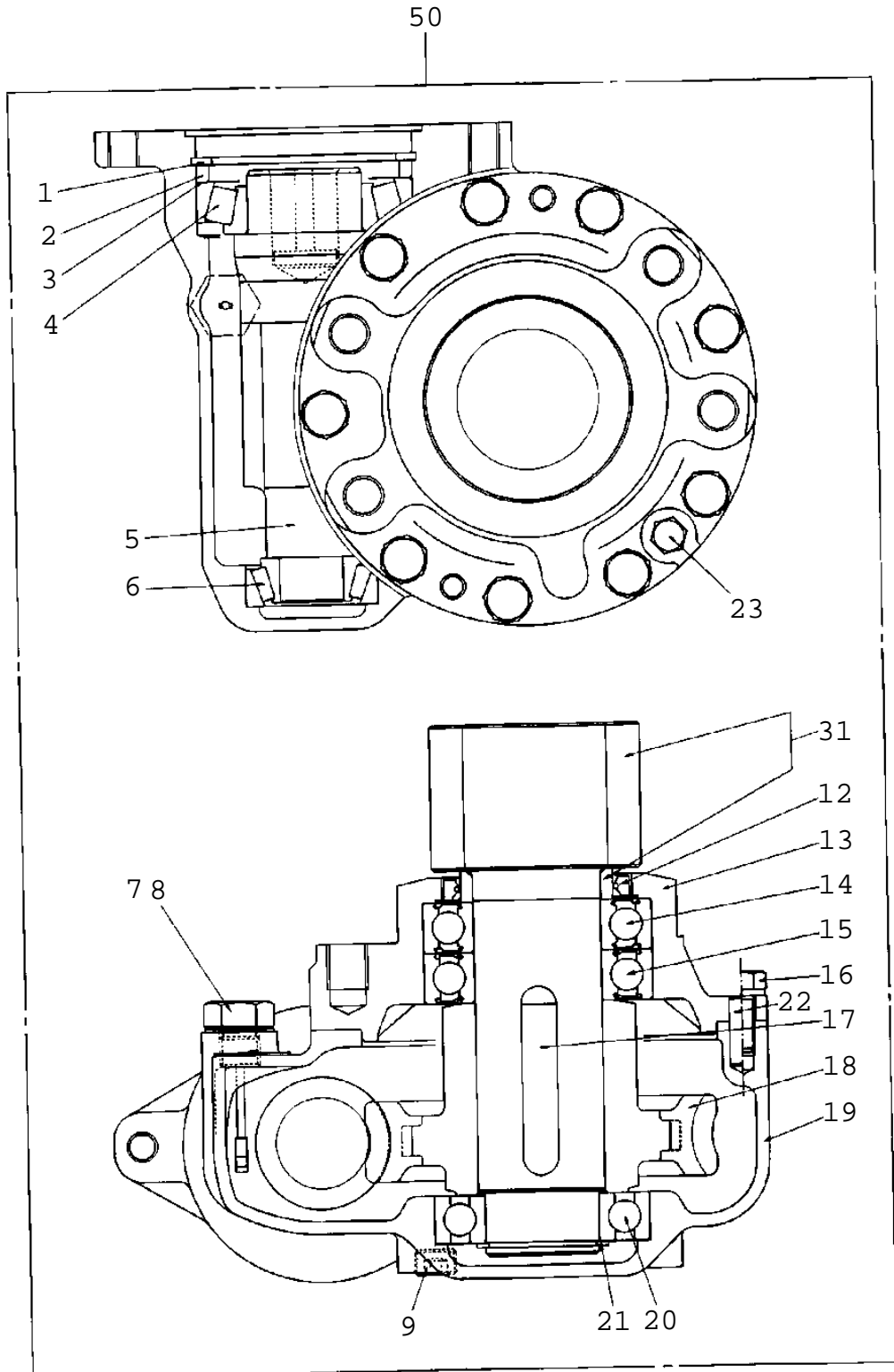


TM-ZF360 41102210360A FRAME/STD,REMOTE-RADIO CONT.,HOOK-IN

Pos No.	Parts No	Parts Name	Qty	Unit	Technical Data	Serial N
1	37002302720	BEARING, SWING (NTN)	1			EE7558
	37002303220	BEARING, SWING (IZUMI)	1			
	37002302740	BEARING, SWING (NACHI)	1			
	37002303540	BEARING, SWING (NIHON MONORACE)	1			
2	31300070010	BOLT	19		M20X80	
3	37001500560	BOLT	10		M18X55	
4	90171116040	BOLT	4		M16X40	
5	90302041601	WASHER, SPRING	4		16	
6	36080750000	REDUCER, SWING SPEED	1			
	36081320000	REDUCER, SWING SPEED	1			
7	91001208500	O-RING	1		1A G85	
8	90172112035	BOLT, HEXAGON SOCKET	2		M12X35	
9	90302041201	WASHER, SPRING	2		12	
10	36662380000	MOTOR, HYDRAULIC (SWING)	1			

TM-ZF360 41102210360A FRAME/STD,REMOTE-RADIO CONT.,HOOK-IN
PD1010133-00 REDUCER,SWING SPEED

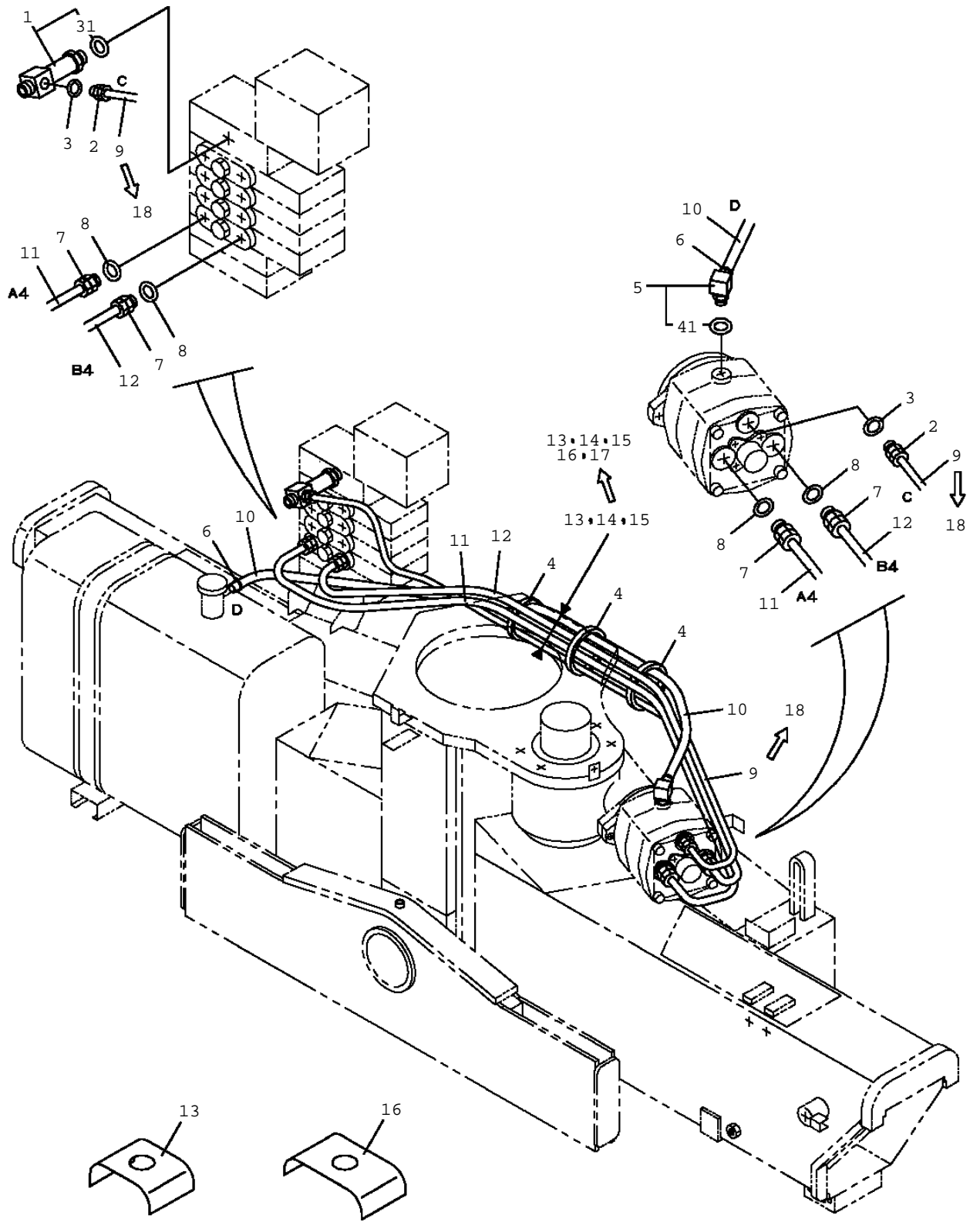
Assembly Name REDUCER, SWING SPEED



TM-ZF360 41102210360A FRAME/STD,REMOTE-RADIO CONT.,HOOK-IN

Pos No.	Parts No	Parts Name	Qty	Unit	Technical Data
1	36081325090	RING,SNAP	1		
2	36081325010	SPACER	1		
3	36081325080	SHIM SET	1		
4	36081325110	BEARING,TAPER ROLLER	1		
5	36081325020	WORM	1		
6	36081325120	BEARING,TAPER ROLLER	1		
7	36080755040	GAUGE,OIL	1		
8	36080235080	WASHER,SEAL	1		M16
9	80316090060	PLUG	1		KKT PT3/8
12	91280431931	SEAL,OIL	1		
13	36081325050	CASE,GEAR	1		
14	36081325130	BEARING,BALL(METAL SHIELD TYPE 6210ZZC3)	1		
15	36081325140	BEARING,BALL (RUBBER SEAL TYPE 6210LLU)	1		
16	36080495050	BOLT,SEMS (M10X25,WITH WASHER)	9		
17	36080505080	KEY	1		
18	36081325060	WHEEL,WORM	1		
19	36081325070	CASE,GEAR	1		
20	80500006209	BEARING,BALL	1		
21	80601110450	RING,RITAINING	1		S45
22	36080015000	PIN	2		
23	82400000478	BREATHER	1		
31	36081325500	GEAR,SPUR	1		
50	36081320000	REDUCER,SWING SPEED	1		

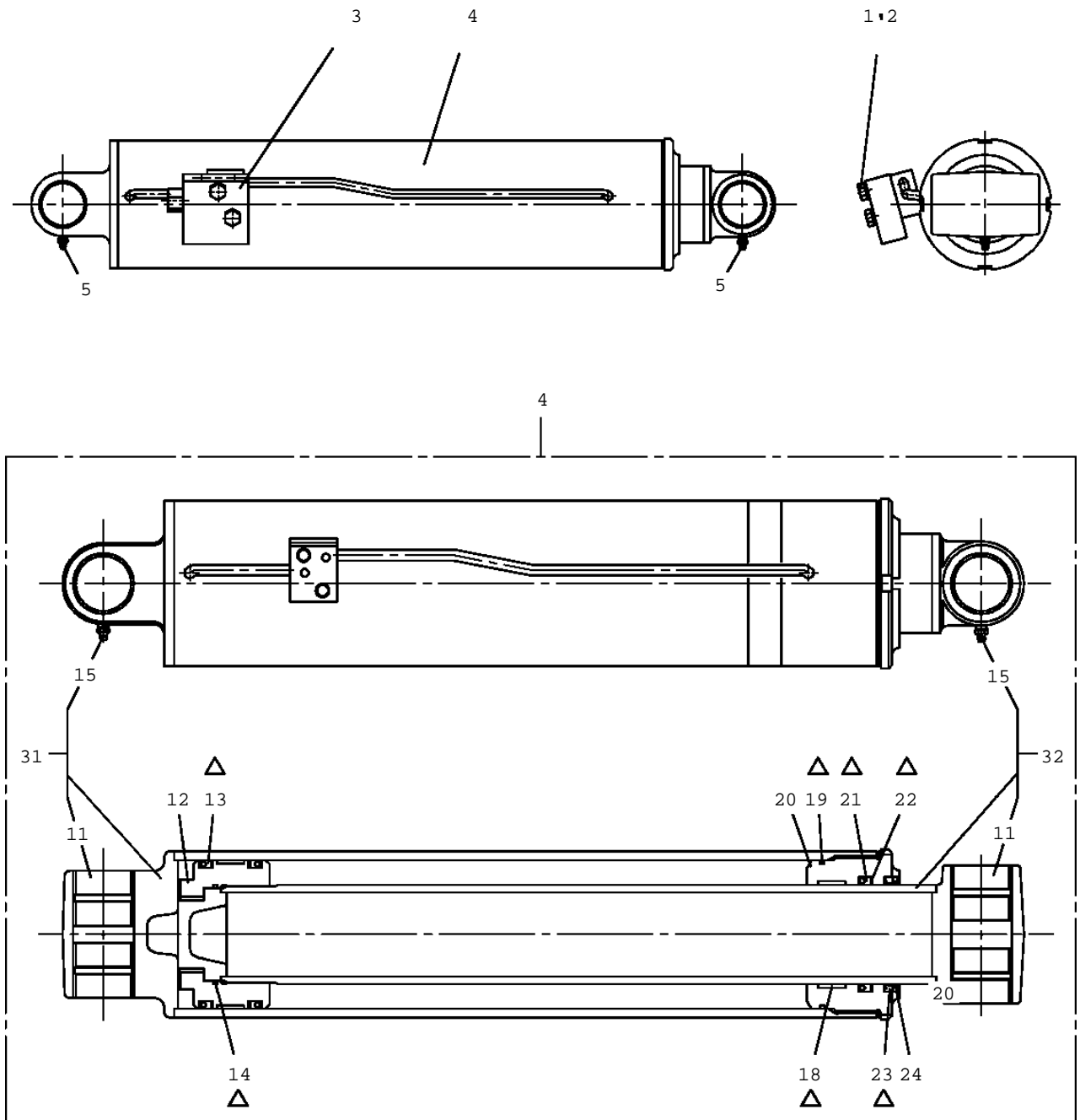
TM-ZF360 41102210360A FRAME/STD,REMOTE-RADIO CONT.,HOOK-IN
PD1200128-00 PIPING,SWING



TM-ZF360 41102210360A FRAME/STD,REMOTE-RADIO CONT.,HOOK-IN

Pos No.	Parts No	Parts Name	Qty	Unit	Technical Data	Serial No (Start)
1	80400160181	JOINT	1			
2	80302120040	FITTING	2		POA08PF1/4	
3	91002801100	O-RING	2		1B P11	
4	91810130240	FASTENER	3			
5	80400160190	JOINT (WITH O-RING)	1			
6	91803880070	CLIP	2		D=13.1-16.2	
7	80302120080	FITTING	4		POA10PF3/8	
8	91002801400	O-RING	4		1B P14	
9	81408000081	PIPE,STEEL	2	M	8X1.2T	
10	37002512690	HOSE	1			
11	81408000100	PIPE,STEEL	2	M	10X1.2T	
12	81408000100	PIPE,STEEL	2	M	10X1.2T	
13	37000604120	SUPPORT	1			
	37000602910	CLAMP	1			EE7997
14	90101208012	BOLT	1		M8X12	
	90101208022	BOLT	2		M8X22	EE7997
15	90302040801	WASHER,SPRING	1		8	
	90302040801	WASHER,SPRING	2		8	EE7997
16	37000603910	CLAMP	1			EE7997
17	37000300710	SLEEVE	1		12-8	EE7997
18	81408000081	PIPE,STEEL	2	M	8X1.2T	EE7997
31	91002801800	O-RING	1		1B P18	
41	91002801100	O-RING	1		1B P11	

TM-ZF360 41102210360A FRAME/STD,REMOTE-RADIO CONT.,HOOK-IN
 PE1010183-02 CYLINDER,ELEVATING



Δ:PACKING SET KEY NO. 40 (KEY NO.13,14,18,19,21,22,23)

TM-ZF360 41102210360A FRAME/STD,REMOTE-RADIO CONT.,HOOK-IN

Pos No.	Parts No	Parts Name	Qty	Unit	Technical Data	Serial
1	90171110045	BOLT	2		M10X45	
	90171110040	BOLT	2		M10X40	EE6272
2	90302041001	WASHER, SPRING	2		10	
3	36604060000	VALVE, COUNTERBALANCE (ELEVATING)	1			
4	36023760000	CYLINDER, ELEVATING	1			
5	82400000459	CAP	2			
11	37000402780	BEARING, PLAIN (NDC)	4			
12	36023765300	PISTON	1			
13	91350213500	BEARING, PLAIN (WITH PACKINGX2)	1			
14	91002908500	O-RING	1		1B G85	
15	82456101000	NIPPLE, GREASE	2		A-PT1/8	
18	91301109000	BEARING, PLAIN	1			
19	91002913000	O-RING	1		1B G130	
20	36023765400	COVER, ROD	1			
21	91694009000	PACKING	1			
22	91410209000	RING, BACKUP	1			
23	91660009000	SEAL, DUST	1			
24	80622000900	RING, RITAINING	1		SP90	
31	36023765010	CYLINDER ASSY	1			
32	36023765020	ROD ASSY	1			
40	36023769910	PACKING SET	1		90X135	

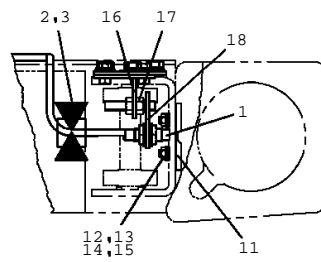
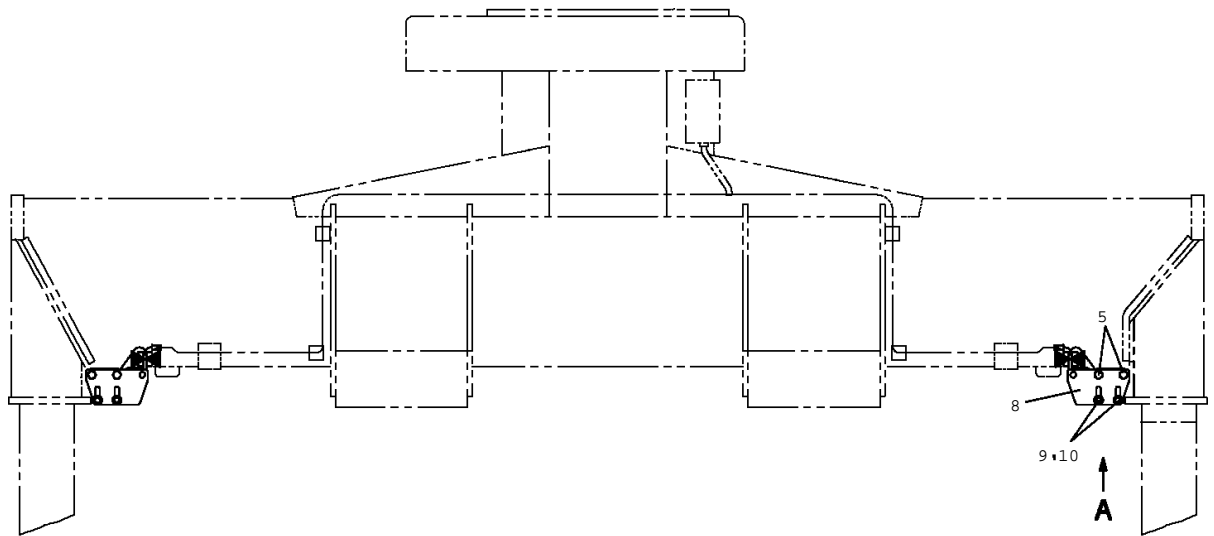
TM-ZF360 41102210360A FRAME/STD,REMOTE-RADIO CONT.,HOOK-IN
PE5020094-00 ELEC.ASSY

指示番号 KEY NO.	ハイセンASSY (アウトリカ [*] カクノウワスレツイカハ [*] ーツ, オンセイツキ) ELEC.ASSY
1	ハイセンASSY (クレーンフ [*] /スイッチ) ELEC.ASSY (CRANE/SWITCH)
2	ハイセンASSY (クレーンフ [*] /ハーネス) ELEC.ASSY (CRANE/HARNESS)
3	ハイセンASSY (カソウシャリヨウフ [*]) ELEC.ASSY (CARRIER)
5	プレートASSY, ネーム PLATE ASSY, NAME

TM-ZF360 41102210360A FRAME/STD,REMOTE-RADIO CONT.,HOOK-IN

Pos No.	Parts No	Parts Name	Qty	Unit	Technical Data	Serial No (
1	(*****)	ELEC.ASSY (CRANE/SWITCH)	1			
2	(*****)	ELEC.ASSY (CRANE/HARNESS)	1			
3	(*****)	ELEC.ASSY (CARRIER)	1			
5	(*****)	PLATE ASSY,NAME	1			

TM-ZF360 41102210360A FRAME/STD,REMOTE-RADIO CONT.,HOOK-IN
PE5020095-00 ELEC.ASSY (CRANE/SWITCH)

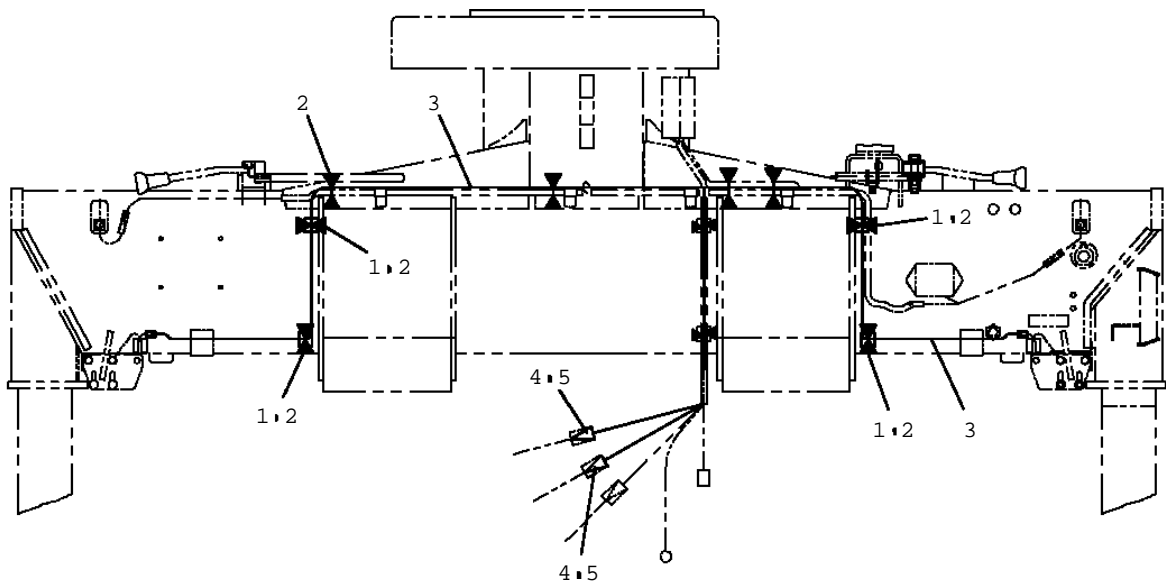


A

TM-ZF360 41102210360A FRAME/STD,REMOTE-RADIO CONT.,HOOK-IN

Pos No.	Parts No	Parts Name	Qty	Unit	Technical Data	Serial No (Start)	Serial
1	82108501070	SWITCH	2				
2	91850310405	CLAMP (BLACK)	4				
3	91810130240	FASTENER	4				
5	90186208016	BOLT, FLANGE	4		M8X16		
8	31475381200	SUPPORT	2				
9	90186206016	BOLT, FLANGE	4		M6X16		
10	37000526010	PLATE	4				
11	31475351800	PLATE	2				
12	80185306020	SCREW, MACHINE	4				
13	90302040601	WASHER, SPRING	4		6		
14	90303070601	WASHER, PLAIN	4		6		
15	90201200600	NUT	4		M6		
16	31475351200	SUPPORT	2				
17	90201200800	NUT	4		M8		
18	31475351400	SUPPORT	2				

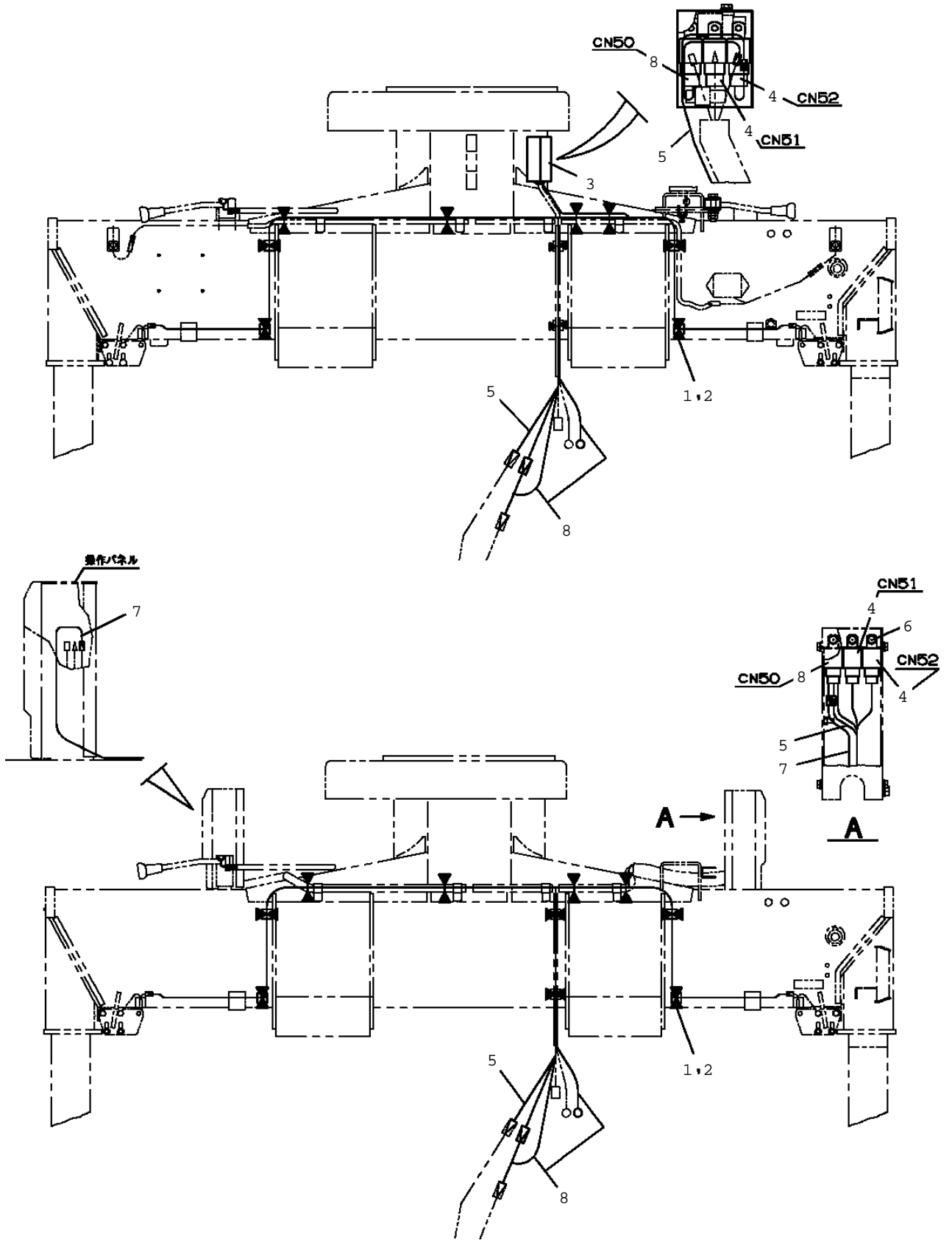
TM-ZF360 41102210360A FRAME/STD,REMOTE-RADIO CONT.,HOOK-IN
PE5020096-00 ELEC.ASSY (CRANE/HARNESS)



TM-ZF360 41102210360A FRAME/STD,REMOTE-RADIO CONT.,HOOK-IN

Pos No.	Parts No	Parts Name	Qty	Unit	Technical Data	Serial No (Start)	Serial
1	91850310405	CLAMP (BLACK)	4				
2	91810130240	FASTENER	10				
3	31476361100	HARNESS (RED)	2		L=2000		
4	82100000192	TERMINAL	2				
5	82100000182	INSULATOR	2				

TM-ZF360 41102210360A FRAME/STD,REMOTE-RADIO CONT.,HOOK-IN
 PE5020097-00 ELEC.ASSY (CRANE/HARNESS)

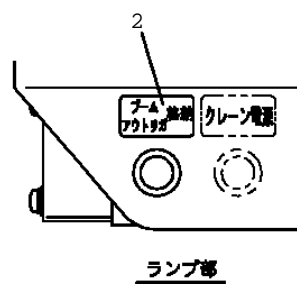
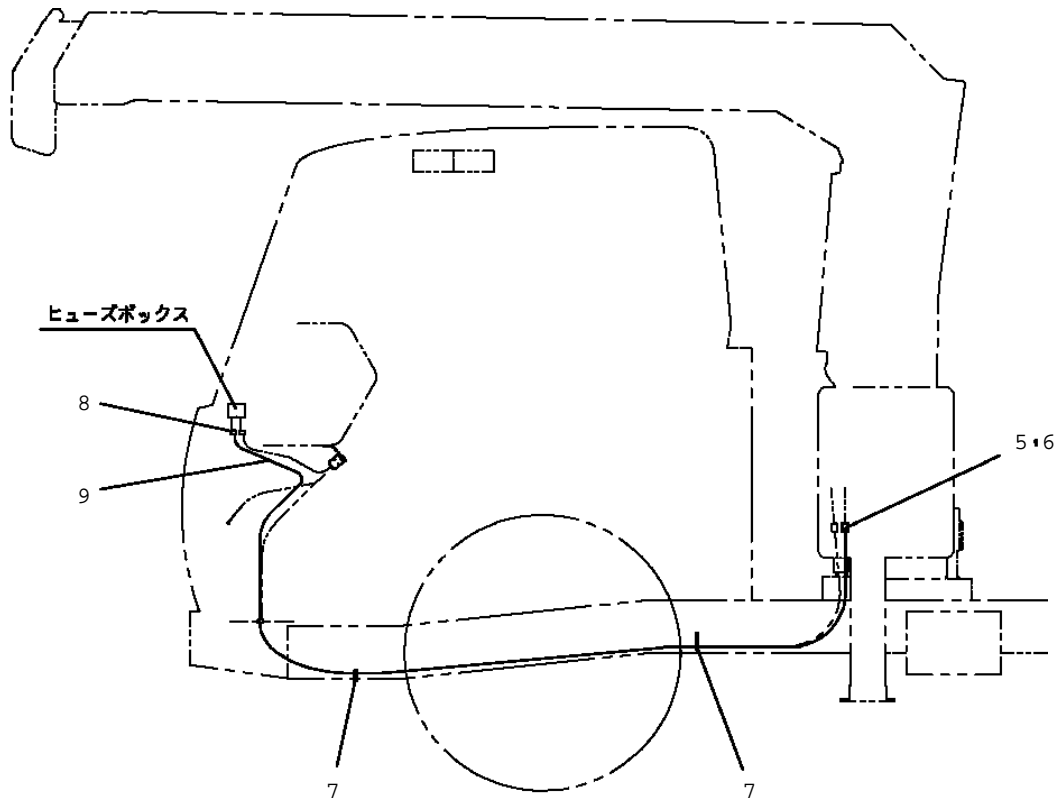


操作パネルがある場合 (フックイン, 及びラジコン仕様)

TM-ZF360 41102210360A FRAME/STD,REMOTE-RADIO CONT.,HOOK-IN

Pos No.	Parts No	Parts Name	Qty	Unit	Technical Data	Serial No (St
1	82401601002	CLAMP	4			
2	91810130240	FASTENER	10			
3	31360201600	COVER	1			
4	82100002596	RELAY	2			
5	31475371100	HARNESS	1			
6	80192486010	SCREW,MACHINE	3		M6X10	
7	31473460300	HARNESS (RED)	1		L=1600	
8	31380291200	RELAY ASSY (WITH HARNESS)	1			

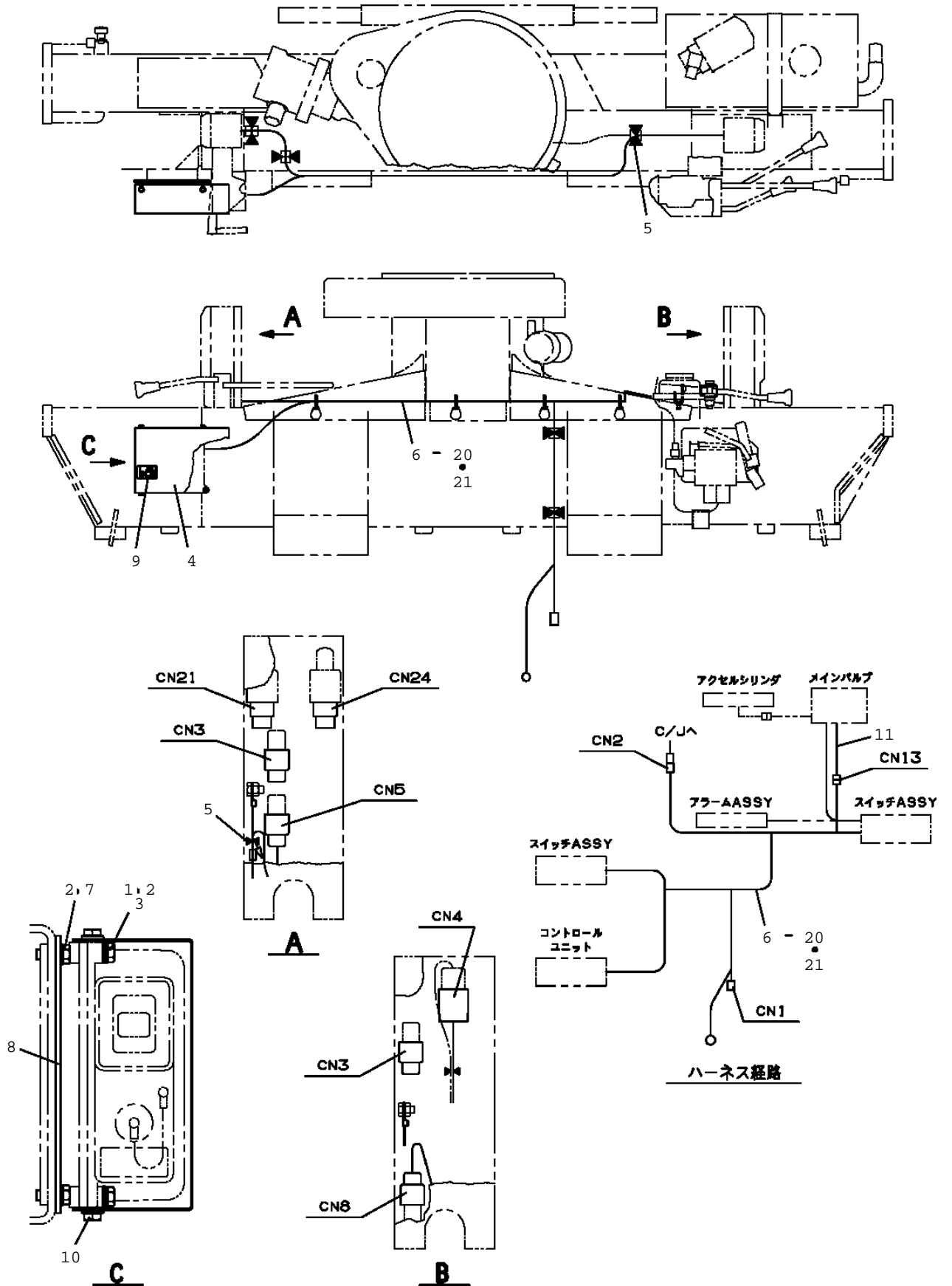
TM-ZF360 41102210360A FRAME/STD,REMOTE-RADIO CONT.,HOOK-IN
PE5020098-00 ELEC.ASSY (CARRIER)



TM-ZF360 41102210360A FRAME/STD,REMOTE-RADIO CONT.,HOOK-IN

Pos No.	Parts No	Parts Name	Qty	Unit	Technical Data	Serial No (Sta
2	31475352100	PLATE, NAME	1			
5	82100000191	TERMINAL	1			
6	82100000183	INSULATOR	1			
7	91810130240	FASTENER	4			
8	82100002673	CONNECTOR (0.5-0.85, RED)	1			
9	31380292800	HARNESS	1			

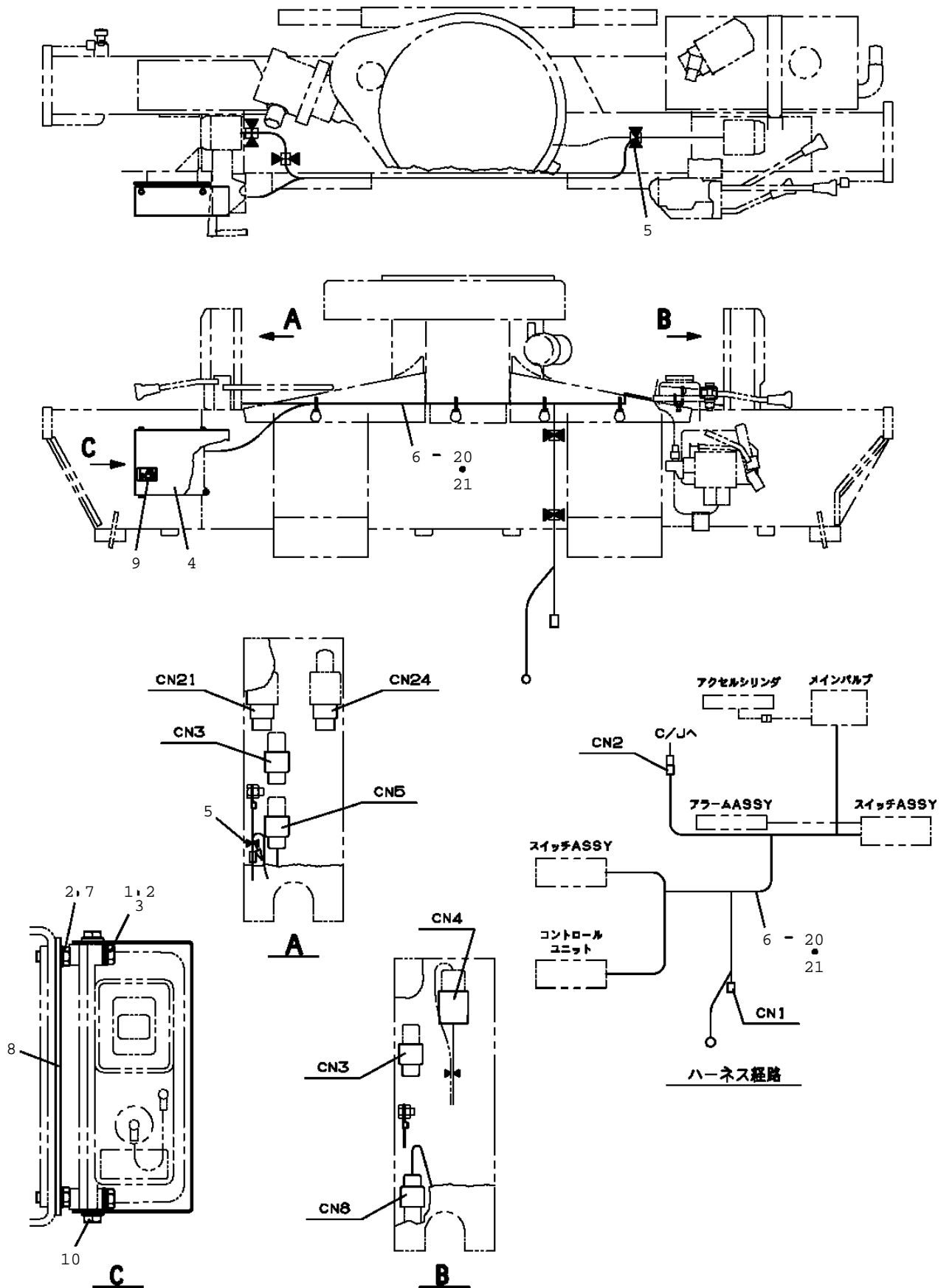
TM-ZF360 41102210360A FRAME/STD,REMOTE-RADIO CONT.,HOOK-IN
PE5020099-00 ELEC.ASSY (FRAME)



TM-ZF360 41102210360A FRAME/STD,REMOTE-RADIO CONT.,HOOK-IN

Pos No.	Parts No	Parts Name	Qty	Unit	Technical Data	Serial No (Start)	Serial
1	90101206035	BOLT	4		M6X35		
2	90302040601	WASHER,SPRING	8		6		
3	90303070601	WASHER,PLAIN	4		6		
4	31653221300	COVER	1				
	31653221500	COVER (IP)	1				
5	91810130240	FASTENER	13				
6	31473795100	HARNESS	1				
7	90101206016	BOLT	4		M6X16		
8	31473795200	SUPPORT	1				
9	31651760800	PLATE,CAUTION	1				
10	90186306010	BOLT,FLANGE	4		M6X10		
11	31473790100	HARNESS	1				
20	82100000745	FUSE	1		10A,6.5X30		
21	82100002832	HOLDER,FUSE	1				

TM-ZF360 41102210360A FRAME/STD,REMOTE-RADIO CONT.,HOOK-IN
PE5020100-00 ELEC.ASSY (FRAME)



TM-ZF360 41102210360A FRAME/STD,REMOTE-RADIO CONT.,HOOK-IN

Pos No.	Parts No	Parts Name	Qty	Unit	Technical Data	Serial No (Start)	Serial
1	90101206035	BOLT	4		M6X35		
2	90302040601	WASHER,SPRING	8		6		
3	90303070601	WASHER,PLAIN	4		6		
4	31653221300	COVER	1				
	31653221500	COVER (IP)	1				
5	91810130240	FASTENER	13				
6	31479645100	HARNESS	1				
7	90101206016	BOLT	4		M6X16		
8	31473795200	SUPPORT	1				
9	31651760800	PLATE,CAUTION	1				
10	90186306010	BOLT,FLANGE	4		M6X10		
20	82100000745	FUSE	1		10A,6.5X30		
21	82100002832	HOLDER,FUSE	1				

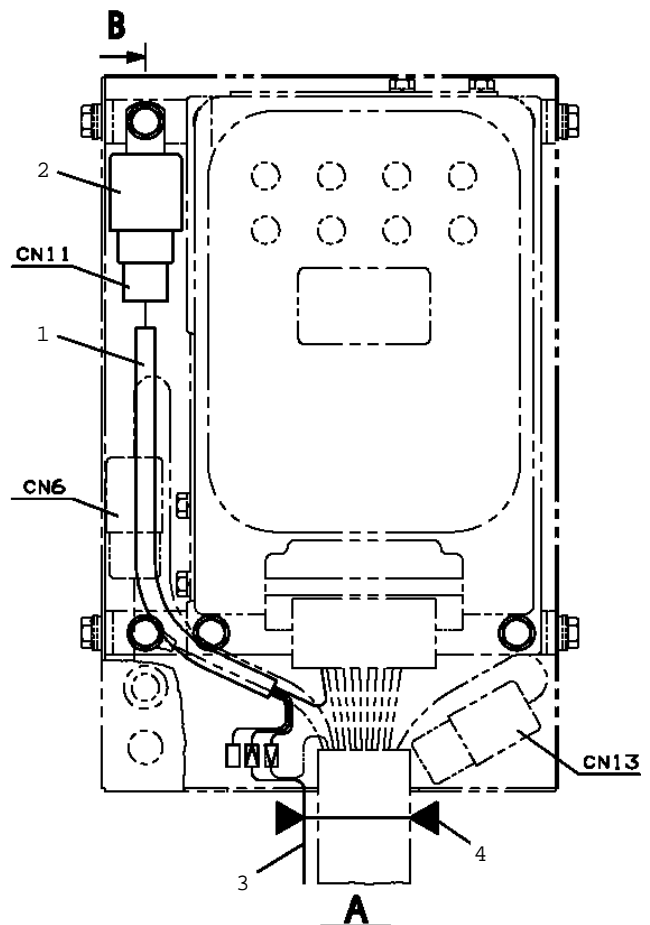
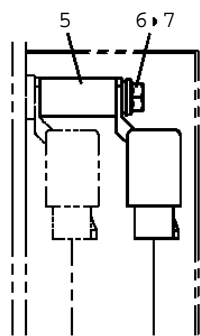
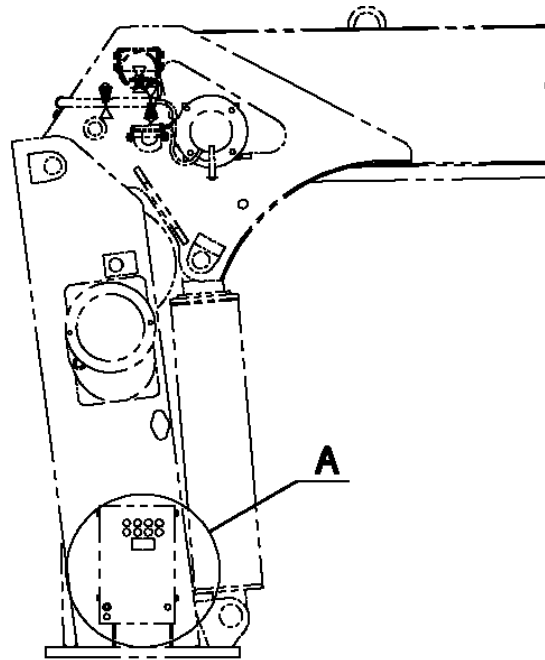
TM-ZF360 41102210360A FRAME/STD,REMOTE-RADIO CONT.,HOOK-IN
PE5020101-00 ELEC.ASSY (AWL LAMP)

指示番号 KEY NO.	ハイセンASSY (AWLランプ へんこう) ELEC.ASSY (AWL LAMP)
1	ハイセンASSY ELEC.ASSY
2	ネームプレートASSY (ランプ テントウジ ヨウケンへんこう) NAME PLATE ASSY
6	ネームプレートASSY (タカサセイゲンランプ テントウジ ヨウケンへんこう) NAME PLATE ASSY

TM-ZF360 41102210360A FRAME/STD,REMOTE-RADIO CONT.,HOOK-IN

Pos No.	Parts No	Parts Name	Qty	Unit	Technical Data	Serial No (Start)	Se
1	(*****)	ELEC.ASSY	1				
2	(*****)	NAME PLATE ASSY	1				
6	(*****)	NAME PLATE ASSY	1			KA3626	

TM-ZF360 41102210360A FRAME/STD,REMOTE-RADIO CONT.,HOOK-IN
PE5020102-00 ELEC.ASSY



TM-ZF360 41102210360A FRAME/STD,REMOTE-RADIO CONT.,HOOK-IN

Pos No.	Parts No	Parts Name	Qty	Unit	Technical Data	Serial No (Start)	Serial
1	31500701100	HARNESS	1				
2	82100002596	RELAY	1				
3	31473744700	HARNESS (RED)	1		L=1000		
4	91810130240	FASTENER	4				
5	44630111170	SPACER	1				
6	90186206045	BOLT, FLANGE	1		M6X45		
7	90303070601	WASHER, PLAIN	1		6		

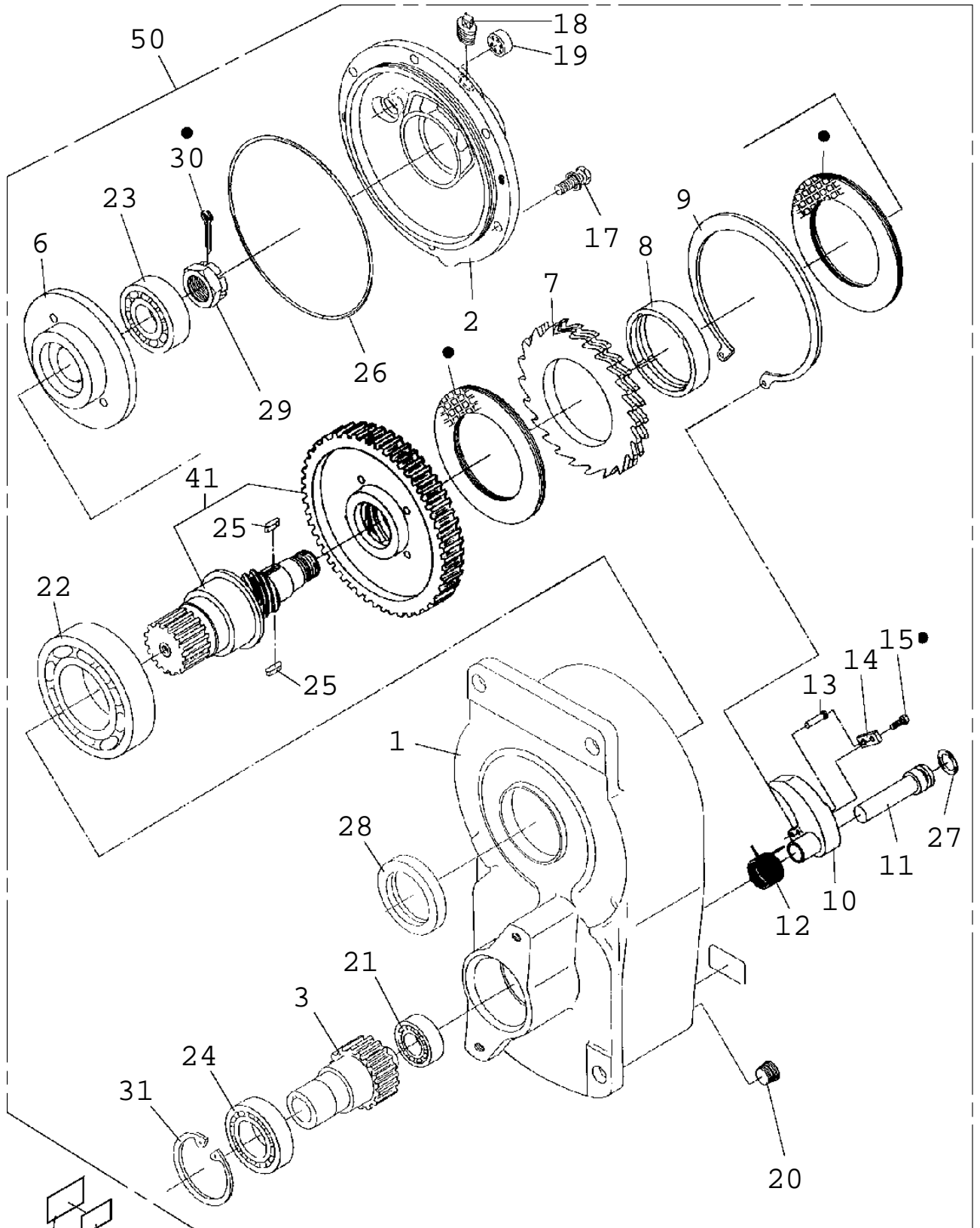
TM-ZF360 41102210360A FRAME/STD,REMOTE-RADIO CONT.,HOOK-IN
PE5020103-00 ELEC.ASSY

指示番号 KEY NO.	ハイセンASSY (アウトリカ カクノウラスレツイカハーツ,フサーツキ) ELEC.ASSY
1	ハイセンASSY (クレーンフ /スイッチ) ELEC.ASSY (CRANE/SWITCH)
2	ハイセンASSY (クレーンフ /ハーネス) ELEC.ASSY (CRANE/HARNESS)
3	ハイセンASSY (カソウシャリヨウフ) ELEC.ASSY (CARRIER)
7	プレート ASSY,ネーム PLATE ASSY,NAME

TM-ZF360 41102210360A FRAME/STD,REMOTE-RADIO CONT.,HOOK-IN

Pos No.	Parts No	Parts Name	Qty	Unit	Technical Data	Serial No (
1	(*****)	ELEC.ASSY (CRANE/SWITCH)	1			
2	(*****)	ELEC.ASSY (CRANE/HARNESS)	1			
3	(*****)	ELEC.ASSY (CARRIER)	1			
7	(*****)	PLATE ASSY,NAME	1			

TM-ZF360 41102210360A FRAME/STD,REMOTE-RADIO CONT.,HOOK-IN
 PF1010128-02 WINCH (OOKUBO)



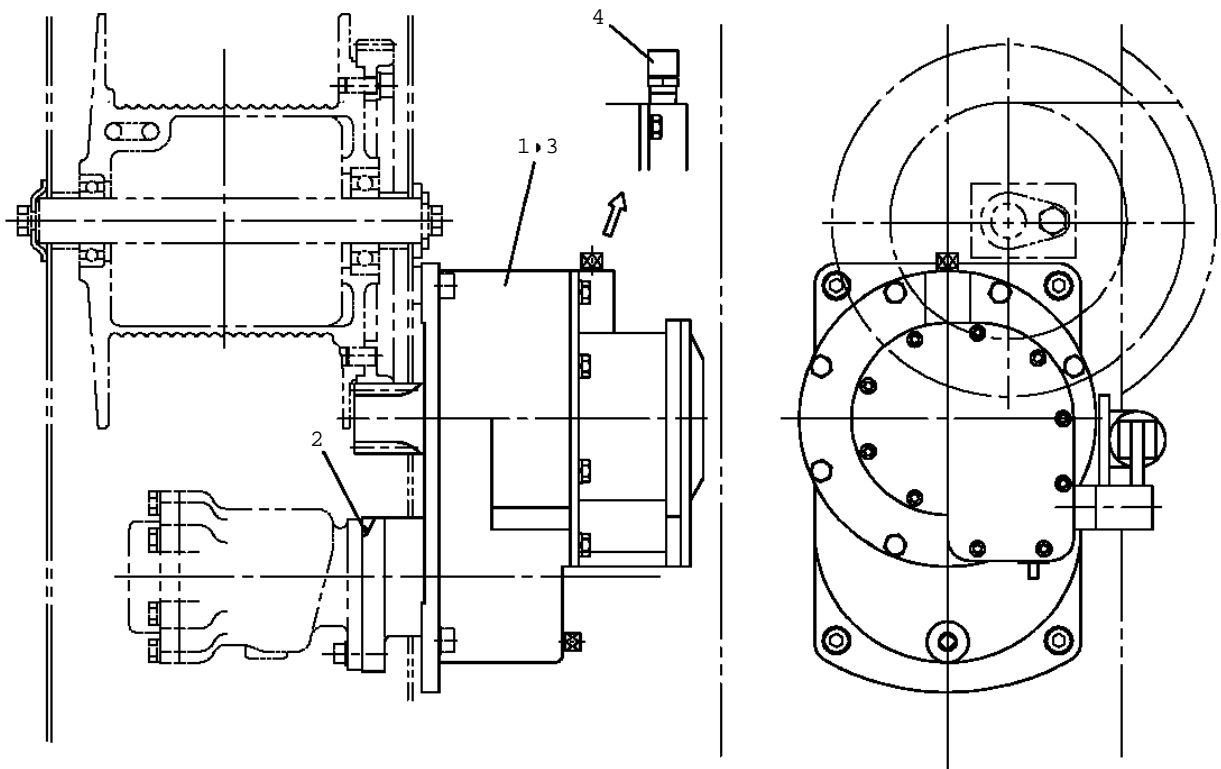
● Protective seal
 ● Replacement interval name plate

● : FACING KIT KEY NO1 01 (JAPANESE)
 ● : FACING KIT KEY NO1 02 (ENGLISH)

TM-ZF360 41102210360A FRAME/STD,REMOTE-RADIO CONT.,HOOK-IN

Pos No.	Parts No	Parts Name	Qty	Unit	Technical Data	Serial No (Start)
1	36072255010	CASING	1			
2	36072255020	COVER	1			
3	36072255030	GEAR (1)	1			
6	36072255060	DISK	1			
7	36072255071	WHEEL,RATCHET	1			
8	36072255080	BUSH	1			
9	36072255091	RING,SLIP	1			
10	36072255101	RATCHET	1			
11	36072255110	PIN	1			
12	36072255120	SPRING	1			
13	36072255130	PIN	1			
14	36072255140	PLATE (LOCK)	1			
15	80172304010	SCREW,MACHINE	1		M4X10	
17	36072255160	BOLT (WITH WASHER)	6		M8X25	
19	36072255180	GAUGE,OIL	1			
20	80205000300	PLUG	1		PT3/8	
21	80500006004	BEARING,BALL	1			
22	80500006212	BEARING,BALL	1			
23	80500006305	BEARING,BALL	1			
24	80500006007	BEARING,BALL	1			
25	36072255190	KEY	2		7X7X20	
26	36072255200	O-RING	1			
27	91001101500	O-RING	1		1A P15	
28	36072255210	SEAL,OIL	1			
29	36072255220	NUT,CASTLE	1		M24	
30	80136350035	PIN,SPLIT	1		5X35	
31	80602110620	RING,RITAINING	1		R62	
41	36072255230	GEAR SET	1			
50	36072250000	WINCH (OOKUBO)	1			
101	36072251000	FACING KIT(JAPANESE)	1			
102	36072252000	FACING KIT (ENGLISH)	1			

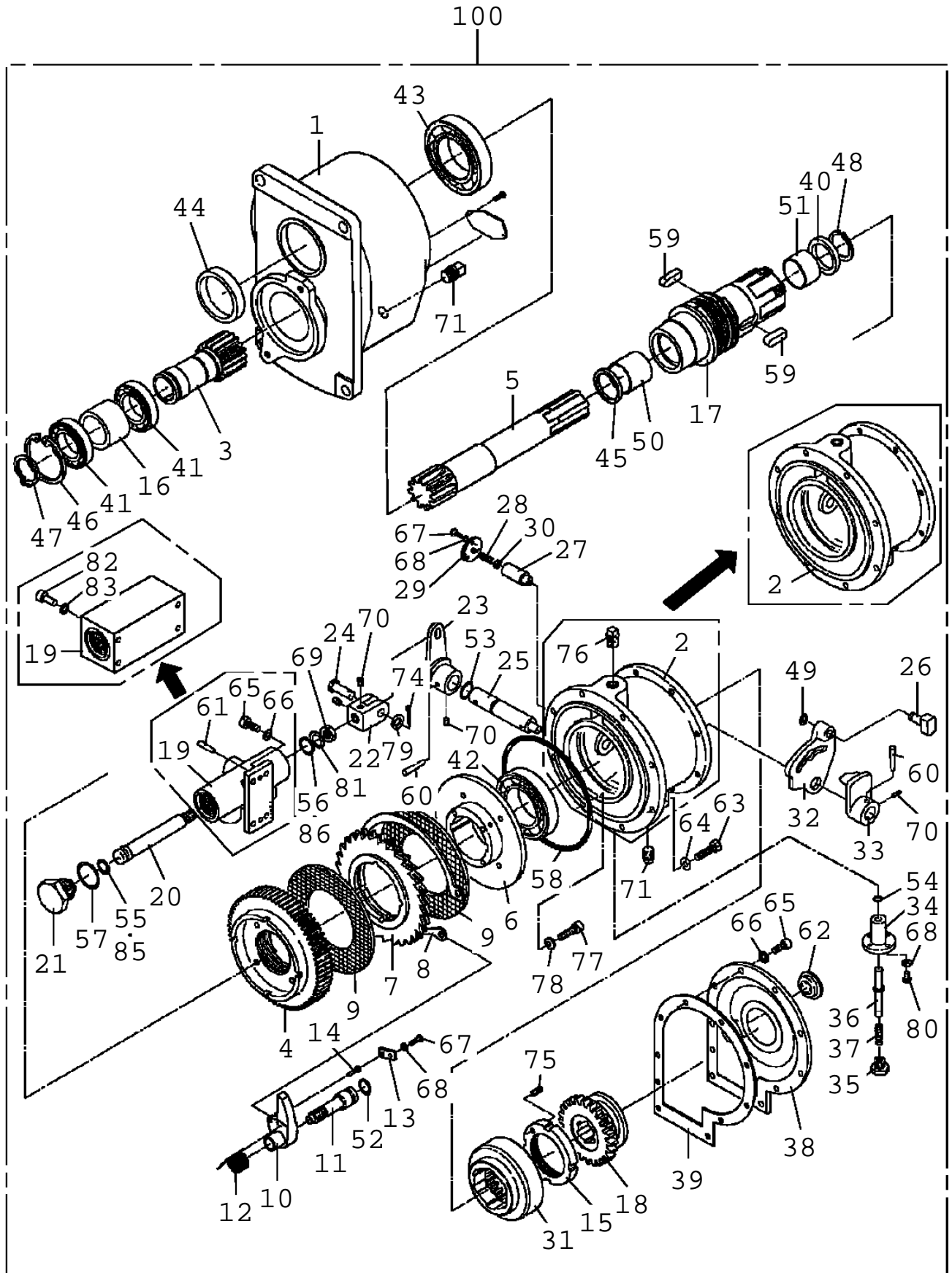
TM-ZF360 41102210360A FRAME/STD,REMOTE-RADIO CONT.,HOOK-IN
PF1010131-01 WINCH (DRUM FREE,OPTION)



TM-ZF360 41102210360A FRAME/STD,REMOTE-RADIO CONT.,HOOK-IN

Pos No.	Parts No	Parts Name	Qty	Unit	Technical Data	Serial No (Start)	Se
1	36072280000	WINCH (DRUM FREE)	1				
2	91001206000	O-RING	1		1A G60		
4	31310610500	BREATHER,AIR	1				

TM-ZF360 41102210360A FRAME/STD,REMOTE-RADIO CONT.,HOOK-IN
PF1010133-01 WINCH (DRUM FREE)



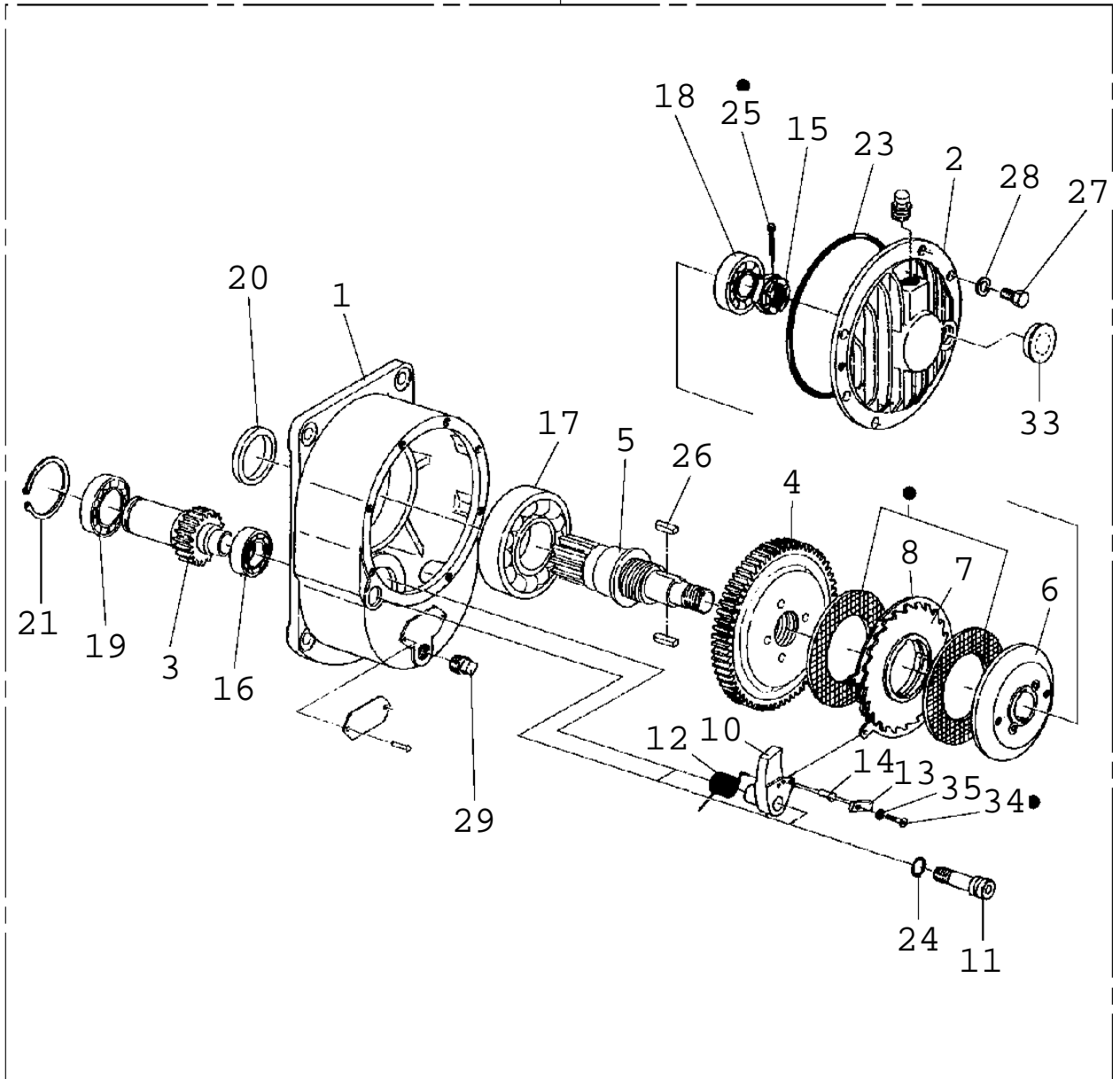
TM-ZF360 41102210360A FRAME/STD,REMOTE-RADIO CONT.,HOOK-IN

Pos No.	Parts No	Parts Name	Qty	Unit	Technical Data	Serial No (Start
1	36072285070	CASE,GEAR	1			
2	36071315020	CASE (CLUTCH)	1			
3	36071195030	GEAR,SPUR	1			
4	36071315030	GEAR,SPUR	1			
5	36071315040	GEAR,SPUR	1			
6	36071315050	BRAKE,DISK	1			
7	36071315060	WHEEL,RATCHET	1			
8	36071195080	LINK (RATCHET CONTROL)	1			
9	36071315070	DISK ASSY	2			
10	36071195100	RATCHET	1			
11	36071315080	SHAFT	1			
12	36071315090	SPRING	1			
13	36071195130	CAP	1			
14	36071195140	PIN	1			
15	36071315100	NUT	1			
16	36071195160	SPACER	1			
17	36071315110	SHAFT	1			
18	36071315120	GEAR,CLUTCH	1			
19	36072285080	CYLINDER	1			
20	36072285020	PISTON	1			
21	36071315150	STOPPER	1			
22	36071315160	JOINT, KNUCKLE	1			
23	36071315170	ARM (CLUTCH)	1			
24	36071315180	PIN (HINGE)	1			
25	36071315190	SHAFT	1			
26	36071315200	PIN (SLIDE)	1			
27	36071135150	PIN (LOCK)	1			
28	36071135160	SPRING	1			
29	36071315210	CAP	1			
30	36071315220	WASHER	1			
31	36071315230	GEAR,CLUTCH	1			
32	36071315240	SHIFTER (1)	1			
33	36071315250	SHIFTER (2)	1			
34	36071315261	HOUSING (INDICATOR)	1			
35	36071315270	NUT	1			
36	36071315280	PIN	1			
37	36071315290	SPRING	1			
38	36071315300	COVER	1			
39	36071315310	PACKING (SEAT)	1			
40	36071315320	SPACER (2)	1			
41	80500006007	BEARING,BALL	2			
42	80500006211	BEARING,BALL	1			
43	80500006212	BEARING,BALL	1			
44	91206058002	SEAL,OIL	1			
45	36071315330	SEAL,OIL	1			
46	80602110620	RING,RITAINING	1		R62	
47	80601110350	RING,RITAINING	1		S35	
48	80601110340	RING,RITAINING	1		S34	
49	80601110100	RING,RITAINING	1		S10	
50	36071315340	BEARING,PLAIN	1			
51	36071315350	BEARING,PLAIN	1			
52	91001101500	O-RING	1		1A P15	
53	91001101400	O-RING	2		1A P14	
54	91001100800	O-RING	1		1A P8	
55	91001101800	O-RING	1		1A P18	
56	91001101400	O-RING	1		1A P14	
57	91001102201	O-RING	1		1A P22A	
58	36071195200	O-RING	1			
59	36071315360	KEY	2			
60	36071315370	PIN,TAPER	2			
62	36071195190	GAUGE,OIL	1			
63	90131508018	BOLT,HEXAGON SOCKET	7		M8X18	
64	90302040801	WASHER,SPRING	7		8	
65	90131506018	BOLT,HEXAGON SOCKET	10		M6X18	
66	90302040601	WASHER,SPRING	10		6	
67	80172304012	SCREW,MACHINE	1		M4X12	
68	90302040401	WASHER,SPRING	8		4	
69	90211301200	NUT	1		M12	
70	36071315390	SCREW,SET	3		M6X6	
71	80205000300	PLUG	2		PT3/8	
74	80136320016	PIN,SPLIT	1		2X16	
75	36071135290	SCREW	2		M5X10	
77	90131508015	BOLT,HEXAGON SOCKET	1		M8X15	
78	36071315400	WASHER,SEAL	1			

TM-ZF360 41102210360A FRAME/STD,REMOTE-RADIO CONT.,HOOK-IN

Pos No.	Parts No	Parts Name	Qty	Unit	Technical Data	Serial No (Start
79	90303071001	WASHER,PLAIN	1		10	
80	90131504012	BOLT,HEXAGON SOCKET	7		M4X12	
81	36072285030	SEAL,DUST	1			
82	90131506045	BOLT,HEXAGON SOCKET	4		M6X45	
83	90302040601	WASHER,SPRING	4		6	
85	91410001800	RING,BACKUP	2		P18	
86	91410001400	RING,BACKUP	1		P14	
100	36072280000	WINCH (DRUM FREE)	1			

100



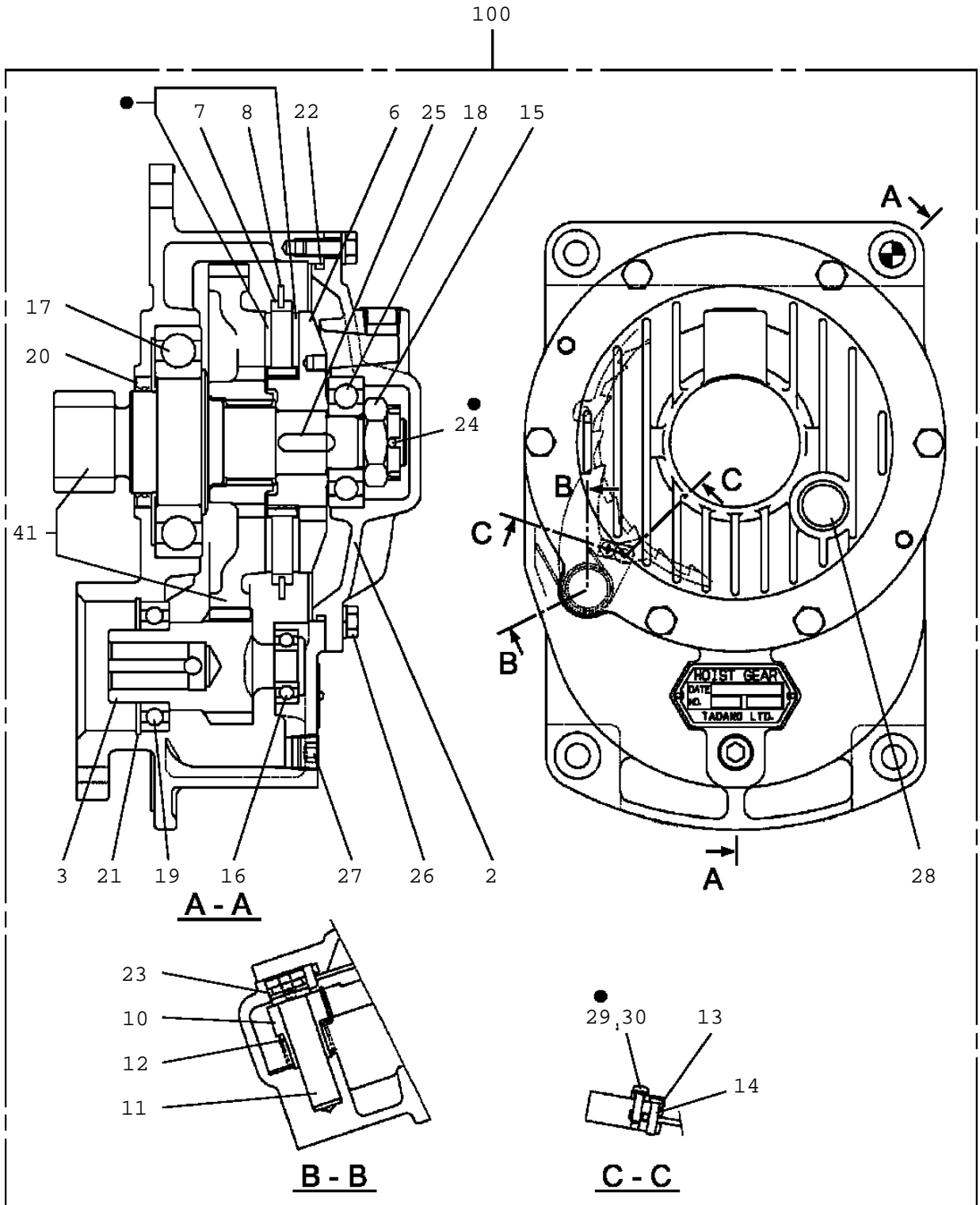
- : FACING KIT KEY NO1 0 1(JAPANESE)
- : FACING KIT KEY NO1 0 2(ENGLISH)



- Protective seal
- Replacement interval name plate

TM-ZF360 41102210360A FRAME/STD,REMOTE-RADIO CONT.,HOOK-IN

Pos No.	Parts No	Parts Name	Qty	Unit	Technical Data	Serial No (
1	36072625010	CASE,GEAR	1			
	36072625080	CASE,GEAR	1			EE7978
2	36072625020	CASE,GEAR	1			
3	36072625030	GEAR,SPUR	1			
4	36072625040	GEAR,SPUR	1			
	36072625100	GEAR,SPUR	1			EP5088
5	36072625050	GEAR,SPUR	1			
6	36072625060	BRAKE,DISK	1			
	36072625110	BRAKE,DISK	1			EP5088
7	36072395030	WHEEL,RATCHET (BUSH L=14MM)	1			
	36072625120	WHEEL,RATCHET (BUSH L=17MM)	1			EP5088
8	36071195080	LINK (RATCHET CONTROL)	1			
10	36071195100	RATCHET	1			
11	36072215050	SHAFT	1			
	36072625090	SHAFT	1			EE7978
12	36071195120	SPRING	1			
13	36071195130	CAP	1			
14	36071195140	PIN	1			
15	36071195150	NUT	1			
16	80500006202	BEARING,BALL	1			
17	80500006212	BEARING,BALL	1			
18	80500006305	BEARING,BALL	1			
19	80500006007	BEARING,BALL	1			
20	91206048001	SEAL,OIL	1			
21	80602110620	RING,RITAINING	1		R62	
23	36071195200	O-RING	1			
24	36071195170	O-RING	1		P15	
25	80136340040	PIN,SPLIT	1		4X40	
26	36072625070	KEY	2			
27	90131508018	BOLT,HEXAGON SOCKET	6		M8X18	
	90101208018	BOLT	6		M8X18	EP5088
28	90302040801	WASHER,SPRING	6		8	
29	80205000300	PLUG	1		PT3/8	
	80316030060	PLUG	1		PT3/8	EP5088
33	36071195190	GAUGE,OIL	1			
34	80172304012	SCREW,MACHINE	1		M4X12	
	80172304015	SCREW,MACHINE	1		M4X15	EP5088
35	90302040401	WASHER,SPRING	1		4	
100	36072620000	WINCH (HARTYS)	1			
101	36070441000	FACING KIT(JAPANESE)	1			
102	36070442000	FACING KIT (ENGLISH)	1			



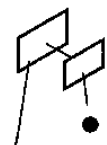
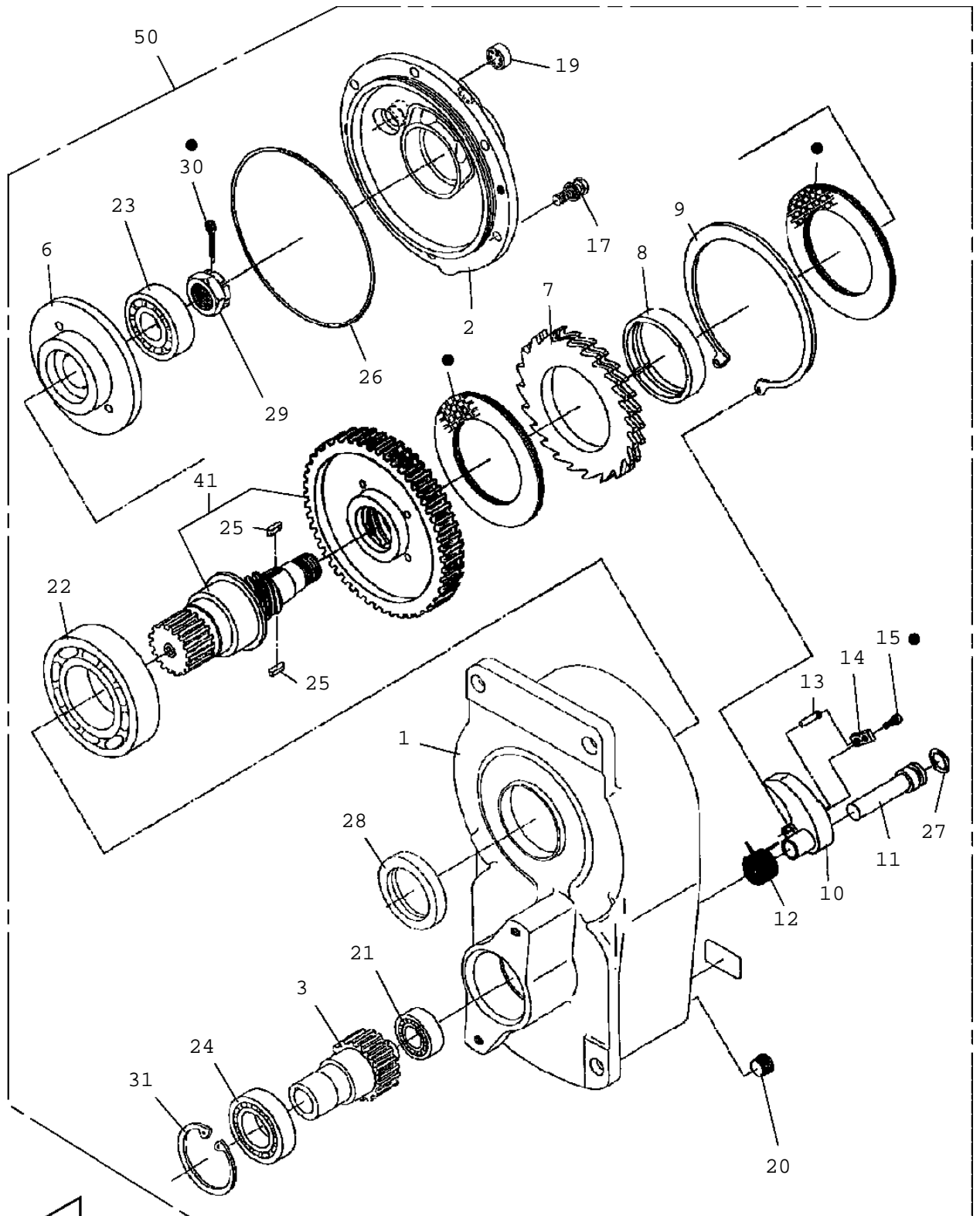
- : FACING KIT KEY NO.101 (JAPANESE)
- : FACING KIT KEY NO.102 (ENGLISH)

- Protective seal
- Replacement interval name plate

TM-ZF360 41102210360A FRAME/STD,REMOTE-RADIO CONT.,HOOK-IN

Pos No.	Parts No	Parts Name	Qty	Unit	Technical Data	Serial No (Start)
2	36073085020	COVER	1			
3	36073085030	GEAR	1			
6	36073085060	BRAKE,DISK	1			
	36073085061	BRAKE,DISK	1			EP4803
7	36073085070	WHEEL,RATCHET	1			
	36073085071	WHEEL,RATCHET	1			EP4803
	36073085072	WHEEL,RATCHET	1			EP4982
8	36073085080	RING (C)	1			
10	36073085090	RATCHET	1			
11	36073085100	SHAFT	1			
12	36073085110	SPRING	1			
13	36073085120	CAP	1			
14	36073085130	PIN	1			
15	36073085140	NUT	1			
16	80500006202	BEARING,BALL	1			
17	80500006212	BEARING,BALL	1			
18	80500006305	BEARING,BALL	1			
19	80500006007	BEARING,BALL	1			
20	36073085150	SEAL,OIL	1			
21	80602110620	RING,RITAINING	1		R62	
22	36071195200	O-RING	1			
23	91001101500	O-RING	1		1A P15	
24	80136340040	PIN,SPLIT	1		4X40	
25	36073085160	KEY	2			
26	36073085180	BOLT (WITH SW)	6			
27	36073085200	PLUG	1			
28	36073085170	GAUGE,OIL	1			
29	80172304015	SCREW,MACHINE	1		M4X15	
30	90302040401	WASHER,SPRING	1		4	
41	36073085600	GEAR ASSY	1			
	36073085601	GEAR ASSY	1			EP4803
	36073085602	GEAR ASSY	1			EP4982
100	36073080000	WINCH (Y.G.TEC)	1			
101	36070441000	FACING KIT(JAPANESE)	1			
102	36070442000	FACING KIT (ENGLISH)	1			

TM-ZF360 41102210360A FRAME/STD,REMOTE-RADIO CONT.,HOOK-IN
 PF1010237-01 WINCH (OOKUBO)



● Protective seal
 ● Replacement interval name plate

● : FACING KIT KEY NO.101 (JAPANESE)
 ● : FACING KIT KEY NO.102 (ENGLISH)

TM-ZF360 41102210360A FRAME/STD,REMOTE-RADIO CONT.,HOOK-IN

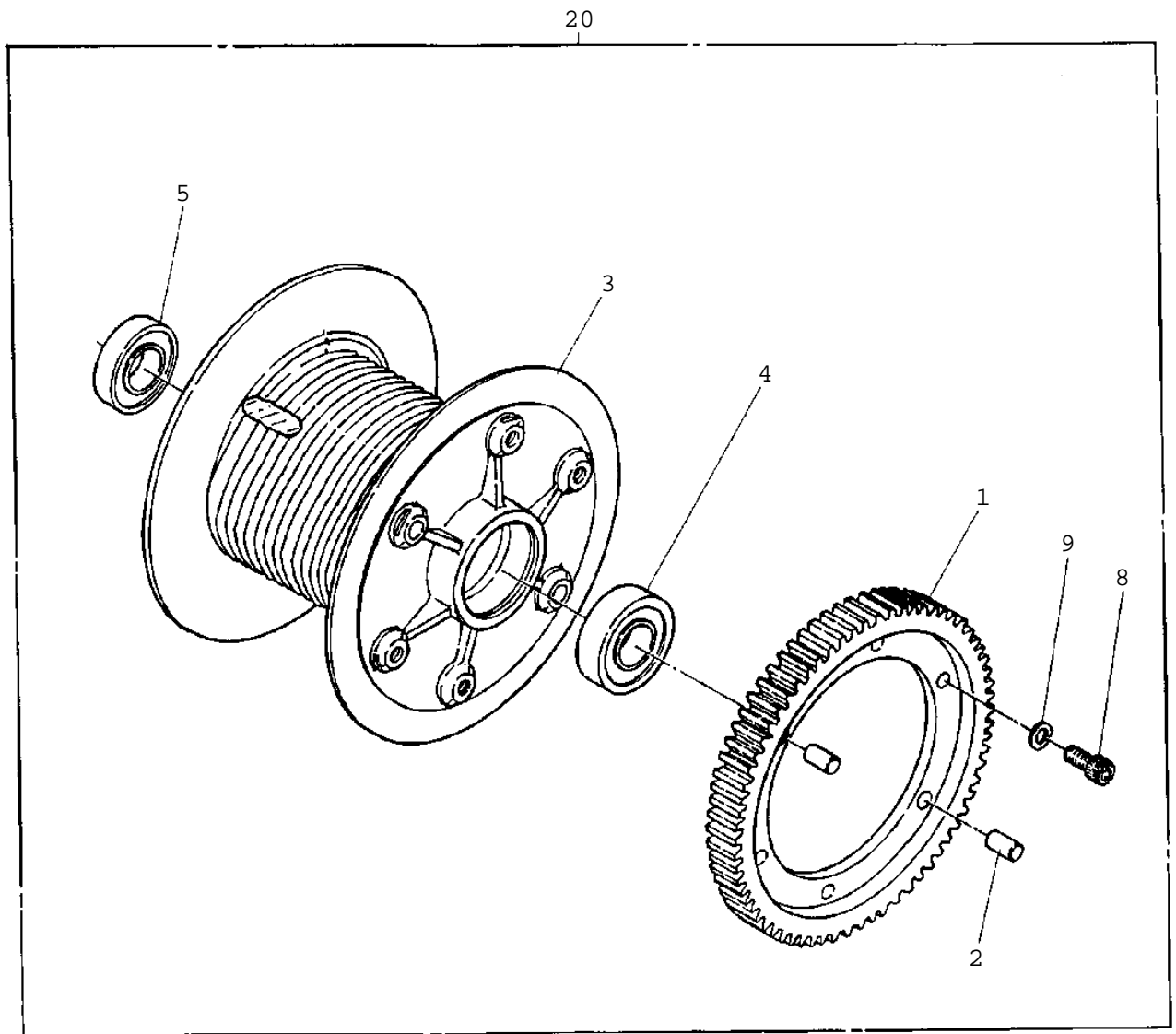
Pos No.	Parts No	Parts Name	Qty	Unit	Technical Data	Serial No (Start)
1	36072255010	CASING	1			
2	36072255020	COVER	1			
3	36072255030	GEAR (1)	1			
6	36072255060	DISK	1			
	36073425030	DISK	1			EP5592
7	36073425020	WHEEL,RATCHET	1			
8	36072255080	BUSH	1			
	36073425040	BUSH	1			EP5592
9	36072255091	RING,SLIP	1			
10	36072255101	RATCHET	1			
11	36072255110	PIN	1			
12	36072255120	SPRING	1			
13	36072255130	PIN	1			
14	36072255140	PLATE (LOCK)	1			
15	80172304010	SCREW,MACHINE	1		M4X10	
17	36072255160	BOLT (WITH WASHER)	6		M8X25	
19	36072255180	GAUGE,OIL	1			
20	36072255240	PLUG	1			
21	80500006004	BEARING,BALL	1			
22	80500006212	BEARING,BALL	1			
23	80500006305	BEARING,BALL	1			
24	80500006007	BEARING,BALL	1			
25	36072255190	KEY	2		7X7X20	
26	36072255250	O-RING	1			
27	91001101500	O-RING	1		1A P15	
28	36072255210	SEAL,OIL	1			
29	36072255220	NUT,CASTLE	1		M24	
30	80136350035	PIN,SPLIT	1		5X35	
31	80602110620	RING,RITAINING	1		R62	
41	36073435010	GEAR SET	1			
	36073435011	GEAR SET	1			EP5592
50	36073430000	WINCH (OOKUBO)	1			
101	36072251000	FACING KIT (JAPANESE)	1			
102	36072252000	FACING KIT (ENGLISH)	1			

TM-ZF360 41102210360A FRAME/STD,REMOTE-RADIO CONT.,HOOK-IN
 PF1010299-00 WINCH (DRUM FREE)

1	ウインチ WINCH
2	サポ ート SUPPORT
3	パイピング ,ウインチ PIPING,WINCH
4	ハイセンASSY ELEC.ASSY
5	プレートASSY,ネーム PLATE ASSY,NAME
6	ディテクタ,ディソ ータリ ワインド DETECTOR,DISORDERLY WIND
7	ロープ ,ガイド ROPE,GUIDE
8	ディテクタ,オーバ ワインド DETECTOR,OVERWIND
9	フック HOOK

TM-ZF360 41102210360A FRAME/STD,REMOTE-RADIO CONT.,HOOK-IN

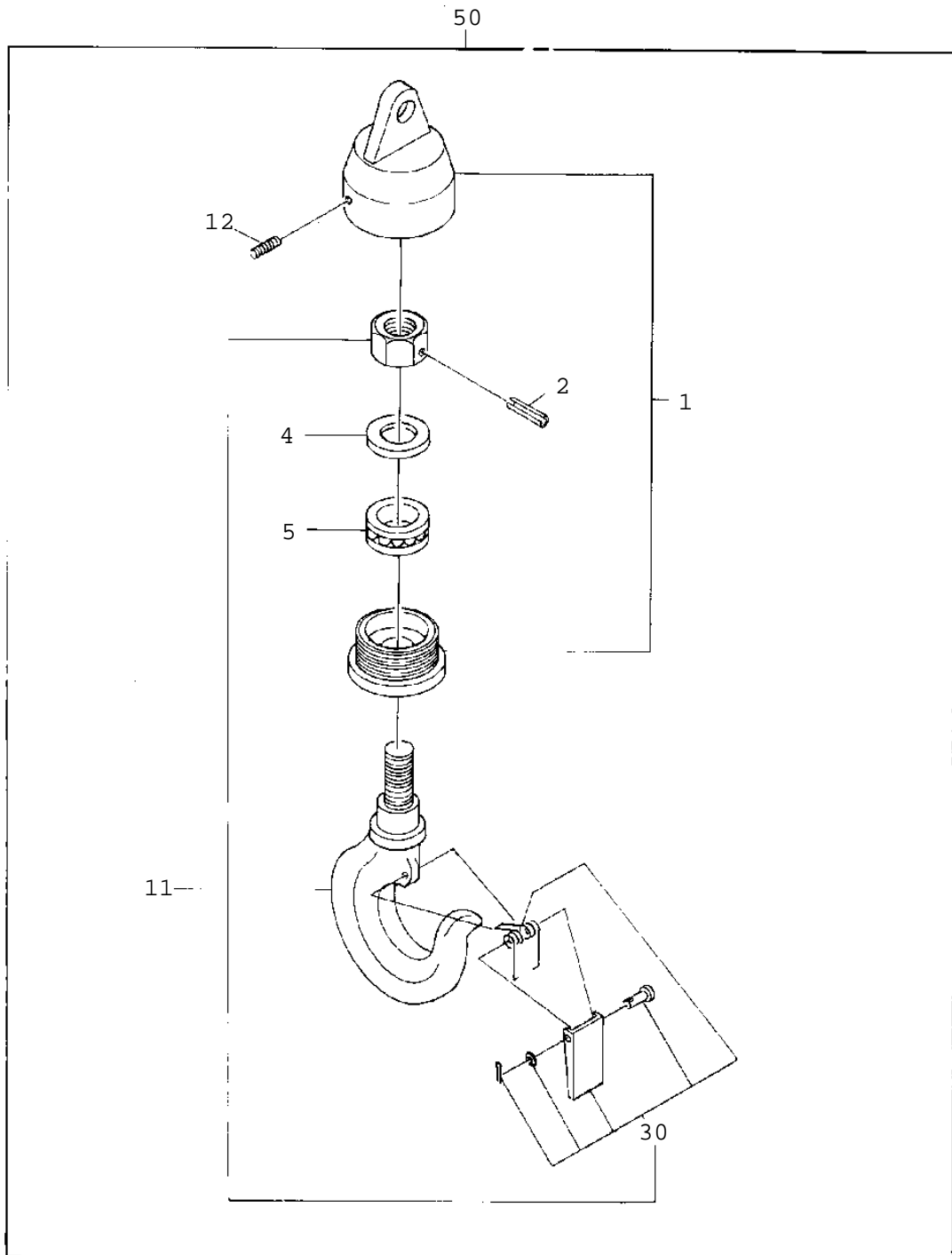
Pos No.	Parts No	Parts Name	Qty	Unit	Technical Data	Serial
1	(*****)	WINCH (DRUM FREE,OPTION)	1			
2	(*****)	SUPPORT (DRUM FREE,OPTION)	1			
3	(*****)	PIPING,WINCH (DRUM FREE,OPTION)	1			
4	(*****)	ELEC.ASSY (DRUM FREE,OP.)	1			
5	(*****)	PLATE ASSY,NAME (DRUM FREE)	1			
6	(*****)	DETECTOR,DISORDERLY WINDING	1			
7	(*****)	ROPE,GUIDE (OPTION)	1			
8	(*****)	DETECTOR,OVER WINDING (OPTION)	1			
9	36091920000	HOOK (DRUM FREE,OPTION)	1			



TM-ZF360 41102210360A FRAME/STD,REMOTE-RADIO CONT.,HOOK-IN

Pos No.	Parts No	Parts Name	Qty	Unit	Technical Data	Serial No (Start)
1	31310237510	GEAR,SPUR	1			
2	31310005010	PIN	2			
3	31310617510	DRUM	1			
4	80516006306	BEARING,BALL	1			
5	80516006206	BEARING,BALL	1			
8	31310617520	BOLT,HEXAGON SOCKET	4		M10X25	
9	90302041001	WASHER,SPRING	4		10	
20	31310610100	DRUM,WINCH	1			

TM-ZF360 41102210360A FRAME/STD,REMOTE-RADIO CONT.,HOOK-IN
PF1050063-01 HOOK (DRUM FREE,OPTION)

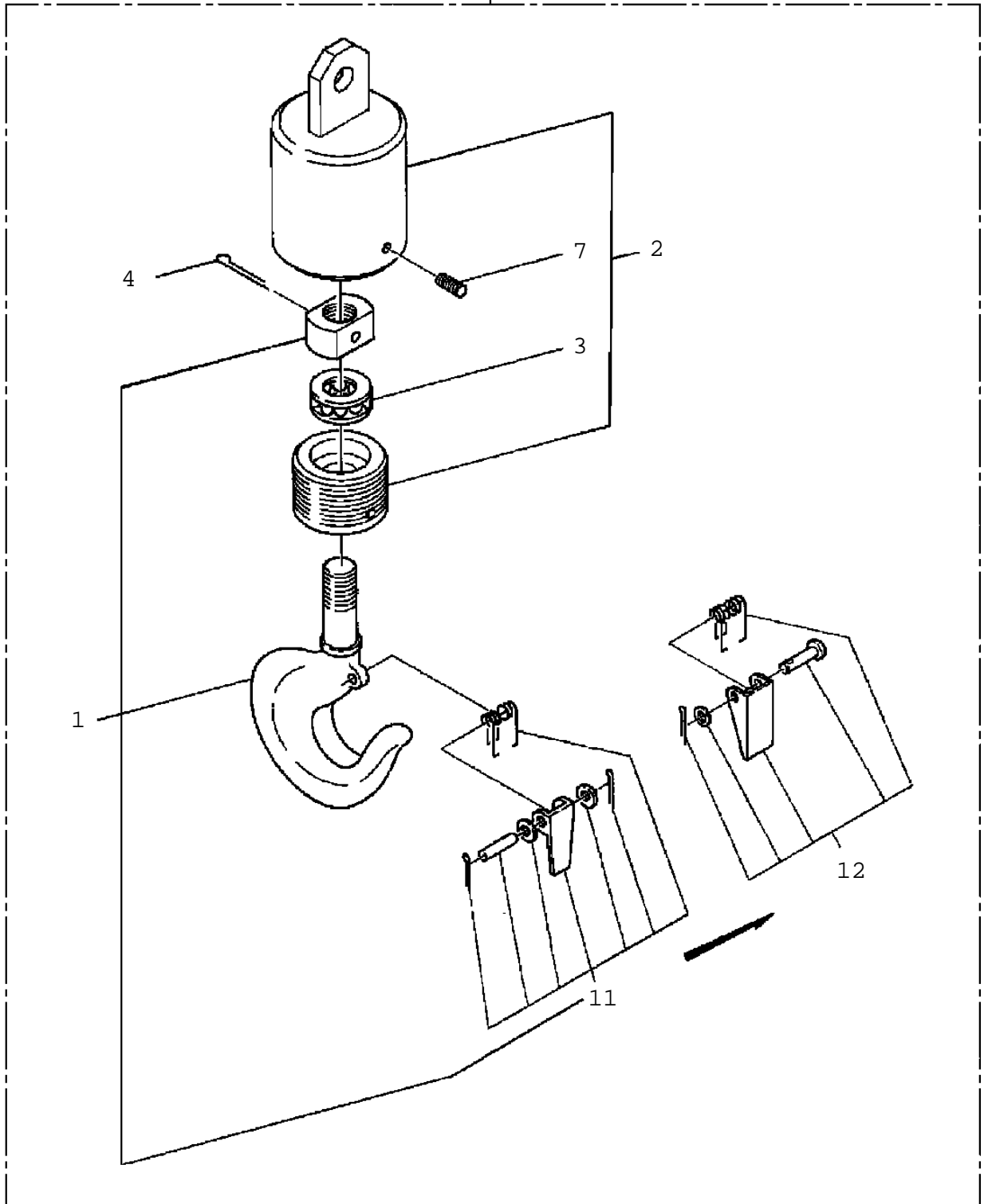


TM-ZF360 41102210360A FRAME/STD,REMOTE-RADIO CONT.,HOOK-IN

Pos No.	Parts No	Parts Name	Qty	Unit	Technical Data	Serial No (Star
1	36091929520	BODY ASSY	1			
2	80720104028	PIN,SPRING	1		4X28	
4	90303071801	WASHER,PLAIN	1		18	
5	12231505000	BEARING,PLAIN	1			
11	36091929510	HOOK ASSY	1			
12	90710008160	SCREW,SET	1		M8X16	
30	36094049510	STOPPER ASSY	1			
50	36091920000	HOOK (DRUM FREE,OPTION)	1			

TM-ZF360 41102210360A FRAME/STD,REMOTE-RADIO CONT.,HOOK-IN
PF1050161-03 HOOK (1-PART LINE ,OPTION)

20



TM-ZF360 41102210360A FRAME/STD,REMOTE-RADIO CONT.,HOOK-IN

Pos No.	Parts No	Parts Name	Qty	Unit	Technical Data	Serial No (S
1	14211695513	HOOK ASSY	1			
2	36090239510	BODY ASSY	1			
3	80500051205	BEARING,BALL	1			
4	80136350060	PIN,SPLIT	1		5X60	
7	90710008200	SCREW,SET	1		M8X20	
12	36094049510	STOPPER ASSY	1			
20	36090230000	HOOK (1-PART LINE ,OPTION)	1			

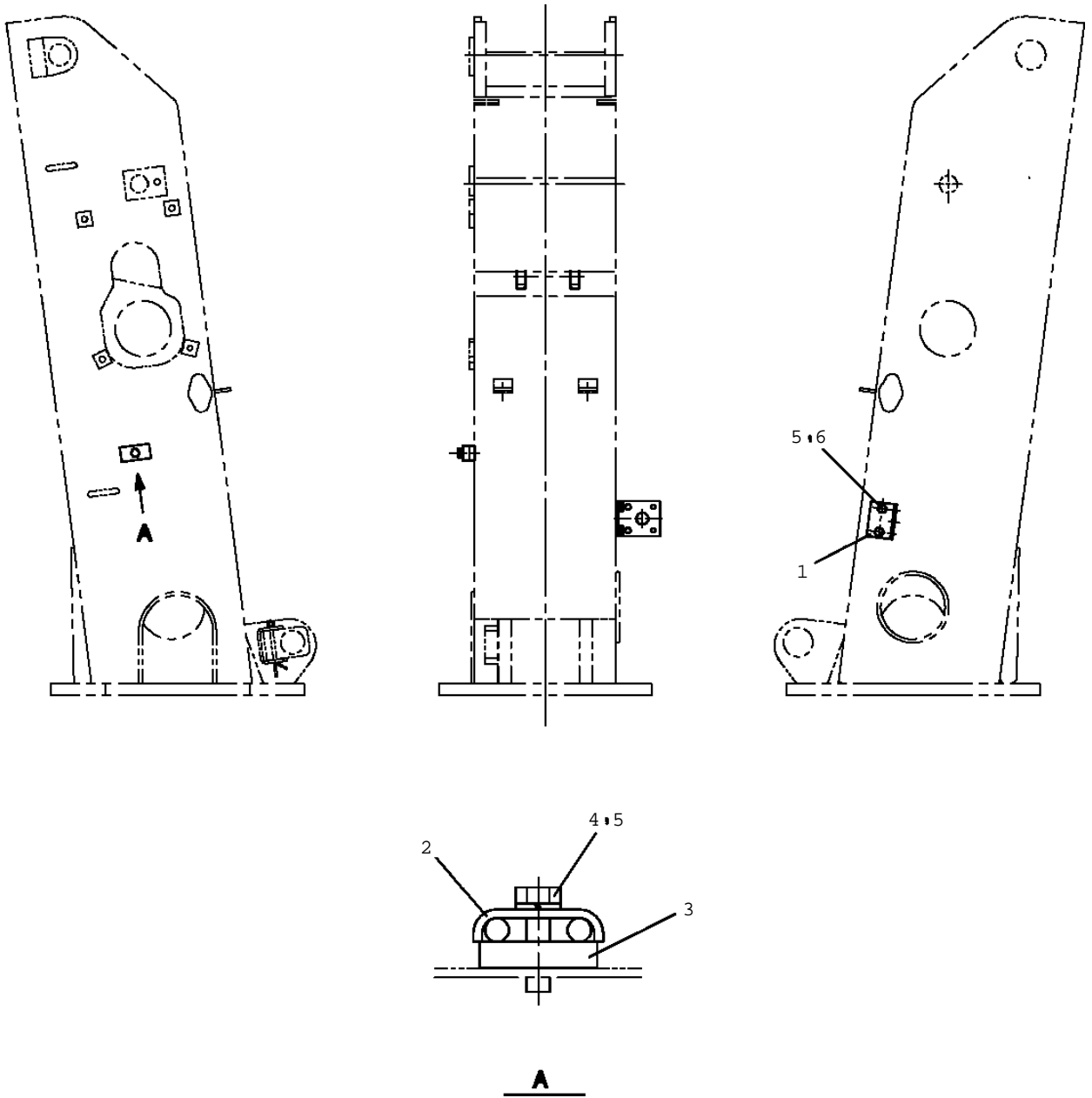
TM-ZF360 41102210360A FRAME/STD,REMOTE-RADIO CONT.,HOOK-IN
PF1050447-00 HOOK

1	フック HOOK
2	プレートASSY,ネーム PLATE ASSY,NAME

TM-ZF360 41102210360A FRAME/STD,REMOTE-RADIO CONT.,HOOK-IN

Pos No.	Parts No	Parts Name	Qty	Unit	Technical Data	Serial No
1	36090230000	HOOK (1-PART LINE ,OPTION)	1			
2	(***** *****)	PLATE ASSY,NAME (HOOK)	1			

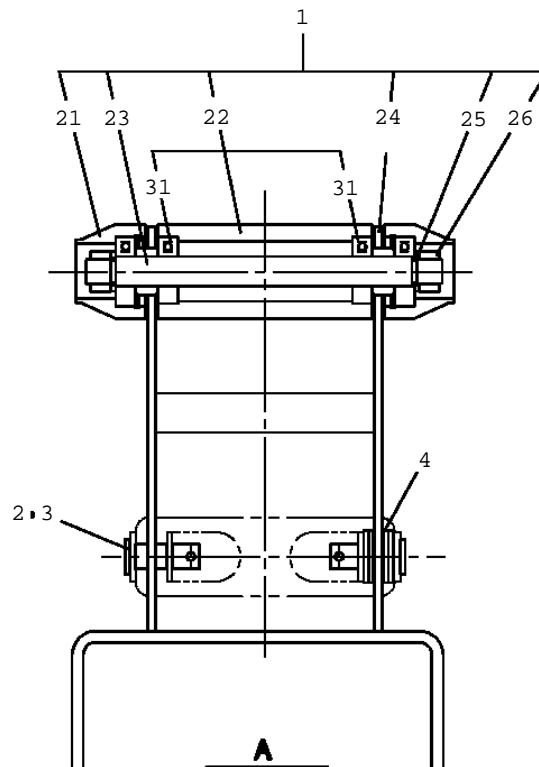
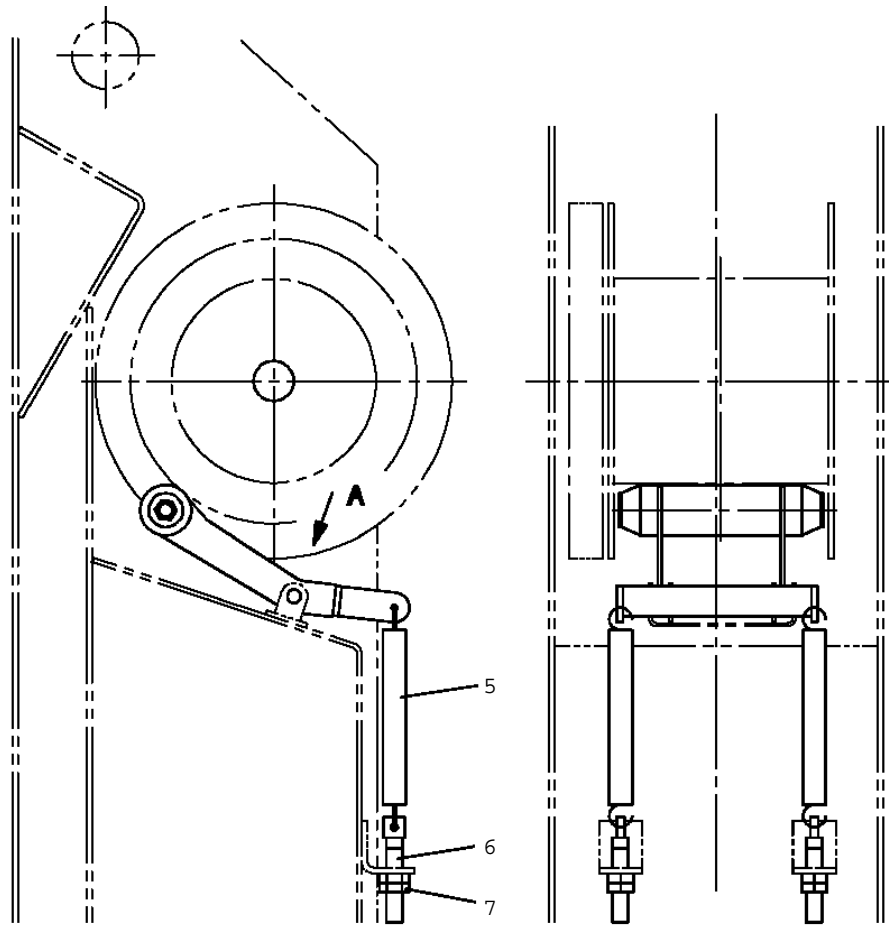
TM-ZF360 41102210360A FRAME/STD,REMOTE-RADIO CONT.,HOOK-IN
PF1080001-00 SUPPORT (DRUM FREE,OPTION)



TM-ZF360 41102210360A FRAME/STD,REMOTE-RADIO CONT.,HOOK-IN

Pos No.	Parts No	Parts Name	Qty	Unit	Technical Data	Serial No (Start)	Serial
1	31473742100	SUPPORT	1				
2	37000600710	SUPPORT	1				
3	31640810190	PLATE	1				
4	90101208030	BOLT	1		M8X30		
5	90302040801	WASHER,SPRING	3		8		
6	90101208016	BOLT	2		M8X16		

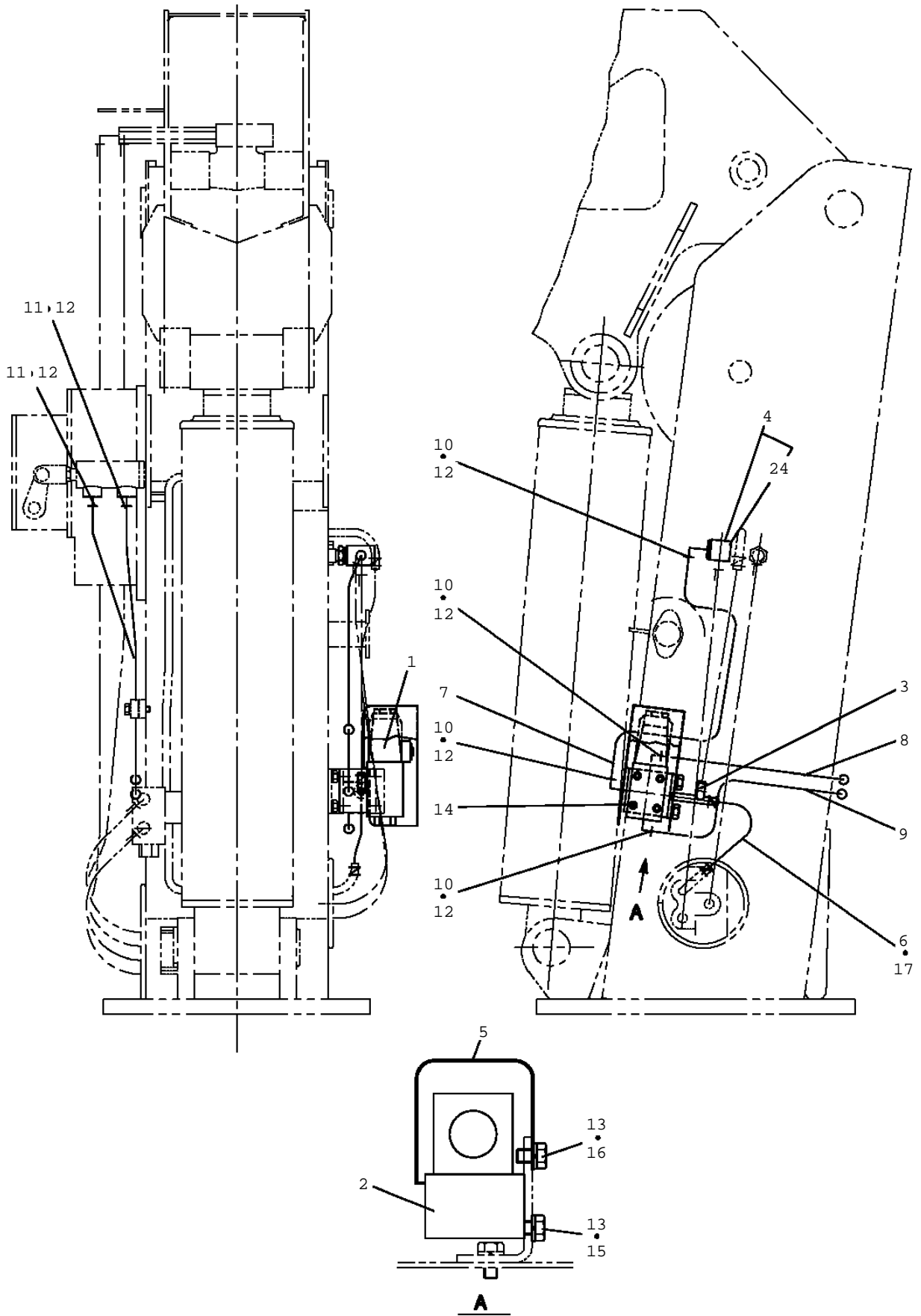
TM-ZF360 41102210360A FRAME/STD,REMOTE-RADIO CONT.,HOOK-IN
PF1180053-00 DETECTOR,DISORDERLY WINDING



TM-ZF360 41102210360A FRAME/STD,REMOTE-RADIO CONT.,HOOK-IN

Pos No.	Parts No	Parts Name	Qty	Unit	Technical Data	Serial No (Start)	Serial :
1	31440220100	ROLLER ASSY	1				
2	37000105740	PIN	2				
3	80136332020	PIN,SPLIT	2		3.2X20		
4	90303071001	WASHER,PLAIN	4		10		
5	37001300000	SPRING	2				
6	14124015000	BOLT	2				
7	90201201200	NUT	4		M12		
21	37001107470	ROLLER ASSY	2				
22	37001107690	ROLLER ASSY	1				
23	31440220300	PIN	1				
24	31440220150	SUPPORT	1				
25	31440150350	WASHER,PLAIN	2				
26	90286001007	NUT	2		M10 P=1.25		
31	80516006001	BEARING,BALL	4				

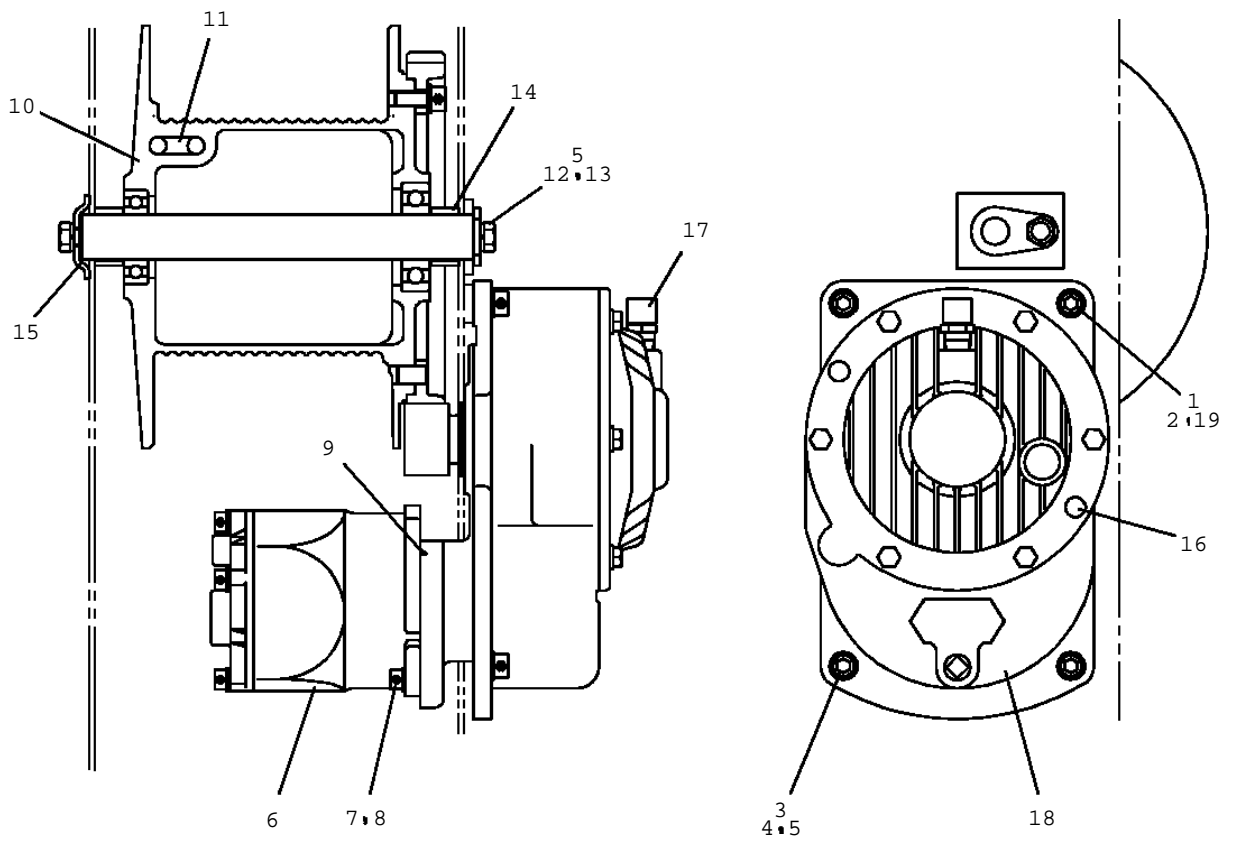
TM-ZF360 41102210360A FRAME/STD,REMOTE-RADIO CONT.,HOOK-IN
PF1200188-01 PIPING,WINCH (DRUM FREE,OPTION)



TM-ZF360 41102210360A FRAME/STD,REMOTE-RADIO CONT.,HOOK-IN

Pos No.	Parts No	Parts Name	Qty	Unit	Technical Data	Serial No (Start)
1	36642760000	VALVE, SOLENOID	1			
2	31473743100	JOINT	1			
3	31473743200	JOINT	1			
4	37000924420	JOINT	1			
5	31473743300	COVER	1			
6	91803600200	CLIP	2		D=13-20	
7	81408000081	PIPE, STEEL	1	M	8X1.2T	
8	81408000081	PIPE, STEEL	1	M	8X1.2T	
9	81408000081	PIPE, STEEL	1	M	8X1.2T	
10	80303210040	FITTING, ELBOW	4			
11	80302120040	FITTING	2		POA08PF1/4	
12	91002801100	O-RING	6		1B P11	
13	90302040801	WASHER, SPRING	4		8	
14	90131505045	BOLT, HEXAGON SOCKET	4		M5X45	
15	90101208016	BOLT	2		M8X16	
16	90101208012	BOLT	2		M8X12	
17	37002511730	HOSE	1		L=225	
24	91002801400	O-RING	1		1B P14	

TM-ZF360 41102210360A FRAME/STD,REMOTE-RADIO CONT.,HOOK-IN
PF1400262-01 MOUNT,WINCH

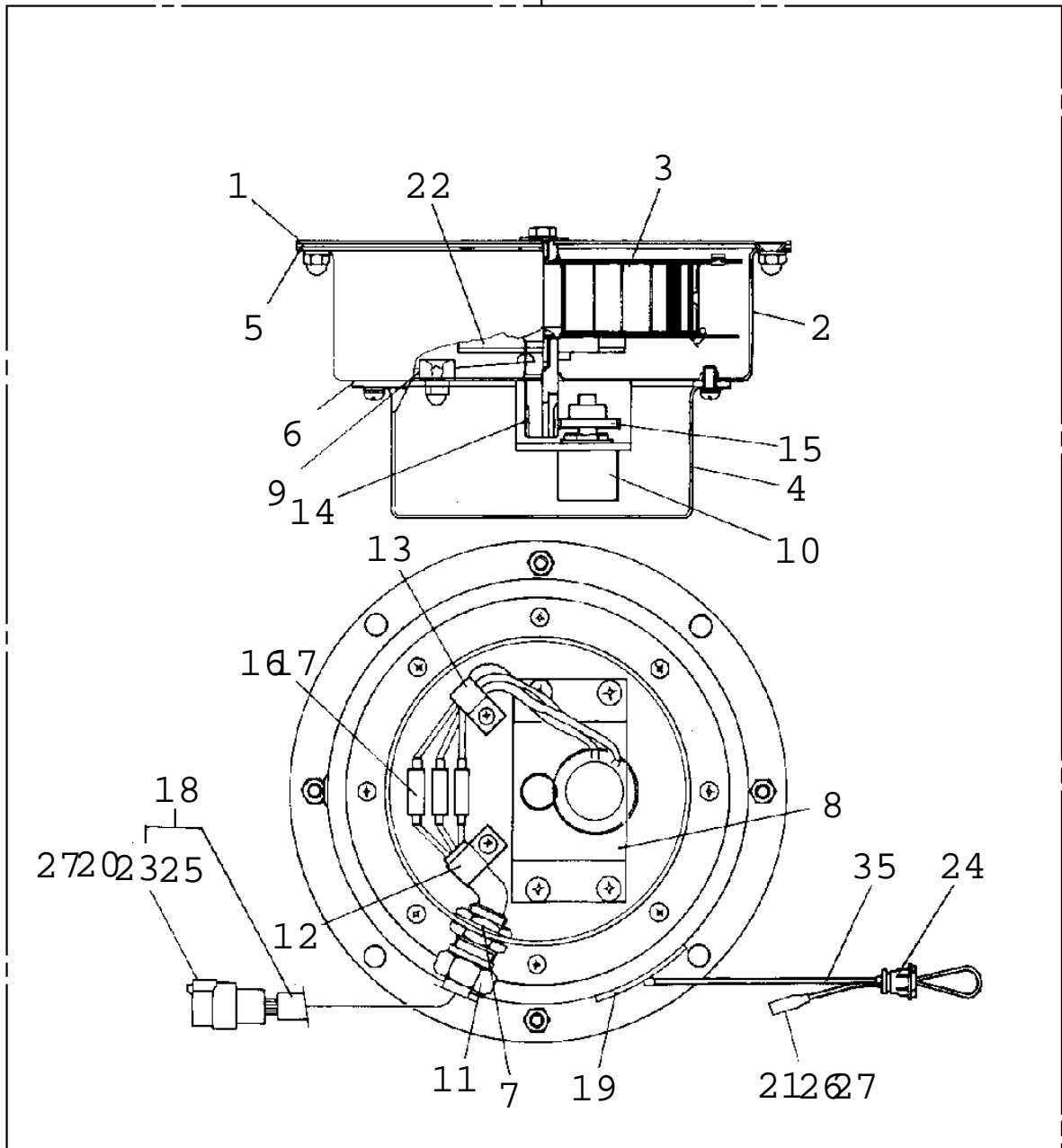


TM-ZF360 41102210360A FRAME/STD,REMOTE-RADIO CONT.,HOOK-IN

Pos No.	Parts No	Parts Name	Qty	Unit	Technical Data	Serial No (Star
1	37001500000	BOLT	1			
2	90302041201	WASHER,SPRING	1		12	
3	90303071001	WASHER,PLAIN	3		10	
4	90172110028	BOLT,HEXAGON SOCKET	3		M10X28	
5	90302041001	WASHER,SPRING	5		10	
6	36662180000	MOTOR,HYDRAULIC (WINCH)	1			
7	90172108025	BOLT,HEXAGON SOCKET	2		M8X25	
8	90302400801	WASHER,SPRING (8)	2			
9	91001206000	O-RING	1		1A G60	
10	31310610100	DRUM,WINCH	1			
11	37002600190	WEDGE	1		8	
12	37000134390	PIN	1			
13	90101210020	BOLT	2		M10X20	
14	37000300350	SPACER	2		L=18.5	
15	31310391000	COVER	1			
16	82401800080	PLUG (FOR M8)	2			
17	31310610500	BREATHER,AIR	1			
18	36072620000	WINCH (HARTYS)	1			
	36073430000	WINCH (OOKUBO)	1			
	36072250000	WINCH (OOKUBO)	1			
	36073080000	WINCH (Y.G.TEC)	1			
	36073810000	WINCH ASSY (Y.G.TEC)	1			KA3275
19	90303071201	WASHER,PLAIN	1		12	
	90303101201	WASHER,PLAIN	1		12	EP1034

TM-ZF360 41102210360A FRAME/STD,REMOTE-RADIO CONT.,HOOK-IN
PG1130016-02 DETECTOR,BOOM LENGTH

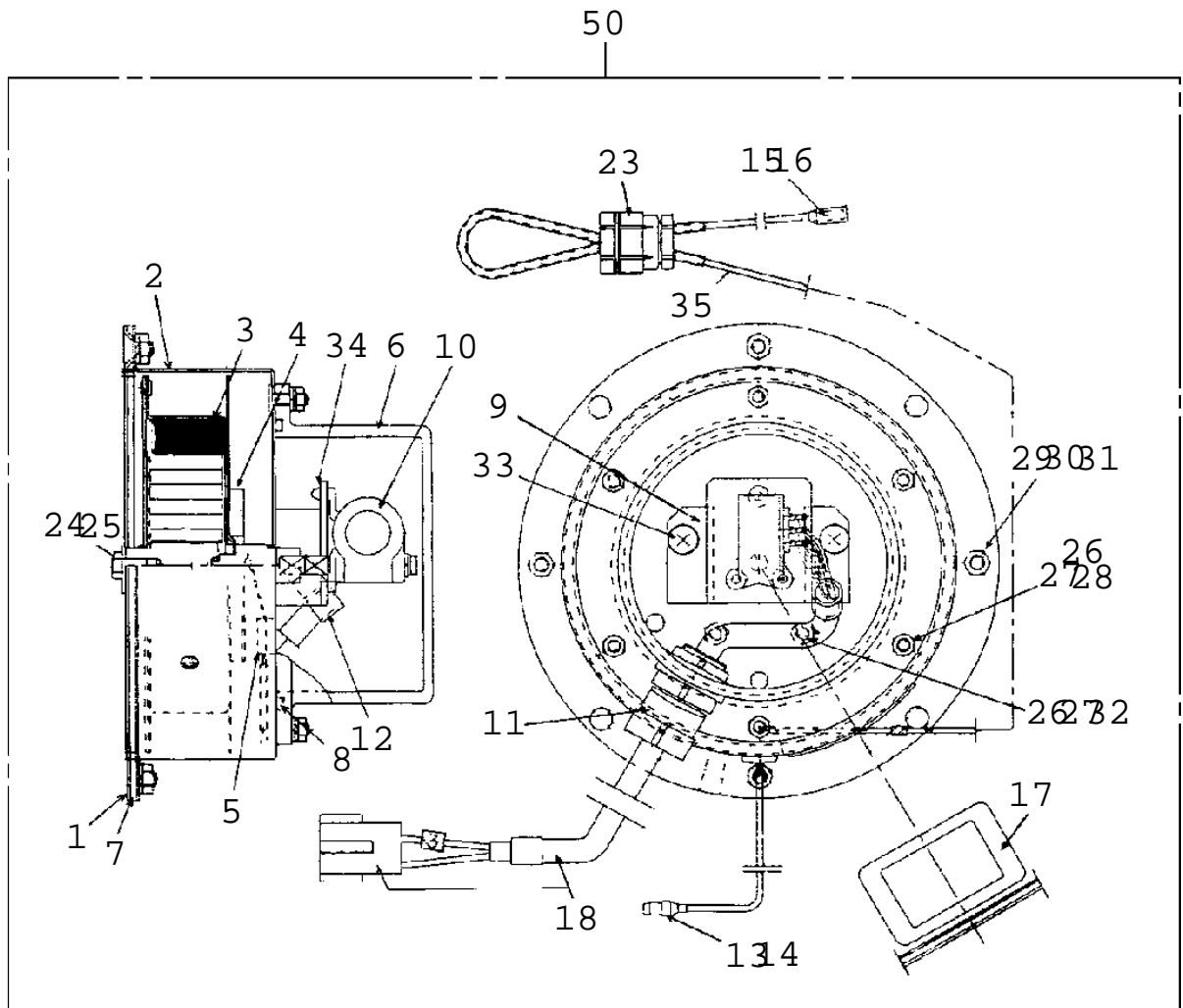
60



TM-ZF360 41102210360A FRAME/STD,REMOTE-RADIO CONT.,HOOK-IN

Pos No.	Parts No	Parts Name	Qty	Unit	Technical Data	Serial No (
1	36130235010	PLATE (BASE)	1			
2	36130925010	CASE	1			
3	36130595010	DRUM ASSY	1			
4	36130805020	COVER	1			
5	31370105030	PACKING	1			
6	31370005030	PACKING	1			
7	32360005220	PACKING	1			
8	36131265010	BRACKET	1			
9	33371277520	CONTACTOR ASSY	1			
10	36130235060	POTENTIOMETER	1			
11	32360005170	CLAMP (CORD)	1			
12	36130045090	CLIP (NYLON)	1			
13	32360005150	CLIP (NYLON)	1			
14	36130235070	GEAR (A)	1			
15	36130875010	GEAR (B)	1			
16	36130675020	TERMINAL	3			
17	36130675030	TERMINAL	3			
18	36130805010	CABLE ASSY (WITH CONNECOTR)	1		L=2950	
19	31370005080	GUIDE (CORD)	1			
20	82100000969	PLUG	1			
21	82100002282	CONNECTOR	1			
22	32360005050	RING,SLIP	1			
23	82100002290	CONNECTOR	1			
24	82100001406	CONNECTOR (SEAL)	1			
25	82100002332	PLUG	1			
26	82100002328	PLUG	1			
27	82100002258	TERMINAL	6			
35	82100000080	CORD (1-LINE)	14	M		
60	36130800000	DETECTOR,BOOM LENGTH	1			

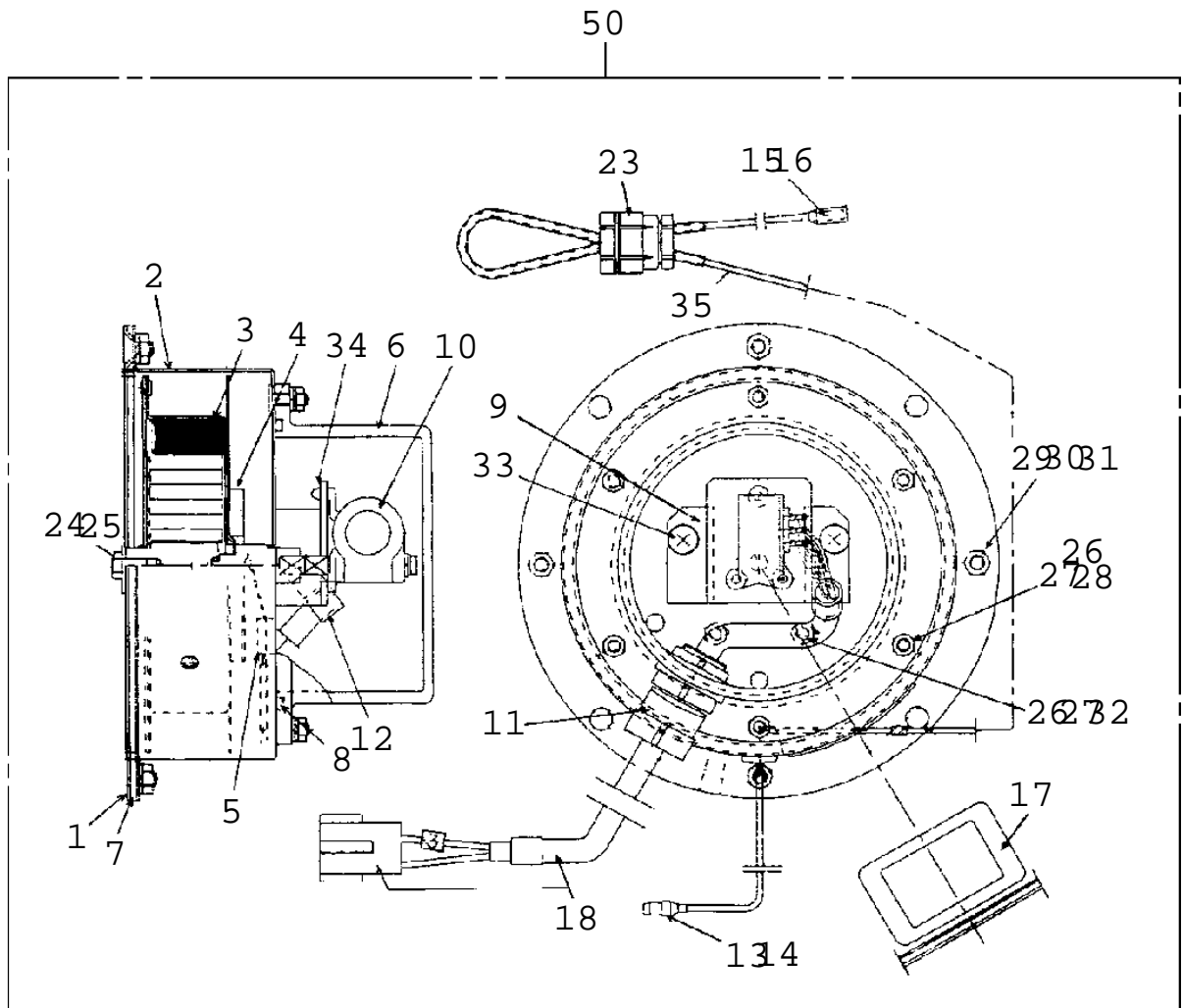
TM-ZF360 41102210360A FRAME/STD,REMOTE-RADIO CONT.,HOOK-IN
PG1130086-01 DETECTOR,BOOM LENGTH (BML,OPTION)



TM-ZF360 41102210360A FRAME/STD,REMOTE-RADIO CONT.,HOOK-IN

Pos No.	Parts No	Parts Name	Qty	Unit	Technical Data	Serial
1	36131315010	PLATE (BASE)	1			
2	36131315020	CASE	1			
3	36131315030	DRUM ASSY	1			
4	36131315040	RING ASSY (CONTACT)	1			
5	32360005060	CONTACTOR ASSY	1			
6	36131315050	CASE (POTENTIO)	1			
7	36131315060	PACKING	1			
8	91001209000	O-RING	1		1A G90	
9	36131315070	BRACKET	1			
10	36131315080	POTENTIOMETER	1			
11	36130915030	SEAL	1			
12	36130045090	CLIP (NYLON)	1			
13	82100000192	TERMINAL	1			
14	82100000182	INSULATOR	1			
15	82100000191	TERMINAL	1			
16	82100000183	INSULATOR	1			
17	31370005080	GUIDE (CORD)	1			
18	36131315110	CORD ASSY	1			
23	82100001406	CONNECTOR (SEAL)	1			
24	90101205008	BOLT	1		M5X8	
25	36160615020	WASHER	1			
26	90201200400	NUT	8		M4	
27	90302040401	WASHER, SPRING	8		4	
28	90303070401	WASHER, PLAIN	6		4	
29	80175105012	SCREW, MACHINE	4		M5X12	
30	90201200500	NUT	4		M5	
31	90302040501	WASHER, SPRING	4		5	
32	80175104012	SCREW, MACHINE	2		M4X12	
33	80172105008	SCREW, MACHINE	2		M5X8	
34	80172103006	SCREW, MACHINE	3		M3X6	
35	82100000080	CORD (1-LINE)	13	M		
50	36131310000	DETECTOR, BOOM LENGTH (BML, OPTION)	1			

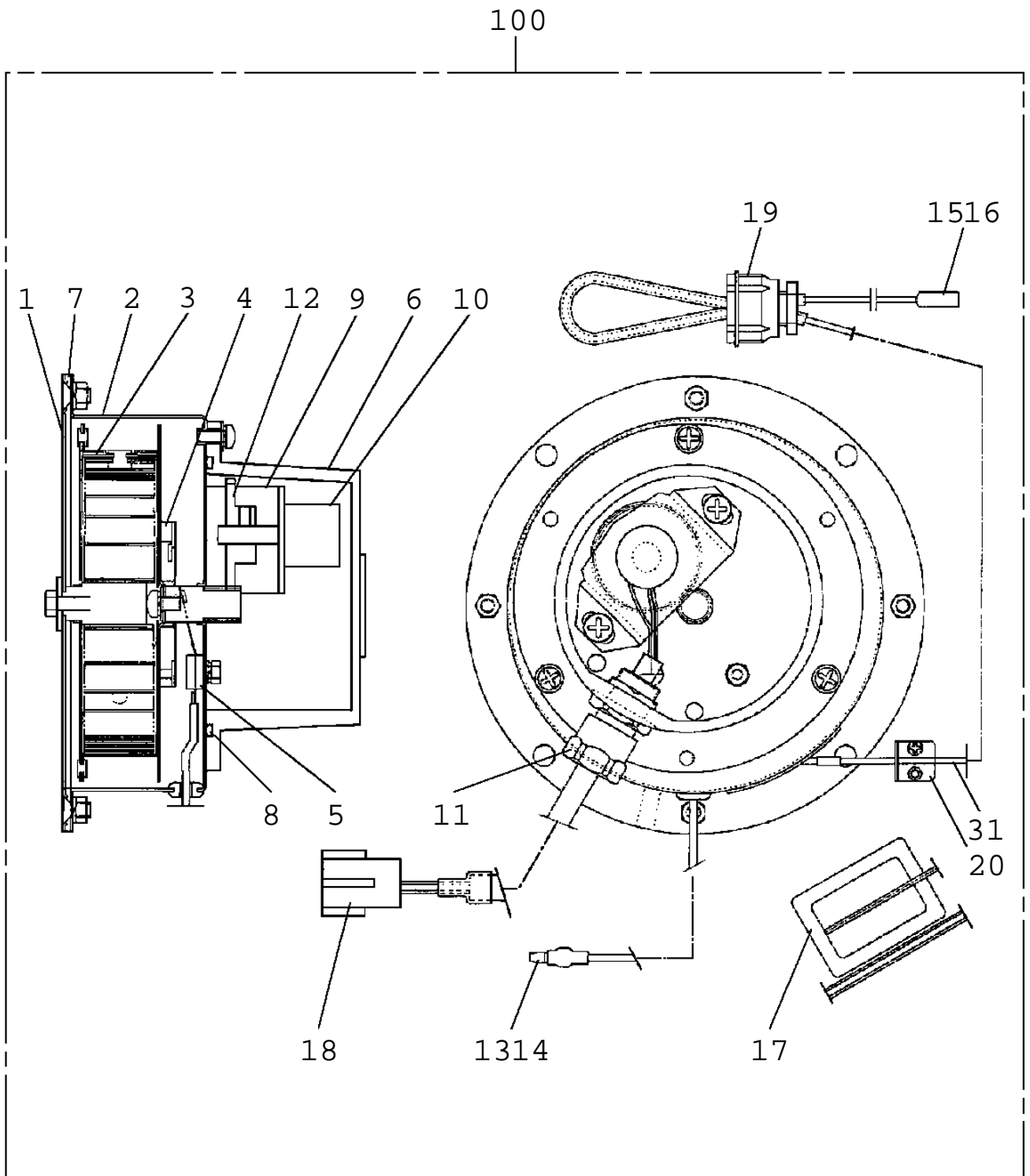
TM-ZF360 41102210360A FRAME/STD,REMOTE-RADIO CONT.,HOOK-IN
PG1130086-01 DETECTOR,BOOM LENGTH (BML,OPTION)



TM-ZF360 41102210360A FRAME/STD,REMOTE-RADIO CONT.,HOOK-IN

Pos No.	Parts No	Parts Name	Qty	Unit	Technical Data	Serial
1	36130235010	PLATE (BASE)	1			
2	36131385010	CASE	1			
3	36131385020	DRUM ASSY	1			
4	36131315040	RING ASSY (CONTACT)	1			
5	32360005060	CONTACTOR ASSY	1			
6	36131315050	CASE (POTENTIO)	1			
7	36131195020	PACKING	1			
8	91001209000	O-RING	1		1A G90	
9	36131315070	BRACKET	1			
10	36131315080	POTENTIOMETER	1			
11	36130915030	SEAL	1			
12	36130045090	CLIP (NYLON)	1			
13	82100000192	TERMINAL	1			
14	82100000182	INSULATOR	1			
15	82100000191	TERMINAL	1			
16	82100000183	INSULATOR	1			
17	31370005080	GUIDE (CORD)	1			
18	36131315110	CORD ASSY	1			
23	82100001406	CONNECTOR (SEAL)	1			
24	90101205008	BOLT	1		M5X8	
25	36160615020	WASHER	1			
26	90201200400	NUT	8		M4	
27	90302040401	WASHER, SPRING	8		4	
28	90303070401	WASHER, PLAIN	6		4	
29	80175105012	SCREW, MACHINE	4		M5X12	
30	90201200500	NUT	4		M5	
31	90302040501	WASHER, SPRING	4		5	
32	80175104012	SCREW, MACHINE	2		M4X12	
33	80172105008	SCREW, MACHINE	2		M5X8	
34	80172103006	SCREW, MACHINE	3		M3X6	
35	82100000080	CORD (1-LINE)	17	M		
50	36131380000	DETECTOR, BOOM LENGTH (BML, OPTION)	1			

TM-ZF360 41102210360A FRAME/STD,REMOTE-RADIO CONT.,HOOK-IN
PG1130134-00 DETECTOR,BOOM LENGTH

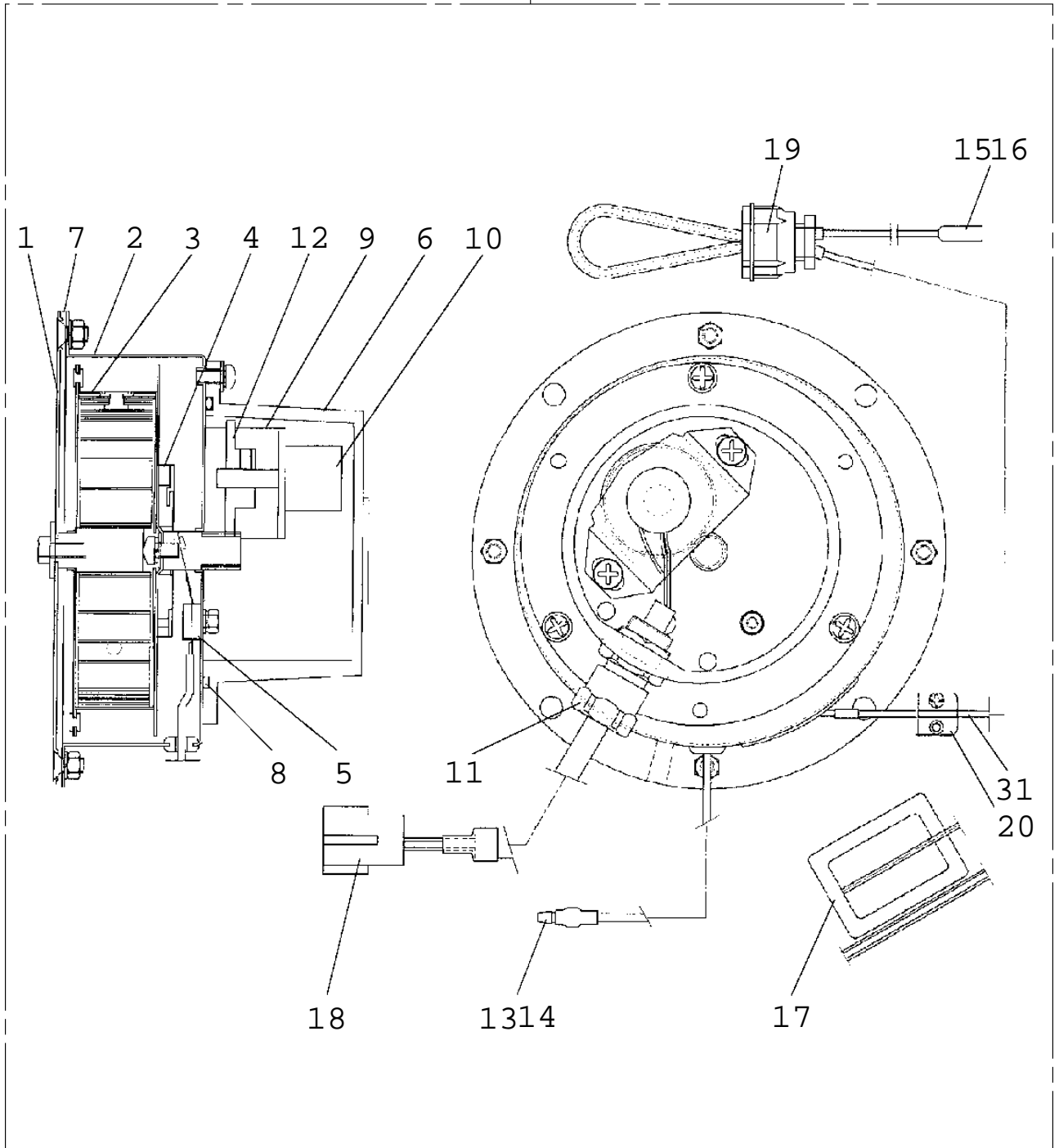


TM-ZF360 41102210360A FRAME/STD,REMOTE-RADIO CONT.,HOOK-IN

Pos No.	Parts No	Parts Name	Qty	Unit	Technical Data	Serial No (Start)
1	36131315010	PLATE (BASE)	1			
2	36131745020	CASE	1			
3	36131745030	DRUM ASSY	1			
4	32360005050	RING,SLIP	1			
5	32360005060	CONTACTOR ASSY	1			
6	36131745040	CASE	1			
7	36131745050	PACKING	1			
8	91001209000	O-RING	1		1A G90	
9	36131745060	BRACKET	1			
10	36131745010	POTENTIOMETER	1			
11	36130915030	SEAL	1			
12	36131745070	GEAR	1			
13	82100000192	TERMINAL	1			
14	36161185010	CAP	1			
15	82100000191	TERMINAL	1			
16	36131625050	CAP	1			
17	31370005080	GUIDE (CORD)	1			
18	36131745080	CORD ASSY	1			
19	82100001406	CONNECTOR (SEAL)	1			
20	36130795030	STOPPER	2			
31	36131745090	CORD	13	M		
100	36131740000	DETECTOR,BOOM LENGTH	1			

TM-ZF360 41102210360A FRAME/STD,REMOTE-RADIO CONT.,HOOK-IN
PG1130135-00 DETECTOR,BOOM LENGTH

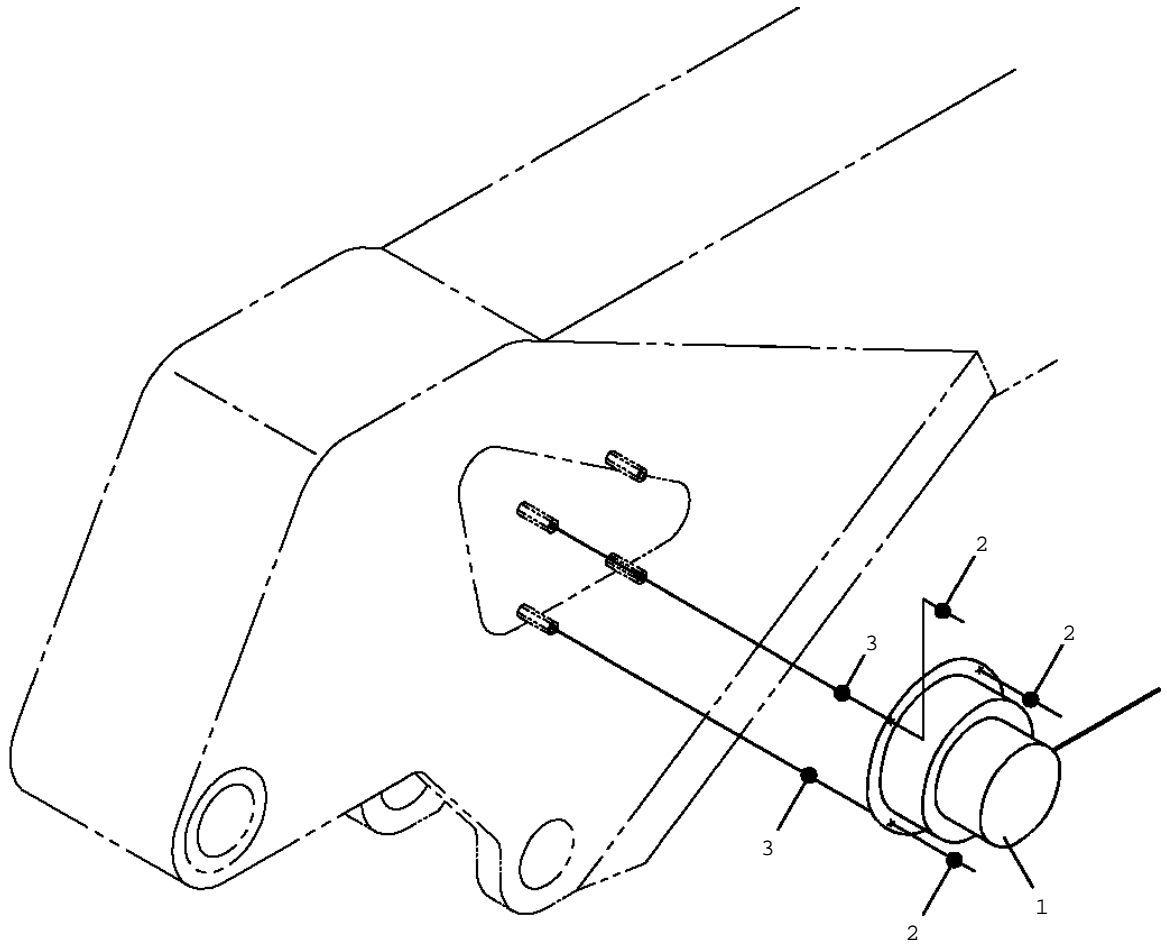
100



TM-ZF360 41102210360A FRAME/STD,REMOTE-RADIO CONT.,HOOK-IN

Pos No.	Parts No	Parts Name	Qty	Unit	Technical Data	Serial No (Start)
1	36130235010	PLATE (BASE)	1			
2	36131755010	CASE	1			
3	36131755020	DRUM ASSY	1			
4	32360005050	RING,SLIP	1			
5	32360005060	CONTACTOR ASSY	1			
6	36131745040	CASE	1			
7	31370105030	PACKING	1			
8	91001209000	O-RING	1		1A G90	
9	36131745060	BRACKET	1			
10	36131745010	POTENTIOMETER	1			
11	36130915030	SEAL	1			
12	36131745070	GEAR	1			
13	82100000192	TERMINAL	1			
14	36161185010	CAP	1			
15	82100000191	TERMINAL	1			
16	36131625050	CAP	1			
17	31370005080	GUIDE (CORD)	1			
18	36131745080	CORD ASSY	1			
19	82100001406	CONNECTOR (SEAL)	1			
20	36130795030	STOPPER	2			
31	36131745090	CORD	17	M		
100	36131750000	DETECTOR,BOOM LENGTH	1			

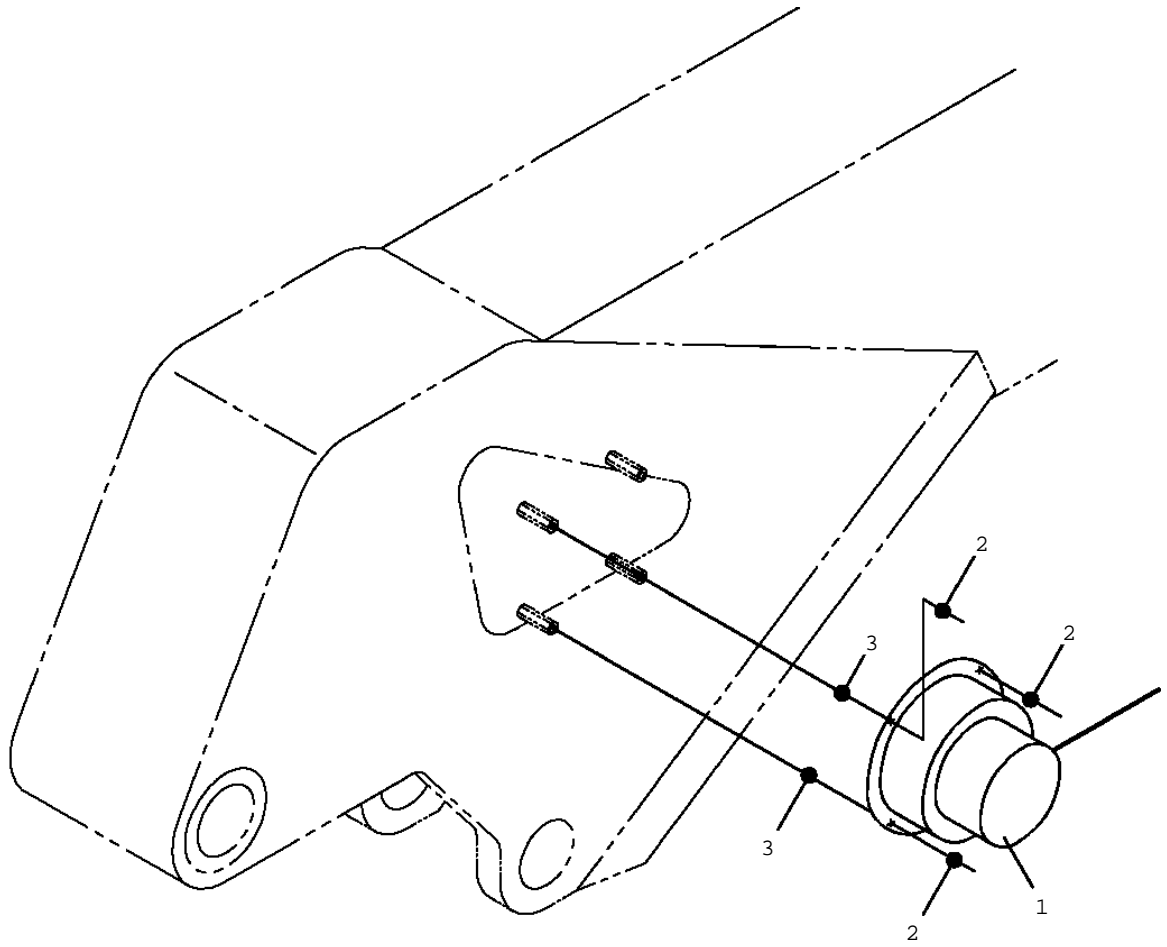
TM-ZF360 41102210360A FRAME/STD,REMOTE-RADIO CONT.,HOOK-IN
PG1130144-00 DETECTOR,BOOM LENGTH (MOUNT)



TM-ZF360 41102210360A FRAME/STD,REMOTE-RADIO CONT.,HOOK-IN

Pos No.	Parts No	Parts Name	Qty	Unit	Technical Data	Serial No (Start)
1	36131740000	DETECTOR,BOOM LENGTH	1			
2	90186206010	BOLT,FLANGE	4		M6X10	
3	90303070601	WASHER,PLAIN	3		6	

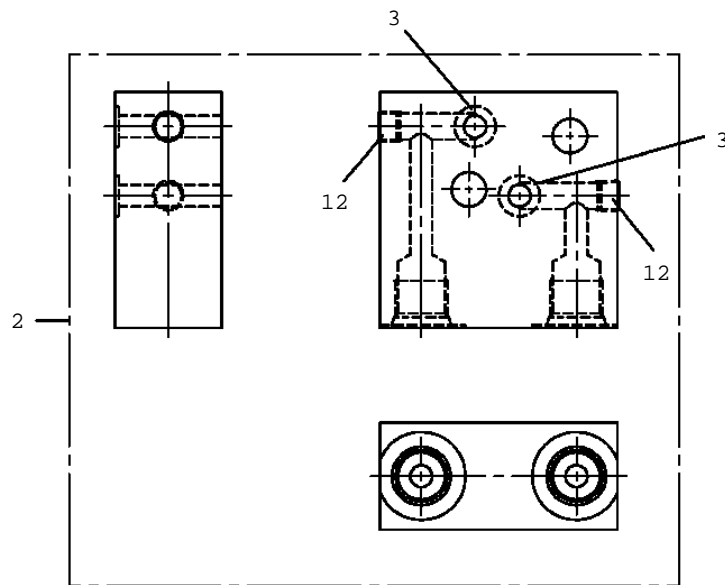
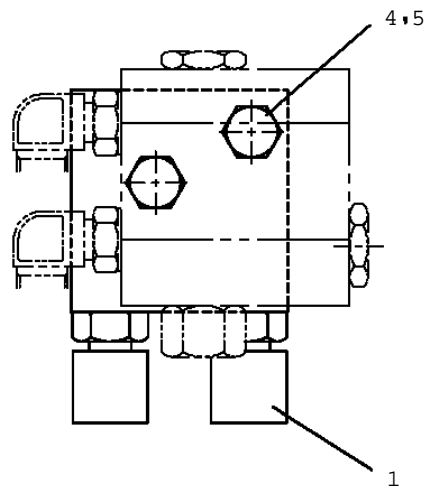
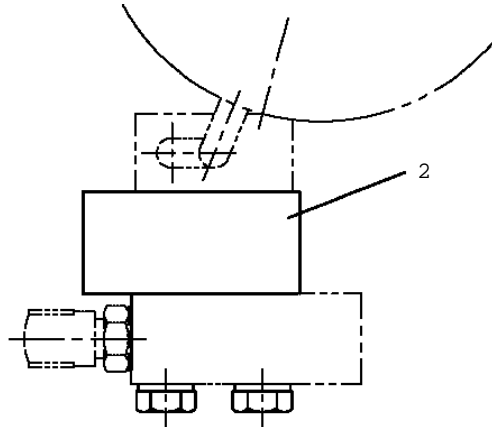
TM-ZF360 41102210360A FRAME/STD,REMOTE-RADIO CONT.,HOOK-IN
PG1130145-00 DETECTOR,BOOM LENGTH (MOUNT)



TM-ZF360 41102210360A FRAME/STD,REMOTE-RADIO CONT.,HOOK-IN

Pos No.	Parts No	Parts Name	Qty	Unit	Technical Data	Serial No (Start)
1	36131750000	DETECTOR,BOOM LENGTH	1			
2	90186206010	BOLT,FLANGE	4		M6X10	
3	90303070601	WASHER,PLAIN	3		6	

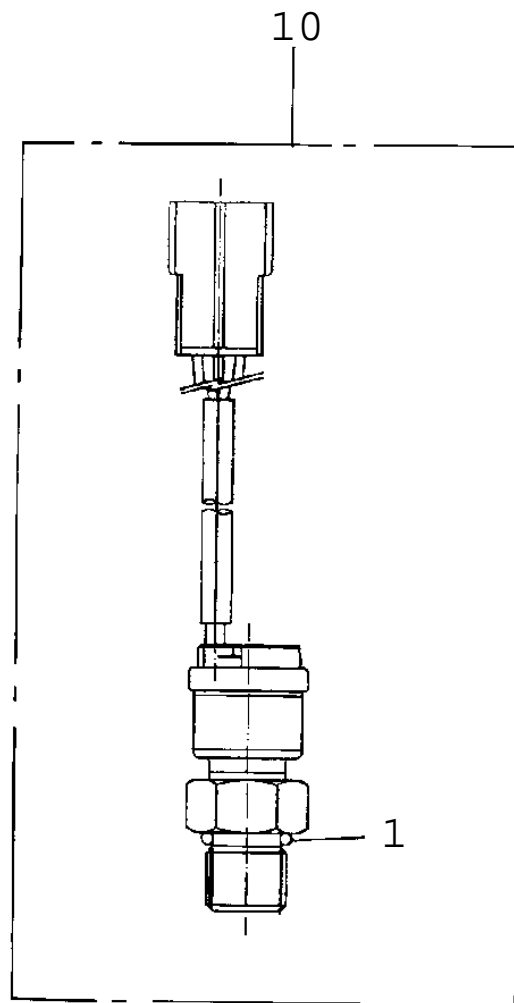
TM-ZF360 41102210360A FRAME/STD,REMOTE-RADIO CONT.,HOOK-IN
PH1010007-01 DETECTOR,LOAD (BML,OPTION)



TM-ZF360 41102210360A FRAME/STD,REMOTE-RADIO CONT.,HOOK-IN

Pos No.	Parts No	Parts Name	Qty	Unit	Technical Data	Serial No (Start)	Serial
1	36150050000	DETECTOR,LOAD	2				
2	31360205100	JOINT	1				
3	91002801000	O-RING	4		1B P10		
4	90171110080	BOLT	2		M10X80		
5	90302041001	WASHER,SPRING	2		10		
12	80316030020	PLUG	2		PT1/8		

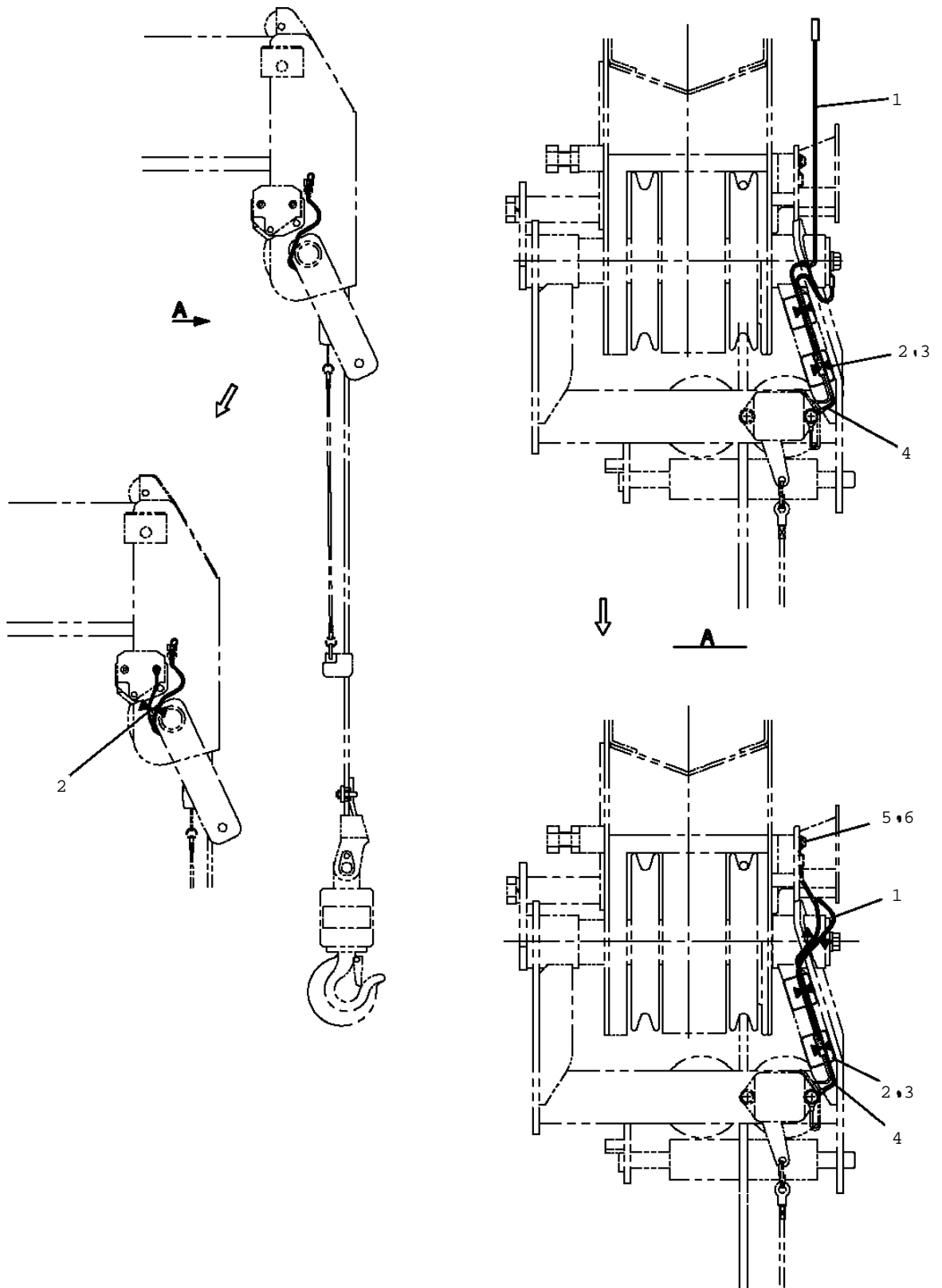
TM-ZF360 41102210360A FRAME/STD,REMOTE-RADIO CONT.,HOOK-IN
PH1010008-00 DETECTOR,LOAD



TM-ZF360 41102210360A FRAME/STD,REMOTE-RADIO CONT.,HOOK-IN

Pos No.	Parts No	Parts Name	Qty	Unit	Technical Data	Serial No (Start)	Serial
1	91002801400	O-RING	1		1B P14		
10	36150050000	DETECTOR,LOAD	1				

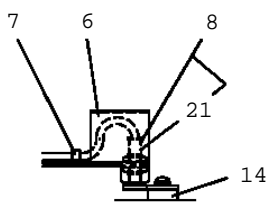
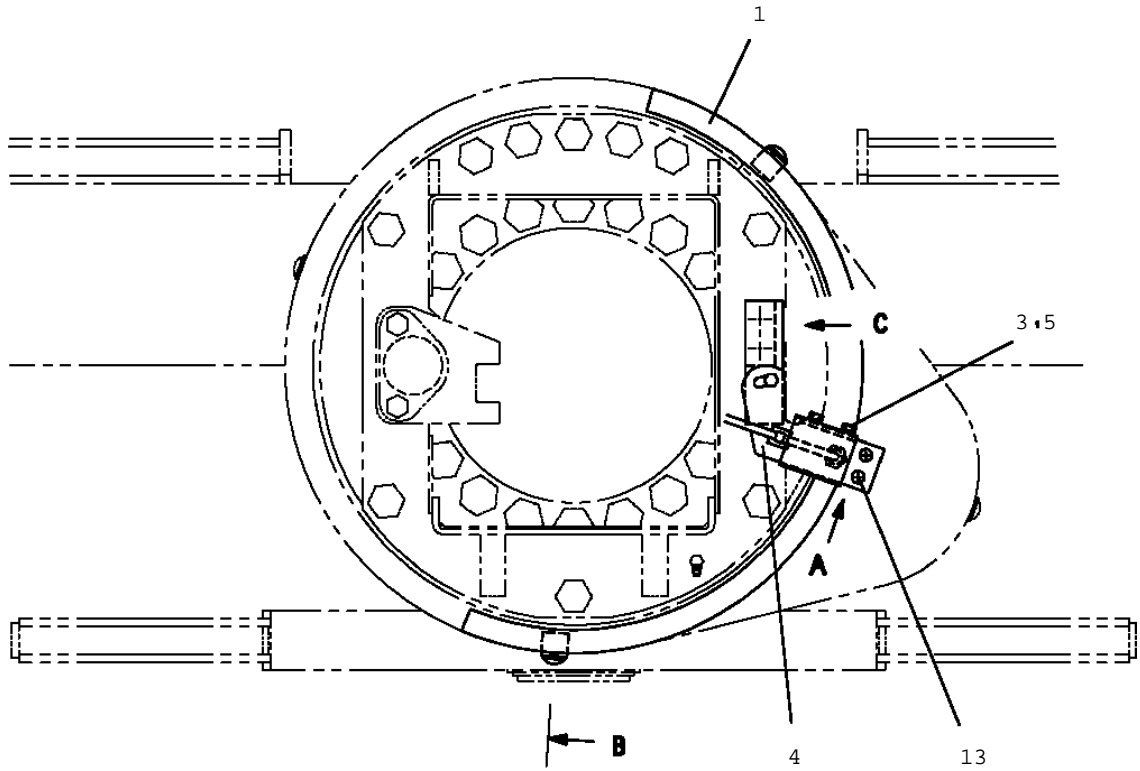
TM-ZF360 41102210360A FRAME/STD,REMOTE-RADIO CONT.,HOOK-IN
PH1060266-01 DETECTOR,OVER WINDING (OPTION)



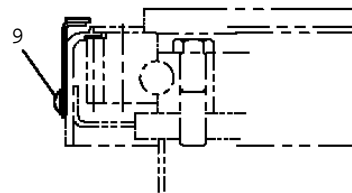
TM-ZF360 41102210360A FRAME/STD,REMOTE-RADIO CONT.,HOOK-IN

Pos No.	Parts No	Parts Name	Qty	Unit	Technical Data	Serial No (Start)	Serial
1	31440232500	HARNES	1				
2	91810130230	FASTENER	3				
3	82401601002	CLAMP	2				
4	31440232400	HARNES	1				
5	80182306014	SCREW, MACHINE	1		M6X14		
6	90302040601	WASHER, SPRING	1		6		

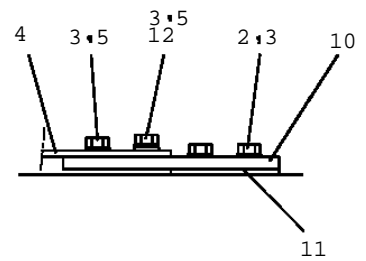
TM-ZF360 41102210360A FRAME/STD,REMOTE-RADIO CONT.,HOOK-IN
 PH1100053-00 DETECTOR,OVER FRONT AREA (BML,OPTION)



A



B

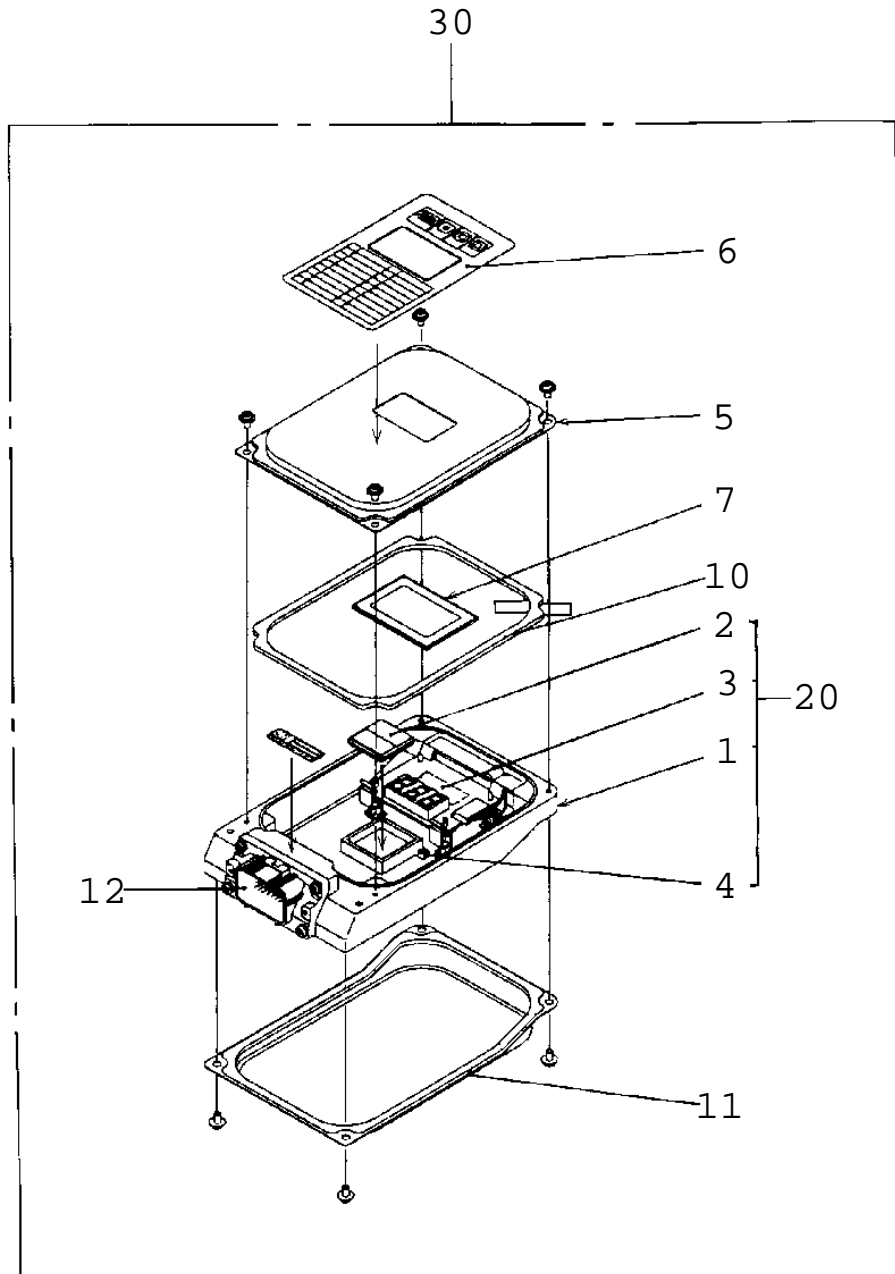


C

TM-ZF360 41102210360A FRAME/STD,REMOTE-RADIO CONT.,HOOK-IN

Pos No.	Parts No	Parts Name	Qty	Unit	Technical Data	Serial No (
1	31360203101	SUPPORT	1			
2	90201200600	NUT	2		M6	
3	90302040601	WASHER,SPRING	6		6	
4	31360203201	SUPPORT	1			
5	90101206010	BOLT	4		M6X1.0	
6	31360203301	COVER	1			
7	82401600506	CLAMP	1			
8	31360203400	SWITCH ASSY	1			
9	80183308016	SCREW,MACHINE	2		M8X16	
10	31360203501	PLATE	1			
11	31360203600	PLATE	1			
12	90303070601	WASHER,PLAIN	1		6	
13	80192486014	SCREW,MACHINE (WITH WASHER)	2		M6X14	
14	31360203700	PLATE	1			
21	82108101090	SWITCH	1			

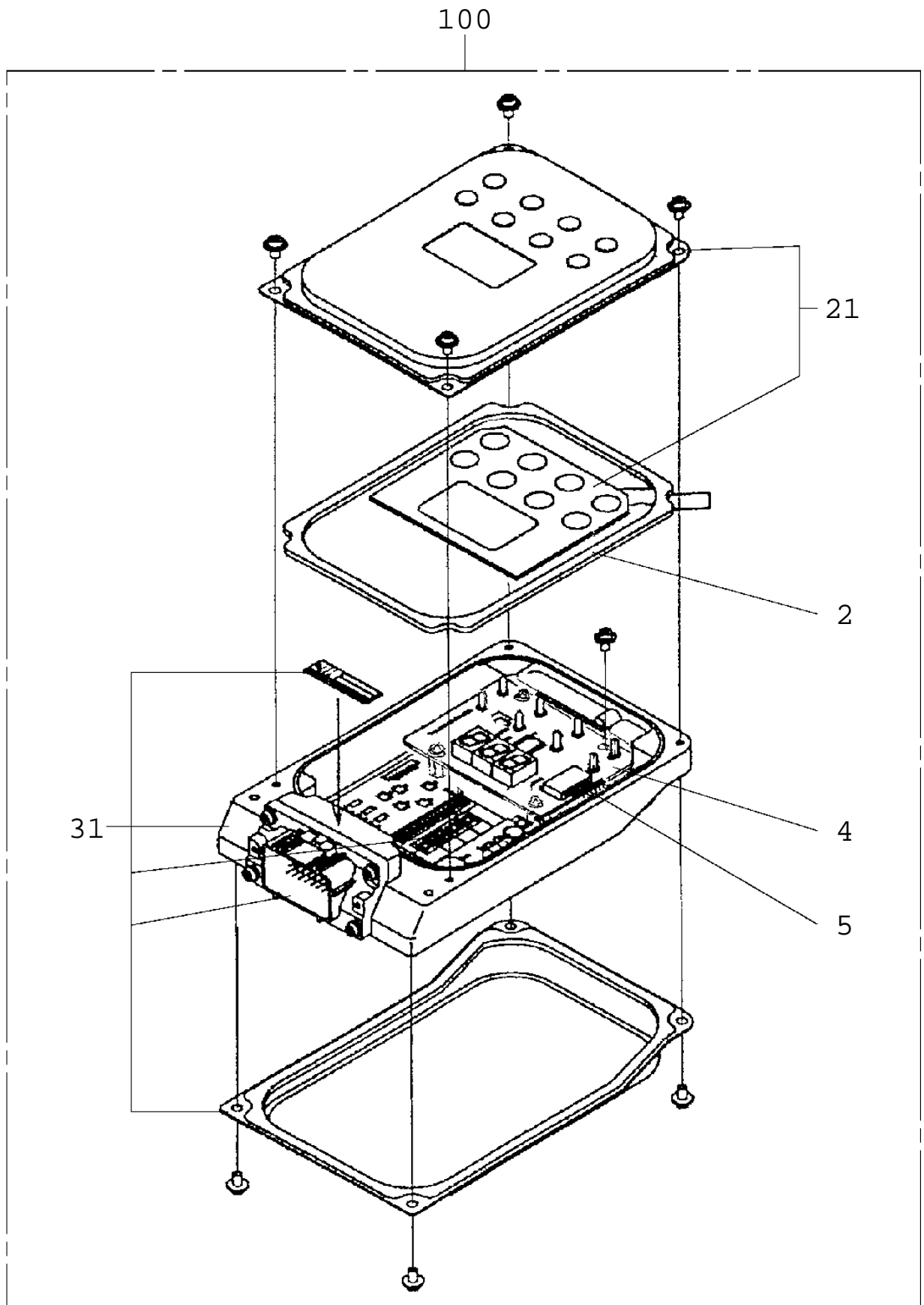
TM-ZF360 41102210360A FRAME/STD,REMOTE-RADIO CONT.,HOOK-IN
PH1250033-01 MOMENT LIMITER (BML-PB)



TM-ZF360 41102210360A FRAME/STD,REMOTE-RADIO CONT.,HOOK-IN

Pos No.	Parts No	Parts Name	Qty	Unit	Technical Data	Serial No (St
1	36116895020	BOARD ASSY	1			
2	(*****)	P-ROM	1			
3	(*****)	P-ROM	1			
4	36117315030	SOCKET	2			
5	36117315040	COVER (TOP)	1			
6	36117315050	PLATE,NAME	1			
7	36117315060	SCREEN	1			
10	36116551300	CUSHION	1			
11	36116551400	COVER (BASE)	1			
12	36116551500	CONNECTOR	1			
20	36118065010	BODY KIT	1			
30	36118060000	MOMENT LIMITER (BML-PB)	1			

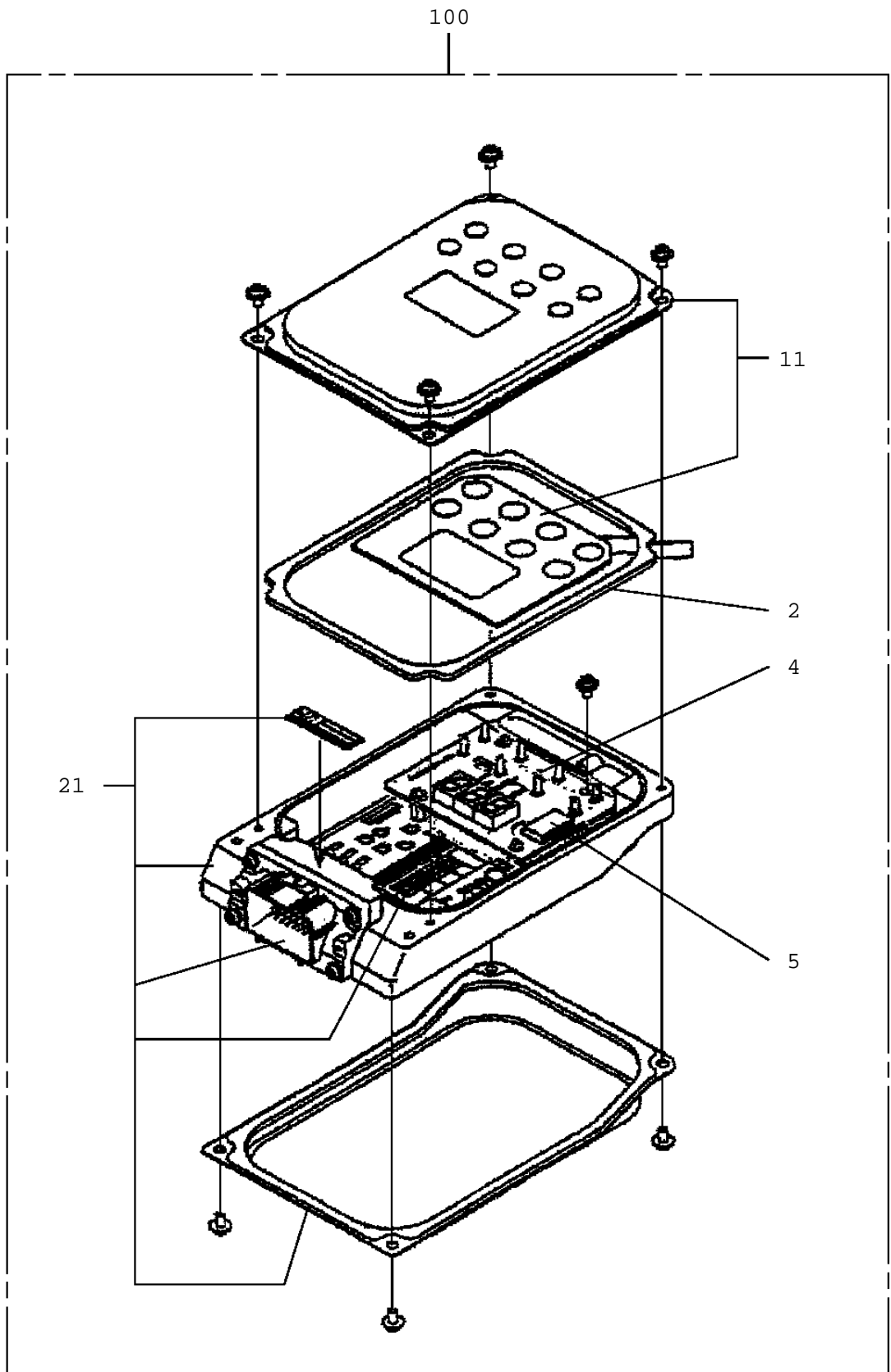
TM-ZF360 41102210360A FRAME/STD,REMOTE-RADIO CONT.,HOOK-IN
PH1250066-00 MOMENT LIMITER (BML)



TM-ZF360 41102210360A FRAME/STD,REMOTE-RADIO CONT.,HOOK-IN

Pos No.	Parts No	Parts Name	Qty	Unit	Technical Data	Serial No (Start)
2	36116551300	CUSHION	1			
4	36190835020	BOARD,CIRCUIT	1			
5	36190835030	HARNESS	1			
21	36190835010	COVER ASSY	1			
31	36192685010	CPU UNIT (WITH DATA)	1			
100	36192680000	MOMENT LIMITER (BML)	1			

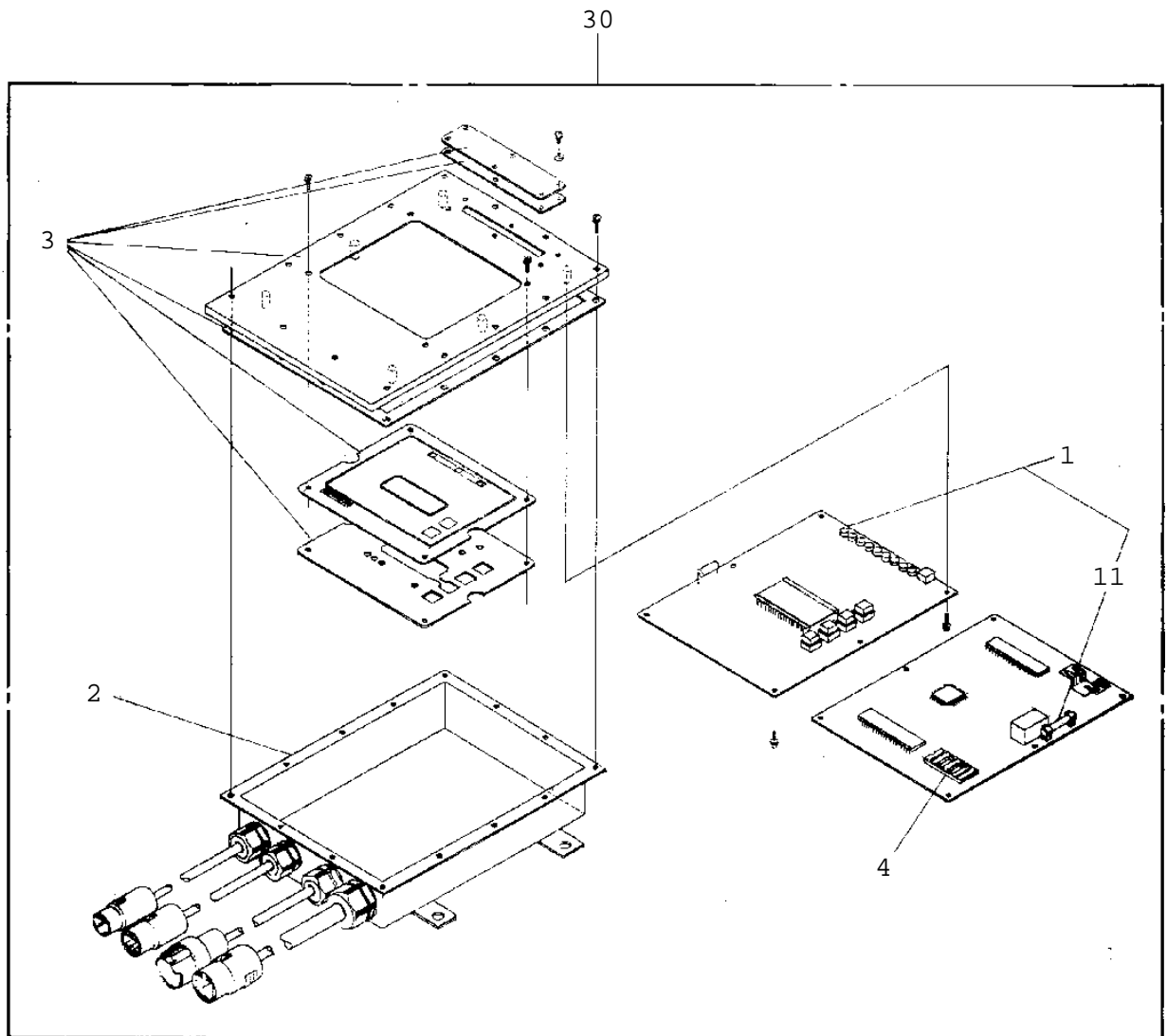
TM-ZF360 41102210360A FRAME/STD,REMOTE-RADIO CONT.,HOOK-IN
PH1250115-00 MOMENT LIMITER (BML)



TM-ZF360 41102210360A FRAME/STD,REMOTE-RADIO CONT.,HOOK-IN

Pos No.	Parts No	Parts Name	Qty	Unit	Technical Data	Serial No (Start)
2	36116551300	CUSHION	1			
4	36190831930	BOARD,CIRCUIT	1			
5	36190831940	HARNESS	1			
11	36190831800	COVER	1			
21	36194665010	CPU UNIT (WITH DATA)	1			
100	36194660000	MOMENT LIMITER (BML)	1			

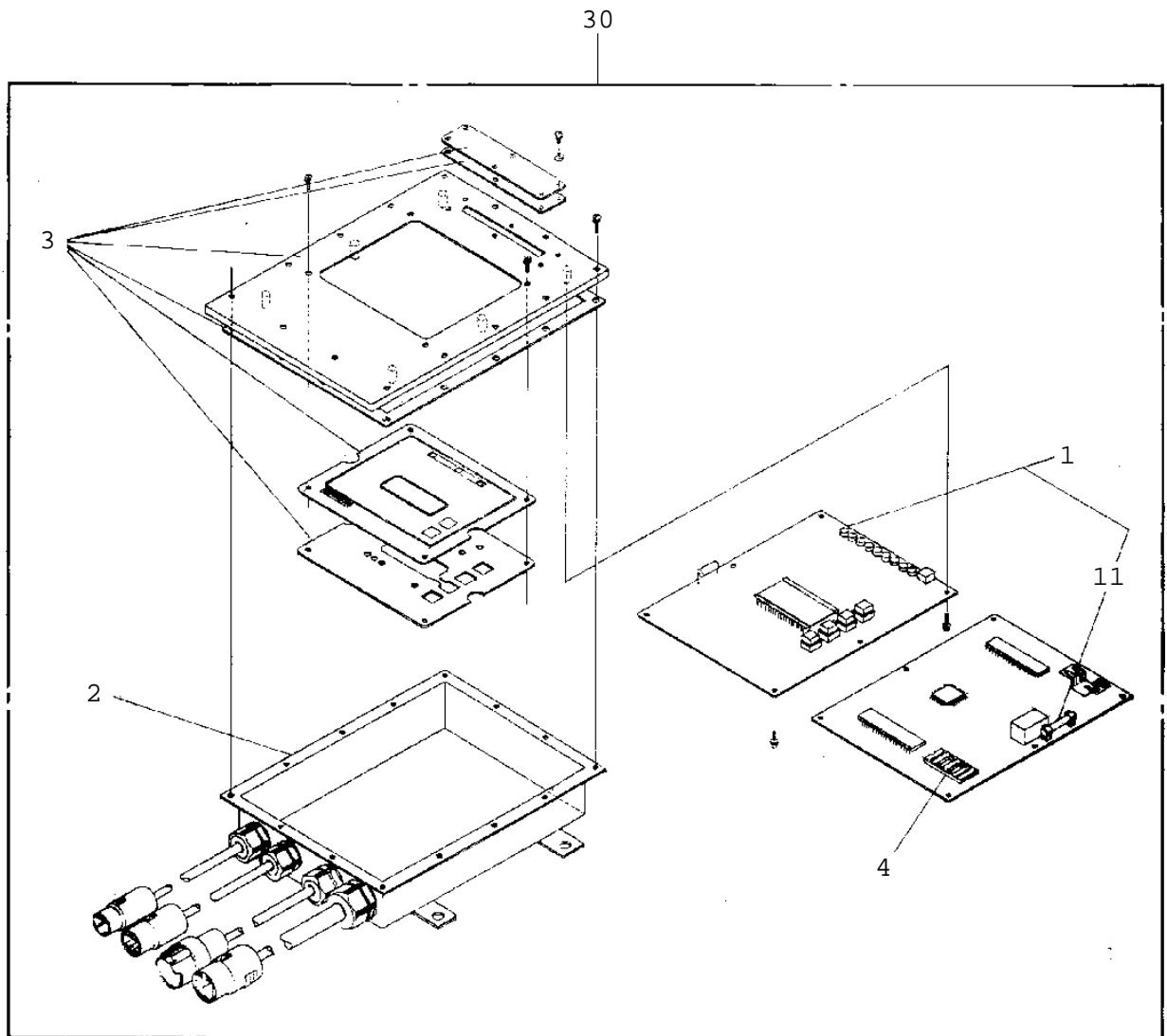
TM-ZF360 41102210360A FRAME/STD,REMOTE-RADIO CONT.,HOOK-IN
PH1350007-00 WORKING AREA LIMITER (AWL-N)



TM-ZF360 41102210360A FRAME/STD,REMOTE-RADIO CONT.,HOOK-IN

Pos No.	Parts No	Parts Name	Qty	Unit	Technical Data	S
1	36117095010	BOARD,CPU & DISPLAY (WITHOUT P-ROM)	1			
2	36117675010	CASE ASSY	1			
3	36117675020	COVER ASSY	1			
4	(*****)	P-ROM	1			
30	36117090000	WORKING AREA LIMITER (AWL-N)	1			

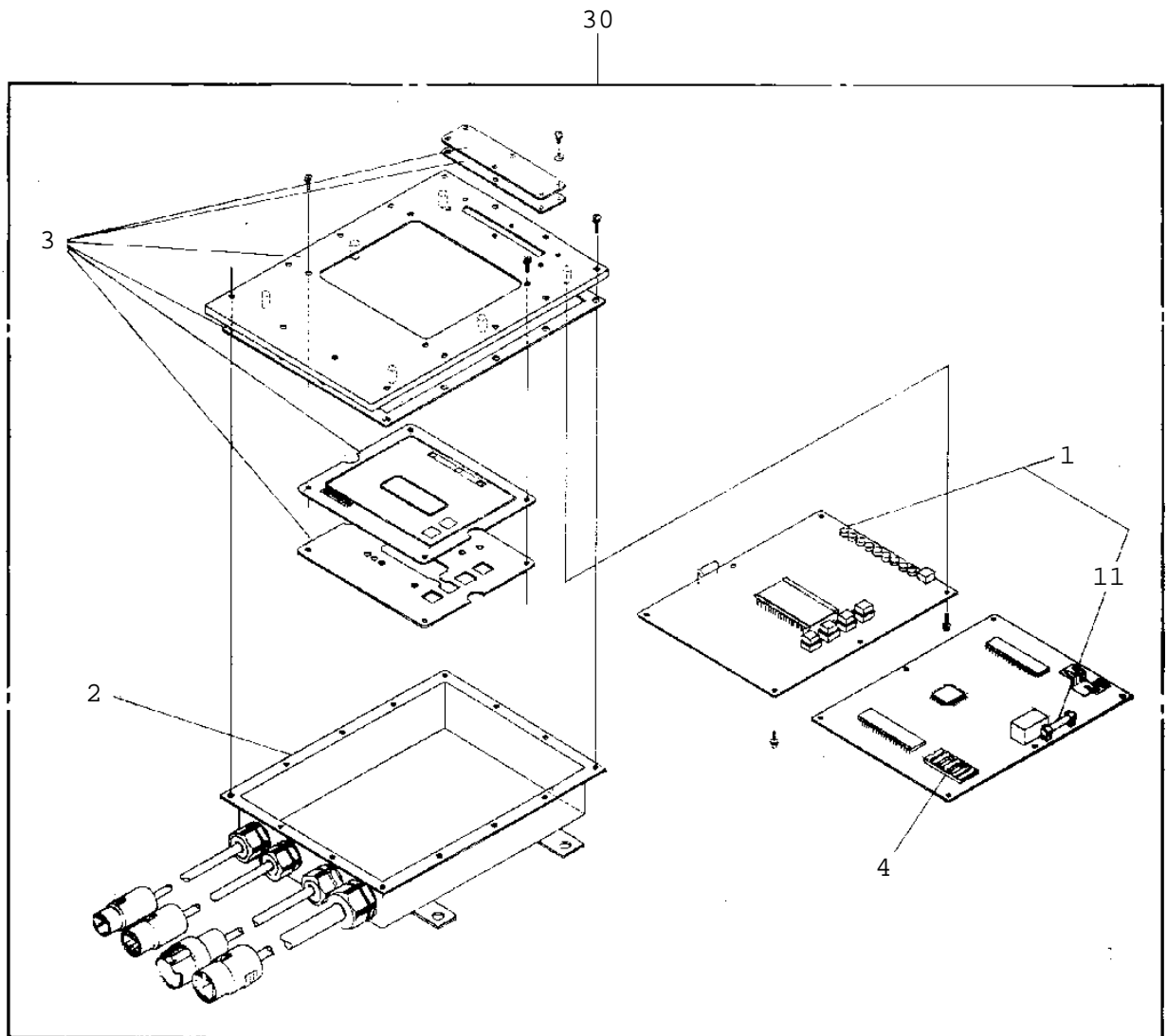
TM-ZF360 41102210360A FRAME/STD,REMOTE-RADIO CONT.,HOOK-IN
PH1350007-00 WORKING AREA LIMITER (AWL-N)



TM-ZF360 41102210360A FRAME/STD,REMOTE-RADIO CONT.,HOOK-IN

Pos No.	Parts No	Parts Name	Qty	Unit	Technical Data	S
1	36117095010	BOARD,CPU & DISPLAY (WITHOUT P-ROM)	1			
2	36117675010	CASE ASSY	1			
3	36117675020	COVER ASSY	1			
4	(*****)	P-ROM	1			
30	36117770000	WORKING AREA LIMITER (AWL-N)	1			

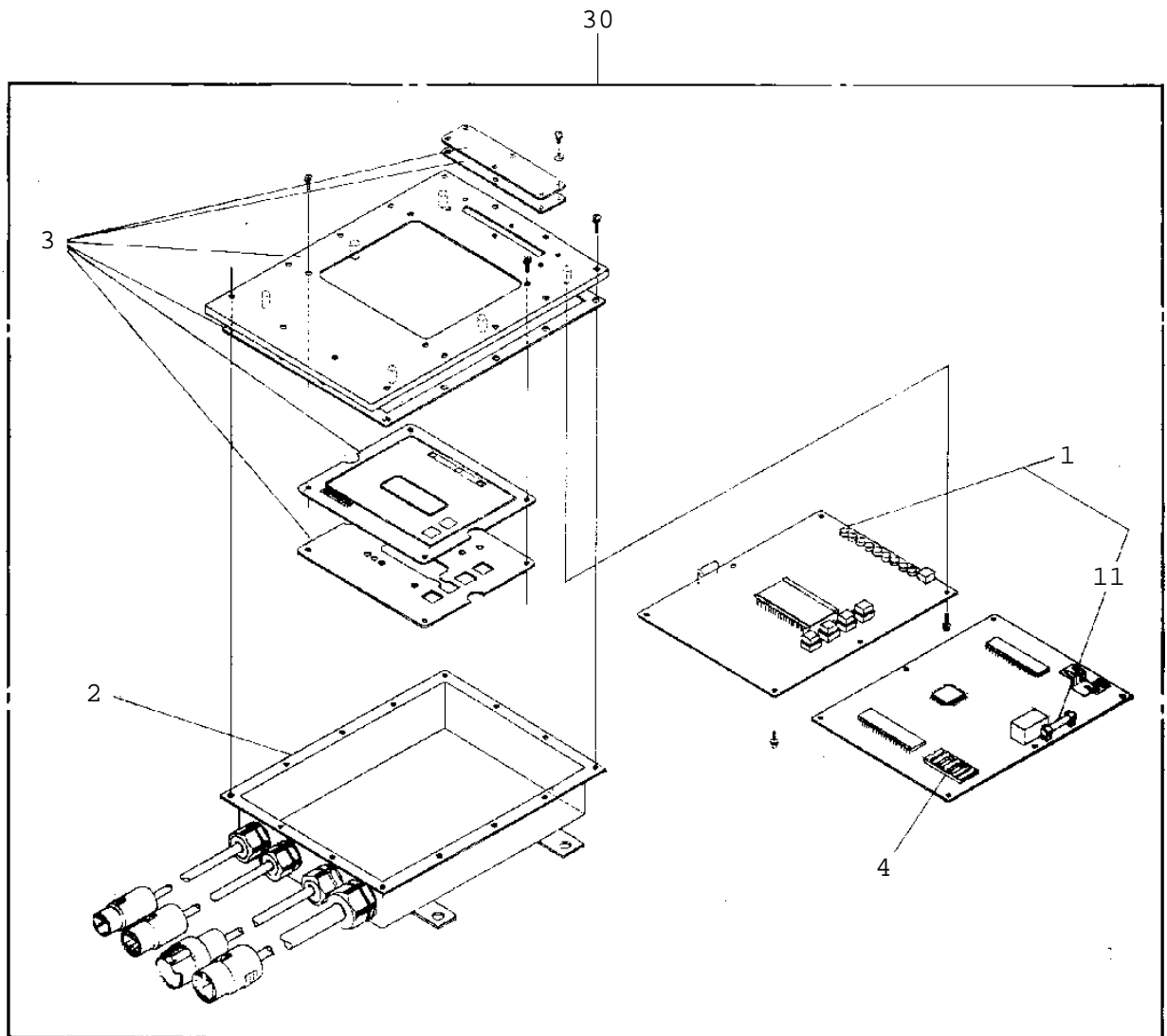
TM-ZF360 41102210360A FRAME/STD,REMOTE-RADIO CONT.,HOOK-IN
PH1350007-00 WORKING AREA LIMITER (AWL-N)



TM-ZF360 41102210360A FRAME/STD,REMOTE-RADIO CONT.,HOOK-IN

Pos No.	Parts No	Parts Name	Qty	Unit	Technical Data	S
1	36117095010	BOARD,CPU & DISPLAY (WITHOUT P-ROM)	1			
2	36117675010	CASE ASSY	1			
3	36117675020	COVER ASSY	1			
4	(*****)	P-ROM	1			
30	36117810000	WORKING AREA LIMITER (AWL-N)	1			

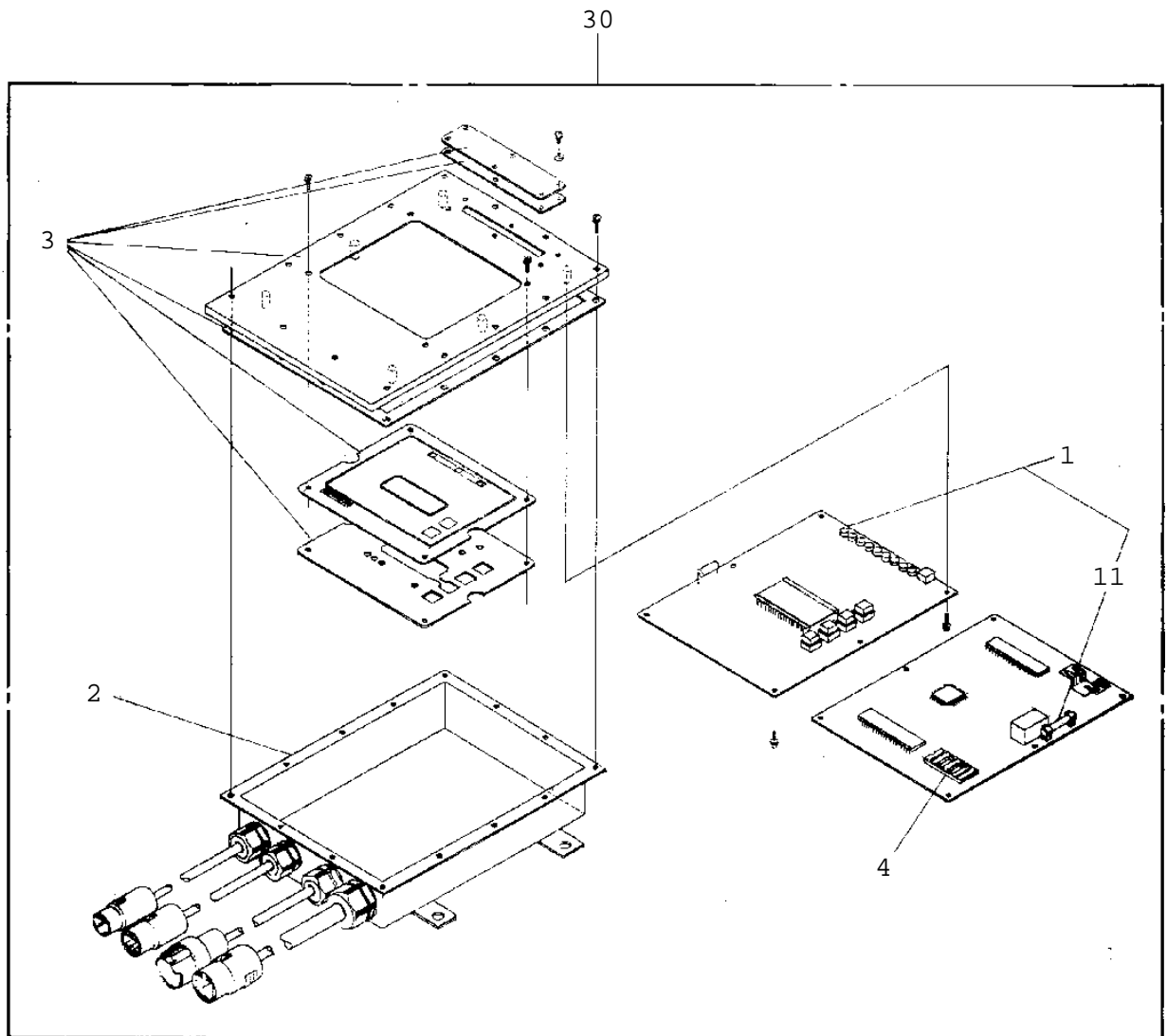
TM-ZF360 41102210360A FRAME/STD,REMOTE-RADIO CONT.,HOOK-IN
PH1350007-00 WORKING AREA LIMITER (AWL-N)



TM-ZF360 41102210360A FRAME/STD,REMOTE-RADIO CONT.,HOOK-IN

Pos No.	Parts No	Parts Name	Qty	Unit	Technical Data	S
1	36117095010	BOARD,CPU & DISPLAY (WITHOUT P-ROM)	1			
2	36117675010	CASE ASSY	1			
3	36117675020	COVER ASSY	1			
4	(*****)	P-ROM	1			
30	36117840000	WORKING AREA LIMITER (AWL-N)	1			

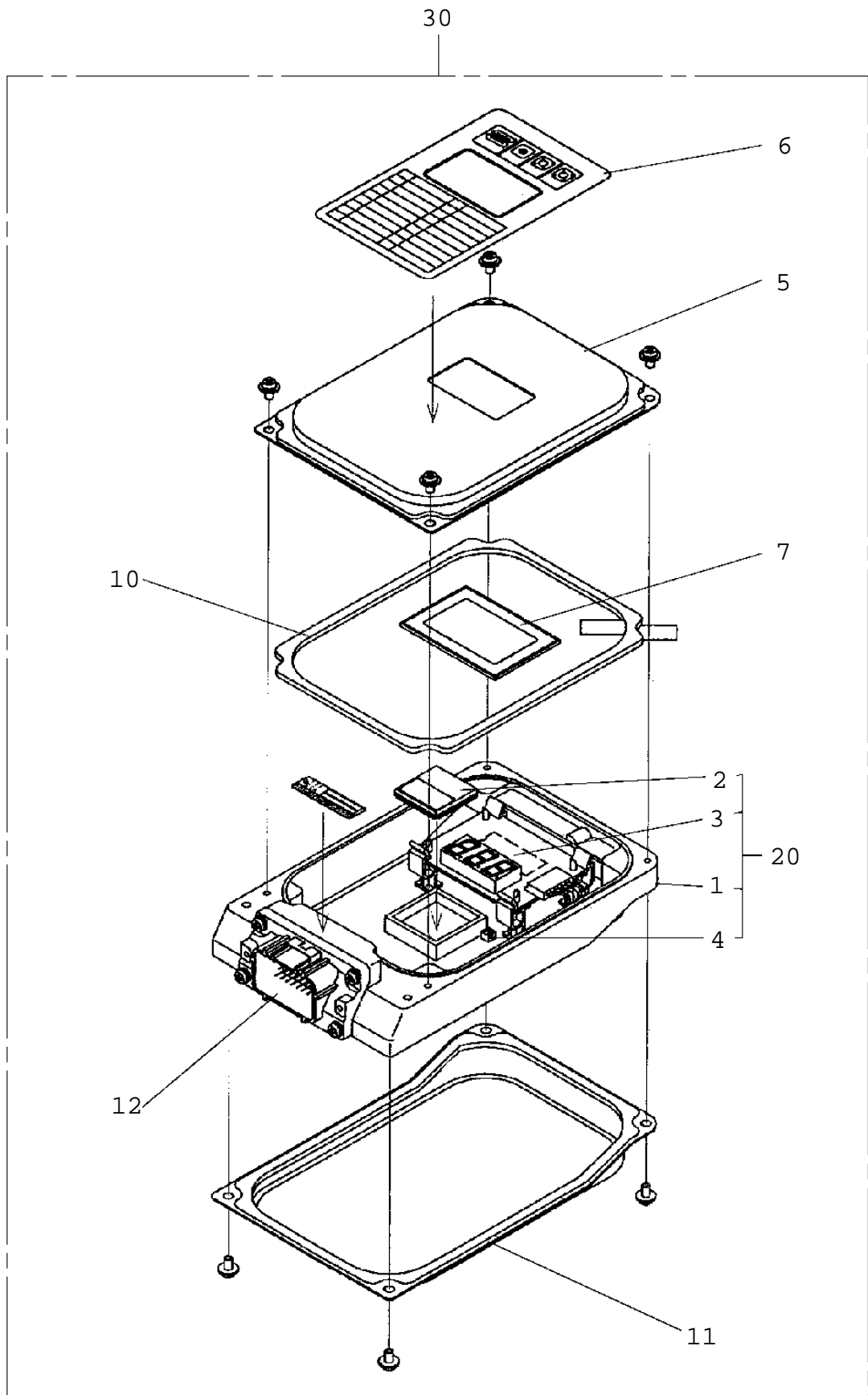
TM-ZF360 41102210360A FRAME/STD,REMOTE-RADIO CONT.,HOOK-IN
PH1350007-00 WORKING AREA LIMITER (AWL-N)



TM-ZF360 41102210360A FRAME/STD,REMOTE-RADIO CONT.,HOOK-IN

Pos No.	Parts No	Parts Name	Qty	Unit	Technical Data	S
1	36117095010	BOARD,CPU & DISPLAY (WITHOUT P-ROM)	1			
2	36117675010	CASE ASSY	1			
3	36117675020	COVER ASSY	1			
4	(*****)	P-ROM	1			
30	36117990000	WORKING AREA LIMITER (AWL-N)	1			

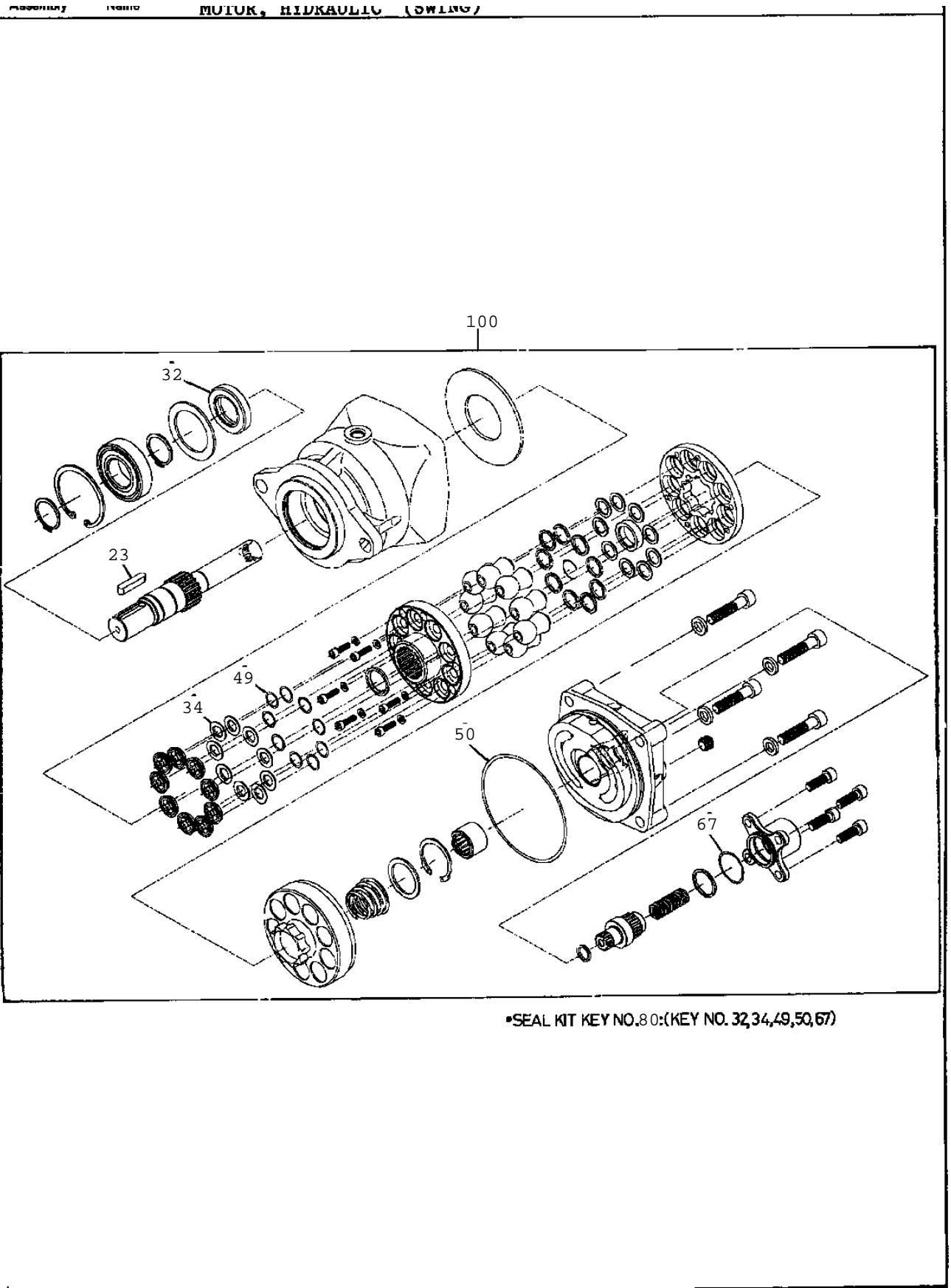
TM-ZF360 41102210360A FRAME/STD,REMOTE-RADIO CONT.,HOOK-IN
PH1350015-00 WORKING AREA LIMITER



TM-ZF360 41102210360A FRAME/STD,REMOTE-RADIO CONT.,HOOK-IN

Pos No.	Parts No	Parts Name	Qty	Unit	Technical Data	Serial No (Start
1	36116895020	BOARD ASSY	1			
2	(*****)	P-ROM	1			
3	(*****)	P-ROM	1			
4	36117315030	SOCKET	2			
5	36117315040	COVER (TOP)	1			
6	36117315050	PLATE,NAME	1			
7	36117315060	SCREEN	1			
10	36116551300	CUSHION	1			
11	36116551400	COVER (BASE)	1			
12	36116551500	CONNECTOR	1			
20	36118915010	BODY KIT	1			
30	36118910000	WORKING AREA LIMITER	1			

TM-ZF360 41102210360A FRAME/STD,REMOTE-RADIO CONT.,HOOK-IN
PI1010077-01 MOTOR,HYDRAULIC (SWING)

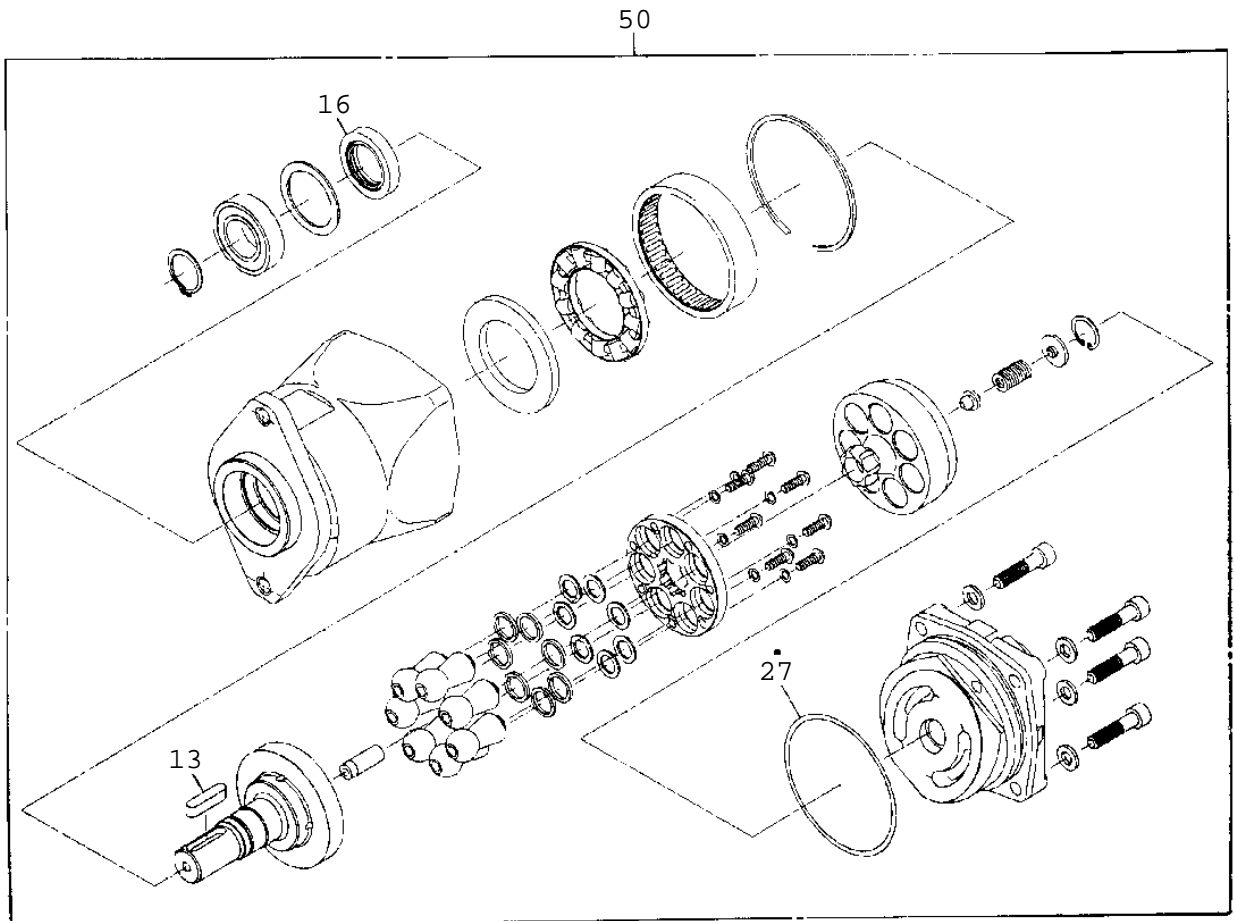


*SEAL KIT KEY NO.80:(KEY NO. 32,34,49,50,67)

TM-ZF360 41102210360A FRAME/STD,REMOTE-RADIO CONT.,HOOK-IN

Pos No.	Parts No	Parts Name	Qty	Unit	Technical Data	Serial No (Star
23	36662385020	KEY	1			
32	36661665010	SEAL,OIL	1			
34	36662425010	RING,BACKUP	9			
49	36662425020	O-RING	9			
50	36661665020	O-RING	1		G110	
67	36662385010	O-RING	1			
80	36662385030	SEAL KIT	1			
100	36662380000	MOTOR,HYDRAULIC (SWING)	1			

TM-ZF360 41102210360A FRAME/STD,REMOTE-RADIO CONT.,HOOK-IN
PI1010087-00 MOTOR,HYDRAULIC (WINCH)

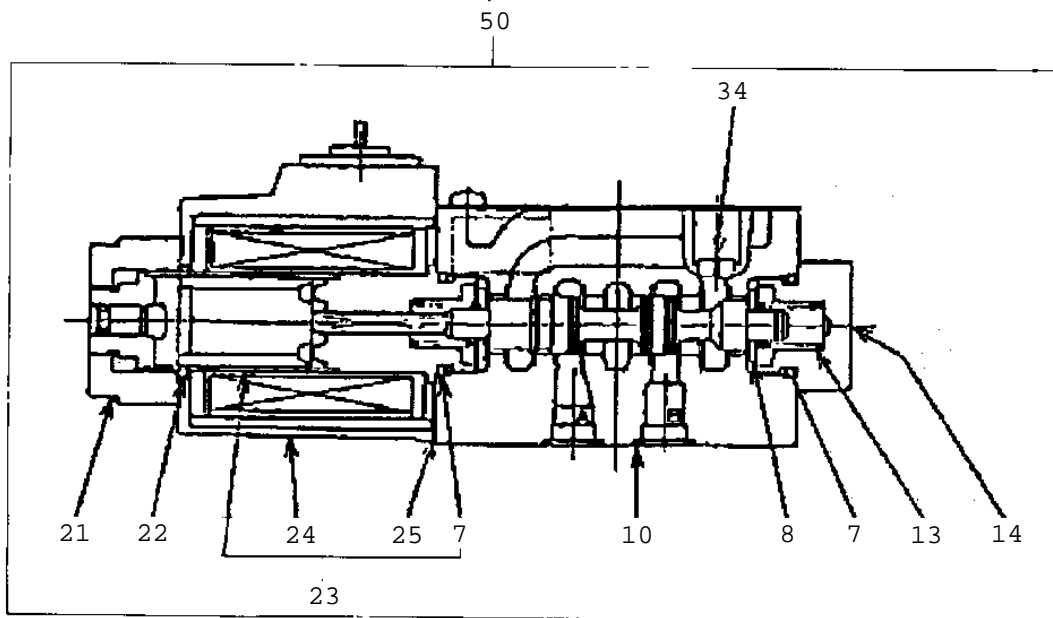
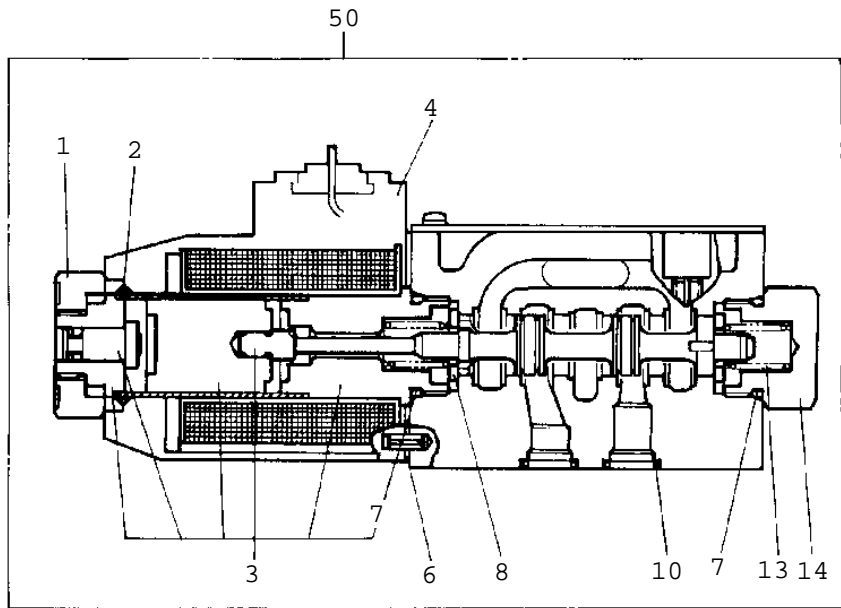


•SEAL KIT KEY NO.40(KEY NO.1627)

TM-ZF360 41102210360A FRAME/STD,REMOTE-RADIO CONT.,HOOK-IN

Pos No.	Parts No	Parts Name	Qty	Unit	Technical Data	Serial No (Star
13	36662185010	KEY (FEATHER)	1			
40	36662415020	SEAL KIT	1			
50	36662180000	MOTOR,HYDRAULIC (WINCH)	1			

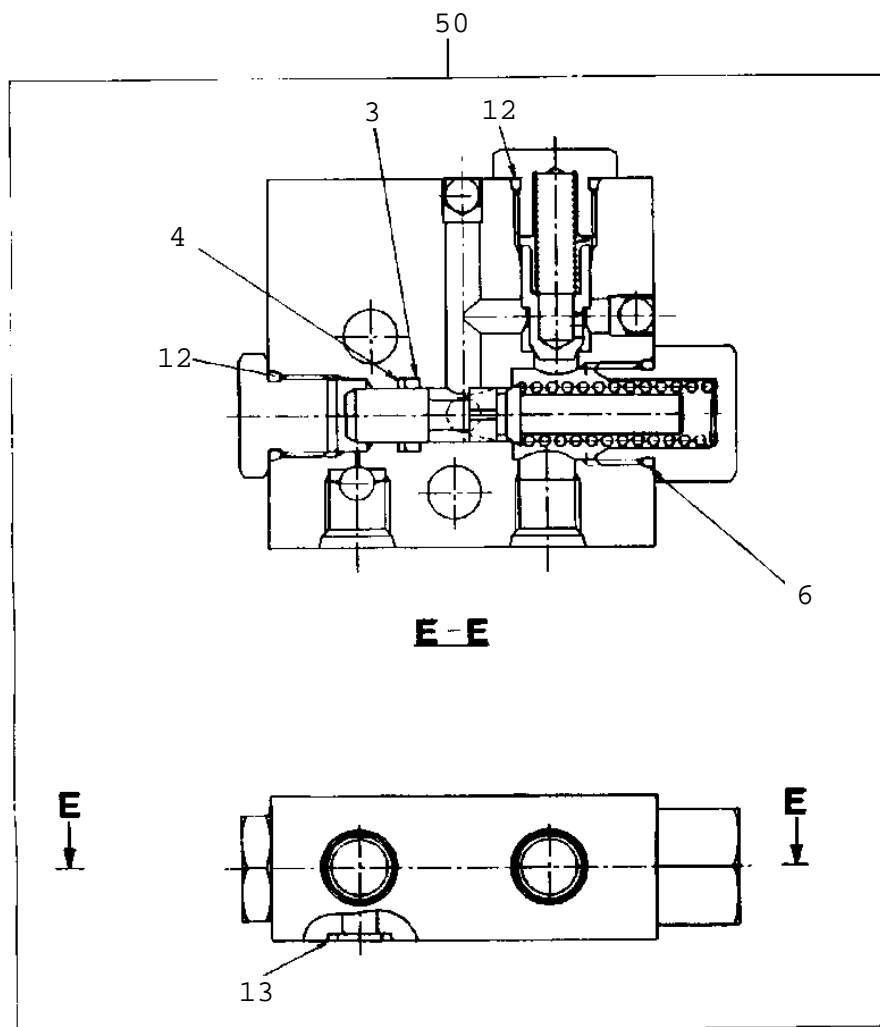
TM-ZF360 41102210360A FRAME/STD,REMOTE-RADIO CONT.,HOOK-IN
PI1120241-00 VALVE,SOLENOID



TM-ZF360 41102210360A FRAME/STD,REMOTE-RADIO CONT.,HOOK-IN

Pos No.	Parts No	Parts Name	Qty	Unit	Technical Data	Serial No (Start)
1	36642765010	NUT	1			
2	91001102100	O-RING	1		1A P21	
3	36642765020	CORE ASSY (SOLENOID)	1			
4	36642765030	COIL,SOLENOID	1			
6	36642765040	PACKING	1			
7	36642765050	O-RING	2			
8	36642765060	WASHER (CENTER)	2			
10	91000501200	O-RING	4			
13	36642765080	SPRING	2			
14	36642765070	PLUG	1			
50	36642760000	VALVE,SOLENOID	1			

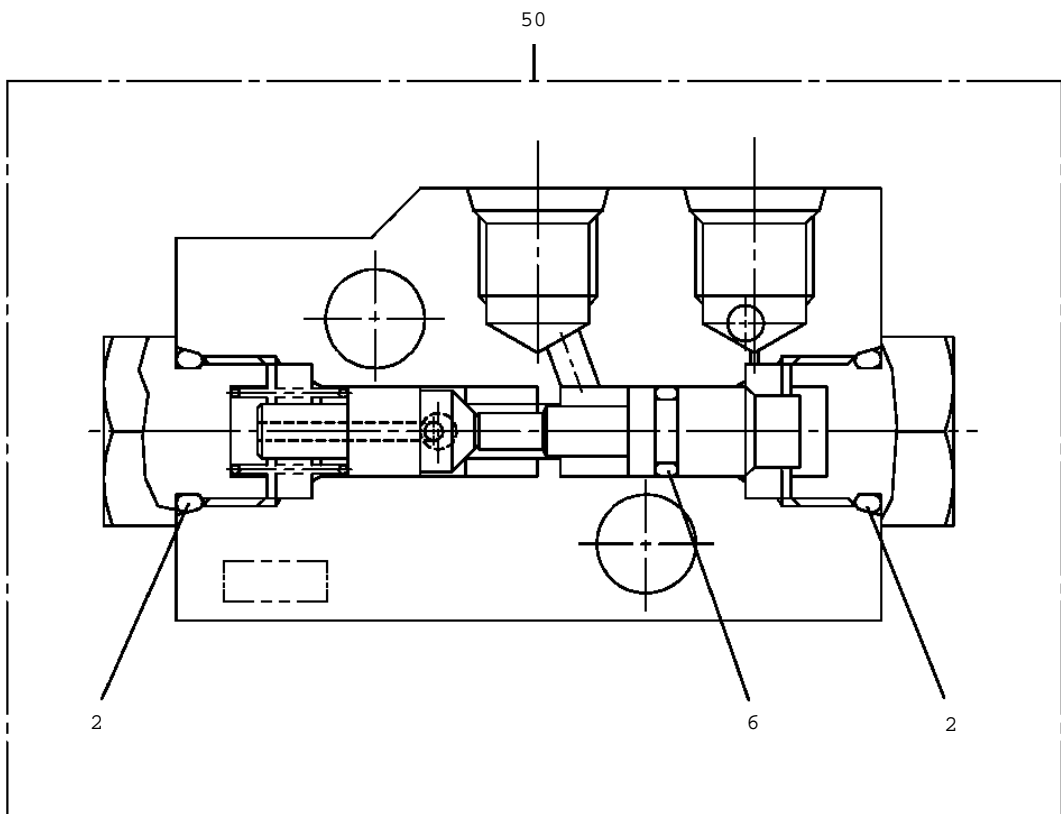
TM-ZF360 41102210360A FRAME/STD,REMOTE-RADIO CONT.,HOOK-IN
PI1250073-01 VALVE,COUNTERBALANCE (ELEVATING)



TM-ZF360 41102210360A FRAME/STD,REMOTE-RADIO CONT.,HOOK-IN

Pos No.	Parts No	Parts Name	Qty	Unit	Technical Data	Serial
3	91001101100	O-RING	1		1A P11	
4	91411001100	RING,BACKUP	1			
6	91001101800	O-RING	1		1A P18	
12	91001101400	O-RING	2		1A P14	
13	91002801000	O-RING	2		1B P10	
50	36604060000	VALVE,COUNTERBALANCE (ELEVATING)	1			

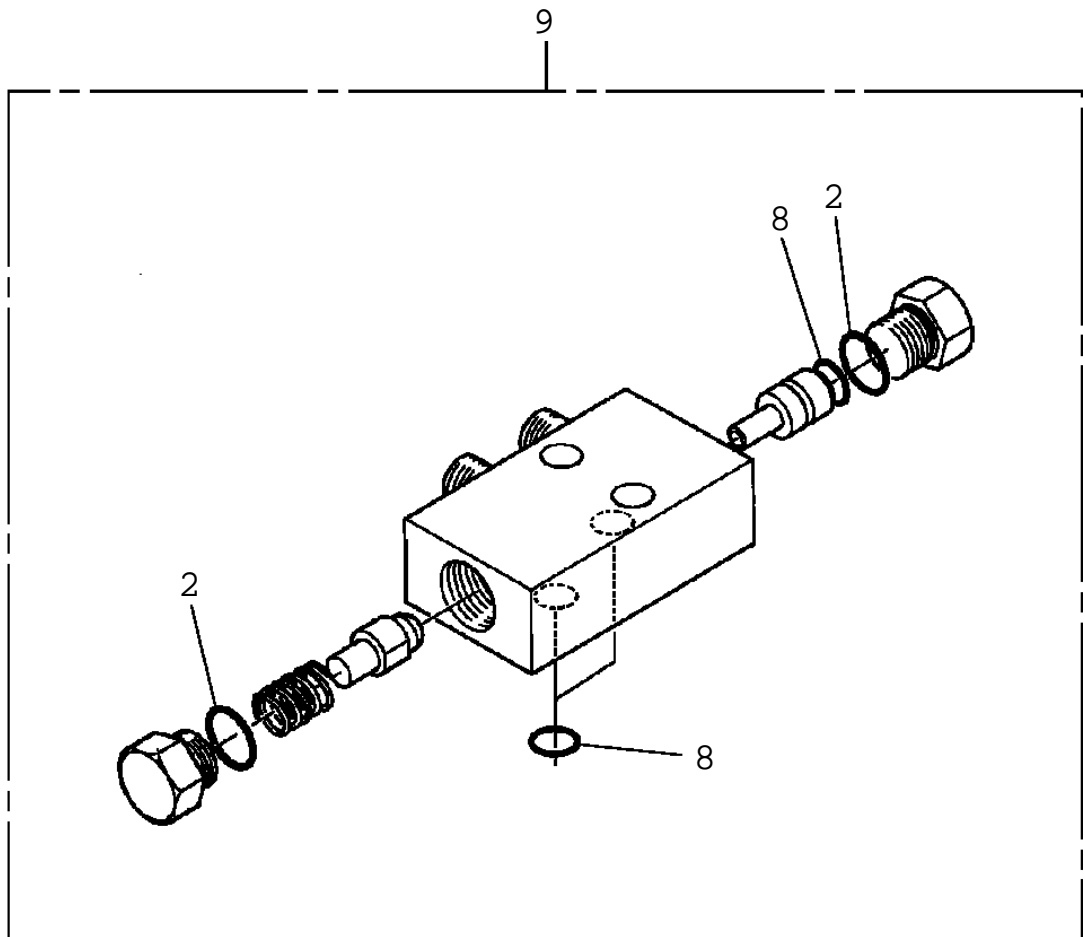
TM-ZF360 41102210360A FRAME/STD,REMOTE-RADIO CONT.,HOOK-IN
PI1280051-00 VALVE,PILOT CHECK



TM-ZF360 41102210360A FRAME/STD,REMOTE-RADIO CONT.,HOOK-IN

Pos No.	Parts No	Parts Name	Qty	Unit	Technical Data	Serial No (Start)	Se
2	91002801400	O-RING	2		1B P14		
6	91002800700	O-RING	1		1B P7		
50	36623930000	VALVE,PILOT CHECK	1				

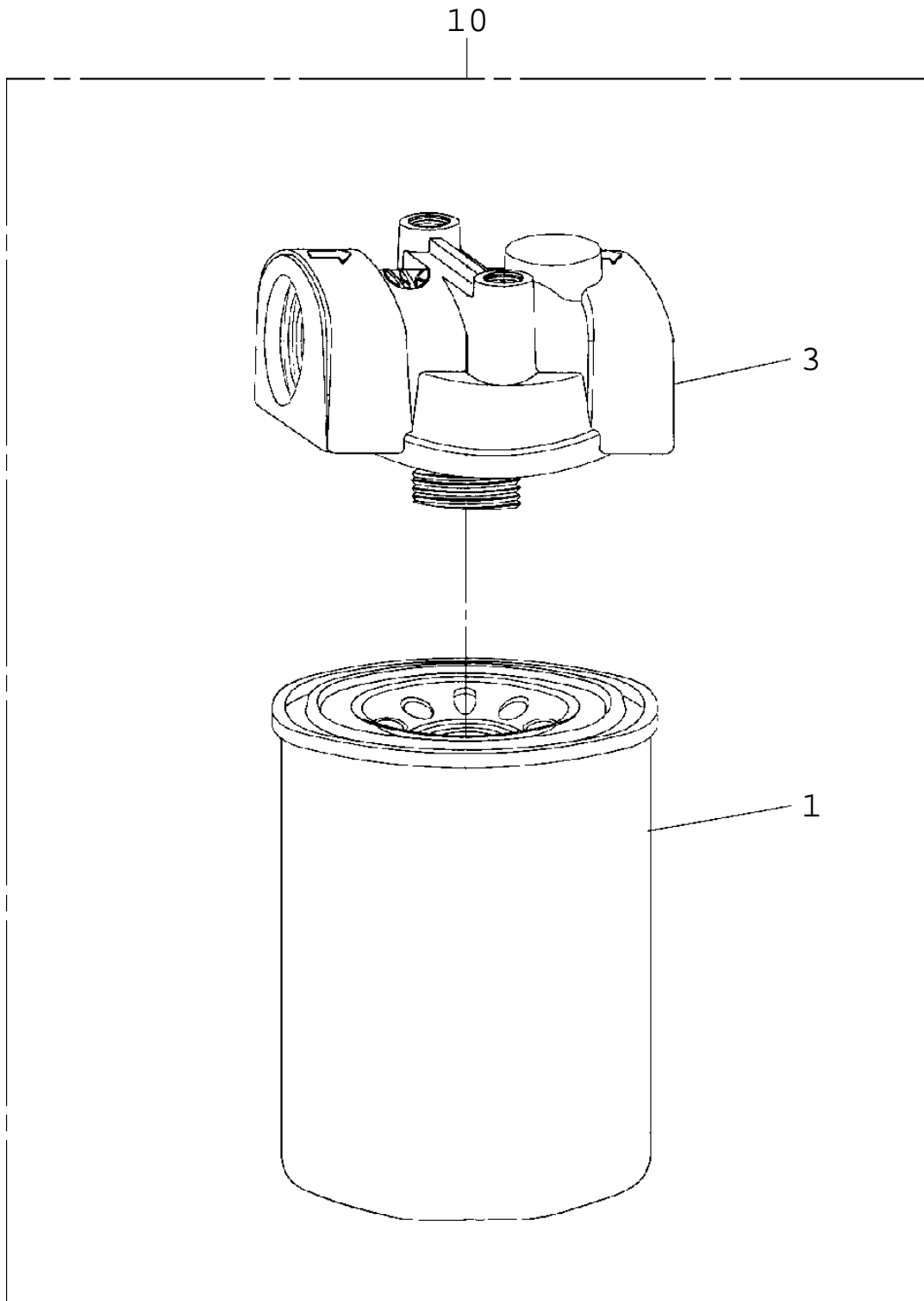
TM-ZF360 41102210360A FRAME/STD,REMOTE-RADIO CONT.,HOOK-IN
PI1280060-03 VALVE,PILOT CHECK



TM-ZF360 41102210360A FRAME/STD,REMOTE-RADIO CONT.,HOOK-IN

Pos No.	Parts No	Parts Name	Qty	Unit	Technical Data	Serial No (Start)	Se
2	91002801400	O-RING	2		1B P14		
8	91002800700	O-RING	3		1B P7		
9	36620140000	VALVE,PILOT CHECK	1				

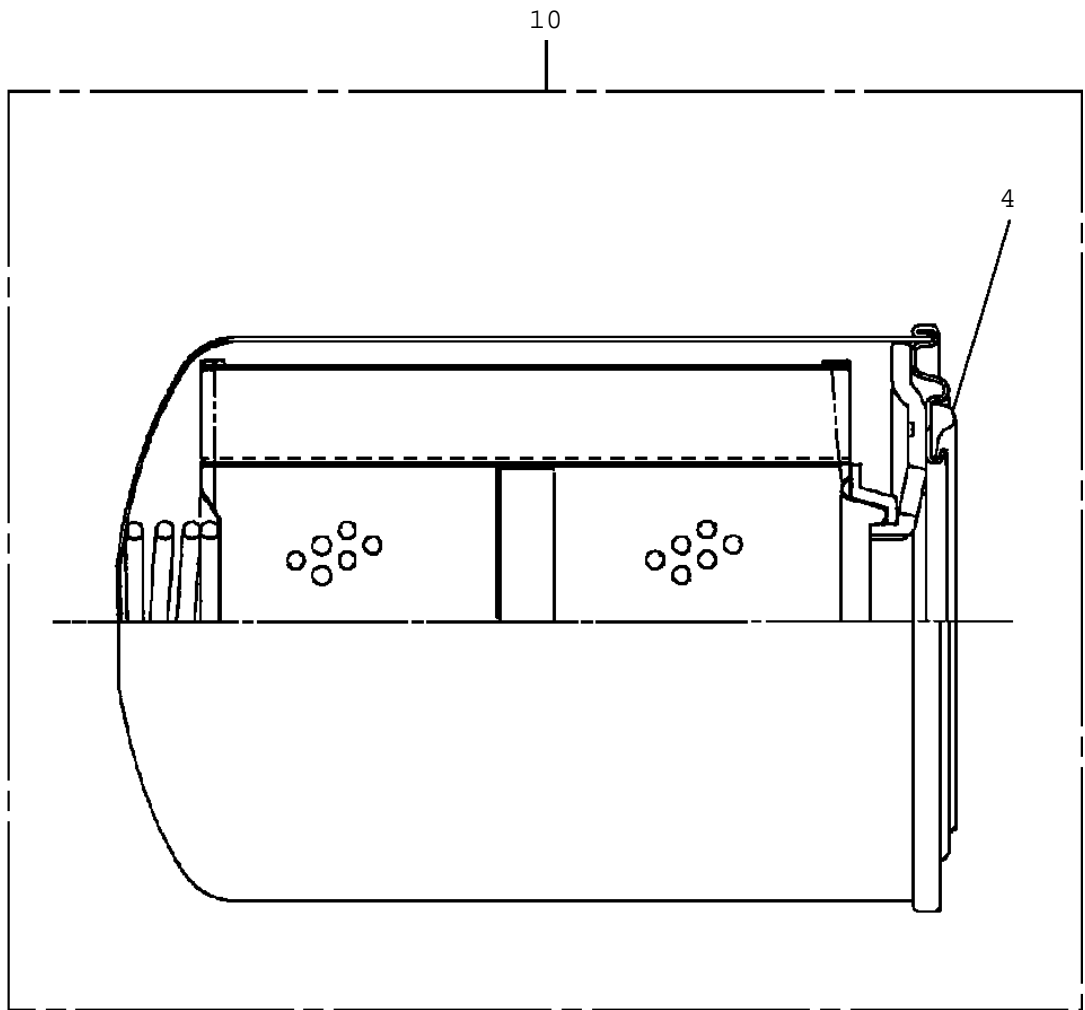
TM-ZF360 41102210360A FRAME/STD,REMOTE-RADIO CONT.,HOOK-IN
PI1300026-01 FILTER,OIL (WAKO)



TM-ZF360 41102210360A FRAME/STD,REMOTE-RADIO CONT.,HOOK-IN

Pos No.	Parts No	Parts Name	Qty	Unit	Technical Data	Serial No (Start
1	36672590000	FILTER,OIL (CARTRIDGE)	1			
3	36672395020	COVER,HEAD	1			
10	36672390000	FILTER,OIL (WAKO)	1			

TM-ZF360 41102210360A FRAME/STD,REMOTE-RADIO CONT.,HOOK-IN
PI1300028-01 FILTER,OIL (CARTRIDGE)

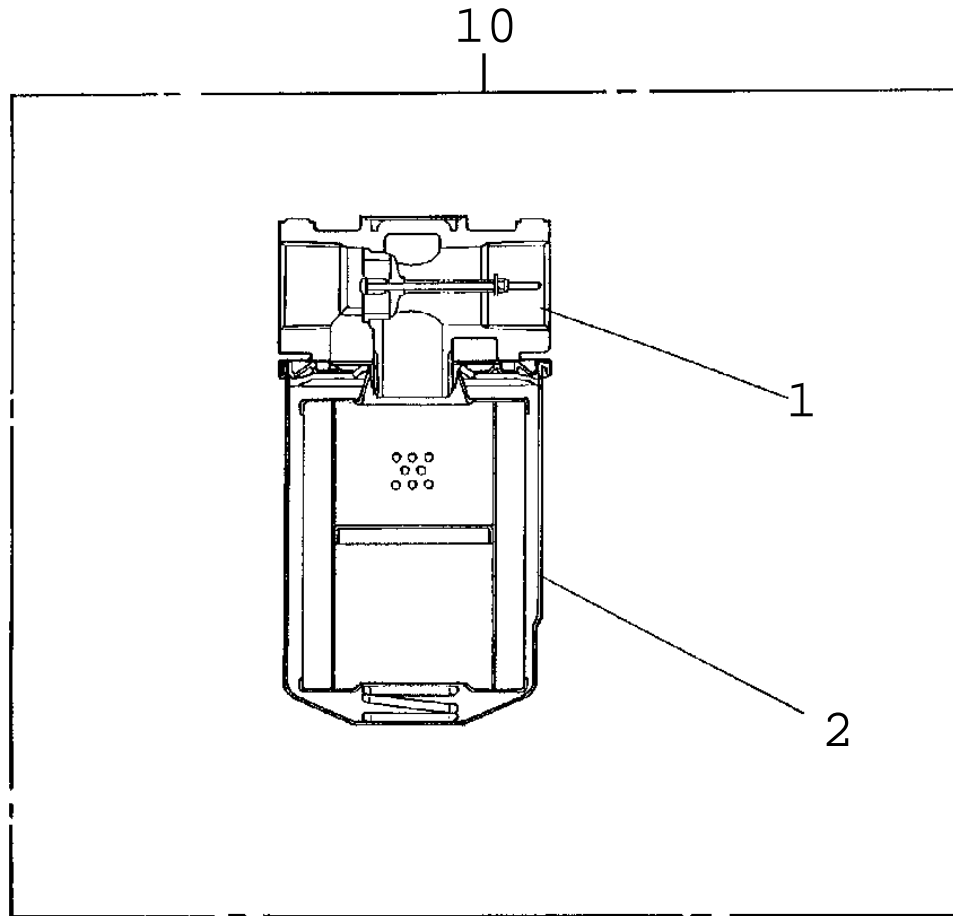


TM-ZF360 41102210360A FRAME/STD,REMOTE-RADIO CONT.,HOOK-IN

Pos No.	Parts No	Parts Name	Qty	Unit	Technical Data	Serial No (Start
4	36671025020	GASKET	1			
10	36672590000	FILTER,OIL (CARTRIDGE)	1			

TM-ZF360 41102210360A FRAME/STD,REMOTE-RADIO CONT.,HOOK-IN
PI1300061-02 FILTER,OIL (YAMASHIN)

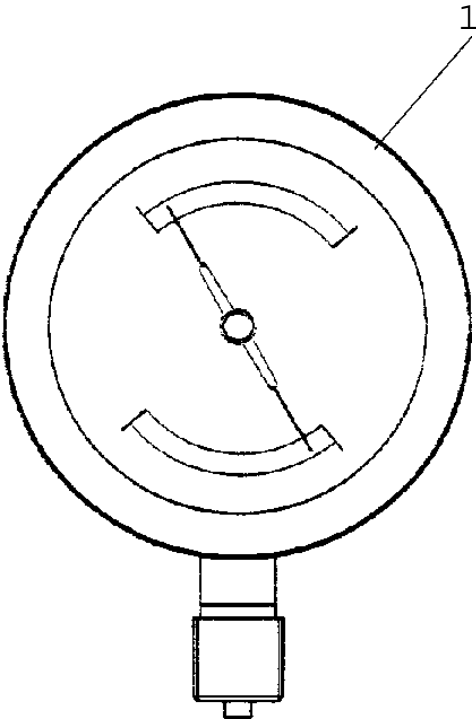
Assembly Name FILTER, OIL



TM-ZF360 41102210360A FRAME/STD,REMOTE-RADIO CONT.,HOOK-IN

Pos No.	Parts No	Parts Name	Qty	Unit	Technical Data	Serial No (Start)
1	36672285010	HEAD ASSY	1			
2	36670109511	FILTER,CARTRIDGE	1			
10	36672280000	FILTER,OIL (YAMASHIN)	1			

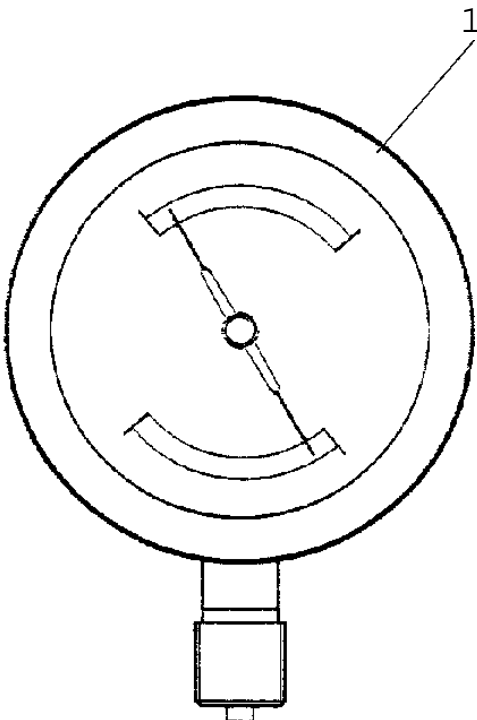
TM-ZF360 41102210360A FRAME/STD,REMOTE-RADIO CONT.,HOOK-IN
PI1440017-00 METER,LOAD (3.0TON NAGANO/FRENCH)



TM-ZF360 41102210360A FRAME/STD,REMOTE-RADIO CONT.,HOOK-IN

Pos No.	Parts No	Parts Name	Qty	Unit	Technical Data	Serial
1	36682740000	METER,LOAD (3.0TON NAGANO/FRENCH)	1			

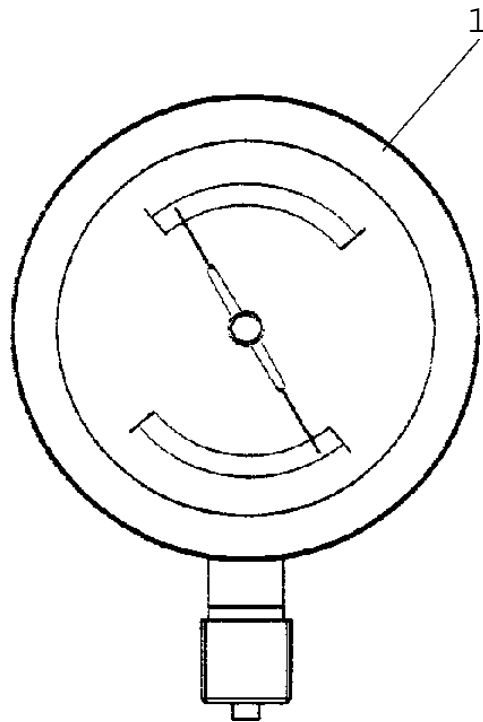
TM-ZF360 41102210360A FRAME/STD,REMOTE-RADIO CONT.,HOOK-IN
PI1440020-00 METER,LOAD (3.0TON NAGANO/ENGLISH)



TM-ZF360 41102210360A FRAME/STD,REMOTE-RADIO CONT.,HOOK-IN

Pos No.	Parts No	Parts Name	Qty	Unit	Technical Data	Seri
1	36682270000	METER,LOAD (3.0TON NAGANO/ENGLISH)	1			

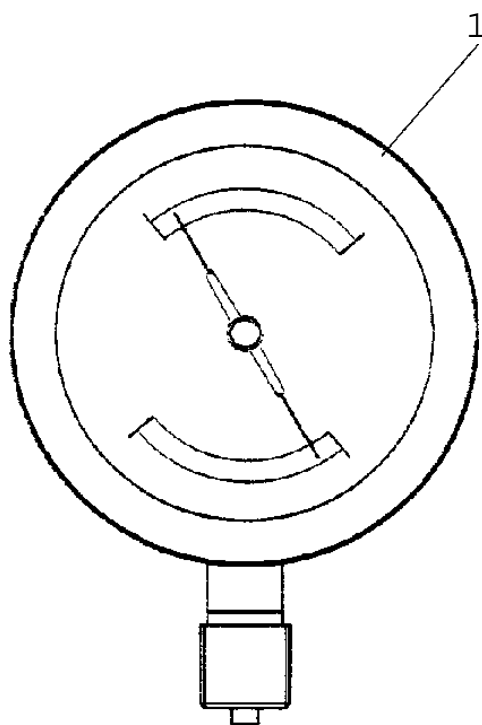
TM-ZF360 41102210360A FRAME/STD,REMOTE-RADIO CONT.,HOOK-IN
PI1440021-00 METER,LOAD (3.0TON ENG.&RUSSIAN/NAGANO)



TM-ZF360 41102210360A FRAME/STD,REMOTE-RADIO CONT.,HOOK-IN

Pos No.	Parts No	Parts Name	Qty	Unit	Technical Data
1	36682400000	METER,LOAD (3.0TON ENG.&RUSSIAN/NAGANO)	1		

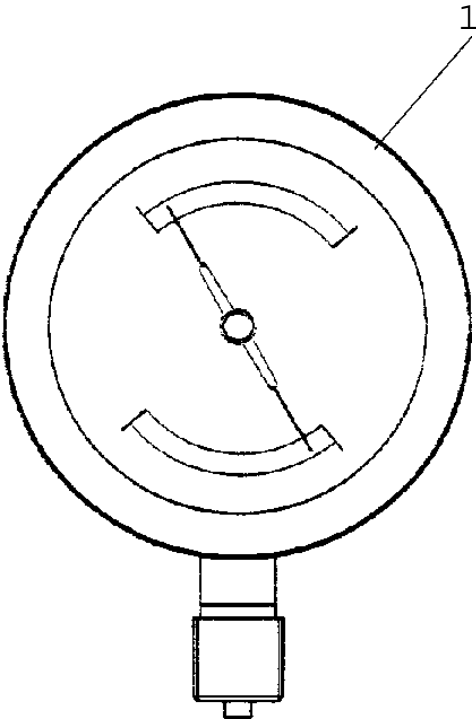
TM-ZF360 41102210360A FRAME/STD,REMOTE-RADIO CONT.,HOOK-IN
PI1440022-00 METER,LOAD (3.2TON ENG.&CHINESE/NAGANO)



TM-ZF360 41102210360A FRAME/STD,REMOTE-RADIO CONT.,HOOK-IN

Pos No.	Parts No	Parts Name	Qty	Unit	Technical Data
1	36682940000	METER,LOAD (3.2TON ENG.&CHINESE/NAGANO)	1		

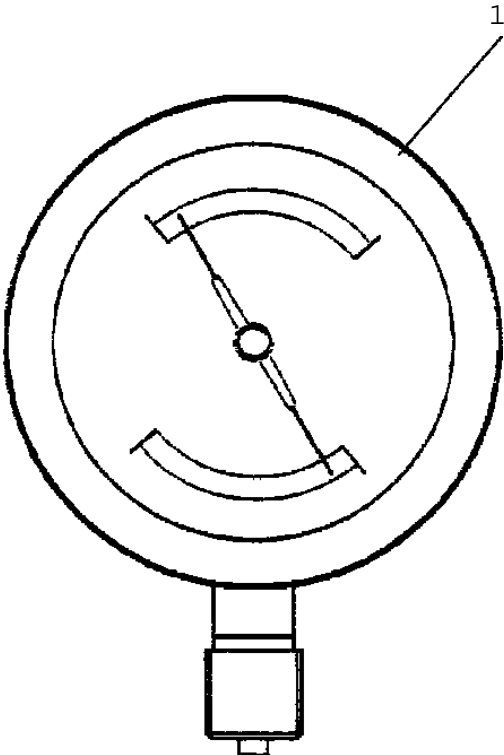
TM-ZF360 41102210360A FRAME/STD,REMOTE-RADIO CONT.,HOOK-IN
PI1440023-00 METER,LOAD (7000IDS ENGLISH/NAGANO)



TM-ZF360 41102210360A FRAME/STD,REMOTE-RADIO CONT.,HOOK-IN

Pos No.	Parts No	Parts Name	Qty	Unit	Technical Data	Ser
1	36683350000	METER,LOAD (7000IDS ENGLISH/NAGANO)	1			

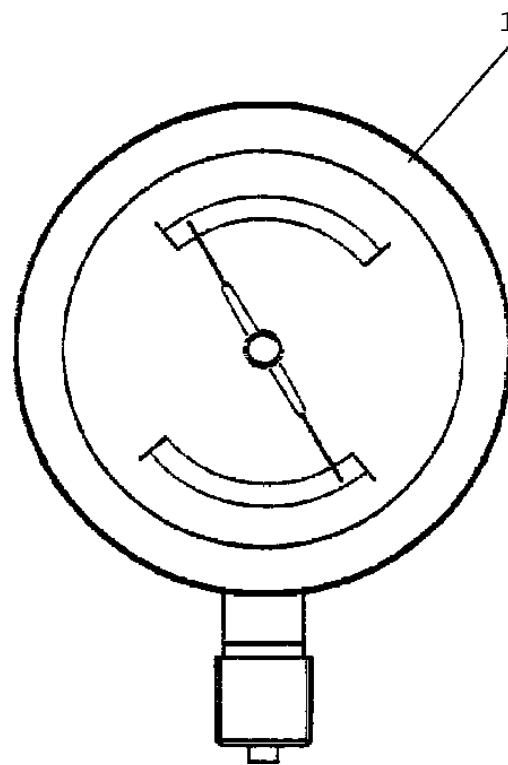
TM-ZF360 41102210360A FRAME/STD,REMOTE-RADIO CONT.,HOOK-IN
PI1440035-01 METER,LOAD (2.9TON KUSABA/ENG.& JAPANESE)



TM-ZF360 41102210360A FRAME/STD,REMOTE-RADIO CONT.,HOOK-IN

Pos No.	Parts No	Parts Name	Qty	Unit	Technical Dat
1	36682150000	METER,LOAD (2.9TON KUSABA/ENG.& JAPANESE)	1		

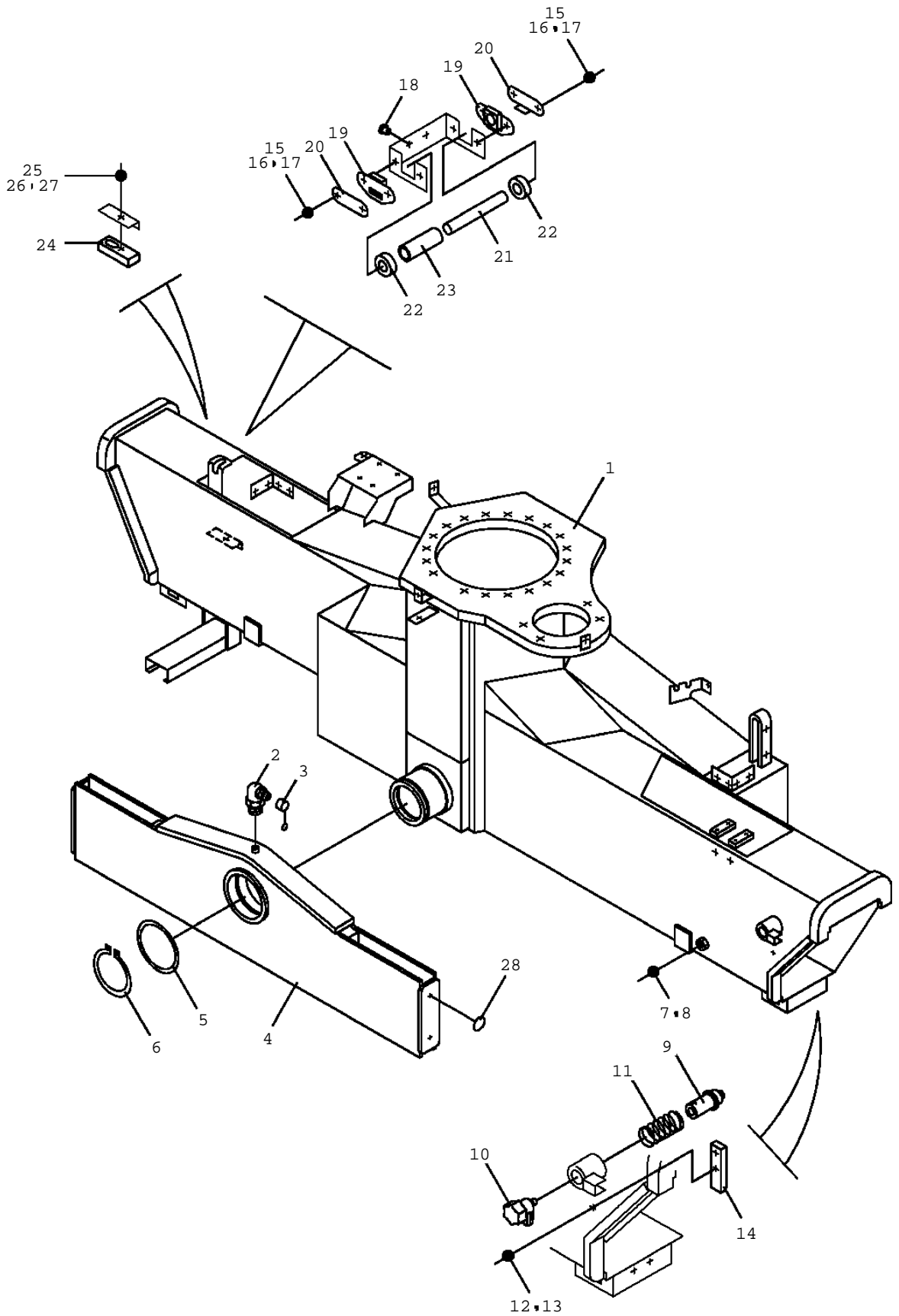
TM-ZF360 41102210360A FRAME/STD,REMOTE-RADIO CONT.,HOOK-IN
PI1440036-01 METER,LOAD (2.9TON NAGANO/ENG.& JAPANESE)



TM-ZF360 41102210360A FRAME/STD,REMOTE-RADIO CONT.,HOOK-IN

Pos No.	Parts No	Parts Name	Qty	Unit	Technical Dat
1	36682160000	METER,LOAD (2.9TON NAGANO/ENG.& JAPANESE)	1		

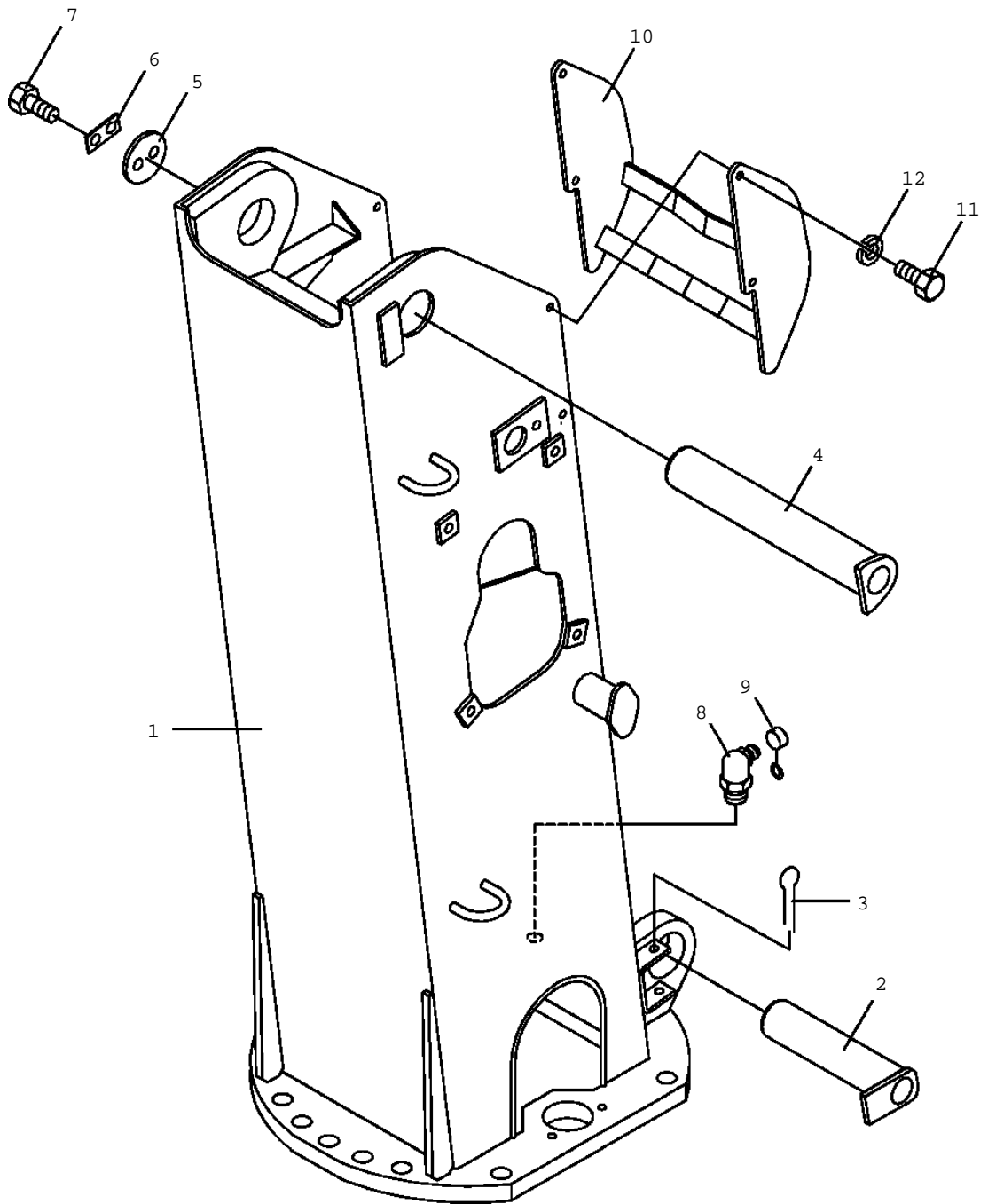
TM-ZF360 41102210360A FRAME/STD,REMOTE-RADIO CONT.,HOOK-IN
PK1010480-00 FRAME



TM-ZF360 41102210360A FRAME/STD,REMOTE-RADIO CONT.,HOOK-IN

Pos No.	Parts No	Parts Name	Qty	Unit	Technical Data	Serial No (Start)
1	31622650100	FRAME ASSY	1			
2	82459103000	NIPPLE,GREASE	1		C-PT1/8	
3	82400000459	CAP	1			
4	31622071000	FRAME	1			
5	37000520580	PLATE	1			
6	80601110950	RING,RITAINING	1		S95	
7	90203201600	NUT	2		M16	
8	90101216045	BOLT	2		M16X45	
9	31621962301	PIN	2			
10	31621962800	KNOB	2			
11	37001201380	SPRING	2			
12	90172110016	BOLT,HEXAGON SOCKET	4		M10X16	
13	90302041001	WASHER,SPRING	4		10	
14	31622253600	PLATE	2			
15	90101208014	BOLT	8		M8X14	
16	90303070801	WASHER,PLAIN	8		8	
17	90302040801	WASHER,SPRING	8		8	
18	82466003005	INSULATOR	4			
19	31621962100	SUPPORT	4			
20	31621962200	PLATE	12		T=0.5	
21	37000161010	PIN	2			
22	80530000225	BEARING,BALL (KOYO)	4			
	31620582020	BEARING,BALL (KOYO)	4			KB7532
23	37000309980	SPACER	2		L=60	
24	82400000470	LEVEL	1			
25	80183306016	SCREW,MACHINE	1		M6X16	
26	90302040601	WASHER,SPRING	1		6	
27	90303070601	WASHER,PLAIN	1		6	
28	82400000475	PLATE	4			

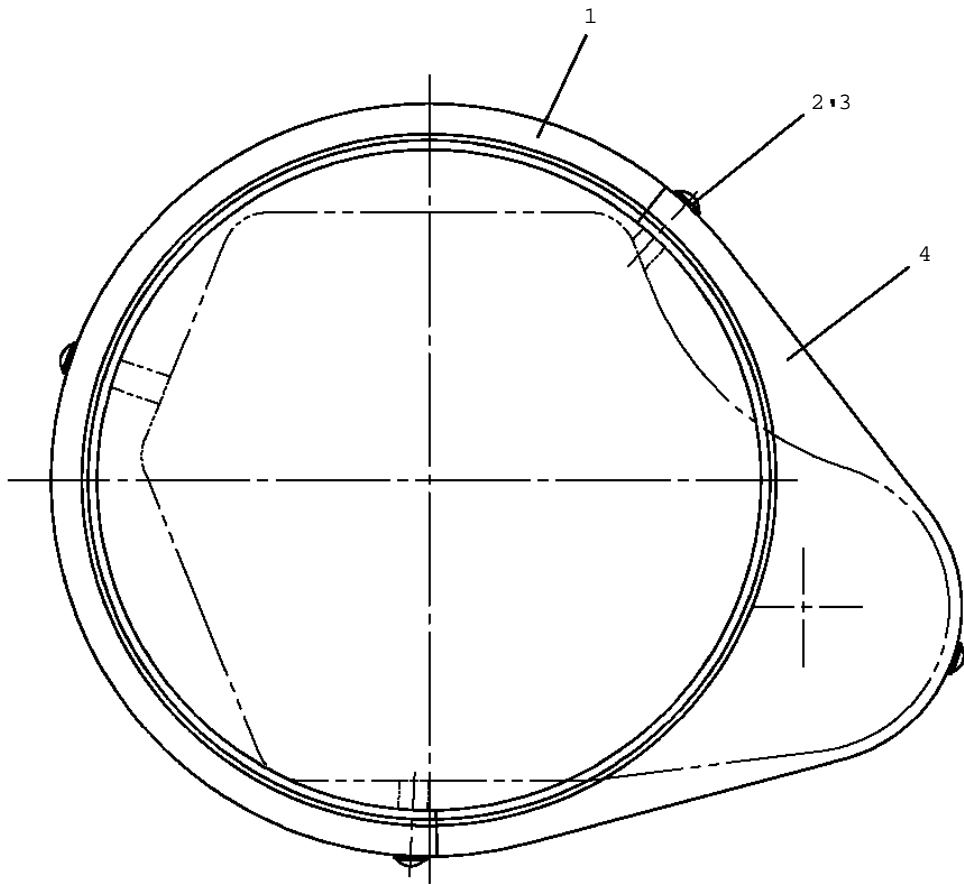
TM-ZF360 41102210360A FRAME/STD,REMOTE-RADIO CONT.,HOOK-IN
PK1100192-00 SWING FRAME



TM-ZF360 41102210360A FRAME/STD,REMOTE-RADIO CONT.,HOOK-IN

Pos No.	Parts No	Parts Name	Qty	Unit	Technical Data	Serial No (Start)	Seri
1	31230580100	POST	1				
2	37000202780	PIN (WELDING)	1				
	37000205240	PIN (MACHINING)	1			EP4109	
3	80136363080	PIN,SPLIT	1		6.3X80		
4	37000202270	PIN (WELDING)	1				
	37000205260	PIN (MACHINING)	1			EP4109	
5	31230412000	COVER	1				
6	37000527860	PLATE	1				
7	90101210016	BOLT	2		M10X16		
8	82458202000	NIPPLE,GREASE	1		B-TYPE PT1/8		
9	82400000459	CAP	1				
10	31230582200	COVER	1				
11	90101208012	BOLT	4		M8X12		
12	90302040801	WASHER,SPRING	4		8		

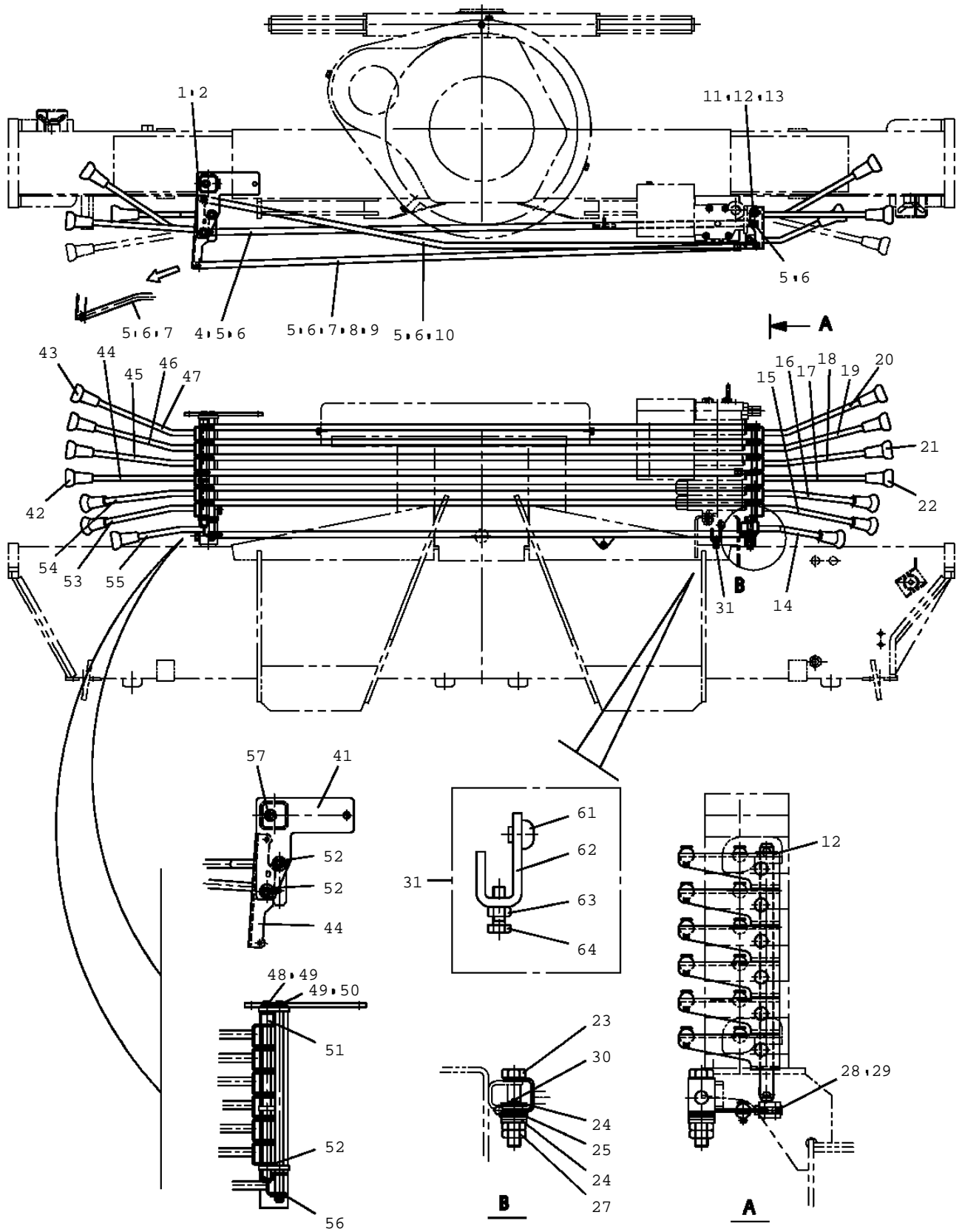
TM-ZF360 41102210360A FRAME/STD,REMOTE-RADIO CONT.,HOOK-IN
PK1200221-00 COVER,SWING FRAME



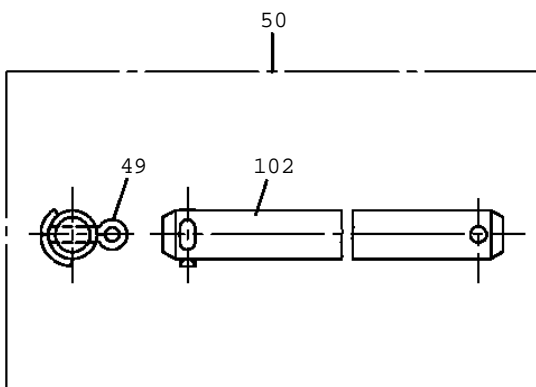
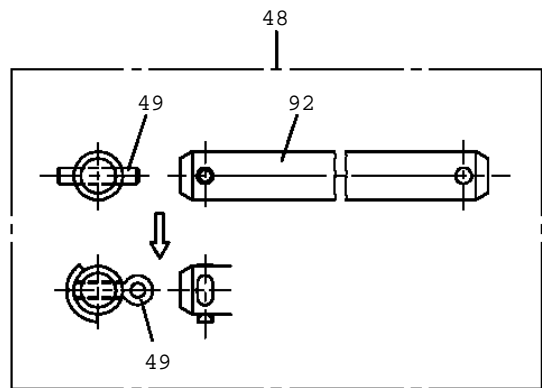
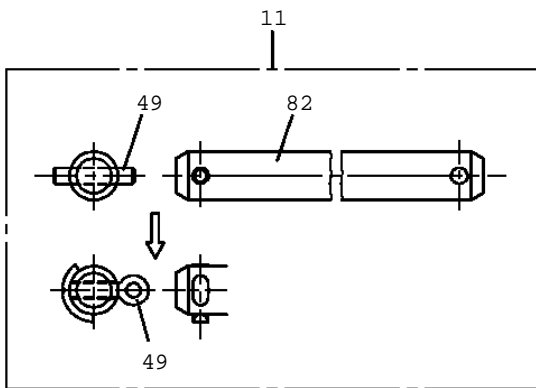
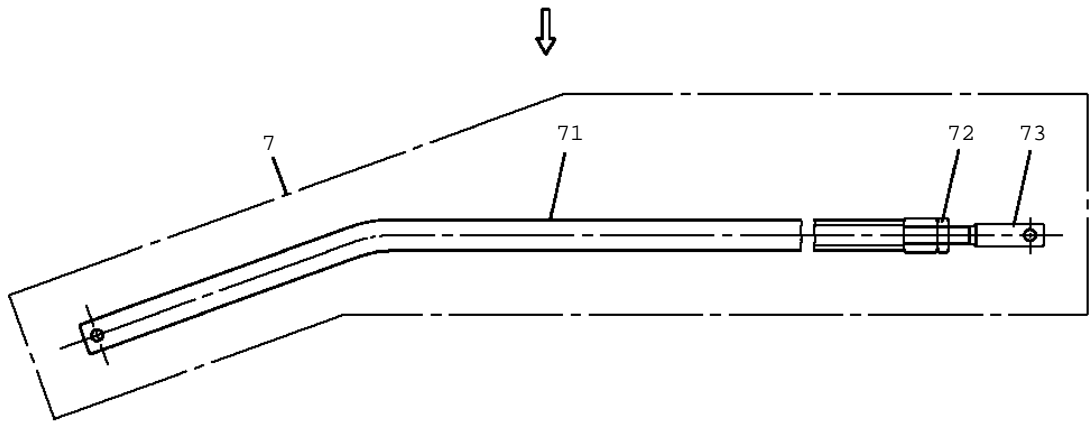
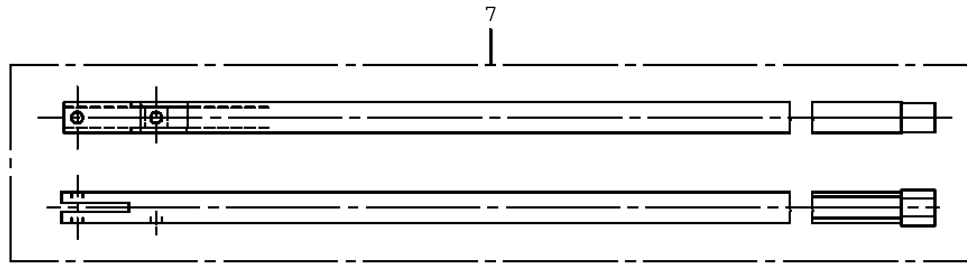
TM-ZF360 41102210360A FRAME/STD,REMOTE-RADIO CONT.,HOOK-IN

Pos No.	Parts No	Parts Name	Qty	Unit	Technical Data	Serial No (Start)	Serial
1	31300640300	COVER	1				
2	80183308014	SCREW,MACHINE	4		M8X14		
3	90303071001	WASHER,PLAIN	4		10		
4	31300640400	COVER	1				

TM-ZF360 41102210360A FRAME/STD,REMOTE-RADIO CONT.,HOOK-IN
 PL1010529-04 OPE.ASSY,CONT.VALVE (CRANE)



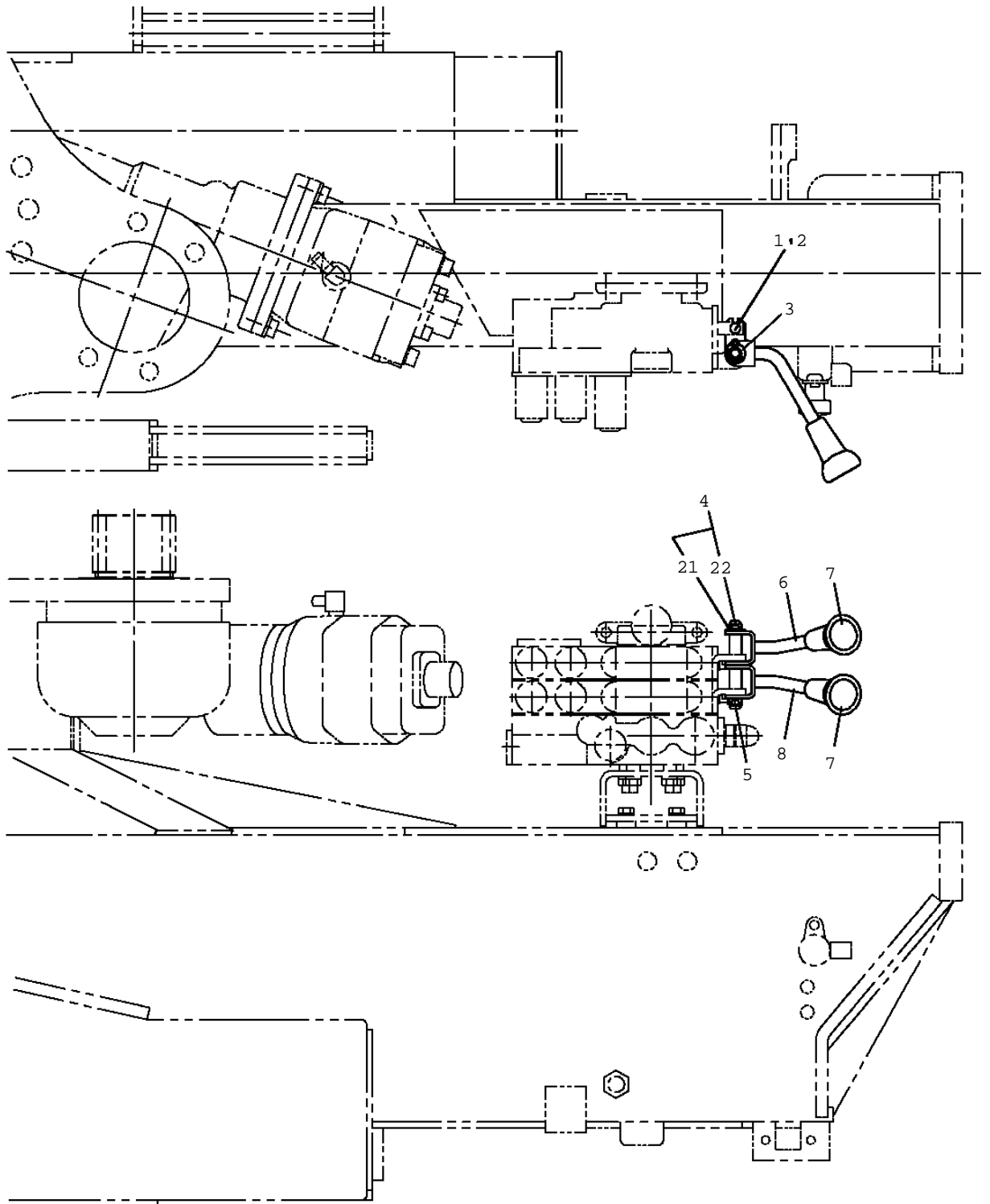
TM-ZF360 41102210360A FRAME/STD,REMOTE-RADIO CONT.,HOOK-IN
PL1010529-04 OPE.ASSY,CONT.VALVE (CRANE)



TM-ZF360 41102210360A FRAME/STD,REMOTE-RADIO CONT.,HOOK-IN

Pos No.	Parts No	Parts Name	Qty	Unit	Technical Data	Serial No (Start)
1	90171110016	BOLT	4		M10X16	
2	90302041001	WASHER,SPRING	4		10	
4	31322052200	ROD	1			
5	37000105610	PIN	20		L=18	
6	80620210050	PIN,SNAP	20			
7	31322052600	ROD ASSY	1			
10	31322052000	ROD	5			
11	37000164930	PIN	1			
12	31322224200	PLATE	6		L=1	
13	80136340020	PIN,SPLIT	1		4X20	
14	31322052551	LEVER	1			
15	31322053001	LEVER	1			
16	31322053051	LEVER	1			
17	31322053101	LEVER	1			
18	31322053151	LEVER	1			
19	31322053201	LEVER	1			
20	31322053251	LEVER	1			
21	31322050510	KNOB (BLACK)	6			
22	31322050560	KNOB (RED)	1			
23	31322050600	BOLT	1			
24	90303071201	WASHER,PLAIN	2		12	
25	90309331205	WASHER,CONICAL SPRING	2		L12	
27	90203201200	NUT	2		M12	
28	12434402040	SPRING	1			
29	80172305008	SCREW,MACHINE	2		M5X8	
30	80136350022	PIN,SPLIT	1		5X22	
31	31322050750	SUPPORT ASSY	1			
41	31322051100	SUPPORT	1			
42	31322050560	KNOB (RED)	1			
43	31322050510	KNOB (BLACK)	6			
44	31322053401	LEVER	1			
45	31322053151	LEVER	1			
46	31322053201	LEVER	1			
47	31322053251	LEVER	1			
48	37000136790	PIN ASSY	1			
49	80136340020	PIN,SPLIT	4		4X20	
50	37000155570	PIN ASSY	1			
51	37000301830	SPACER	1		L=16	
	37000311190	SPACER	1		L=16	EE6455
52	31322224200	PLATE	8		L=1	
53	31322053301	LEVER	1			
54	31322053351	LEVER	1			
55	31322052501	LEVER	1			
56	90303071201	WASHER,PLAIN	1		12	
57	82440901030	PLUG	1			
61	82466003005	INSULATOR	1			
62	31322050700	SUPPORT	1			
63	90202200600	NUT	1		M6	
64	90101206020	BOLT	1		M6X20	
71	31322052650	ROD	1			
72	90203200800	NUT	1		M8	
73	31320810210	END	1			
92	37000136800	PIN	1			
102	37000163020	PIN	1			

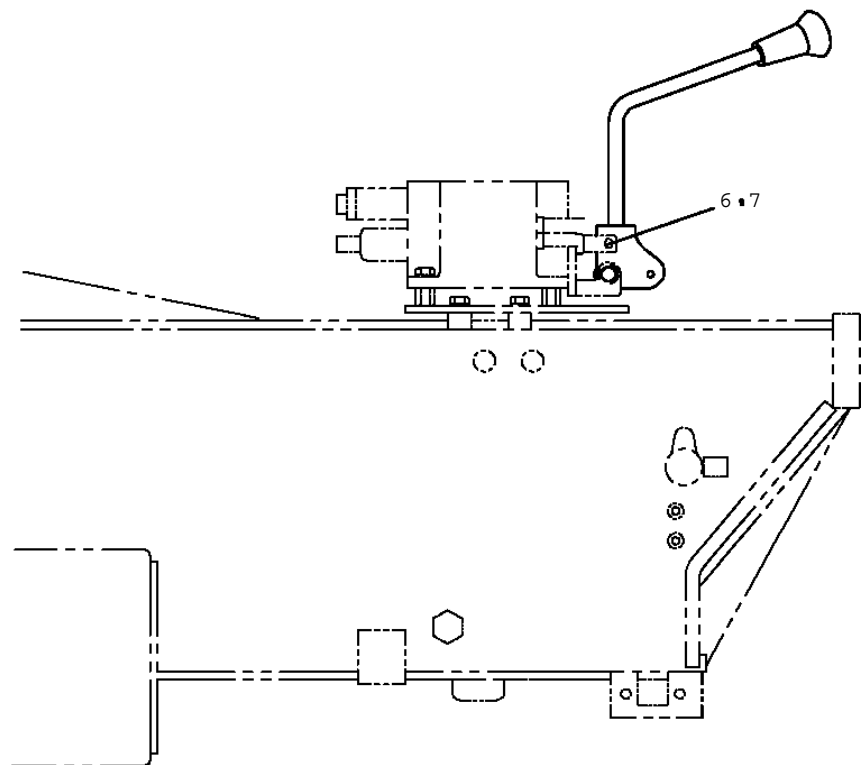
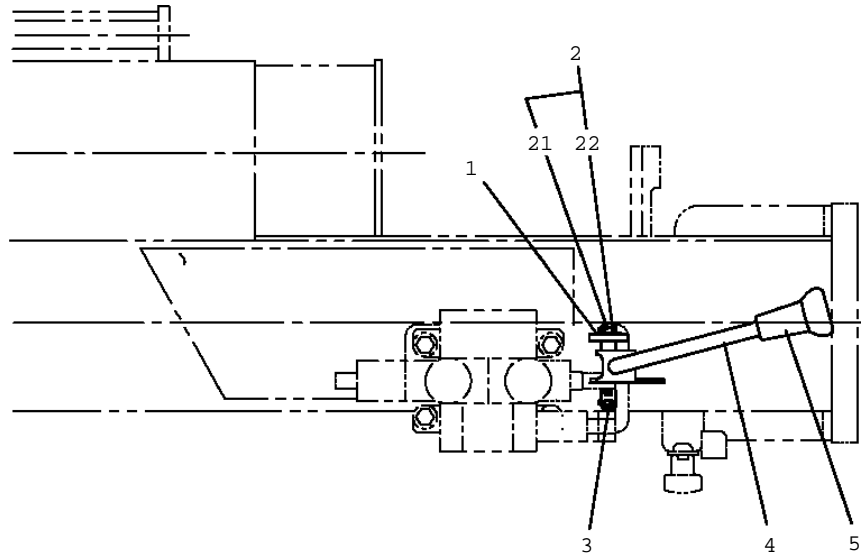
TM-ZF360 41102210360A FRAME/STD,REMOTE-RADIO CONT.,HOOK-IN
PL1010547-01 OPE.ASSY,CONT.VALVE(O/R,REAR)



TM-ZF360 41102210360A FRAME/STD,REMOTE-RADIO CONT.,HOOK-IN

Pos No.	Parts No	Parts Name	Qty	Unit	Technical Data	Serial No (Start)	Serial :
1	37000105610	PIN	2		L=18		
2	80620210050	PIN,SNAP	2				
3	31322224200	PLATE	1		L=1		
4	37000110180	PIN ASSY	1				
5	80136340020	PIN,SPLIT	1		4X20		
6	31322160101	LEVER	1				
7	31322050510	KNOB (BLACK)	2				
8	31322160201	LEVER	1				
21	80136340020	PIN,SPLIT	1		4X20		
22	37000110190	PIN	1				

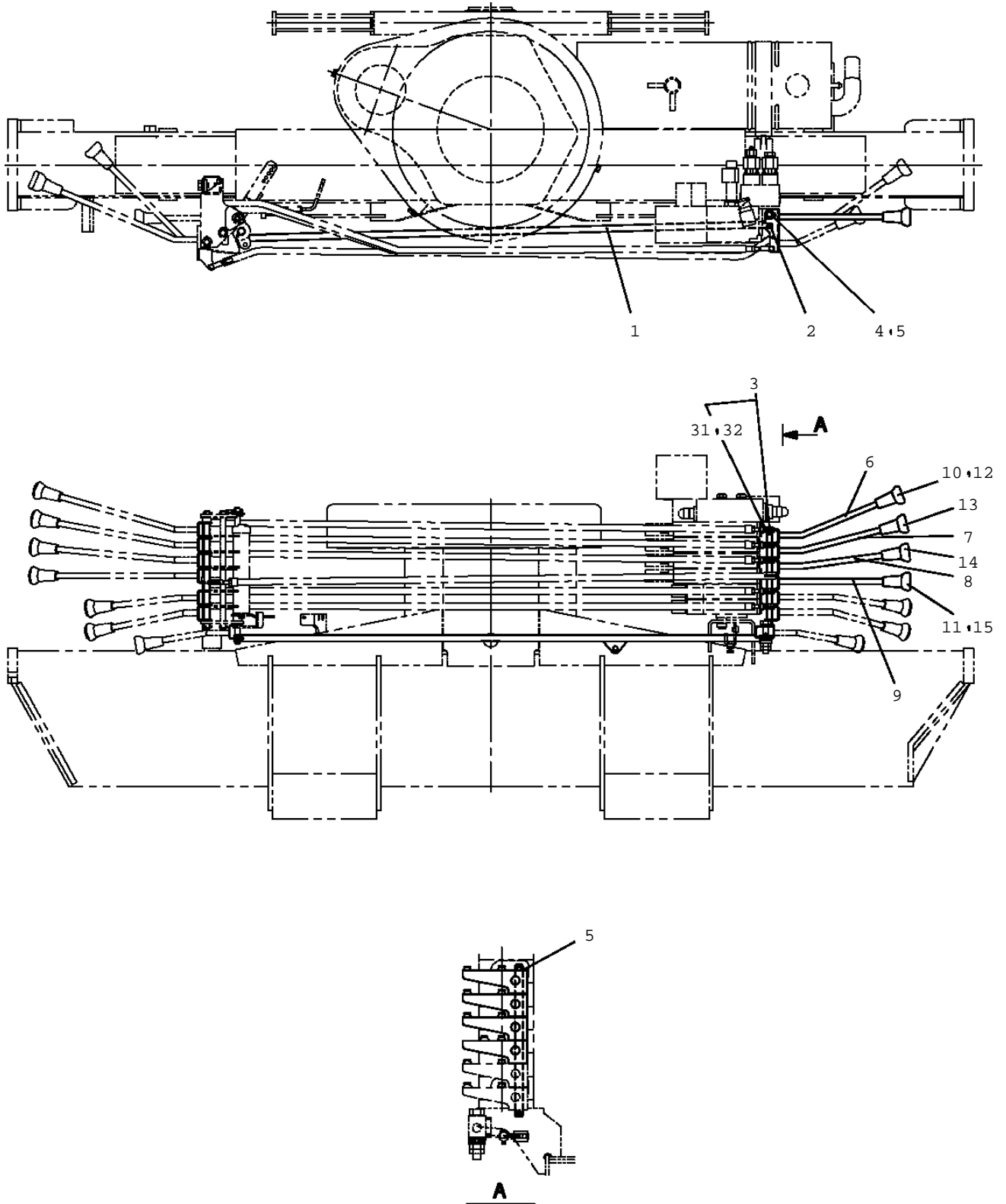
TM-ZF360 41102210360A FRAME/STD,REMOTE-RADIO CONT.,HOOK-IN
PL1010609-01 OPE.ASSY,CONT.VALVE (POWER)



TM-ZF360 41102210360A FRAME/STD,REMOTE-RADIO CONT.,HOOK-IN

Pos No.	Parts No	Parts Name	Qty	Unit	Technical Data	Serial No (Start)	Serial :
1	31322224200	PLATE	1		L=1		
2	37000119080	PIN ASSY	1				
3	80136340020	PIN,SPLIT	1		4X20		
4	31473631101	LEVER	1				
5	31322050510	KNOB (BLACK)	1				
6	37000105610	PIN	1		L=18		
7	80620210050	PIN,SNAP	1				
21	80136340020	PIN,SPLIT	1		4X20		
22	37000119090	PIN	1				

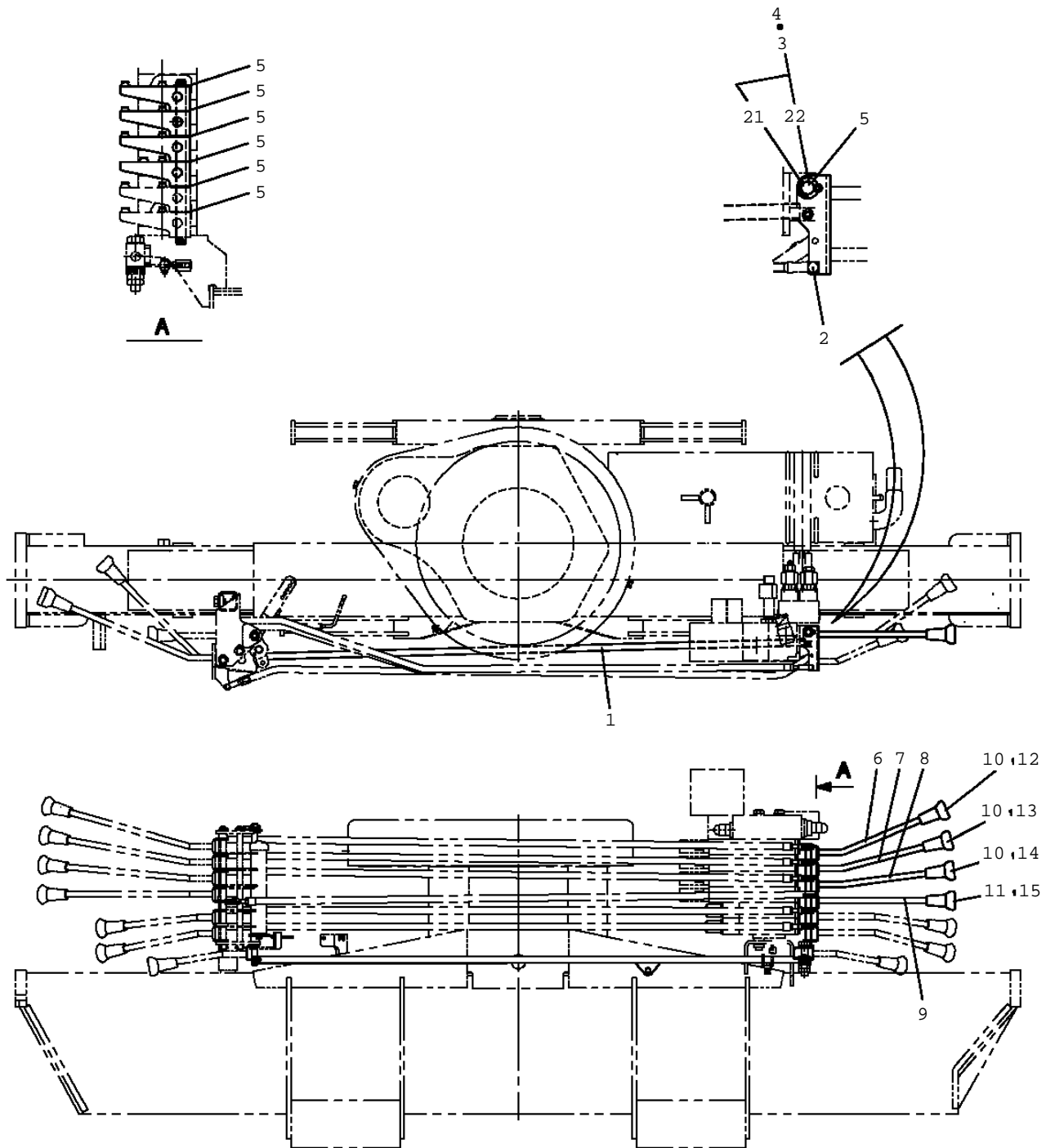
TM-ZF360 41102210360A FRAME/STD,REMOTE-RADIO CONT.,HOOK-IN
PL1010691-01 OPERATION SYSTEM, CONTROL VALVE



TM-ZF360 41102210360A FRAME/STD,REMOTE-RADIO CONT.,HOOK-IN

Pos No.	Parts No	Parts Name	Qty	Unit	Technical Data	Serial No (Sta
1	31473662100	ROD	1			
2	80620210050	PIN,SNAP	14			
3	37000101180	PIN ASSY	1			
4	80136340020	PIN,SPLIT	1		4X20	
5	31322224200	PLATE	6		L=1	
6	31322053251	LEVER	1			
7	31322053201	LEVER	1			
8	31322053151	LEVER	1			
9	31473662201	LEVER	1			
10	31322050510	KNOB (BLACK)	3			
11	31322050560	KNOB (RED)	1			
12	37002214050	PLATE,NAME (TELESCOPING)	1			
13	37002214060	PLATE,NAME (WINCH)	1			
14	37002214070	PLATE,NAME (ELEVATING)	1			
15	37002214080	PLATE,NAME (RIGGHT-LEFT)	1			
31	80136340020	PIN,SPLIT	1		4X20	
32	37000101190	PIN	1			

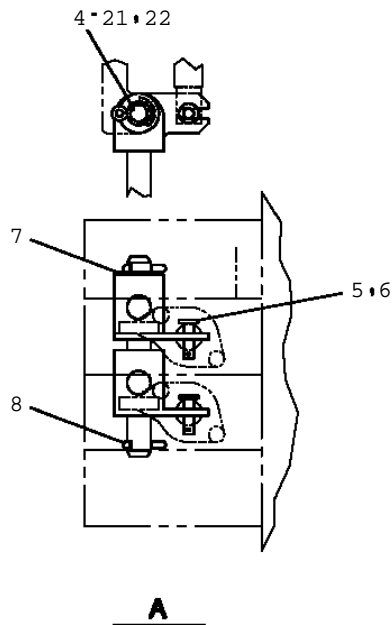
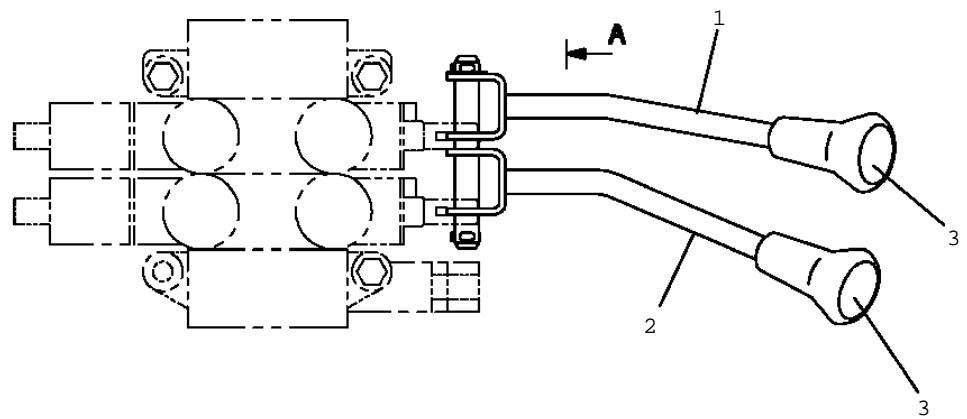
TM-ZF360 41102210360A FRAME/STD,REMOTE-RADIO CONT.,HOOK-IN
PL1010745-00 OPE.ASSY,CONT.VALVE (RADICON)



TM-ZF360 41102210360A FRAME/STD,REMOTE-RADIO CONT.,HOOK-IN

Pos No.	Parts No	Parts Name	Qty	Unit	Technical Data	Serial No (Sta
1	31473662100	ROD	1			
2	80620210050	PIN,SNAP	14			
3	37000101180	PIN ASSY	1			
4	80136340020	PIN,SPLIT	1		4X20	
5	31322224200	PLATE	6		L=1	
6	31322053251	LEVER	1			
7	31322053201	LEVER	1			
8	31322053151	LEVER	1			
9	31473662201	LEVER	1			
10	31322050510	KNOB (BLACK)	3			
11	31322050560	KNOB (RED)	1			
12	37002213050	PLATE,NAME (TELESCOPING)	1			
13	37002213060	PLATE,NAME (WINCH)	1			
14	37002213070	PLATE,NAME (ELEVATING)	1			
15	37002213080	PLATE,NAME (SWING)	1			
21	80136340020	PIN,SPLIT	1		4X20	
22	37000101190	PIN	1			

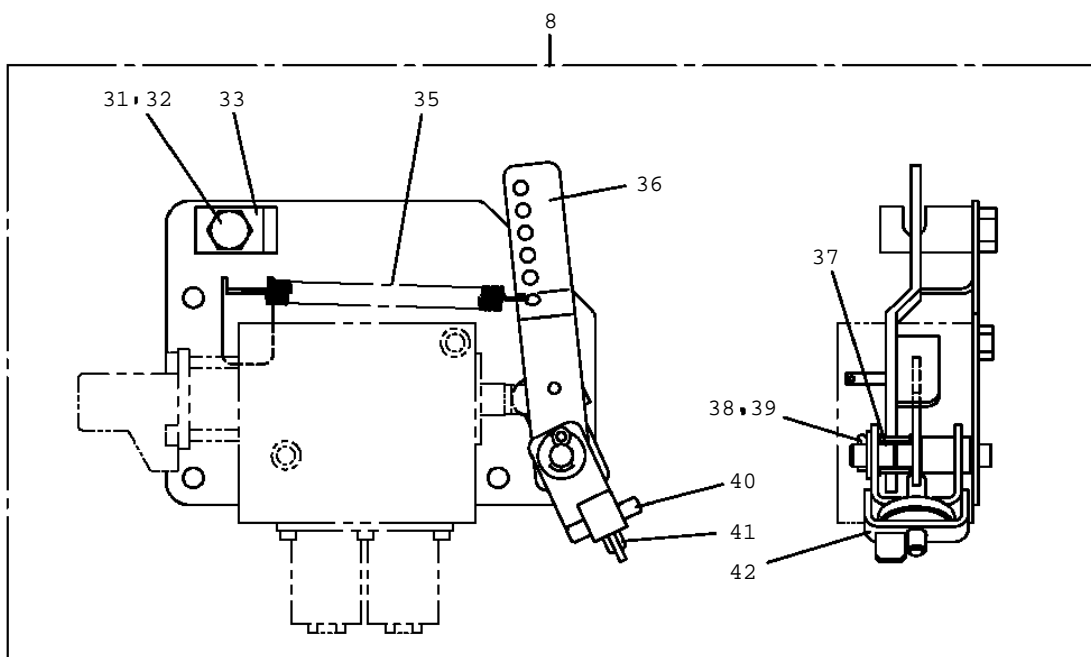
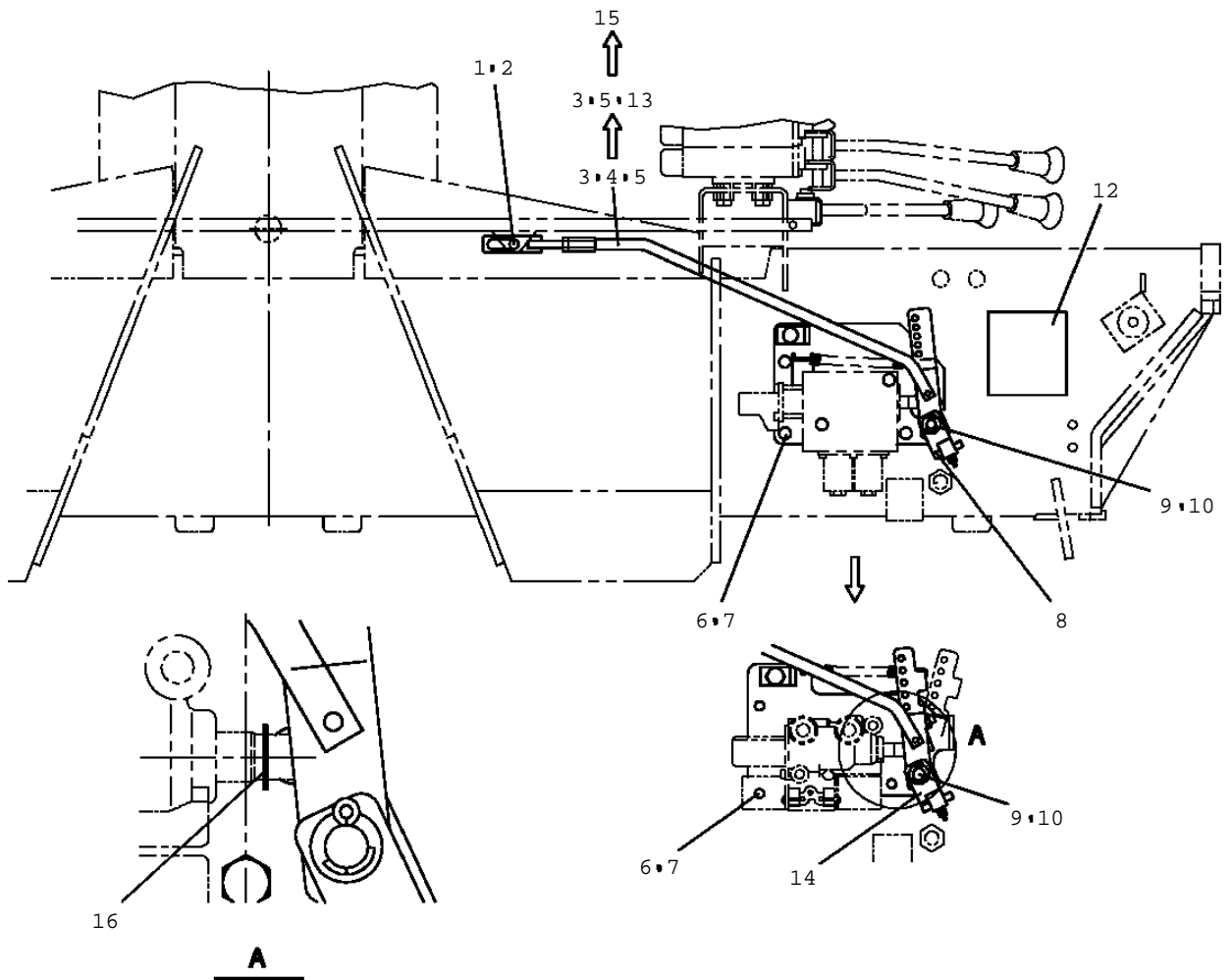
TM-ZF360 41102210360A FRAME/STD,REMOTE-RADIO CONT.,HOOK-IN
PL1011069-00 OPE.ASSY,CONT.VALVE



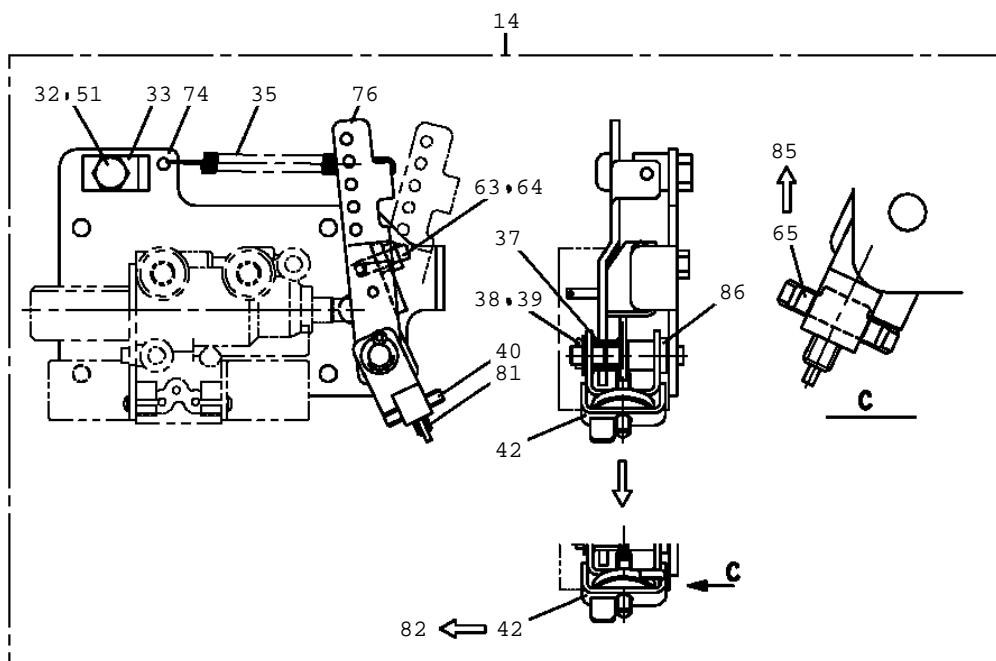
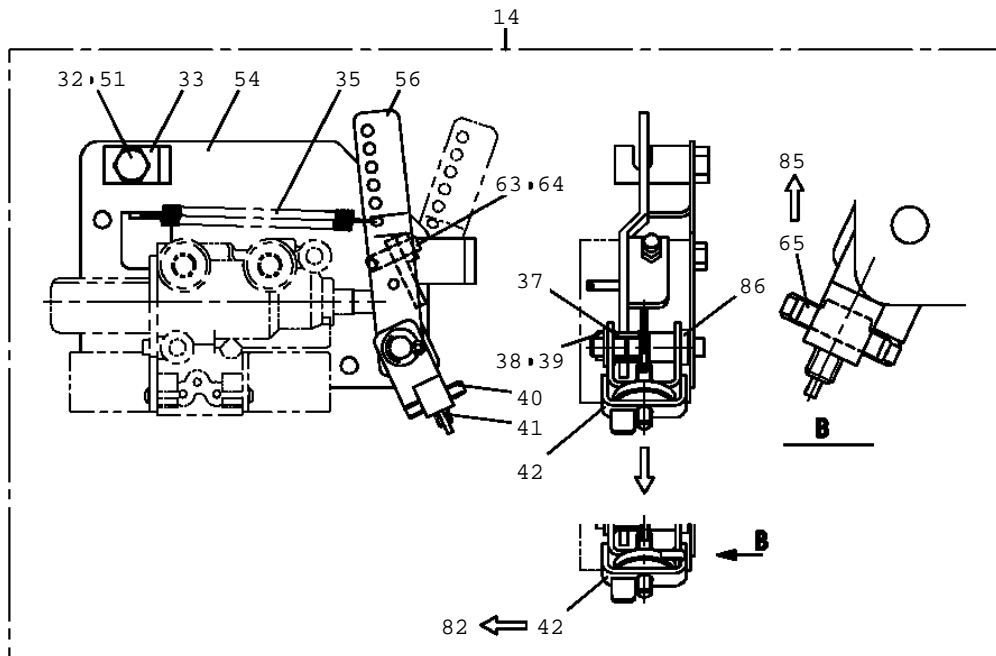
TM-ZF360 41102210360A FRAME/STD,REMOTE-RADIO CONT.,HOOK-IN

Pos No.	Parts No	Parts Name	Qty	Unit	Technical Data	Serial No (Start)	Serial :
1	31701580701	LEVER	1				
2	31701580801	LEVER	1				
3	31322050510	KNOB (BLACK)	2				
4	37000150250	PIN ASSY	1				
5	37000105610	PIN	2		L=18		
6	80620210050	PIN,SNAP	2				
7	31322224200	PLATE	1		L=1		
8	80136340020	PIN,SPLIT	1		4X20		
21	80136340020	PIN,SPLIT	1		4X20		
22	37000150260	PIN	1				

TM-ZF360 41102210360A FRAME/STD,REMOTE-RADIO CONT.,HOOK-IN
PL1030415-05 OPERATION SYSTEM, ACCELERATOR



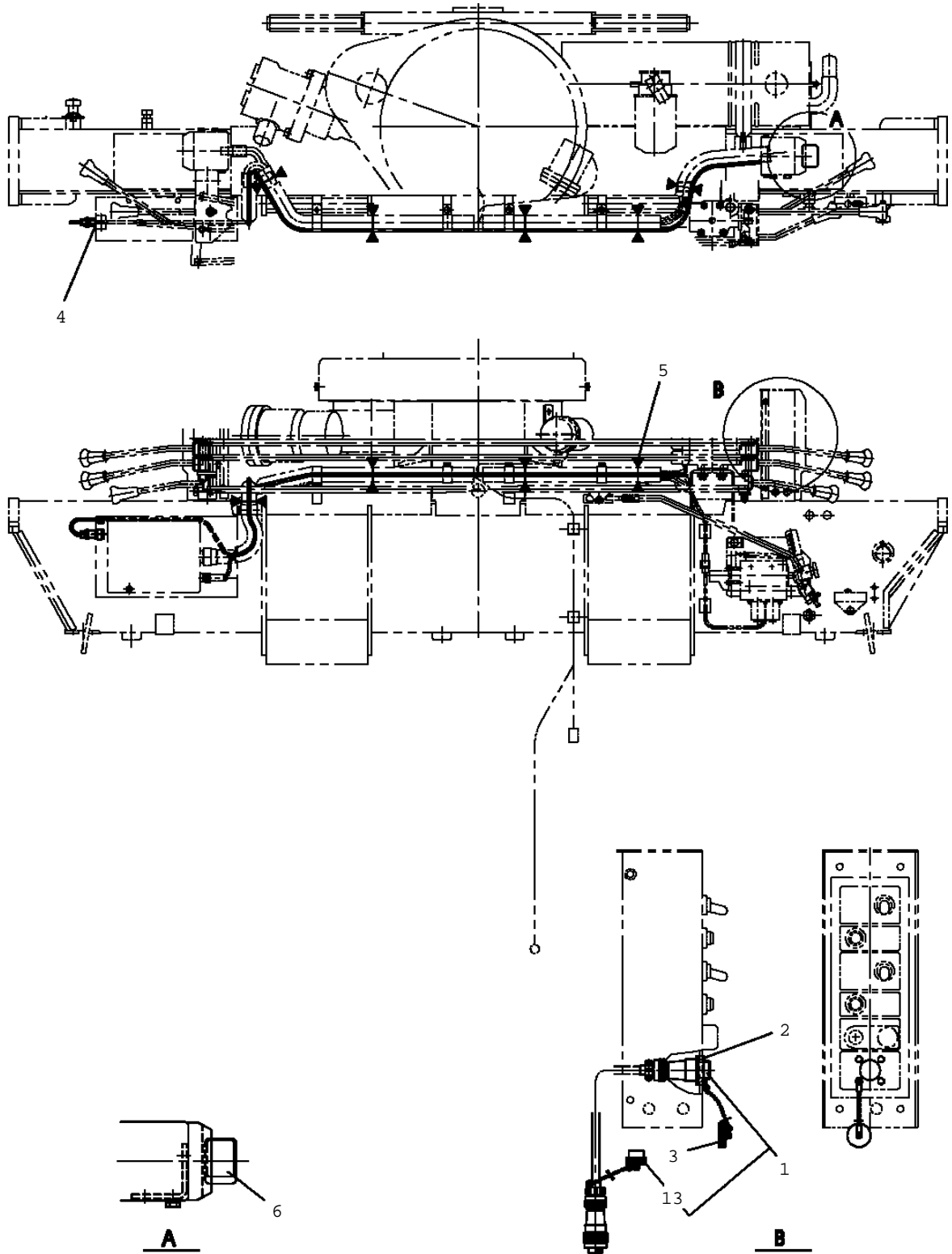
TM-ZF360 41102210360A FRAME/STD,REMOTE-RADIO CONT.,HOOK-IN
PL1030415-05 OPERATION SYSTEM, ACCELERATOR



TM-ZF360 41102210360A FRAME/STD,REMOTE-RADIO CONT.,HOOK-IN

Pos No.	Parts No	Parts Name	Qty	Unit	Technical Data	Serial No (Start)	Serial No (End)
1	80136340020	PIN,SPLIT	1		4X20		
2	90303071001	WASHER,PLAIN	1		10		
6	90101208016	BOLT	4		M8X16		
7	90302040801	WASHER,SPRING	4		8		
9	80620210050	PIN,SNAP	1				
10	90303070501	WASHER,PLAIN	1		5		
12	31330912000	PLATE,CAUTION	1				
14	31330931000	OPERATION UNIT	1				
15	31331120100	ROD ASSY	1				
16	31330931500	PLATE	1				
32	90302041001	WASHER,SPRING	1		10		
33	31330861400	SUPPORT	1				
35	37001300150	SPRING	1				
37	37000401920	BEARING,PLAIN	2				
38	90303071001	WASHER,PLAIN	1		10		
39	80136340020	PIN,SPLIT	1		4X20		
40	31330911600	PLATE	1				
42	31330911701	SUPPORT	1				EE701
51	90101210020	BOLT	1		M10X20		
63	90710708300	SCREW,SET	1		M8		
64	90201200800	NUT	1		M8		
74	31330931100	SUPPORT	1				
76	31330931300	LINK	1				
81	31330931200	LINK	1				
82	31330911702	SUPPORT	1			EE7014	
85	31330931601	SPRING	1			EE7014	
86	37000311680	SPACER	1			EE7014	

TM-ZF360 41102210360A FRAME/STD,REMOTE-RADIO CONT.,HOOK-IN
PN1011420-00 ELEC.ASSY (REMOTE CONTROL)

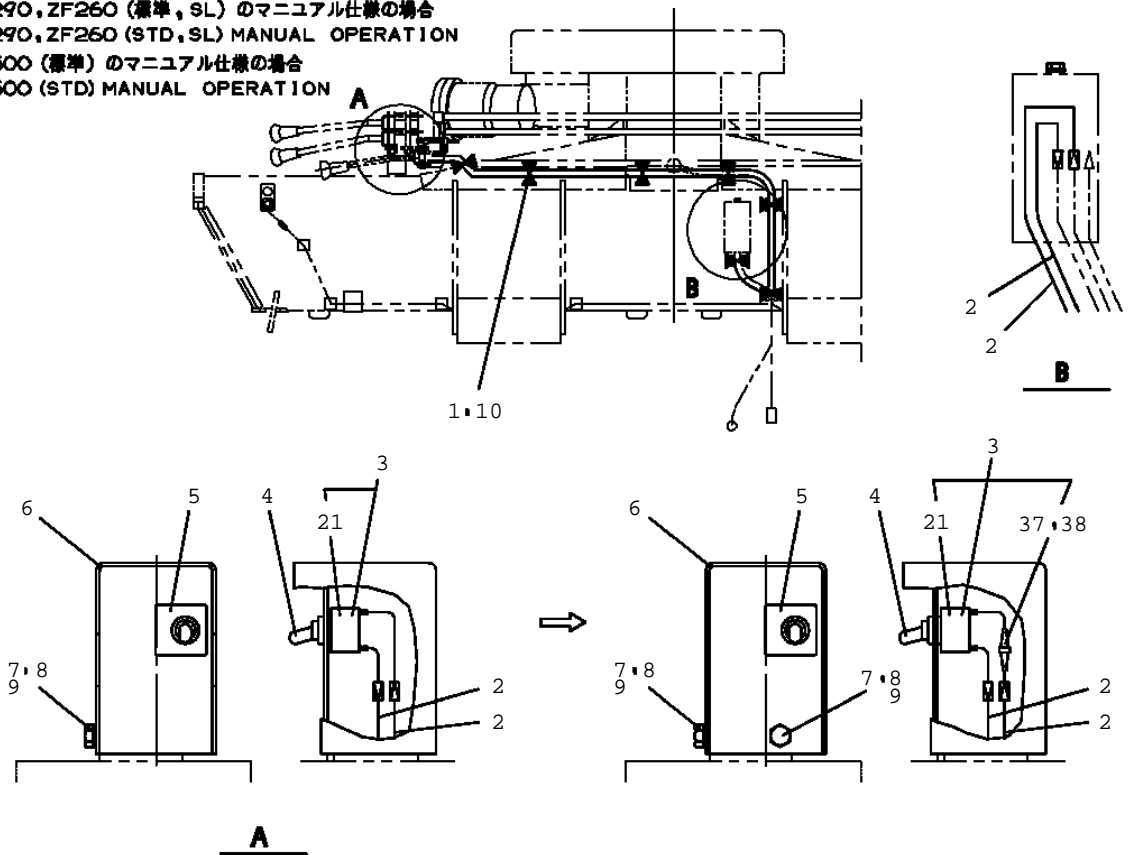


TM-ZF360 41102210360A FRAME/STD,REMOTE-RADIO CONT.,HOOK-IN

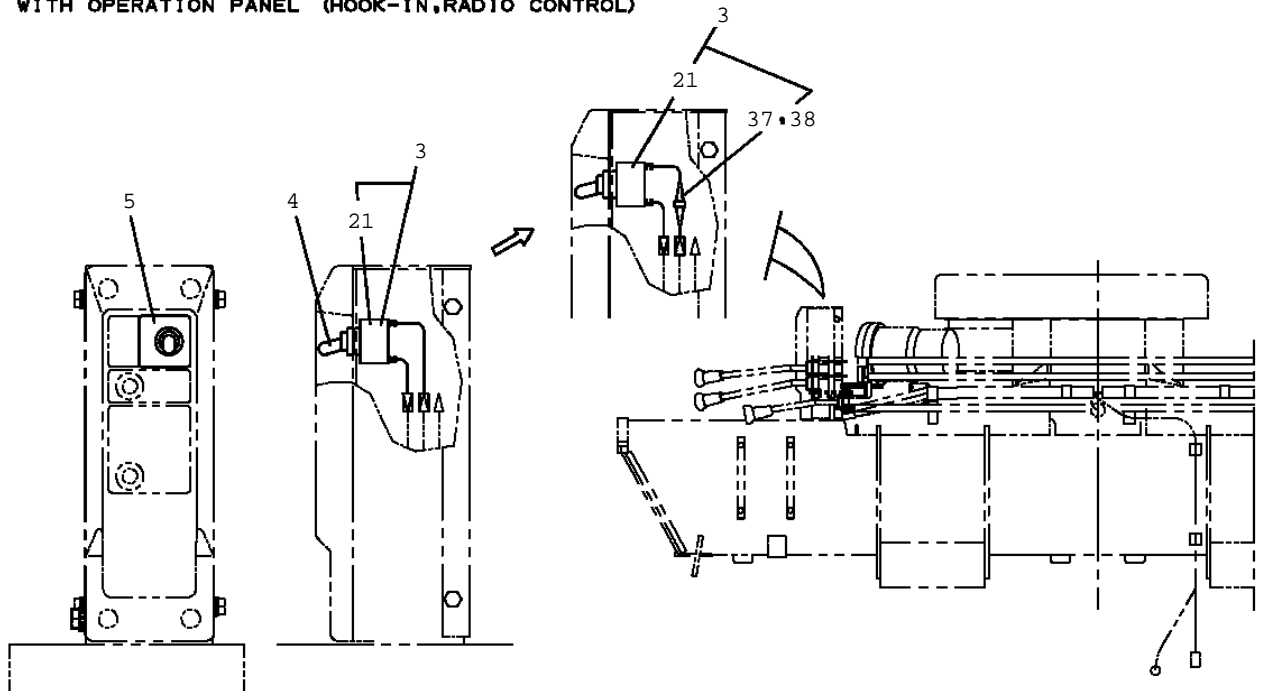
Pos No.	Parts No	Parts Name	Qty	Unit	Technical Data	Serial No (Start)	Serial
1	31651762300	HARNESS	1				
2	80192483010	SCREW,MACHINE	4		M3X10		
3	82100002490	CAP	1				
4	82401600510	CLAMP	1		10		
5	91810130250	FASTENER	6				
6	31651760800	PLATE,CAUTION	1				
13	82100002478	CAP	1				

TM-ZF360 41102210360A FRAME/STD,REMOTE-RADIO CONT.,HOOK-IN
 PN1011422-02 ELEC.ASSY (LOWER,LAMP)

(ZF300 (標準, SL) のマニュアル仕様の場合
 ZF300 (STD, SL) MANUAL OPERATION
 (ZF290, ZF260 (標準, SL) のマニュアル仕様の場合
 ZF290, ZF260 (STD, SL) MANUAL OPERATION
 (ZF500 (標準) のマニュアル仕様の場合
 ZF500 (STD) MANUAL OPERATION

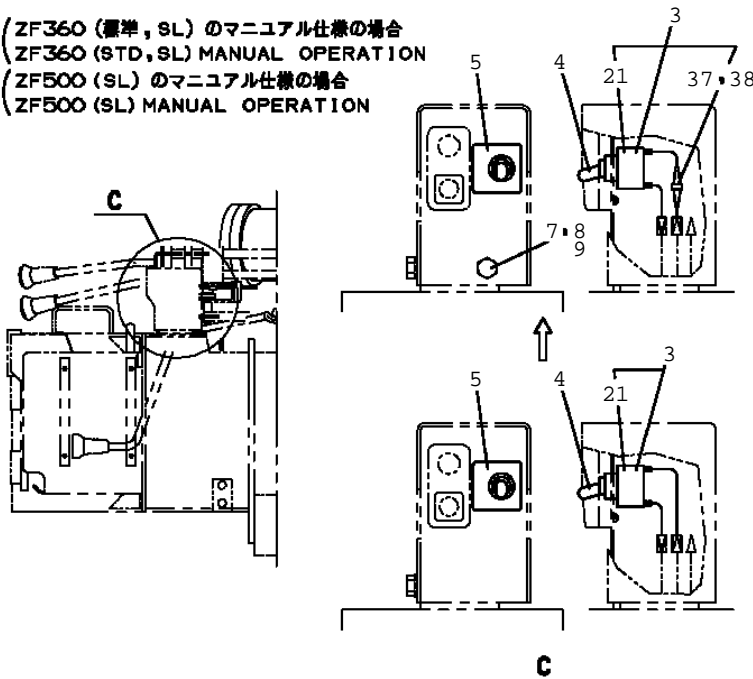


操作パネルがある場合 (フックイン, 及びラジコン仕様)
 WITH OPERATION PANEL (HOOK-IN, RADIO CONTROL)

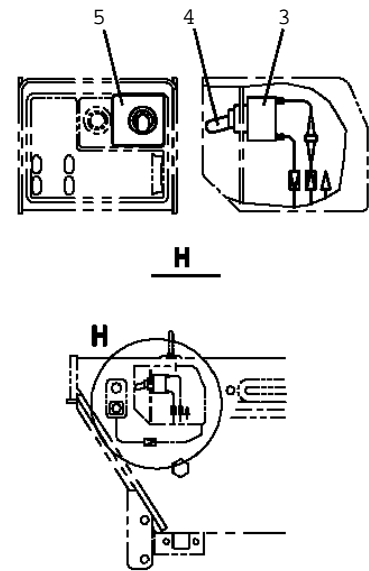


TM-ZF360 41102210360A FRAME/STD,REMOTE-RADIO CONT.,HOOK-IN
 PN1011422-02 ELEC.ASSY (LOWER,LAMP)

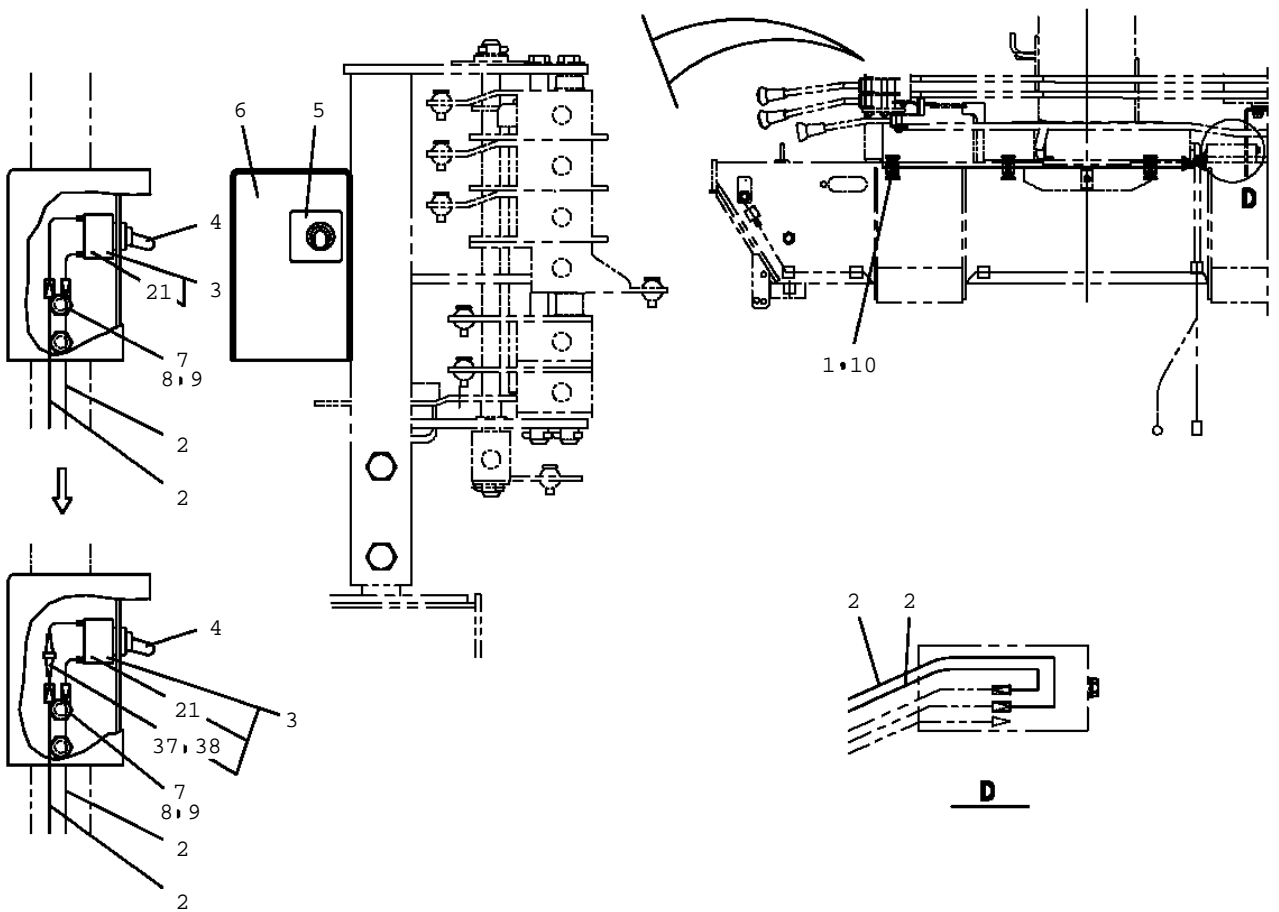
(ZF360 (標準, SL) のマニュアル仕様の場合
 ZF360 (STD, SL) MANUAL OPERATION
 ZF500 (SL) のマニュアル仕様の場合
 ZF500 (SL) MANUAL OPERATION



(ZF230 のフックイン, 及びラジコン仕様の場合
 ZF230 HOOK-IN, RADIO CONTROL



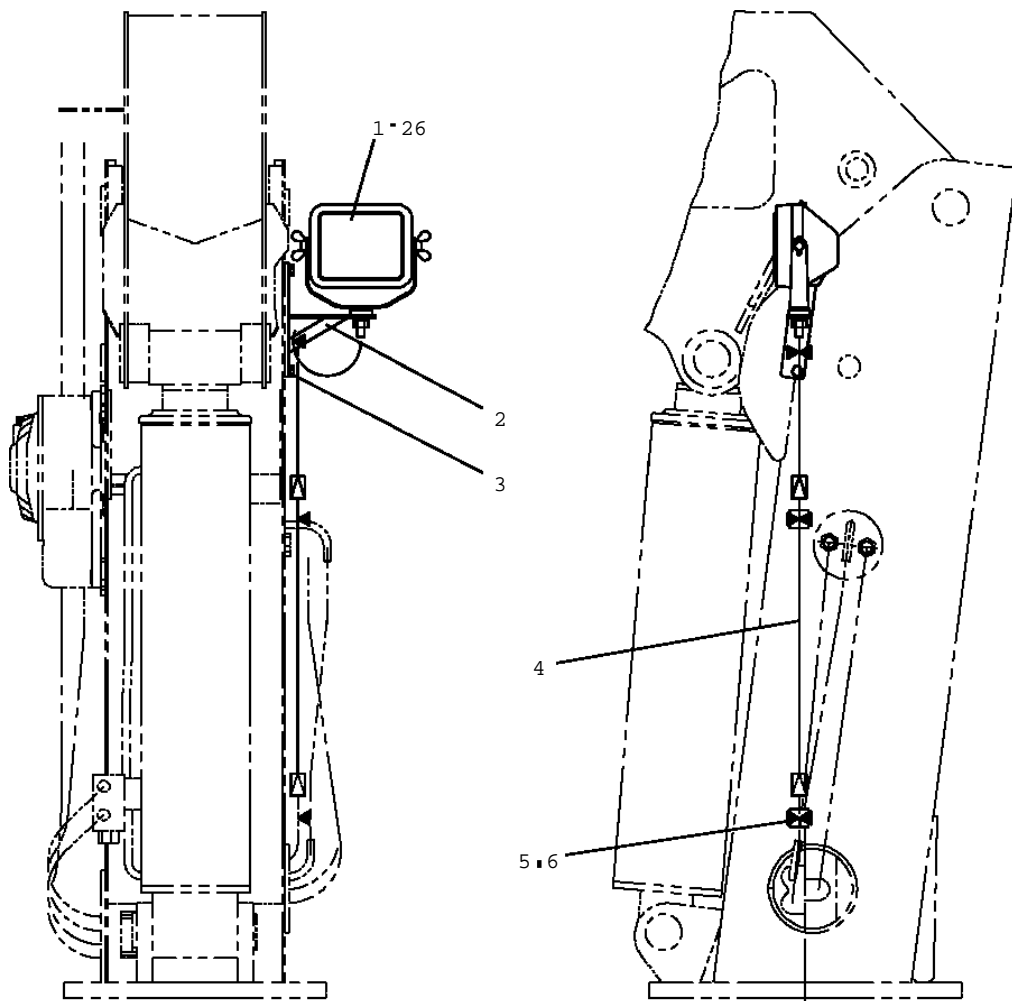
(ZF230 のマニュアル仕様の場合
 ZF230 MANUAL OPERATION



TM-ZF360 41102210360A FRAME/STD,REMOTE-RADIO CONT.,HOOK-IN

Pos No.	Parts No	Parts Name	Qty	Unit	Technical Data	Serial No (St
1	91810130240	FASTENER	7			
2	31473460300	HARNESS (RED)	2		L=1600	
3	31473460101	SWITCH ASSY	1			
4	82197518119	CAP (PLUS ONE MFG./BLACK)	1			
	82197518114	CAP (MATSUSHITA/BLACK)	1			
5	31473460400	PLATE,NAME	1			
6	31651814100	PANEL	1			
7	90101208014	BOLT	3		M8X14	
8	90303070801	WASHER,PLAIN	3		8	
9	90302040801	WASHER,SPRING	3		8	
10	82401601002	CLAMP	3			
21	82105410110	SWITCH,TOGGLE	1			
37	82100000745	FUSE	1		10A,6.5X30	
38	82100002832	HOLDER,FUSE	1			

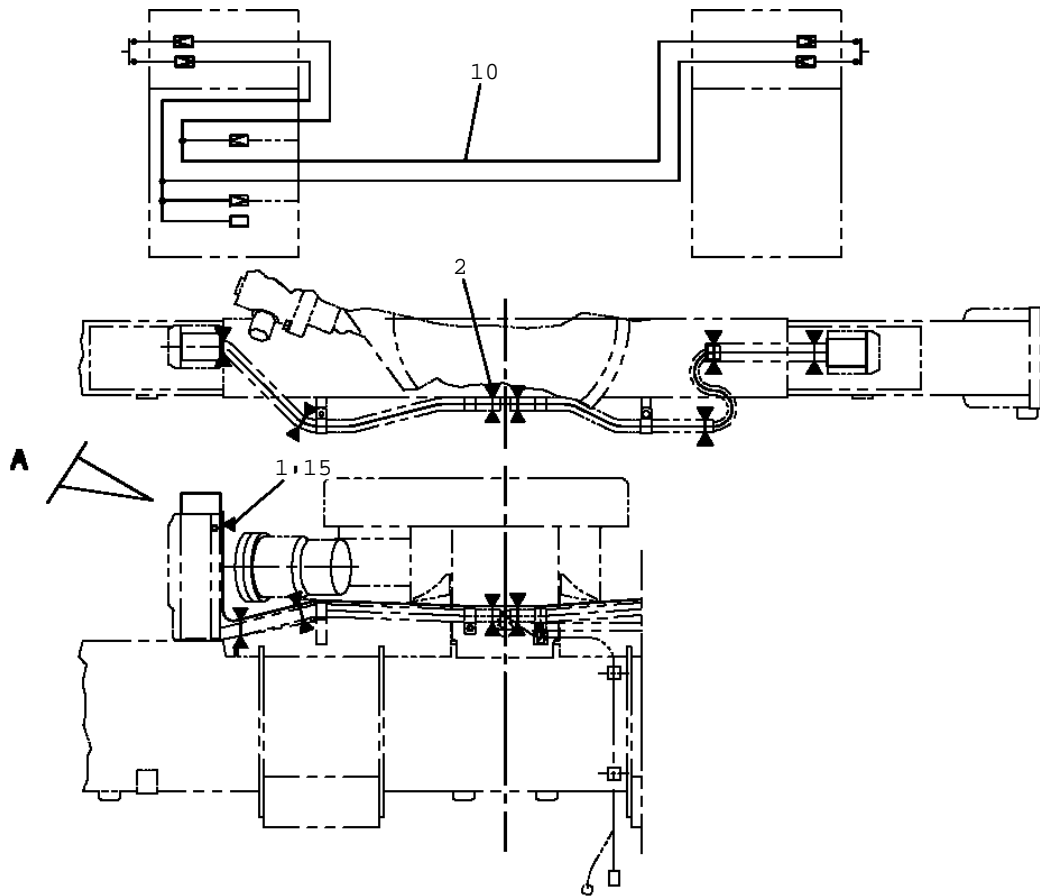
TM-ZF360 41102210360A FRAME/STD,REMOTE-RADIO CONT.,HOOK-IN
PN1011423-03 ELEC.ASSY (UPPER,LAMP/POST)



TM-ZF360 41102210360A FRAME/STD,REMOTE-RADIO CONT.,HOOK-IN

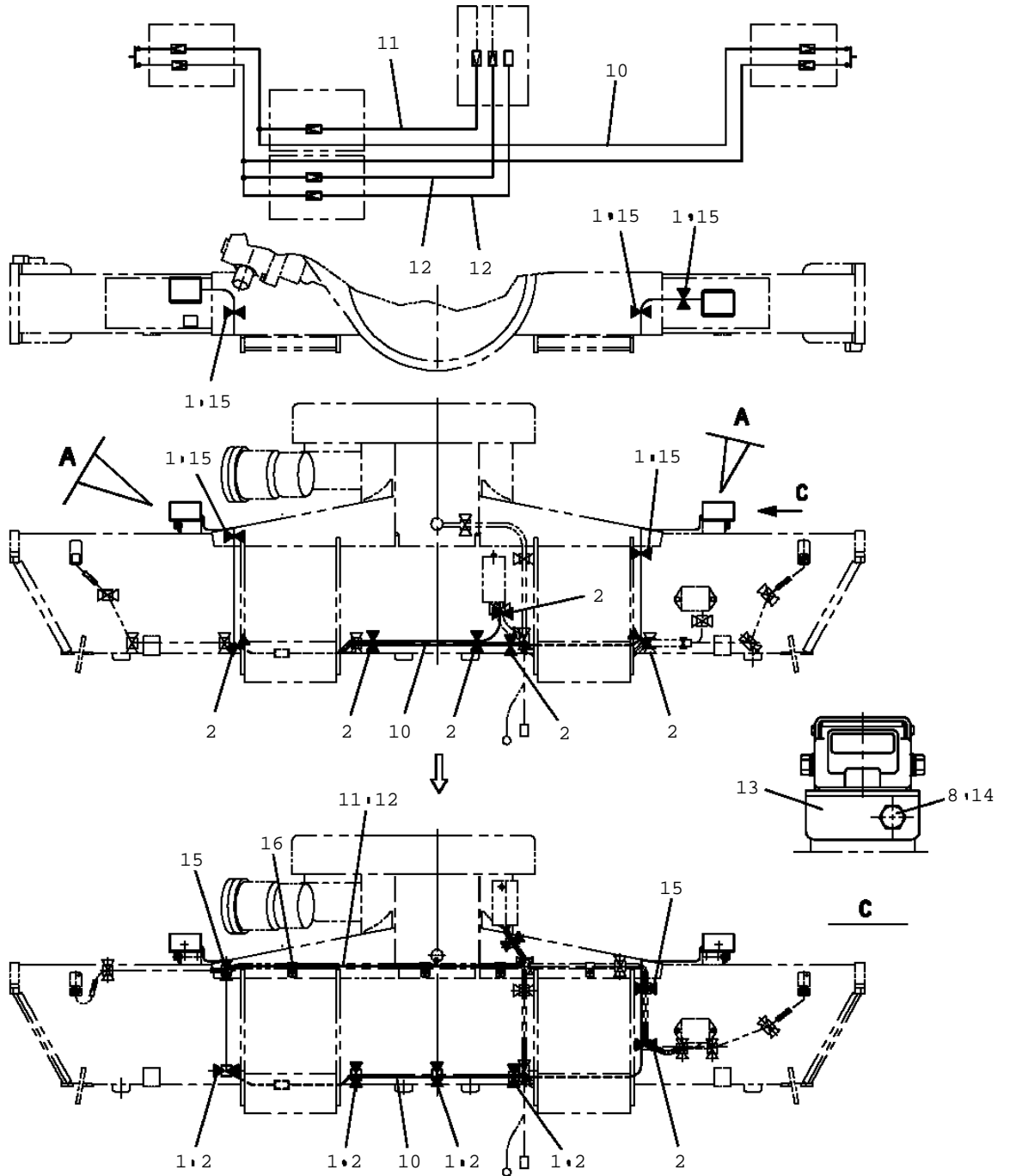
Pos No.	Parts No	Parts Name	Qty	Unit	Technical Data	Serial No (Start)	Serial No
1	82199100026	LAMP	1		24V 60W		
2	31473462100	SUPPORT	1				
3	90101208016	BOLT	2		M8X16		
4	31473462500	HARNES	1				
5	82401601002	CLAMP	2				
6	91810130240	FASTENER	3				
26	82100000054	BULB,LAMP	1		24V 60W		

TM-ZF360 41102210360A FRAME/STD,REMOTE-RADIO CONT.,HOOK-IN
PN1011425-01 ELEC.ASSY (DRUM FREE,OP.)



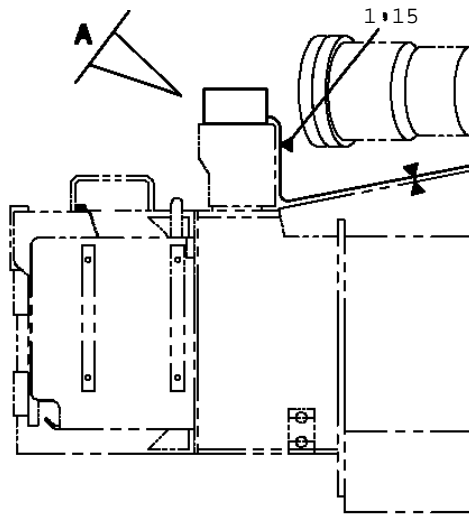
操作パネルがある場合 (ラジコン, リモコン仕様)
WITH CONTROL PANEL (RADIO CONTROL, REMOTE CONTROL)

TM-ZF360 41102210360A FRAME/STD,REMOTE-RADIO CONT.,HOOK-IN
 PN1011425-01 ELEC.ASSY (DRUM FREE,OP.)

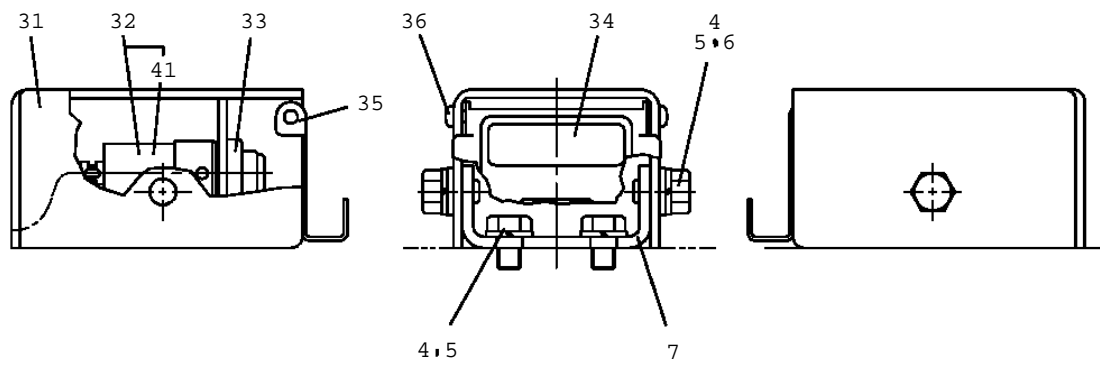
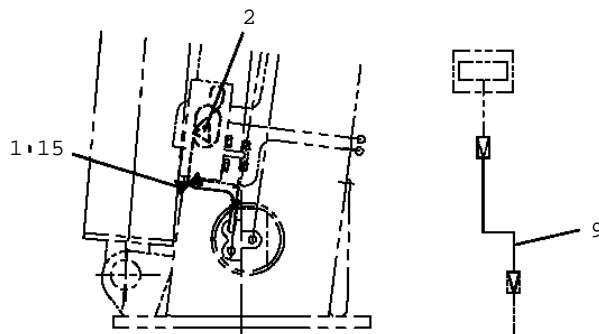


ZF300 (標準, SL) のマニュアル仕様の場合
 ZF300 (STD, SL) MANUAL OPERATION

TM-ZF360 41102210360A FRAME/STD,REMOTE-RADIO CONT.,HOOK-IN
 PN1011425-01 ELEC.ASSY (DRUM FREE,OP.)



ZF360 (標準,SL) のマニュアル仕様の場合
 ZF360 (STD,SL) MANUAL OPERATION

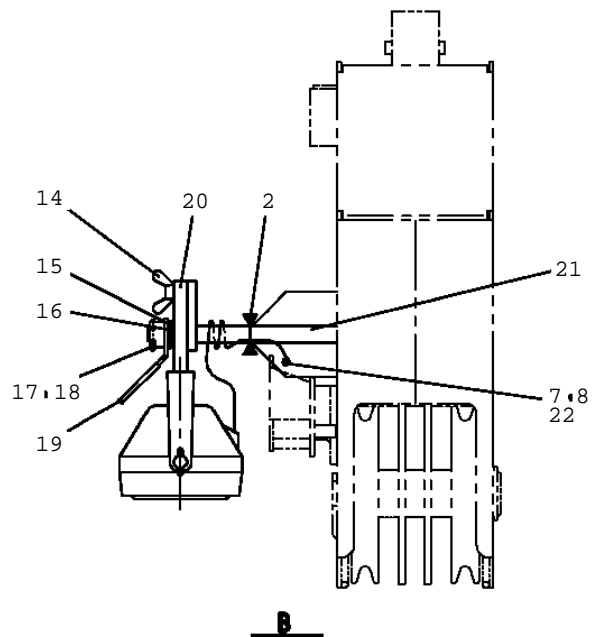
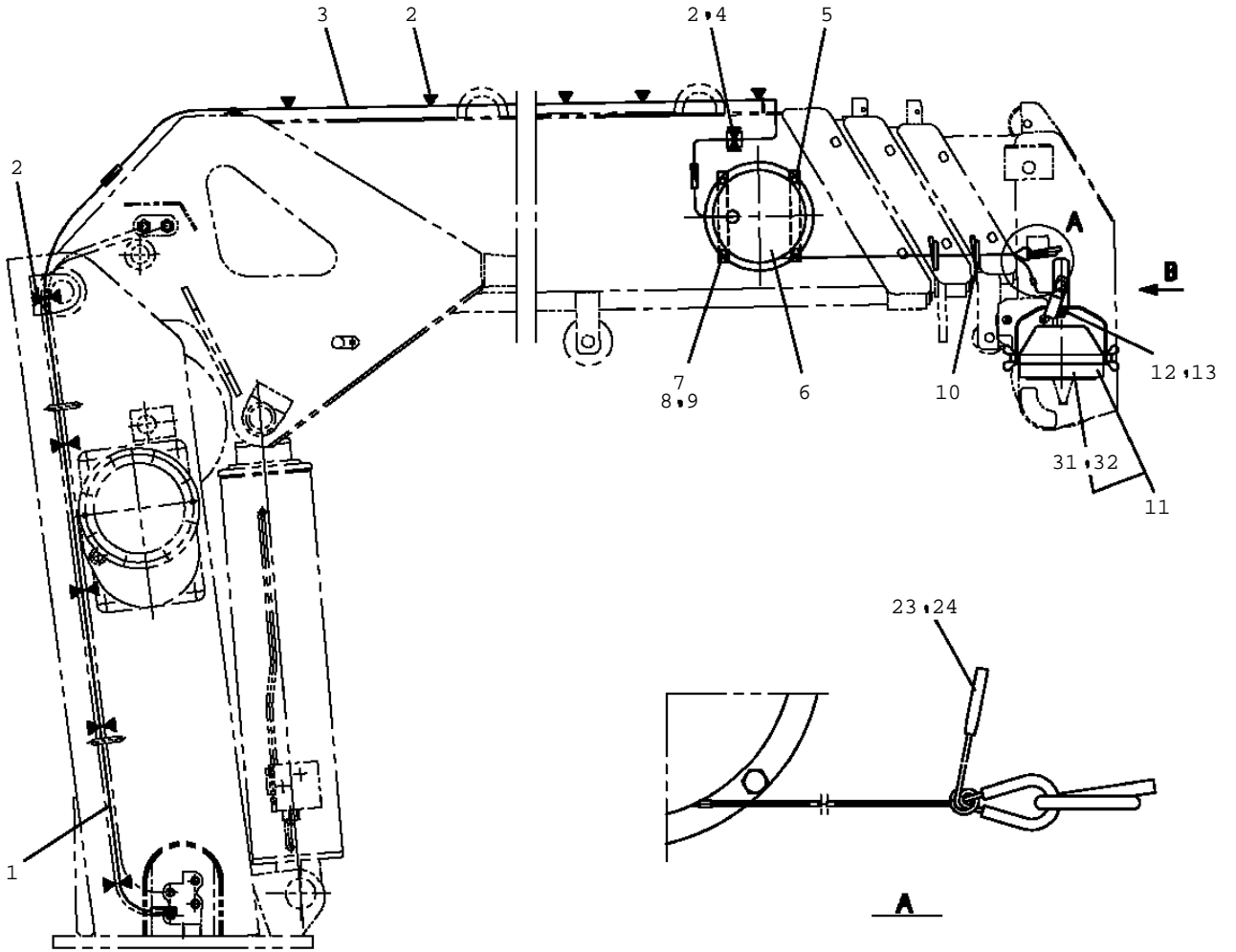


A

TM-ZF360 41102210360A FRAME/STD,REMOTE-RADIO CONT.,HOOK-IN

Pos No.	Parts No	Parts Name	Qty	Unit	Technical Data	Serial No (Start)	Serial
1	82401601002	CLAMP	8				
2	91810130250	FASTENER	7				
4	90101206010	BOLT	8		M6X1.0		
5	90302040601	WASHER, SPRING	8		6		
6	90303070601	WASHER, PLAIN	4		6		
7	31473744200	SUPPORT	2				
8	90302040801	WASHER, SPRING	2		8		
9	31473462500	HARNESS	1				
10	31473744500	HARNESS	1				
11	31380171500	HARNESS	1				
12	31473744700	HARNESS (RED)	2		L=1000		
13	31473744900	SUPPORT	2				
14	90101208012	BOLT	2		M8X12		
15	91810130240	FASTENER	6				
16	82100002008	CLAMP	3		WR12		
31	31473744110	PANEL	2				
32	31473744150	SWITCH ASSY	2				
33	82197600103	CAP (RED)	2				
34	31473744160	PLATE, NAME	2				
35	31473744170	COVER	2				
36	80172803008	SCREW, MACHINE	4		M3X8		
41	82101419002	SWITCH, PUSH	2				

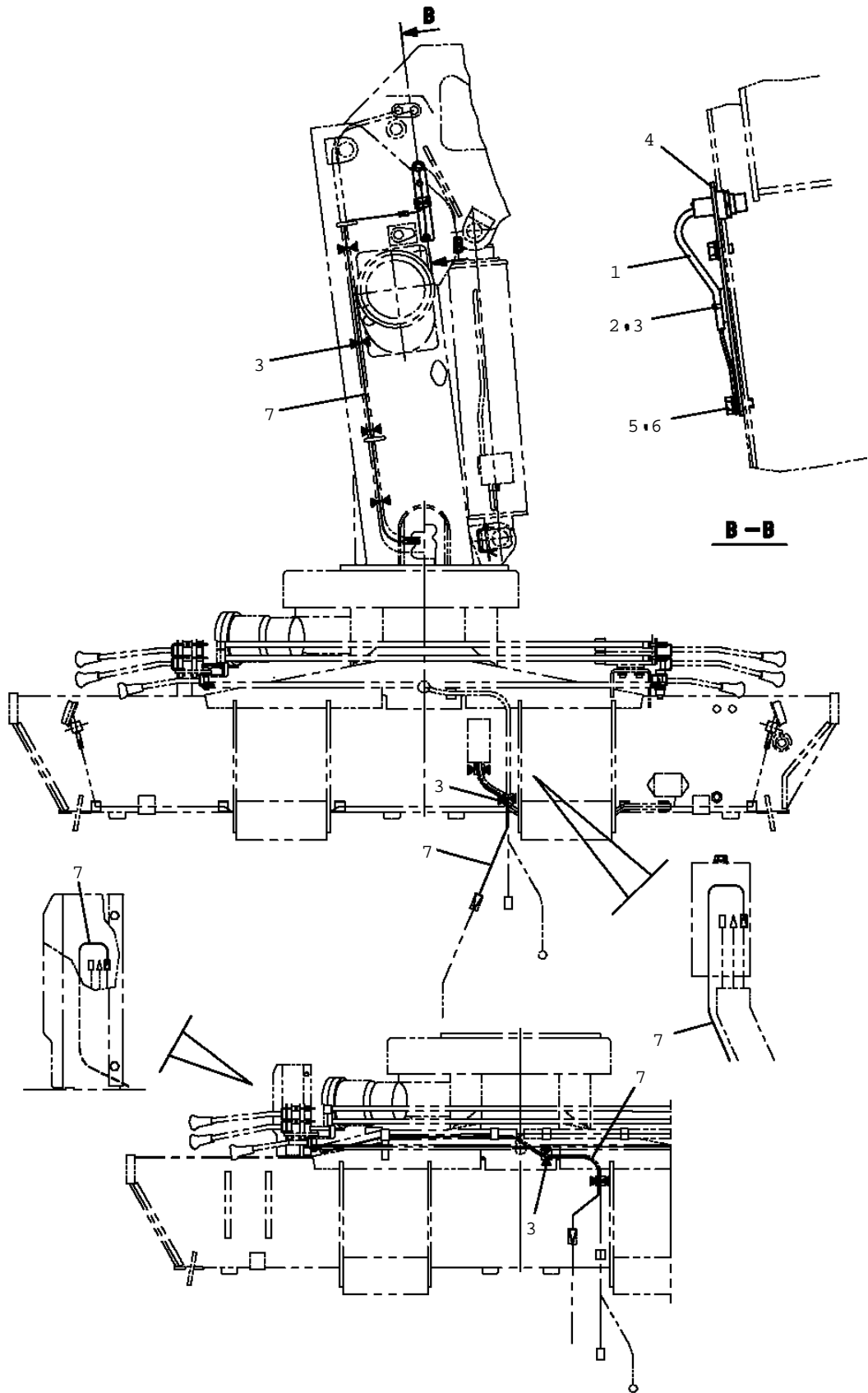
TM-ZF360 41102210360A FRAME/STD,REMOTE-RADIO CONT.,HOOK-IN
PN1011426-02 ELEC.ASSY (UPPER,LAMP/BOOM)



TM-ZF360 41102210360A FRAME/STD,REMOTE-RADIO CONT.,HOOK-IN

Pos No.	Parts No	Parts Name	Qty	Unit	Technical Data	Serial No (Start)	Se
1	31473460300	HARNES (RED)	1		L=1600		
2	91810130240	FASTENER	12				
3	31473472100	HARNES (RED)	1		L=3000		KB
	31501812100	HARNES	1		L=3000	KB0873	
4	82401601002	CLAMP	1				
5	31650690200	PLATE	2		T=9		
6	36160670000	REEL,CORD	1				KA
	36161770000	REEL ASSY,CORD	1			KA8920	KB
	36161700000	REEL ASSY,CORD	1			KB0873	
7	90102206014	BOLT	5		M6X14		
8	90302040601	WASHER,SPRING	5		6		
9	90303070601	WASHER,PLAIN	4		6		
10	32200156090	SUPPORT	5				
11	82165904030	LAMP	1		24V 45W		
12	90201201000	NUT	1		M10		
13	90302040201	WASHER,SPRING (2)	1				
14	90813108020	BOLT,WING	1		M8X20		
15	90309331201	WASHER	2		L12		
16	90303071201	WASHER,PLAIN	1		12		
17	80136325025	PIN,SPLIT	1		2.5X25		
18	90236201200	NUT,CASTLE	1		2H M12		
19	31650690500	LEVER	1				
20	31650690400	SUPPORT	1				
21	31650690300	SUPPORT	1				
22	90201200600	NUT	1		M6		
23	82100000191	TERMINAL	1				
24	82100000183	INSULATOR	1				
31	82166025550	BULB,LAMP	1		24V 45W		
32	82100002850	LENS	1				

TM-ZF360 41102210360A FRAME/STD,REMOTE-RADIO CONT.,HOOK-IN
PN1011427-00 ELEC.ASSY (ALARM,UPPER)

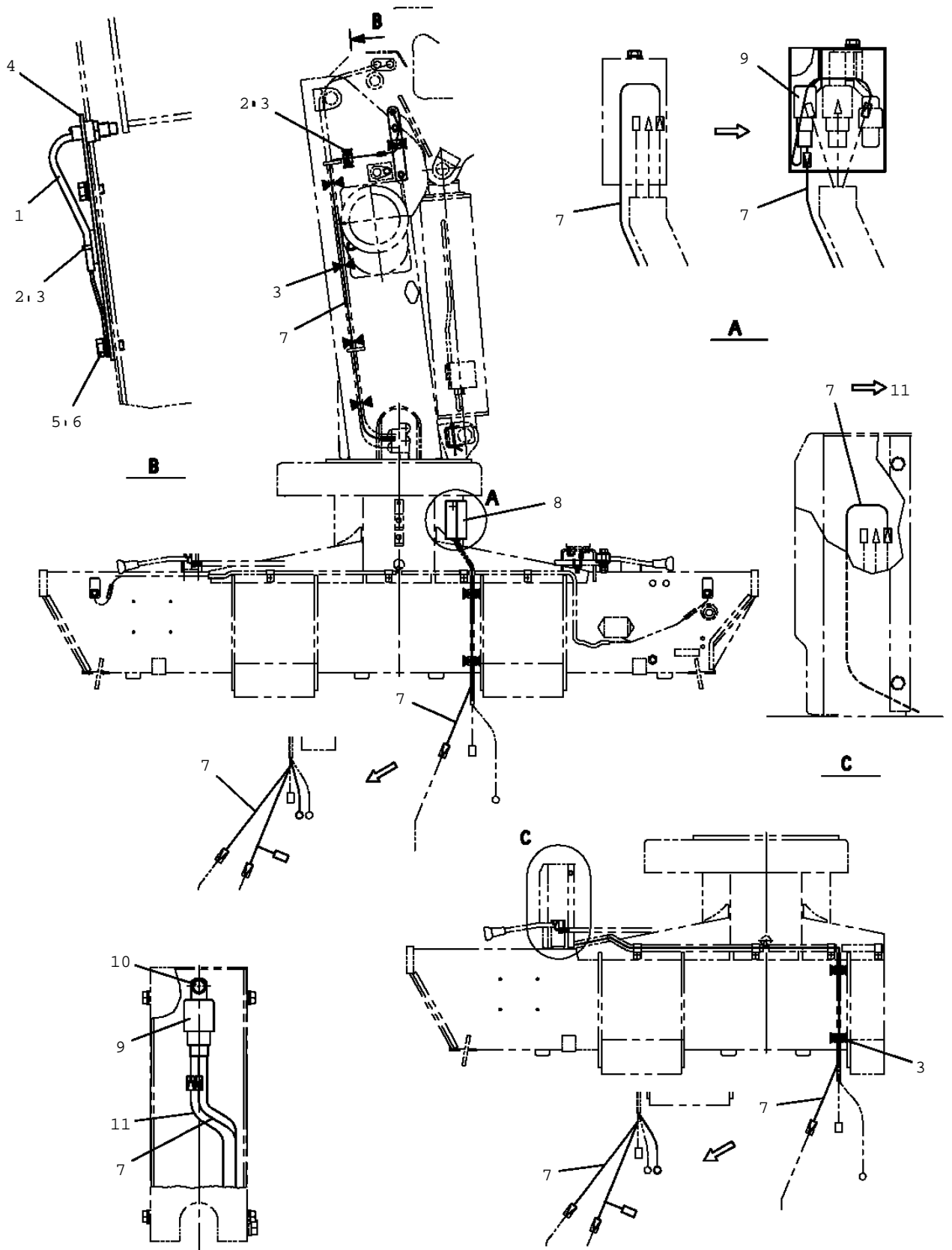


操作パネルがある場合 (フックイン, 及びラジコン仕様)
WITH OPERATION PANEL (HOOK-IN, RADIO CONTROL)

TM-ZF360 41102210360A FRAME/STD,REMOTE-RADIO CONT.,HOOK-IN

Pos No.	Parts No	Parts Name	Qty	Unit	Technical Data	Serial No (Start)	Serial
1	82108901150	SWITCH	1				KA3893
	82108501350	SWITCH	1			KA3894	
2	82401601002	CLAMP	1				
3	91810130240	FASTENER	7				
4	31380171100	SUPPORT	1				
5	90101208016	BOLT	2		M8X16		
6	90303070801	WASHER, PLAIN	2		8		
7	31380171500	HARNESS	2				

TM-ZF360 41102210360A FRAME/STD,REMOTE-RADIO CONT.,HOOK-IN
 PN1011685-01 ELEC.ASSY (ALARM,UPPER)



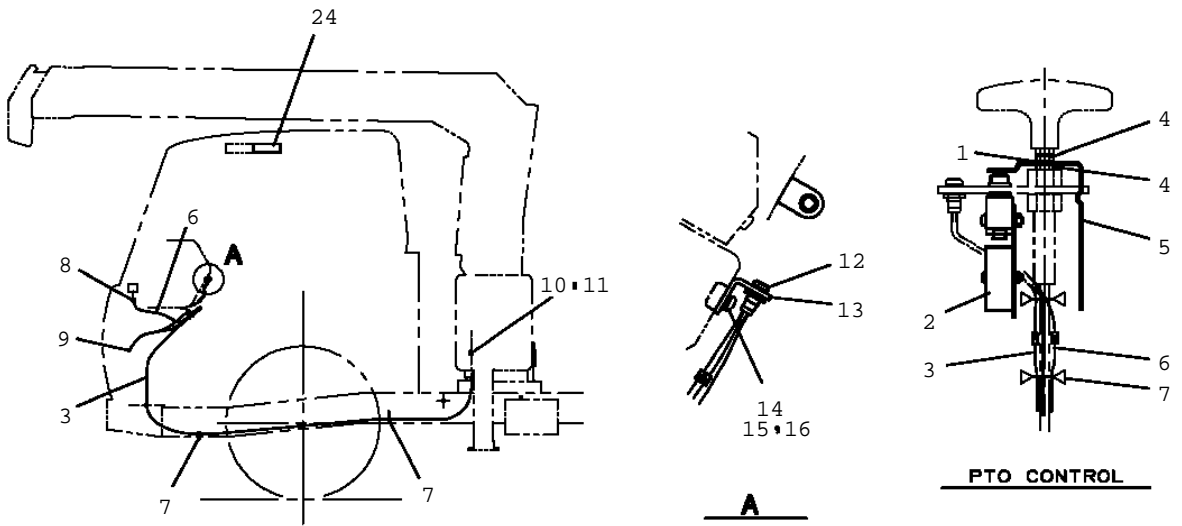
車両左側操作パネル

SEE THESE FIGURES IF THERE IS A CONTROL PANEL ON

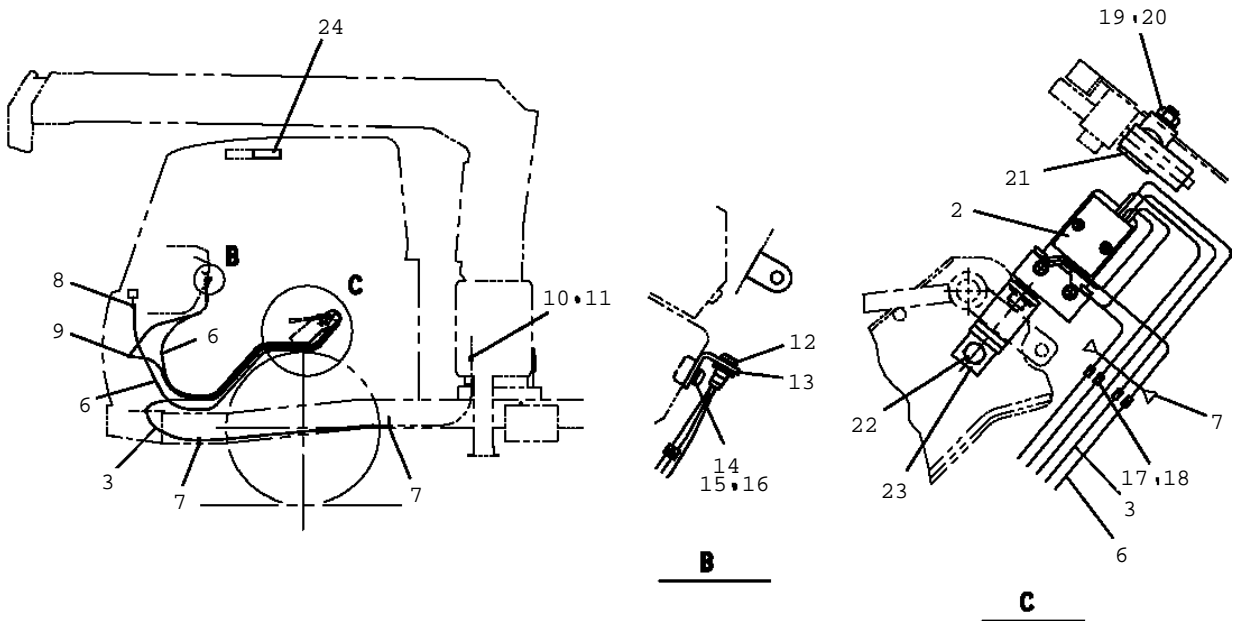
TM-ZF360 41102210360A FRAME/STD,REMOTE-RADIO CONT.,HOOK-IN

Pos No.	Parts No	Parts Name	Qty	Unit	Technical Data	Serial No (Start)	Serial :
1	82108901180	SWITCH	1		APS8-12GM-Z		
2	82401601002	CLAMP	2				
3	91810130240	FASTENER	8				
4	31380291100	SUPPORT	1				
5	90101208016	BOLT	2		M8X16		
6	90303070801	WASHER, PLAIN	2		8		
7	31652160100	HARNESS	2		L=1400		

TYPE A



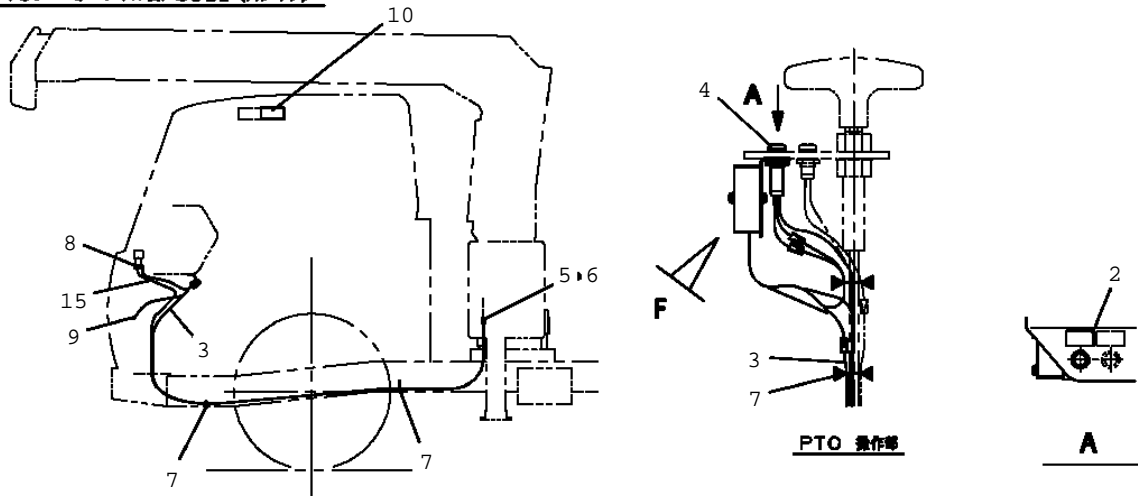
TYPE B



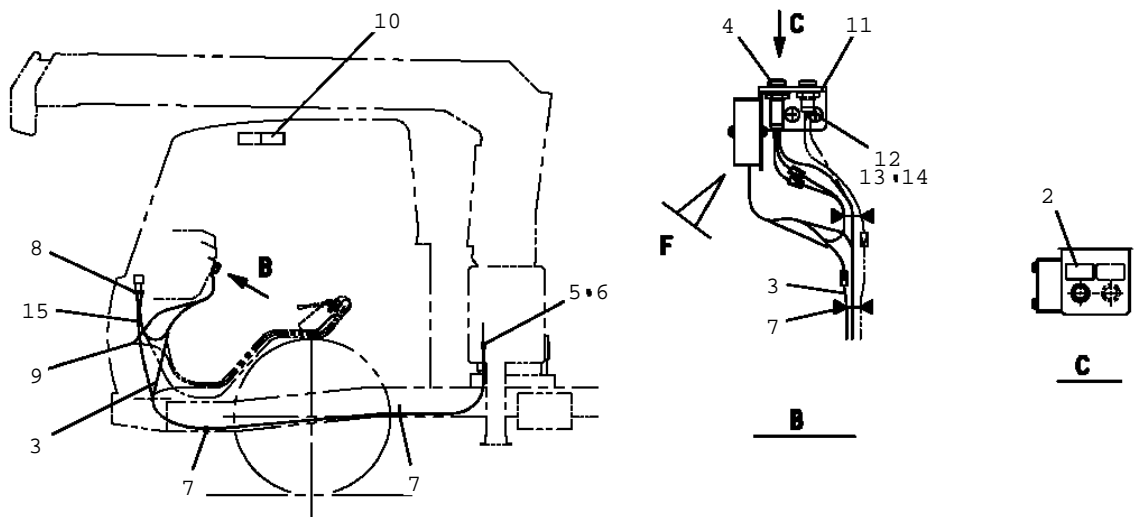
TM-ZF360 41102210360A FRAME/STD,REMOTE-RADIO CONT.,HOOK-IN

Pos No.	Parts No	Parts Name	Qty	Unit	Technical Data	Serial No (Sta
1	90304110601	WASHER,TOOTH	1		6	
2	31380172800	ALARM ASSY	1			
3	31380292500	HARNESS	1			
4	90203200600	NUT	2		M6	
5	31930440800	GUIDE	1			
6	31380292800	HARNESS	3			
7	91810130240	FASTENER	4			
8	82100002673	CONNECTOR (0.5-0.85,RED)	1			
9	82100001400	TERMINAL	2			
10	82100000191	TERMINAL	1			
11	82100000183	INSULATOR	1			
12	31380174000	LAMP ASSY	1			
13	31930280301	SUPPORT	1			
14	90302040501	WASHER,SPRING	1		5	
15	90303070501	WASHER,PLAIN	1		5	
16	80172305020	SCREW,MACHINE	1		M5X20	
17	82100000192	TERMINAL	2			
18	82100000182	INSULATOR	2			
19	90302040801	WASHER,SPRING	2		8	
20	90201200800	NUT	2		M8	
21	31930120201	SPRING	1			
22	90101208016	BOLT	2		M8X16	
23	31930120101	SUPPORT	1			
24	31380292700	PLATE,CAUTION	1			

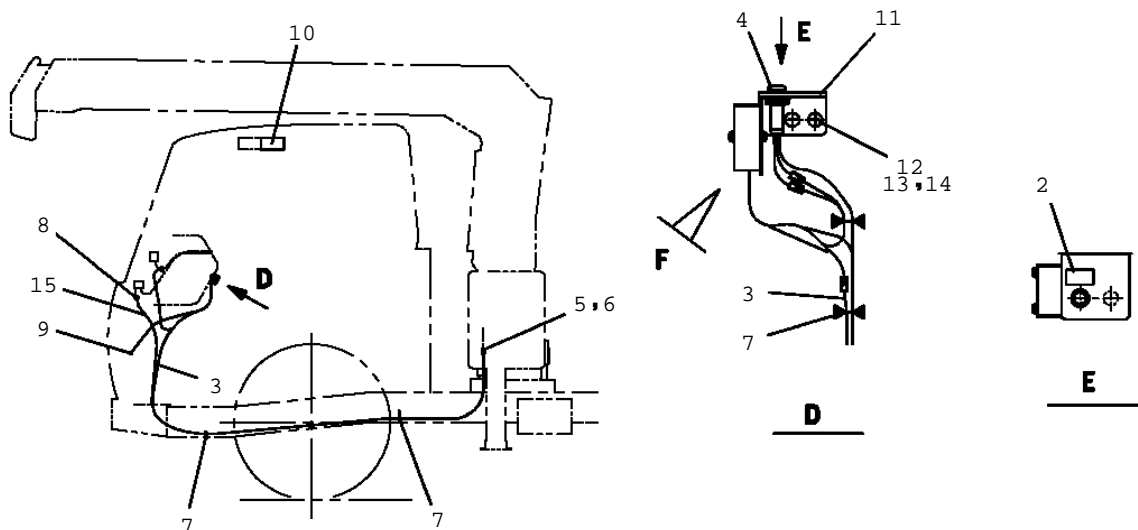
PTOレバーがハンドル横にある場合 (Aタイプ)



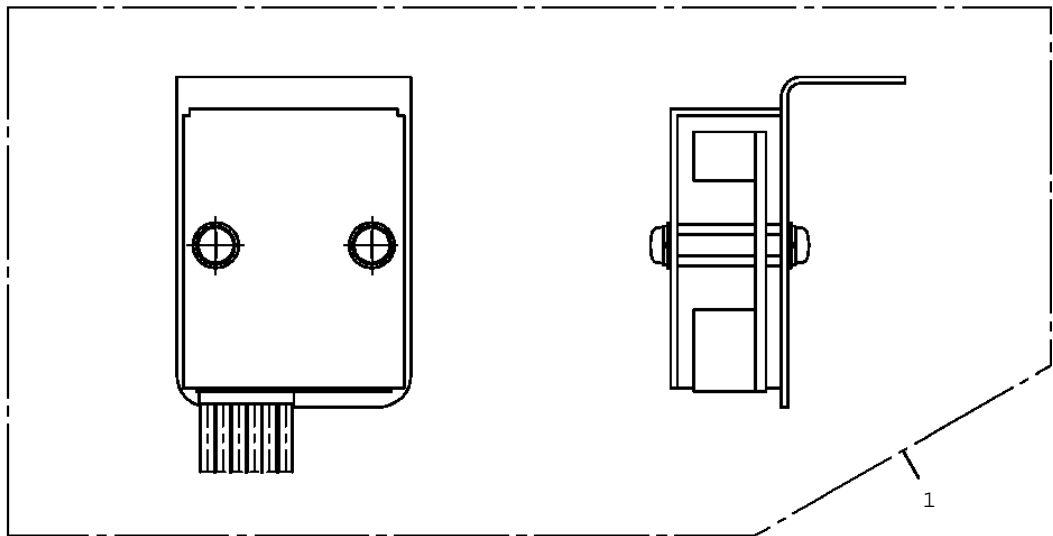
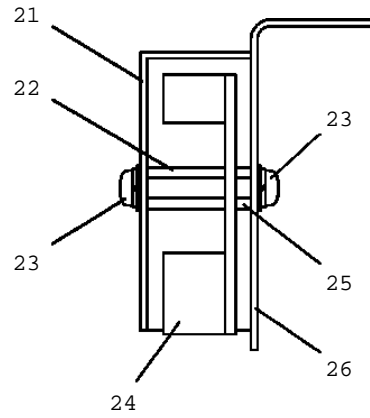
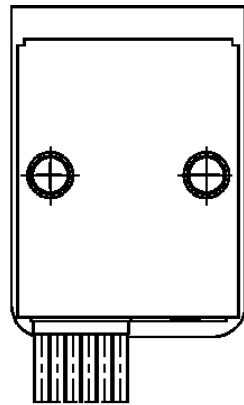
PTOレバーが基座横にある場合 (Bタイプ)



純正PTO付きの場合 (Cタイプ)



TM-ZF360 41102210360A FRAME/STD,REMOTE-RADIO CONT.,HOOK-IN
PN1011778-01 ELEC.ASSY (LOWAR)



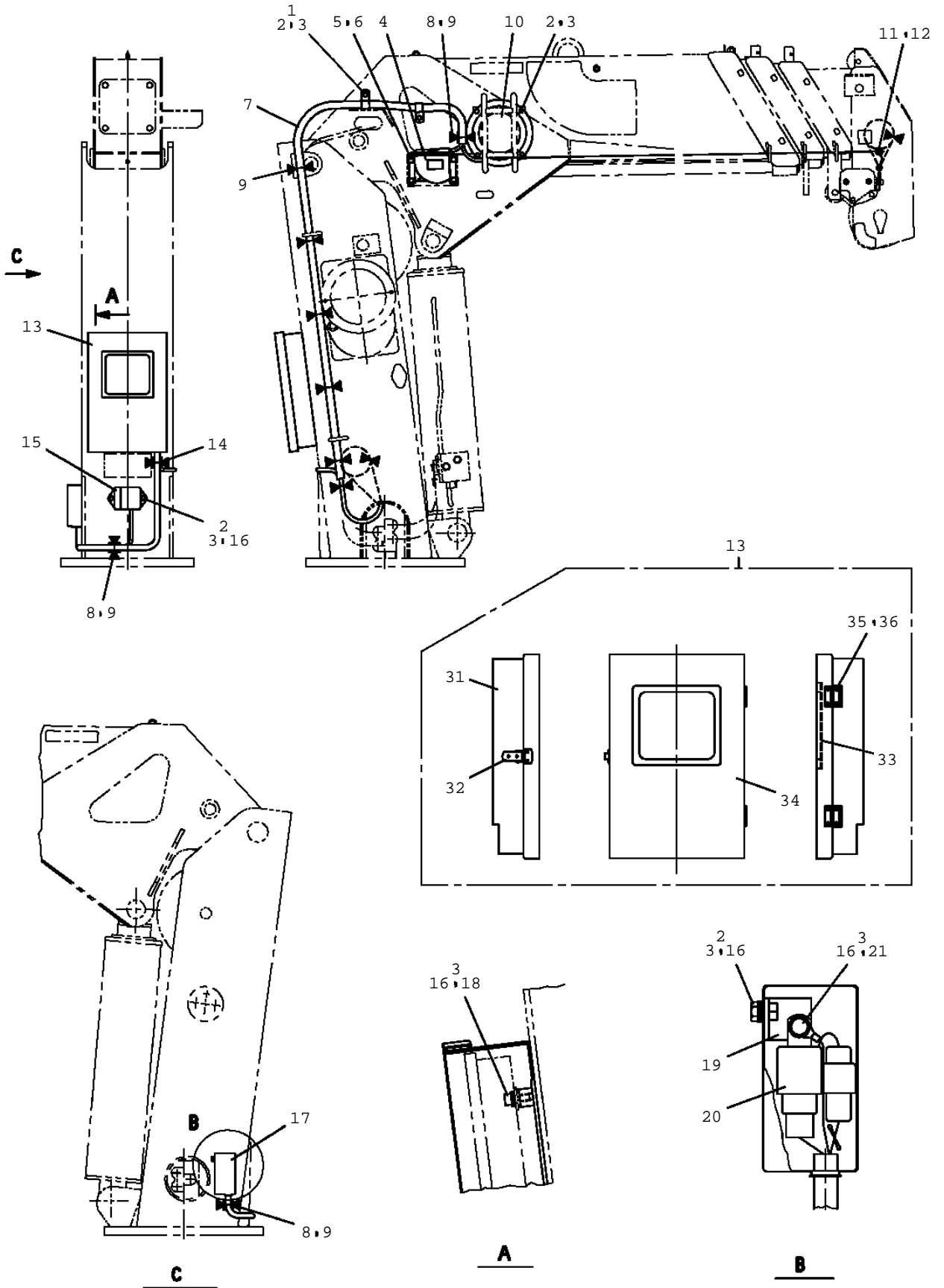
F



TM-ZF360 41102210360A FRAME/STD,REMOTE-RADIO CONT.,HOOK-IN

Pos No.	Parts No	Parts Name	Qty	Unit	Technical Data	Serial No (Sta
1	31380292101	ALARM ASSY	1			
2	31380292400	PLATE,NAME	1			
3	31380292500	HARNESS	1			
4	31380174000	LAMP ASSY	1			
5	82100000191	TERMINAL	1			
6	82100000183	INSULATOR	1			
7	91810130240	FASTENER	4			
8	82100002673	CONNECTOR (0.5-0.85,RED)	2			
9	82100001400	TERMINAL	2			
10	31380292700	PLATE,CAUTION	1			
11	31380292600	SUPPORT	1			
12	80172305020	SCREW,MACHINE	2		M5X20	
13	90302040501	WASHER,SPRING	2		5	
14	90303070501	WASHER,PLAIN	2		5	

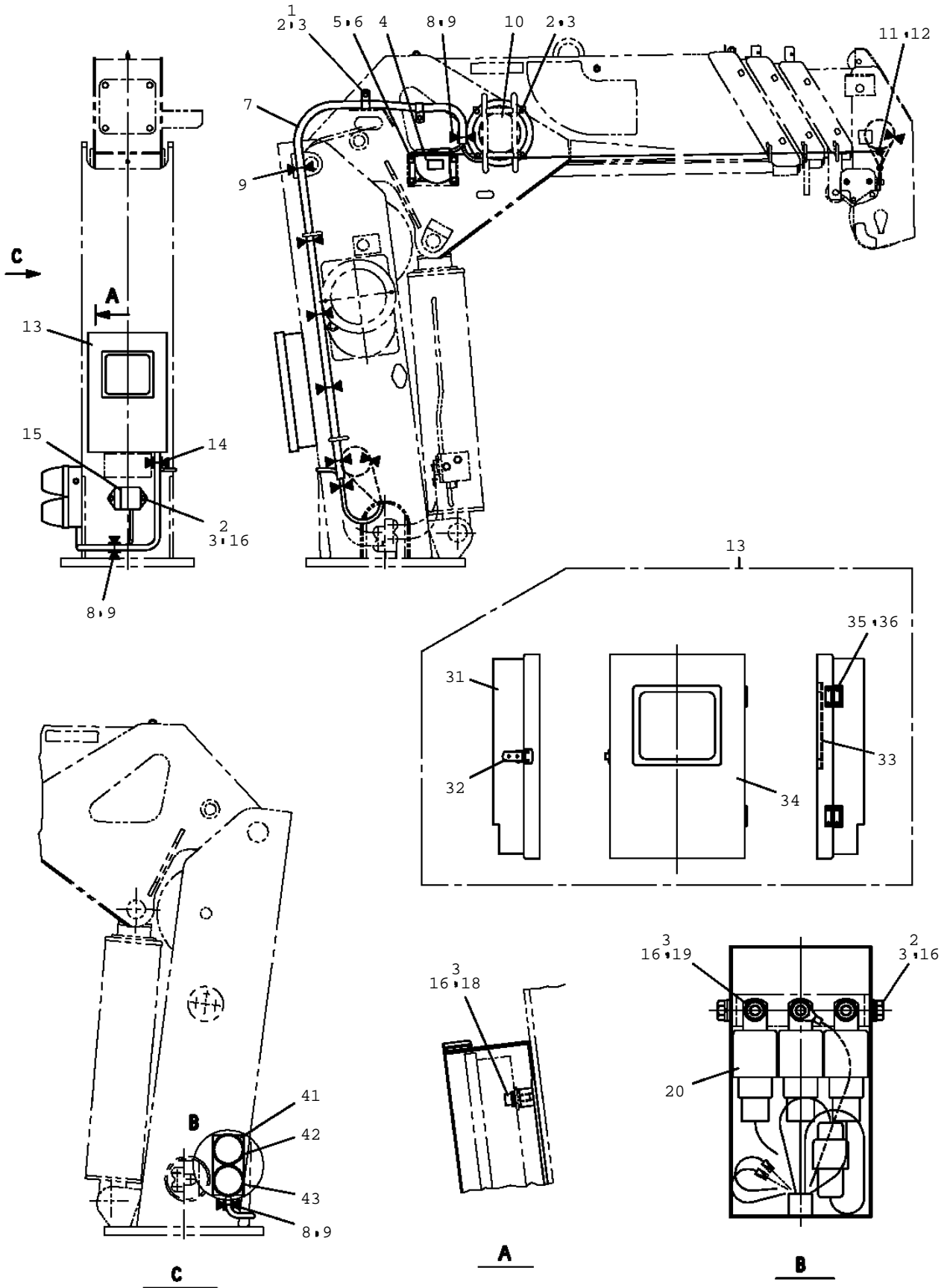
TM-ZF360 41102210360A FRAME/STD,REMOTE-RADIO CONT.,HOOK-IN
 PN1011779-00 ELEC.ASSY (AWL)



TM-ZF360 41102210360A FRAME/STD,REMOTE-RADIO CONT.,HOOK-IN

Pos No.	Parts No	Parts Name	Qty	Unit	Technical Data	Serial No (Start)
1	82100002014	CLAMP	2		WR20	
2	90101206010	BOLT	9		M6X1.0	
3	90302040601	WASHER,SPRING	14		6	
4	36140180000	DETECTOR,BOOM ANGLE	1			
5	90101208012	BOLT	4		M8X12	
6	90302040801	WASHER,SPRING	4		8	
7	31360191010	COVER	1			
8	82401601002	CLAMP	4			
9	91810130240	FASTENER	12			
10	36130800000	DETECTOR,BOOM LENGTH	1			
11	31360101000	SUPPORT	1			
12	90203401200	NUT	1		M16	
13	31360041000	COVER ASSY	1			
14	31473971100	HARNES	1			
15	31360191600	BUZZER ASSY	1			
16	90303070601	WASHER,PLAIN	8		6	
17	31651810200	COVER	1			
18	90131506016	BOLT,HEXAGON SOCKET	4		M6X16	
19	31651870400	SUPPORT	1			
20	82100002596	RELAY	1			
21	90101206016	BOLT	1		M6X16	
31	31360041100	SUPPORT	1			
32	90000000044	CATCH	1			
33	31360041300	PLATE	1			
34	31360041200	COVER	1			
35	82400000348	HINGE	2			
36	80172303008	SCREW,MACHINE	6		M3X8	

TM-ZF360 41102210360A FRAME/STD,REMOTE-RADIO CONT.,HOOK-IN
 PN1011780-00 ELEC.ASSY (AWL)

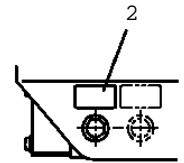
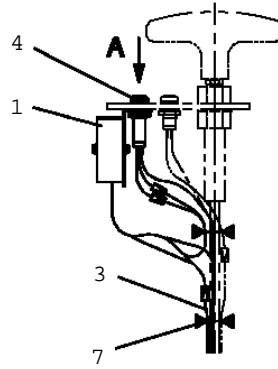
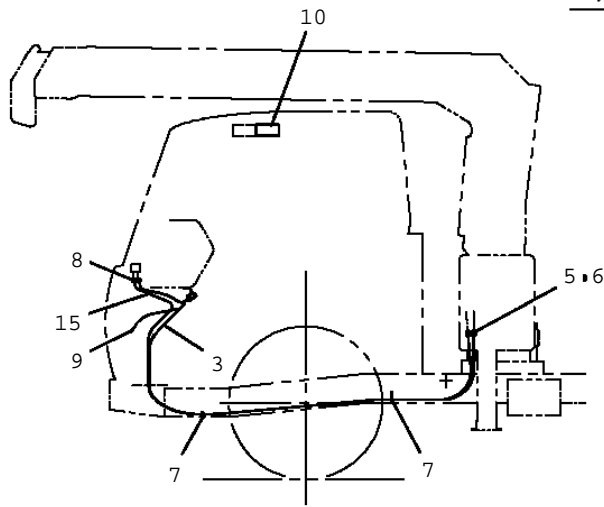


TM-ZF360 41102210360A FRAME/STD,REMOTE-RADIO CONT.,HOOK-IN

Pos No.	Parts No	Parts Name	Qty	Unit	Technical Data	Serial No (Start)
1	82100002014	CLAMP	2		WR20	
2	90101206010	BOLT	10		M6X1.0	
3	90302040601	WASHER,SPRING	17		6	
4	36140180000	DETECTOR,BOOM ANGLE	1			
5	90101208012	BOLT	4		M8X12	
6	90302040801	WASHER,SPRING	4		8	
7	31360191010	COVER	1			
8	82401601002	CLAMP	4			
9	91810130240	FASTENER	12			
10	36130800000	DETECTOR,BOOM LENGTH	1			
11	31360101000	SUPPORT	1			
12	90203401200	NUT	1		M16	
13	31360041000	COVER ASSY	1			
14	31474591100	HARNES	1			
15	31360191600	BUZZER ASSY	1			
16	90303070601	WASHER,PLAIN	11		6	
18	90131506016	BOLT,HEXAGON SOCKET	4		M6X16	
19	90201200600	NUT	3		M6	
20	82100002596	RELAY	3			
31	31360041100	SUPPORT	1			
32	90000000044	CATCH	1			
33	31360041300	PLATE	1			
34	31360041200	COVER	1			
35	82400000348	HINGE	2			
36	80172303008	SCREW,MACHINE	6		M3X8	
41	31474591210	SUPPORT	1			
42	82100002676	LAMP	1			
43	82199424421	LAMP	1			

TM-ZF360 41102210360A FRAME/STD,REMOTE-RADIO CONT.,HOOK-IN
 PN1011969-00 ELEC.ASSY (ALARM,LOWER)

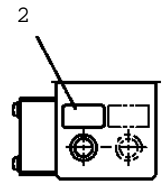
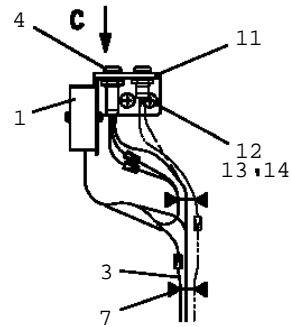
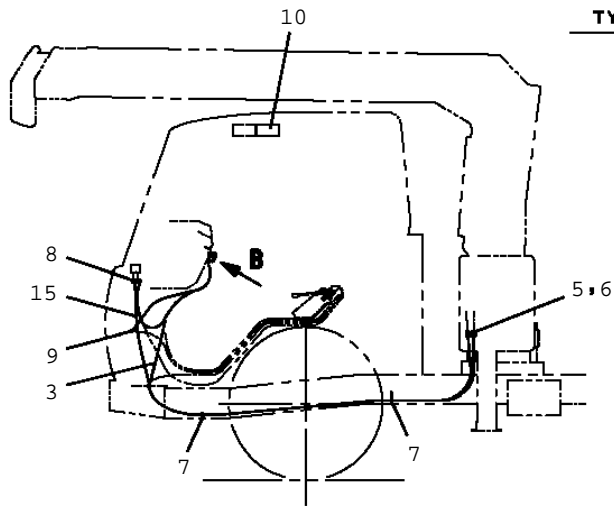
TYPE A



A

PTO CONTRL

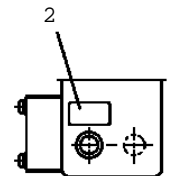
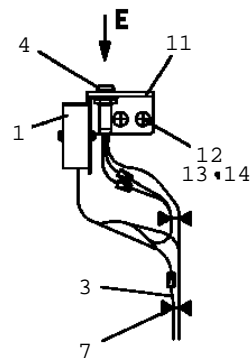
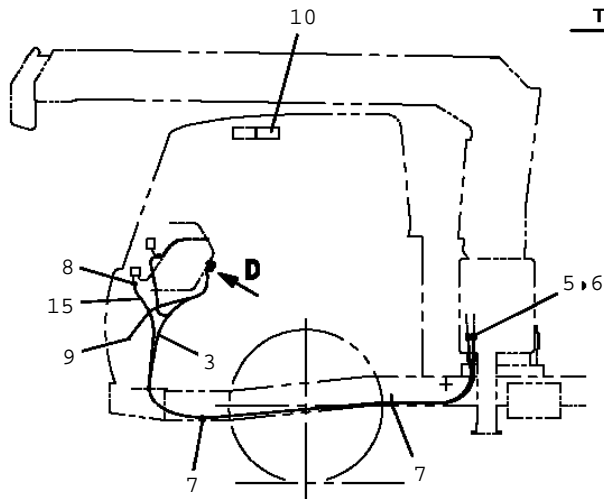
TYPE B



C

B

TYPE C



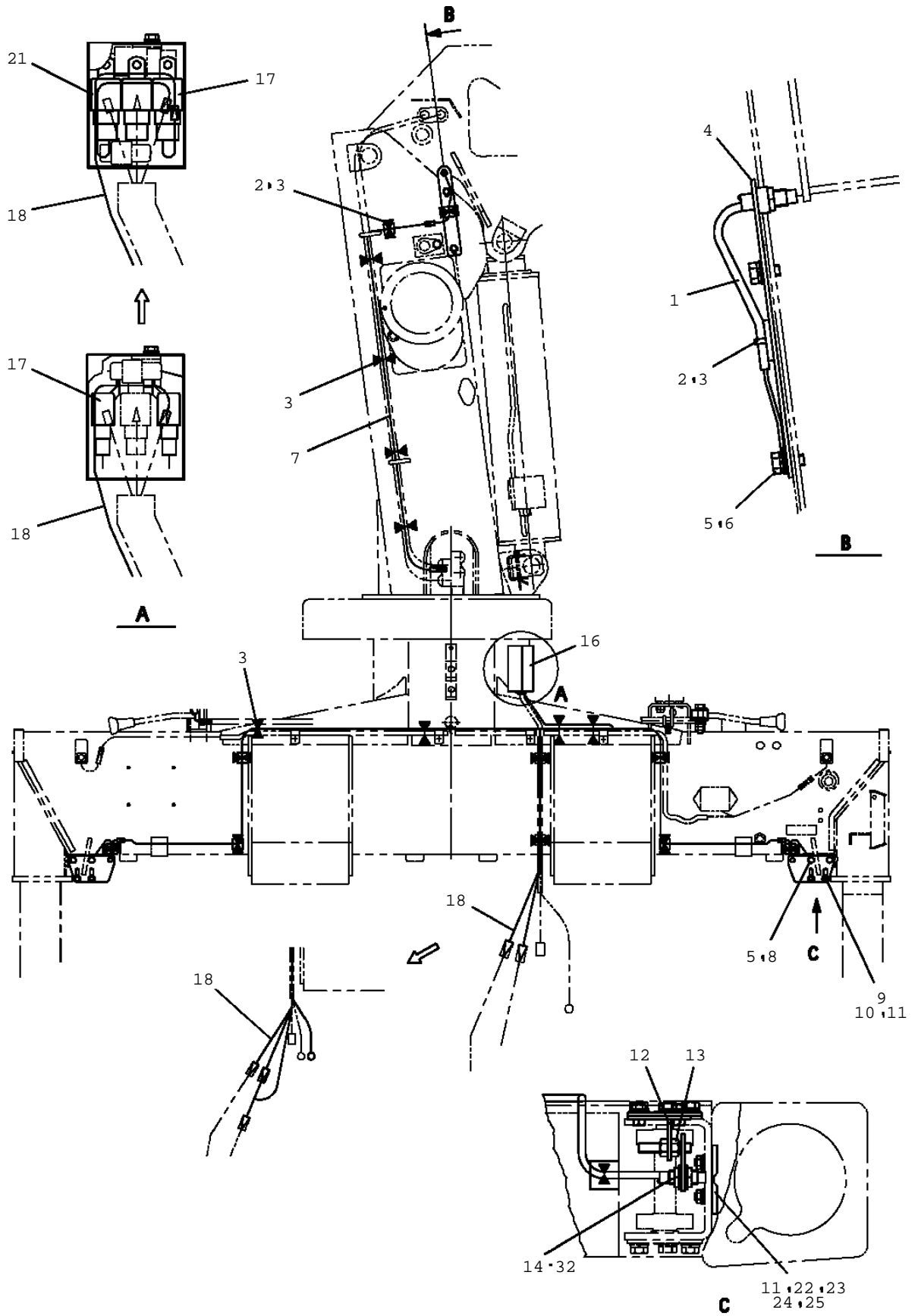
E

D

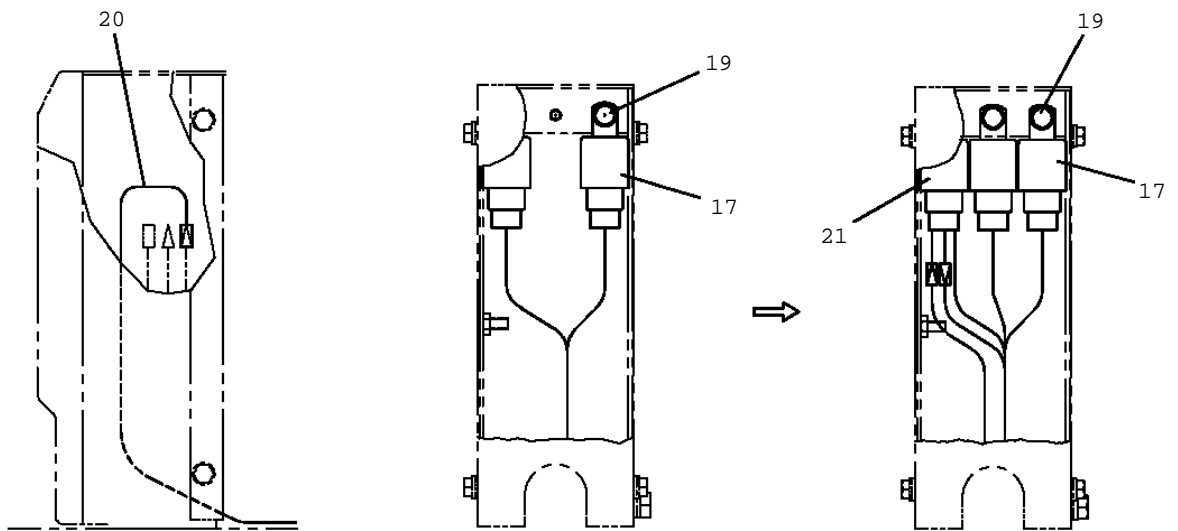
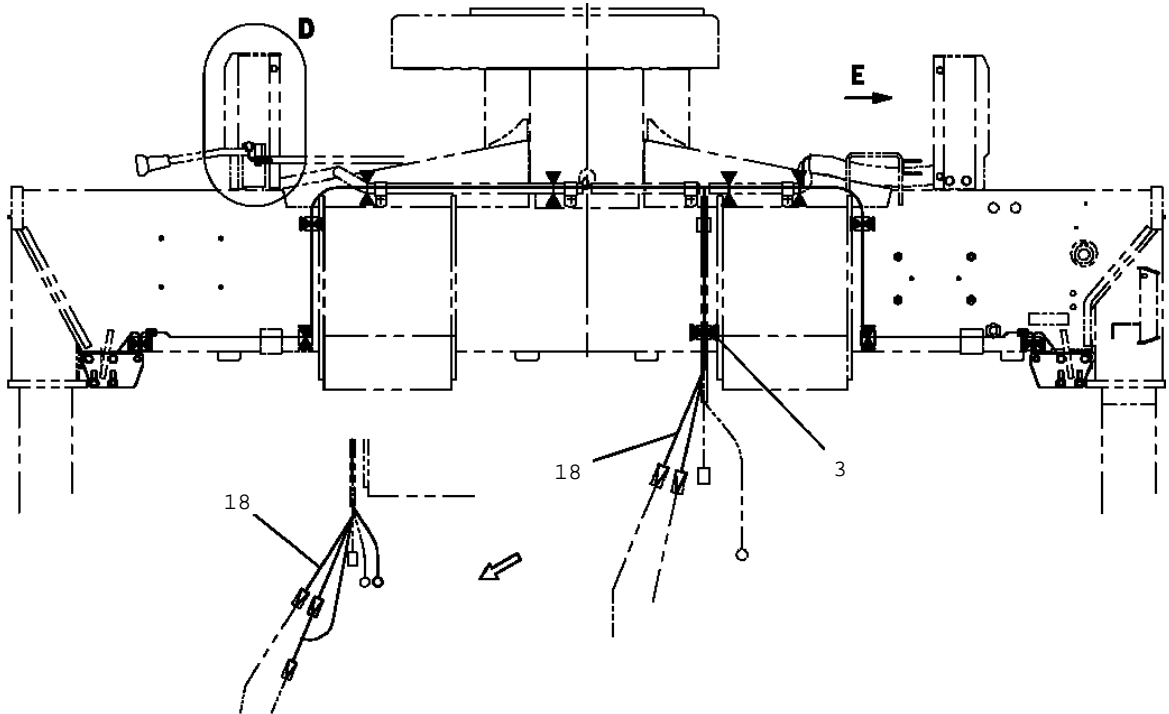
TM-ZF360 41102210360A FRAME/STD,REMOTE-RADIO CONT.,HOOK-IN

Pos No.	Parts No	Parts Name	Qty	Unit	Technical Data	Serial No (Sta
1	31380292101	ALARM ASSY	1			
2	31475352100	PLATE,NAME	1			
3	31380292500	HARNESS	1			
4	31380174000	LAMP ASSY	1			
5	82100000191	TERMINAL	1			
6	82100000183	INSULATOR	1			
7	91810130240	FASTENER	4			
8	82100002673	CONNECTOR (0.5-0.85,RED)	3			
9	82100001400	TERMINAL	2			
10	31475352200	PLATE,CAUTION	1			
11	31380292600	SUPPORT	1			
12	80172305020	SCREW,MACHINE	2		M5X20	
13	90302040501	WASHER,SPRING	2		5	
14	90303070501	WASHER,PLAIN	2		5	
15	31380292800	HARNESS	1			

TM-ZF360 41102210360A FRAME/STD,REMOTE-RADIO CONT.,HOOK-IN
 PN1011983-02 ELEC.ASSY (ALARM,UPPER)



TM-ZF360 41102210360A FRAME/STD,REMOTE-RADIO CONT.,HOOK-IN
PN1011983-02 ELEC.ASSY (ALARM,UPPER)



D

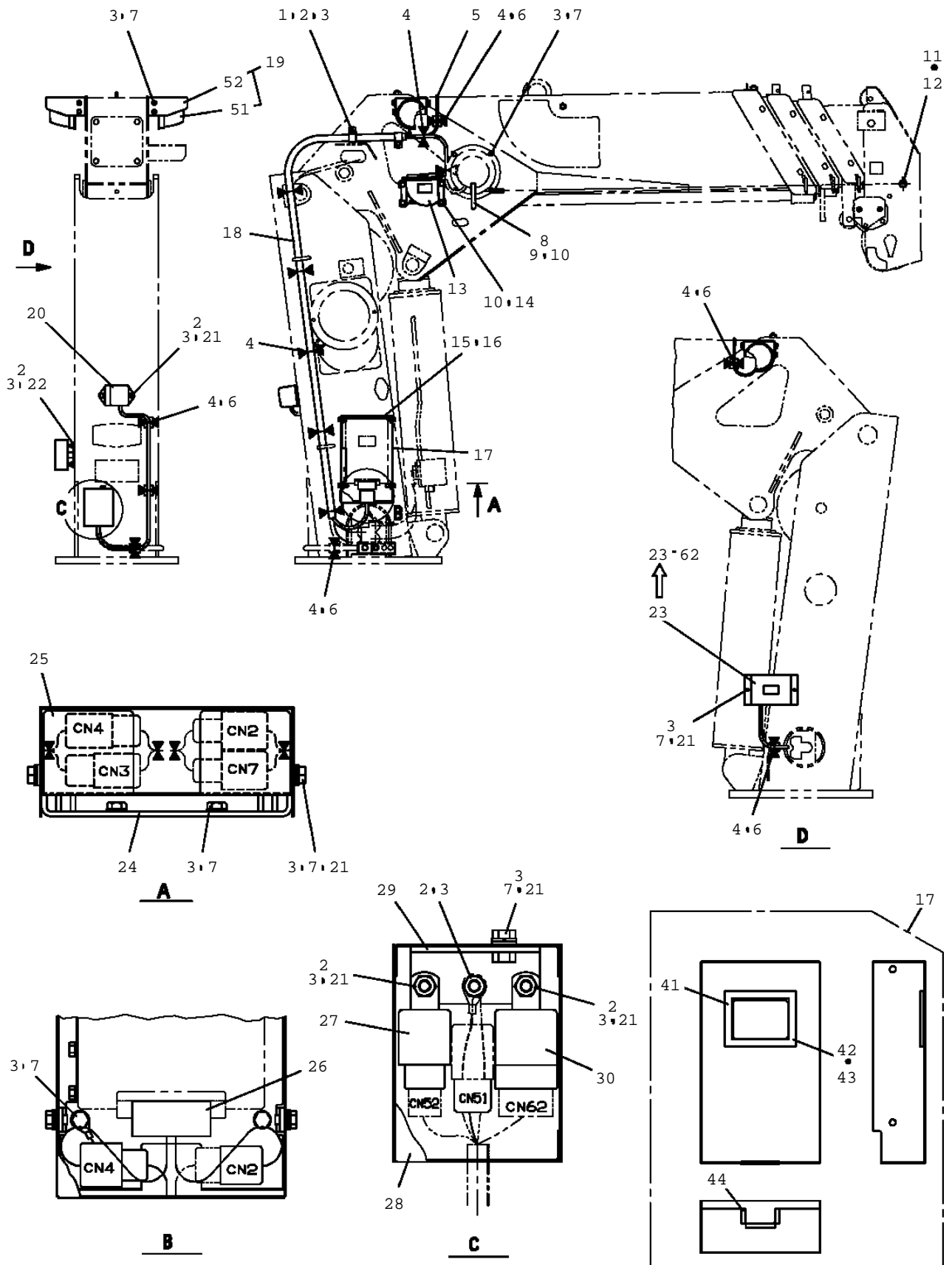
E

SEE THESE FIGURES IF THERE IS A CONTROL PANEL ON

TM-ZF360 41102210360A FRAME/STD,REMOTE-RADIO CONT.,HOOK-IN

Pos No.	Parts No	Parts Name	Qty	Unit	Technical Data	Serial No (Start)	Serial
1	82108901180	SWITCH	1		APS8-12GM-Z		
2	82401601002	CLAMP	10				
3	91810130240	FASTENER	20				
4	31380291100	SUPPORT	1				
5	90101208016	BOLT	6		M8X16		
6	90303070801	WASHER, PLAIN	2		8		
7	31652160100	HARNESS	1		L=1400		
8	31475381200	SUPPORT	2				
9	90101206016	BOLT	4		M6X16		
10	37000526010	PLATE	4				
11	90302040601	WASHER, SPRING	4		6		
12	31475351200	SUPPORT	2				
13	90201200800	NUT	4		M8		
14	31475351300	SWITCH ASSY	2				
16	31360201600	COVER	1				
17	82100002596	RELAY	2				
18	31475371100	HARNESS	1				
19	80192486010	SCREW, MACHINE	2		M6X10		
20	31473460300	HARNESS (RED)	1		L=1600		
32	82108901180	SWITCH	2		APS8-12GM-Z		

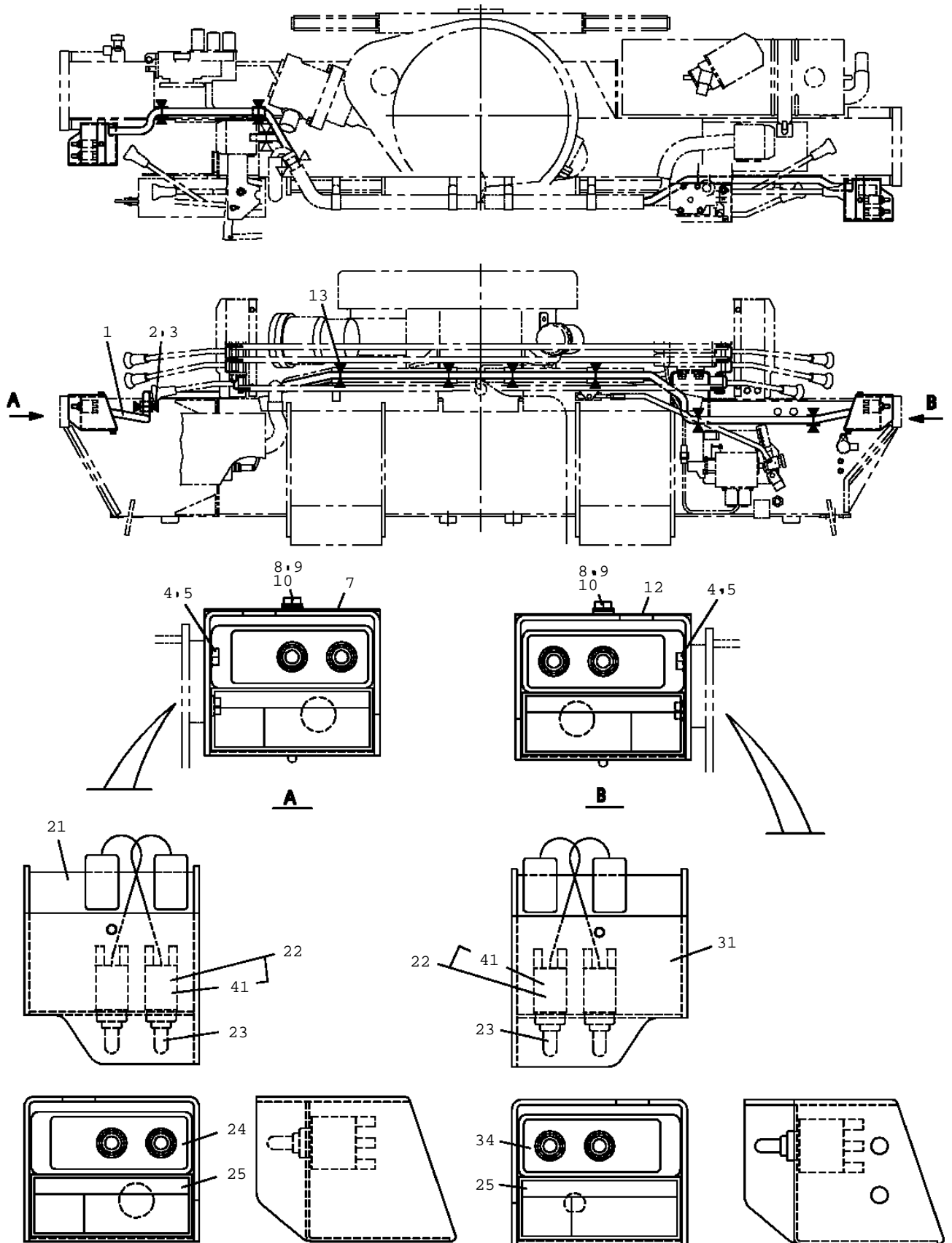
TM-ZF360 41102210360A FRAME/STD,REMOTE-RADIO CONT.,HOOK-IN
 PN1011985-02 ELEC.ASSY (BML,OPTION)



TM-ZF360 41102210360A FRAME/STD,REMOTE-RADIO CONT.,HOOK-IN

Pos No.	Parts No	Parts Name	Qty	Unit	Technical Data	Serial No (Start)
1	82100002014	CLAMP	2		WR20	
2	90201200600	NUT	10		M6	
3	90302040601	WASHER, SPRING	37		6	
4	91810130240	FASTENER	20			
5	31360201101	HARNESS	1			
6	82401601002	CLAMP	7			
7	90101206012	BOLT	27		M6X12	
8	31360201200	SUPPORT	1			
9	90201200800	NUT	4		M8	
10	90302040801	WASHER, SPRING	8		8	
11	31360201010	SUPPORT	1			
12	90203401200	NUT	2		M16	
13	36140380000	DETECTOR, BOOM ANGLE	1			
14	90101208012	BOLT	4		M8X12	
15	90101205010	BOLT	4		M5X10	
16	90302040501	WASHER, SPRING	4		5	
17	31360191300	COVER ASSY	1			
18	31360191010	COVER	1			
19	31360201300	LAMP ASSY	2			
20	31360191600	BUZZER ASSY	1			
21	90303070601	WASHER, PLAIN	11		6	
22	31360201400	SUPPORT	1			
23	31360243000	INDICATOR ASSY	1			
24	31360191500	SUPPORT	2			
25	31360191030	SUPPORT ASSY	1			
26	31360201500	HARNESS	1			
27	82100002596	RELAY	1			
28	31360201600	COVER	1			
29	31360201700	SUPPORT	1			
30	82161201010	RELAY	1			
41	31360191310	COVER	1			
42	31360191320	PLATE	1			
43	31360191330	SEAL	1			
44	82400000309	GROMMET	1	M	L=1000	
51	82199444321	LAMP	2			
52	31360201310	SUPPORT	2			

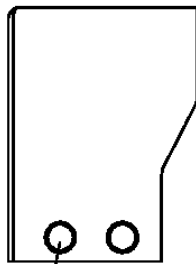
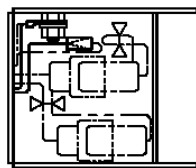
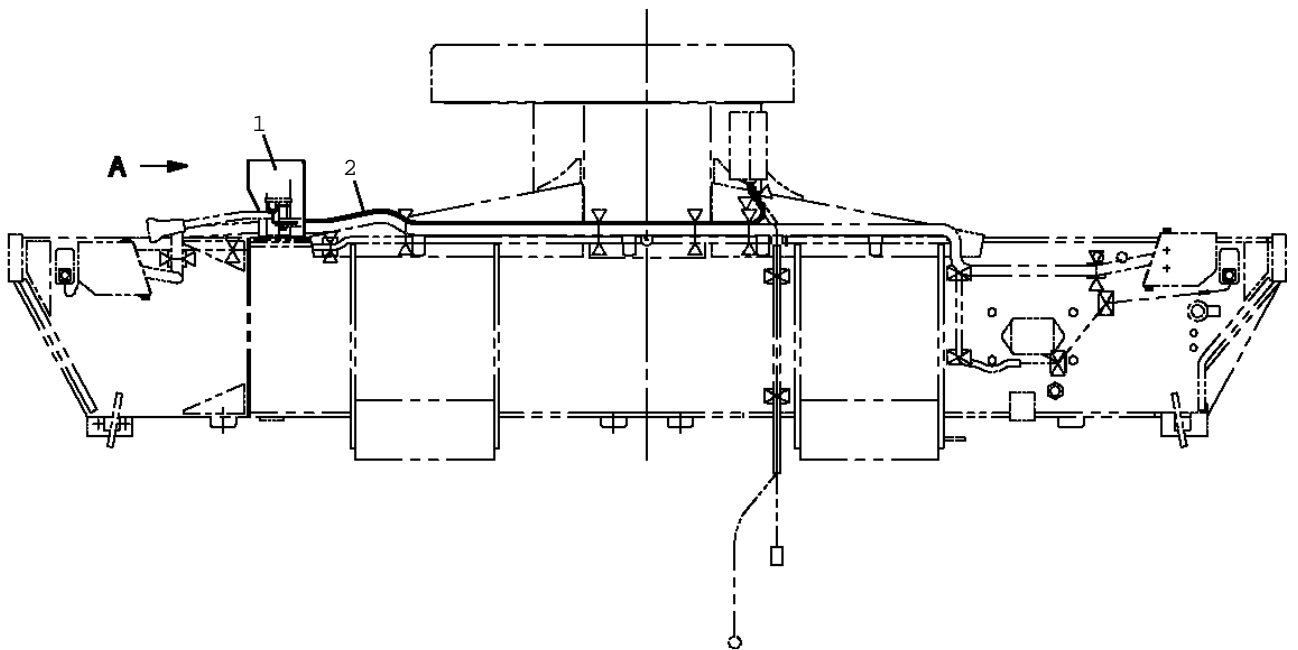
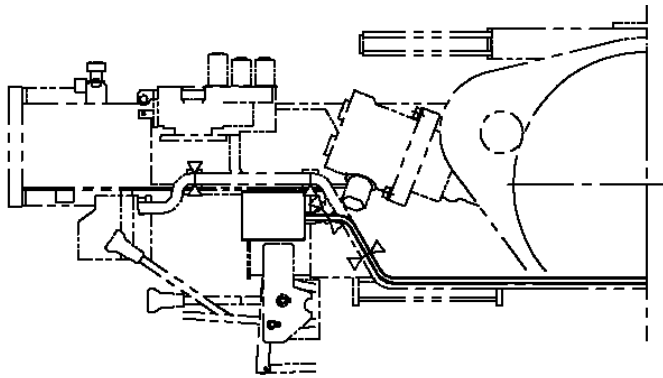
TM-ZF360 41102210360A FRAME/STD,REMOTE-RADIO CONT.,HOOK-IN
 PN1012024-00 ELEC.ASSY (OUTRIGGER,REAR)



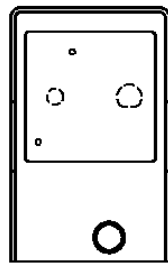
TM-ZF360 41102210360A FRAME/STD,REMOTE-RADIO CONT.,HOOK-IN

Pos No.	Parts No	Parts Name	Qty	Unit	Technical Data	Serial No (St
1	31611494100	HARNES	1			
2	82401601002	CLAMP	5			
3	91810130240	FASTENER	13			
4	90101208012	BOLT	4		M8X12	
5	90302040801	WASHER,SPRING	4		8	
7	31651771500	COVER (RIGHT)	1			
8	90101206010	BOLT	2		M6X1.0	
9	90302040601	WASHER,SPRING	2		6	
10	90303070601	WASHER,PLAIN	2		6	
12	31651772500	COVER (LEFT)	1			
13	91810130250	FASTENER	4			
21	31651771100	PANEL	1			
22	31651771200	SWITCH ASSY	4			
23	82197518119	CAP (PLUS ONE MFG./BLACK)	4			
	82197518114	CAP (MATSUSHITA/BLACK)	4			
24	31611494210	PLATE,NAME	1			
25	31394490500	PLATE,CAUTION	2			
31	31651772100	PANEL	1			
34	31611494410	PLATE,NAME	1			
41	82105413140	SWITCH,TOGGLE	4			

TM-ZF360 41102210360A FRAME/STD,REMOTE-RADIO CONT.,HOOK-IN
PN1012032-00 ELEC.ASSY (OUTRIGGER,REAR)



3
4,5

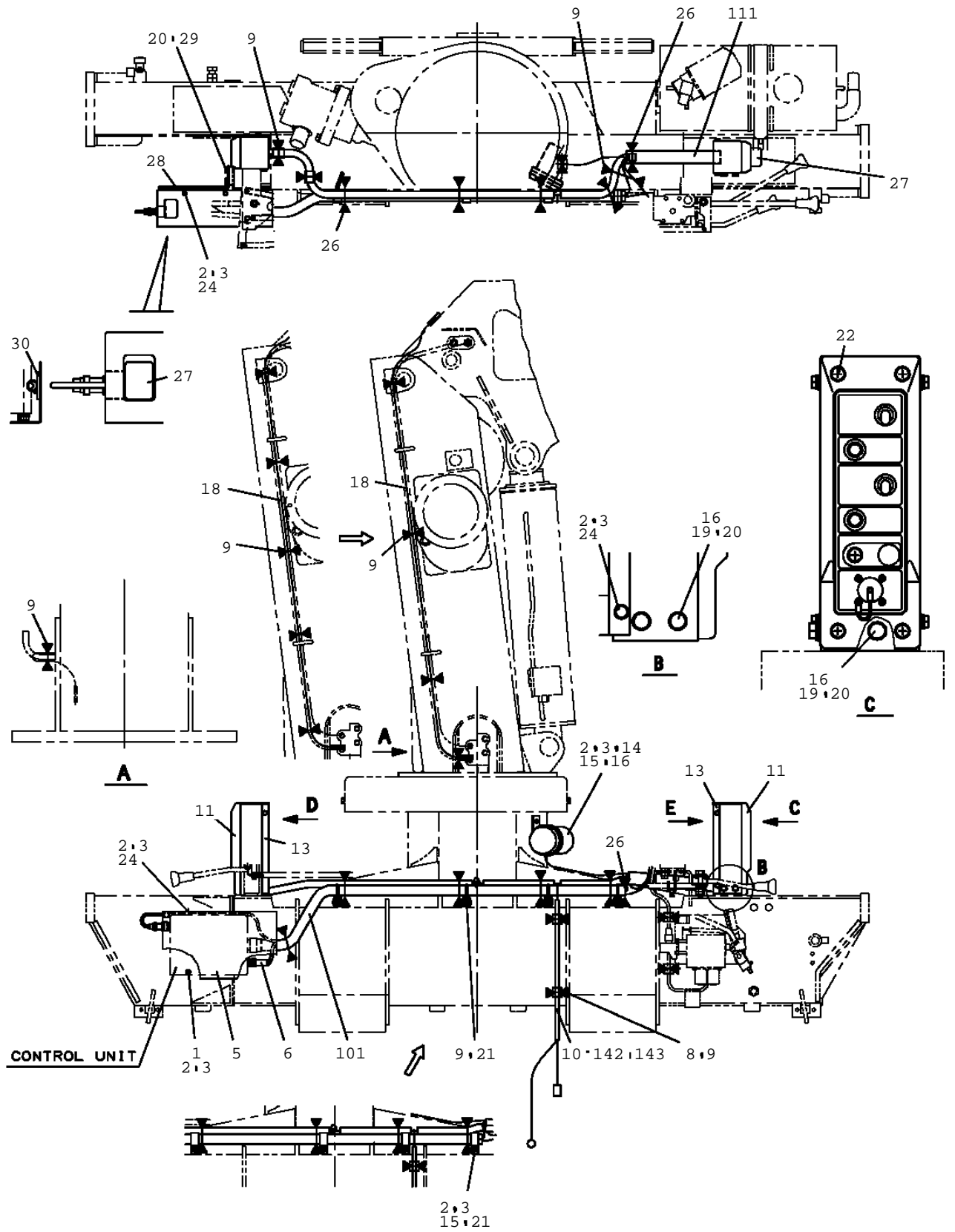


A

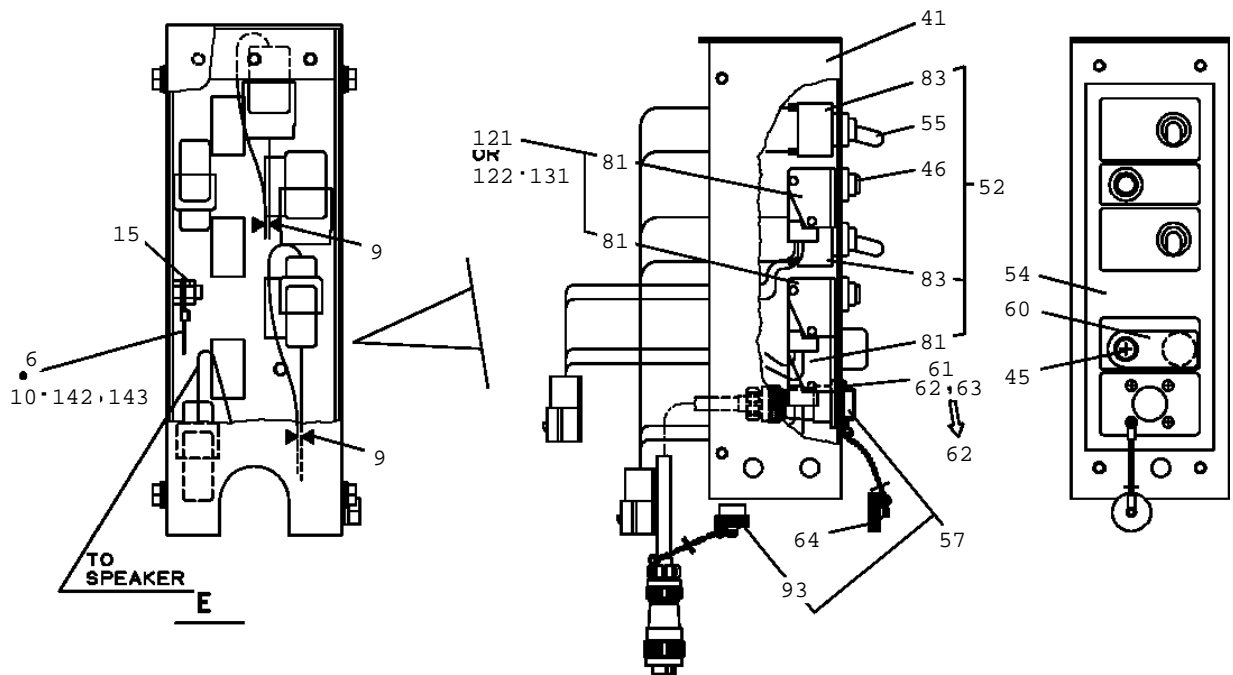
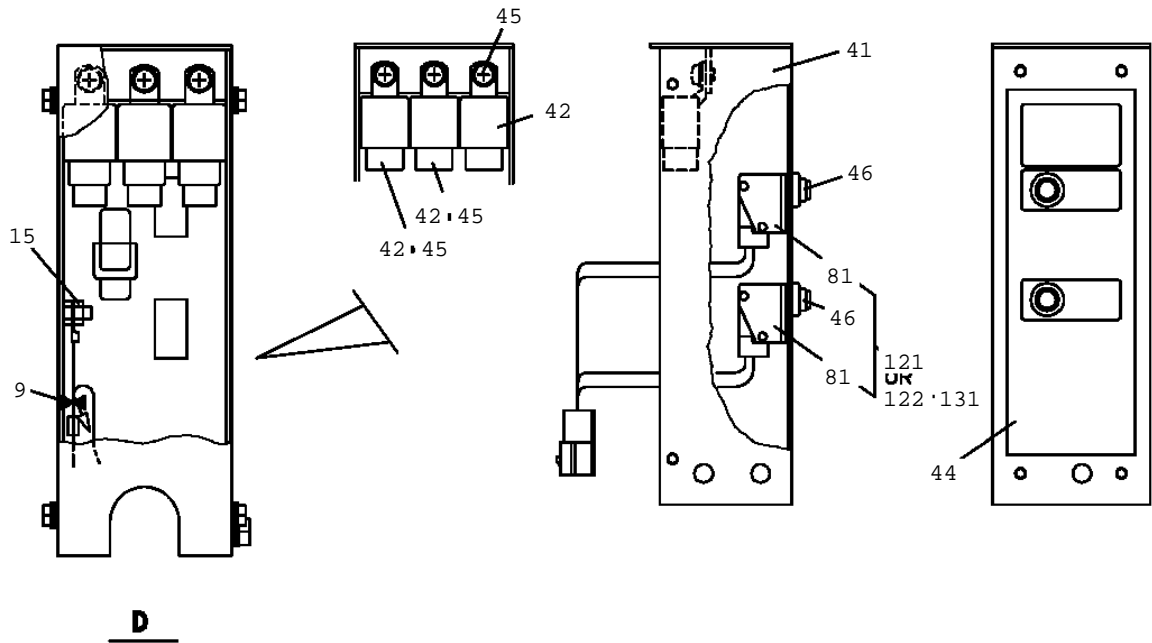
TM-ZF360 41102210360A FRAME/STD,REMOTE-RADIO CONT.,HOOK-IN

Pos No.	Parts No	Parts Name	Qty	Unit	Technical Data	Serial No (Start)	Serial
1	31652300100	COVER	1				
2	31652300200	HARNESS	1				
3	90101208014	BOLT	3		M8X14		
4	90302040801	WASHER,SPRING	3		8		
5	90303070801	WASHER,PLAIN	3		8		

TM-ZF360 41102210360A FRAME/STD,REMOTE-RADIO CONT.,HOOK-IN
 PN1012034-02 ELEC.ASSY (REMOTE CONTROL)



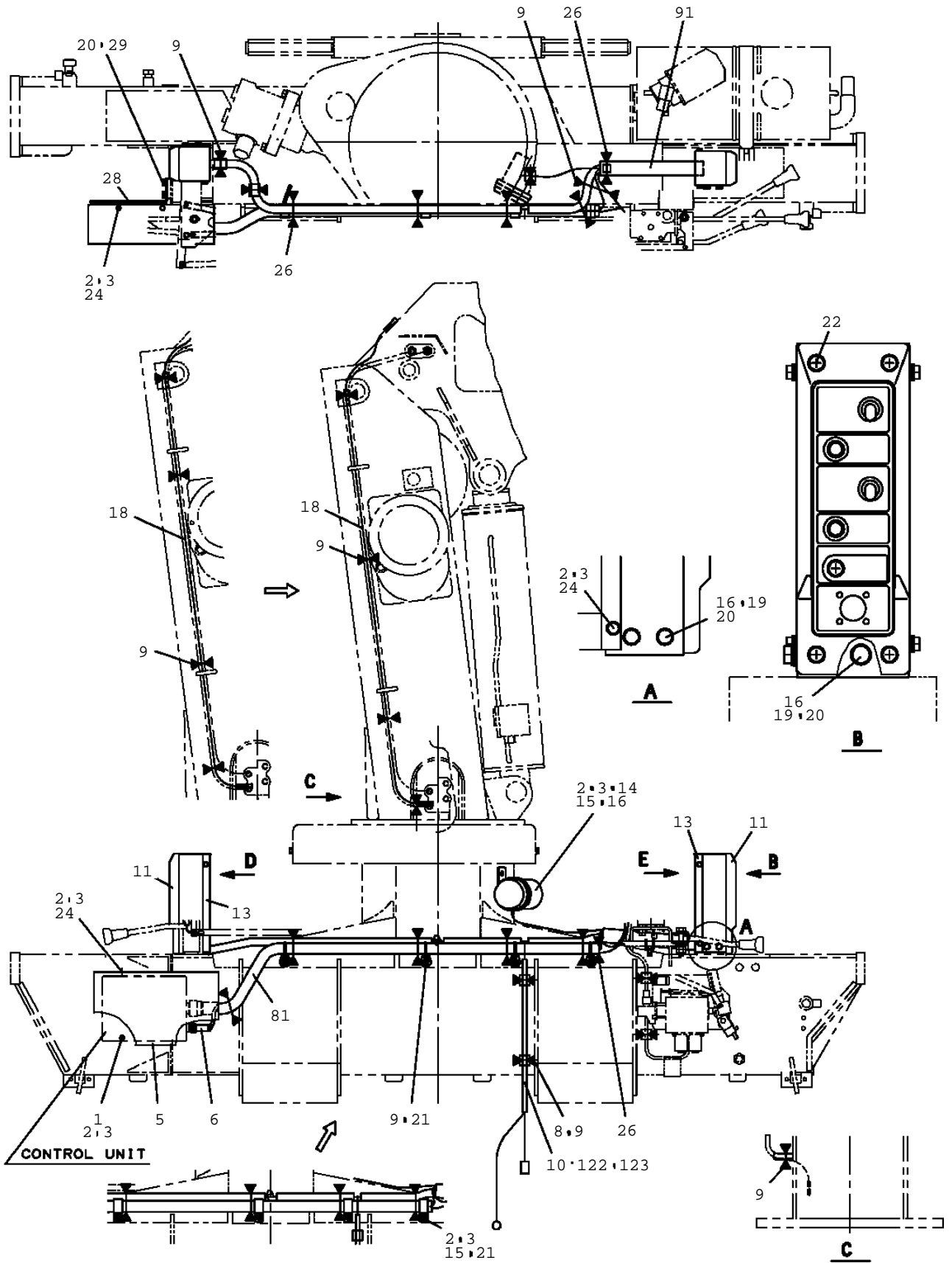
TM-ZF360 41102210360A FRAME/STD,REMOTE-RADIO CONT.,HOOK-IN
 PN1012034-02 ELEC.ASSY (REMOTE CONTROL)



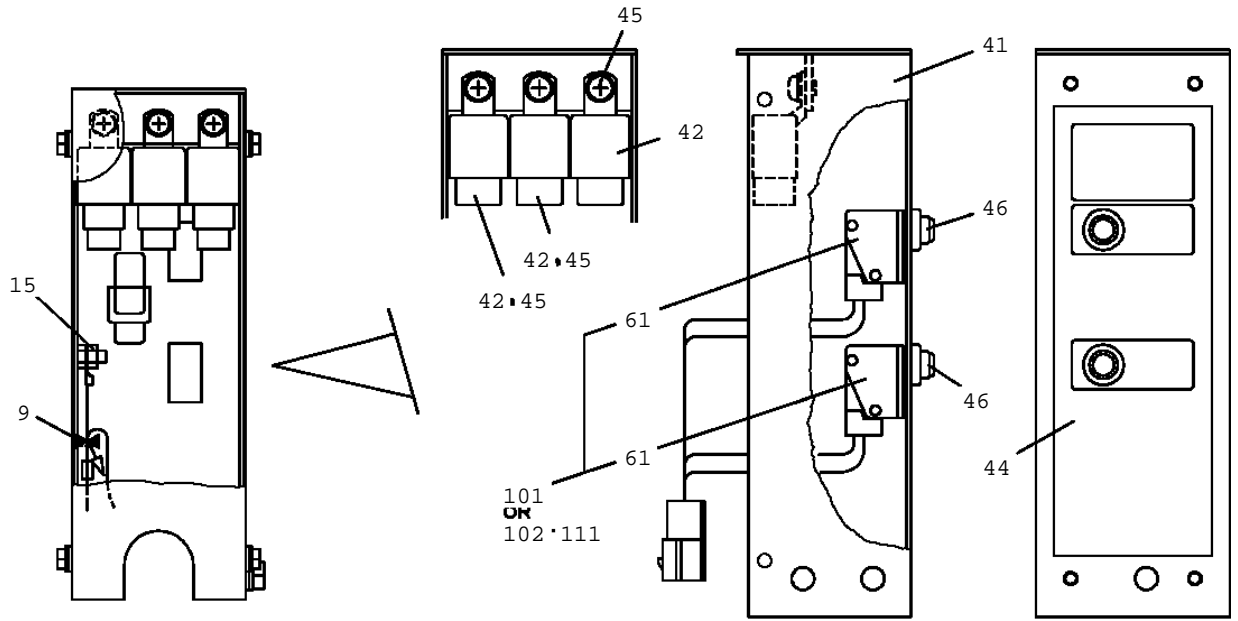
TM-ZF360 41102210360A FRAME/STD,REMOTE-RADIO CONT.,HOOK-IN

Pos No.	Parts No	Parts Name	Qty	Unit	Technical Data	Serial No
1	90101206075	BOLT	4		M6X75	
2	90302040601	WASHER,SPRING	21		6	
	90302040601	WASHER,SPRING	17		6	EE6608
3	90303070601	WASHER,PLAIN	21		6	
	90303070601	WASHER,PLAIN	17		6	EE6608
5	31651760300	COVER	1			
6	31651760100	HARNESS	1			
8	82401601002	CLAMP	8			
9	91810130240	FASTENER	17			
	91810130240	FASTENER	21			EE6608
	91810130240	FASTENER	20			EE8253
10	31652480100	HARNESS	1			
11	31651760500	COVER	2			
13	31651760400	COVER	2			
14	31651760700	ALARM ASSY	1			
15	90201200600	NUT	7		M6	
	90201200600	NUT	3		M6	EE6608
16	90303070801	WASHER,PLAIN	7		8	
18	31651760600	HARNESS	1		L=1300	
19	90101208014	BOLT	6		M8X14	
20	90302040801	WASHER,SPRING	10		8	
21	82100002017	CLAMP	4		WR30	
	91850100802	CLAMP (STUD BOLT MOUNT)	4			EE6608
22	80192486014	SCREW,MACHINE (WITH WASHER)	8		M6X14	
24	90101206010	BOLT	12		M6X1.0	
26	91810130250	FASTENER	7			
27	31651760800	PLATE,CAUTION	2			
28	31651930100	SUPPORT	1			
29	90101208012	BOLT	4		M8X12	
30	82401600510	CLAMP	1		10	
41	31651761100	PANEL	2			
42	82100002596	RELAY	3			
44	31651761300	PLATE,NAME	1			
45	80192486010	SCREW,MACHINE	4		M6X10	
46	82197600101	CAP (BLACK)	5			
52	31651762500	SWITCH ASSY (GREEN:PANASONIC)	1			
54	31651762200	PLATE,NAME	1			
55	82197518114	CAP (MATSUSHITA/BLACK)	2			
	82197518119	CAP (PLUS ONE MFG./BLACK)	2			
57	31651762300	HARNESS	1			
60	31651762400	COVER	1			
62	80192483010	SCREW,MACHINE	4		M3X10	
64	82100002490	CAP	1			
93	82100002478	CAP	1			
101	82100001806	TUBE,CORRUGATE	2	M	22	
111	82100001807	TUBE,CORRUGATE	1	M	28	
121	31651761400	SWITCH ASSY (GREEN:PANASONIC)	2			
122	31651761600	SWITCH ASSY (PLANTING:NACC)	2			
142	82100001348	FUSE	1		15A,6.5X30	
143	82100002832	HOLDER,FUSE	1			

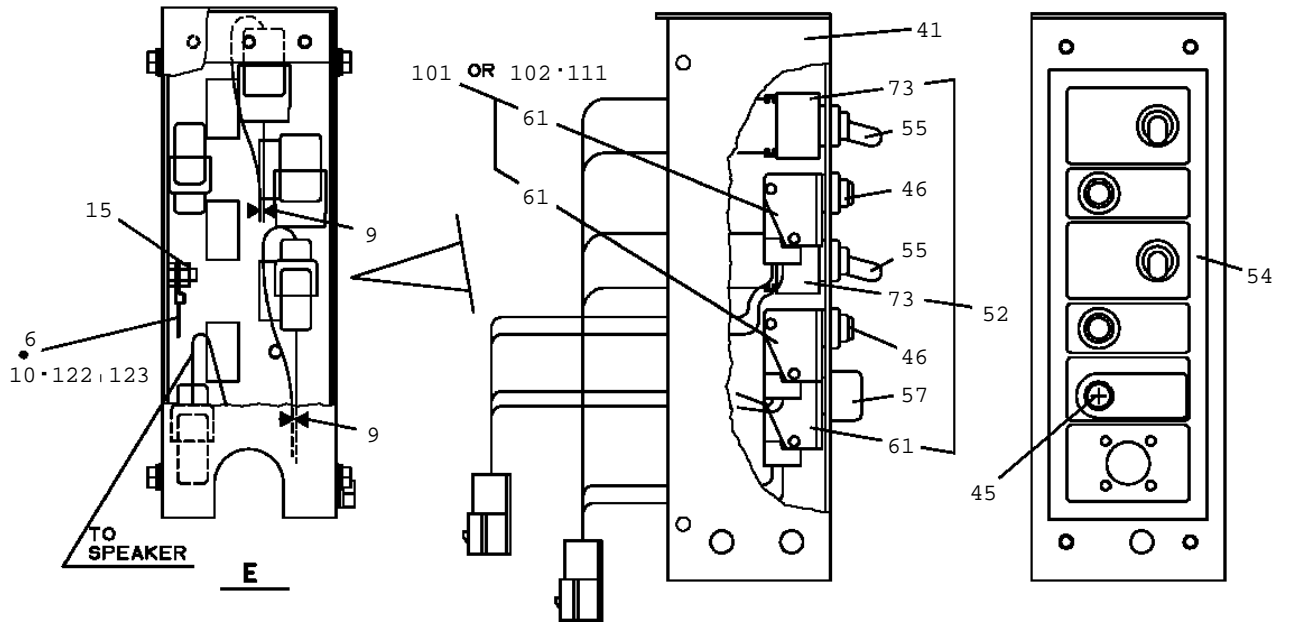
TM-ZF360 41102210360A FRAME/STD,REMOTE-RADIO CONT.,HOOK-IN
 PN1012035-02 ELEC.ASSY (RADIO CONTROL)



TM-ZF360 41102210360A FRAME/STD,REMOTE-RADIO CONT.,HOOK-IN
 PN1012035-02 ELEC.ASSY (RADIO CONTROL)



D

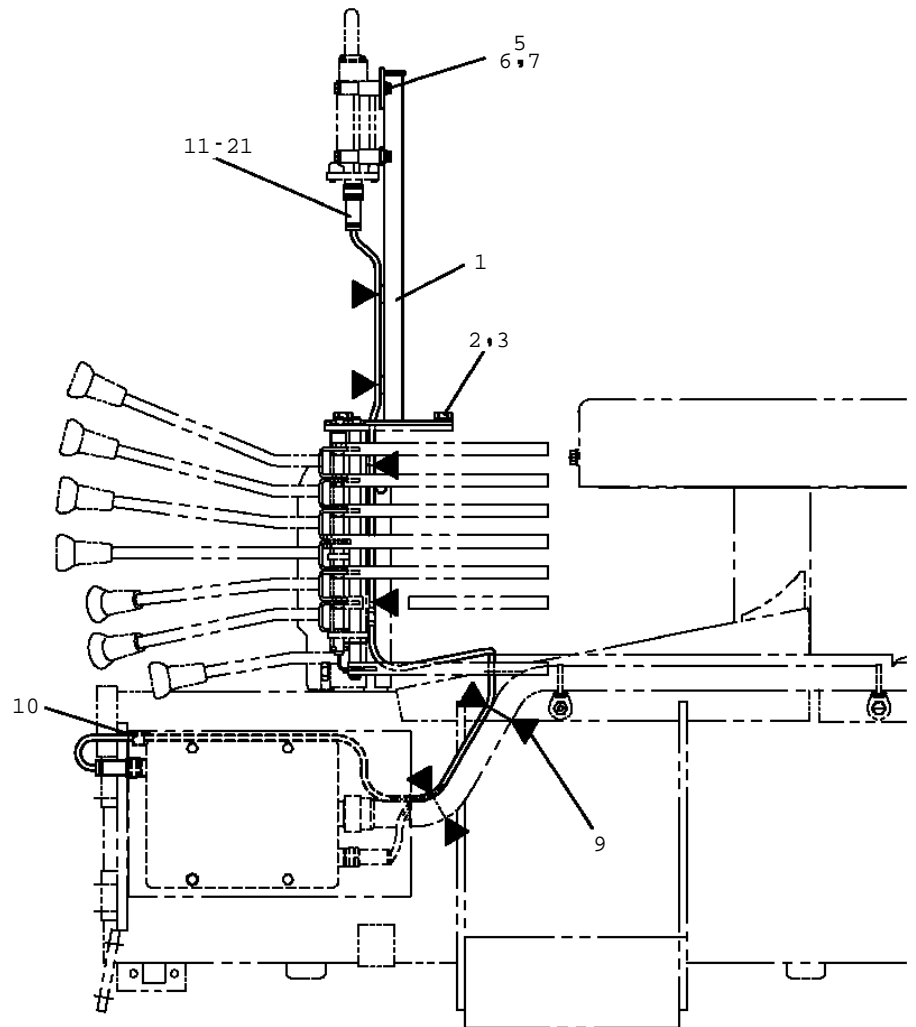
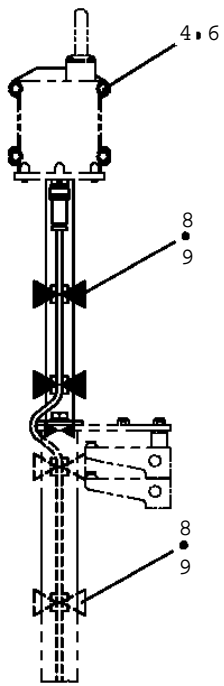
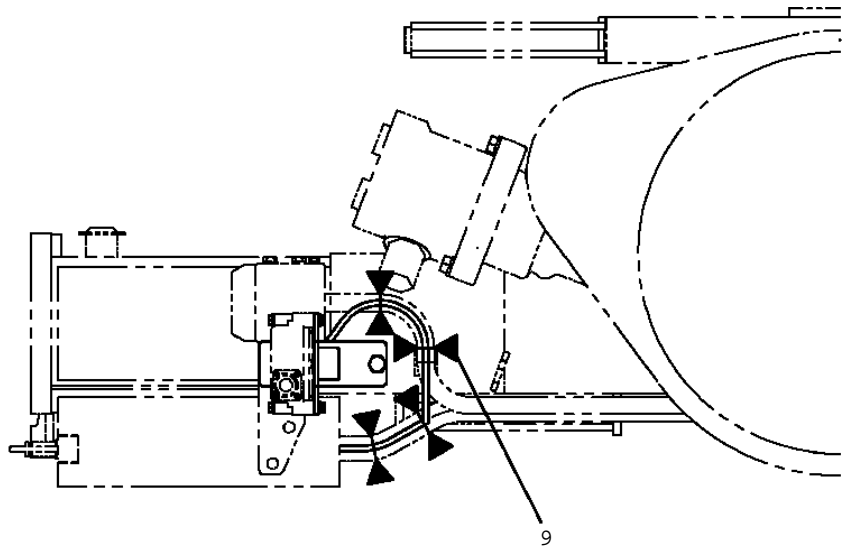


E

TM-ZF360 41102210360A FRAME/STD,REMOTE-RADIO CONT.,HOOK-IN

Pos No.	Parts No	Parts Name	Qty	Unit	Technical Data	Serial No
1	90101206075	BOLT	4		M6X75	
2	90302040601	WASHER,SPRING	21		6	
	90302040601	WASHER,SPRING	17		6	EE6608
3	90303070601	WASHER,PLAIN	21		6	
	90303070601	WASHER,PLAIN	17		6	EE6608
5	31651760300	COVER	1			
6	31651760100	HARNESS	1			
8	82401601002	CLAMP	8			
9	91810130240	FASTENER	17			
	91810130240	FASTENER	21			EE6608
	91810130240	FASTENER	20			EE8253
10	31652480100	HARNESS	1			
11	31651760500	COVER	2			
13	31651760400	COVER	2			
14	31651760700	ALARM ASSY	1			
15	90201200600	NUT	7		M6	
	90201200600	NUT	3		M6	EE6608
16	90303070801	WASHER,PLAIN	7		8	
18	31651760600	HARNESS	1		L=1300	
19	90101208014	BOLT	6		M8X14	
20	90302040801	WASHER,SPRING	10		8	
21	82100002017	CLAMP	4		WR30	
	91850100802	CLAMP (STUD BOLT MOUNT)	4			EE6608
22	80192486014	SCREW,MACHINE (WITH WASHER)	8		M6X14	
24	90101206010	BOLT	12		M6X1.0	
26	91810130250	FASTENER	7			
28	31651930100	SUPPORT	1			
29	90101208012	BOLT	4		M8X12	
41	31651761100	PANEL	2			
42	82100002596	RELAY	3			
44	31651761300	PLATE,NAME	1			
45	80192486010	SCREW,MACHINE	4		M6X10	
46	82197600101	CAP (BLACK)	5			
52	31651762500	SWITCH ASSY (GREEN:PANASONIC)	1			
54	31651861100	PLATE,NAME	1			
55	82197518119	CAP (PLUS ONE MFG./BLACK)	2			
	82197518114	CAP (MATSUSHITA/BLACK)	2			
57	31651762400	COVER	1			
81	82100001806	TUBE,CORRUGATE	2	M	22	
91	82100001807	TUBE,CORRUGATE	1	M	28	
101	31651761400	SWITCH ASSY (GREEN:PANASONIC)	2			
102	31651761600	SWITCH ASSY (PLANTING:NACC)	2			
122	82100001348	FUSE	1		15A,6.5X30	
123	82100002832	HOLDER,FUSE	1			

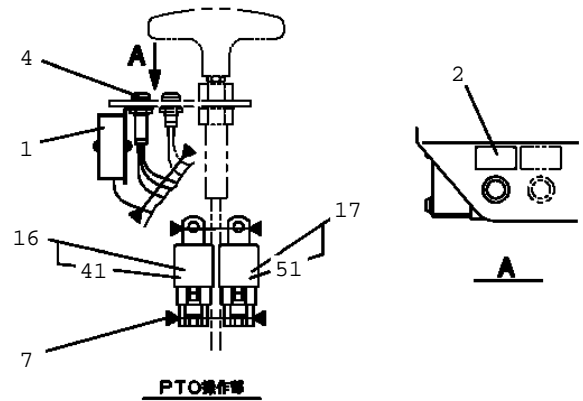
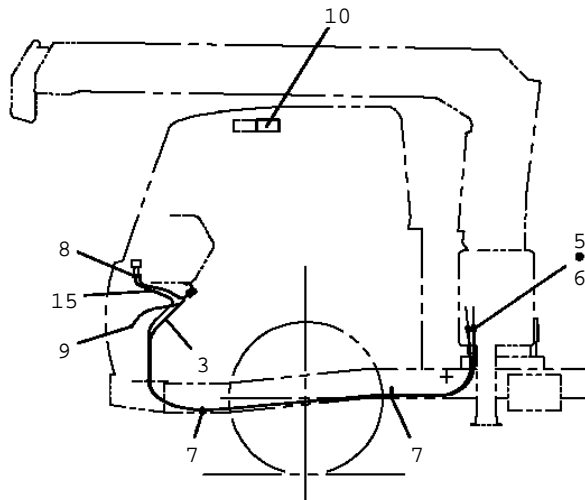
TM-ZF360 41102210360A FRAME/STD,REMOTE-RADIO CONT.,HOOK-IN
PN1012038-02 ELEC.ASSY (RADCON ANTENNA)



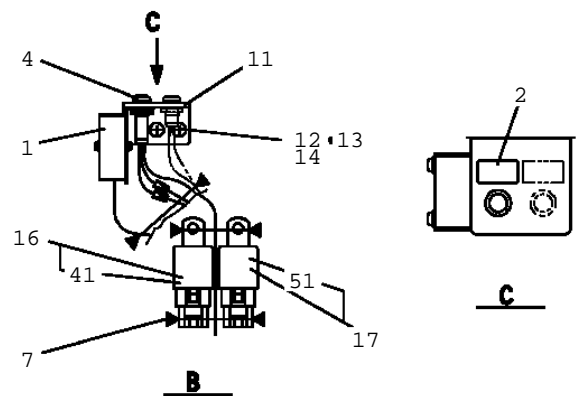
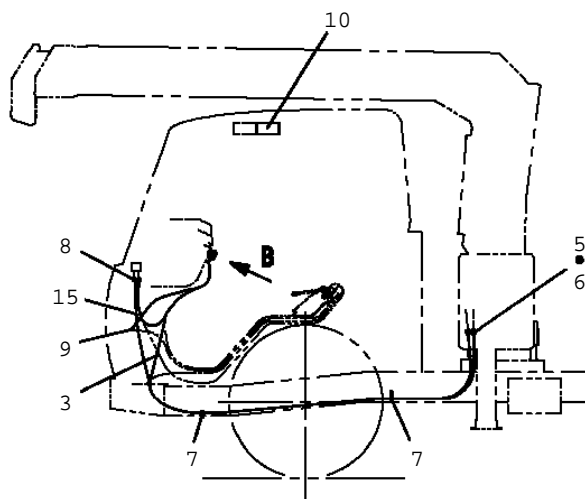
TM-ZF360 41102210360A FRAME/STD,REMOTE-RADIO CONT.,HOOK-IN

Pos No.	Parts No	Parts Name	Qty	Unit	Technical Data	Serial No (Start)	Serial
1	31653110100	SUPPORT	1				
2	90101210014	BOLT	2		M10X14		
3	90302041001	WASHER, SPRING	2		10		
4	90101206060	BOLT	4		M6X60		
5	90302040601	WASHER, SPRING	4		6		
6	90303070601	WASHER, PLAIN	8		6		
7	90201200600	NUT	4		M6		
8	91850310305	CLAMP	4				
9	91810130240	FASTENER	8				
10	82401600510	CLAMP	1		10		

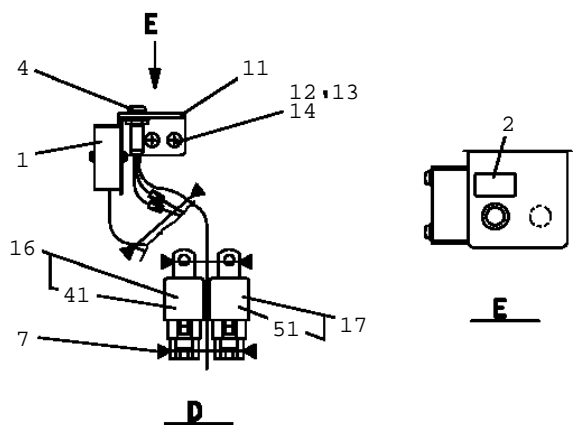
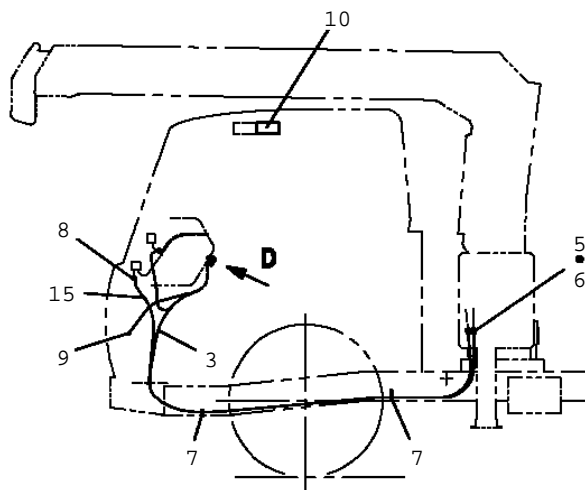
PTOレバーがハンドル横にある場合 (Aタイプ)



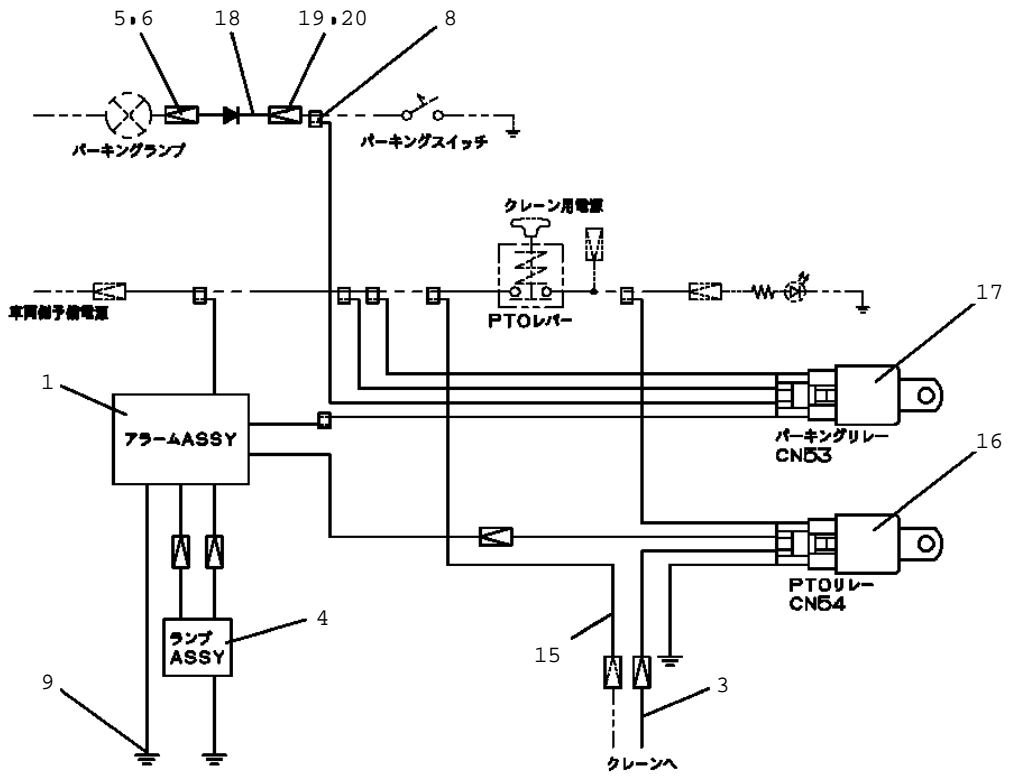
PTOレバーが座席後にある場合 (Bタイプ)



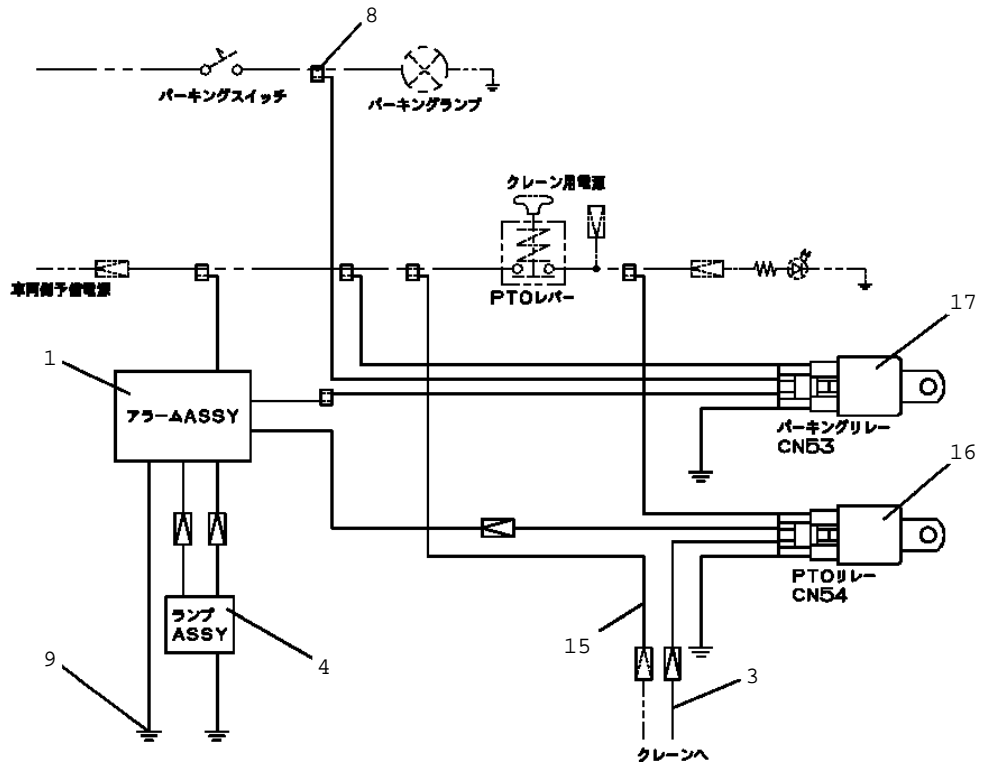
純正PTO付きの場合 (Cタイプ)



パーキングランプの下流にパーキングスイッチがある場合 (Dタイプ)



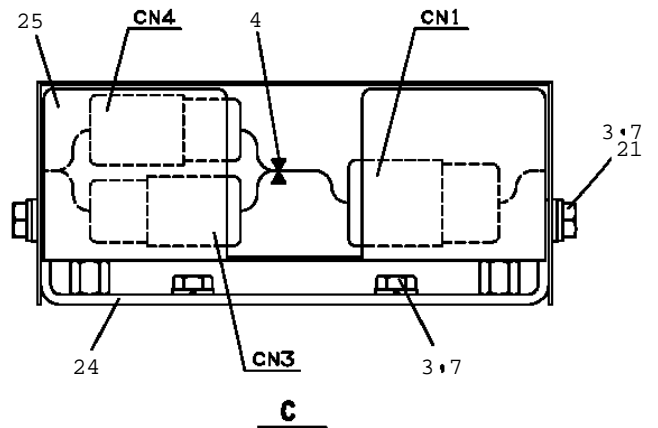
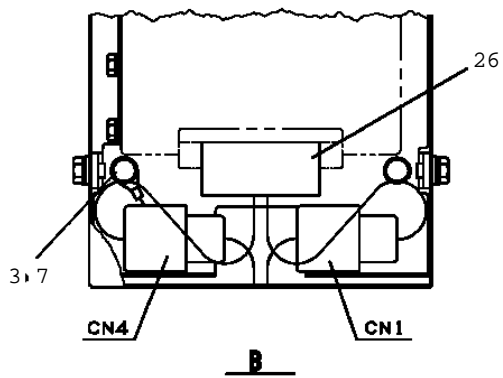
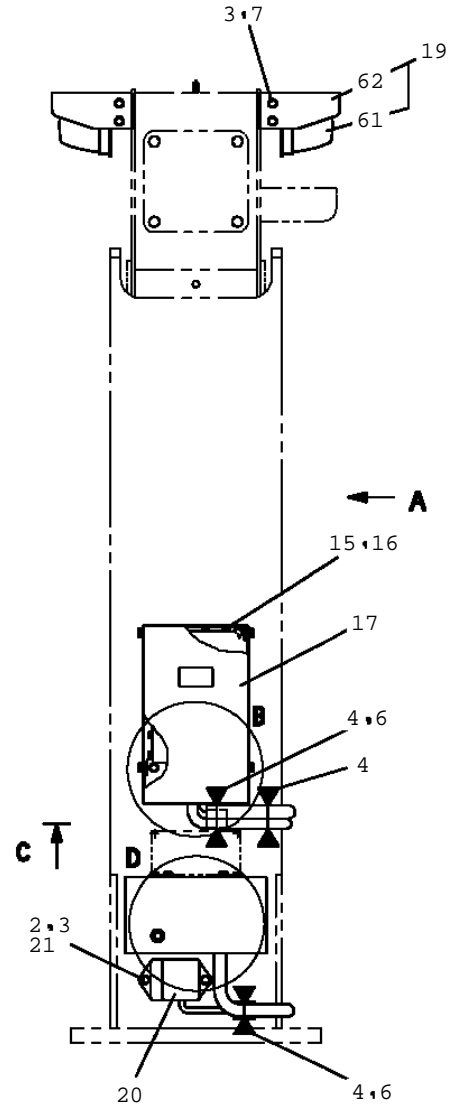
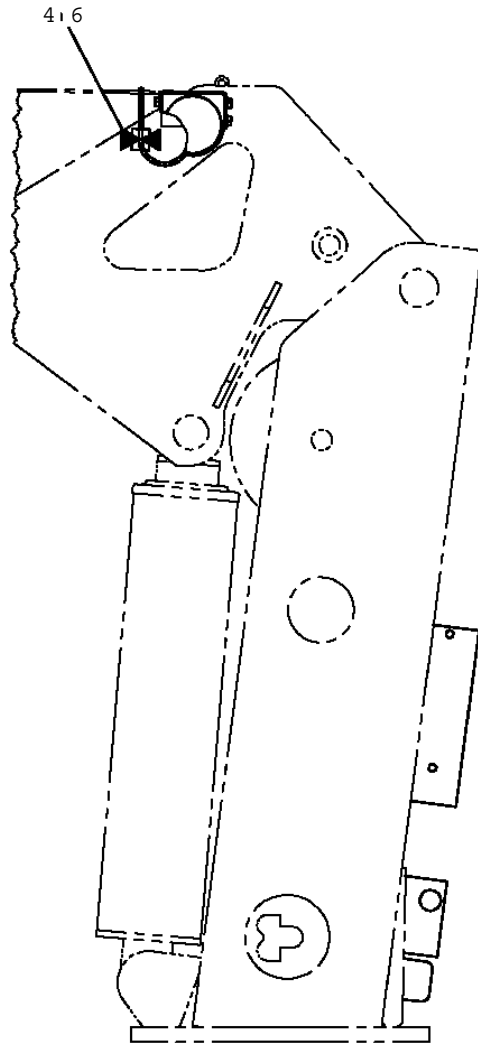
パーキングランプの上流にパーキングスイッチがある場合 (Eタイプ)



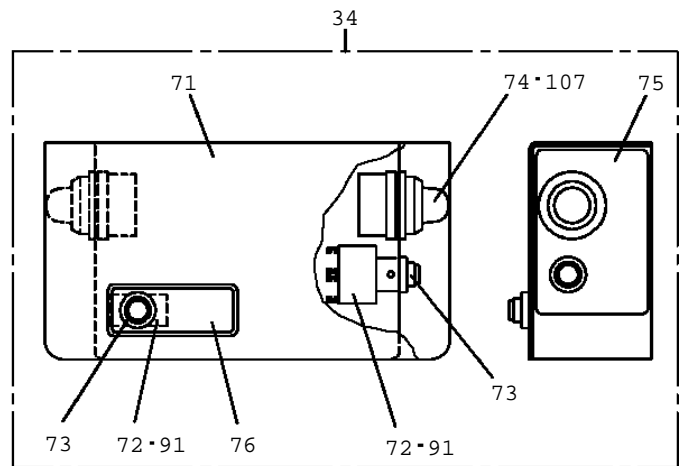
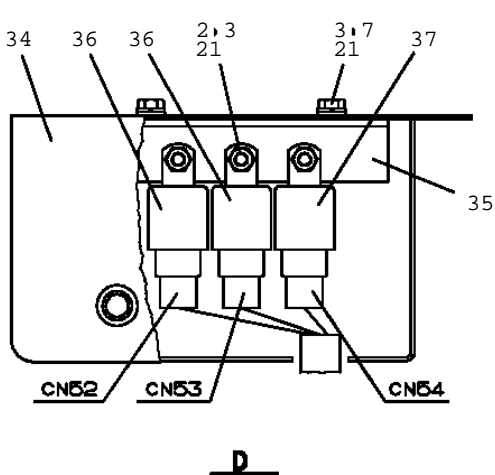
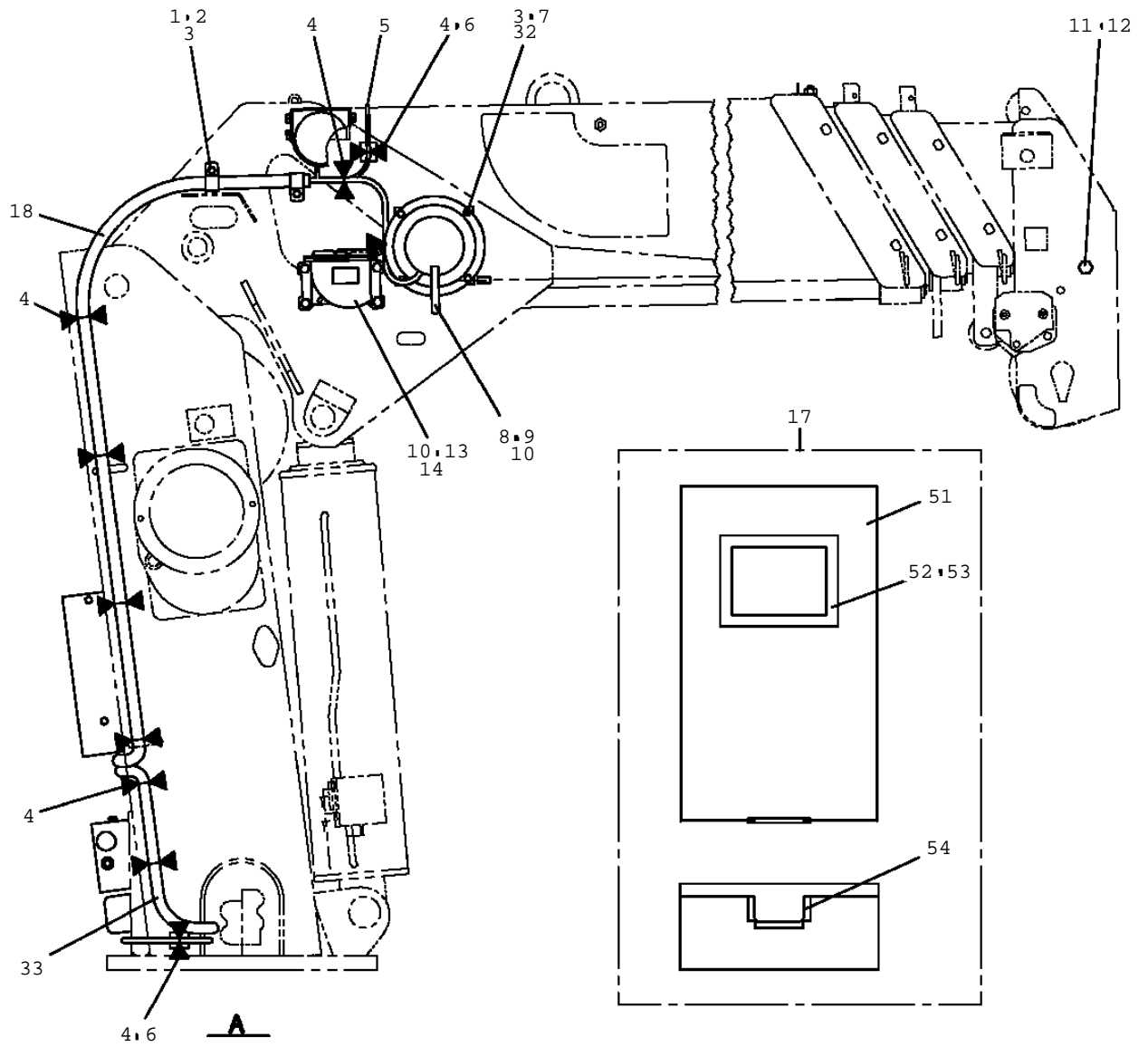
TM-ZF360 41102210360A FRAME/STD,REMOTE-RADIO CONT.,HOOK-IN

Pos No.	Parts No	Parts Name	Qty	Unit	Technical Data	Serial No (Sta
1	31380292101	ALARM ASSY	1			
2	31475352100	PLATE,NAME	1			
3	31380292500	HARNESS	1			
4	31380174000	LAMP ASSY	1			
5	82100000191	TERMINAL	2			
6	82100000183	INSULATOR	2			
7	91810130240	FASTENER	6			
8	82100002673	CONNECTOR (0.5-0.85,RED)	7			
9	82100001400	TERMINAL	4			
10	31475982100	PLATE,CAUTION	1			
11	31380292600	SUPPORT	1			
12	80172305020	SCREW,MACHINE	2		M5X20	
13	90302040501	WASHER,SPRING	2		5	
14	90303070501	WASHER,PLAIN	2		5	
15	31380292800	HARNESS	1			
16	31475982200	RELAY ASSY	1			
17	31475982300	RELAY ASSY	1			
18	31475982400	DIODE ASSY	1			
19	82100000192	TERMINAL	1			
20	82100000182	INSULATOR	1			
41	82100002597	RELAY	1			
51	82100002596	RELAY	1			

TM-ZF360 41102210360A FRAME/STD,REMOTE-RADIO CONT.,HOOK-IN
 PN1012229-01 ELEC.ASSY



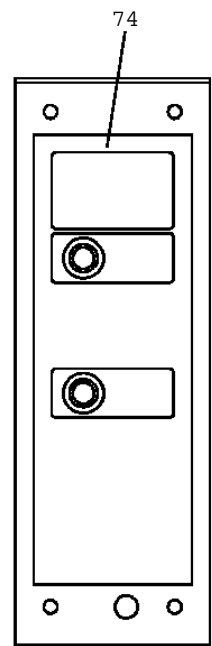
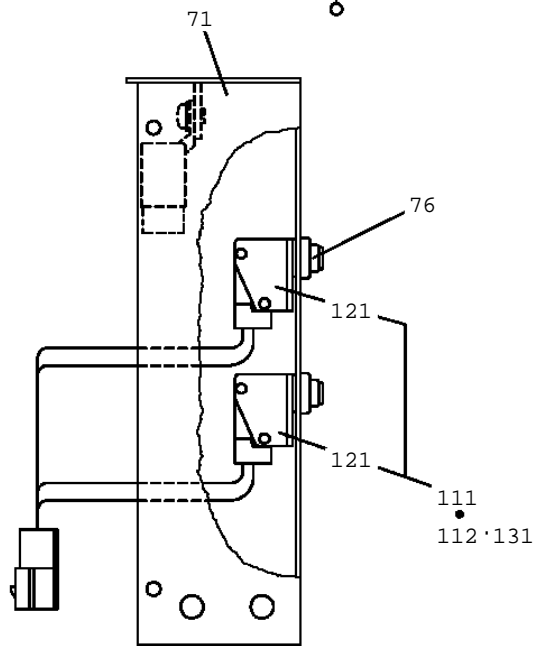
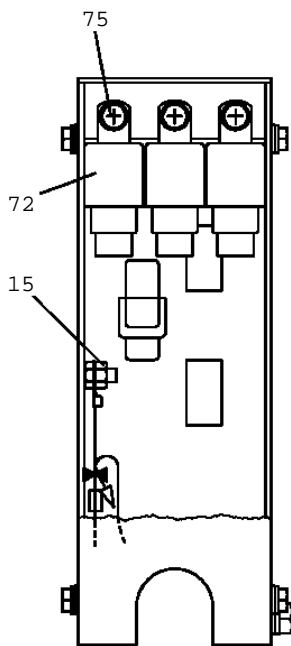
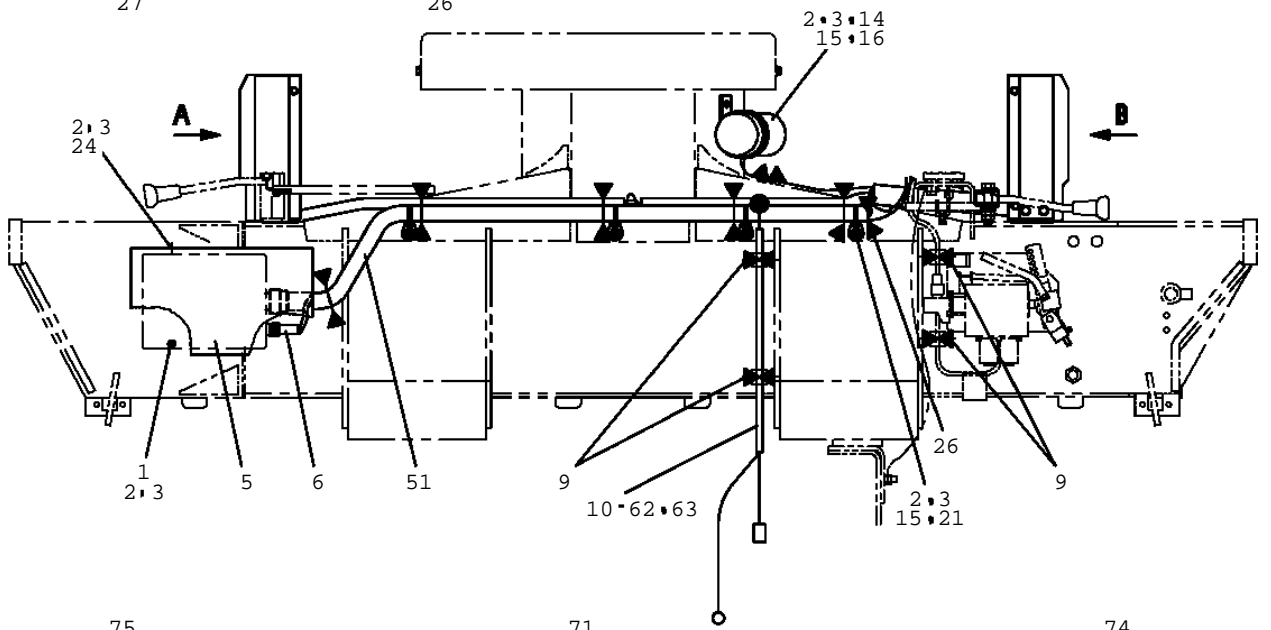
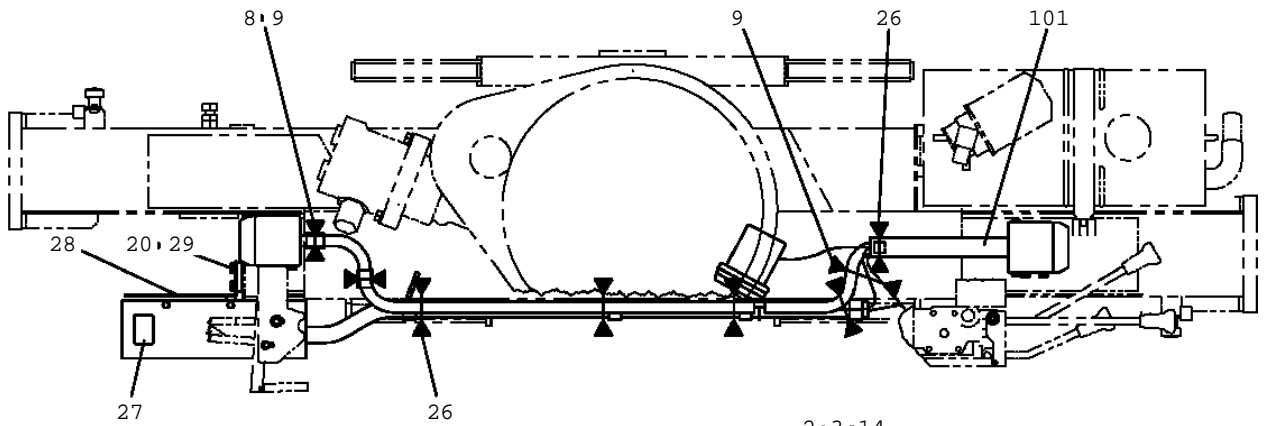
TM-ZF360 41102210360A FRAME/STD,REMOTE-RADIO CONT.,HOOK-IN
 PN1012229-01 ELEC.ASSY



TM-ZF360 41102210360A FRAME/STD,REMOTE-RADIO CONT.,HOOK-IN

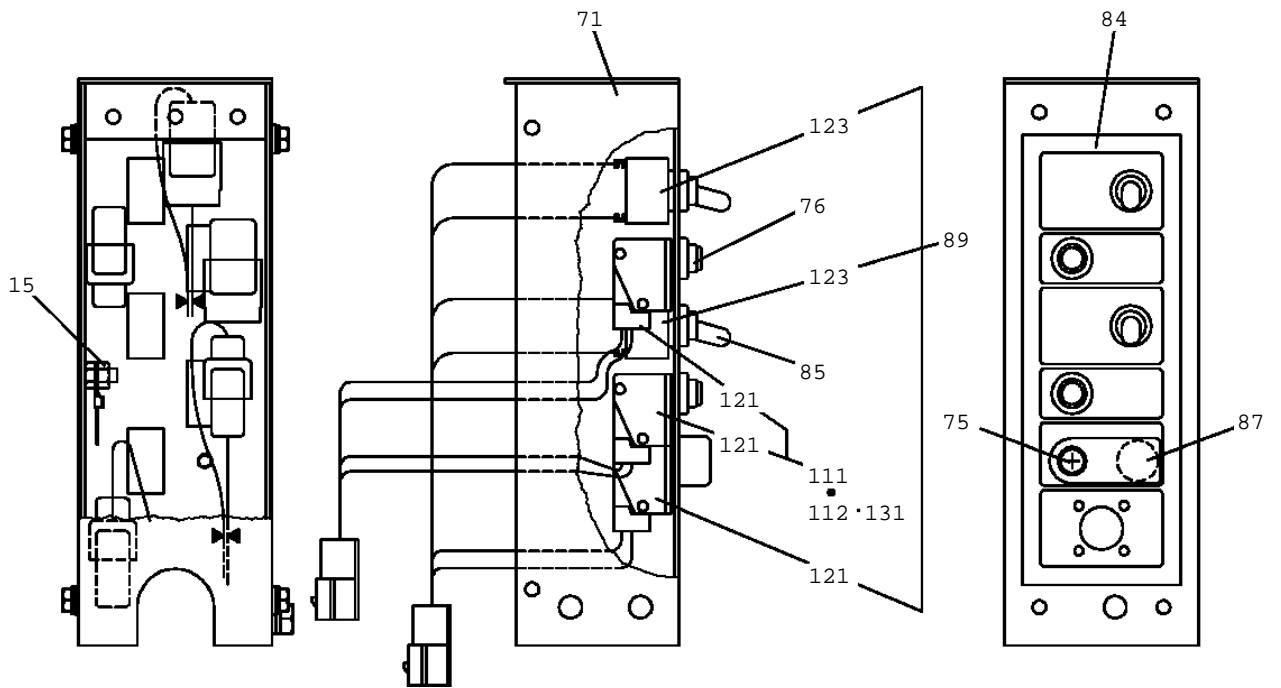
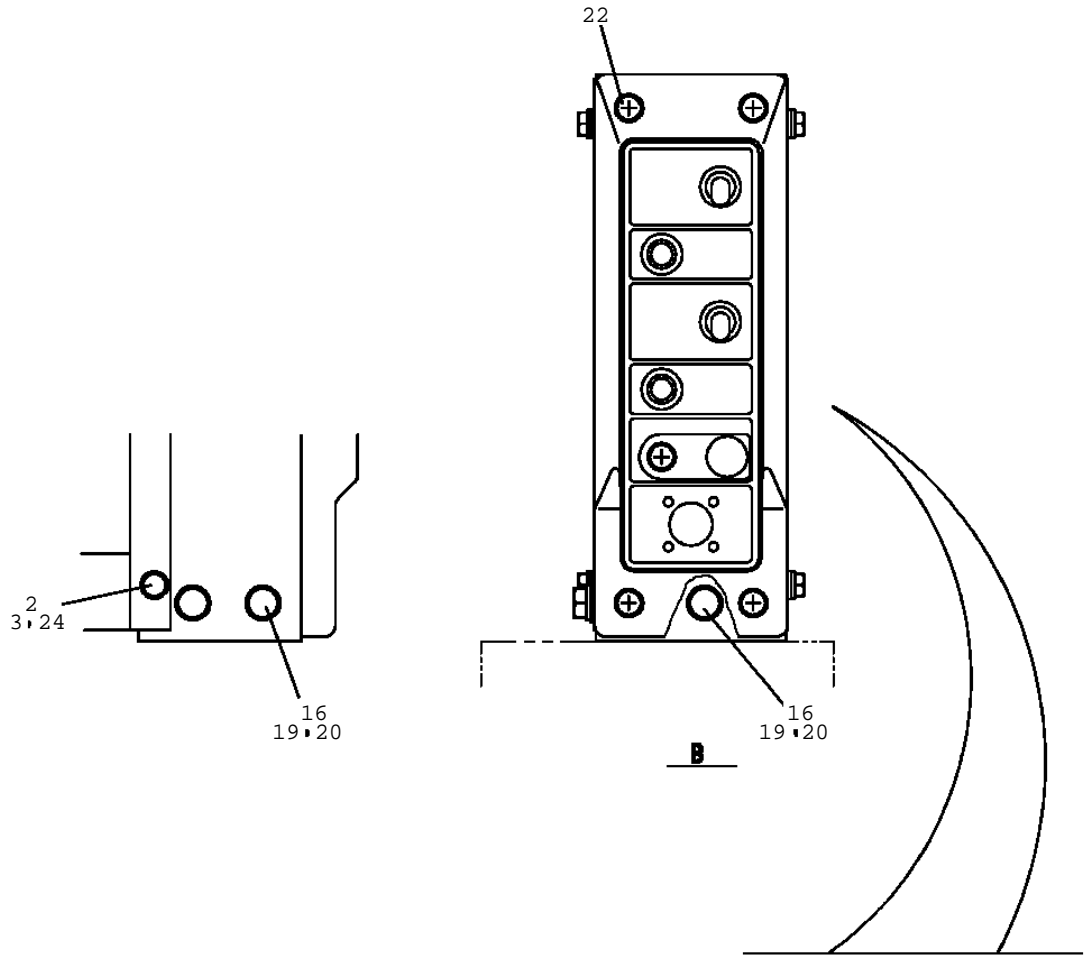
Pos No.	Parts No	Parts Name	Qty	Unit	Technical Data	Serial
1	82100002014	CLAMP	2		WR20	
2	90201200600	NUT	7		M6	
3	90302040601	WASHER,SPRING	33		6	
4	91810130240	FASTENER	20			
5	31360201101	HARNES	1			
6	82401601002	CLAMP	5			
7	90101206012	BOLT	26		M6X12	
8	31360201200	SUPPORT	1			
9	90201200800	NUT	4		M8	
10	90302040801	WASHER,SPRING	8		8	
11	31360201010	SUPPORT	1			
12	90203401200	NUT	2		M16	
13	36140380000	DETECTOR,BOOM ANGLE	1			
14	90101208012	BOLT	4		M8X12	
15	90101205010	BOLT	4		M5X10	
16	90302040501	WASHER,SPRING	4		5	
17	31360191300	COVER ASSY	1			
18	31360191010	COVER	1			
19	31360201300	LAMP ASSY	2			
20	31360191600	BUZZER ASSY	1			
21	90303070601	WASHER,PLAIN	11		6	
24	31360191500	SUPPORT	2			
25	31360191030	SUPPORT ASSY	1			
26	31476021400	HARNES	1			
32	36131310000	DETECTOR,BOOM LENGTH (BML,OPTION)	1			
33	31476021100	HARNES	1			
34	31476021200	SWITCH ASSY	1			
35	31476021300	SUPPORT	1			
36	82100002596	RELAY	2			
37	82100002597	RELAY	1			
51	31360191310	COVER	1			
52	31360191320	PLATE	1			
53	31360191330	SEAL	1			
54	82400000309	GROMMET	1	M	L=1000	
61	82199444321	LAMP	2			
62	31360201310	SUPPORT	2			
71	31476021210	SUPPORT	1			
72	31473744150	SWITCH ASSY	2			
73	82197600101	CAP (BLACK)	2			
75	31476021260	PLATE,NAME	1			
76	31476021270	PLATE,NAME	1			
91	82101419002	SWITCH,PUSH	2			
107	82163361222	LAMP,PILOT	2			

TM-ZF360 41102210360A FRAME/STD,REMOTE-RADIO CONT.,HOOK-IN
 PN1012769-00 ELEC.ASSY (RADIO CONTROL)



A

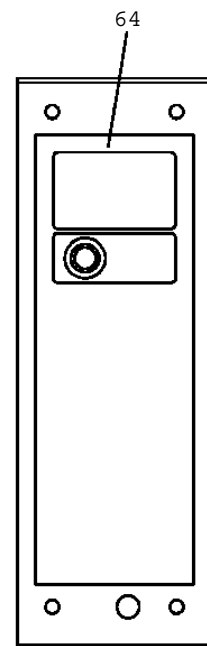
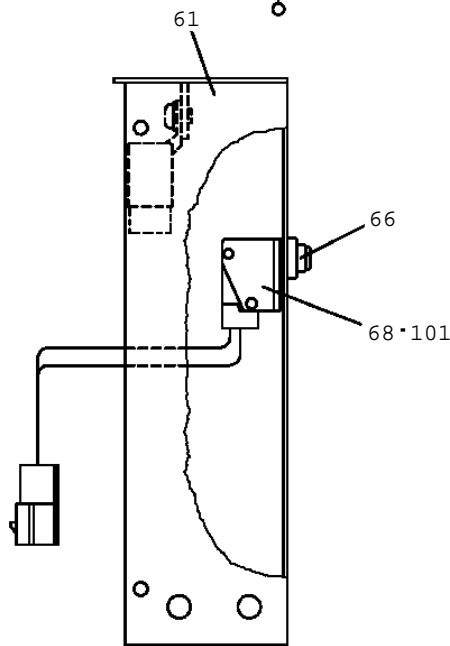
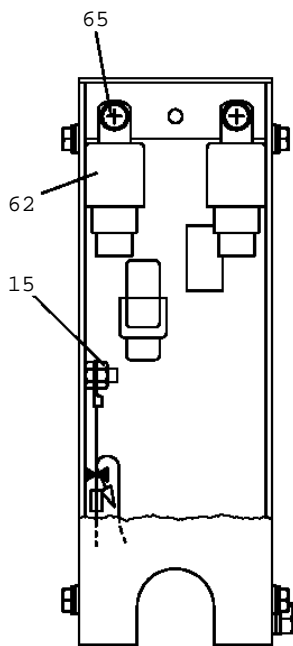
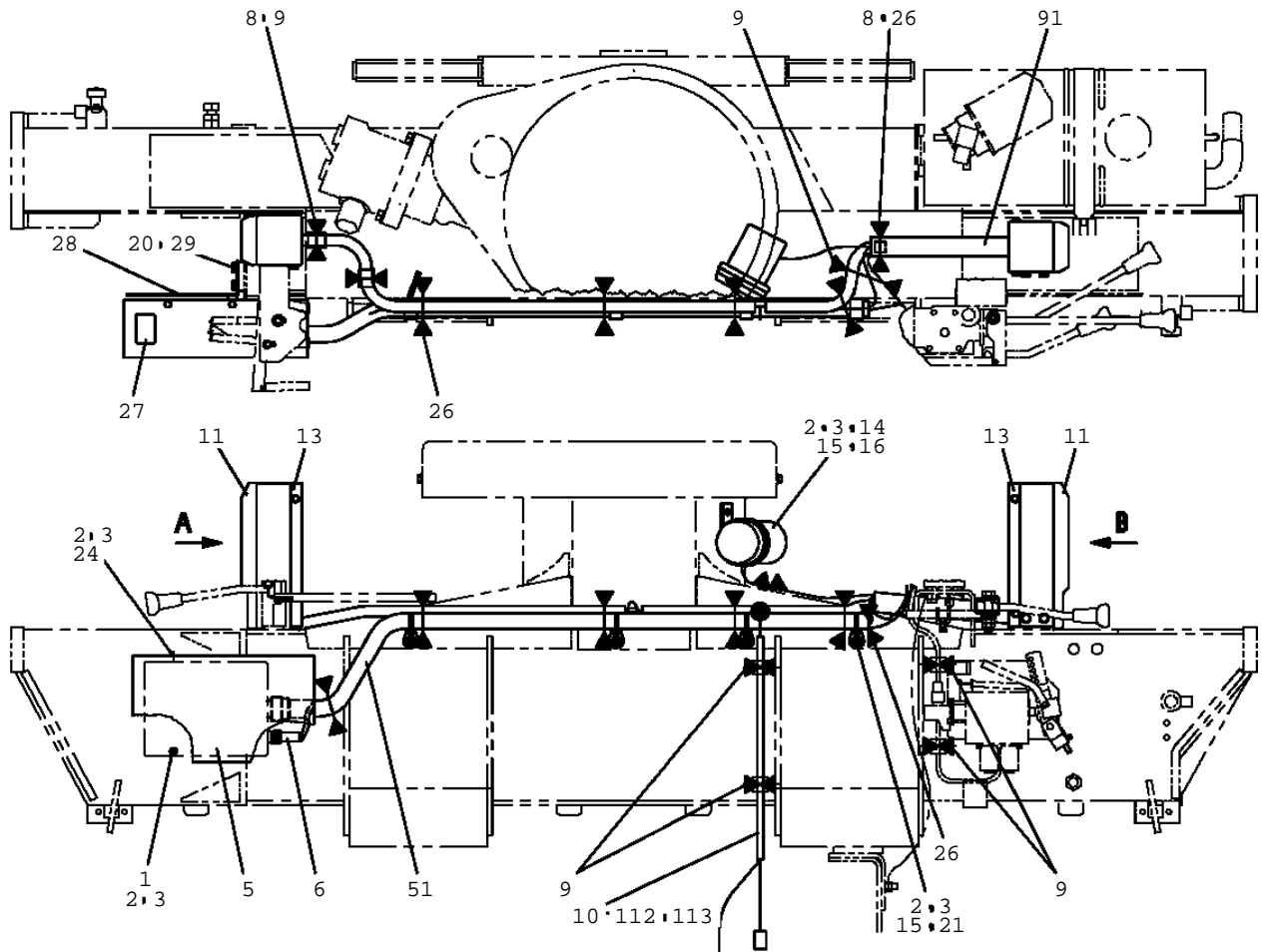
TM-ZF360 41102210360A FRAME/STD,REMOTE-RADIO CONT.,HOOK-IN
 PN1012769-00 ELEC.ASSY (RADIO CONTROL)



TM-ZF360 41102210360A FRAME/STD,REMOTE-RADIO CONT.,HOOK-IN

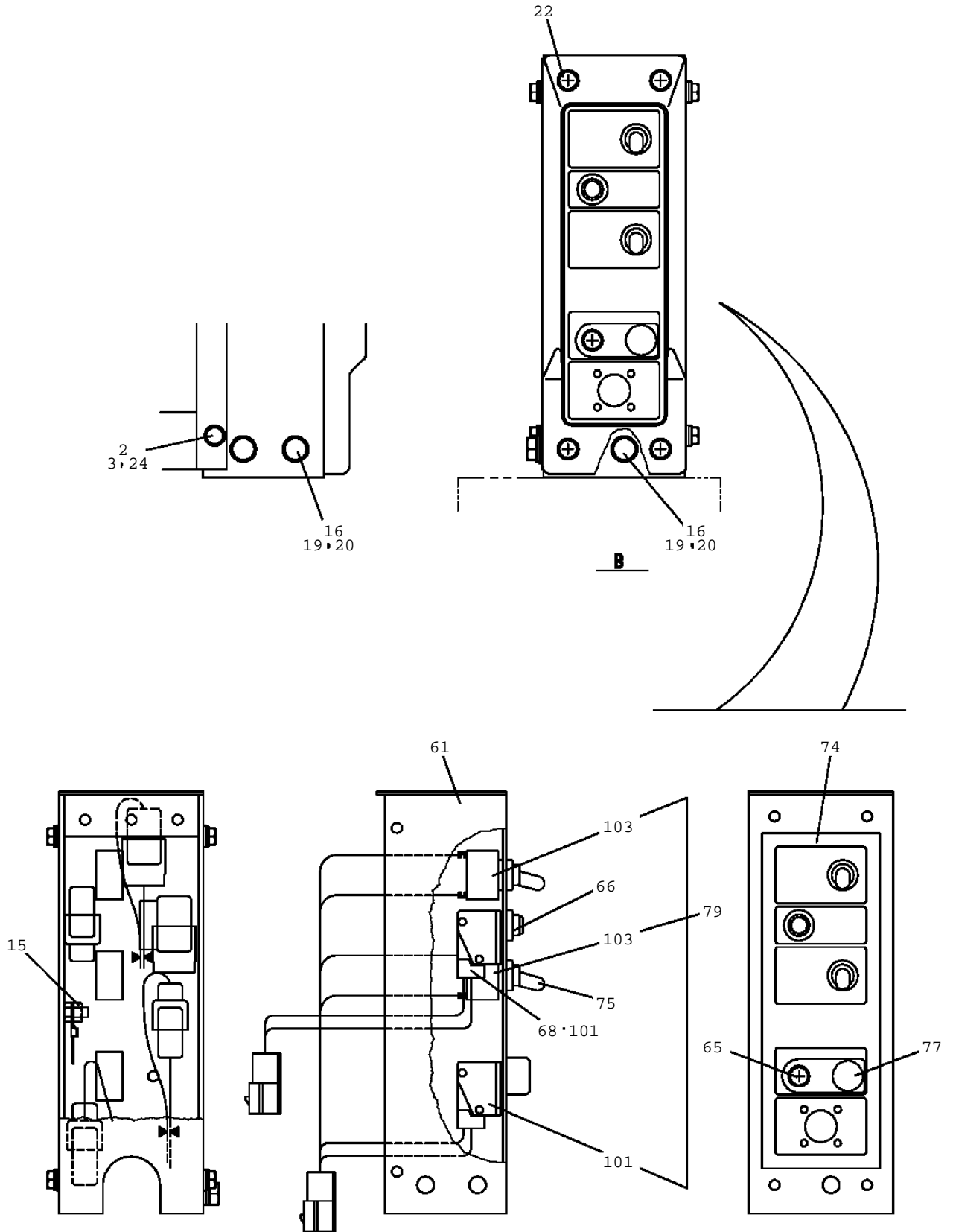
Pos No.	Parts No	Parts Name	Qty	Unit	Technical Data	Serial No
1	90101206075	BOLT	4		M6X75	
2	90302040601	WASHER,SPRING	17		6	
3	90303070601	WASHER,PLAIN	17		6	
5	31651760300	COVER	1			
6	31651760100	HARNES	1			
8	82401601002	CLAMP	2			
9	91810130240	FASTENER	14			
10	31652480100	HARNES	1			
14	31651760700	ALARM ASSY	1			
15	90201200600	NUT	3		M6	
16	90303070801	WASHER,PLAIN	7		8	
19	90101208014	BOLT	6		M8X14	
20	90302040801	WASHER,SPRING	10		8	
21	91850100802	CLAMP (STUD BOLT MOUNT)	4			
22	80192486014	SCREW,MACHINE (WITH WASHER)	8		M6X14	
24	90101206010	BOLT	12		M6X1.0	
26	91810130250	FASTENER	7			
27	31651760800	PLATE,CAUTION	1			
28	31651930100	SUPPORT	1			
29	90101208012	BOLT	4		M8X12	
51	82100001806	TUBE,CORRUGATE	2	M	22	
62	82100001348	FUSE	1		15A,6.5X30	
63	82100002832	HOLDER,FUSE	1			
71	31651761100	PANEL	2			
72	82100002596	RELAY	3			
74	31651761300	PLATE,NAME	1			
75	80192486010	SCREW,MACHINE	4		M6X10	
76	82197600101	CAP (BLACK)	5			
84	31651861100	PLATE,NAME	1			
85	82197518114	CAP (MATSUSHITA/BLACK)	2			
	82197518119	CAP (PLUS ONE MFG./BLACK)	2			
87	31651762400	COVER	1			
89	31651762500	SWITCH ASSY (GREEN: PANASONIC)	1			
101	82100001807	TUBE,CORRUGATE	1	M	28	
111	31651761400	SWITCH ASSY (GREEN: PANASONIC)	2			
112	31651761600	SWITCH ASSY (PLANTING: NACC)	2			

TM-ZF360 41102210360A FRAME/STD,REMOTE-RADIO CONT.,HOOK-IN
 PN1012770-00 ELEC.ASSY (RADIO CONTROL)



A

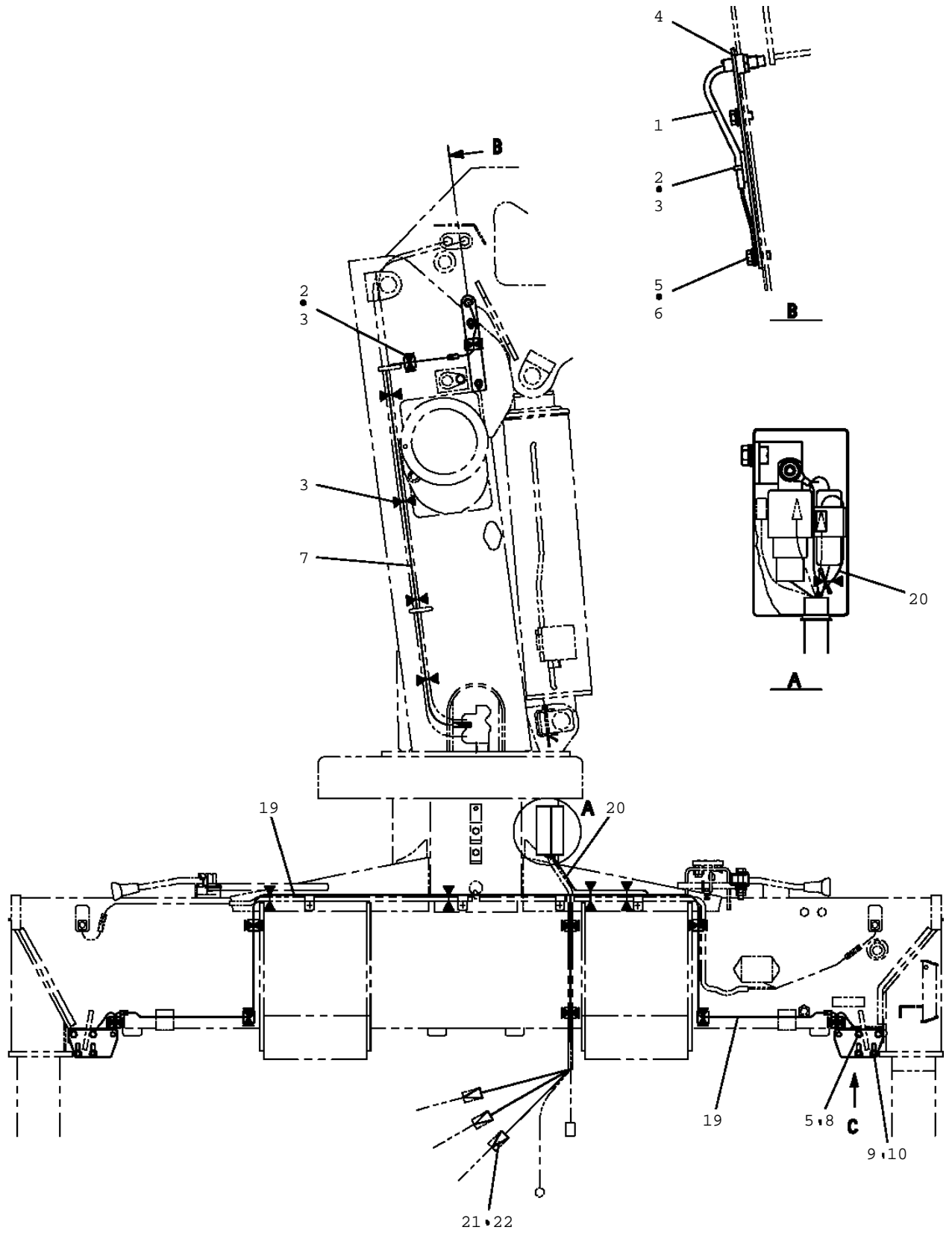
TM-ZF360 41102210360A FRAME/STD,REMOTE-RADIO CONT.,HOOK-IN
PN1012770-00 ELEC.ASSY (RADIO CONTROL)



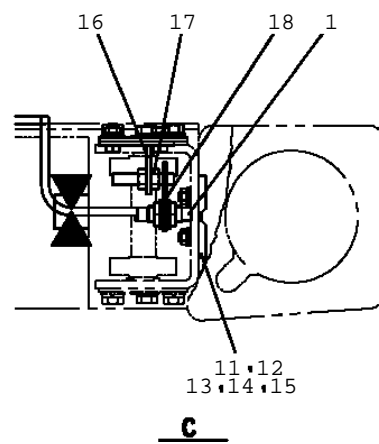
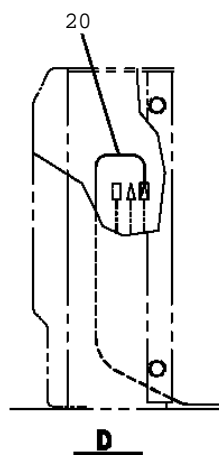
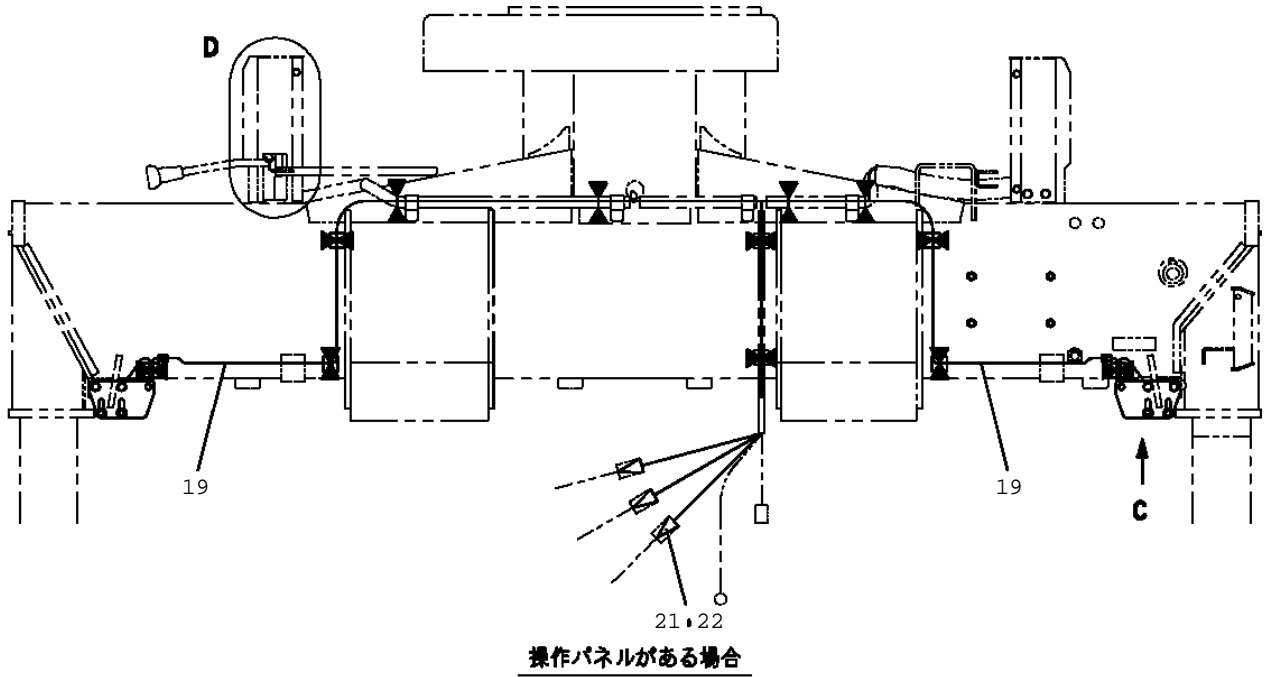
TM-ZF360 41102210360A FRAME/STD,REMOTE-RADIO CONT.,HOOK-IN

Pos No.	Parts No	Parts Name	Qty	Unit	Technical Data	Serial No
1	90101206075	BOLT	4		M6X75	
2	90302040601	WASHER,SPRING	17		6	
3	90303070601	WASHER,PLAIN	17		6	
5	31651760300	COVER	1			
6	31651760100	HARNESS	1			
8	82401601002	CLAMP	3			
9	91810130240	FASTENER	14			
10	31652480100	HARNESS	1			
11	31651760500	COVER	2			
13	31651760400	COVER	2			
14	31651760700	ALARM ASSY	1			
15	90201200600	NUT	3		M6	
16	90303070801	WASHER,PLAIN	7		8	
19	90101208014	BOLT	6		M8X14	
20	90302040801	WASHER,SPRING	10		8	
21	91850100802	CLAMP (STUD BOLT MOUNT)	4			
22	80192486014	SCREW,MACHINE (WITH WASHER)	8		M6X14	
24	90101206010	BOLT	12		M6X1.0	
26	91810130250	FASTENER	7			
27	31651760800	PLATE,CAUTION	1			
28	31651930100	SUPPORT	1			
29	90101208012	BOLT	4		M8X12	
51	82100001806	TUBE,CORRUGATE	2	M	22	
61	31651761100	PANEL	2			
62	82100002596	RELAY	2			
64	31651691200	PLATE,NAME	1			
65	80192486010	SCREW,MACHINE	3		M6X10	
66	82197600101	CAP (BLACK)	3			
68	31651691300	SWITCH ASSY	2			
74	31651841100	PLATE,NAME	1			
75	82197518114	CAP (MATSUSHITA/BLACK)	2			
	82197518119	CAP (PLUS ONE MFG./BLACK)	2			
77	31651762400	COVER	1			
79	31651762500	SWITCH ASSY (GREEN:PANASONIC)	1			
91	82100001807	TUBE,CORRUGATE	1	M	28	
101	82101429241	SWITCH,PUSH (GREEN)	2			
112	82100001348	FUSE	1		15A,6.5X30	
113	82100002832	HOLDER,FUSE	1			

TM-ZF360 41102210360A FRAME/STD,REMOTE-RADIO CONT.,HOOK-IN
PN1012771-00 ELEC.ASSY (ALARM,UPPER)



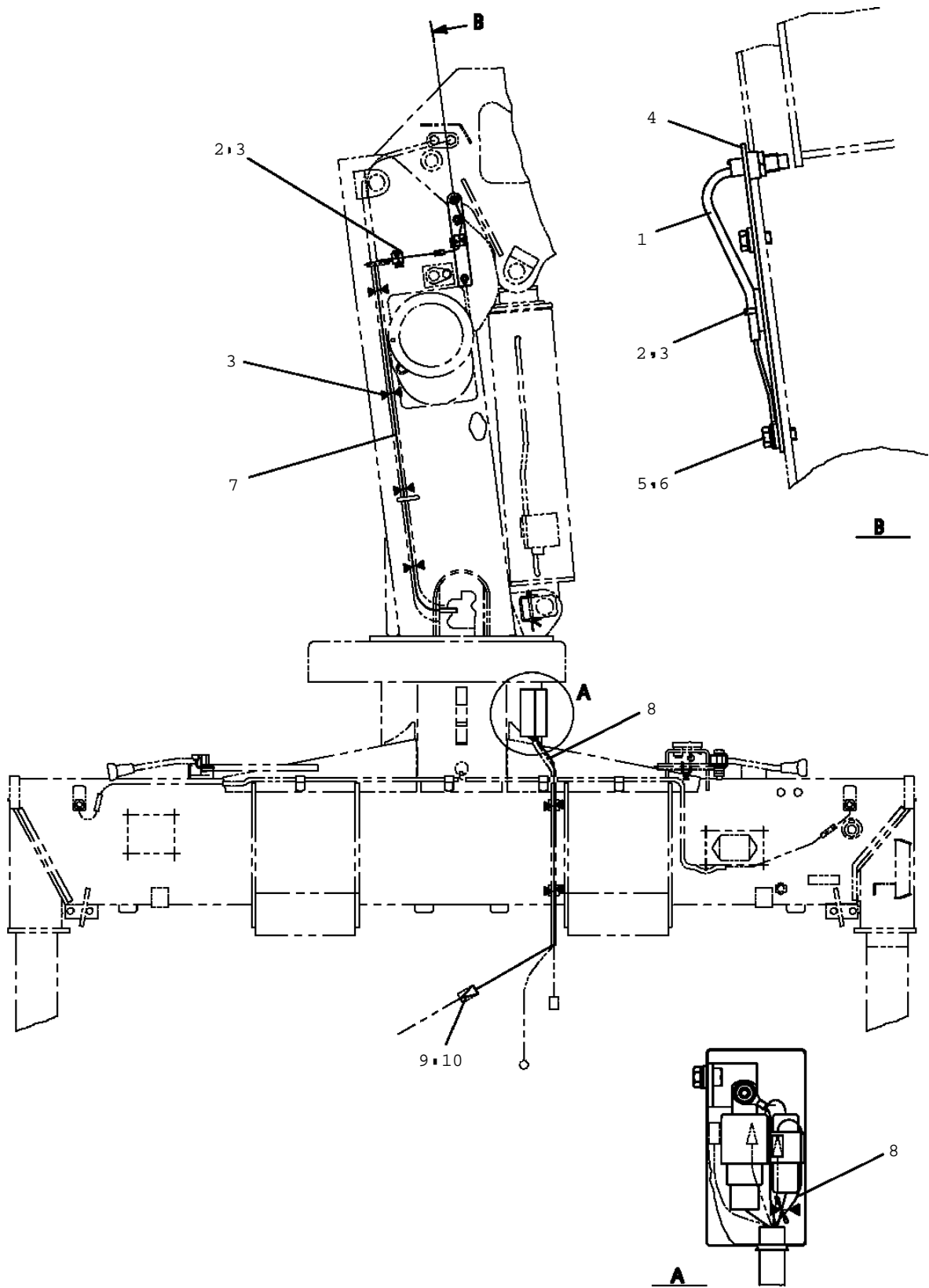
TM-ZF360 41102210360A FRAME/STD,REMOTE-RADIO CONT.,HOOK-IN
PN1012771-00 ELEC.ASSY (ALARM,UPPER)



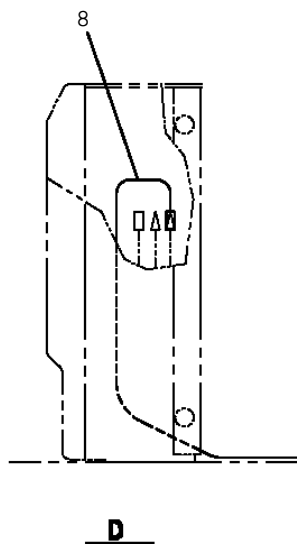
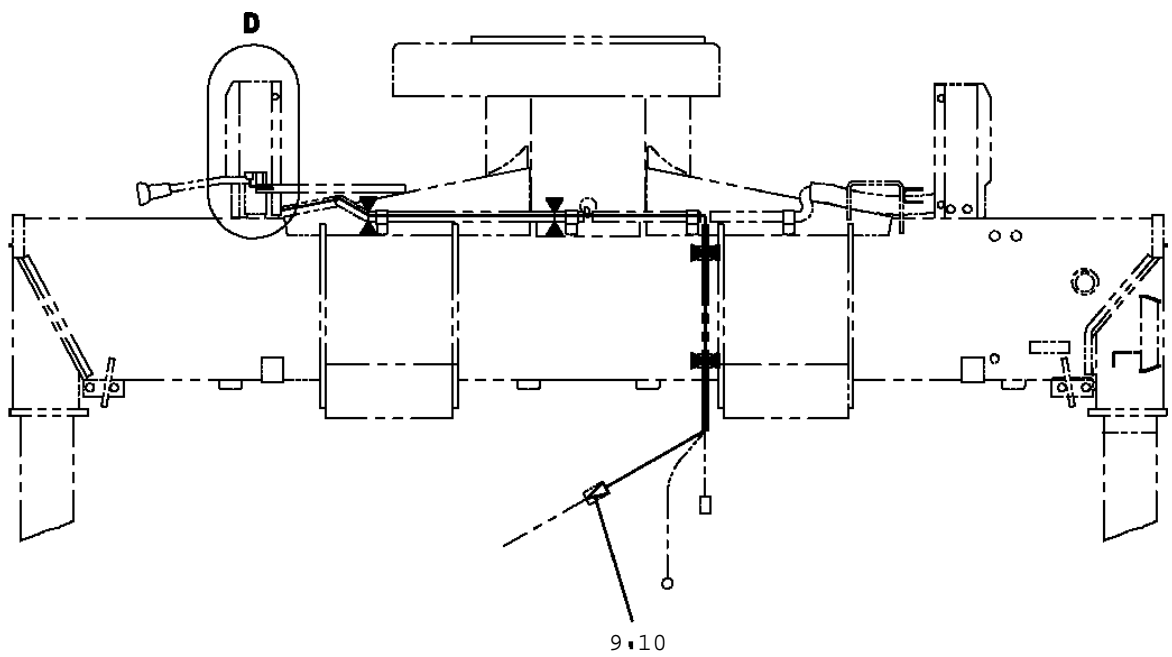
TM-ZF360 41102210360A FRAME/STD,REMOTE-RADIO CONT.,HOOK-IN

Pos No.	Parts No	Parts Name	Qty	Unit	Technical Data	Serial No (Start)	Seri
1	82108901220	SWITCH	3		APS8-12GMC-Z		
2	91850310405	CLAMP (BLACK)	10				
3	91810130240	FASTENER	21				
4	31380291100	SUPPORT	1				
5	90186208016	BOLT,FLANGE	6		M8X16		
6	90303070801	WASHER,PLAIN	2		8		
7	31652160100	HARNESS	1		L=1400		
8	31475381200	SUPPORT	2				
9	90186206016	BOLT,FLANGE	4		M6X16		
10	37000526010	PLATE	4				
11	31475351800	PLATE	2				
12	80185306020	SCREW,MACHINE	4				
13	90302040601	WASHER,SPRING	4		6		
14	90303070601	WASHER,PLAIN	4		6		
15	90201200600	NUT	4		M6		
16	31475351200	SUPPORT	2				
17	90201200800	NUT	4		M8		
18	31475351400	SUPPORT	2				
19	31476361100	HARNESS (RED)	2		L=2000		
20	31476361200	HARNESS (WHITE)	1		L=2000		
21	82100000192	TERMINAL	3				
22	82100000182	INSULATOR	3				

TM-ZF360 41102210360A FRAME/STD,REMOTE-RADIO CONT.,HOOK-IN
PN1012772-01 ELEC.ASSY (ALARM,UPPER)



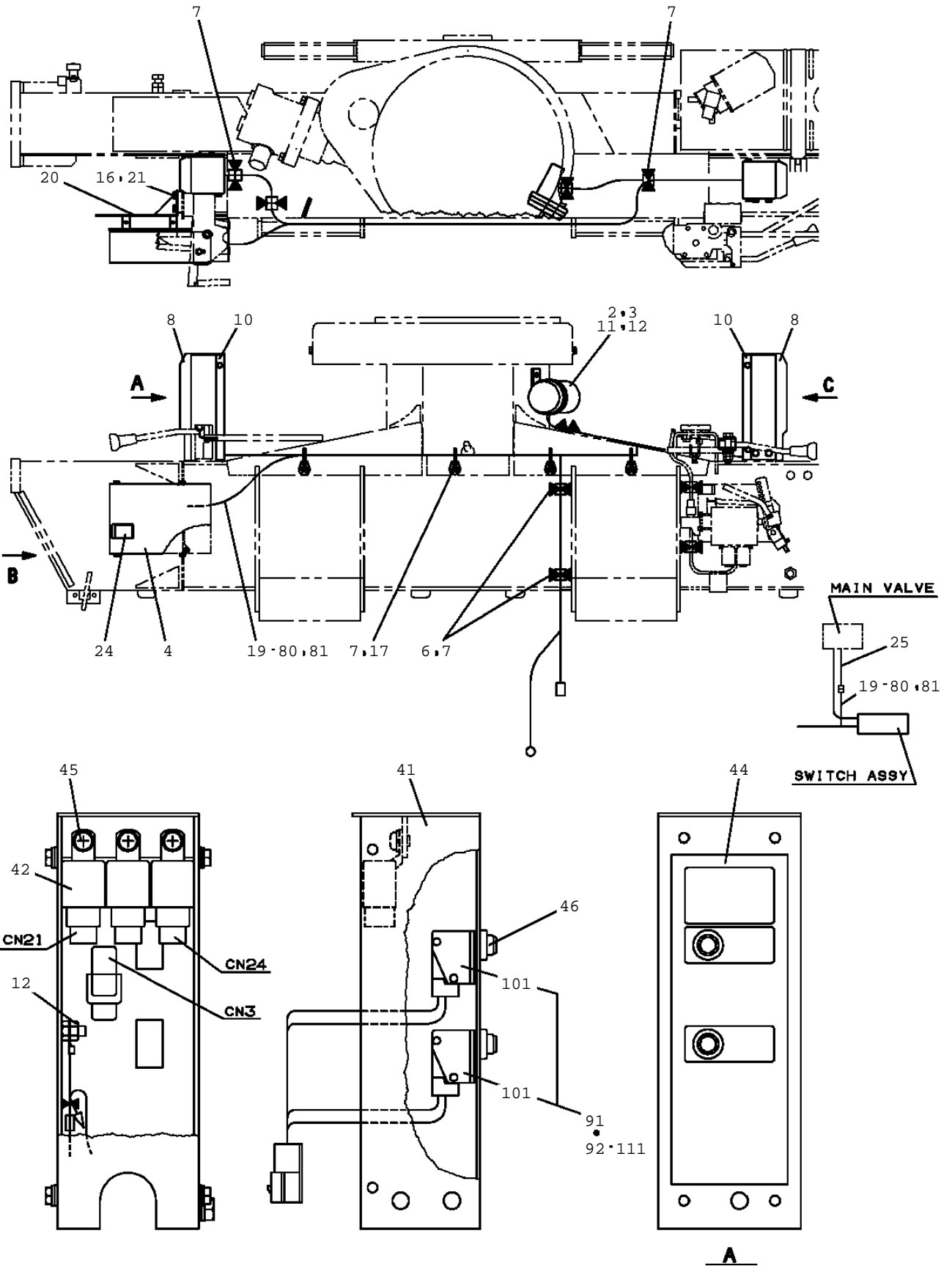
TM-ZF360 41102210360A FRAME/STD,REMOTE-RADIO CONT.,HOOK-IN
PN1012772-01 ELEC.ASSY (ALARM,UPPER)



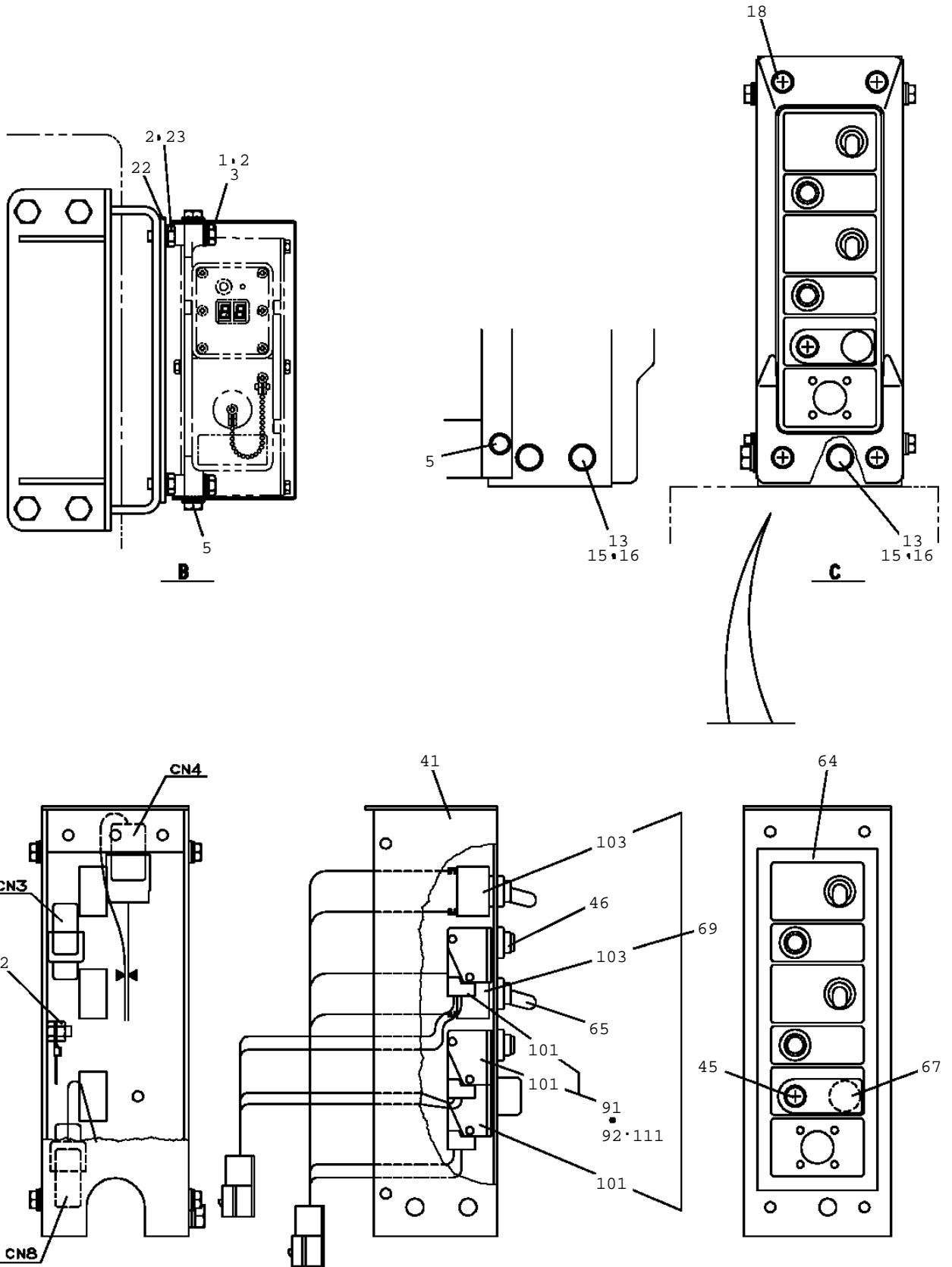
TM-ZF360 41102210360A FRAME/STD,REMOTE-RADIO CONT.,HOOK-IN

Pos No.	Parts No	Parts Name	Qty	Unit	Technical Data	Serial No (Start)	Seri
1	82108901220	SWITCH	1		APS8-12GMC-Z		
	82108901180	SWITCH	1		APS8-12GM-Z		
2	91850310405	CLAMP (BLACK)	2				
3	91810130240	FASTENER	10				
4	31380291100	SUPPORT	1				
5	90186208016	BOLT, FLANGE	2		M8X16		
6	90303070801	WASHER, PLAIN	2		8		
7	31652160100	HARNESS	1		L=1400		
8	31476361200	HARNESS (WHITE)	1		L=2000		
9	82100000192	TERMINAL	1				
10	82100000182	INSULATOR	1				

TM-ZF360 41102210360A FRAME/STD,REMOTE-RADIO CONT.,HOOK-IN
 PN1012773-01 ELEC.ASSY (RADIO CONTROL)



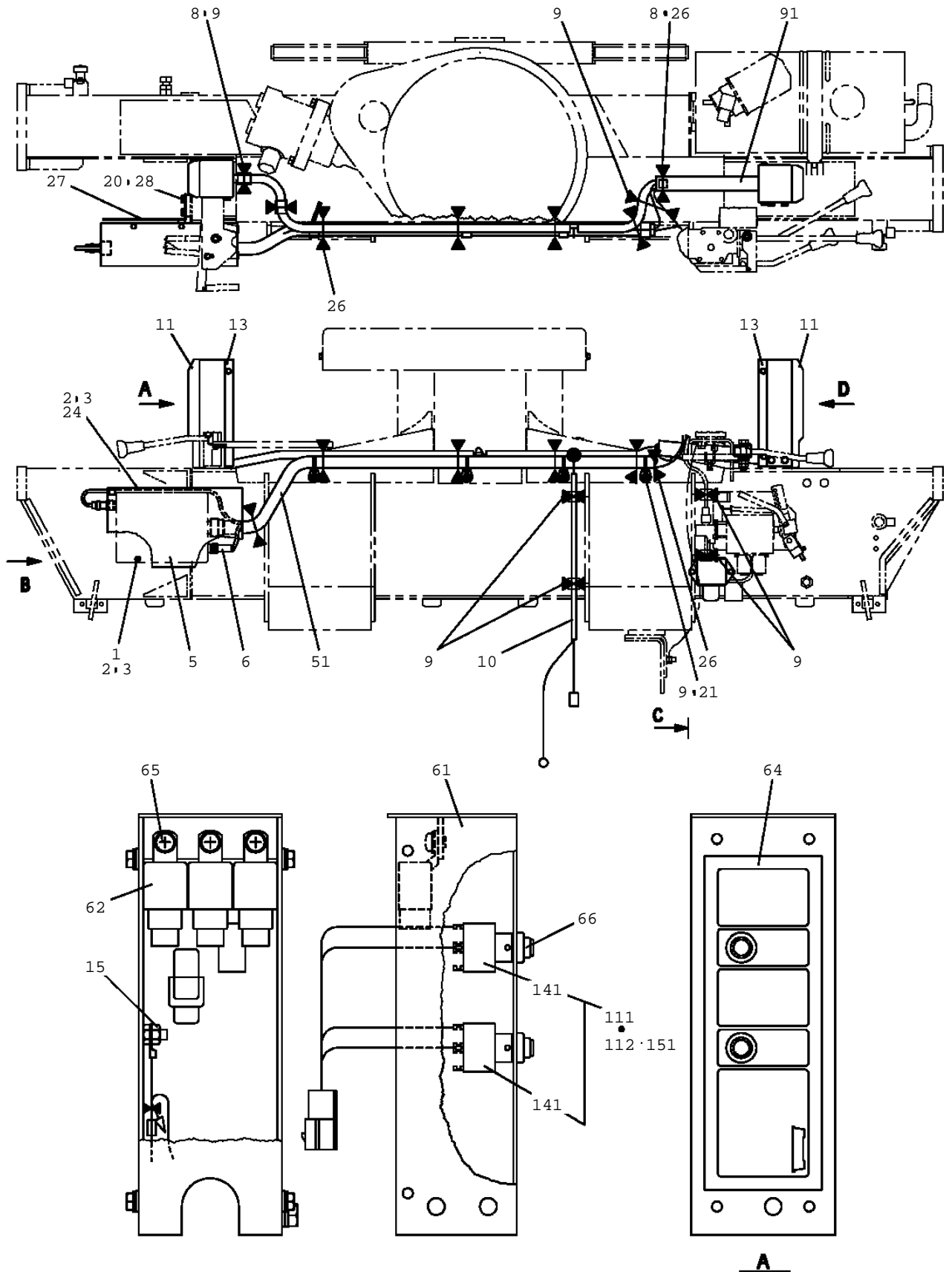
TM-ZF360 41102210360A FRAME/STD,REMOTE-RADIO CONT.,HOOK-IN
 PN1012773-01 ELEC.ASSY (RADIO CONTROL)



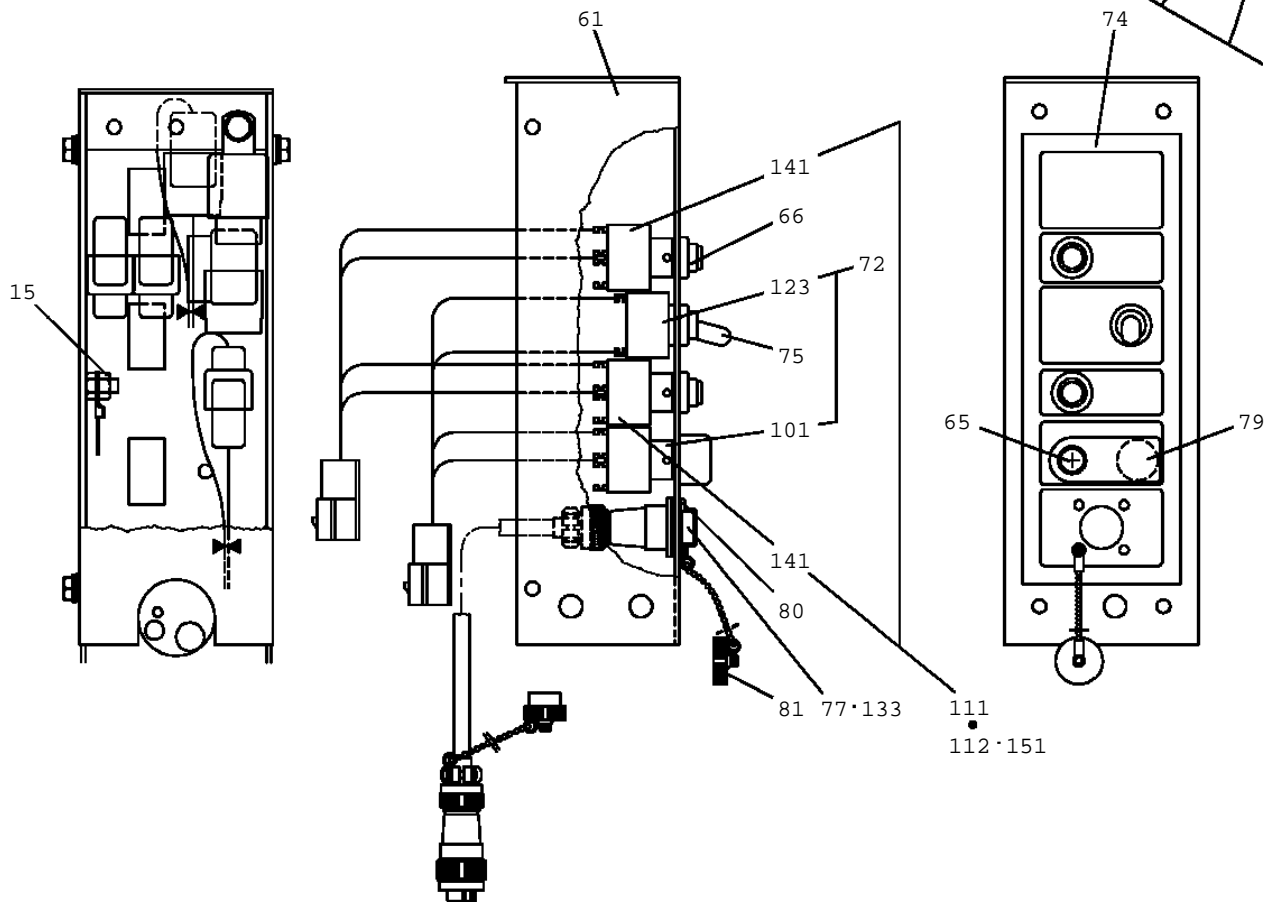
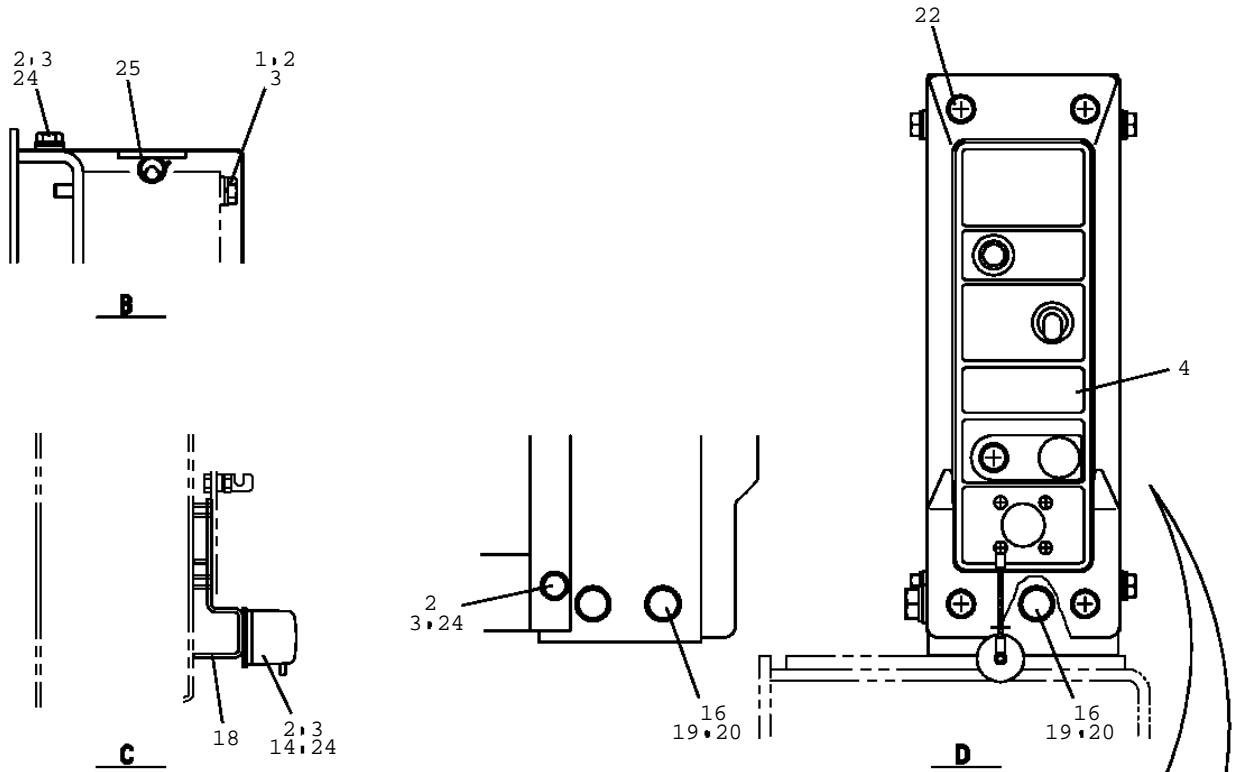
TM-ZF360 41102210360A FRAME/STD,REMOTE-RADIO CONT.,HOOK-IN

Pos No.	Parts No	Parts Name	Qty	Unit	Technical Data	Serial No
1	90101206030	BOLT	4		M6X30	
2	90302040601	WASHER,SPRING	9		6	
3	90303070601	WASHER,PLAIN	5		6	
4	31653221300	COVER	1			
5	90186206010	BOLT,FLANGE	12		M6X10	
6	82401601002	CLAMP	8			
7	91810130240	FASTENER	14			
8	31651760500	COVER	2			
10	31651760400	COVER	2			
11	31651760700	ALARM ASSY	1			
12	90201200600	NUT	3		M6	
13	90303070801	WASHER,PLAIN	6		8	
15	90101208014	BOLT	6		M8X14	
16	90302040801	WASHER,SPRING	10		8	
17	91850100802	CLAMP (STUD BOLT MOUNT)	4			
18	80192486014	SCREW,MACHINE (WITH WASHER)	8		M6X14	
19	31473795100	HARNES	1			
20	31651930100	SUPPORT	1			
21	90101208012	BOLT	4		M8X12	
22	31473795200	SUPPORT	1			
23	90101206012	BOLT	4		M6X12	
24	31651760800	PLATE,CAUTION	1			
25	31473790100	HARNES	1			
41	31651761100	PANEL	2			
42	82100002596	RELAY	3			
44	31651761300	PLATE,NAME	1			
45	80192486010	SCREW,MACHINE	4		M6X10	
46	82197600101	CAP (BLACK)	5			
64	31651861100	PLATE,NAME	1			
65	82197518114	CAP (MATSUSHITA/BLACK)	2			
	82197518119	CAP (PLUS ONE MFG./BLACK)	2			
67	31651762400	COVER	1			
69	31651762500	SWITCH ASSY (GREEN:PANASONIC)	1			
80	82100000745	FUSE	1		10A,6.5X30	
81	82100002832	HOLDER,FUSE	1			
91	31651761400	SWITCH ASSY (GREEN:PANASONIC)	2			
92	31651761600	SWITCH ASSY (PLANTING:NACC)	2			

TM-ZF360 41102210360A FRAME/STD,REMOTE-RADIO CONT.,HOOK-IN
 PN1012774-00 ELEC.ASSY (REMOTE CONTROL, FOR EXPORT)



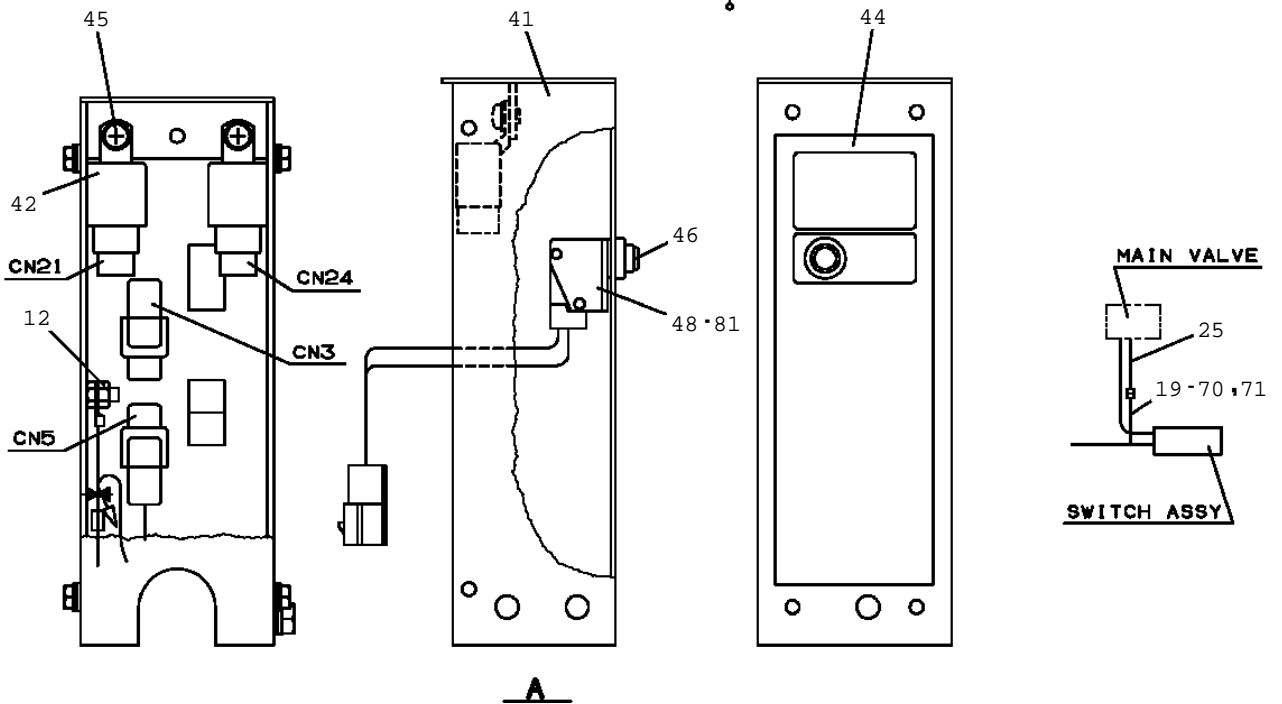
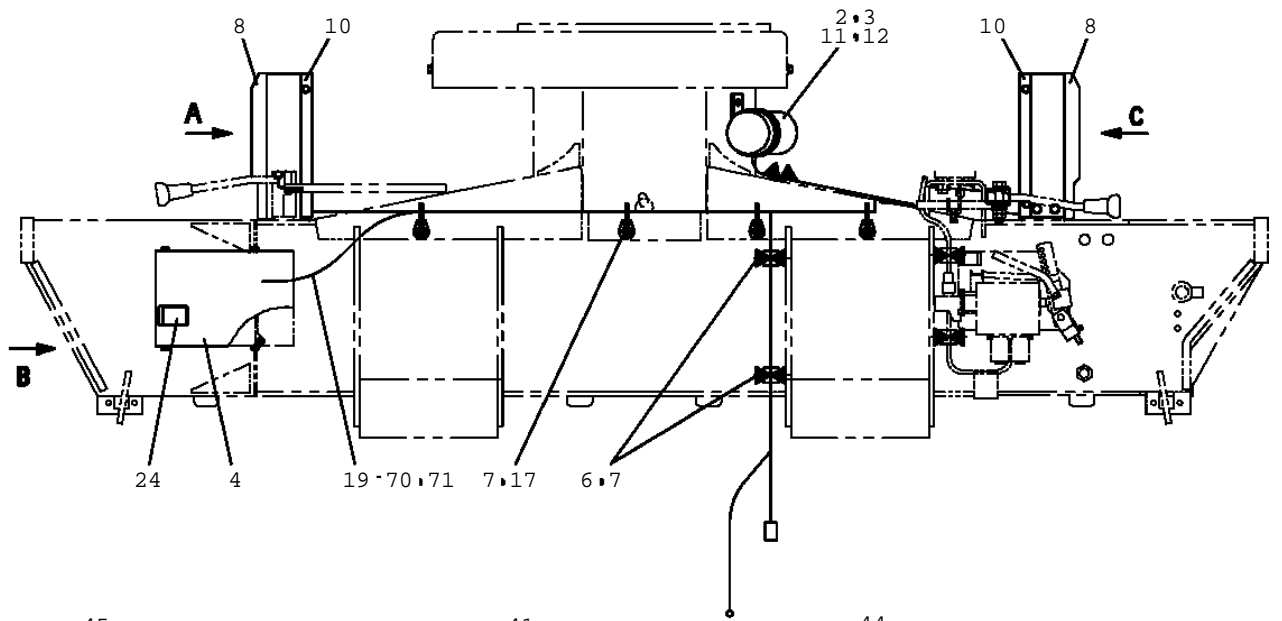
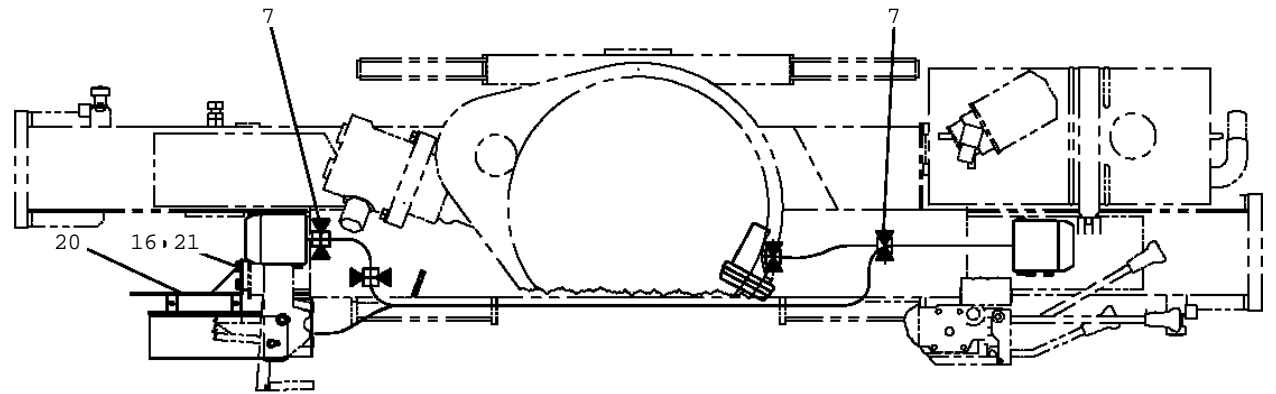
TM-ZF360 41102210360A FRAME/STD,REMOTE-RADIO CONT.,HOOK-IN
 PN1012774-00 ELEC.ASSY (REMOTE CONTROL, FOR EXPORT)



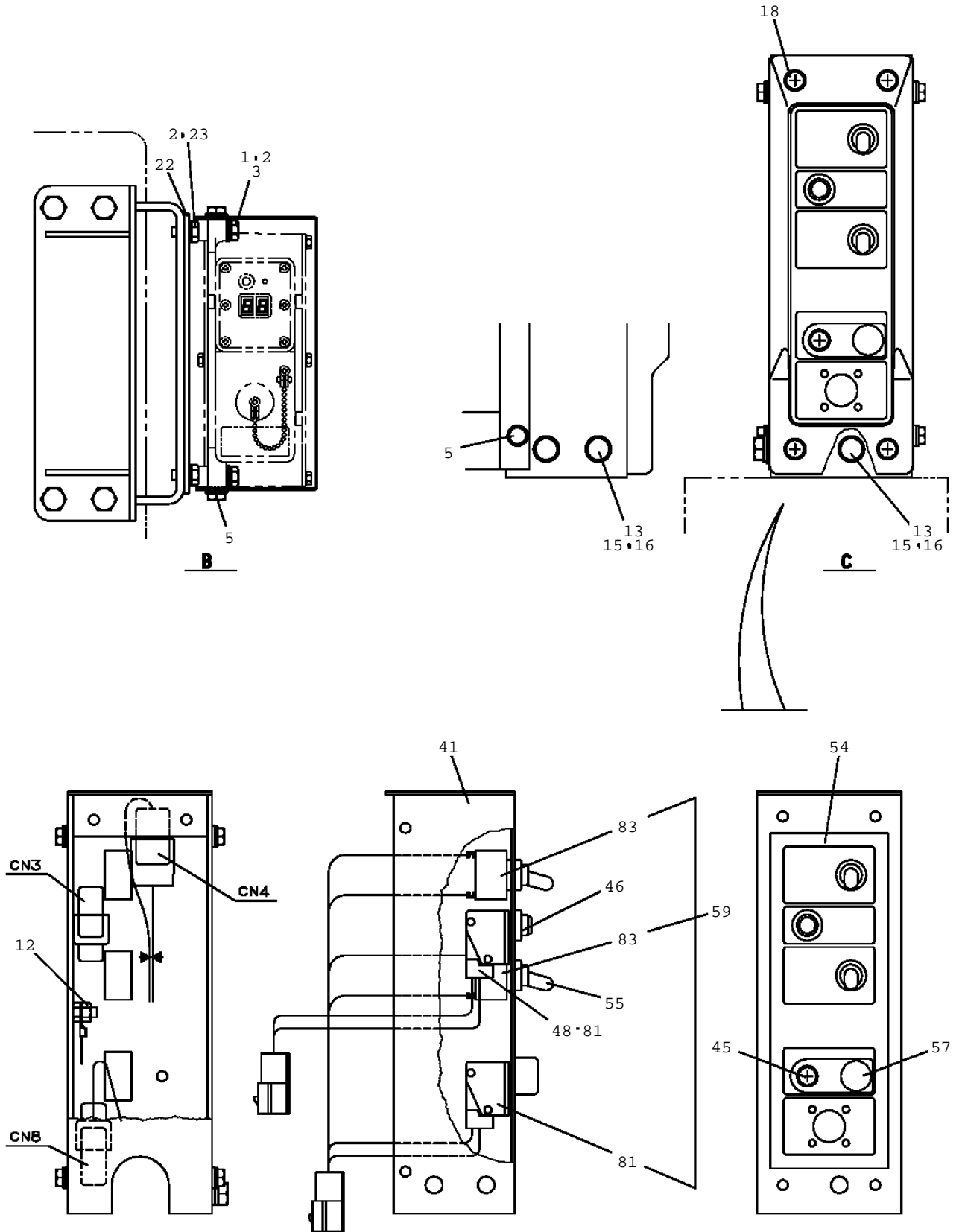
TM-ZF360 41102210360A FRAME/STD,REMOTE-RADIO CONT.,HOOK-IN

Pos No.	Parts No	Parts Name	Qty	Unit	Technical Data	Serial No
1	90101206075	BOLT	4		M6X75	
2	90302040601	WASHER,SPRING	18		6	
3	90303070601	WASHER,PLAIN	18		6	
4	31475742100	PLATE,NAME (NON-USE SEAL)	2			
5	31651760300	COVER	1			
6	31475122100	HARNESS	1			
8	82401601002	CLAMP	3			
9	91810130240	FASTENER	14			
10	31475122200	HARNESS	1			
11	31651760500	COVER	2			
13	31651760400	COVER	2			
14	31651750200	BUZZER ASSY	1			
15	90201200600	NUT	2		M6	
16	90303070801	WASHER,PLAIN	6		8	
18	31475122600	SUPPORT	1			
19	90101208014	BOLT	6		M8X14	
20	90302040801	WASHER,SPRING	10		8	
21	91850100802	CLAMP (STUD BOLT MOUNT)	4			
22	80192486014	SCREW,MACHINE (WITH WASHER)	8		M6X14	
24	90101206010	BOLT	14		M6X1.0	
25	82401600510	CLAMP	1		10	
26	91810130250	FASTENER	7			
27	31651930100	SUPPORT	1			
28	90101208012	BOLT	4		M8X12	
51	82100001806	TUBE,CORRUGATE	2	M	22	
61	31651761100	PANEL	2			
62	82100002596	RELAY	3			
64	31475122310	PLATE,NAME	1			
65	80192486010	SCREW,MACHINE	4		M6X10	
66	82197600101	CAP (BLACK)	5			
72	31475122500	SWITCH ASSY	1			
74	31475132410	PLATE,NAME	1			
75	82197518114	CAP (MATSUSHITA/BLACK)	1			
	82197518119	CAP (PLUS ONE MFG./BLACK)	1			
77	31651762300	HARNESS	1			
79	31651762400	COVER	1			
80	80192483010	SCREW,MACHINE	4		M3X10	
81	82100002490	CAP	1			
91	82100001807	TUBE,CORRUGATE	1	M	28	
101	82101419002	SWITCH,PUSH	1			
111	31651761400	SWITCH ASSY (GREEN:PANASONIC)	2			
112	31651761600	SWITCH ASSY (PLANTING:NACC)	2			
123	82105410110	SWITCH,TOGGLE	1			
133	82100002478	CAP	1			

TM-ZF360 41102210360A FRAME/STD,REMOTE-RADIO CONT.,HOOK-IN
 PN1012788-01 ELEC.ASSY (RADIO CONTROL)



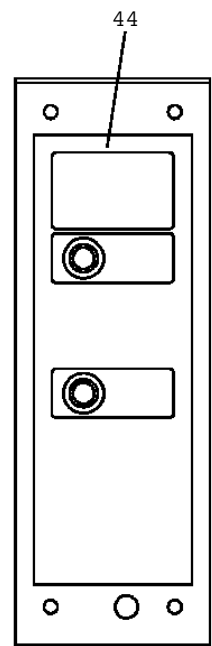
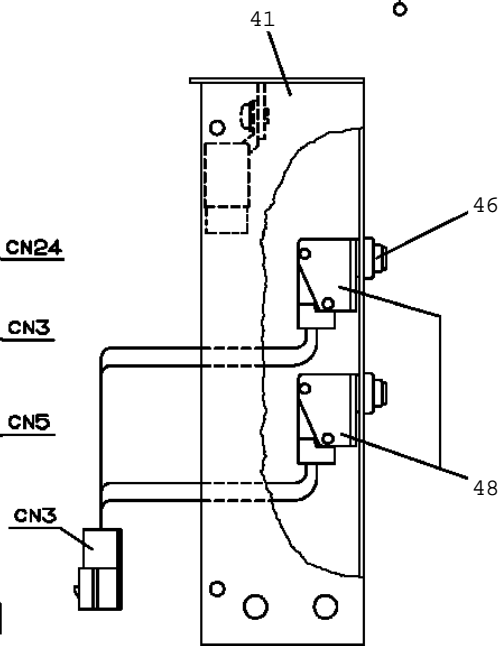
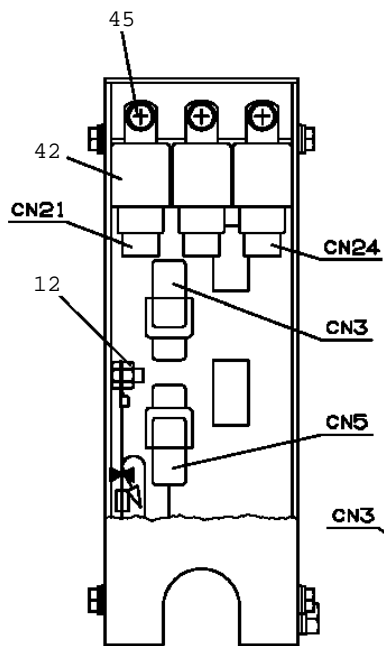
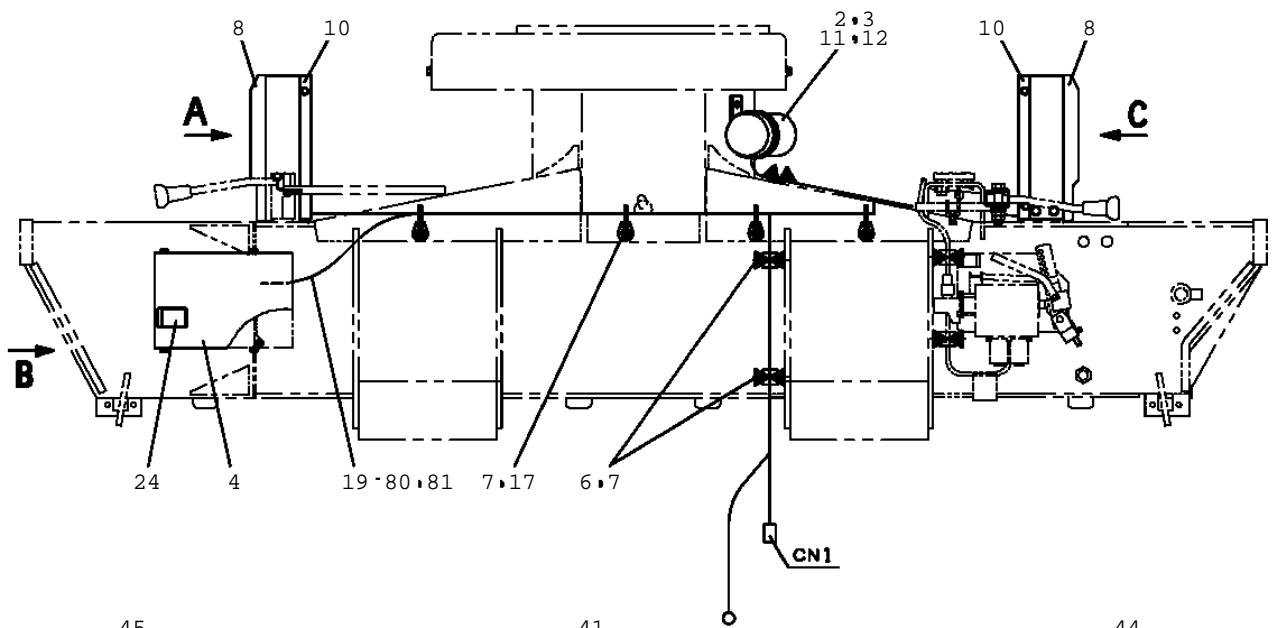
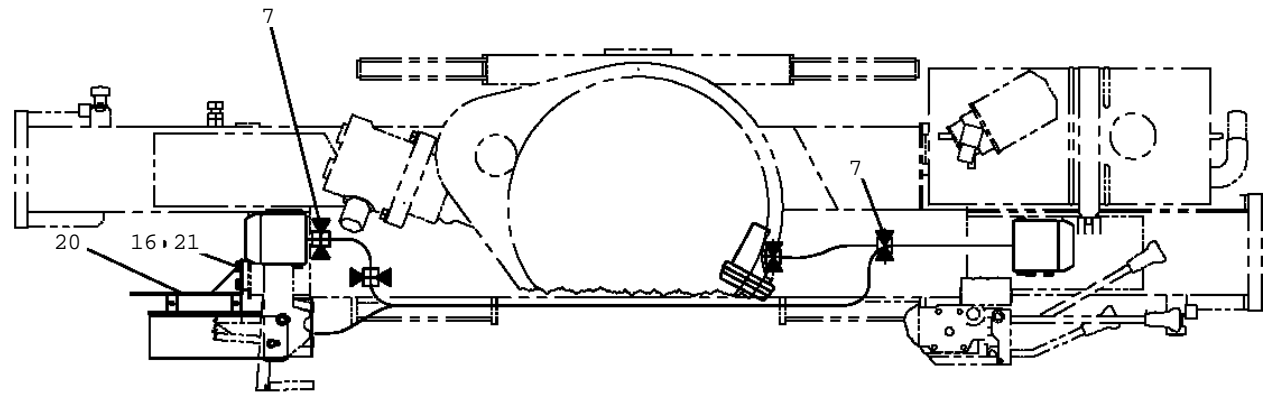
TM-ZF360 41102210360A FRAME/STD,REMOTE-RADIO CONT.,HOOK-IN
 PN1012788-01 ELEC.ASSY (RADIO CONTROL)



TM-ZF360 41102210360A FRAME/STD,REMOTE-RADIO CONT.,HOOK-IN

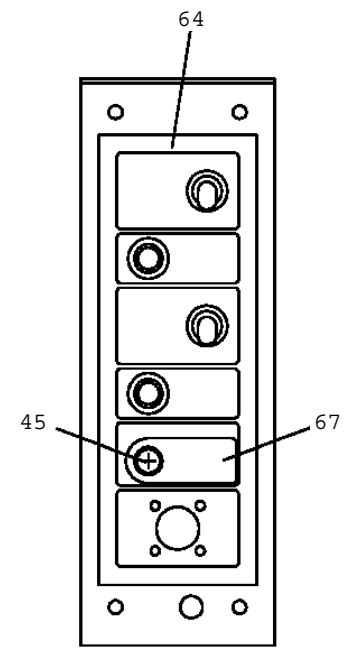
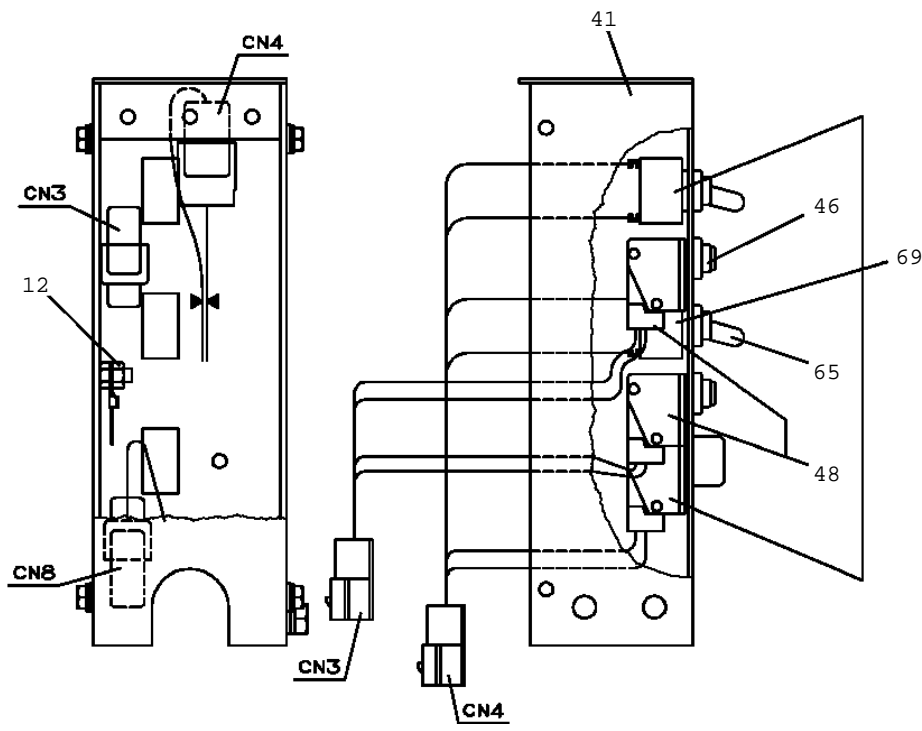
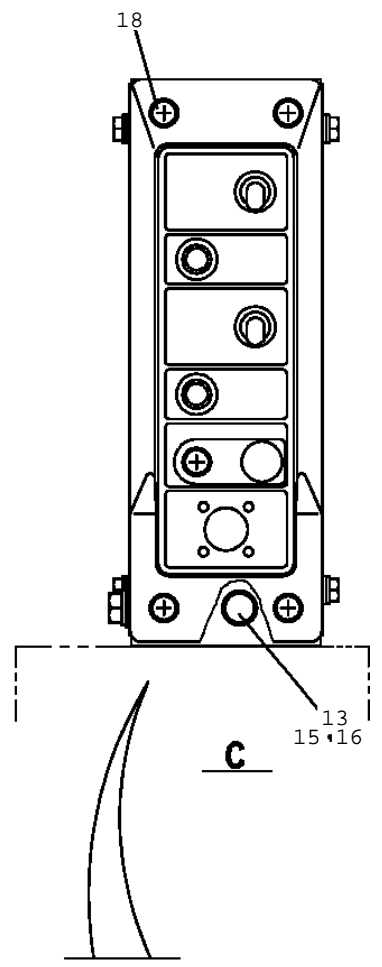
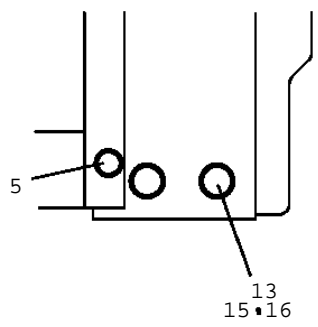
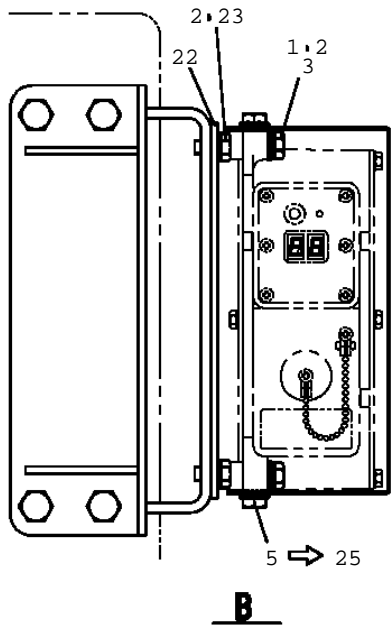
Pos No.	Parts No	Parts Name	Qty	Unit	Technical Data	Serial No
1	90101206030	BOLT	4		M6X30	
2	90302040601	WASHER,SPRING	9		6	
3	90303070601	WASHER,PLAIN	5		6	
4	31653221300	COVER	1			
5	90186206010	BOLT,FLANGE	12		M6X10	
6	82401601002	CLAMP	8			
7	91810130240	FASTENER	14			
8	31651760500	COVER	2			
10	31651760400	COVER	2			
11	31651760700	ALARM ASSY	1			
12	90201200600	NUT	3		M6	
13	90303070801	WASHER,PLAIN	6		8	
15	90101208014	BOLT	6		M8X14	
16	90302040801	WASHER,SPRING	10		8	
17	91850100802	CLAMP (STUD BOLT MOUNT)	4			
18	80192486014	SCREW,MACHINE (WITH WASHER)	8		M6X14	
19	31473795100	HARNES	1			
20	31651930100	SUPPORT	1			
21	90101208012	BOLT	4		M8X12	
22	31473795200	SUPPORT	1			
23	90101206012	BOLT	4		M6X12	
24	31651760800	PLATE,CAUTION	1			
25	31473790100	HARNES	1			
41	31651761100	PANEL	2			
42	82100002596	RELAY	2			
44	31651691200	PLATE,NAME	1			
45	80192486010	SCREW,MACHINE	3		M6X10	
46	82197600101	CAP (BLACK)	3			
48	31651691300	SWITCH ASSY	2			
54	31651841100	PLATE,NAME	1			
55	82197518119	CAP (PLUS ONE MFG./BLACK)	2			
	82197518114	CAP (MATSUSHITA/BLACK)	2			
57	31651762400	COVER	1			
59	31651762500	SWITCH ASSY (GREEN: PANASONIC)	1			
70	82100000745	FUSE	1		10A,6.5X30	
71	82100002832	HOLDER,FUSE	1			
81	82101429241	SWITCH,PUSH (GREEN)	2			

TM-ZF360 41102210360A FRAME/STD,REMOTE-RADIO CONT.,HOOK-IN
 PN1013065-01 ELEC.ASSY (RADIO CONTROL)



A

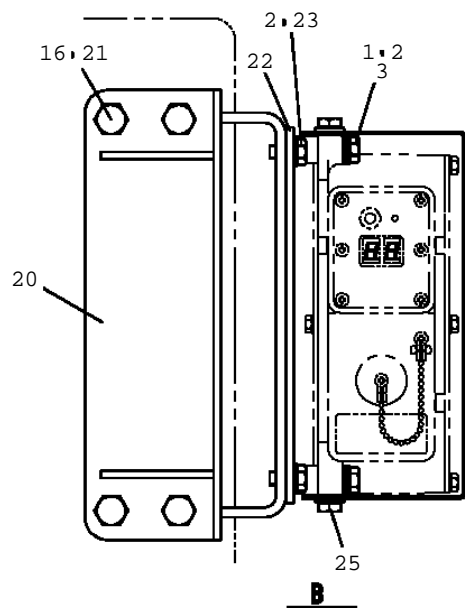
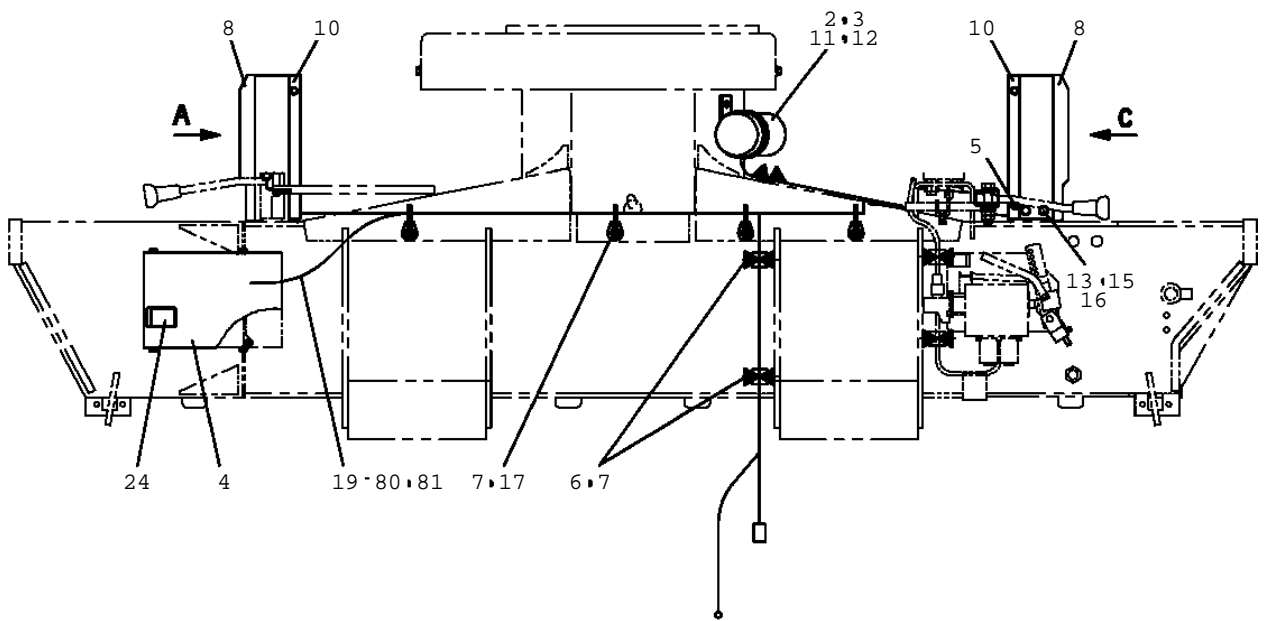
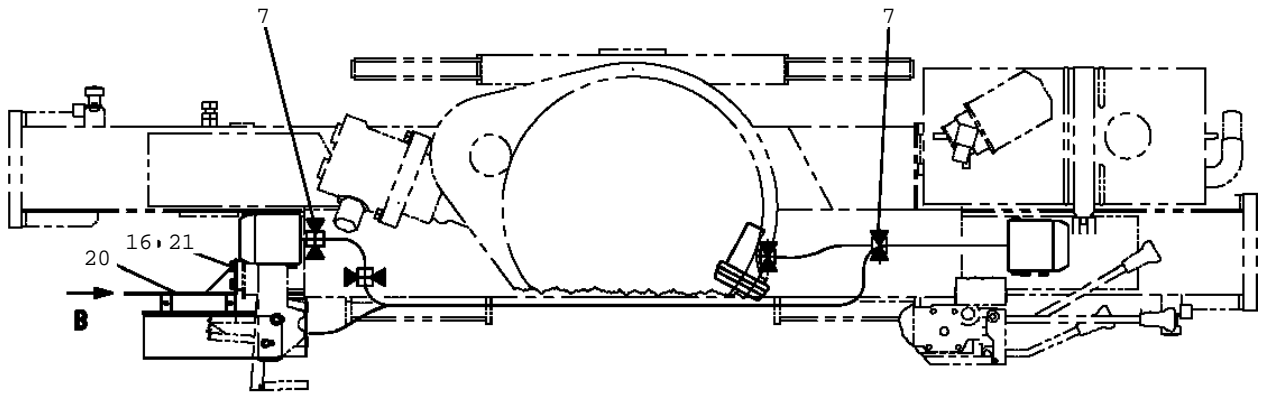
TM-ZF360 41102210360A FRAME/STD,REMOTE-RADIO CONT.,HOOK-IN
 PN1013065-01 ELEC.ASSY (RADIO CONTROL)



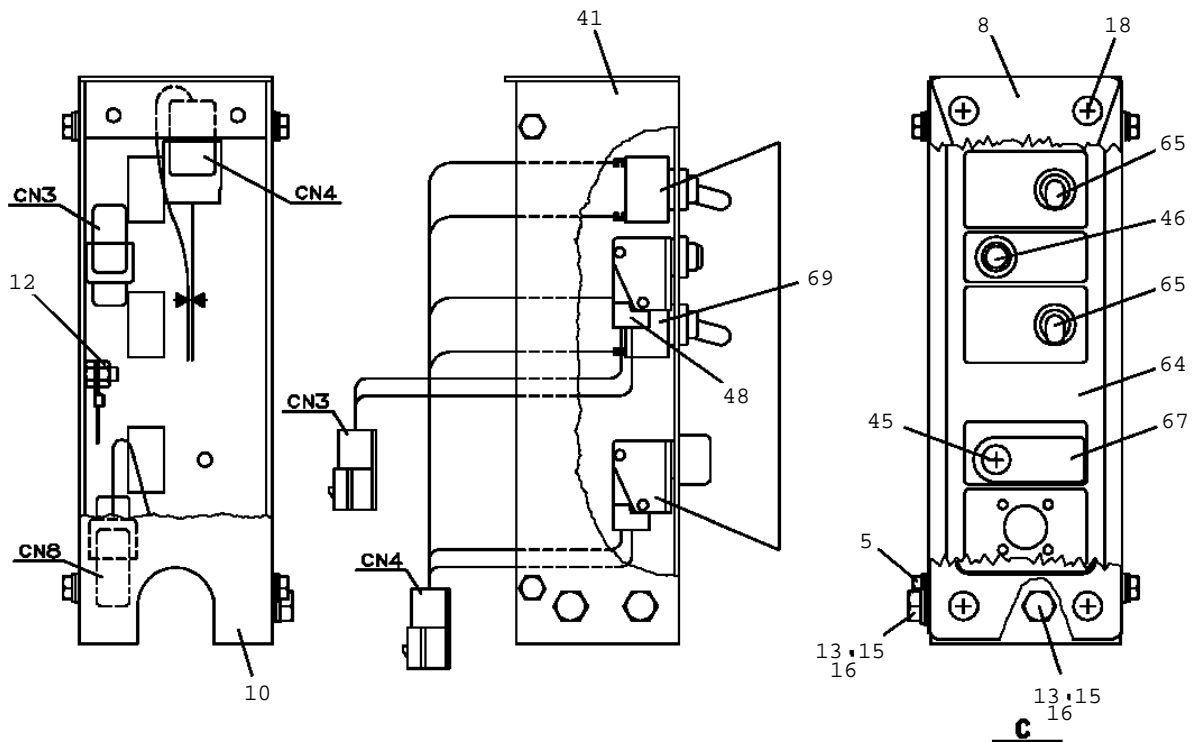
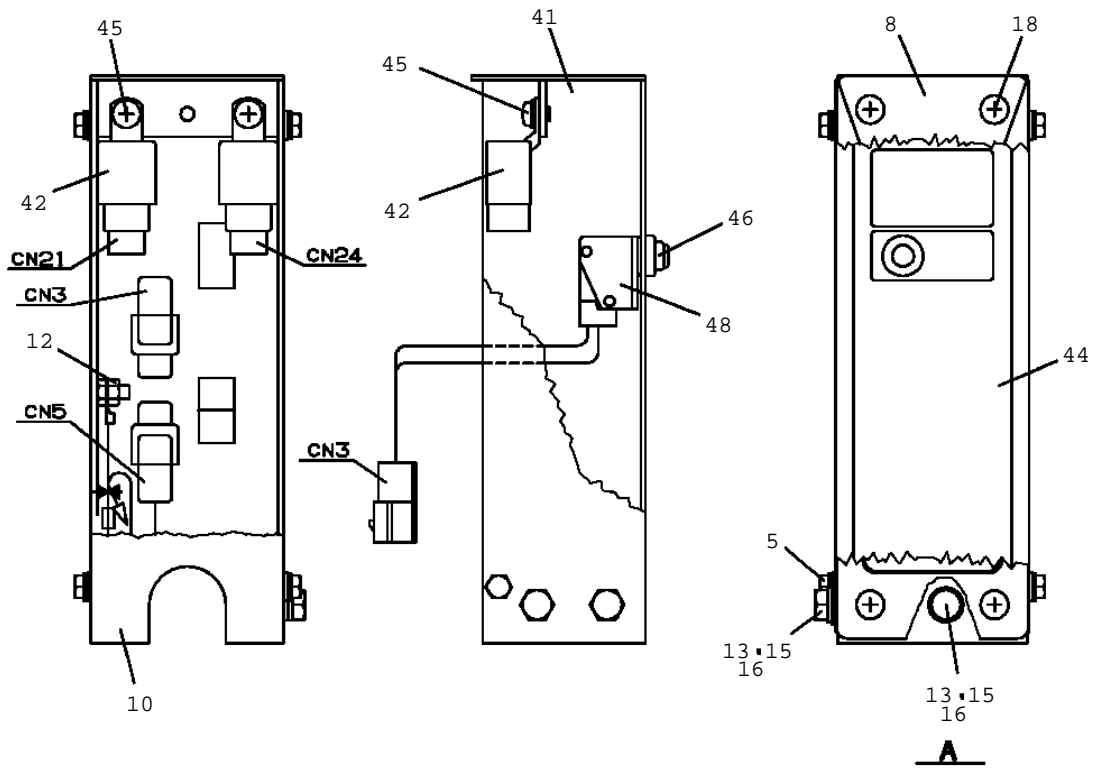
TM-ZF360 41102210360A FRAME/STD,REMOTE-RADIO CONT.,HOOK-IN

Pos No.	Parts No	Parts Name	Qty	Unit	Technical Data	Serial No
1	90101206030	BOLT	4		M6X30	
2	90302040601	WASHER,SPRING	9		6	
3	90303070601	WASHER,PLAIN	5		6	
4	31653221300	COVER	1			
	31653221500	COVER (IP)	1			KA3527
5	90186206010	BOLT,FLANGE	12		M6X10	
	90186206010	BOLT,FLANGE	8		M6X10	KA3527
6	82401601002	CLAMP	8			
7	91810130240	FASTENER	14			
8	31651760500	COVER	2			
10	31651760400	COVER	2			
11	31651760700	ALARM ASSY	1			
12	90201200600	NUT	3		M6	
13	90303070801	WASHER,PLAIN	6		8	
15	90101208014	BOLT	6		M8X14	
16	90302040801	WASHER,SPRING	10		8	
17	91850100802	CLAMP (STUD BOLT MOUNT)	4			
18	80192486014	SCREW,MACHINE (WITH WASHER)	8		M6X14	
19	31473796100	HARNES	1			
20	31651930100	SUPPORT	1			
21	90101208012	BOLT	4		M8X12	
22	31473795200	SUPPORT	1			
23	90101206012	BOLT	4		M6X12	
24	31651760800	PLATE,CAUTION	1			
25	90186306010	BOLT,FLANGE	4		M6X10	KA3527
41	31651761100	PANEL	2			
42	82100002596	RELAY	3			
44	31651761300	PLATE,NAME	1			
45	80192486010	SCREW,MACHINE	4		M6X10	
46	82197600101	CAP (BLACK)	5			
48	31651761600	SWITCH ASSY (PLANTING:NACC)	2			
	31651761400	SWITCH ASSY (GREEN:PANASONIC)	2			
64	31651861100	PLATE,NAME	1			
65	82197518114	CAP (MATSUSHITA/BLACK)	2			
	82197518119	CAP (PLUS ONE MFG./BLACK)	2			
67	31651762400	COVER	1			
69	31651762500	SWITCH ASSY (GREEN:PANASONIC)	1			
80	82100000745	FUSE	1		10A,6.5X30	
81	82100002832	HOLDER,FUSE	1			

TM-ZF360 41102210360A FRAME/STD,REMOTE-RADIO CONT.,HOOK-IN
PN1013066-01 ELEC.ASSY (RADIO CONTROL)



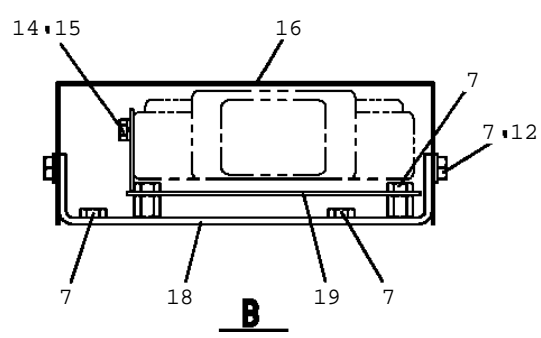
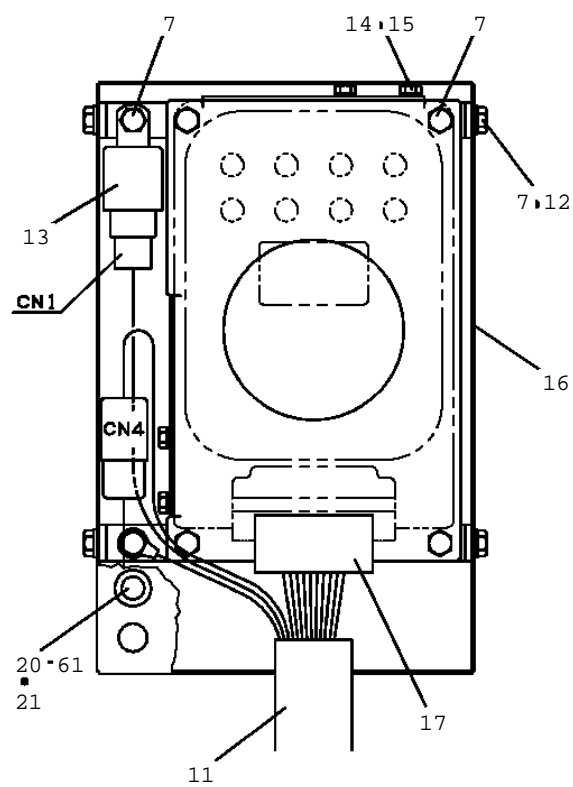
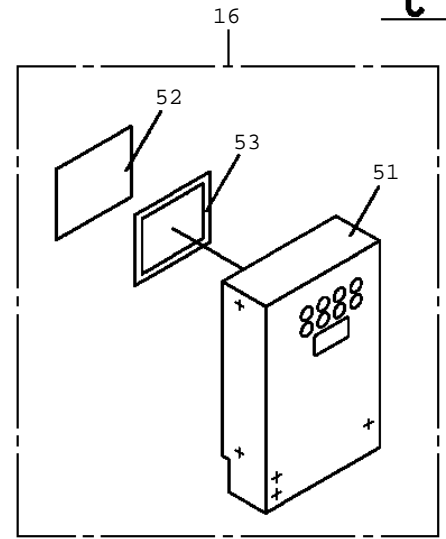
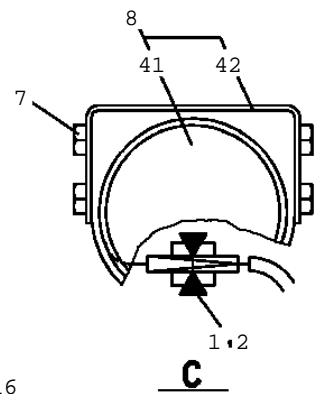
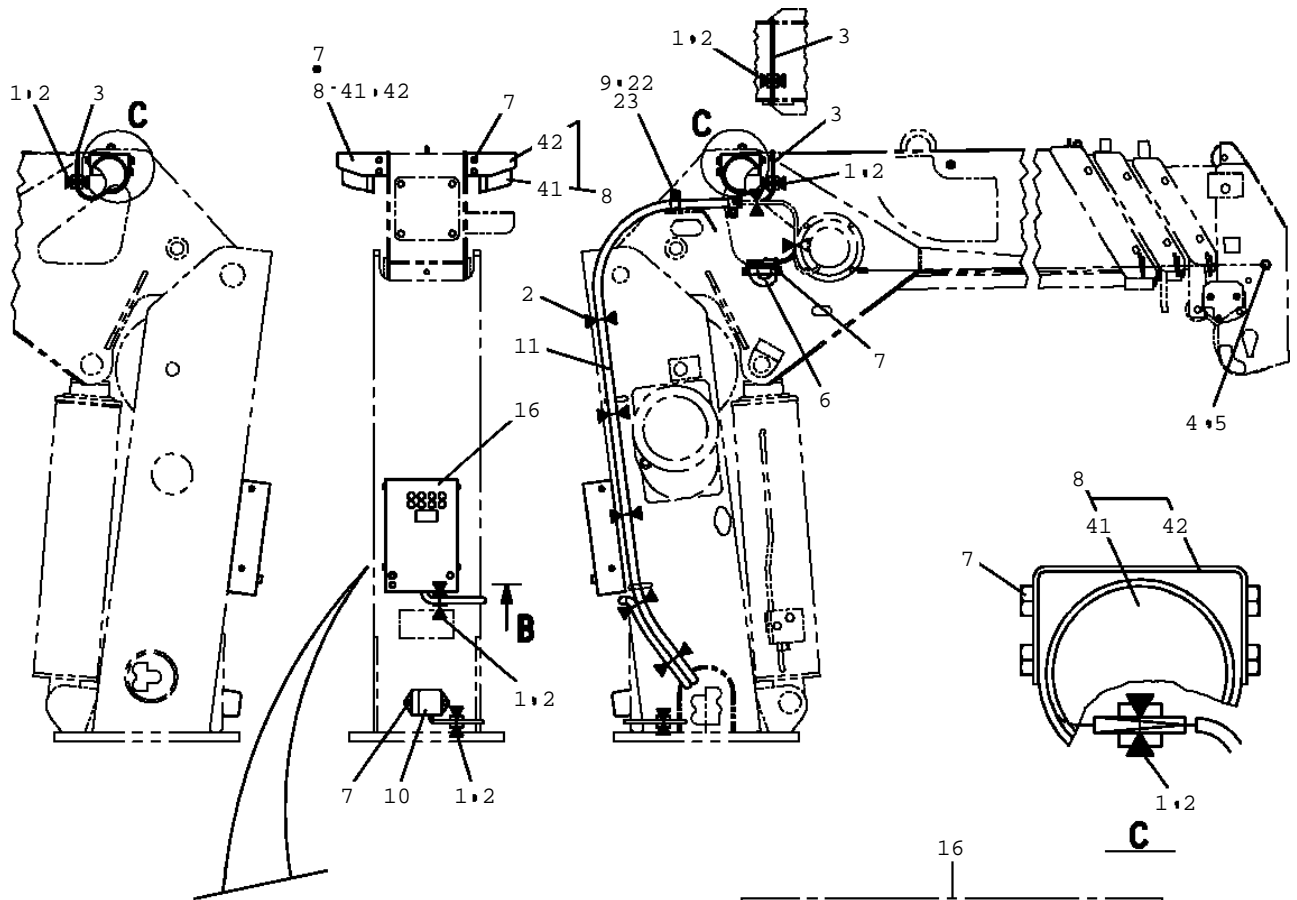
TM-ZF360 41102210360A FRAME/STD,REMOTE-RADIO CONT.,HOOK-IN
 PN1013066-01 ELEC.ASSY (RADIO CONTROL)



TM-ZF360 41102210360A FRAME/STD,REMOTE-RADIO CONT.,HOOK-IN

Pos No.	Parts No	Parts Name	Qty	Unit	Technical Data	Serial No
1	90101206030	BOLT	4		M6X30	
2	90302040601	WASHER,SPRING	9		6	
3	90303070601	WASHER,PLAIN	5		6	
5	90186206010	BOLT,FLANGE	8		M6X10	
6	82401601002	CLAMP	8			
7	91810130240	FASTENER	14			
8	31651760500	COVER	2			
10	31651760400	COVER	2			
11	31651760700	ALARM ASSY	1			
12	90201200600	NUT	3		M6	
13	90303070801	WASHER,PLAIN	6		8	
15	90101208014	BOLT	6		M8X14	
16	90302040801	WASHER,SPRING	10		8	
17	91850100802	CLAMP (STUD BOLT MOUNT)	4			
18	80192486014	SCREW,MACHINE (WITH WASHER)	8		M6X14	
19	31473796100	HARNES	1			
20	31651930100	SUPPORT	1			
21	90101208012	BOLT	4		M8X12	
22	31473795200	SUPPORT	1			
23	90101206012	BOLT	4		M6X12	
24	31651760800	PLATE,CAUTION	1			
25	90186306010	BOLT,FLANGE	4		M6X10	
41	31651761100	PANEL	2			
42	82100002596	RELAY	2			
44	31651691200	PLATE,NAME	1			
45	80192486010	SCREW,MACHINE	3		M6X10	
46	82197600101	CAP (BLACK)	3			
48	31651691300	SWITCH ASSY	2			
64	31651841100	PLATE,NAME	1			
65	82197518114	CAP (MATSUSHITA/BLACK)	2			
	82197518119	CAP (PLUS ONE MFG./BLACK)	2			
67	31651762400	COVER	1			
69	31651762500	SWITCH ASSY (GREEN: PANASONIC)	1			
80	82100000745	FUSE	1		10A,6.5X30	
81	82100002832	HOLDER,FUSE	1			

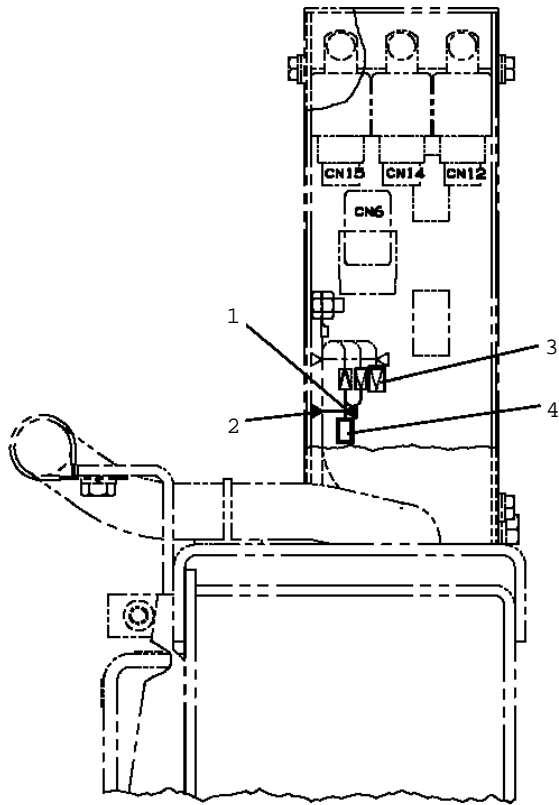
TM-ZF360 41102210360A FRAME/STD,REMOTE-RADIO CONT.,HOOK-IN
 PN1014041-00 ELEC.ASSY



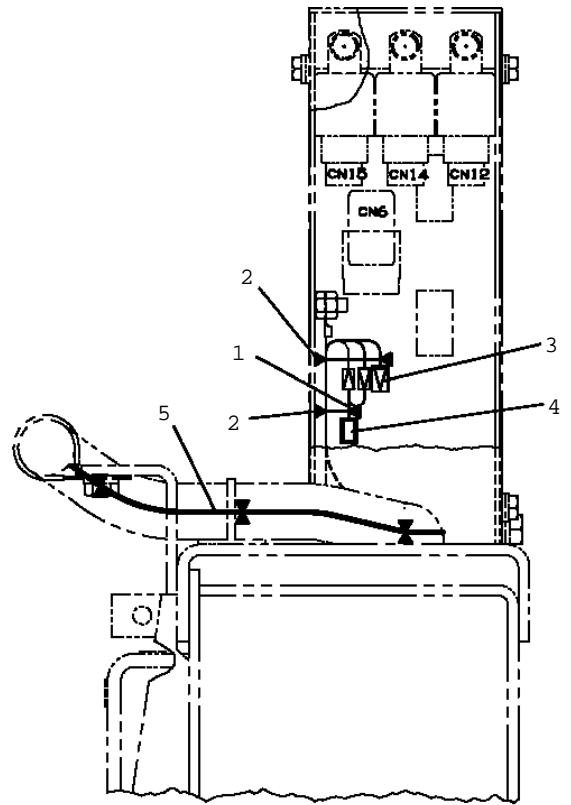
TM-ZF360 41102210360A FRAME/STD,REMOTE-RADIO CONT.,HOOK-IN

Pos No.	Parts No	Parts Name	Qty	Unit	Technical Data	Serial No
1	91850310405	CLAMP (BLACK)	8			
2	91810130250	FASTENER	20			
3	31360201101	HARNESS	1			
4	31360191200	SUPPORT	1			
5	90203201200	NUT	1		M12	
6	36140470000	DETECTOR,BOOM ANGLE	1			
7	90186206010	BOLT,FLANGE	24		M6X10	
8	31360741300	LAMP ASSY	2			
9	82100002014	CLAMP	2		WR20	
10	31652030200	BUZZER ASSY	1			
11	31360191010	COVER	1			
12	90303070601	WASHER,PLAIN	4		6	
13	82100002596	RELAY	1			
14	90101205010	BOLT	4		M5X10	
15	90302040501	WASHER,SPRING	4		5	
16	31361112100	COVER ASSY	1			
17	31361661100	HARNESS	1			
18	31360741600	SUPPORT	2			
19	31360741700	SUPPORT	1			
20	31653303200	SWITCH ASSY (NIHON AUTOMATIC)	1			
21	82197600101	CAP (BLACK)	1			
22	90201200600	NUT	2		M6	
23	90302040601	WASHER,SPRING	2		6	
41	82199444326	LAMP (YELLOW) <24V 12W)	2			
42	31360741310	SUPPORT	2			
51	31361112110	COVER	1			
52	31361112120	PLATE	1			
53	31361112130	SEAL	1			
61	82101940130	SWITCH,PUSH (3PJW106F-021-CC)	1			

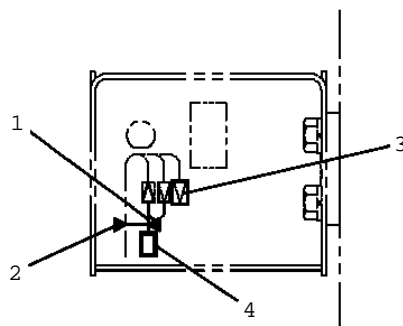
TM-ZF360 41102210360A FRAME/STD,REMOTE-RADIO CONT.,HOOK-IN
 PN1014042-00 ELEC.ASSY (SPARE HARNESS)



ZF230, ZF230W以外の場合



予備端子 (ギボシオス) のない場合

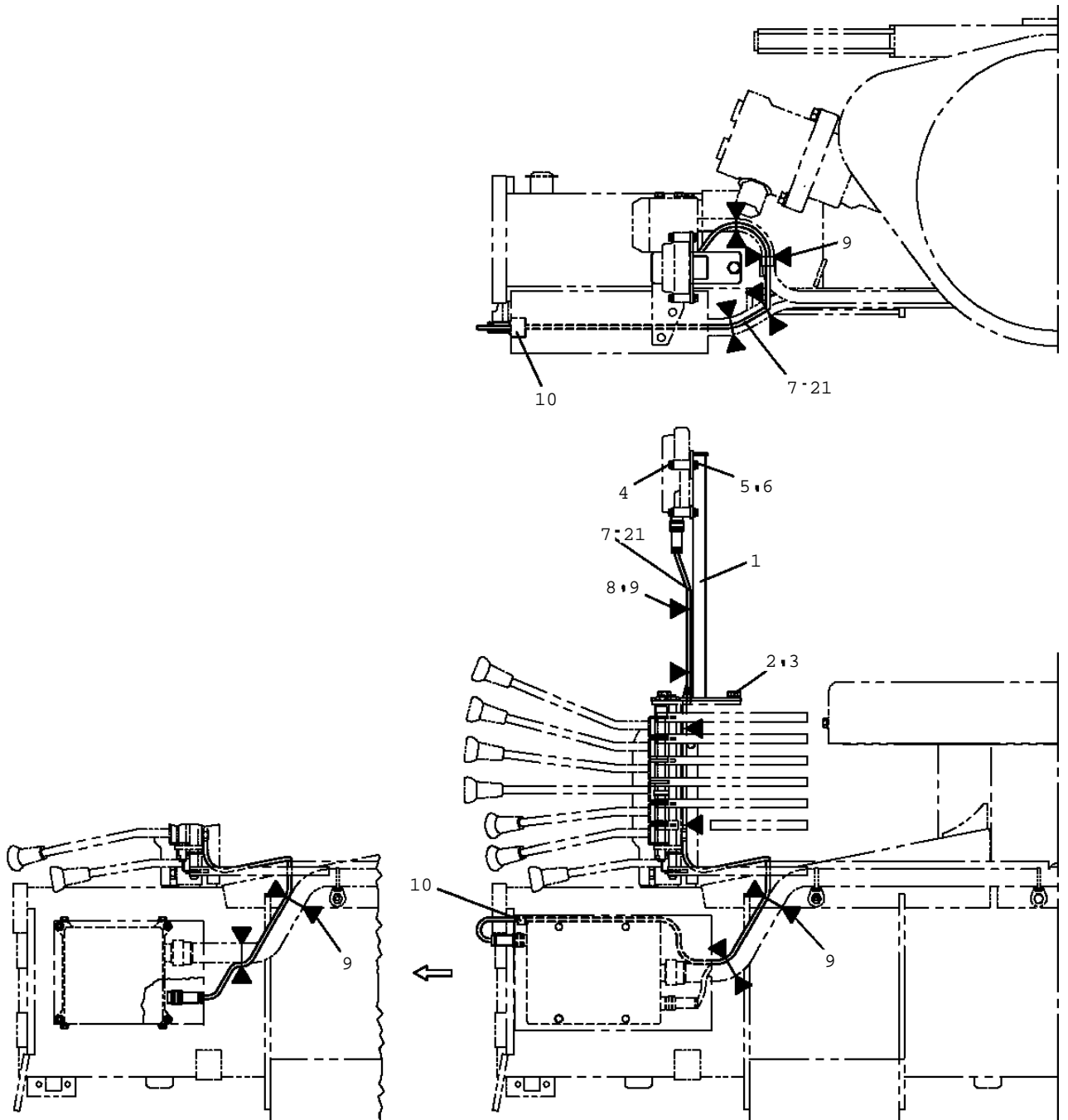


ZF230, ZF230Wの場合

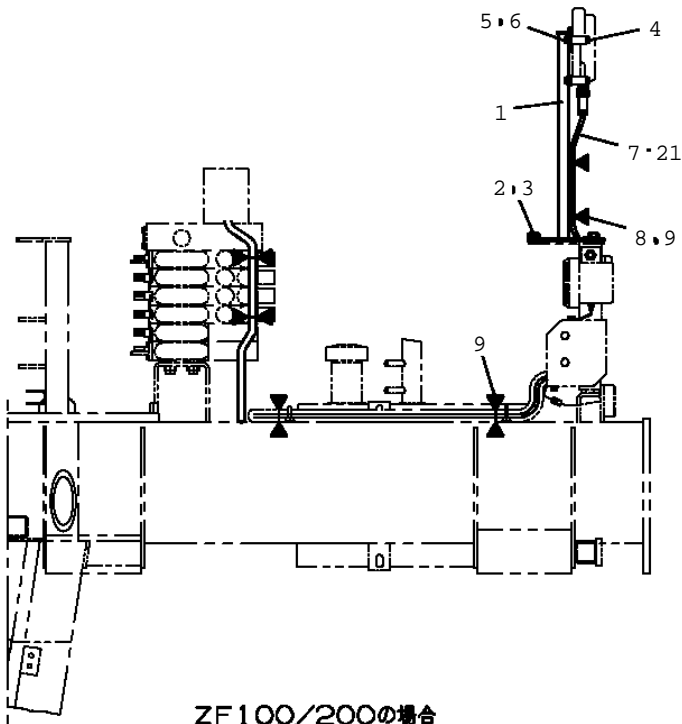
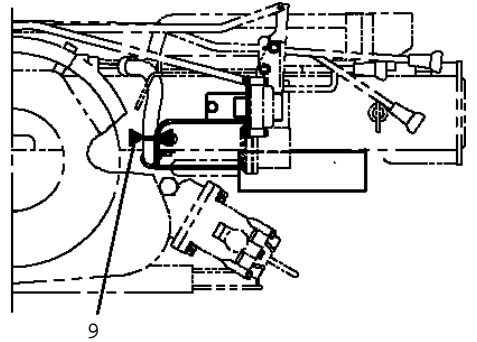
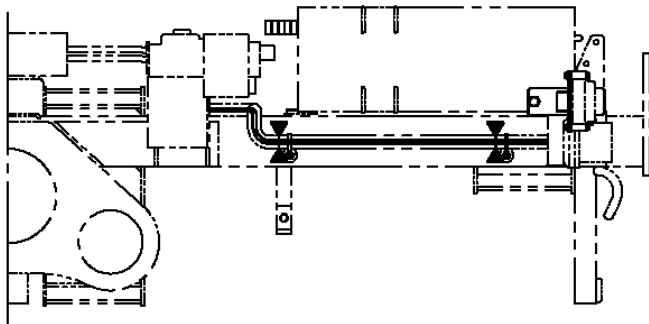
TM-ZF360 41102210360A FRAME/STD,REMOTE-RADIO CONT.,HOOK-IN

Pos No.	Parts No	Parts Name	Qty	Unit	Technical Data	Serial No (Start)	Serial No
1	31361312100	HARNESS	1				
2	91810130240	FASTENER	7				
3	82100002854	CAP	1				
4	82100002855	CAP	1				
5	31361663100	HARNESS	1				

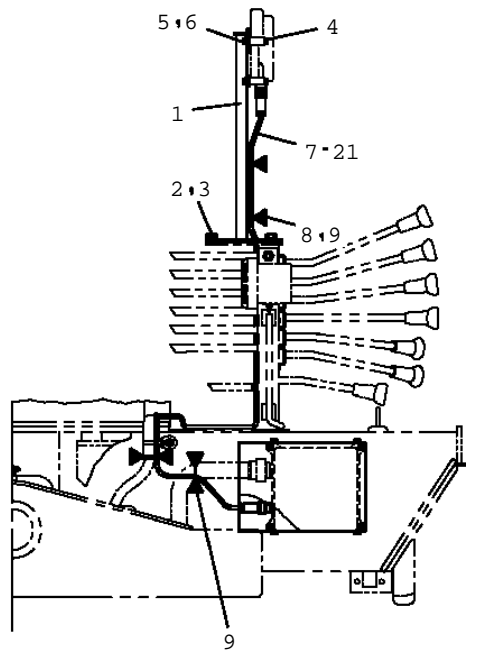
TM-ZF360 41102210360A FRAME/STD,REMOTE-RADIO CONT.,HOOK-IN
PN1014043-01 ELEC.ASSY (ANTENNA)



TM-ZF360 41102210360A FRAME/STD,REMOTE-RADIO CONT.,HOOK-IN
 PN1014043-01 ELEC.ASSY (ANTENNA)



ZF100/200の場合

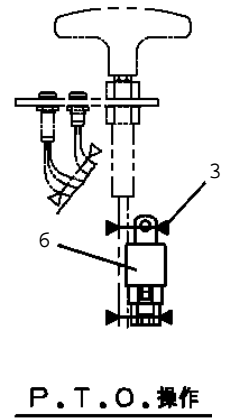
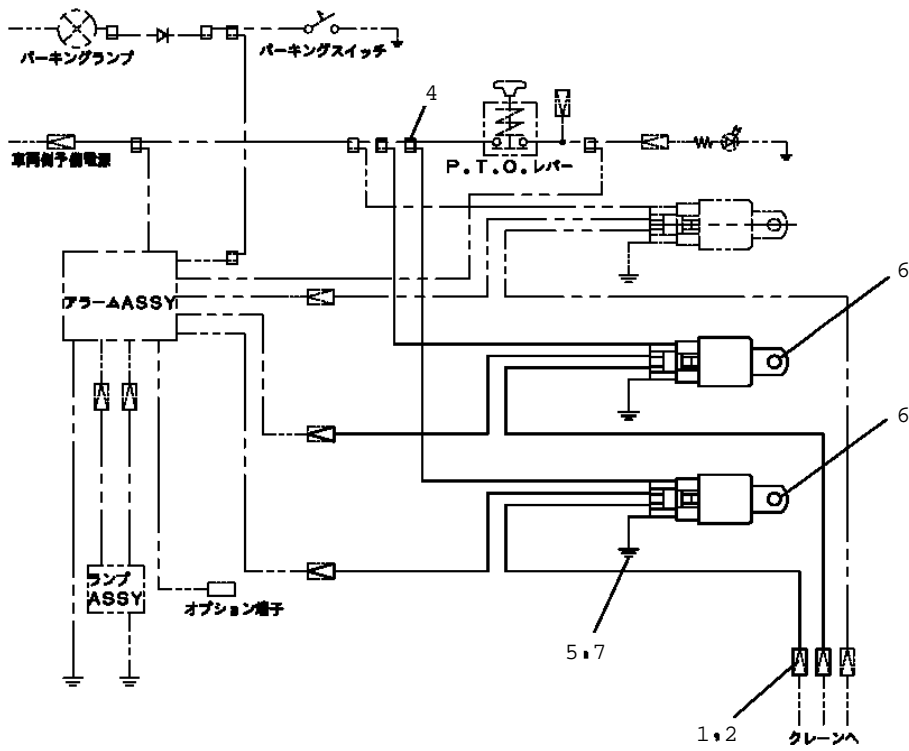
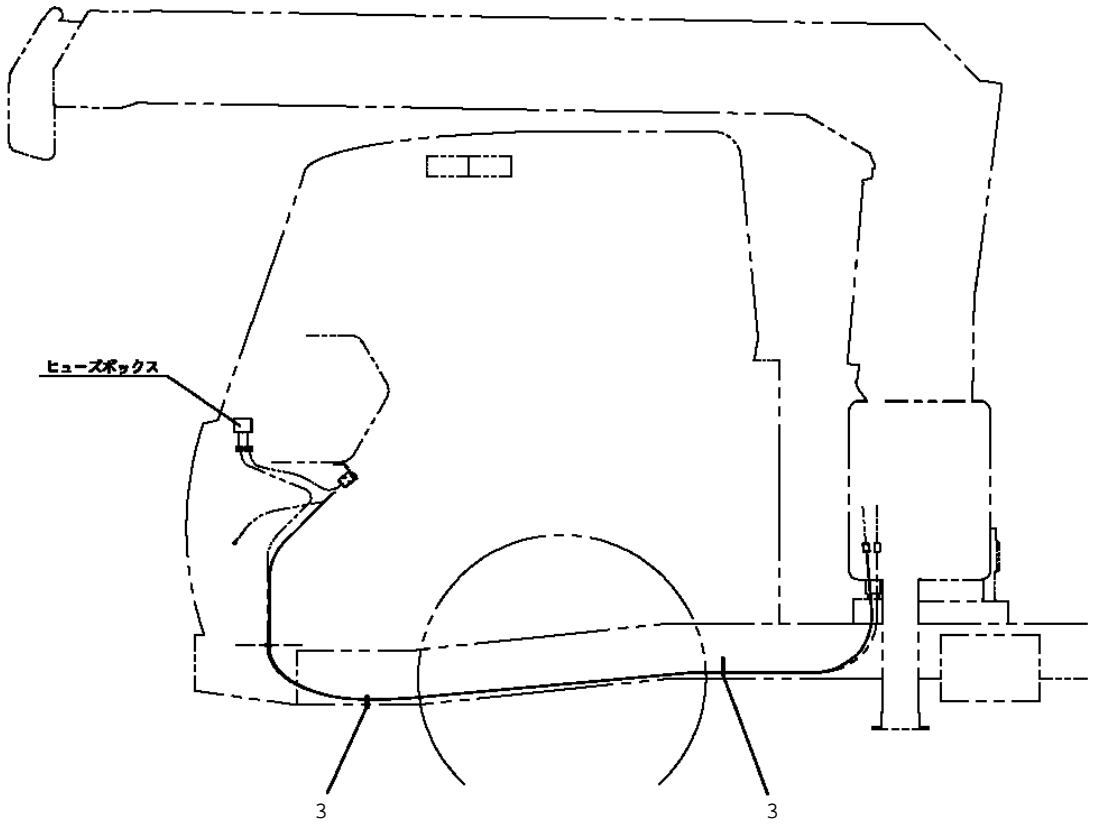


ZF230/230Wの場合

TM-ZF360 41102210360A FRAME/STD,REMOTE-RADIO CONT.,HOOK-IN

Pos No.	Parts No	Parts Name	Qty	Unit	Technical Data	Serial No (Start)	Serial
1	31653110100	SUPPORT	1				
2	90101210014	BOLT	2		M10X14		
3	90302041001	WASHER, SPRING	2		10		
4	90280200600	NUT, FLANGE	4		M6		
5	90101206045	BOLT	4		M6X45		
6	90303070601	WASHER, PLAIN	4		6		
7	31653110200	CABLE ASSY	1		L=2000		
8	91850310305	CLAMP	4				
9	91810130240	FASTENER	8				KA3439
	91810130240	FASTENER	9			KA3440	
10	82401600510	CLAMP	1		10		KA3439
21	82100002385	CONNECTOR	2				

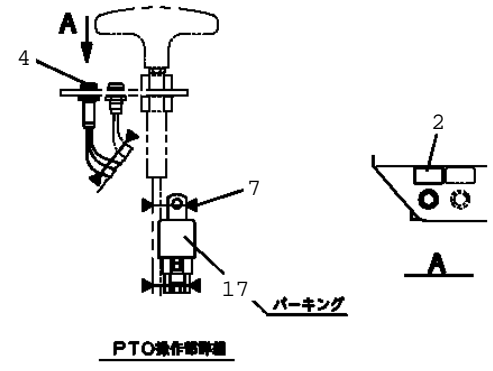
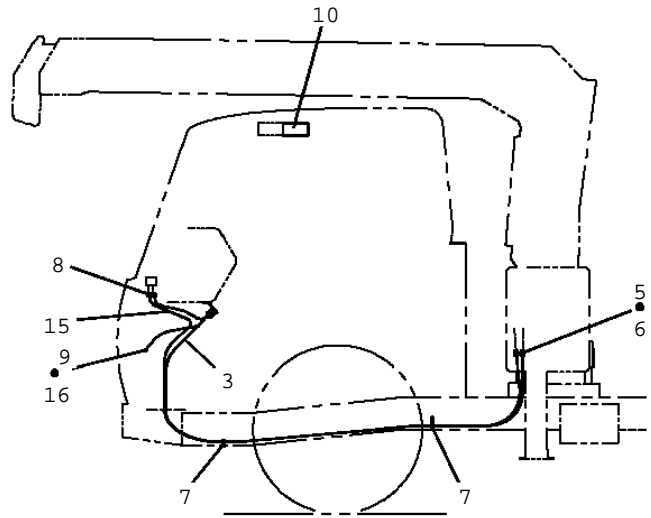
TM-ZF360 41102210360A FRAME/STD,REMOTE-RADIO CONT.,HOOK-IN
 PN1014202-01 ELEC.ASSY (CARRIER)



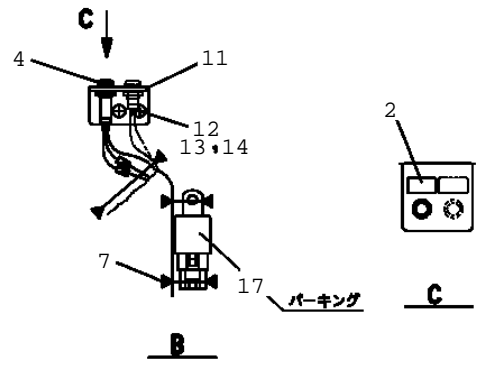
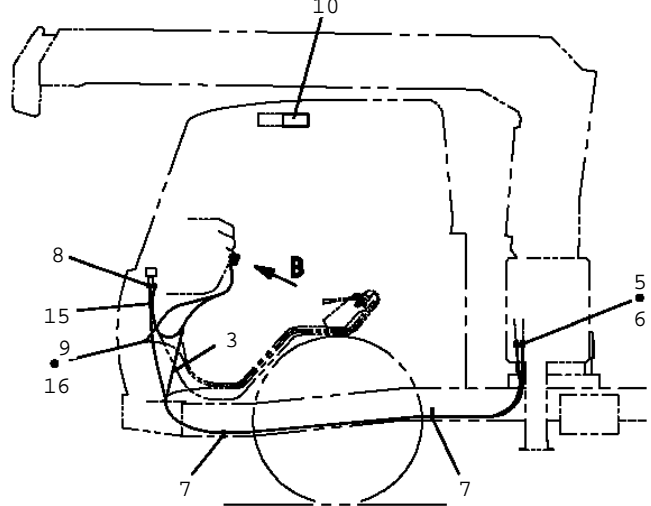
TM-ZF360 41102210360A FRAME/STD,REMOTE-RADIO CONT.,HOOK-IN

Pos No.	Parts No	Parts Name	Qty	Unit	Technical Data	Serial No (Start)	Serial No
1	82100000191	TERMINAL	2				
2	82100000183	INSULATOR	2				
3	91810130240	FASTENER	6				
4	82115001002	CONNECTOR	2				
5	82100001400	TERMINAL	2				
6	31476362600	RELAY ASSY	2				
7	82100001220	INSULATOR	2				
8	82115001005	CONNECTOR	2				

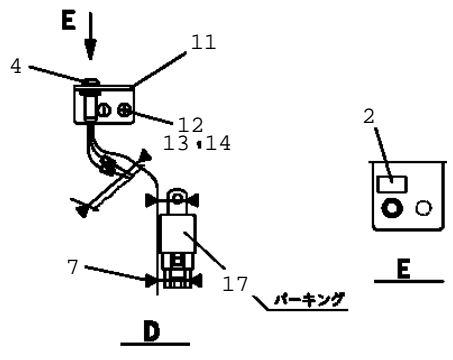
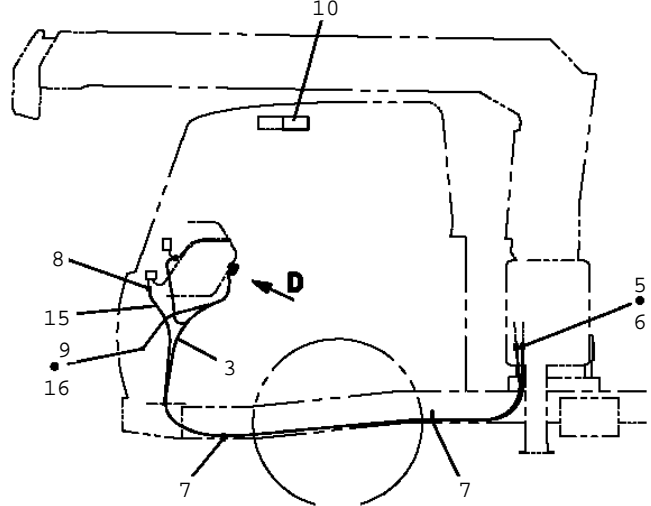
PTOレバーがハンドル横にある場合



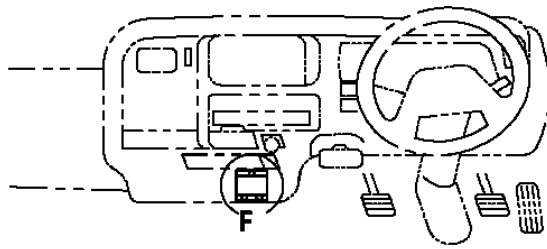
PTOレバーが駆動機にある場合



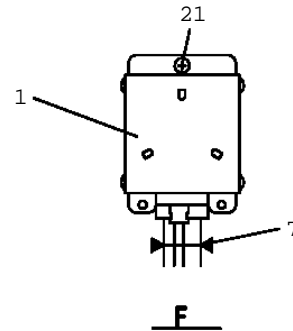
純正PTO付巻の場合



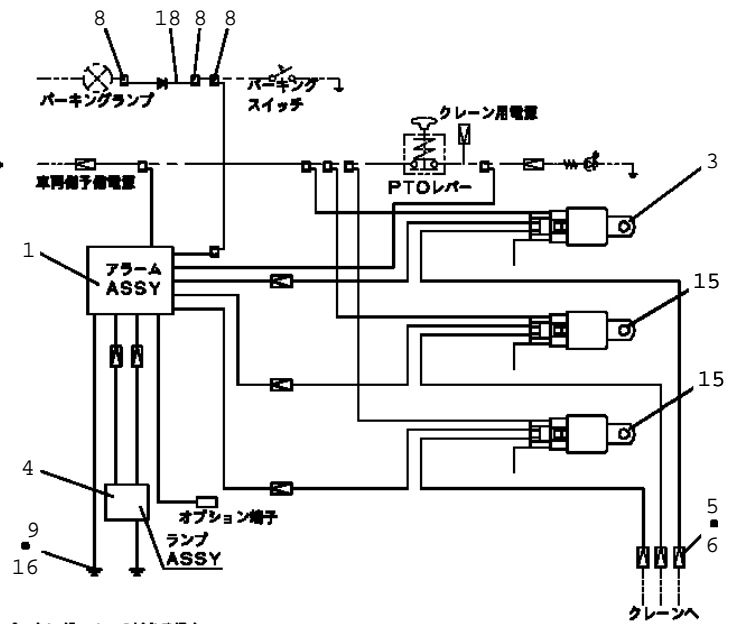
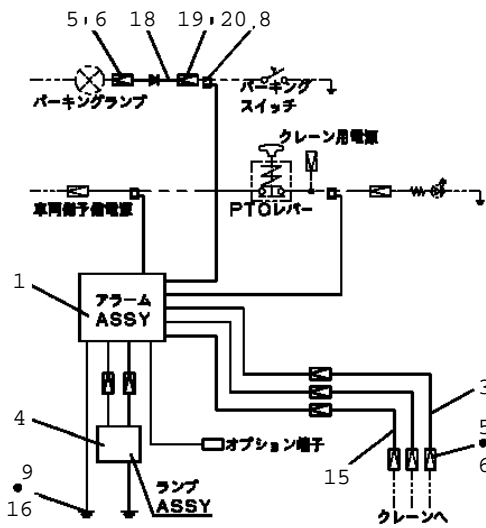
TM-ZF360 41102210360A FRAME/STD,REMOTE-RADIO CONT.,HOOK-IN
PN1014341-00 ELEC.ASSY (CARRIER)



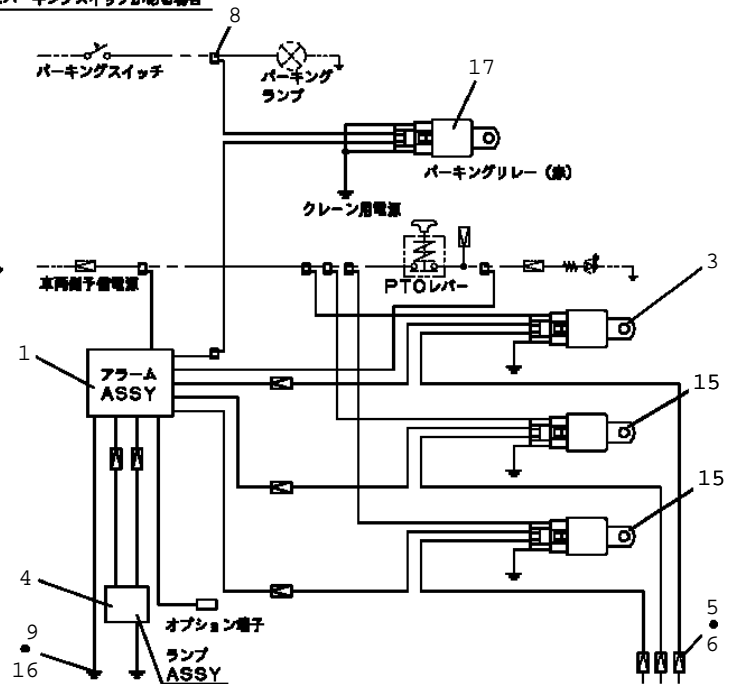
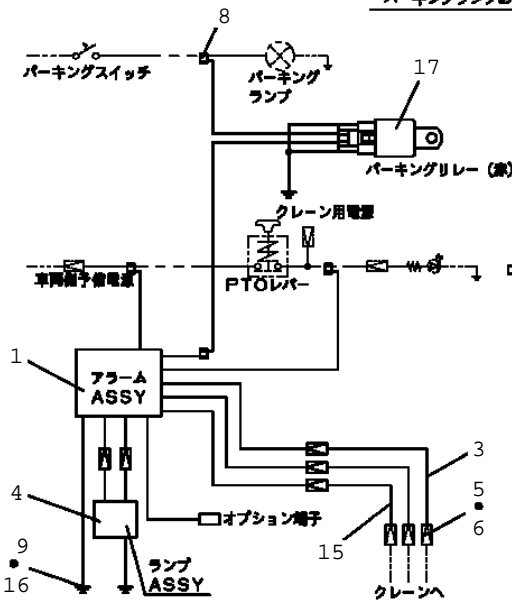
アラームASSY取付



F



パーキングランプの下側にパーキングスイッチがある場合

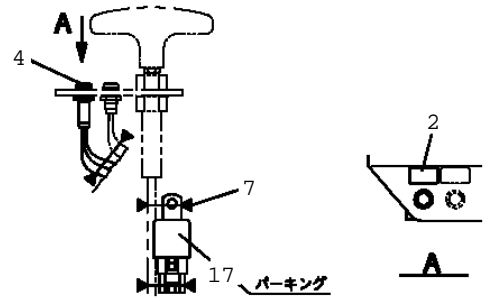
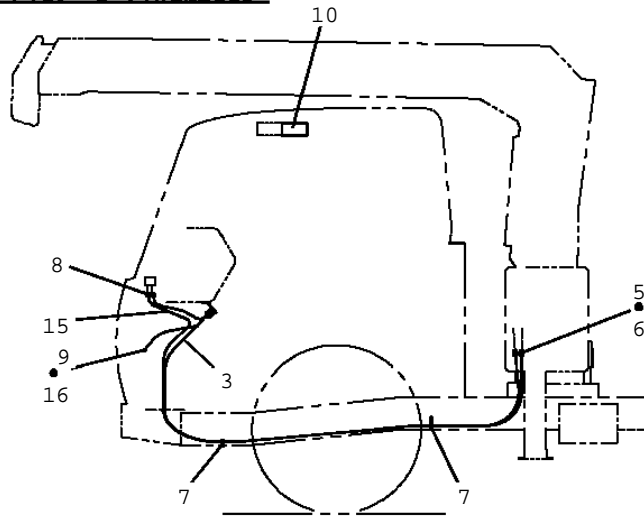


パーキングランプの上側にパーキングスイッチがある場合

TM-ZF360 41102210360A FRAME/STD,REMOTE-RADIO CONT.,HOOK-IN

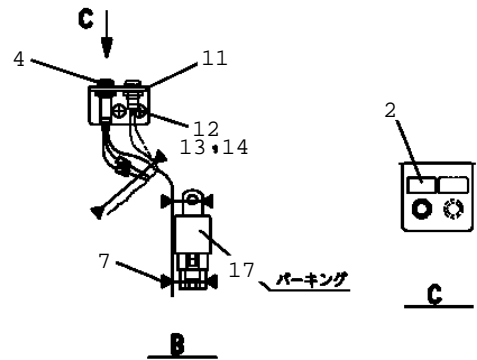
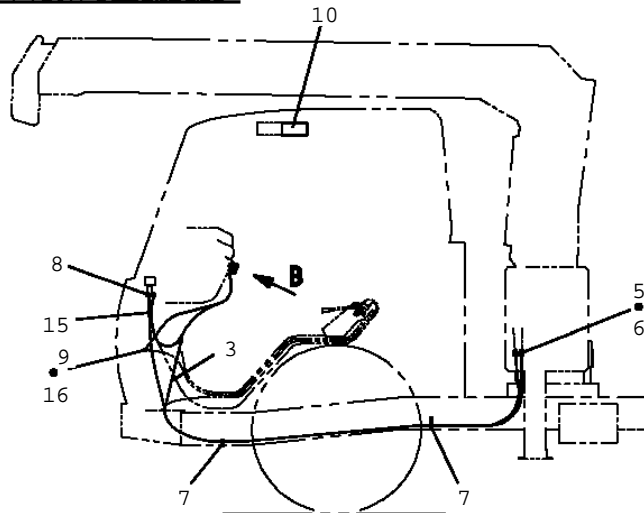
Pos No.	Parts No	Parts Name	Qty	Unit	Technical Data	Serial No (Start)	Seri
1	31476362102	ALARM ASSY	1				KB23
	31476362103	ALARM ASSY	1			KB2390	
2	31475352100	PLATE,NAME	1				
3	31476362200	HARNES (WHITE)	1		L=6000		
4	31380174000	LAMP ASSY	1				
5	82100000191	TERMINAL	4				
6	82100000183	INSULATOR	4				
7	91810130240	FASTENER	10				
8	82115001002	CONNECTOR	4				
9	82100001400	TERMINAL	3				
10	31475982100	PLATE,CAUTION	1				KA33
	31476362700	PLATE,CAUTION	1			KA3397	
11	31380292600	SUPPORT	1				
12	80172305020	SCREW,MACHINE	2		M5X20		
13	90302040501	WASHER,SPRING	2		5		
14	90303070501	WASHER,PLAIN	2		5		
15	31476362400	HARNES (RED)	2		L=6000		
16	82100001220	INSULATOR	3				
17	31476362300	RELAY ASSY	1				
18	31475982400	DIODE ASSY	1				
19	82100000192	TERMINAL	1				
20	82100000182	INSULATOR	1				
21	90928040101	SCREW,TAPPING	3		M4X10		
23	82115001005	CONNECTOR	9				

PTOレバーがハンドルにある場合

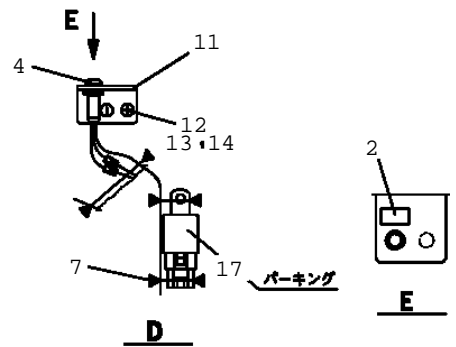
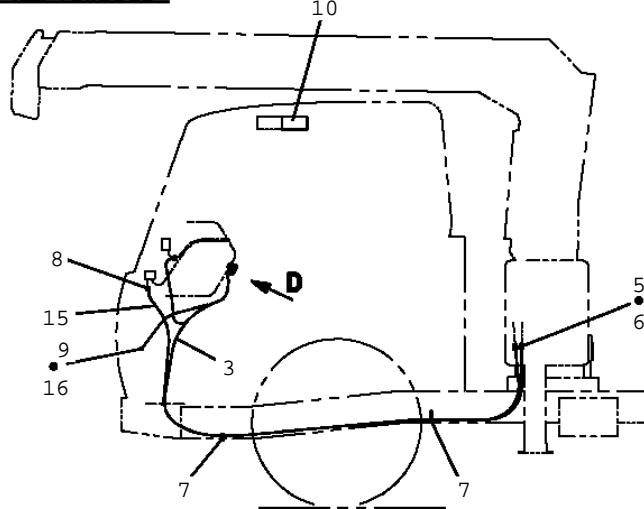


PTO連付取扱書

PTOレバーが車体前にある場合



非PTO付の場合



TM-ZF360 41102210360A FRAME/STD,REMOTE-RADIO CONT.,HOOK-IN

Pos No.	Parts No	Parts Name	Qty	Unit	Technical Data	Serial No (Start)	Seri
1	31476362102	ALARM ASSY	1				KB23
	31476362103	ALARM ASSY	1			KB2390	
2	31475352100	PLATE,NAME	1				
3	31476362200	HARNES (WHITE)	1		L=6000		
4	31380174000	LAMP ASSY	1				
5	82100000191	TERMINAL	2				
6	82100000183	INSULATOR	2				
7	91810130240	FASTENER	10				
8	82115001002	CONNECTOR	4				
9	82100001400	TERMINAL	5				
10	31475982100	PLATE,CAUTION	1				EP08
	31476362700	PLATE,CAUTION	1			EP0876	
11	31380292600	SUPPORT	1				
12	80172305020	SCREW,MACHINE	2		M5X20		
13	90302040501	WASHER,SPRING	2		5		
14	90303070501	WASHER,PLAIN	2		5		
15	31477472100	HARNES (RED)	2		L=1000		
16	82100001220	INSULATOR	5				
17	31476362300	RELAY ASSY	1				
18	31475982400	DIODE ASSY	1				
19	82100000192	TERMINAL	1				
20	82100000182	INSULATOR	1				
21	90928040101	SCREW,TAPPING	3		M4X10		
23	82115001005	CONNECTOR	7				

TM-ZF360 41102210360A FRAME/STD,REMOTE-RADIO CONT.,HOOK-IN
PN1080213-00 LAMP (MOUNT,BOOM/24V-45W)

1	ハイゼンASSY ELEC.ASSY (LOWER)
2	ハイゼンASSY ELEC.ASSY (UPPER)

TM-ZF360 41102210360A FRAME/STD,REMOTE-RADIO CONT.,HOOK-IN

Pos No.	Parts No	Parts Name	Qty	Unit	Technical Data	Serial No
1	(*****)	ELEC.ASSY (LOWER,LAMP)	1			
2	(*****)	ELEC.ASSY (UPPER,LAMP/BOOM)	1			

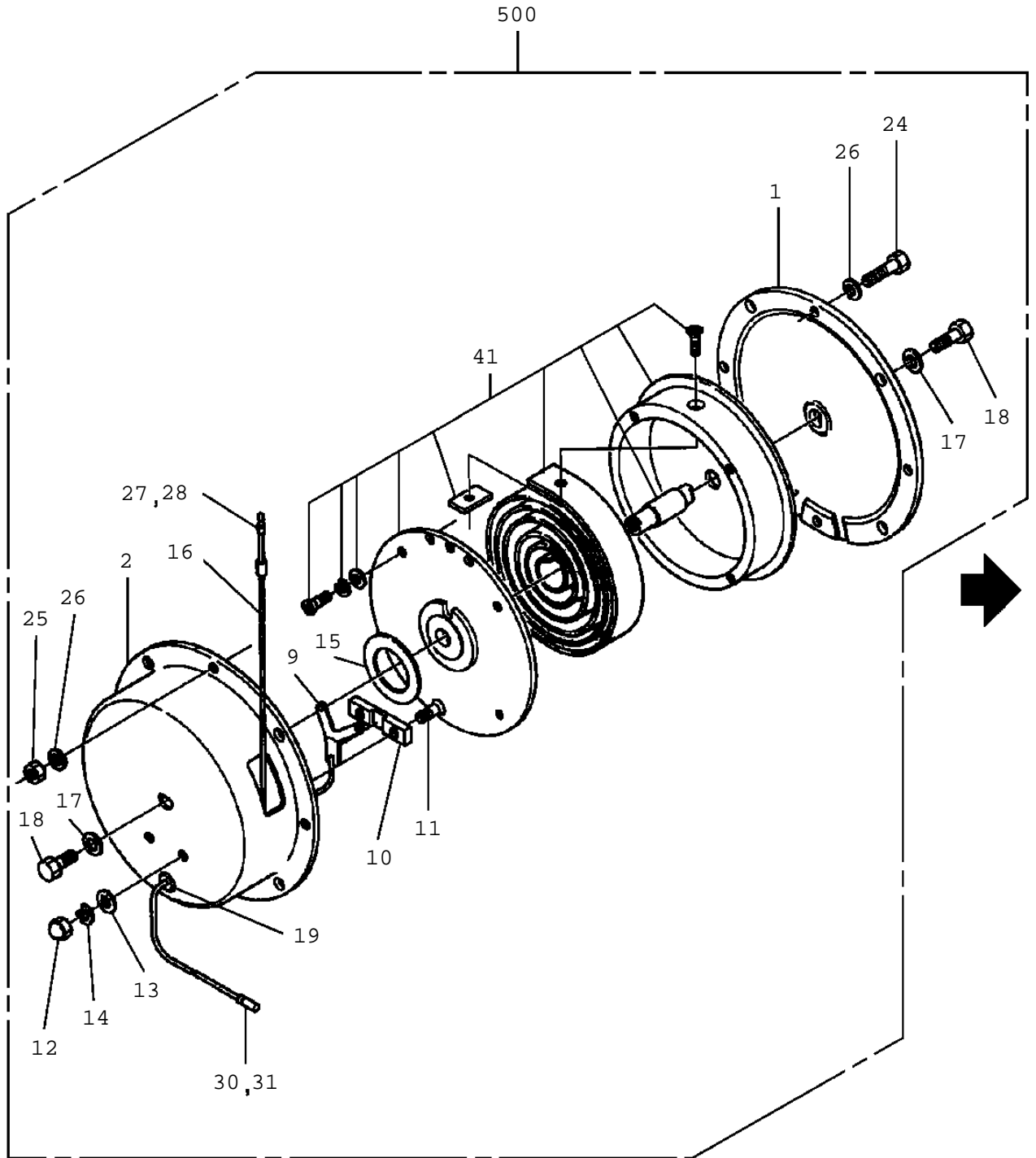
TM-ZF360 41102210360A FRAME/STD,REMOTE-RADIO CONT.,HOOK-IN
PN1080214-00 LAMP (MOUNT,POST/24V-60W)

1	ハイゼンASSY ELEC.ASSY (LOWER)
2	ハイゼンASSY ELEC.ASSY (UPPER)

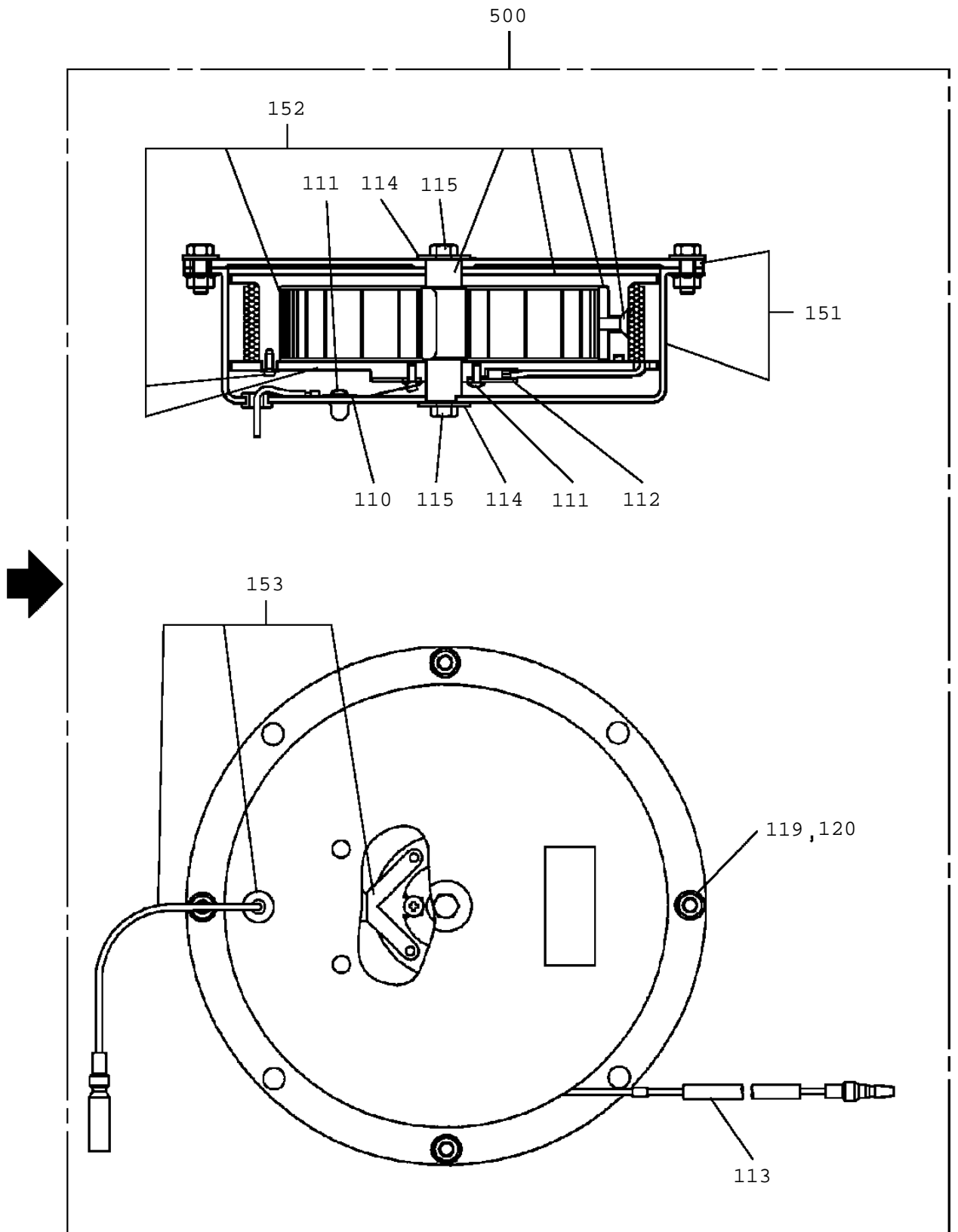
TM-ZF360 41102210360A FRAME/STD,REMOTE-RADIO CONT.,HOOK-IN

Pos No.	Parts No	Parts Name	Qty	Unit	Technical Data	Serial No
1	(*****)	ELEC.ASSY (LOWER,LAMP)	1			
2	(*****)	ELEC.ASSY (UPPER,LAMP/POST)	1			

TM-ZF360 41102210360A FRAME/STD,REMOTE-RADIO CONT.,HOOK-IN
PN1350004-01 REEL,CORD

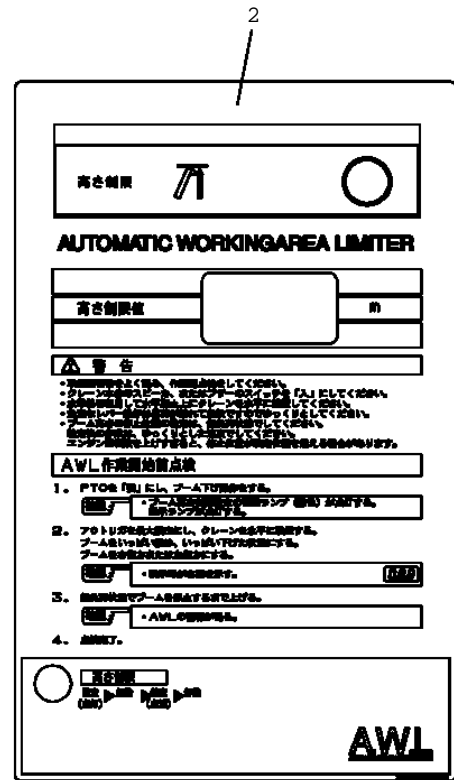
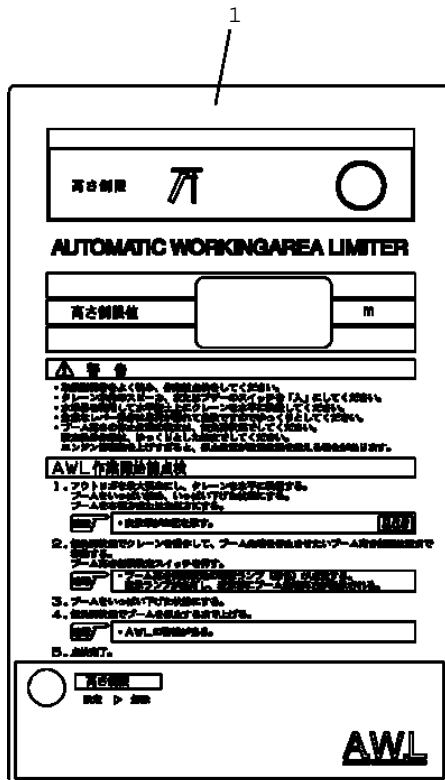
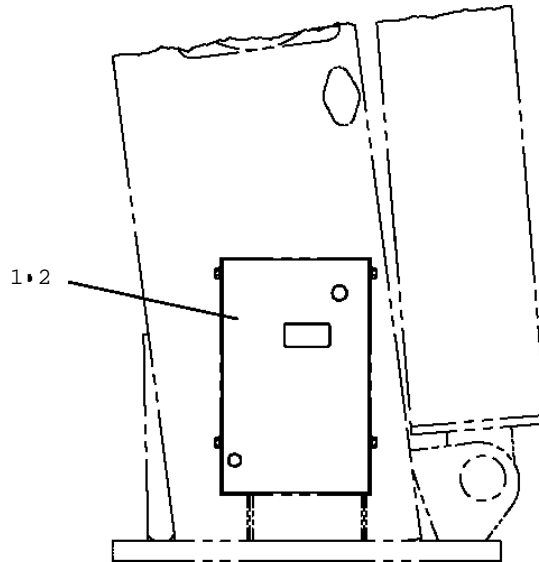


TM-ZF360 41102210360A FRAME/STD,REMOTE-RADIO CONT.,HOOK-IN
PN1350004-01 REEL,CORD



TM-ZF360 41102210360A FRAME/STD,REMOTE-RADIO CONT.,HOOK-IN

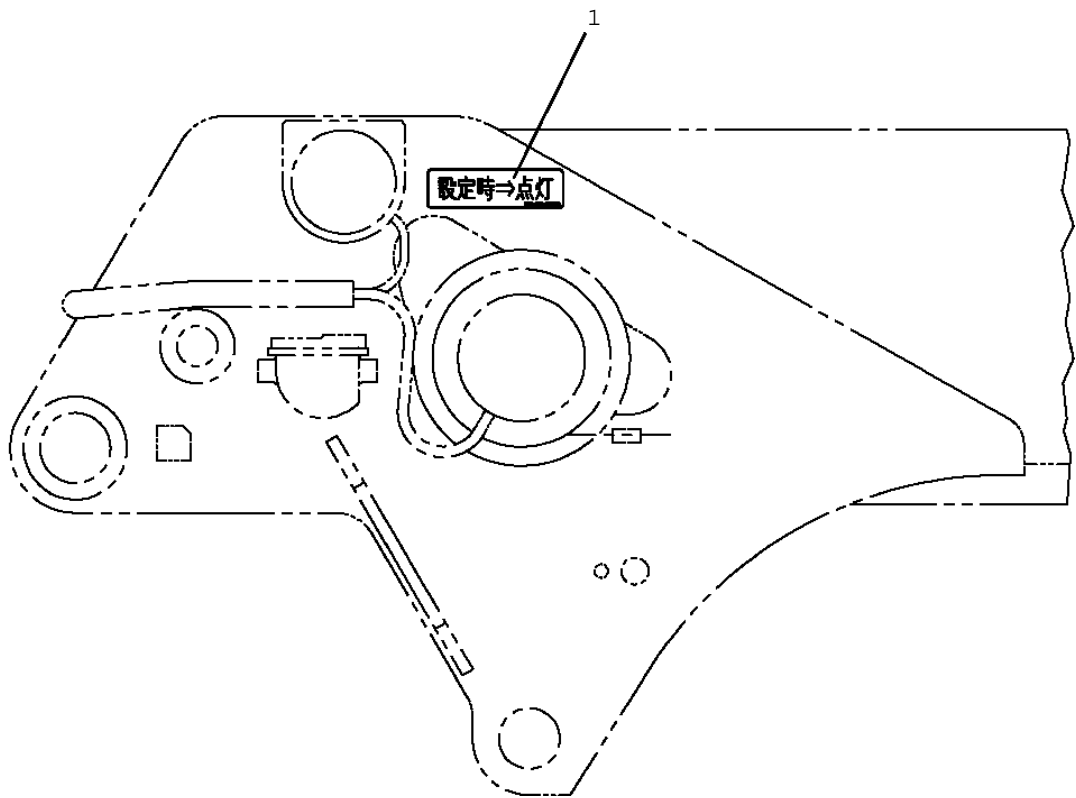
Pos No.	Parts No	Parts Name	Qty	Unit	Technical Data	Serial No (Start)	Serial
1	31370255010	PLATE	1				
2	31370255020	CASE	1				
9	31370255080	BRUSH	1				
10	31370255090	PLATE	1				
11	80175104012	SCREW, MACHINE	2		M4X12		
12	90240200400	NUT, CAP	2		M4		
13	90303100401	WASHER, PLAIN	2		4		
14	90302040401	WASHER, SPRING	2		4		
15	31370255100	RING, SLIP	1				
16	82100000080	CORD (1-LINE)	14	M			
17	31370255110	WASHER	2				
18	90102205008	BOLT	2		M5X8		
19	31370255120	GROMMET	1				
24	90102205012	BOLT	4		M5X12		
25	90201200500	NUT	4		M5		
26	90303100501	WASHER, PLAIN	8		5		
27	82100000192	TERMINAL	1				
28	82100000182	INSULATOR	1				
30	82100000191	TERMINAL	1				
31	82100000183	INSULATOR	1				
41	36160265010	SPRING ASSY	1				
500	36160670000	REEL, CORD	1				



TM-ZF360 41102210360A FRAME/STD,REMOTE-RADIO CONT.,HOOK-IN

Pos No.	Parts No	Parts Name	Qty	Unit	Technical Data	Serial No (Start)	Serial
1	31502232100	PLATE,CAUTION	1				
2	31502232200	PLATE,CAUTION	1				

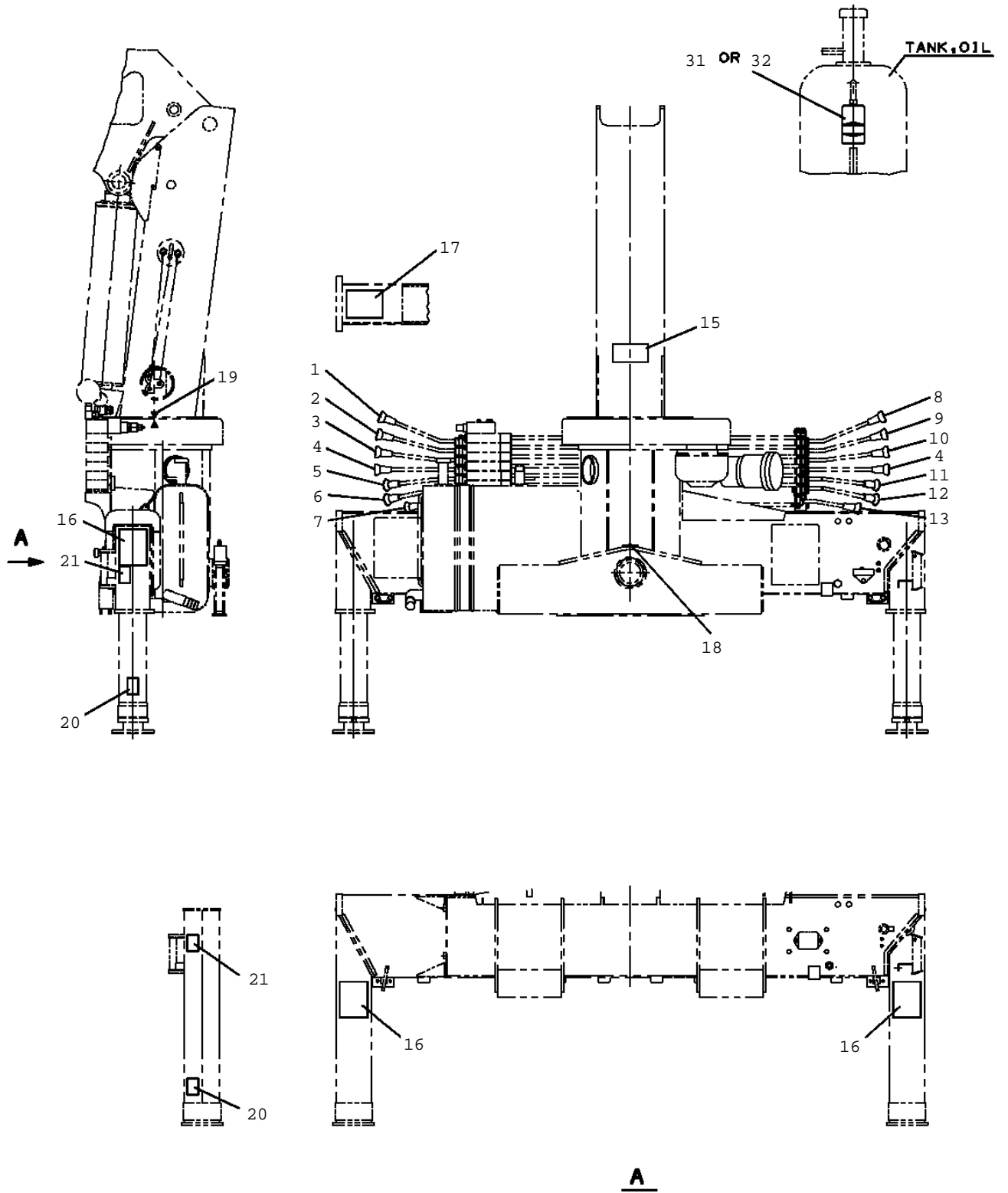
TM-ZF360 41102210360A FRAME/STD,REMOTE-RADIO CONT.,HOOK-IN
PN5010239-00 NAME PLATE ASSY



TM-ZF360 41102210360A FRAME/STD,REMOTE-RADIO CONT.,HOOK-IN

Pos No.	Parts No	Parts Name	Qty	Unit	Technical Data	Serial No (Start)	Serial No
1	37002230910	PLATE,NAME	2				

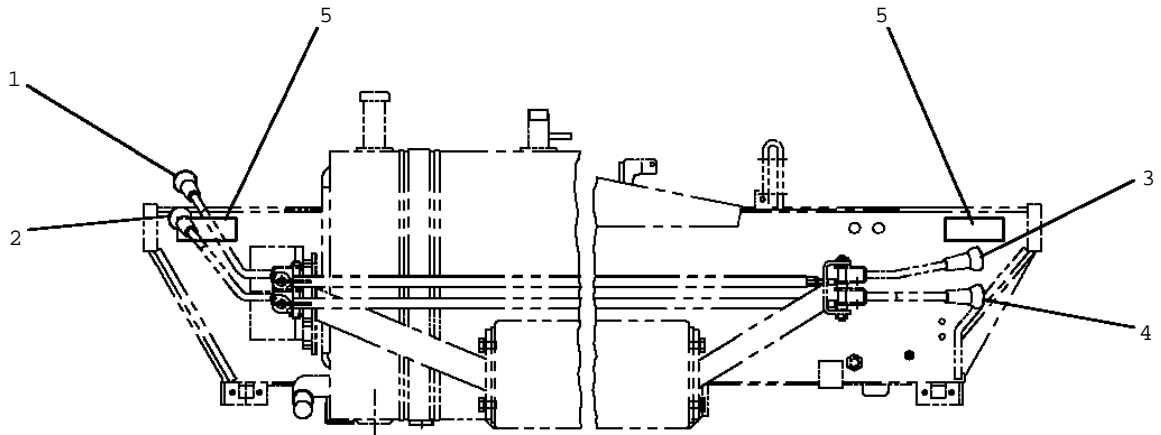
TM-ZF360 41102210360A FRAME/STD,REMOTE-RADIO CONT.,HOOK-IN
PO1012044-02 PLATE ASSY,NAME (JAPANESE)



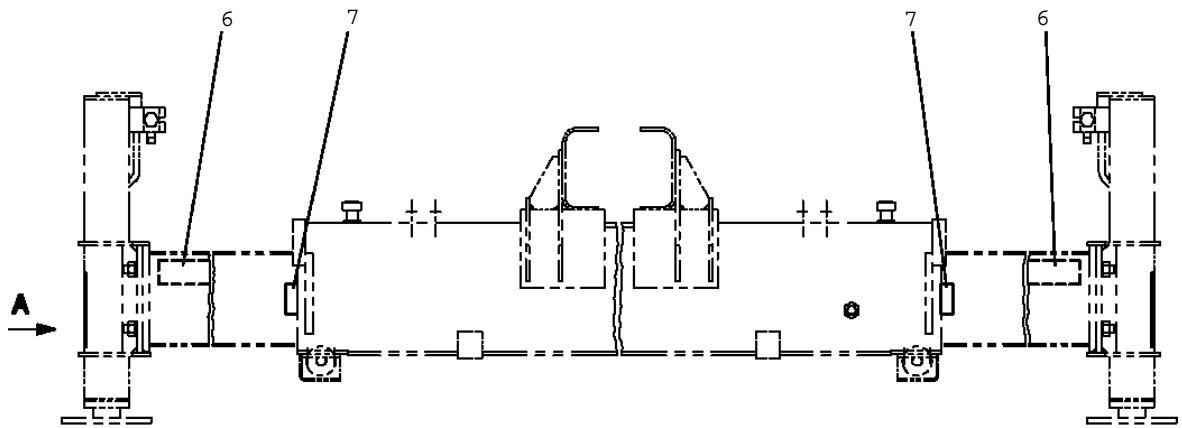
TM-ZF360 41102210360A FRAME/STD,REMOTE-RADIO CONT.,HOOK-IN

Pos No.	Parts No	Parts Name	Qty	Unit	Technical Data	Serial No (
1	37002213050	PLATE,NAME (TELESCOPING)	1			
2	37002213060	PLATE,NAME (WINCH)	1			
3	37002213070	PLATE,NAME (ELEVATING)	1			
4	37002213080	PLATE,NAME (SWING)	2			
5	37002213090	PLATE,NAME (JACK)	1			
6	37002213100	PLATE,NAME (JACK)	1			
7	37002213110	PLATE,NAME	1			
8	37002213120	PLATE,NAME (TELESCOPING)	1			
9	37002213130	PLATE,NAME (WINCH)	1			
10	37002213140	PLATE,NAME (ELEVATING)	1			
11	37002213150	PLATE,NAME (JACK)	1			
12	37002213160	PLATE,NAME (JACK)	1			
13	37002213170	PLATE,NAME	1			
15	90451700100	SCREW,TAPPING	4		M4X6.4	
16	31394270230	PLATE,CAUTION	2			
17	31395220230	PLATE,CAUTION	2			
18	37002206490	PLATE,NAME (GREASE)	5			
19	37002200320	PLATE,NAME	2			
20	31395220260	PLATE,CAUTION	2			
21	31395220250	PLATE,CAUTION	2			
31	37002213190	PLATE,NAME (LEVEL,ISO VG46)	1			
32	37002213740	PLATE,NAME (LEVEL,ISO VG32)	1			

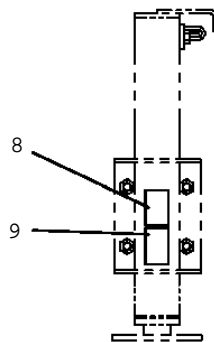
TM-ZF360 41102210360A FRAME/STD,REMOTE-RADIO CONT.,HOOK-IN
PO1012076-00 PLATE ASSY,NAME (OUTRIGGER,REAR)



SEEN FROM BACK OF CRANE MAIN BODY AND VEHICLE



SEEN FROM BACK OF REAR JACK AND VEHICLE

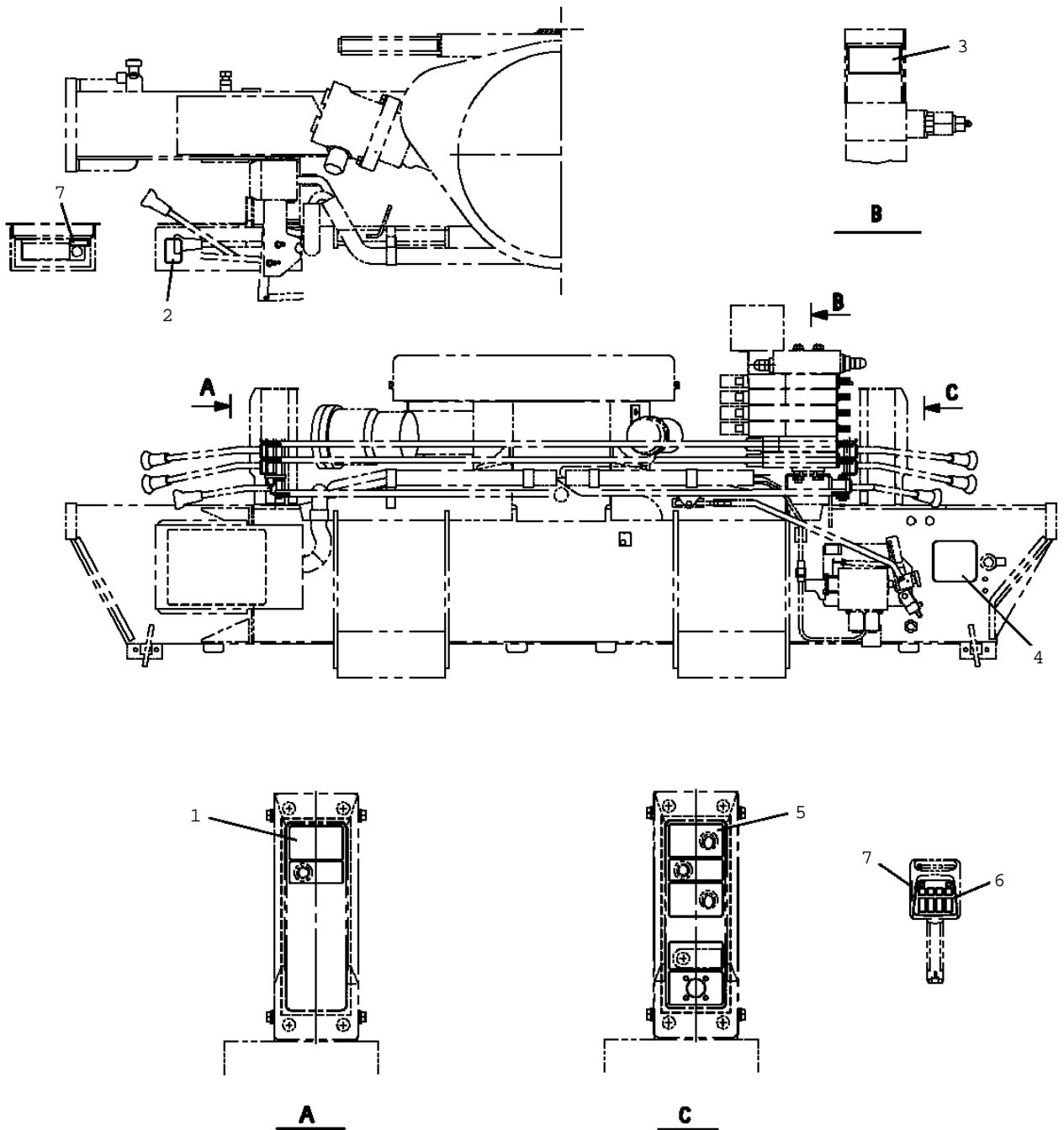


A

TM-ZF360 41102210360A FRAME/STD,REMOTE-RADIO CONT.,HOOK-IN

Pos No.	Parts No	Parts Name	Qty	Unit	Technical Data	Serial No
1	37002213340	PLATE,NAME (TELESCOPING REAR)	1			
2	37002213350	PLATE,NAME (TELESCOPING)	1			
3	37002213360	PLATE,NAME	1			
4	37002213370	PLATE,NAME	1			
5	31394490500	PLATE,CAUTION	2			
6	31393180100	REFLECTOR (RED)	2			
7	31611300500	PLATE,NAME (WHITE)	4			
8	31395220250	PLATE,CAUTION	2			
9	31395220260	PLATE,CAUTION	2			

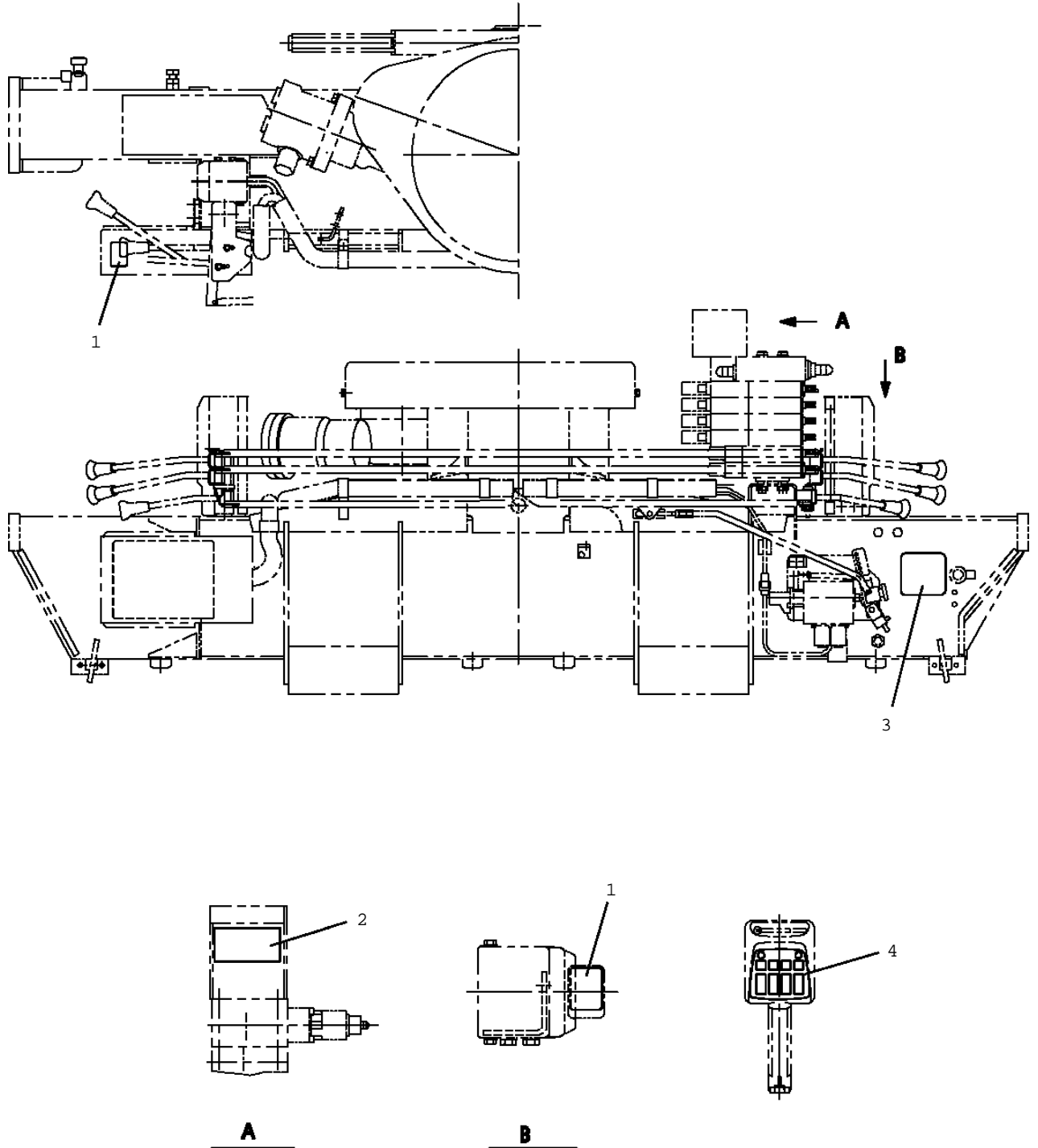
TM-ZF360 41102210360A FRAME/STD,REMOTE-RADIO CONT.,HOOK-IN
PO1012146-00 PLATE ASSY,NAME (RADIO CONTROL C-TYPE)



TM-ZF360 41102210360A FRAME/STD,REMOTE-RADIO CONT.,HOOK-IN

Pos No.	Parts No	Parts Name	Qty	Unit	Technical Data	Seri
1	31394580610	PLATE,NAME	1			
2	31394580620	PLATE,CAUTION (DO NOT FAIL TO CAP)	1			
3	31394580630	PLATE,NAME (OPERAT OF UNLOAD)	1			
4	31394580640	PLATE,CAUTION (ACCELERATOR ADJUST)	1			
5	31394580650	PLATE,NAME	1			
6	31394580660	PLATE,NAME	1			
7	31394580670	PLATE,NAME	2			

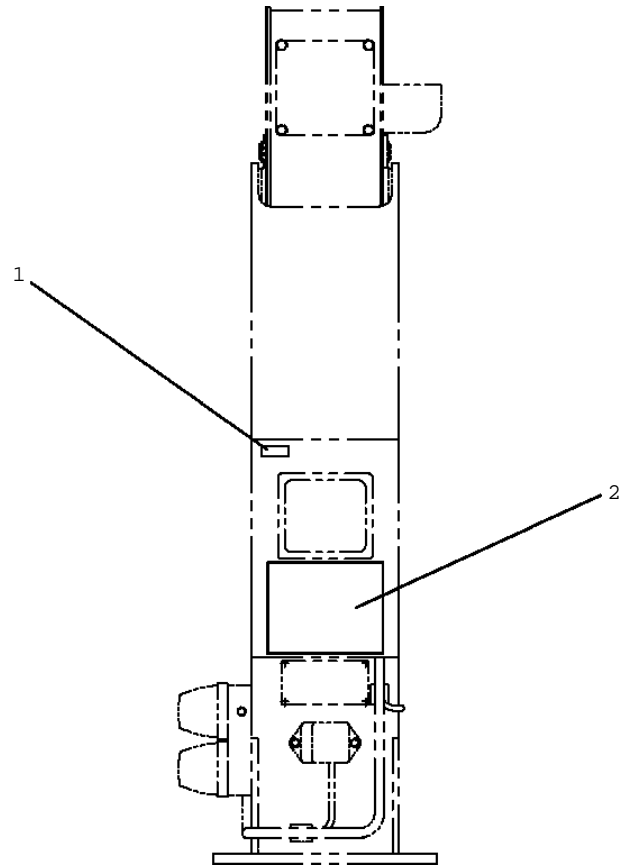
TM-ZF360 41102210360A FRAME/STD,REMOTE-RADIO CONT.,HOOK-IN
PO1012186-00 PLATE ASSY,NAME (REMOTE CONTROL)



TM-ZF360 41102210360A FRAME/STD,REMOTE-RADIO CONT.,HOOK-IN

Pos No.	Parts No	Parts Name	Qty	Unit	Technical Data	Seri
1	31394580620	PLATE,CAUTION (DO NOT FAIL TO CAP)	2			
2	31394580630	PLATE,NAME (OPERAT OF UNLOAD)	1			
3	31394580640	PLATE,CAUTION (ACCELERATOR ADJUST)	1			
4	31394580660	PLATE,NAME	1			

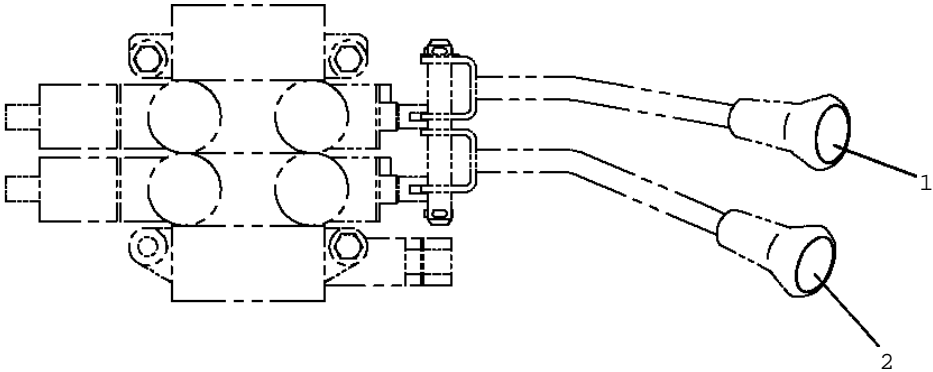
TM-ZF360 41102210360A FRAME/STD,REMOTE-RADIO CONT.,HOOK-IN
PO1012215-00 PLATE ASSY,NAME (AWL)



TM-ZF360 41102210360A FRAME/STD,REMOTE-RADIO CONT.,HOOK-IN

Pos No.	Parts No	Parts Name	Qty	Unit	Technical Data	Serial No (Start)	Serial
1	37002201980	PLATE,NAME	1				
2	31473973100	PLATE,CAUTION	1				

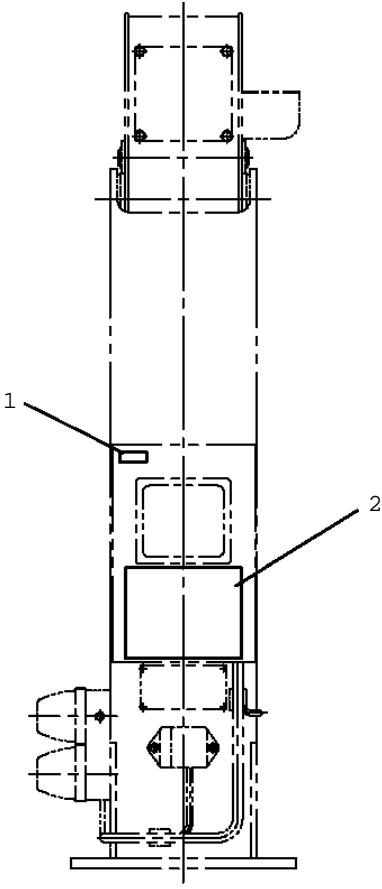
TM-ZF360 41102210360A FRAME/STD,REMOTE-RADIO CONT.,HOOK-IN
PO1012312-01 PLATE ASSY,NAME (O/R FOR CAB BACK OPE.)



TM-ZF360 41102210360A FRAME/STD,REMOTE-RADIO CONT.,HOOK-IN

Pos No.	Parts No	Parts Name	Qty	Unit	Technical Data	Serial No (Start)	Serial No
1	37002213360	PLATE,NAME	1				
2	37002213370	PLATE,NAME	1				

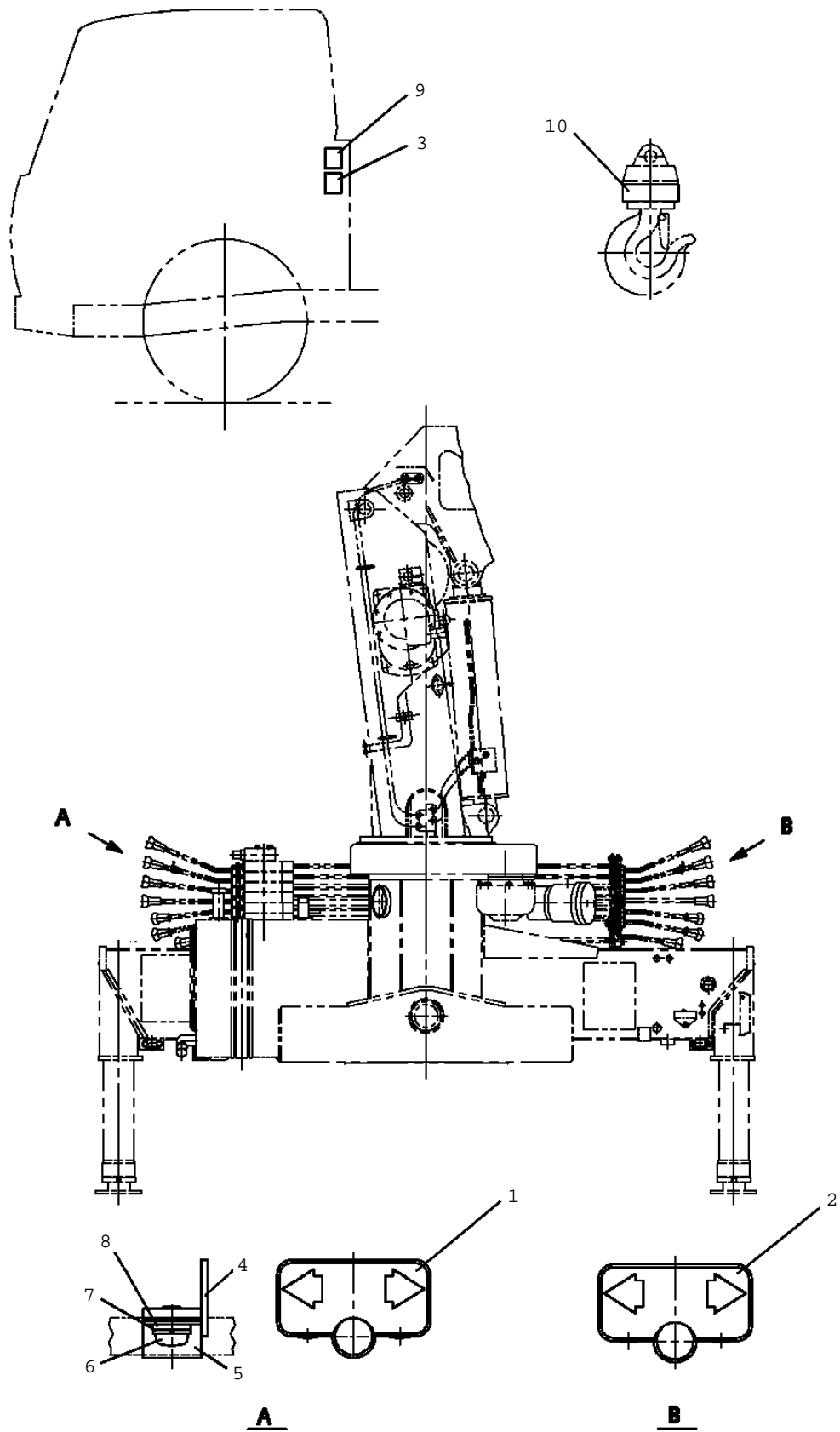
TM-ZF360 41102210360A FRAME/STD,REMOTE-RADIO CONT.,HOOK-IN
PO1012450-00 PLATE ASSY,NAME (AWL)



TM-ZF360 41102210360A FRAME/STD,REMOTE-RADIO CONT.,HOOK-IN

Pos No.	Parts No	Parts Name	Qty	Unit	Technical Data	Serial No (Start)	Serial
1	37002201980	PLATE,NAME	1				
2	31474593101	PLATE,CAUTION	1				

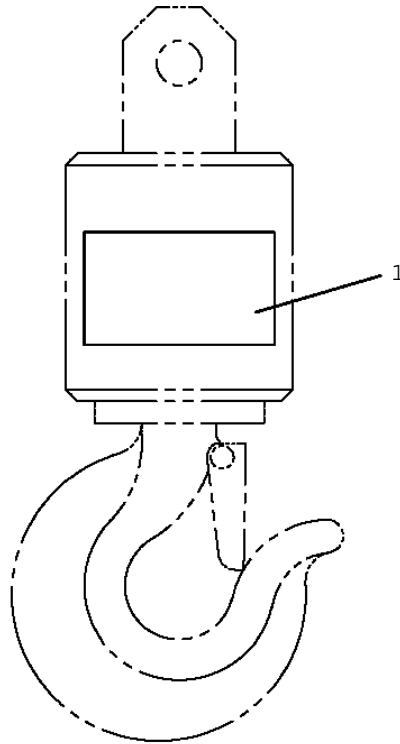
TM-ZF360 41102210360A FRAME/STD,REMOTE-RADIO CONT.,HOOK-IN
PO1012451-00 PLATE ASSY,NAME (DRUM FREE)



TM-ZF360 41102210360A FRAME/STD,REMOTE-RADIO CONT.,HOOK-IN

Pos No.	Parts No	Parts Name	Qty	Unit	Technical Data	Serial No (Star
1	31473745100	PLATE,NAME	1			
2	31473745200	PLATE,NAME	1			
3	31473745500	PLATE,CAUTION	2			
4	31473745400	SUPPORT	2			
5	37000604590	CLAMP	2			
6	80182306008	SCREW,MACHINE	4		M6X8	
7	90302040601	WASHER,SPRING	4		6	
8	90303070601	WASHER,PLAIN	4		6	
9	31473745600	PLATE,CAUTION	2			
10	31473745700	PLATE,CAUTION (0.49TON)	1			

TM-ZF360 41102210360A FRAME/STD,REMOTE-RADIO CONT.,HOOK-IN
PO1012473-02 PLATE ASSY,NAME (HOOK)



1

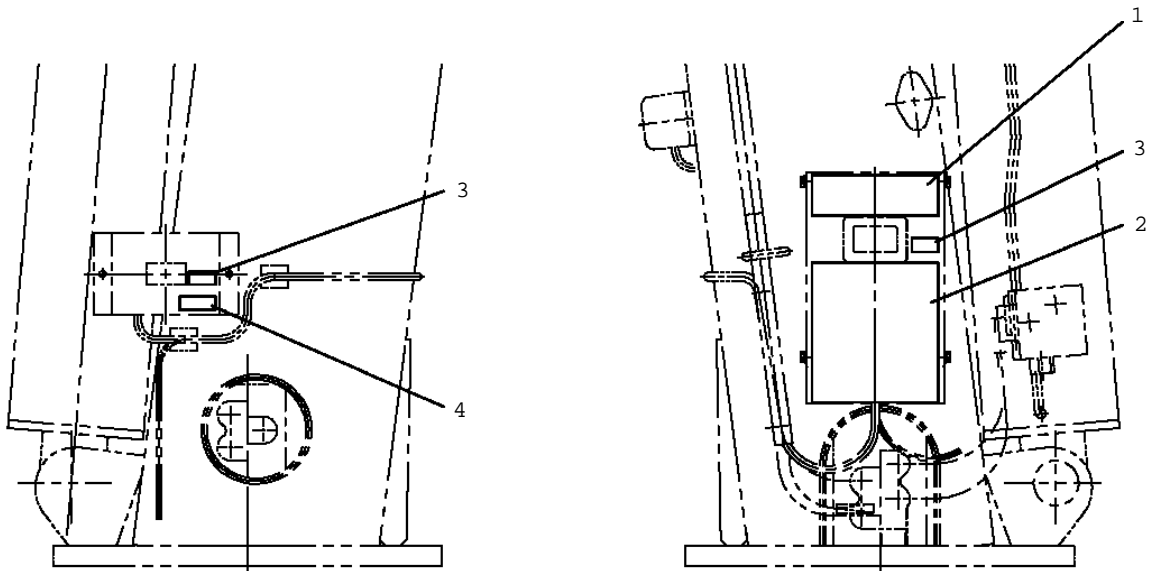
つり上げ荷重 0.49 t

	<p>● 1本吊り時の定額荷重は、空車時定額荷重に劣ります。 ただし0.49tを超える場合は、0.49tとします。空車時定額荷重の値は、つり具設置（フック等）を念じています。</p>
警告	314-734-01100

TM-ZF360 41102210360A FRAME/STD,REMOTE-RADIO CONT.,HOOK-IN

Pos No.	Parts No	Parts Name	Qty	Unit	Technical Data	Serial No (Start)	Serial
1	31473481100	PLATE,CAUTION	1				

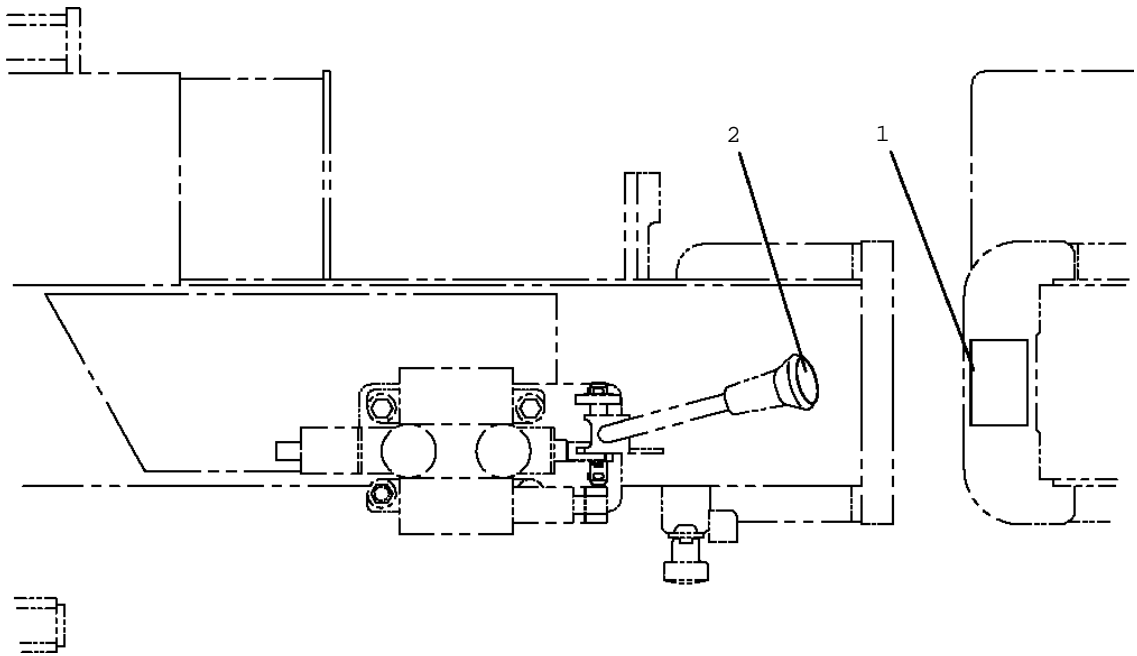
TM-ZF360 41102210360A FRAME/STD,REMOTE-RADIO CONT.,HOOK-IN
PO1012546-01 PLATE ASSY,NAME (BML,OPTION)



TM-ZF360 41102210360A FRAME/STD,REMOTE-RADIO CONT.,HOOK-IN

Pos No.	Parts No	Parts Name	Qty	Unit	Technical Data	Serial No (Start)	S
1	31360206010	PLATE,CAUTION	1				
2	31360206020	PLATE,CAUTION	1				
3	31360206030	PLATE,NAME (TON/%)	2				
4	37002201980	PLATE,NAME	1				

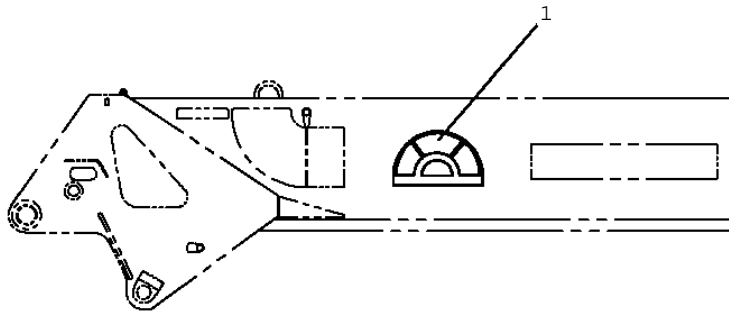
TM-ZF360 41102210360A FRAME/STD,REMOTE-RADIO CONT.,HOOK-IN
PO1012662-01 PLATE ASSY,NAME (POWER SUPPLY)



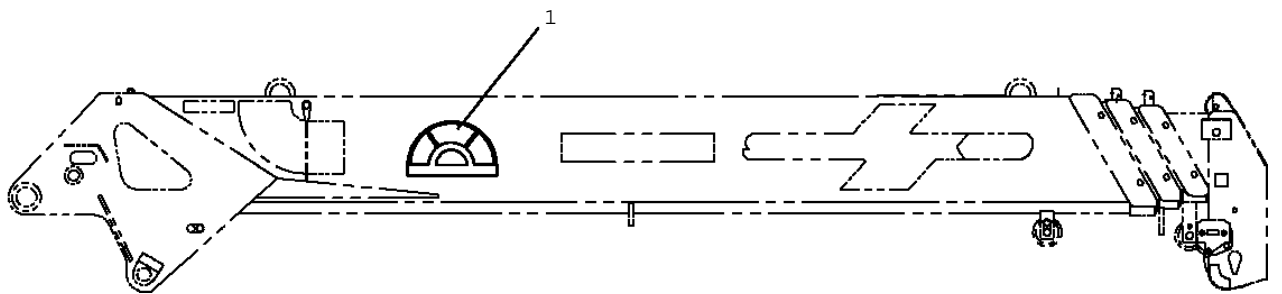
TM-ZF360 41102210360A FRAME/STD,REMOTE-RADIO CONT.,HOOK-IN

Pos No.	Parts No	Parts Name	Qty	Unit	Technical Data	Serial No (Start)	Serial
1	31394720300	PLATE,CAUTION	1				
2	31473633100	PLATE,NAME	1				

TM-ZF360 41102210360A FRAME/STD,REMOTE-RADIO CONT.,HOOK-IN
PO1012663-00 PLATE ASSY,NAME (BML BOOM,OPTION)



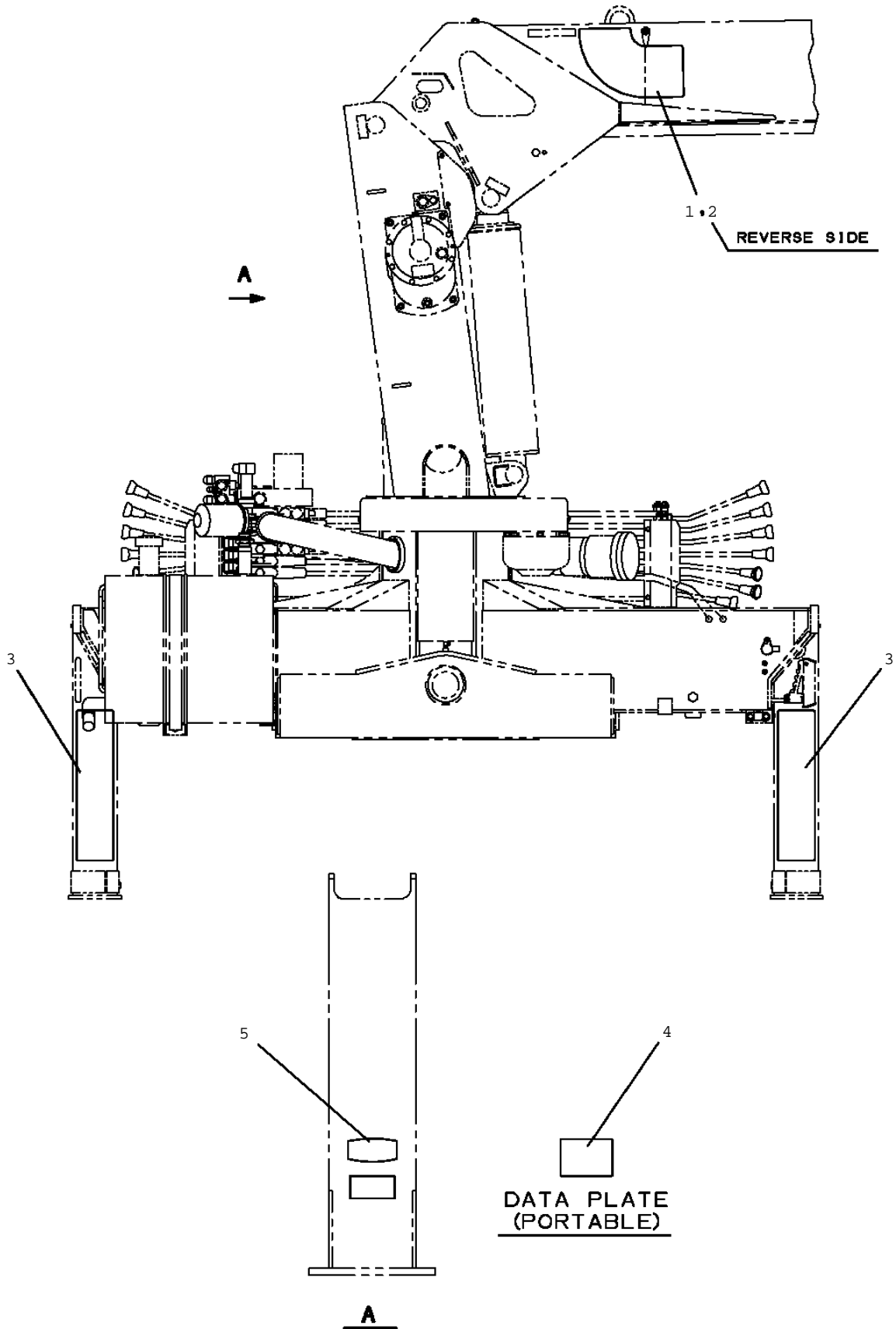
5x6 SECTIONS



TM-ZF360 41102210360A FRAME/STD,REMOTE-RADIO CONT.,HOOK-IN

Pos No.	Parts No	Parts Name	Qty	Unit	Technical Data	Serial No (Start)	Ser
1	31360206510	PLATE,NAME (BML)	2				

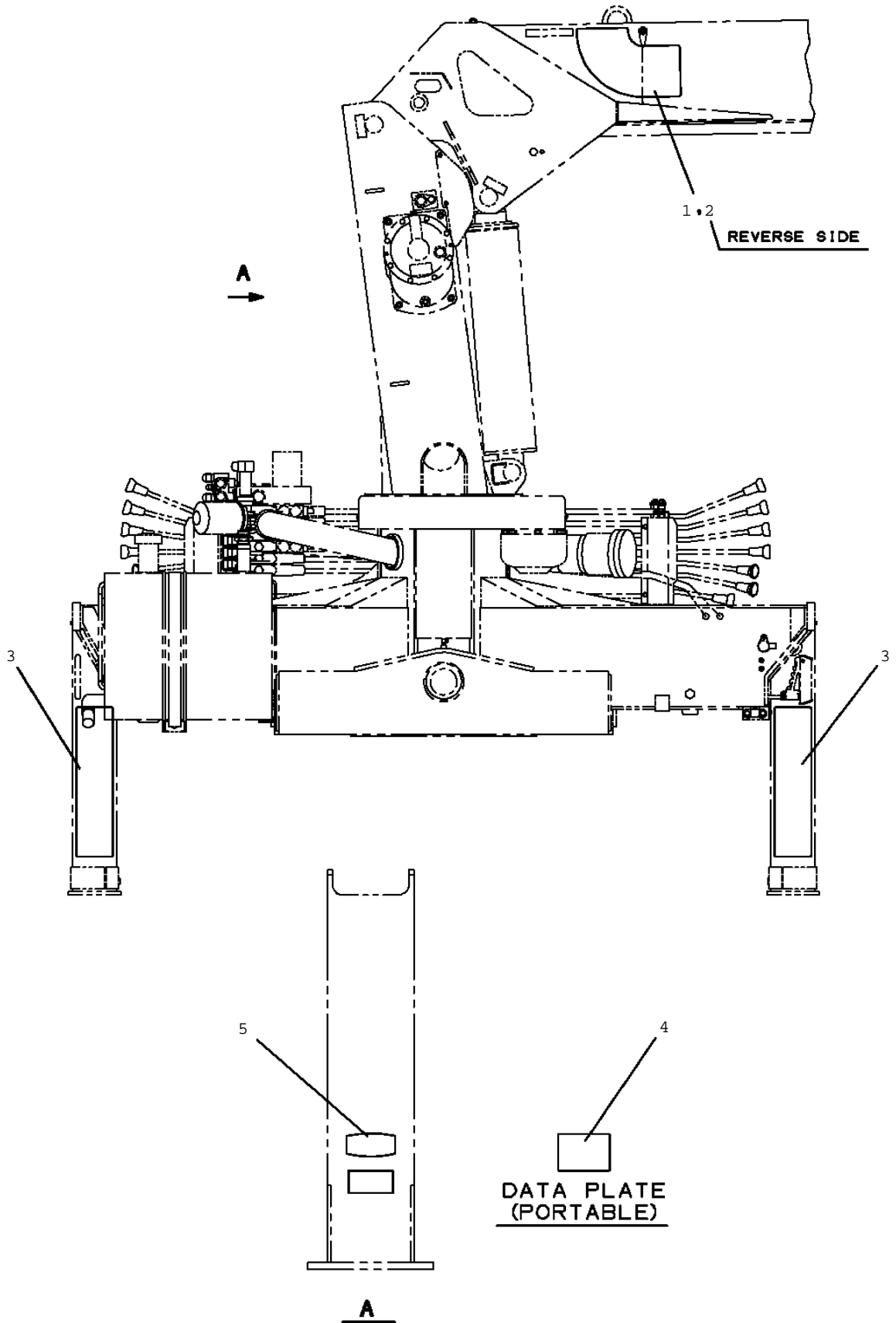
TM-ZF360 41102210360A FRAME/STD,REMOTE-RADIO CONT.,HOOK-IN
PO1012667-01 PERFORMANCE DATA (ZF366,WB=4200 7T/JPN)



TM-ZF360 41102210360A FRAME/STD,REMOTE-RADIO CONT.,HOOK-IN

Pos No.	Parts No	Parts Name	Qty	Unit	Technical Data	Serial No (Start)	Serial No
1	31396383100	PLATE,NAME	1				
2	31396383200	PLATE,NAME	1				
3	31396383300	PLATE,NAME	2				
4	31396383400	PLATE,NAME	1				
5	37002213910	PLATE,NAME	1				

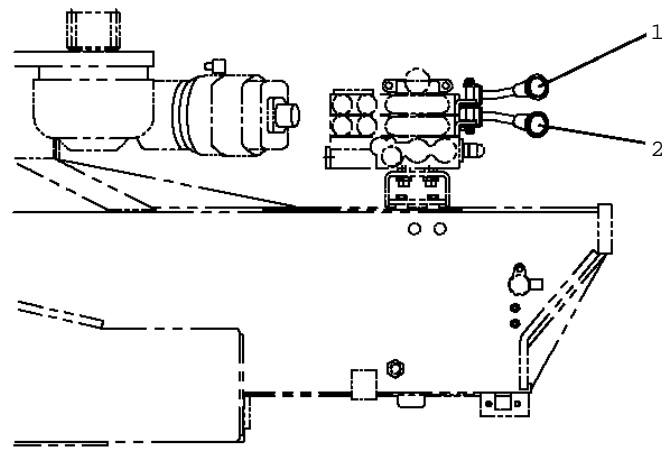
TM-ZF360 41102210360A FRAME/STD,REMOTE-RADIO CONT.,HOOK-IN
PO1012668-01 PERFORMANCE DATA (ZF366,DAY CAB/JPN)



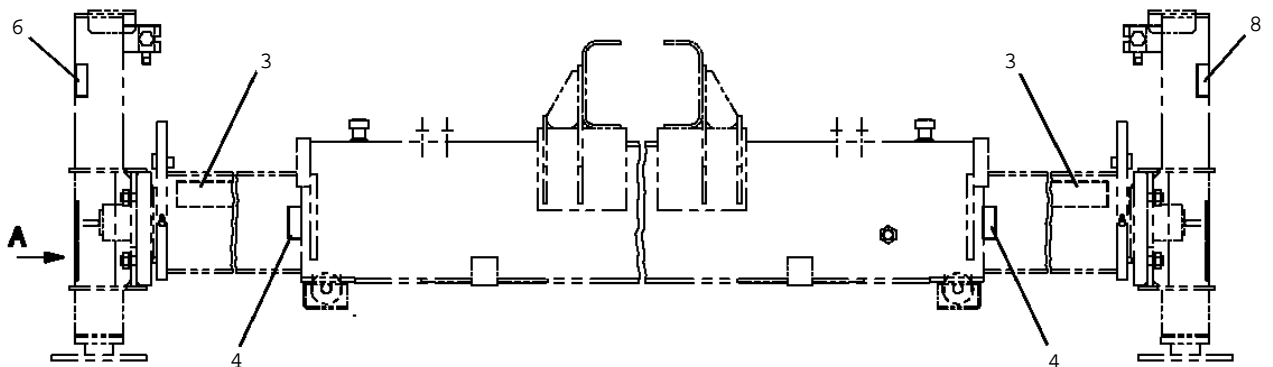
TM-ZF360 41102210360A FRAME/STD,REMOTE-RADIO CONT.,HOOK-IN

Pos No.	Parts No	Parts Name	Qty	Unit	Technical Data	Serial No (Start)	Serial No
1	31396381100	PLATE,NAME	1				
2	31396381200	PLATE,NAME	1				
3	31396381300	PLATE,NAME	2				
4	31396381400	PLATE,NAME	1				
5	37002213910	PLATE,NAME	1				

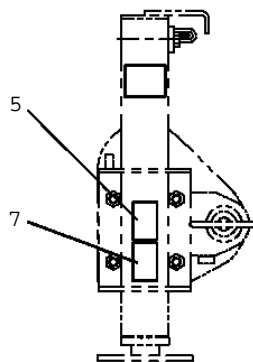
TM-ZF360 41102210360A FRAME/STD,REMOTE-RADIO CONT.,HOOK-IN
PO1012691-00 PLATE ASSY,NAME (OUTRIGGER,REAR)



FRAME



REAR LACK

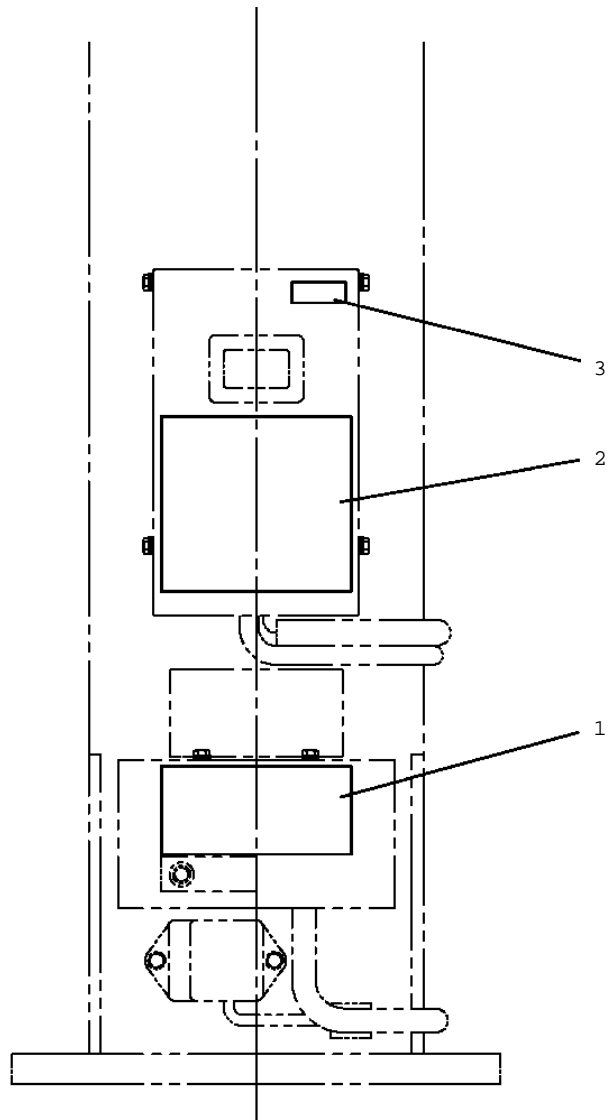


A

TM-ZF360 41102210360A FRAME/STD,REMOTE-RADIO CONT.,HOOK-IN

Pos No.	Parts No	Parts Name	Qty	Unit	Technical Data	Serial No (Start)	S
1	37002213360	PLATE,NAME	1				
2	37002213370	PLATE,NAME	1				
3	31393180100	REFLECTOR (RED)	2				
4	31611300500	PLATE,NAME (WHITE)	4				
5	31395220250	PLATE,CAUTION	2				
6	31394500100	PLATE,CAUTION	1				
7	31395220260	PLATE,CAUTION	2				
8	31394500200	PLATE,CAUTION	1				

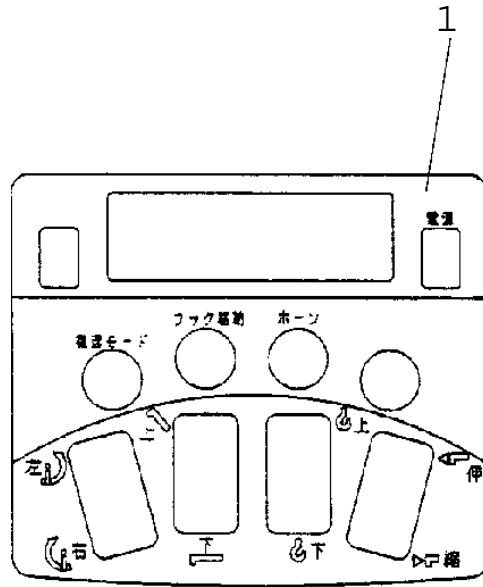
TM-ZF360 41102210360A FRAME/STD,REMOTE-RADIO CONT.,HOOK-IN
PO1012920-00 PLATE ASSY,NAME (AWL,OPTION)



TM-ZF360 41102210360A FRAME/STD,REMOTE-RADIO CONT.,HOOK-IN

Pos No.	Parts No	Parts Name	Qty	Unit	Technical Data	Serial No (Start)
1	31476023100	PLATE,CAUTION (AWL)	1			
2	31476023200	PLATE,CAUTION	1			
3	37002201980	PLATE,NAME	1			

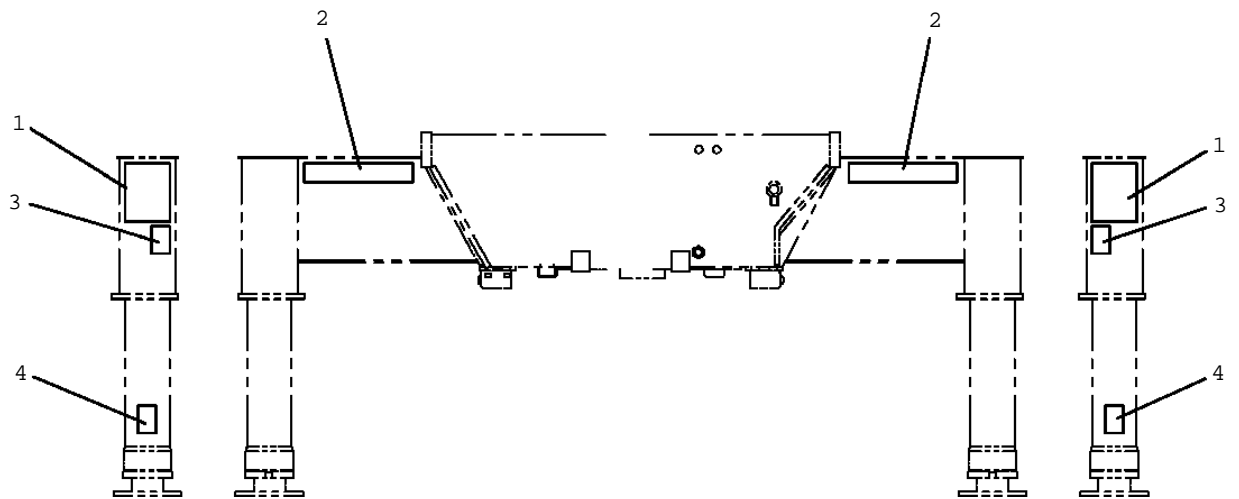
TM-ZF360 41102210360A FRAME/STD,REMOTE-RADIO CONT.,HOOK-IN
PO1013094-01 PLATE ASSY,NAME



TM-ZF360 41102210360A FRAME/STD,REMOTE-RADIO CONT.,HOOK-IN

Pos No.	Parts No	Parts Name	Qty	Unit	Technical Data	Serial No (Start)	Seri
1	36803195010	PLATE ASSY,NAME	1				

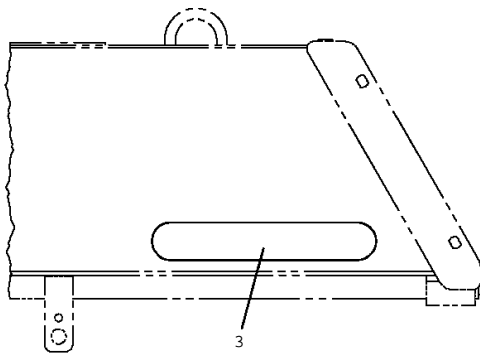
TM-ZF360 41102210360A FRAME/STD,REMOTE-RADIO CONT.,HOOK-IN
PO1013163-00 PLATE ASSY,NAME (O/R FOR CAB BACK)



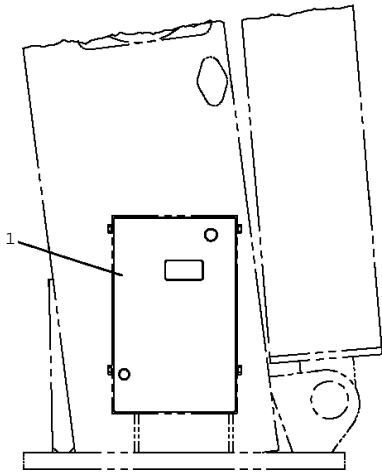
TM-ZF360 41102210360A FRAME/STD,REMOTE-RADIO CONT.,HOOK-IN

Pos No.	Parts No	Parts Name	Qty	Unit	Technical Data	Serial No (Start)	Seri
1	31394270230	PLATE,CAUTION	2				
2	31393180100	REFLECTOR (RED)	2				
3	31395220250	PLATE,CAUTION	2				
4	31395220260	PLATE,CAUTION	2				

TM-ZF360 41102210360A FRAME/STD,REMOTE-RADIO CONT.,HOOK-IN
 PO1014437-01 PLATE ASSY,NAME (UPPER)



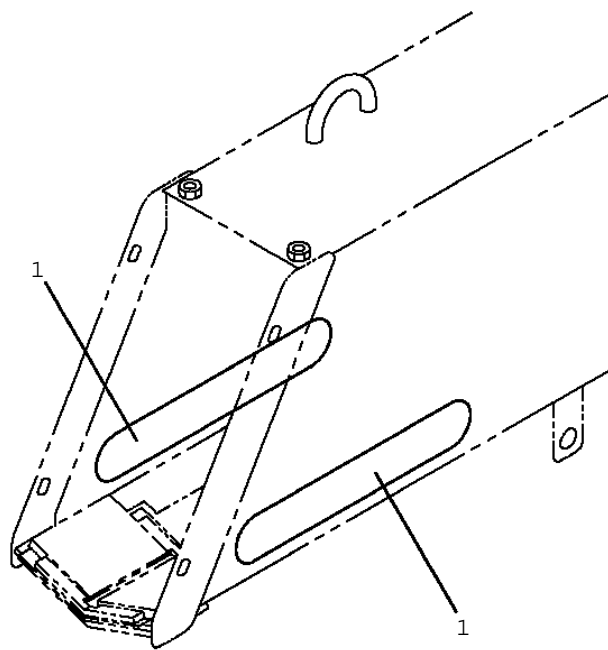
高さ制限装置付



TM-ZF360 41102210360A FRAME/STD,REMOTE-RADIO CONT.,HOOK-IN

Pos No.	Parts No	Parts Name	Qty	Unit	Technical Data	Serial No (Start)
1	31500512100	PLATE,CAUTION (AWL)	1			
3	31361473100	PLATE,NAME	2			

TM-ZF360 41102210360A FRAME/STD,REMOTE-RADIO CONT.,HOOK-IN
PO1014584-01 PLATE ASSY,NAME (BOOM,ELEV. STOWING FAILURE)

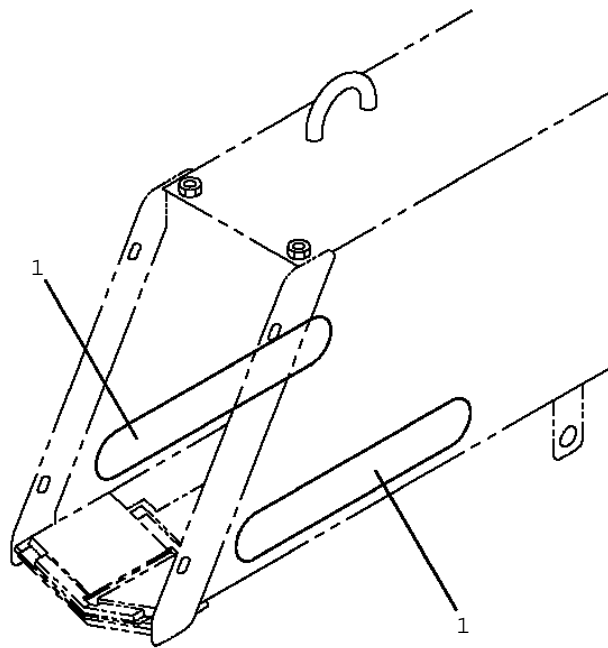


1
ブーム格納忘れ警報装置付

TM-ZF360 41102210360A FRAME/STD,REMOTE-RADIO CONT.,HOOK-IN

Pos No.	Parts No	Parts Name	Qty	Unit	Technical Data	Serial No (Start)	Serial No
1	31477441100	PLATE,NAME	2				

TM-ZF360 41102210360A FRAME/STD,REMOTE-RADIO CONT.,HOOK-IN
PO1014592-01 PLATE ASSY,NAME

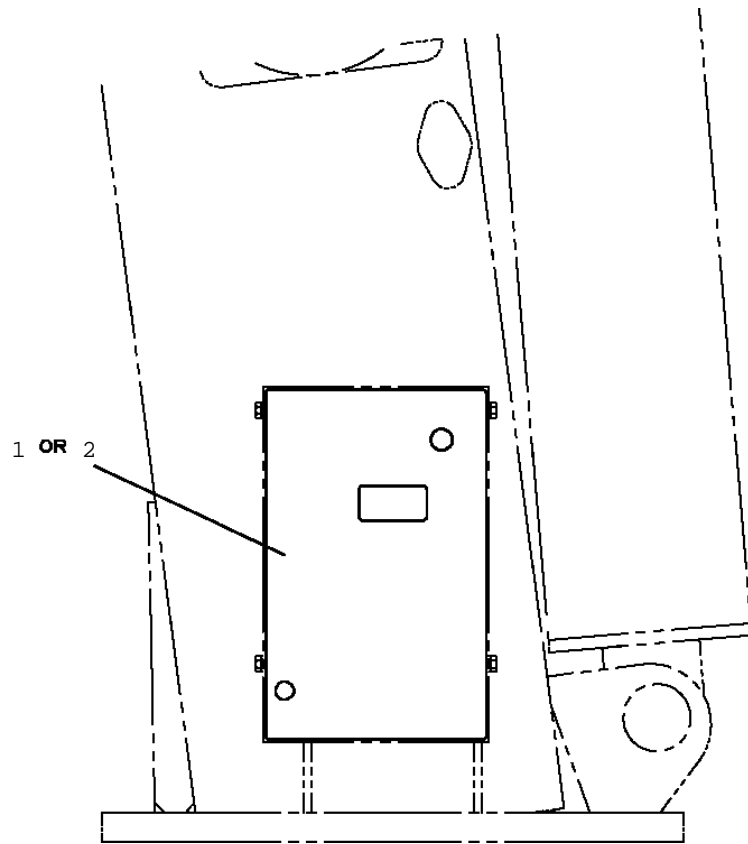


1
アーム・アウトリガ格納忘れ警報装置付

TM-ZF360 41102210360A FRAME/STD,REMOTE-RADIO CONT.,HOOK-IN

Pos No.	Parts No	Parts Name	Qty	Unit	Technical Data	Serial No (Start)	Serial No
1	31477333100	PLATE,NAME	2				

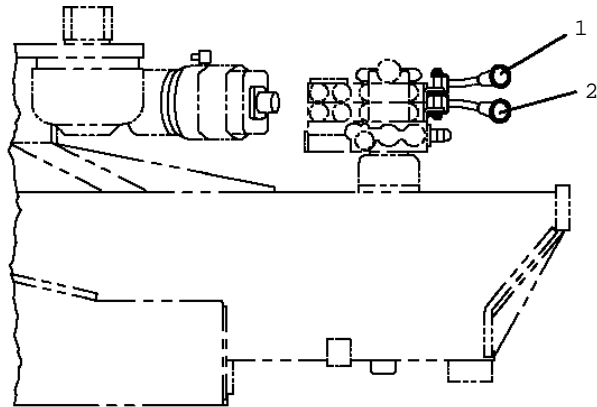
TM-ZF360 41102210360A FRAME/STD,REMOTE-RADIO CONT.,HOOK-IN
PO1014748-00 PLATE ASSY,NAME (FOR FIXING AWL)



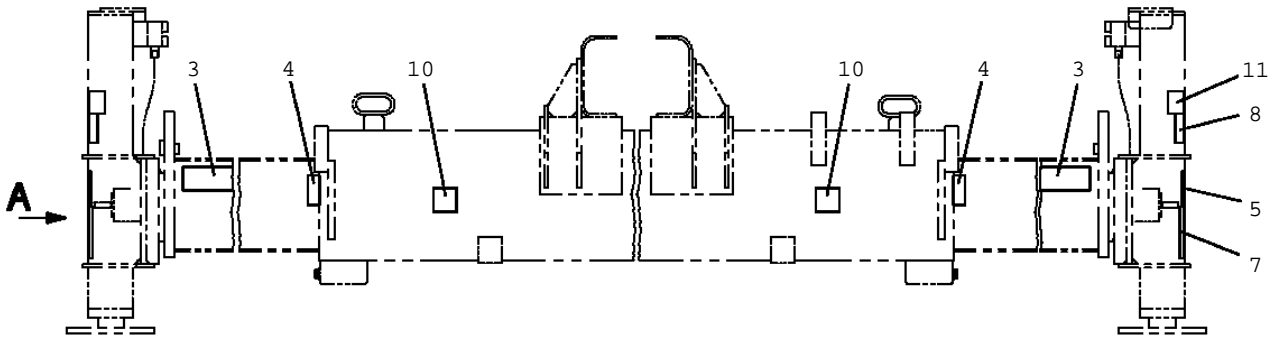
TM-ZF360 41102210360A FRAME/STD,REMOTE-RADIO CONT.,HOOK-IN

Pos No.	Parts No	Parts Name	Qty	Unit	Technical Data	Serial No (Star
1	31361841100	PLATE,CAUTION (FOR AWL)	1			
2	31361841200	PLATE,CAUTION (FOR BML)	1			

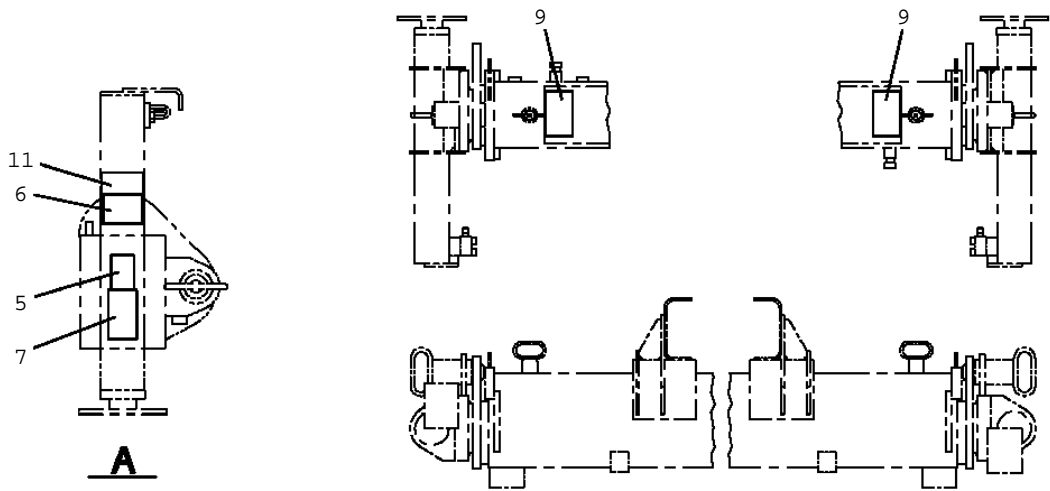
TM-ZF360 41102210360A FRAME/STD,REMOTE-RADIO CONT.,HOOK-IN
 PO1014809-00 PLATE ASSY,NAME



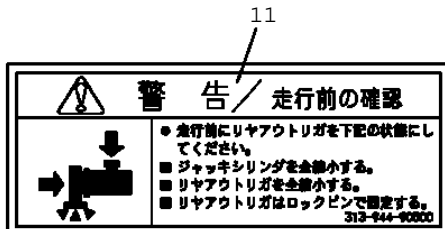
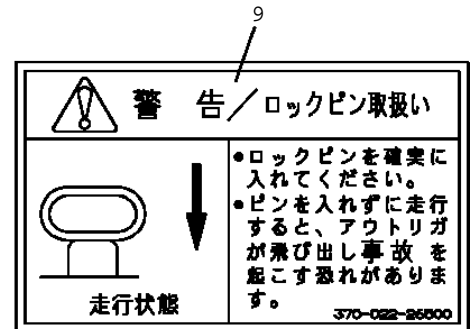
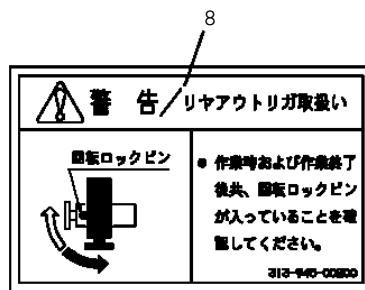
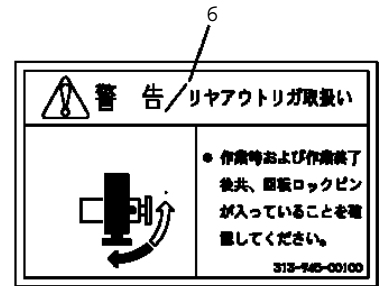
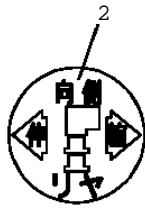
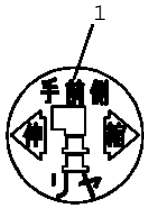
クレーン本体/車両後方より見る



リヤジャッキ/車両後方より見る (張出状態)



車両後方より見る (中型車系の場合)



TM-ZF360 41102210360A FRAME/STD,REMOTE-RADIO CONT.,HOOK-IN

Pos No.	Parts No	Parts Name	Qty	Unit	Technical Data	Serial No (Start)
1	37002213360	PLATE,NAME	1			
2	37002213370	PLATE,NAME	1			
3	31393180100	REFLECTOR (RED)	2			
4	31611300500	PLATE,NAME (WHITE)	4			
5	31395220250	PLATE,CAUTION	2			
6	31394500100	PLATE,CAUTION	1			
7	37002220430	PLATE,CAUTION	2			
8	31394500200	PLATE,CAUTION	1			
9	37002226500	PLATE,CAUTION	2			
10	37002213970	PLATE,NAME (MARKING)	2			
11	31394490500	PLATE,CAUTION	2			

TM-ZF360 41102210360A FRAME/STD,REMOTE-RADIO CONT.,HOOK-IN
PP5150005-00 PARTS ASSY,RADIO CONTROLLER (KIT:LED/NACHI)

指示番号 KEY NO.	パーツASSY,ラジコン(コウカンキット:LED/フジコシセイハルブ) PARTS ASSY,RADIO CONTROLLER (KIT:LED/NACHI)
2	ハイセンASSY(フレーム) ELEC.ASSY(FRAME)
3	ハイセンASSY(アンテナ) ELEC.ASSY(ANTENNA)
11	コントロールユニット CONTROL UNIT
12	アンテナ ANTENNA
13	スイッチボックス SWITCH BOX
14	ボックス,ストローイング BOX,STOWING

TM-ZF360 41102210360A FRAME/STD,REMOTE-RADIO CONT.,HOOK-IN

Pos No.	Parts No	Parts Name	Qty	Unit	Technical Data	S
2	(*****)	ELEC.ASSY (FRAME)	1			
3	(*****)	ELEC.ASSY (ANTENNA)	1			
11	36804911001	CONTROL UNIT	1			K
12	36804912000	ANTENNA (FOR RADIO CONTROL)	1			
13	36804913000	SWITCH BOX (RADIO CONTROL,LED TYPE)	1			
14	36804914000	BOX,STOWING	1			

TM-ZF360 41102210360A FRAME/STD,REMOTE-RADIO CONT.,HOOK-IN
PP5150006-00 PARTS ASSY,RADIO CONTROLLER (KIT:LED/SANWA)

指示番号 KEY NO.	パーツASSY,ラジコン(コウカンキット:LED/サンワセイパルプ) PARTS ASSY,RADIO CONTROLLER (KIT:LED/SANWA)
2	ハイセンASSY(フレーム) ELEC.ASSY(FRAME)
3	ハイセンASSY(アンテナ) ELEC.ASSY(ANTENNA)
11	コントロールユニット CONTROL UNIT
12	アンテナ ANTENNA
13	スイッチボックス SWITCH BOX
14	ボックス,ストローイング BOX,STOWING

TM-ZF360 41102210360A FRAME/STD,REMOTE-RADIO CONT.,HOOK-IN

Pos No.	Parts No	Parts Name	Qty	Unit	Technical Data	S
2	(*****)	ELEC.ASSY (FRAME)	1			
3	(*****)	ELEC.ASSY (ANTENNA)	1			
11	36804911001	CONTROL UNIT	1			K
12	36804912000	ANTENNA (FOR RADIO CONTROL)	1			
13	36804913000	SWITCH BOX (RADIO CONTROL,LED TYPE)	1			
14	36804914000	BOX,STOWING	1			

TM-ZF360 41102210360A FRAME/STD,REMOTE-RADIO CONT.,HOOK-IN
PR5040006-00 RADIO CONTROLLER ASSY (F-TYPE:LED/WITHOUT HOOK

ラジコンASSY (Fタイプ:LED/フックインナシ)

RADIO CONTROLLER ASSY (F-TYPE:LED/WITHOUT HOOK-IN)

【組立名称一覧】より選択してください。

SEE THE CORRESPONDING "ASSEMBLY NAME" LIST.

TM-ZF360 41102210360A FRAME/STD,REMOTE-RADIO CONT.,HOOK-IN

Pos No.	Parts No	Parts Name	Qty	Unit	Technical Data	S
2	(*****)	ELEC.ASSY (ANTENNA)	1			
3	(*****)	ELEC.ASSY (RADIO CONTROL)	1			
4	(*****)	OPE.ASSY,CONT.VALVE (RADICON)	1			
5	(*****)	OPERATION SYSTEM, ACCELERATOR	1			
6	(*****)	PIPING,LOWER (NACHI)	1			
	(*****)	PIPING,LOWER (SANWA)	1			
7	(*****)	PIPING,LOWER (REPLACE FILTER)	1			
8	(*****)	MOUNT	1			
21	36804911001	CONTROL UNIT	1			
22	36804912000	ANTENNA (FOR RADIO CONTROL)	1			
23	36804913000	SWITCH BOX (RADIO CONTROL,LED TYPE)	1			
24	36804914000	BOX,STOWING	1			

K

TM-ZF360 41102210360A FRAME/STD,REMOTE-RADIO CONT.,HOOK-IN
PR5040007-00 RADIO CONTROLLER ASSY (F-TYPE:LED/WITH HOOK-IN

ラジコンASSY (Fカタ:LED/フックインツキ)
RADIO CONTROLLER ASSY (F-TYPE:LED/WITH HOOK-IN)

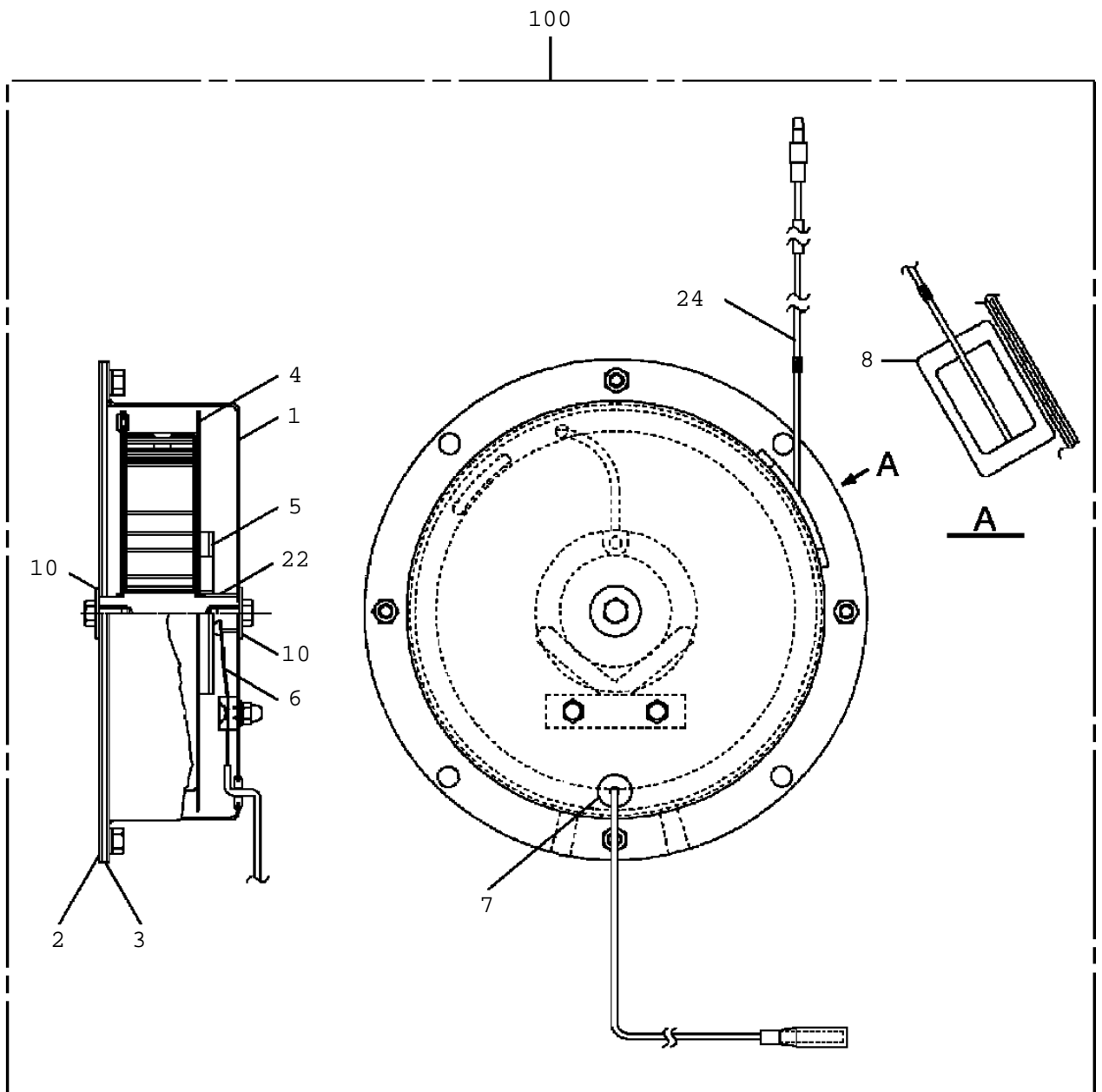
【組立名称一覧】より選択してください。
SEE THE CORRESPONDING "ASSEMBLY NAME" LIST.

TM-ZF360 41102210360A FRAME/STD,REMOTE-RADIO CONT.,HOOK-IN

Pos No.	Parts No	Parts Name	Qty	Unit	Technical Data	S
2	(*****)	ELEC.ASSY (ANTENNA)	1			
3	(*****)	ELEC.ASSY (RADIO CONTROL)	1			
4	(*****)	OPE.ASSY,CONT.VALVE (RADICON)	1			
5	(*****)	OPERATION SYSTEM, ACCELERATOR	1			
6	(*****)	PIPING,LOWER (NACHI)	1			
	(*****)	PIPING,LOWER (SANWA)	1			
7	(*****)	PIPING,LOWER (REPLACE FILTER)	1			
8	(*****)	MOUNT	1			
21	36804911001	CONTROL UNIT	1			
22	36804912000	ANTENNA (FOR RADIO CONTROL)	1			
23	36804913000	SWITCH BOX (RADIO CONTROL,LED TYPE)	1			
24	36804914000	BOX,STOWING	1			

K

TM-ZF360 41102210360A FRAME/STD,REMOTE-RADIO CONT.,HOOK-IN
PR5050007-00 REEL ASSY,CORD

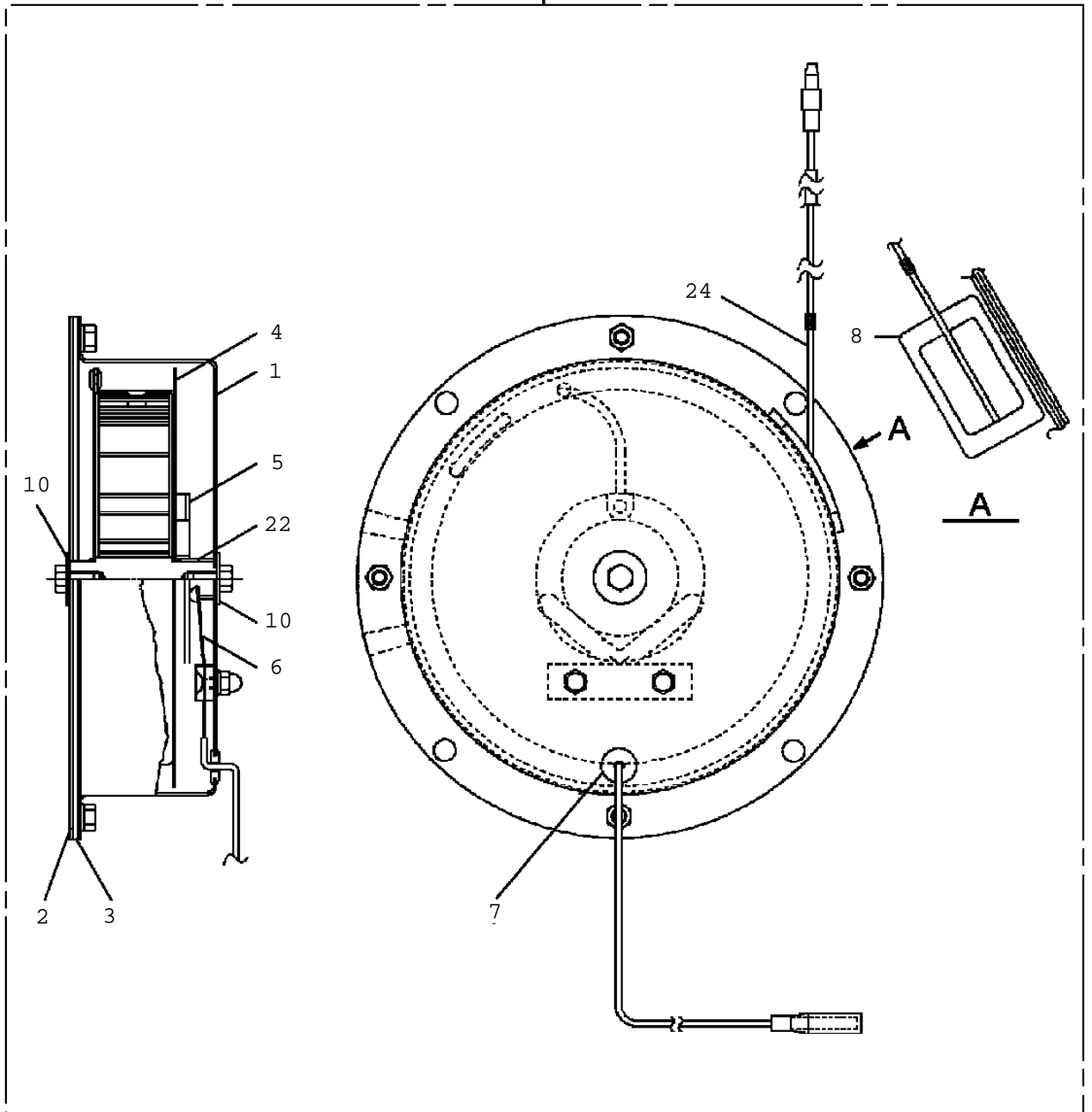


TM-ZF360 41102210360A FRAME/STD,REMOTE-RADIO CONT.,HOOK-IN

Pos No.	Parts No	Parts Name	Qty	Unit	Technical Data	Serial No (Start)	Serial No (End)
1	36161705010	CASE	1				
2	36132015010	PLATE (BASE)	1				
3	36161705020	PACKING	1				
4	36161705030	SPRING ASSY	1				
5	32360005050	RING,SLIP	1				
6	32360005060	CONTACTOR ASSY	1				
7	31370005070	GROMMET	1				
8	31370005080	GUIDE (CORD)	1				
10	36160935030	WASHER	2				
22	36160325010	COLLAR	1				
24	36131745090	CORD	17	M			
100	36161700000	REEL ASSY, CORD	1				

TM-ZF360 41102210360A FRAME/STD,REMOTE-RADIO CONT.,HOOK-IN
PR5050011-00 REEL ASSY,CORD

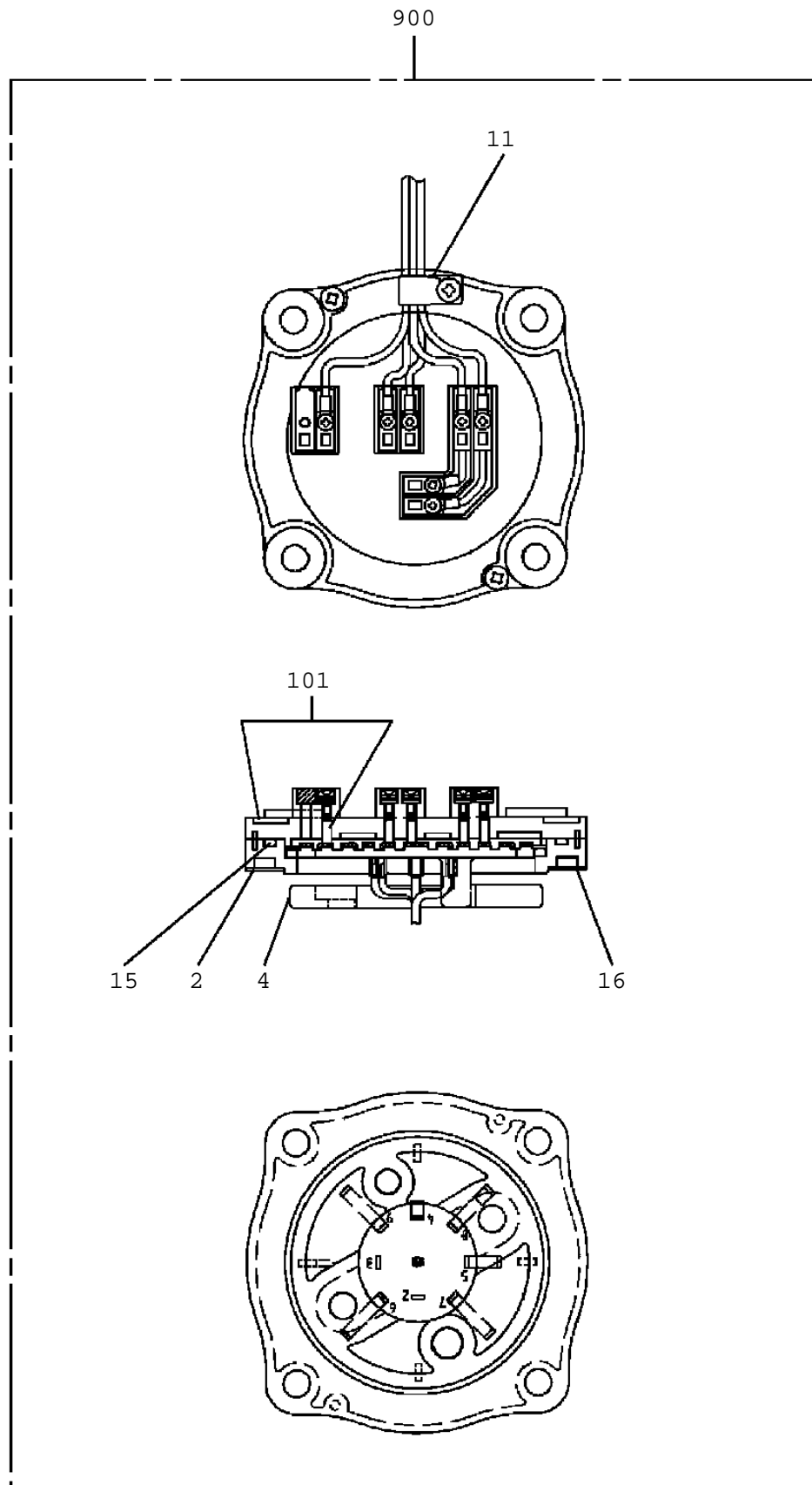
100



TM-ZF360 41102210360A FRAME/STD,REMOTE-RADIO CONT.,HOOK-IN

Pos No.	Parts No	Parts Name	Qty	Unit	Technical Data	Serial No (Start)	Serial No (End)
1	36161705010	CASE	1				
2	36132015010	PLATE (BASE)	1				
3	36161705020	PACKING	1				
4	36161715010	SPRING ASSY	1				
5	32360005050	RING,SLIP	1				
6	32360005060	CONTACTOR ASSY	1				
7	31370005070	GROMMET	1				
8	31370005080	GUIDE (CORD)	1				
10	36160935030	WASHER	2				
22	36160325010	COLLAR	1				
24	36131745090	CORD	15	M			
100	36161770000	REEL ASSY, CORD	1				

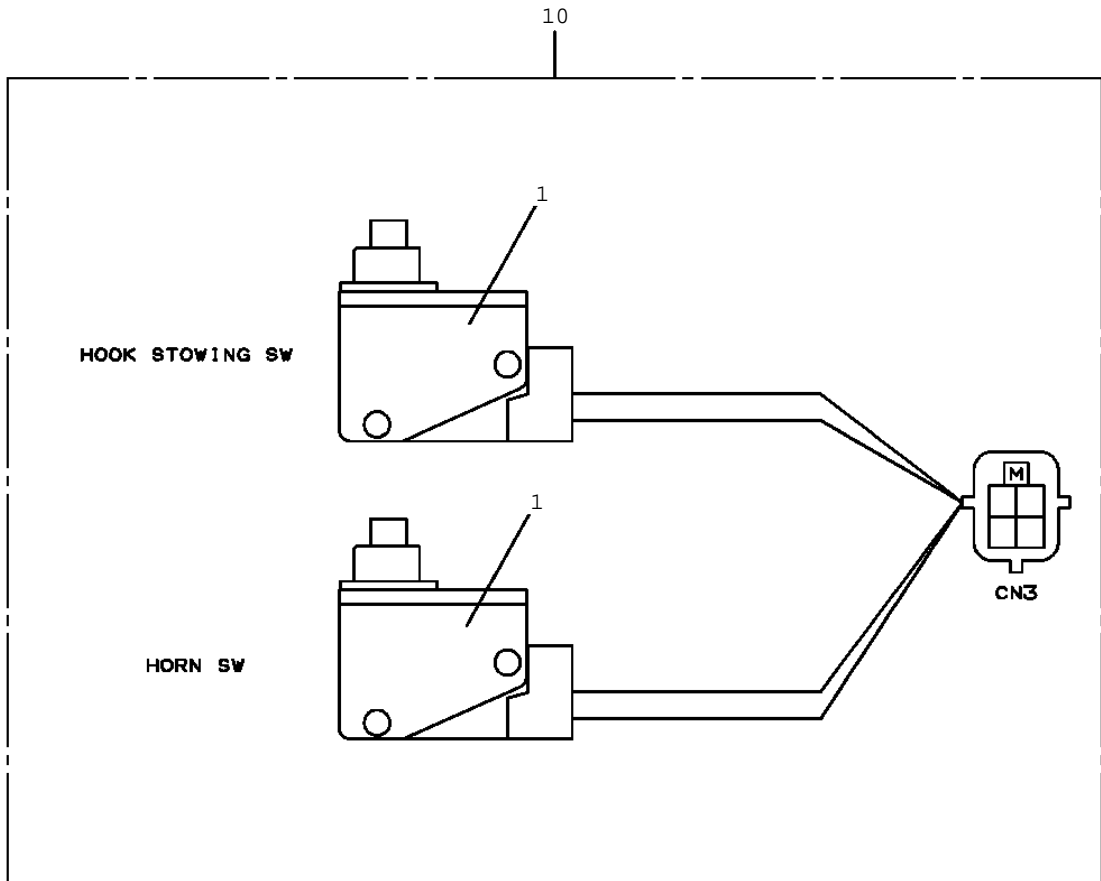
TM-ZF360 41102210360A FRAME/STD,REMOTE-RADIO CONT.,HOOK-IN
PR5130002-00 RING ASSY,SLIP



TM-ZF360 41102210360A FRAME/STD,REMOTE-RADIO CONT.,HOOK-IN

Pos No.	Parts No	Parts Name	Qty	Unit	Technical Data	Serial N
2	31631807510	CASE (RING)	1			
4	31631807520	SPACER	1			
11	31631807530	CLAMP (CABLE)	1			
15	31631807540	O-RING	1			
16	31631807550	PACKING	1			
101	31631807560	HOLDER ASSY,BRUSH (WITH BRUSH)	1			
900	31631803000	RING ASSY,SLIP	1			

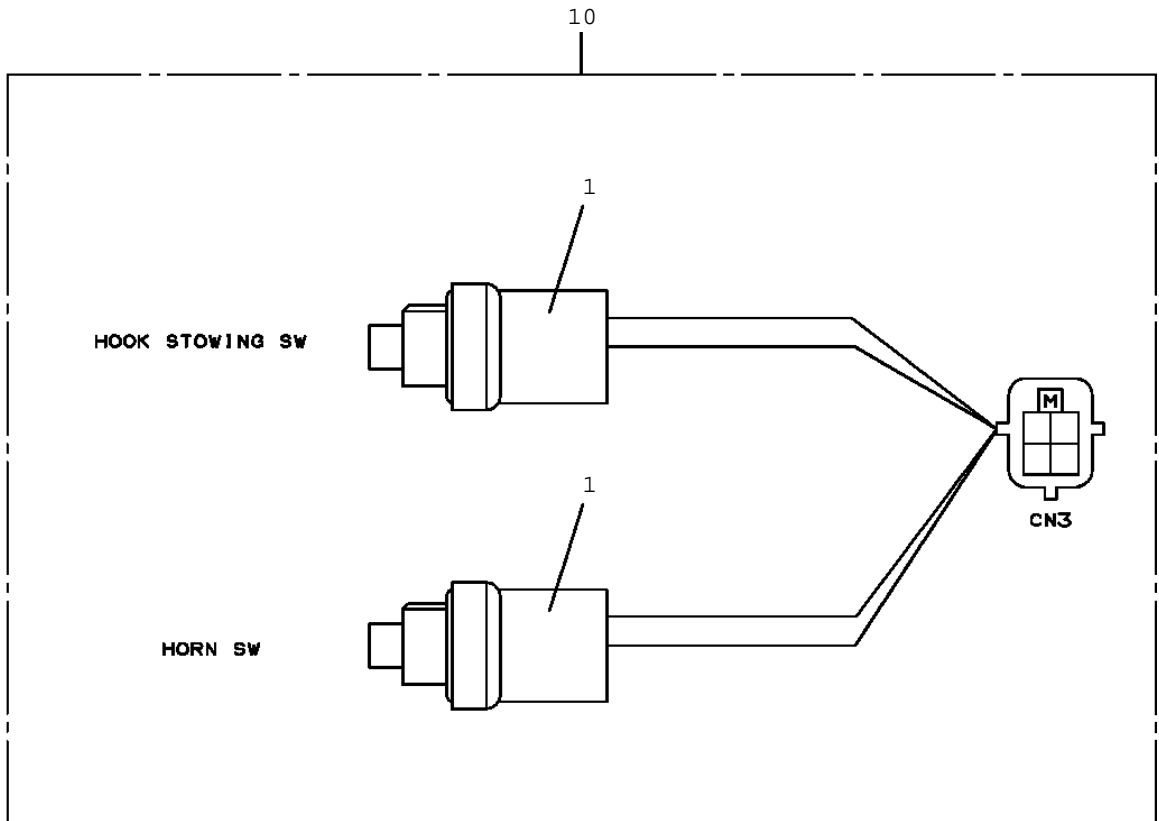
TM-ZF360 41102210360A FRAME/STD,REMOTE-RADIO CONT.,HOOK-IN
PS5530073-00 SWITCH ASSY (GREEN: PANASONIC)



TM-ZF360 41102210360A FRAME/STD,REMOTE-RADIO CONT.,HOOK-IN

Pos No.	Parts No	Parts Name	Qty	Unit	Technical Data	Serial No
1	82101429241	SWITCH,PUSH (GREEN)	2			
10	31651761400	SWITCH ASSY (GREEN:PANASONIC)	1			

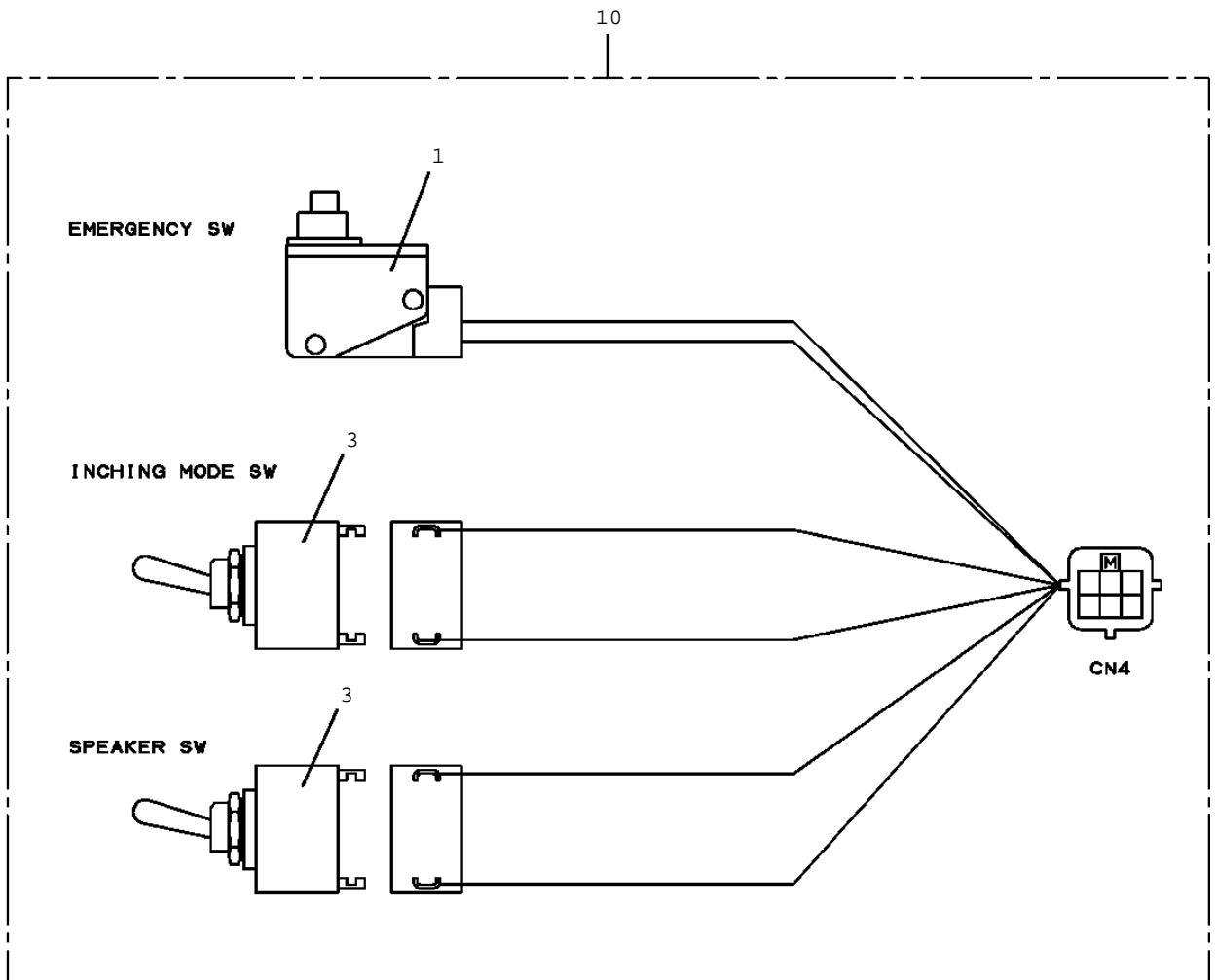
TM-ZF360 41102210360A FRAME/STD,REMOTE-RADIO CONT.,HOOK-IN
PS5530074-00 SWITCH ASSY (PLANTING:NACC)



TM-ZF360 41102210360A FRAME/STD,REMOTE-RADIO CONT.,HOOK-IN

Pos No.	Parts No	Parts Name	Qty	Unit	Technical Data	Serial No
1	82101940130	SWITCH,PUSH (3PJW106F-021-CC)	2			
10	31651761600	SWITCH ASSY (PLANTING:NACC)	1			

TM-ZF360 41102210360A FRAME/STD,REMOTE-RADIO CONT.,HOOK-IN
PS5530075-00 SWITCH ASSY (GREEN: PANASONIC)



TM-ZF360 41102210360A FRAME/STD,REMOTE-RADIO CONT.,HOOK-IN

Pos No.	Parts No	Parts Name	Qty	Unit	Technical Data	Serial No
1	82101429241	SWITCH,PUSH (GREEN)	1			
3	82105410110	SWITCH,TOGGLE	2			
10	31651762500	SWITCH ASSY (GREEN:PANASONIC)	1			

TM-ZF360 41102210360A FRAME/STD,REMOTE-RADIO CONT.,HOOK-IN
PV1010025-00 REMOTE CONTROL (KIT)

1	スイッチ ボックス SWITCH BOX
2	ストーイング ボックス STOWING BOX
3	ハイセンASSY ELEC.ASSY

TM-ZF360 41102210360A FRAME/STD,REMOTE-RADIO CONT.,HOOK-IN

Pos No.	Parts No	Parts Name	Qty	Unit	Technical Data	Serial
1	36800582000	SWITCH BOX (REMOTE CONTROL.M2)	1			
	36800582001	SWITCH BOX	1			KA0051
2	(*****)	STOWING BOX (REMOTE CONTROL)	1			
3	(*****)	ELEC.ASSY (REMOTE CONTROL)	1			

TM-ZF360 41102210360A FRAME/STD,REMOTE-RADIO CONT.,HOOK-IN
 PV1010032-00 REMOTE CONTROL

12	ストーイング ホックス STOWING BOX
13	オペ .ASSY,ソウサハ ルフ OPE.ASSY,CONT.VALVE
14	オペ .ASSY,アクセル OPE.ASSY,ACCELERATOR
15	パイピング,ロー PIPING,LOWER
16	ハイセンASSY ELEC.ASSY
17	パイピング,ロー PIPING,LOWER
18	プレートASSY,ネーム PLATE ASSY,NAME
121	コントロール ホックス CONTROL BOX
122	スイッチ ホックス SWITCH BOX

TM-ZF360 41102210360A FRAME/STD,REMOTE-RADIO CONT.,HOOK-IN

Pos No.	Parts No	Parts Name	Qty	Unit	Technical Data
2	(*****)	STOWING BOX (REMOTE CONTROL)	1		
3	(*****)	OPE.ASSY,CONT.VALVE (RADICON)	1		
4	(*****)	OPERATION SYSTEM, ACCELERATOR	1		
5	(*****)	PIPING,LOWER (REMOTO CONT.,NACHI)	1		
6	(*****)	ELEC.ASSY (REMOTE CONTROL,FOR EXPORT)	1		
7	(*****)	PIPING,LOWER (REPLACE FILTER)	1		
8	(*****)	PLATE ASSY,NAME (REMOTE CONTROL)	1		
21	36800581000	CONTROL BOX (REMOTE CONTROL.M2)	1		
22	36802811000	SWITCH BOX (REMOTE CONTROL,20M)	1		

TM-ZF360 41102210360A FRAME/STD,REMOTE-RADIO CONT.,HOOK-IN
PV1010045-00 REMOTE CONTROL

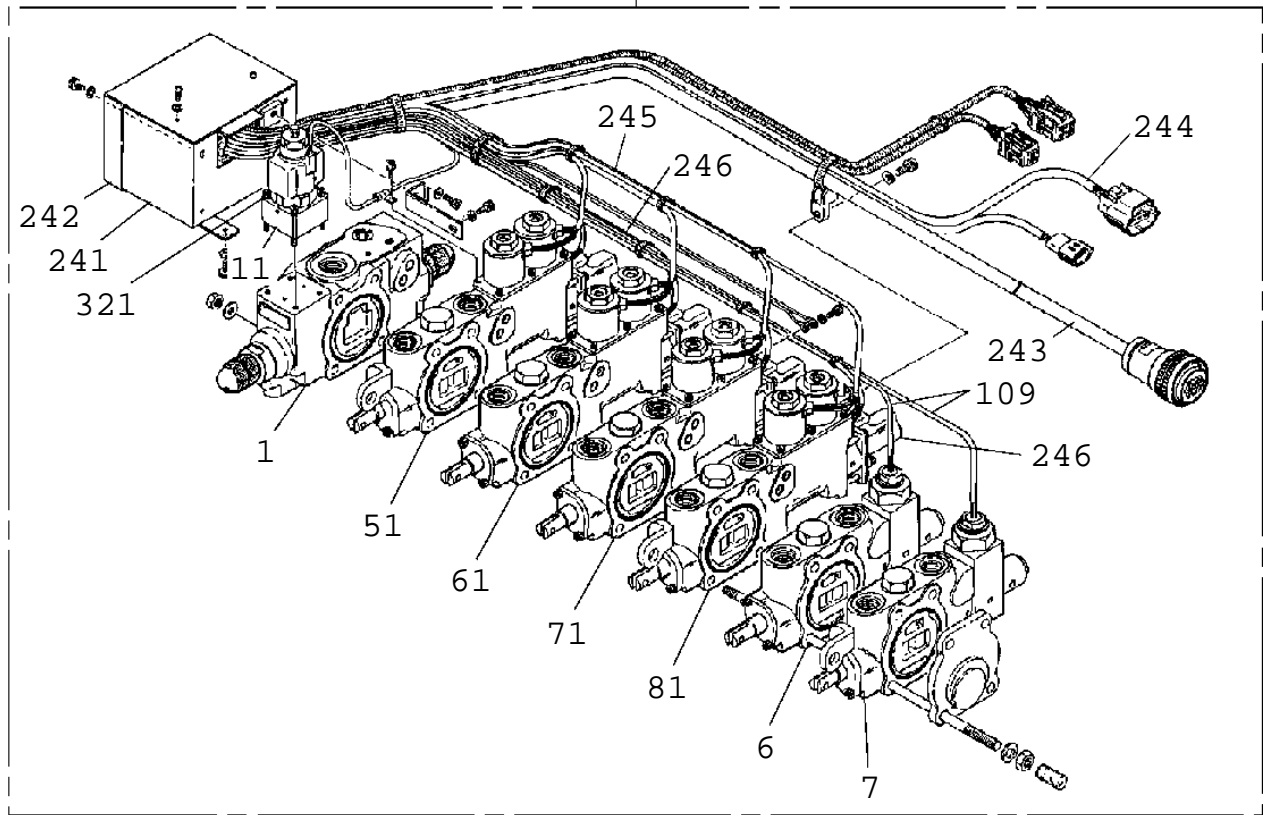
2	ハイセンASSY ELEC.ASSY
3	ホックス ストローイング BOX,STOWING
11	コントロール ユニット CONTROL UNIT
12	スイッチ ホックス SWITCH BOX

TM-ZF360 41102210360A FRAME/STD,REMOTE-RADIO CONT.,HOOK-IN

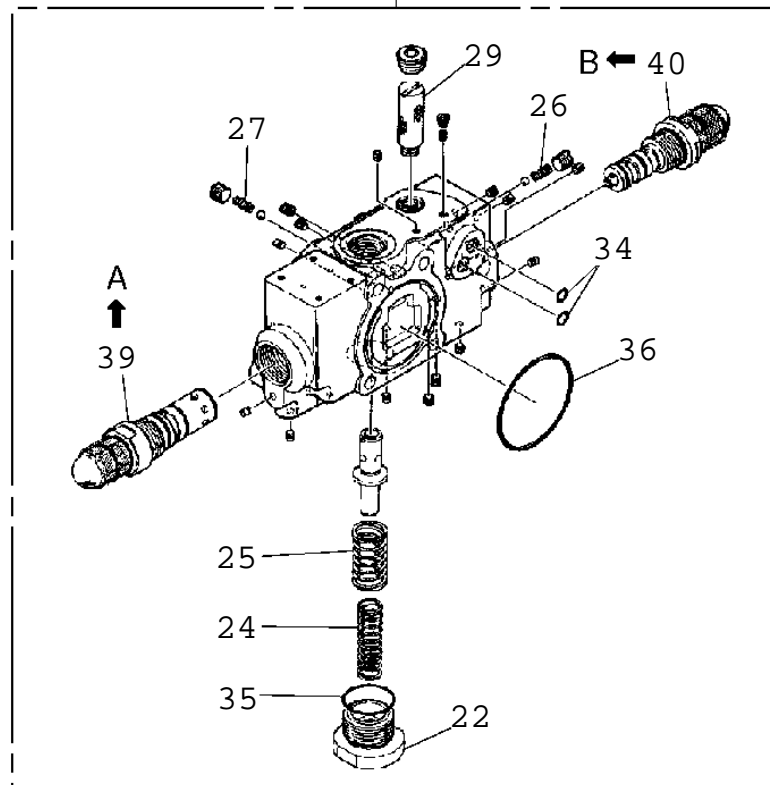
Pos No.	Parts No	Parts Name	Qty	Unit	Technical Data	Serial
2	(*****)	ELEC.ASSY (REMOTE CONTROL)	1			
3	(*****)	STOWING BOX (REMOTE CONTROL)	1			
11	36800581000	CONTROL BOX (REMOTE CONTROL.M2)	1			
	36803781000	CONTROL BOX	1			EP327
12	36800582000	SWITCH BOX (REMOTE CONTROL.M2)	1			

TM-ZF360 41102210360A FRAME/STD,REMOTE-RADIO CONT.,HOOK-IN
PV1020027-05 VALVE,REMOTE CONTROL(NACHI)

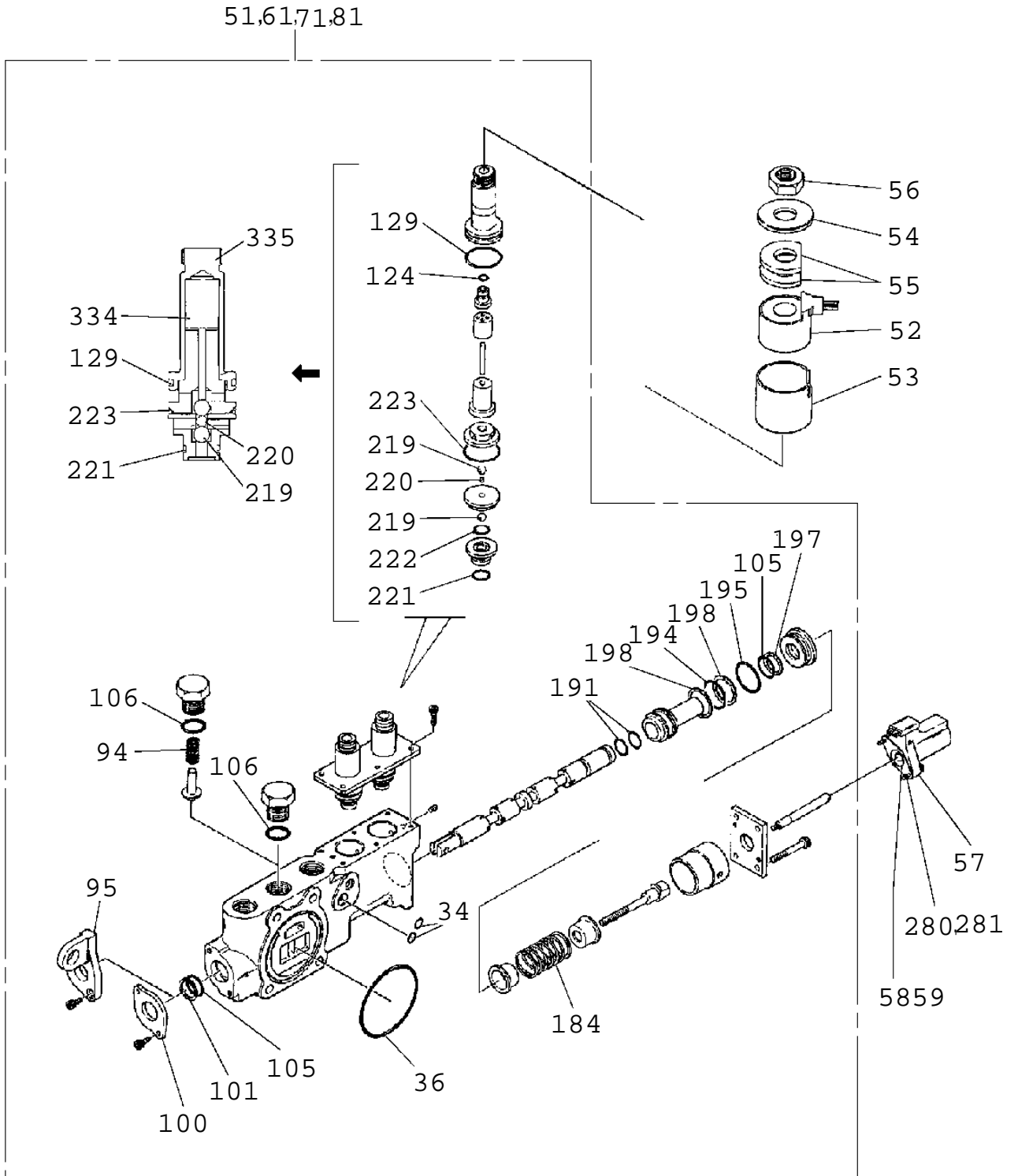
400



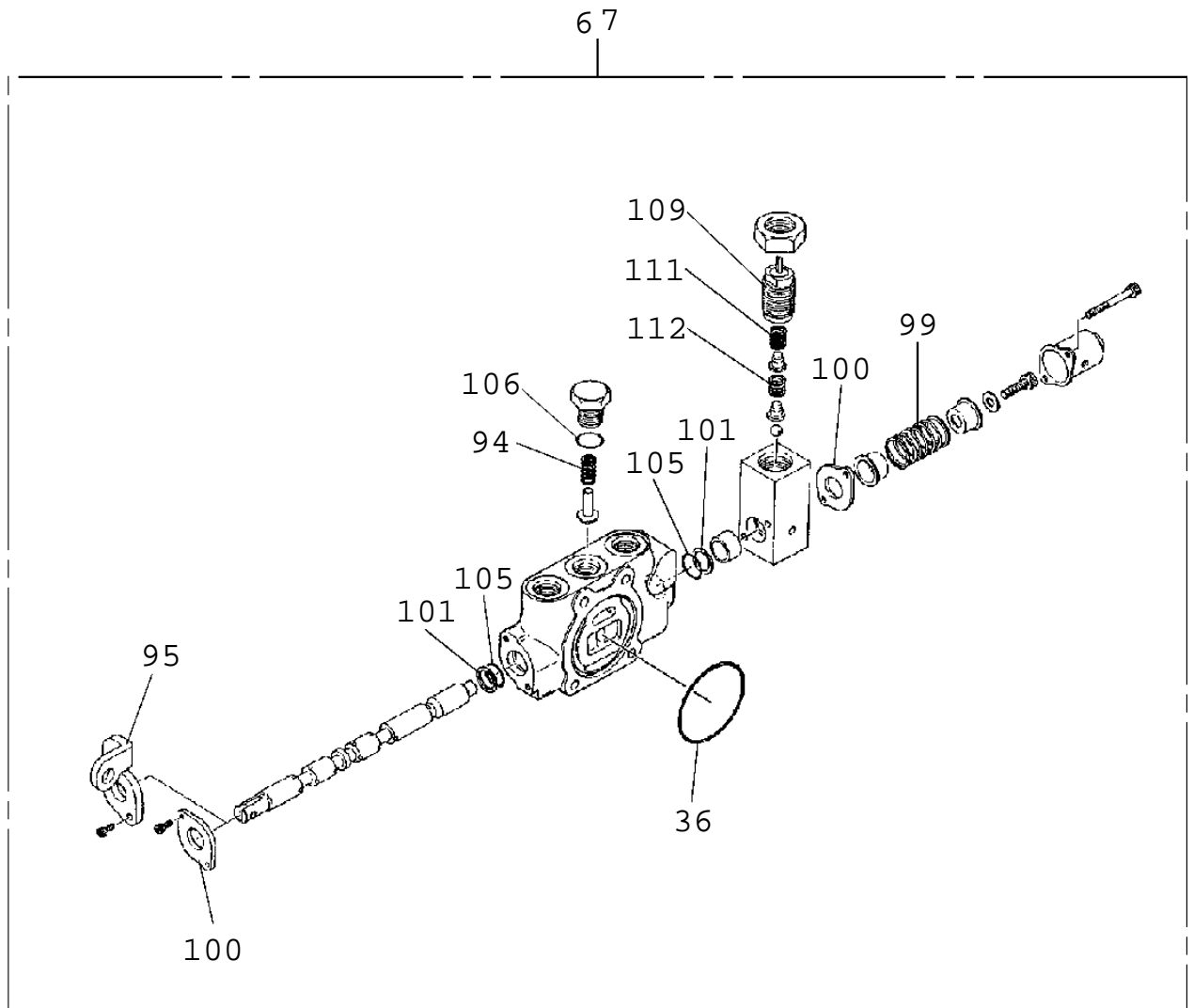
1



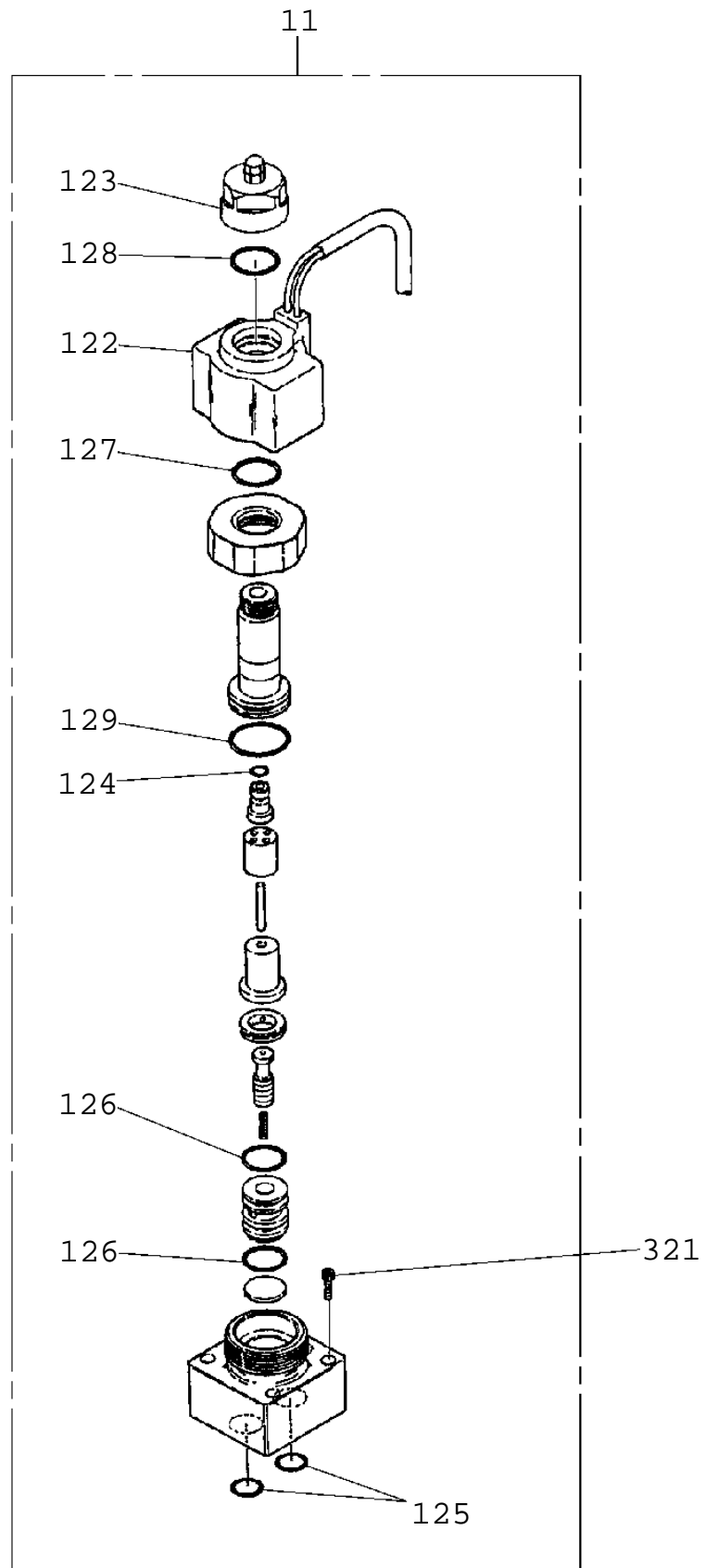
TM-ZF360 41102210360A FRAME/STD,REMOTE-RADIO CONT.,HOOK-IN
PV1020027-05 VALVE,REMOTE CONTROL(NACHI)



TM-ZF360 41102210360A FRAME/STD,REMOTE-RADIO CONT.,HOOK-IN
PV1020027-05 VALVE,REMOTE CONTROL(NACHI)

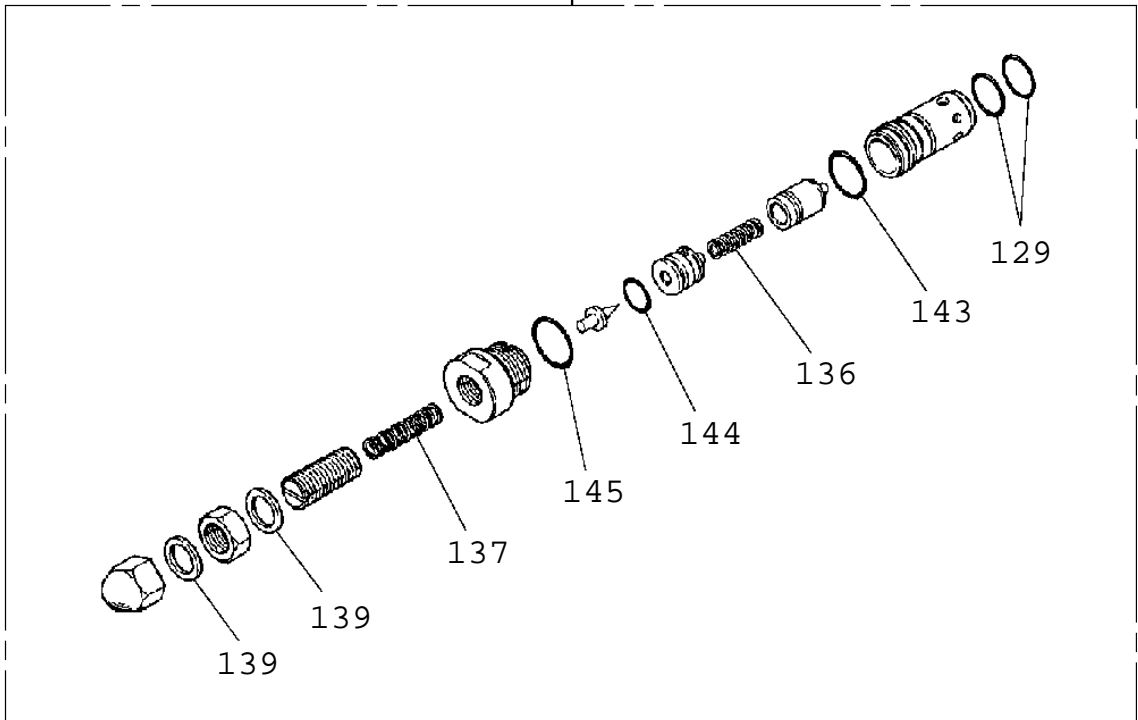


TM-ZF360 41102210360A FRAME/STD,REMOTE-RADIO CONT.,HOOK-IN
PV1020027-05 VALVE,REMOTE CONTROL(NACHI)

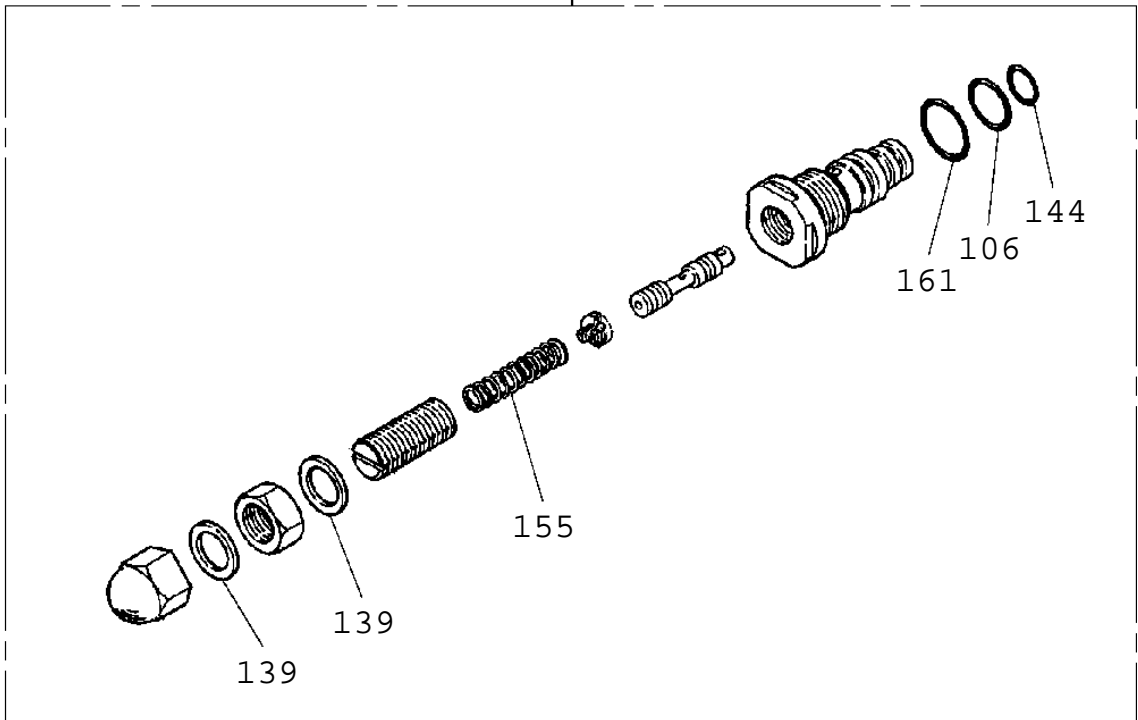


TM-ZF360 41102210360A FRAME/STD,REMOTE-RADIO CONT.,HOOK-IN
PV1020027-05 VALVE,REMOTE CONTROL(NACHI)

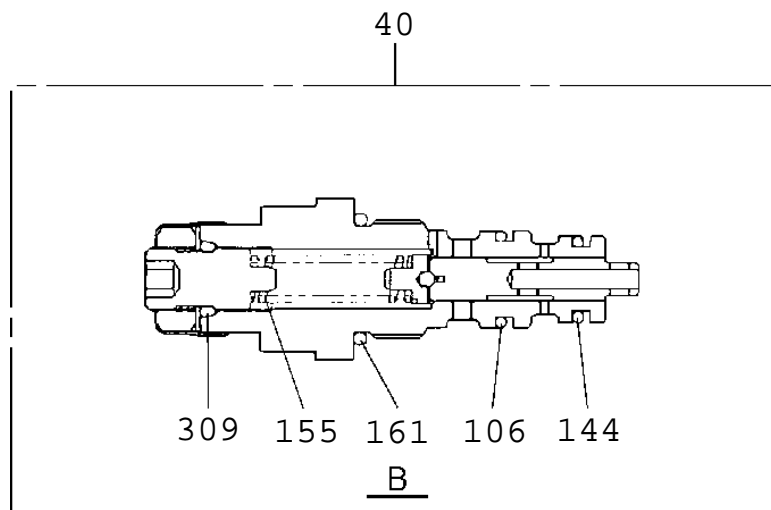
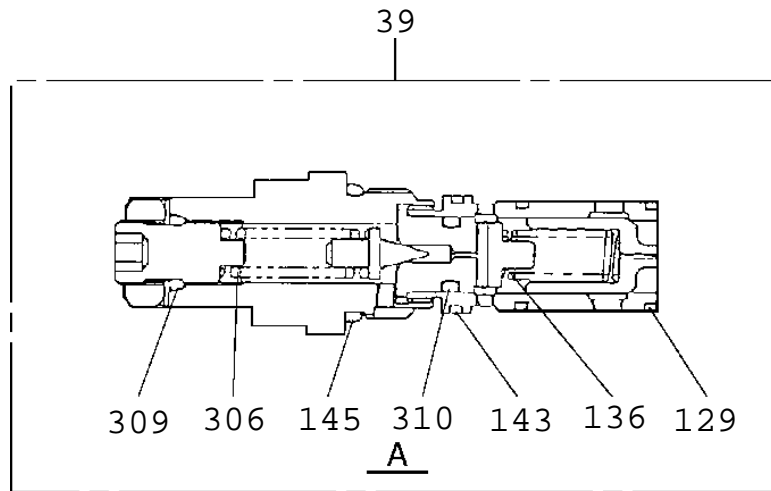
A ← 39



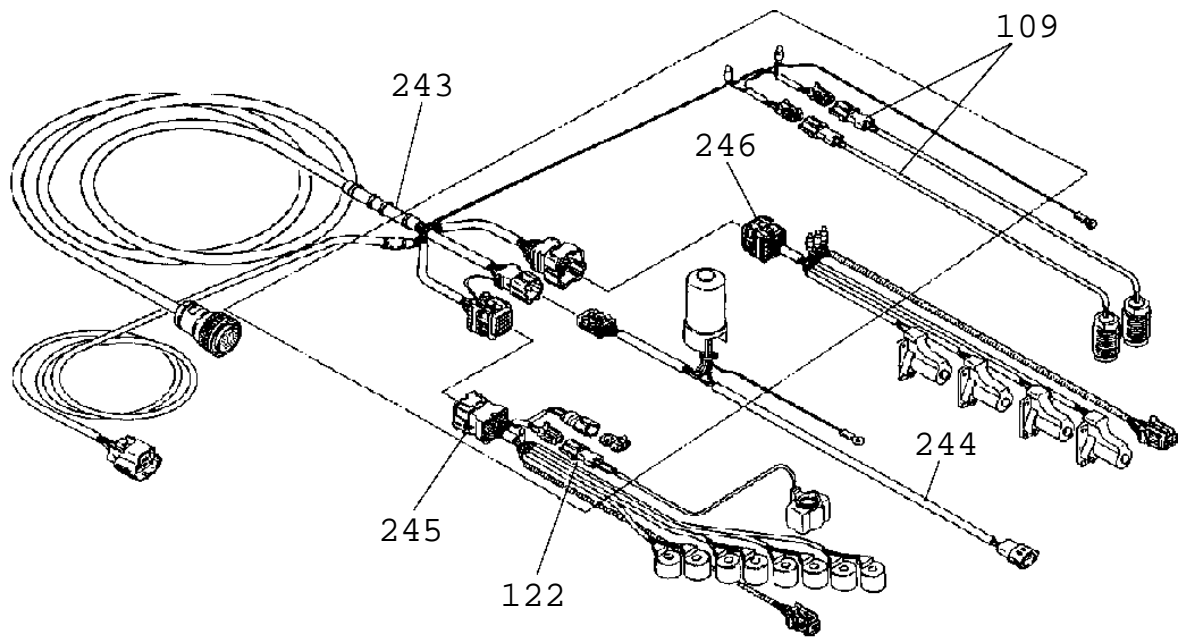
B ← 40



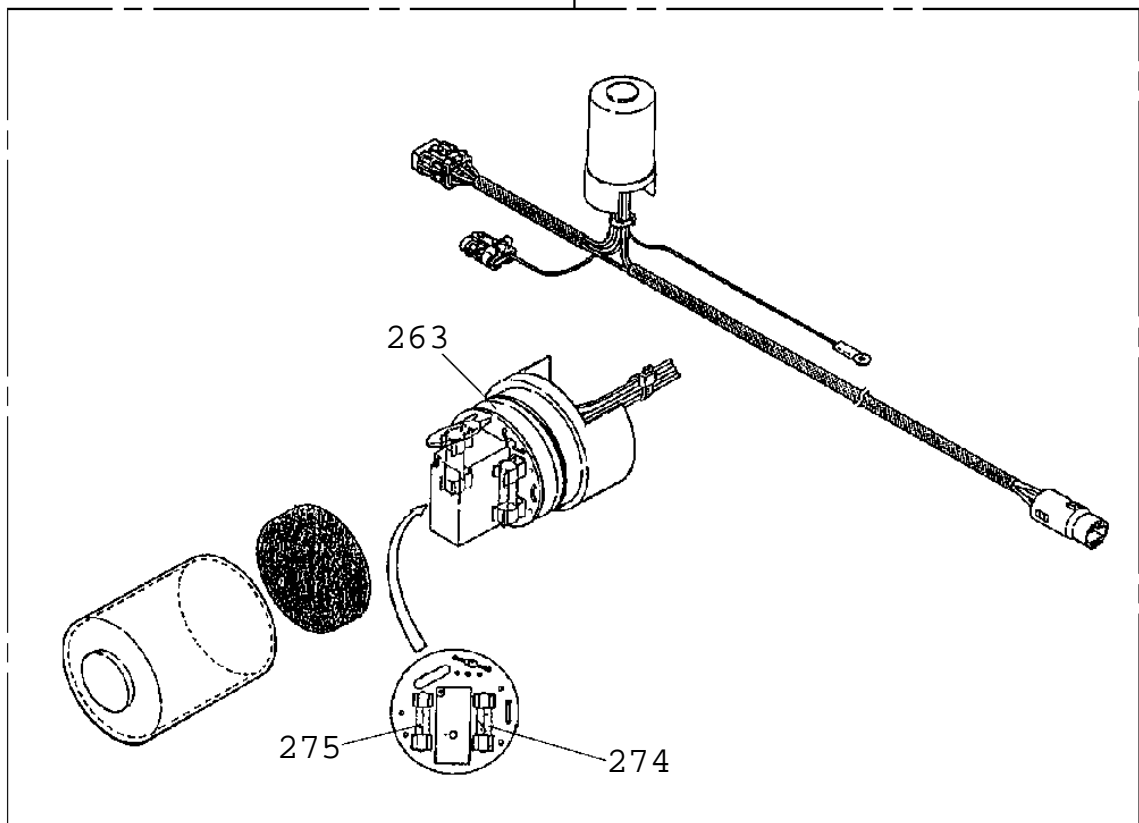
TM-ZF360 41102210360A FRAME/STD,REMOTE-RADIO CONT.,HOOK-IN
PV1020027-05 VALVE,REMOTE CONTROL(NACHI)



TM-ZF360 41102210360A FRAME/STD,REMOTE-RADIO CONT.,HOOK-IN
PV1020027-05 VALVE,REMOTE CONTROL(NACHI)



244



TM-ZF360 41102210360A FRAME/STD,REMOTE-RADIO CONT.,HOOK-IN

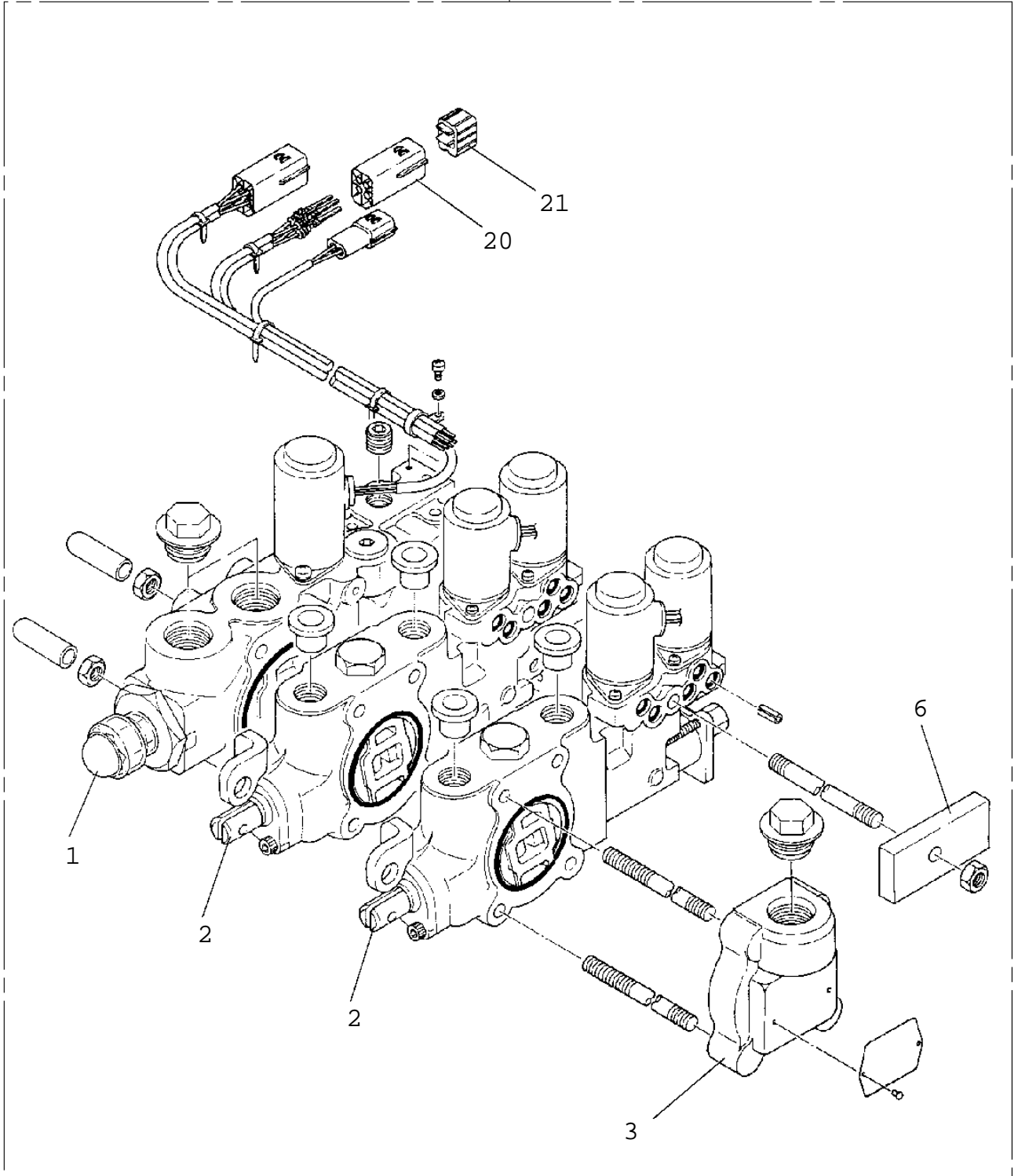
Pos No.	Parts No	Parts Name	Qty	Unit	Technical Data	Ser
1	36644795012	BLOCK,R.G.B.	1			
6	36645155060	BLOCK,VALVE (JACK)	1			
7	36645155071	BLOCK,VALVE (JACK)	1			
11	36643725281	VALVE,SOLENOID	1		28V	
22	36644795100	CAP				
24	36645155090	SPRING (A)	1			
25	36645155100	SPRING (B)	1			
26	36642415120	SPRING (C)	1			
29	36642575030	FILTER	1			
34	91001100600	O-RING	10		1A P6	
35	91002802500	O-RING	1		1B P25	
36	91001205500	O-RING	7		1A G55	
39	36644795031	VALVE,RELIEF	1			
40	36642415151	VALVE,REDUCING	1			
51	36645155112	BLOCK,VALVE (TELESCOPING)	1			
52	36642415250	COIL,SOLENOID (WITHOUT CONNECTOR)	8			
53	36642415230	CASE (COIL)	8			
54	36642415240	YOKE (A)	8			
55	36642415270	YOKE (B)	16			
56	36642415280	NUT	8			
57	36642415290	COIL (LVDT, WITHOUT CONNECTOR)	4			
58	36642415300	SHIM (T=0.5)	8			
59	36642415310	SHIM (T=0.2)	8			
61	36645155122	BLOCK,VALVE (WINCH)	1			
71	36645155131	BLOCK,VALVE (ELEVATING)	1			
81	36645155142	BLOCK,VALVE (SWING)	1			
94	36642415330	SPRING	5			
95	36645605110	PLATE (FULCRUM)	3			
99	36642415340	SPRING	2			
100	36642415320	PLATE	5			
101	36642415220	RING,BACKUP	8			
105	91001101400	O-RING	12		1A P14	
106	91002801400	O-RING	7		1B P14	
109	36645155160	SWITCH ASSY	2			
111	36645155170	SPRING (A)	2			
112	36645155180	SPRING (B)	2			
122	36642415351	COIL KIT (28V.WITH SPRING & O-RING)	1			
123	36643725170	LOCK ASSY	1			
124	36370105600	O-RING	1			
125	91002800800	O-RING	2		1B P8	
126	91000501300	O-RING	2		AS568-013	
127	36643725180	O-RING	1			
128	91001101250	O-RING	1		1B P12.5	
129	91000501700	O-RING	10			
136	36642415160	SPRING	1			
143	91000501800	O-RING	1		ARP568-018	
144	91002801200	O-RING	1		1B P12	
145	91002802200	O-RING	1		1B P22	
155	36647985350	SPRING	1			
161	91002802000	O-RING	1		1B P20	
184	36642415210	SPRING	4			
191	91001101001	O-RING	8		1A P10A	
194	91001102100	O-RING	4		1A P21	
195	91001102200	O-RING	4		1A P22	
197	91411001400	RING,BACKUP	4		P14	
198	91411002100	RING,BACKUP	8		P21	
219	80560055000	BALL,STEEL	14		3/16	
220	36642415260	BALL,STEEL	7			
221	91001000900	O-RING	11		S9	
223	91001001800	O-RING	7		S18	
241	36642415450	BOX	1			
242	36642415360	COVER (BOX)	1			
243	36645155190	CABLE (METAL CONNECTOR)	1			
244	36645155200	BOX ASSY (B6HS,FUSE & RELAY)	1			
245	36645155210	COIL ASSY (C6HS)	1			
246	36645155220	COIL ASSY (LVDT/D6HS)	1			
263	91001003500	O-RING	1		S35	
274	82171101000	FUSE (10A.F-7142 5.2X20>	1			
275	82171100300	FUSE (3A.F-7142 5.2X20>	1			
280	36062605020	BOLT,HEXAGON SOCKET(WITH WASHER)	8		M4X15	
281	36062605030	WASHER	8			
306	36647285390	SPRING	1			
309	91002801000	O-RING	2		1B P10	
310	91002801001	O-RING	1		1B P10A	

TM-ZF360 41102210360A FRAME/STD,REMOTE-RADIO CONT.,HOOK-IN

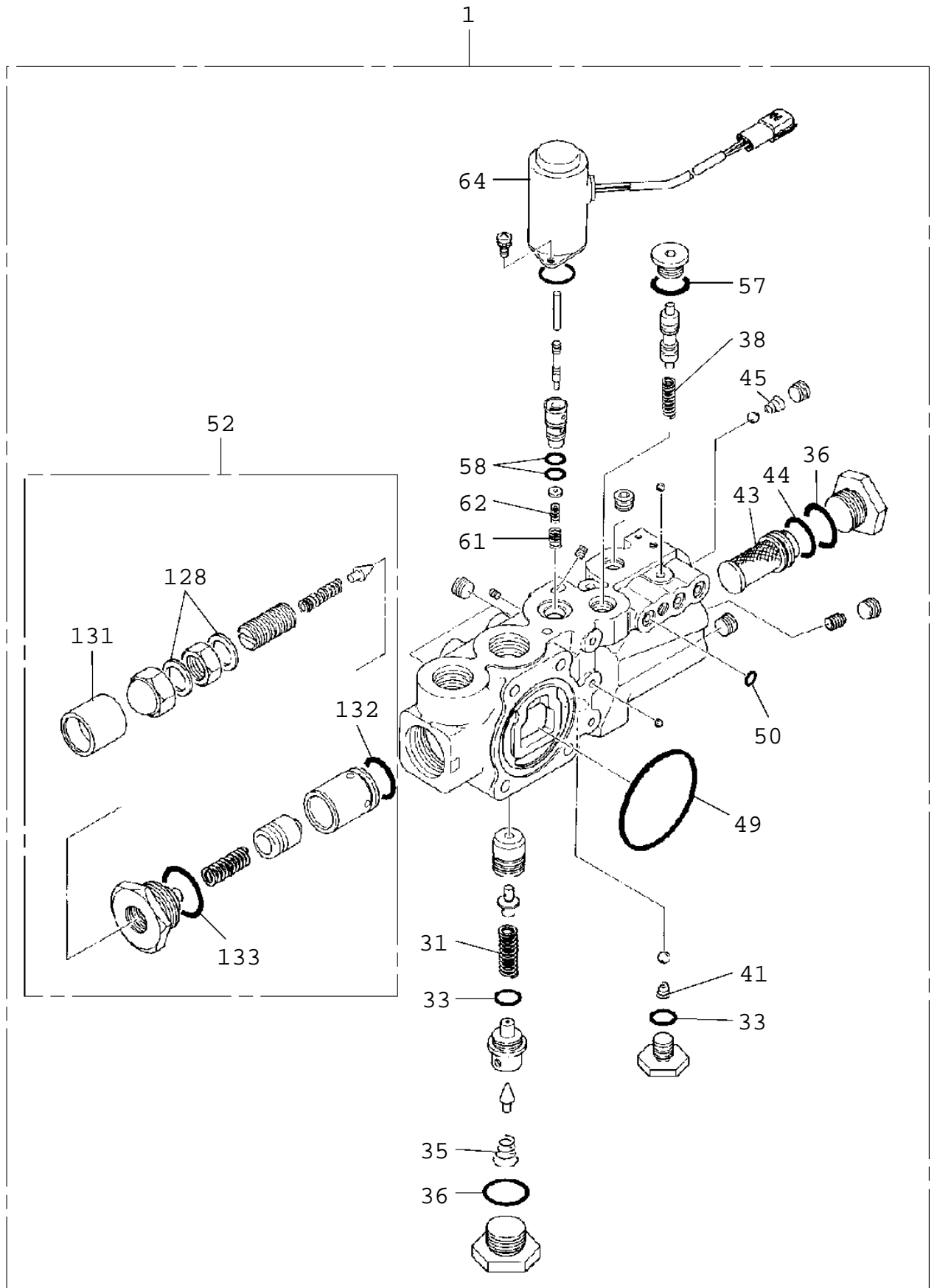
Pos No.	Parts No	Parts Name	Qty	Unit	Technical Data	Ser
321	36646285130	BOLT,HEXAGON SOCKET	4		M4X25	
334	36643725310	PLUNGER	6			
335	36643725320	GUIDE (SOLENOID)	6			
400	36645150000	VALVE,REMOTE CONTROL(NACHI)	1			

TM-ZF360 41102210360A FRAME/STD,REMOTE-RADIO CONT.,HOOK-IN
PV1020078-01 VALVE,REMOTE CONTROL

200

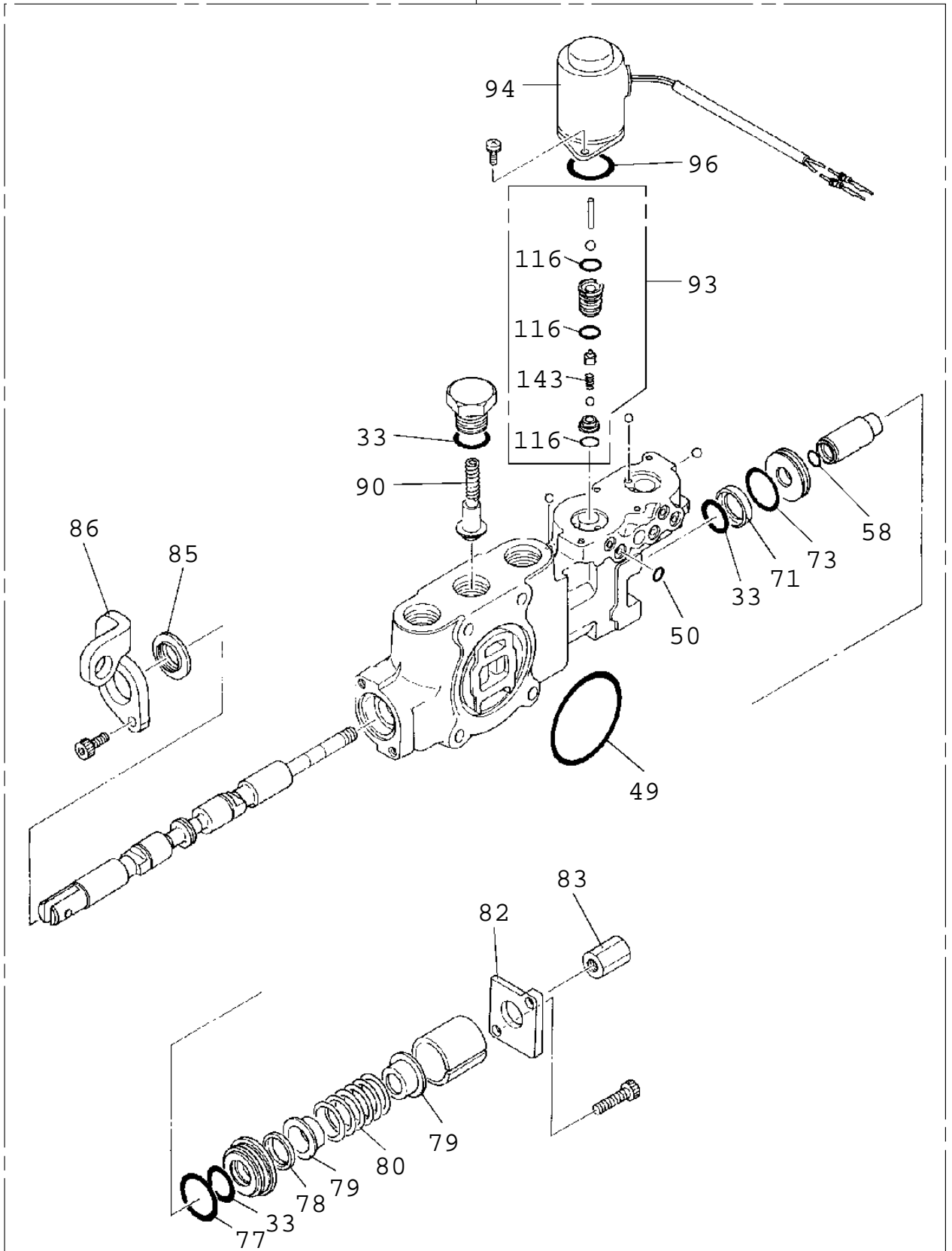


TM-ZF360 41102210360A FRAME/STD,REMOTE-RADIO CONT.,HOOK-IN
PV1020078-01 VALVE,REMOTE CONTROL



TM-ZF360 41102210360A FRAME/STD,REMOTE-RADIO CONT.,HOOK-IN
PV1020078-01 VALVE,REMOTE CONTROL

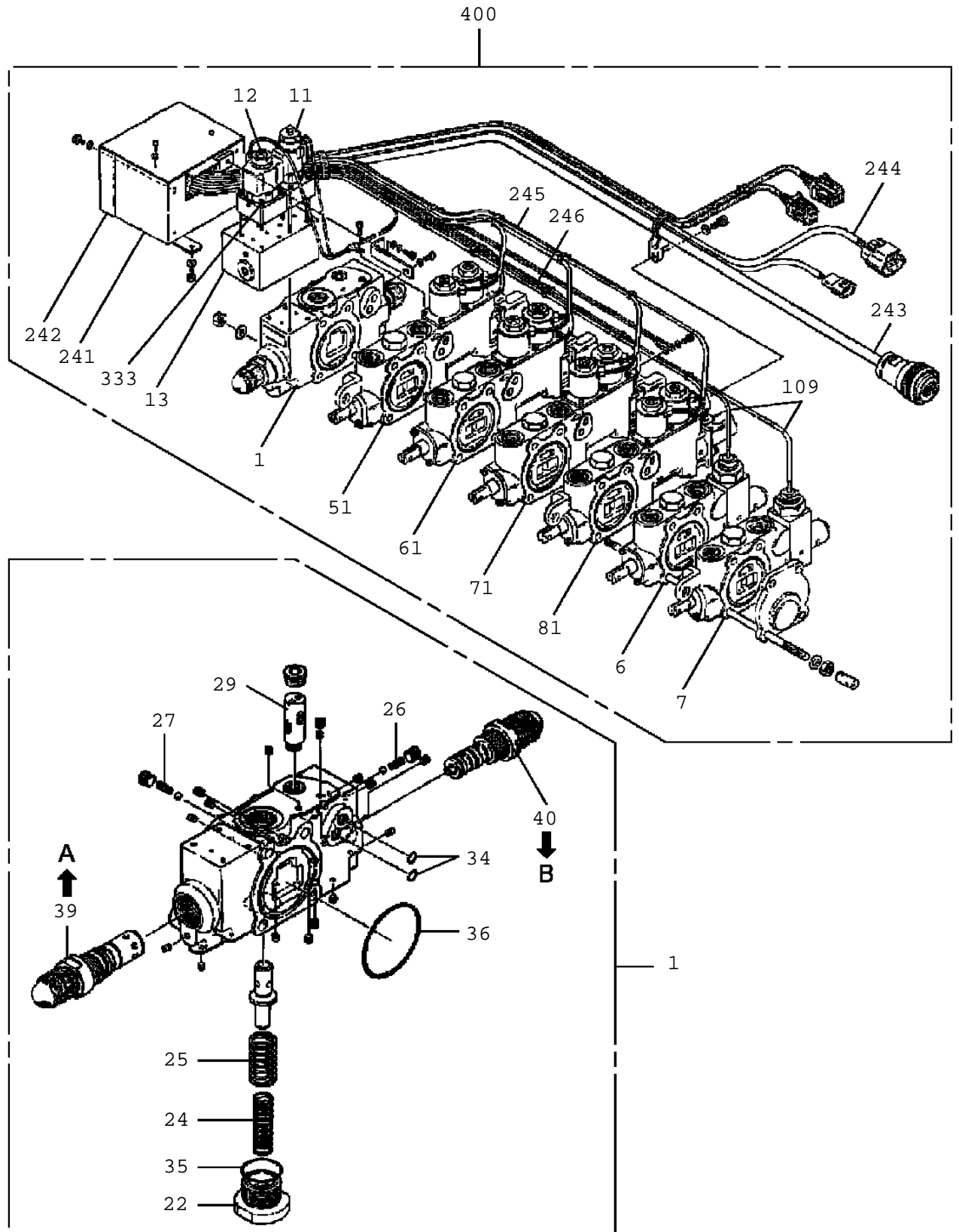
2



TM-ZF360 41102210360A FRAME/STD,REMOTE-RADIO CONT.,HOOK-IN

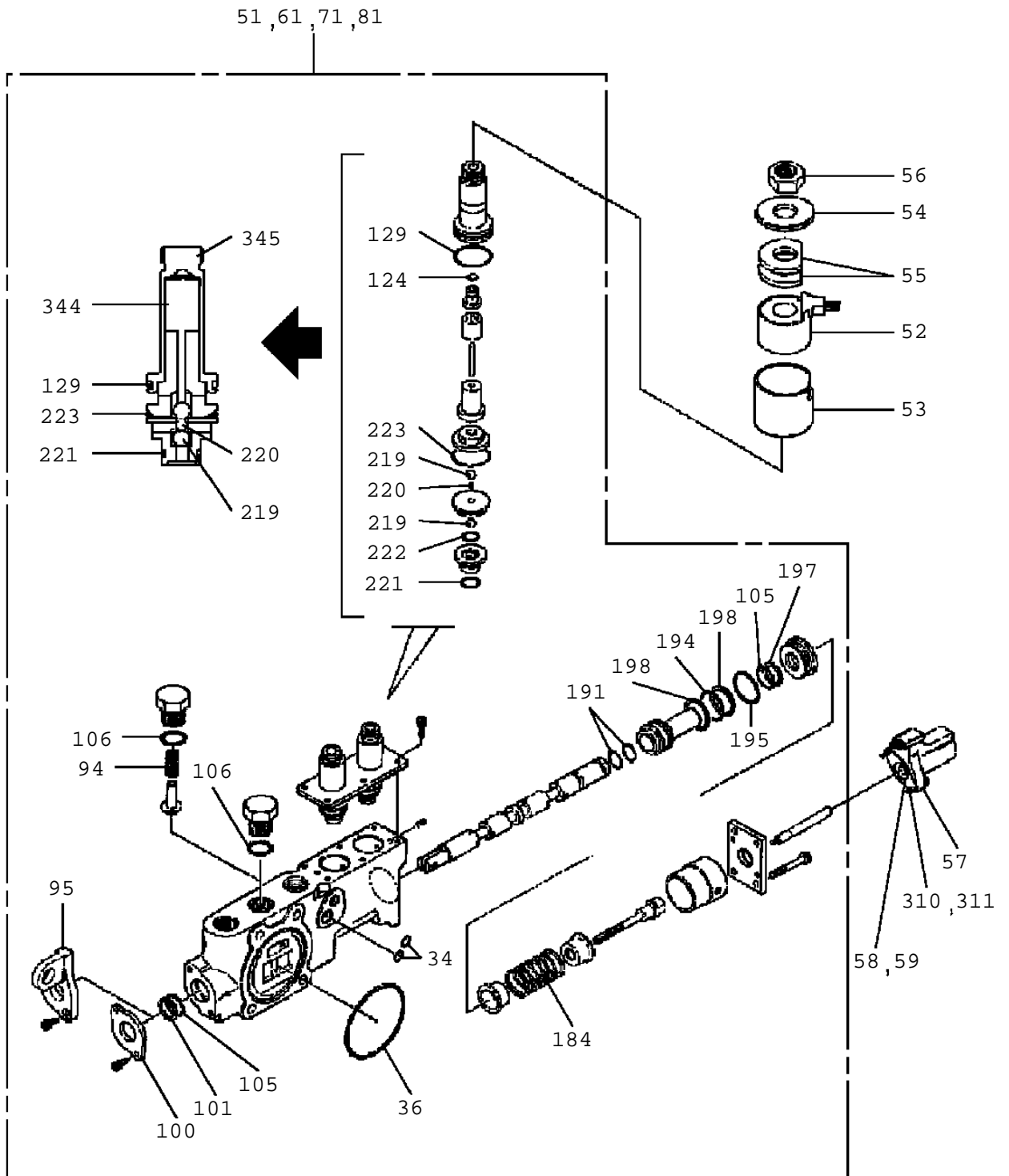
Pos No.	Parts No	Parts Name	Qty	Unit	Technical Data	Serial No (Start)
1	36645875020	COVER ASSY (FRONT)	1			
2	36645875030	VALVE,CONTROL (JACK)	2			
3	36645095040	COVER (BOTTOM)	1			
6	36644835060	COVER	1			
20	82114203040	CONNECTOR (CAP)	2			
21	82121502040	PLATE	2			
31	36645875050	SPRING	1			
33	91001101400	O-RING	8		1A P14	
35	36640625191	SPRING	1			
36	91001002600	O-RING	2		S26	
38	36641075260	SPRING	1			
41	36640625220	SPRING	1			
43	36640625240	FILTER	1			
44	91001001800	O-RING	2		S18	
45	36640625260	SPRING	1			
49	91002905500	O-RING	3		1B G55	
50	91001100600	O-RING	13		1A P6	
52	36645095050	VALVE,RELIEF	1			
57	91001101100	O-RING	1		1A P11	
58	91001000800	O-RING	4		S8	
61	36635735130	SPRING (A)	1			
62	36635735140	SPRING (B)	1			
64	36645875060	VALVE,SOLENOID	1			
71	36640625310	BUSH	2			
73	91001102000	O-RING	2		1A P20	
77	91001002240	O-RING	2		S22.4	
78	91650001400	SCRAPER	2			
79	36645495210	SEAT,SPRING (RETURN)	4			
80	36645845060	SPRING (RETURN)	2			
82	36640625550	PLATE (D)	2			
83	36633365070	ADAPTER	2			
85	36633365100	SEAL,OIL	2			
86	36645845050	LINK	2			
90	12635101190	SPRING	2			
93	36646225040	VALVE,SOLENOID	4			
94	36645875010	SOLENOID ASSY	4			
96	91001002200	O-RING	4		S22	
116	91001000900	O-RING	12		S9	
128	11629431040	PACKING	2			
131	16623320390	TUBE (SEAL)	1			
132	91002802100	O-RING	1		1B P21	
133	91001102600	O-RING	1		1A P26	
143	36646225050	SPRING	4			
200	36645340000	VALVE,REMOTE CONTROL	1			

TM-ZF360 41102210360A FRAME/STD,REMOTE-RADIO CONT.,HOOK-IN
 PV1020097-06 VALVE,REMOTE CONTROL (HOOK-IN,NACHI)

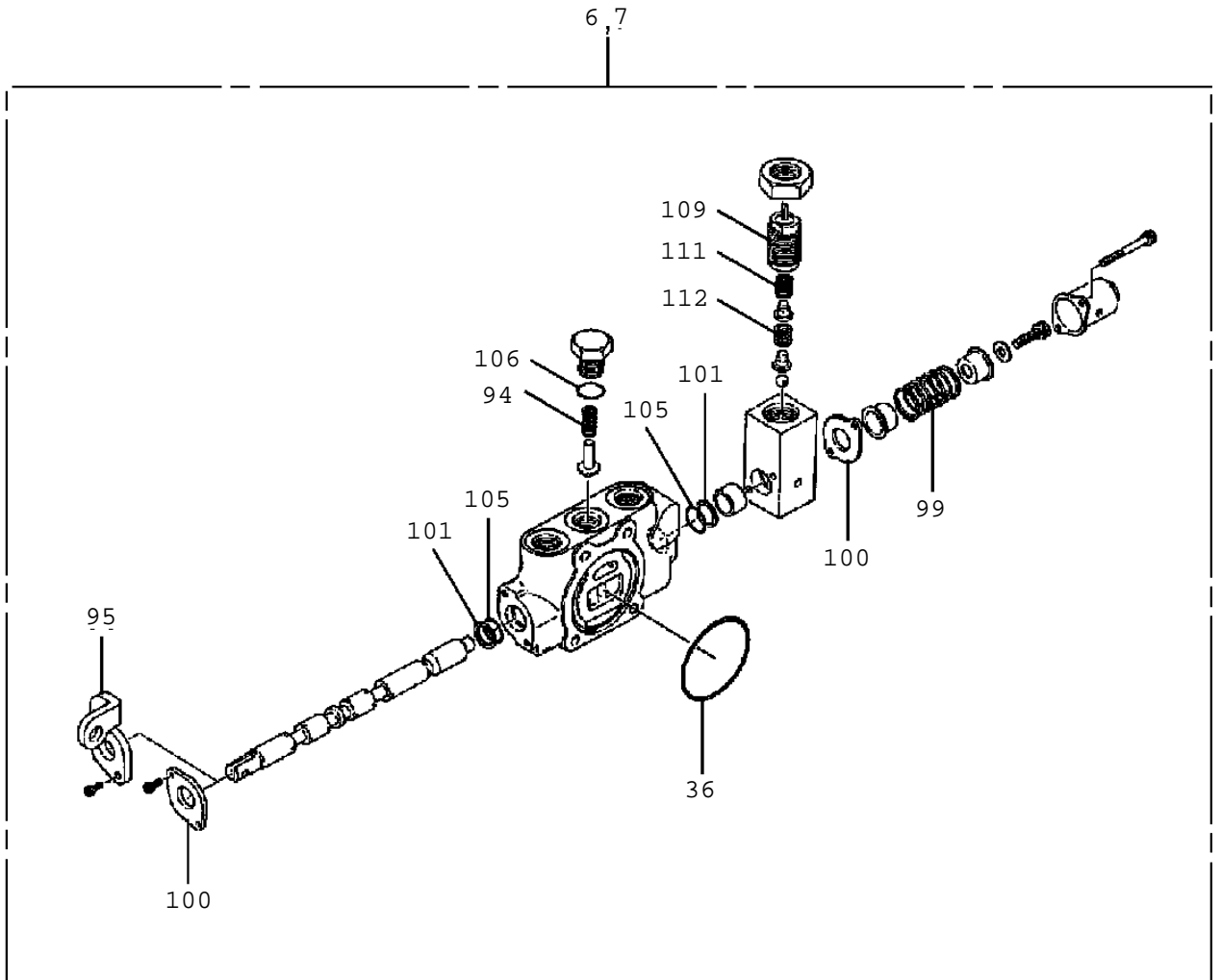


展開図有
 ILLUSTRATED BREAKDOWN NO.6,7,11,12,13,39,40,51,61,71,81,A,B

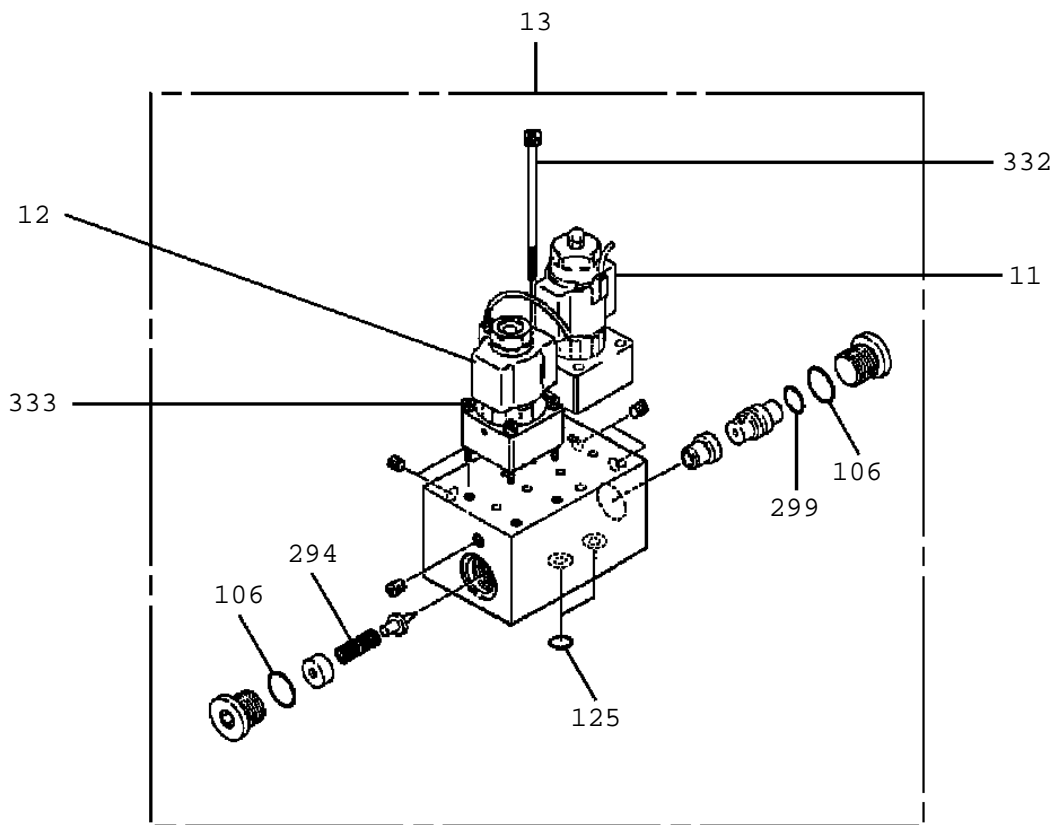
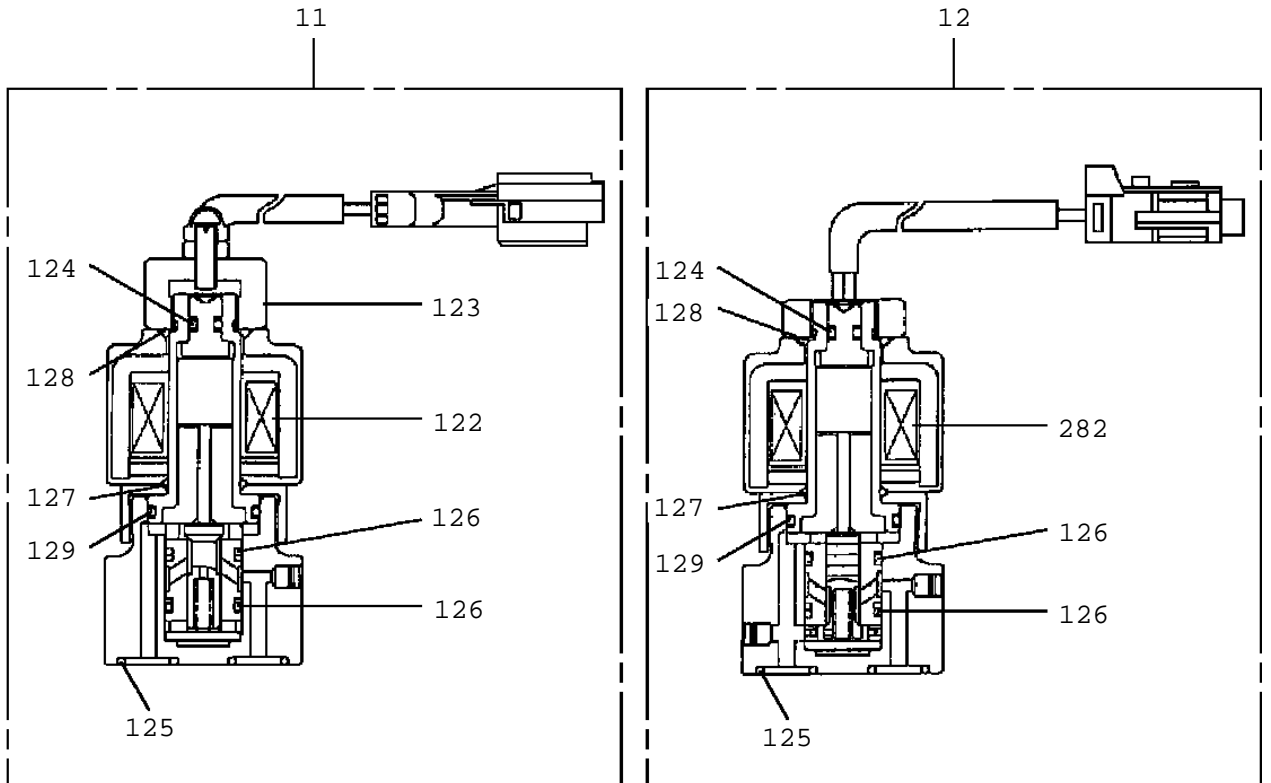
TM-ZF360 41102210360A FRAME/STD,REMOTE-RADIO CONT.,HOOK-IN
 PV1020097-06 VALVE,REMOTE CONTROL (HOOK-IN,NACHI)



TM-ZF360 41102210360A FRAME/STD,REMOTE-RADIO CONT.,HOOK-IN
PV1020097-06 VALVE,REMOTE CONTROL (HOOK-IN,NACHI)

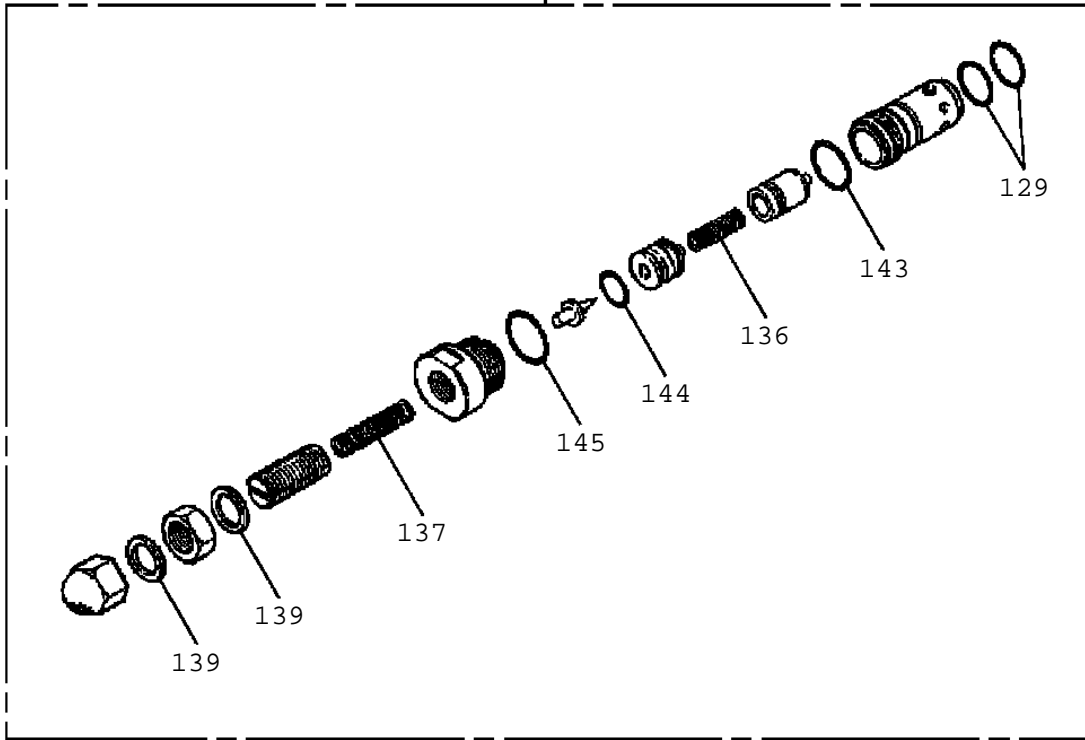


TM-ZF360 41102210360A FRAME/STD,REMOTE-RADIO CONT.,HOOK-IN
PV1020097-06 VALVE,REMOTE CONTROL (HOOK-IN,NACHI)

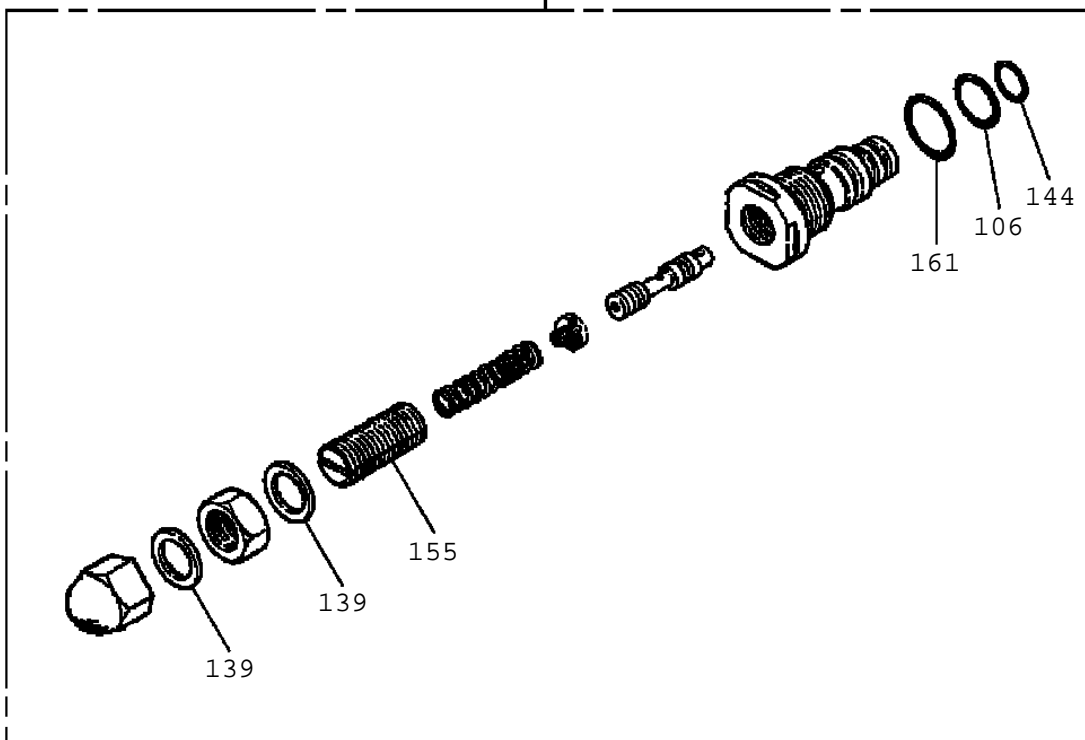


TM-ZF360 41102210360A FRAME/STD,REMOTE-RADIO CONT.,HOOK-IN
PV1020097-06 VALVE,REMOTE CONTROL (HOOK-IN,NACHI)

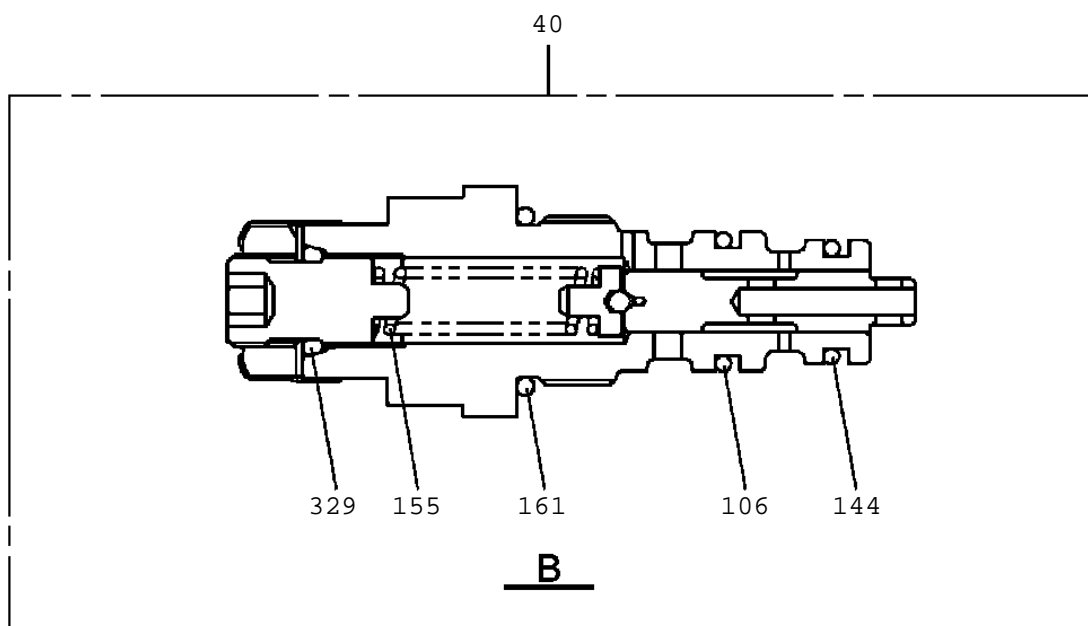
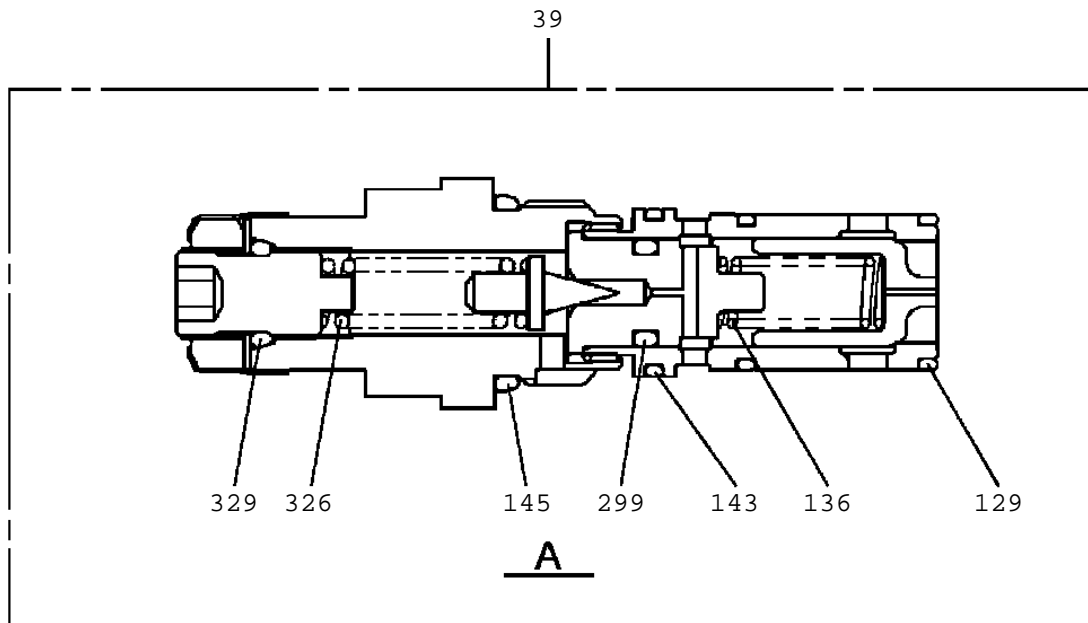
A ← 39



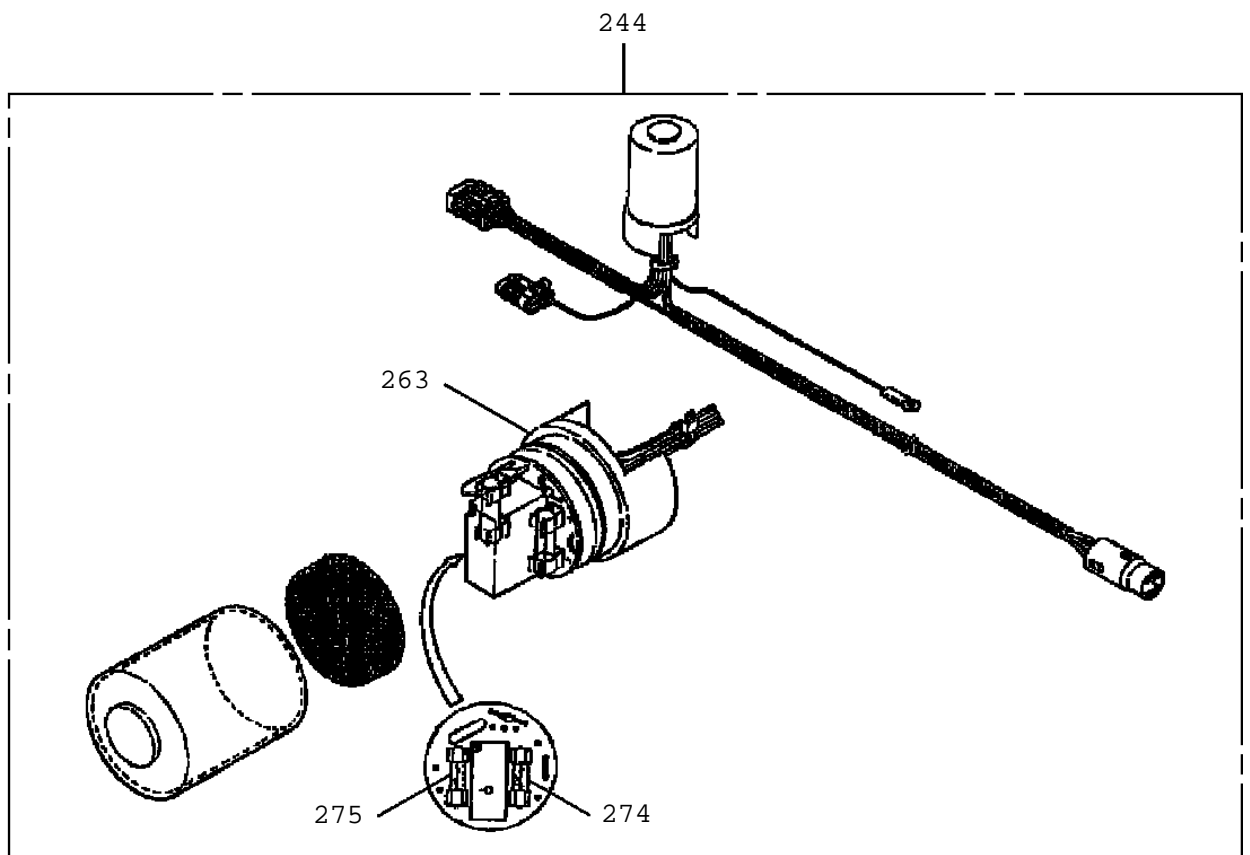
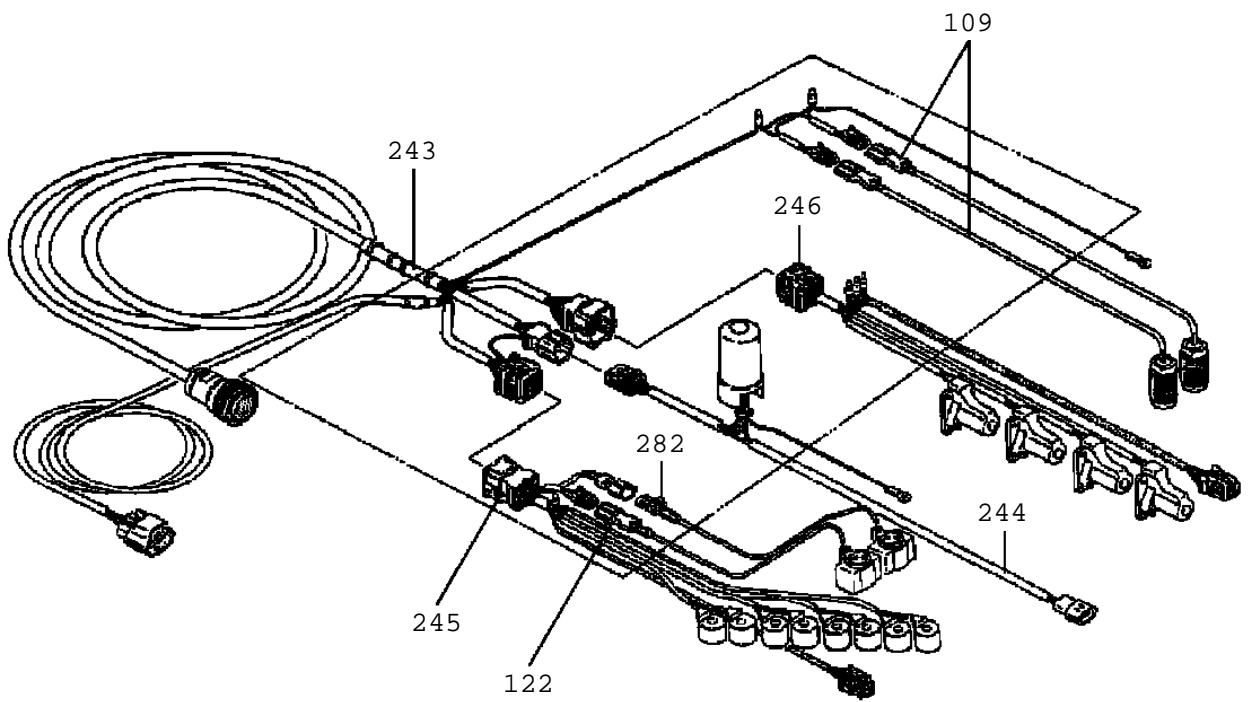
B ← 40



TM-ZF360 41102210360A FRAME/STD,REMOTE-RADIO CONT.,HOOK-IN
PV1020097-06 VALVE,REMOTE CONTROL (HOOK-IN,NACHI)



TM-ZF360 41102210360A FRAME/STD,REMOTE-RADIO CONT.,HOOK-IN
PV1020097-06 VALVE,REMOTE CONTROL (HOOK-IN,NACHI)



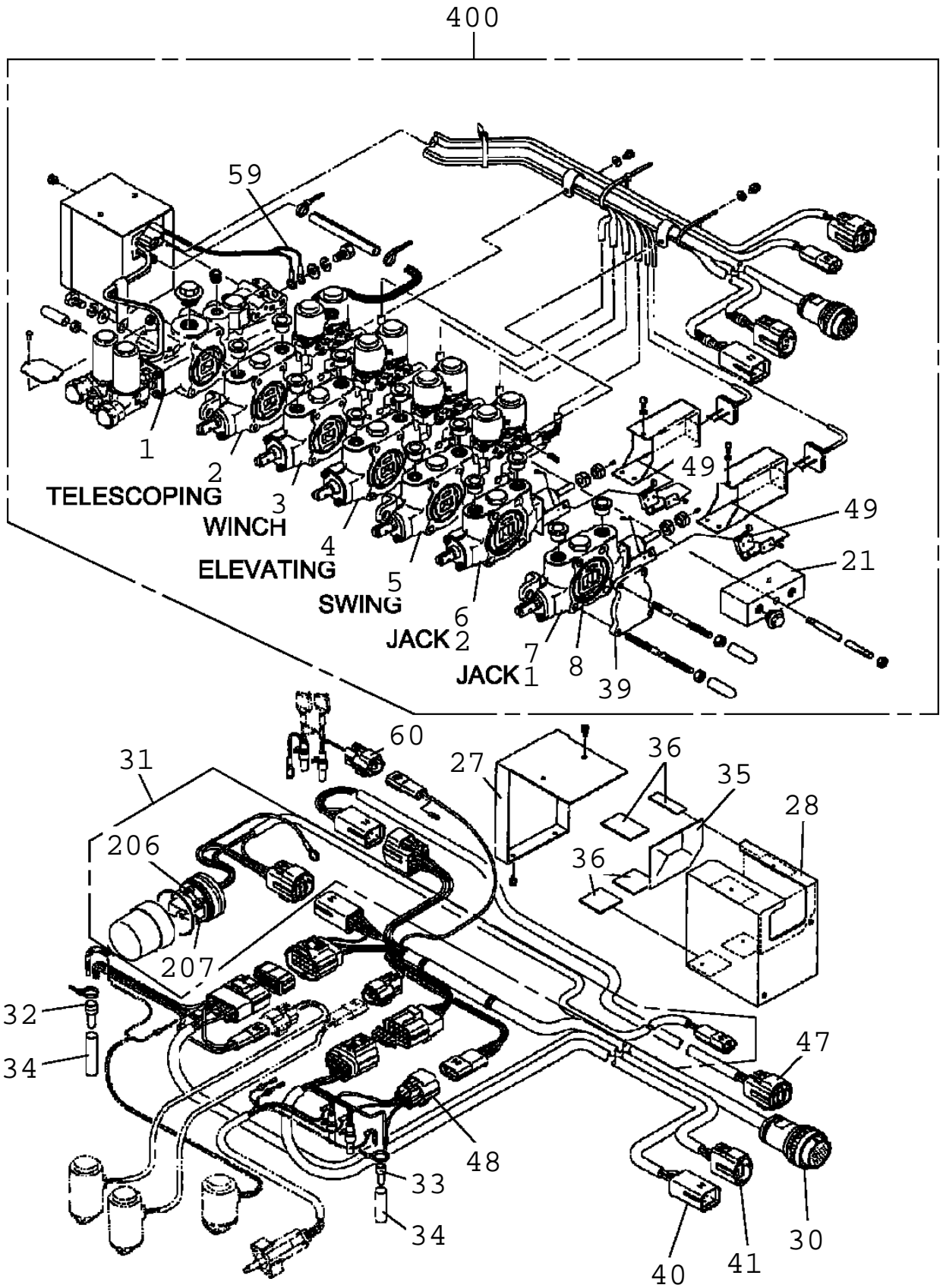
TM-ZF360 41102210360A FRAME/STD,REMOTE-RADIO CONT.,HOOK-IN

Pos No.	Parts No	Parts Name	Qty	Unit	Technical Data	Se
1	36644795012	BLOCK,R.G.B.	1			
6	36645155060	BLOCK,VALVE (JACK)	1			
7	36645155071	BLOCK,VALVE (JACK)	1			
11	36643725281	VALVE,SOLENOID	1		28V	
12	36643725291	VALVE,SOLENOID (FOR HOOK-IN)	1			
13	36644795021	BLOCK ASSY (RELIEF)	1			
22	36644795100	CAP				
24	36645155090	SPRING (A)	1			
25	36645155100	SPRING (B)	1			
26	36642415120	SPRING (C)	1			
29	36642575030	FILTER	1			
34	91001100600	O-RING	10		1A P6	
35	91002802500	O-RING	1		1B P25	
36	91001205500	O-RING	7		1A G55	
39	36644795031	VALVE,RELIEF	1			
40	36642415151	VALVE,REDUCING	1			
51	36645155112	BLOCK,VALVE (TELESCOPING)	1			
52	36642415250	COIL,SOLENOID (WITHOUT CONNECTOR)	8			
53	36642415230	CASE (COIL)	8			
54	36642415240	YOKE (A)	8			
55	36642415270	YOKE (B)	16			
56	36642415280	NUT	8			
57	36642415290	COIL (LVDT, WITHOUT CONNECTOR)	4			
58	36642415300	SHIM (T=0.5)	8			
59	36642415310	SHIM (T=0.2)	8			
61	36645155122	BLOCK,VALVE (WINCH)	1			
71	36645155131	BLOCK,VALVE (ELEVATING)	1			
81	36645155142	BLOCK,VALVE (SWING)	1			
94	36642415330	SPRING	5			
95	36645605110	PLATE (FULCRUM)	3			
99	36642415340	SPRING	2			
100	36642415320	PLATE	5			
101	36642415220	RING,BACKUP	8			
105	91001101400	O-RING	12		1A P14	
106	91002801400	O-RING	9		1B P14	
109	36645155160	SWITCH ASSY	2			
111	36645155170	SPRING (A)	2			
112	36645155180	SPRING (B)	2			
122	36642415351	COIL KIT (28V.WITH SPRING & O-RING)	1			
123	36643725170	LOCK ASSY	1			
124	36370105600	O-RING	2			
125	91002800800	O-RING	6		1B P8	
126	91000501300	O-RING	4		AS568-013	
127	36643725180	O-RING	2			
128	91001101250	O-RING	2		1B P12.5	
129	91000501700	O-RING	11			
136	36642415160	SPRING	1			
143	91000501800	O-RING	1		ARP568-018	
144	91002801200	O-RING	1		1B P12	
145	91002802200	O-RING	1		1B P22	
155	36647985350	SPRING	1			
161	91002802000	O-RING	1		1B P20	
184	36642415210	SPRING	4			
191	91001101001	O-RING	8		1A P10A	
194	91001102100	O-RING	4		1A P21	
195	91001102200	O-RING	4		1A P22	
197	91411001400	RING,BACKUP	4		P14	
198	91411002100	RING,BACKUP	8		P21	
219	80560055000	BALL,STEEL	14		3/16	
220	36642415260	BALL,STEEL	7			
221	91001000900	O-RING	11		S9	
223	91001001800	O-RING	7		S18	
241	36642415450	BOX	1			
242	36642415360	COVER (BOX)	1			
243	36645155190	CABLE (METAL CONNECTOR)	1			
244	36645155200	BOX ASSY (B6HS,FUSE & RELAY)	1			
245	36645155210	COIL ASSY (C6HS)	1			
246	36645155220	COIL ASSY (LVDT/D6HS)	1			
263	91001003500	O-RING	1		S35	
274	82171101000	FUSE (10A.F-7142 5.2X20>	1			
275	82171100300	FUSE (3A.F-7142 5.2X20>	1			
282	36643725300	COIL,SOLENOID (WITH CONNECTOR)	1			
294	36644795041	SPRING	1			
299	91002801001	O-RING	2		1B P10A	

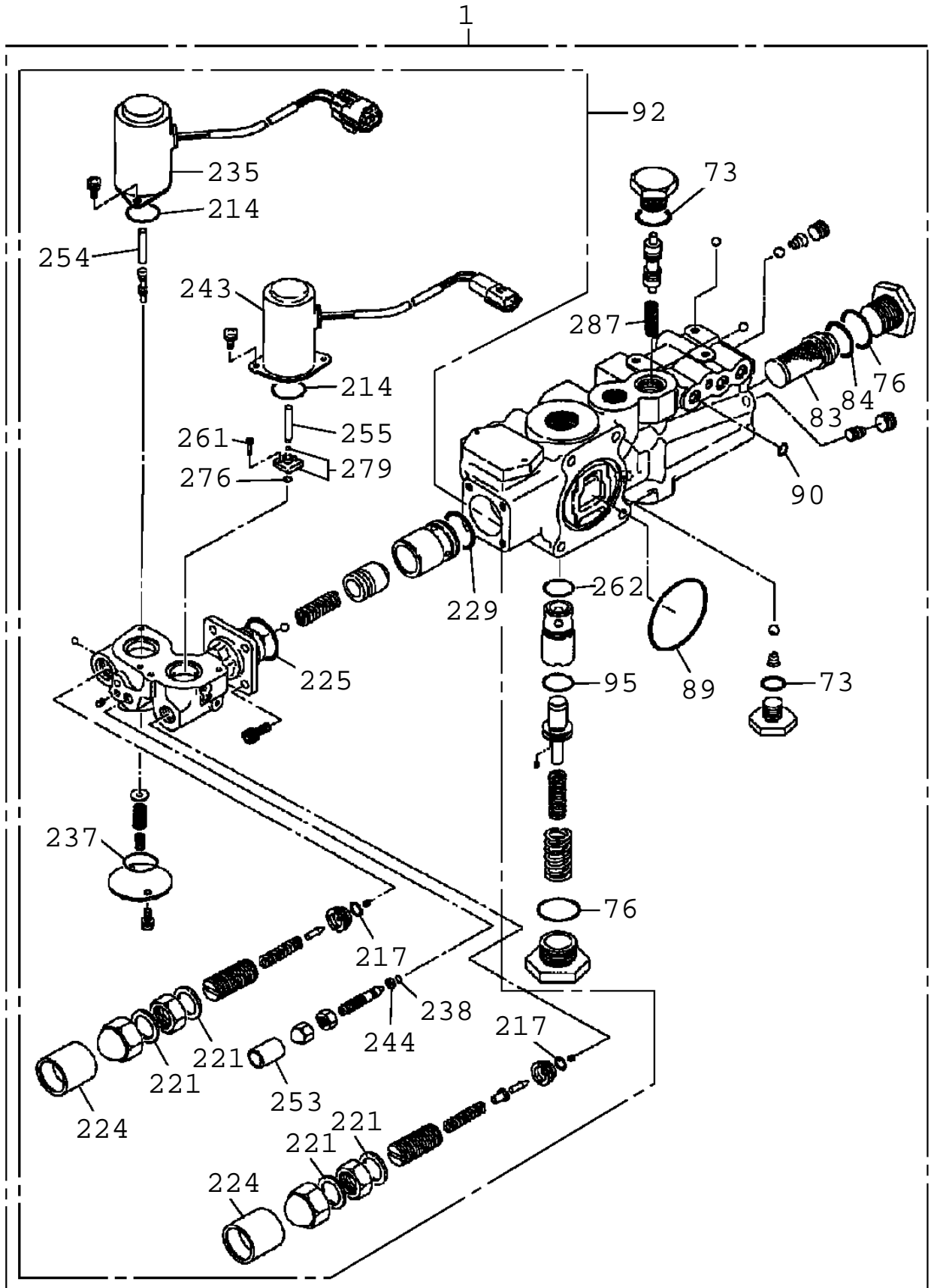
TM-ZF360 41102210360A FRAME/STD,REMOTE-RADIO CONT.,HOOK-IN

Pos No.	Parts No	Parts Name	Qty	Unit	Technical Data	Se
310	36062605020	BOLT,HEXAGON SOCKET(WITH WASHER)	8		M4X15	
311	36062605030	WASHER	8			
326	36647285390	SPRING	1			
329	91002801000	O-RING	2		1B P10	
332	36644795050	BOLT,HEXAGON SOCKET	4		M4X75	
333	36646285130	BOLT,HEXAGON SOCKET	4		M4X25	
344	36643725310	PLUNGER	6			
345	36643725320	GUIDE (SOLENOID)	6			
400	36644790000	VALVE,REMOTE CONTROL (HOOK-IN,NACHI)	1			

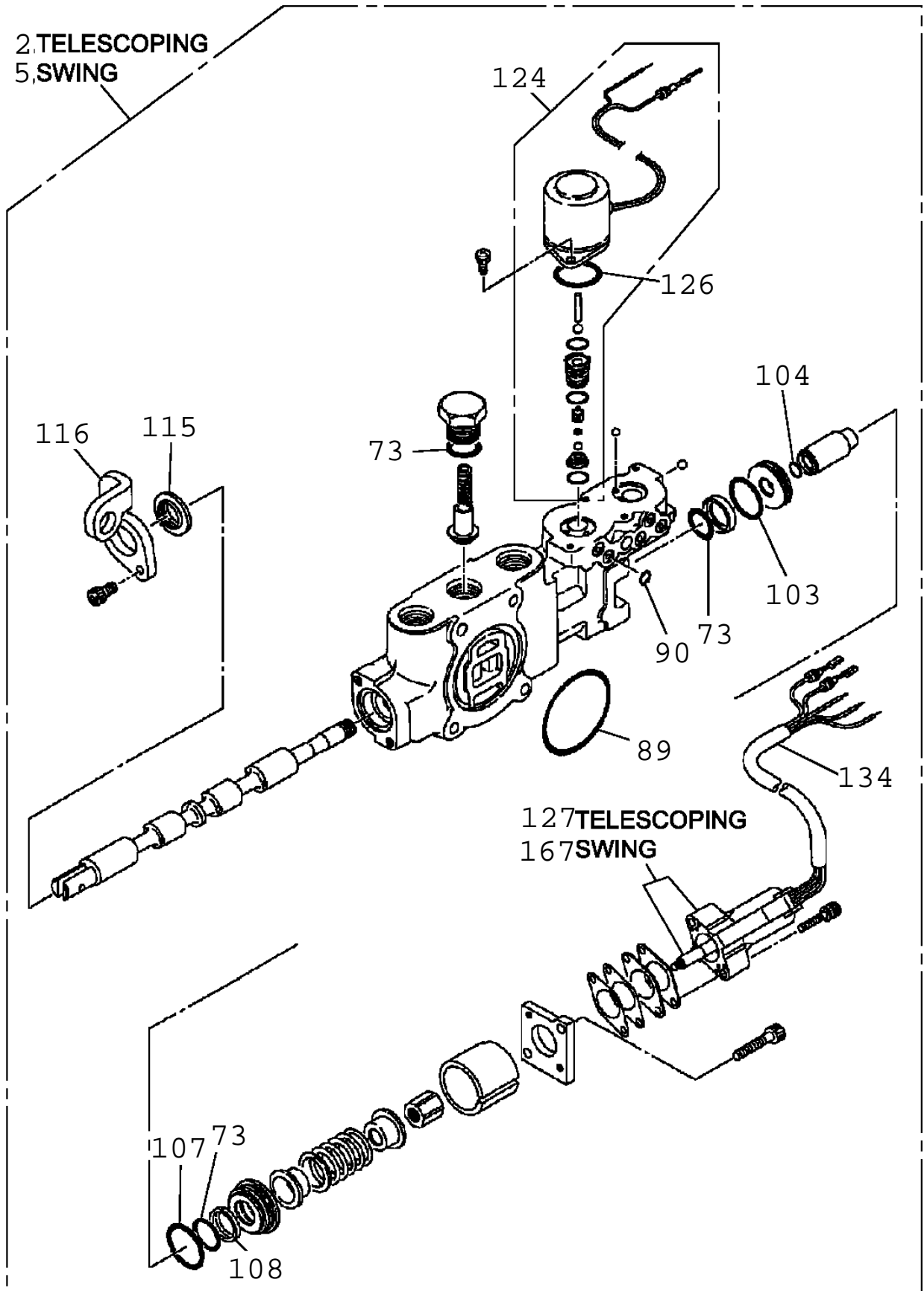
TM-ZF360 41102210360A FRAME/STD,REMOTE-RADIO CONT.,HOOK-IN
PV1020106-04 VALVE,REMOTE CONTROL (SANWA)



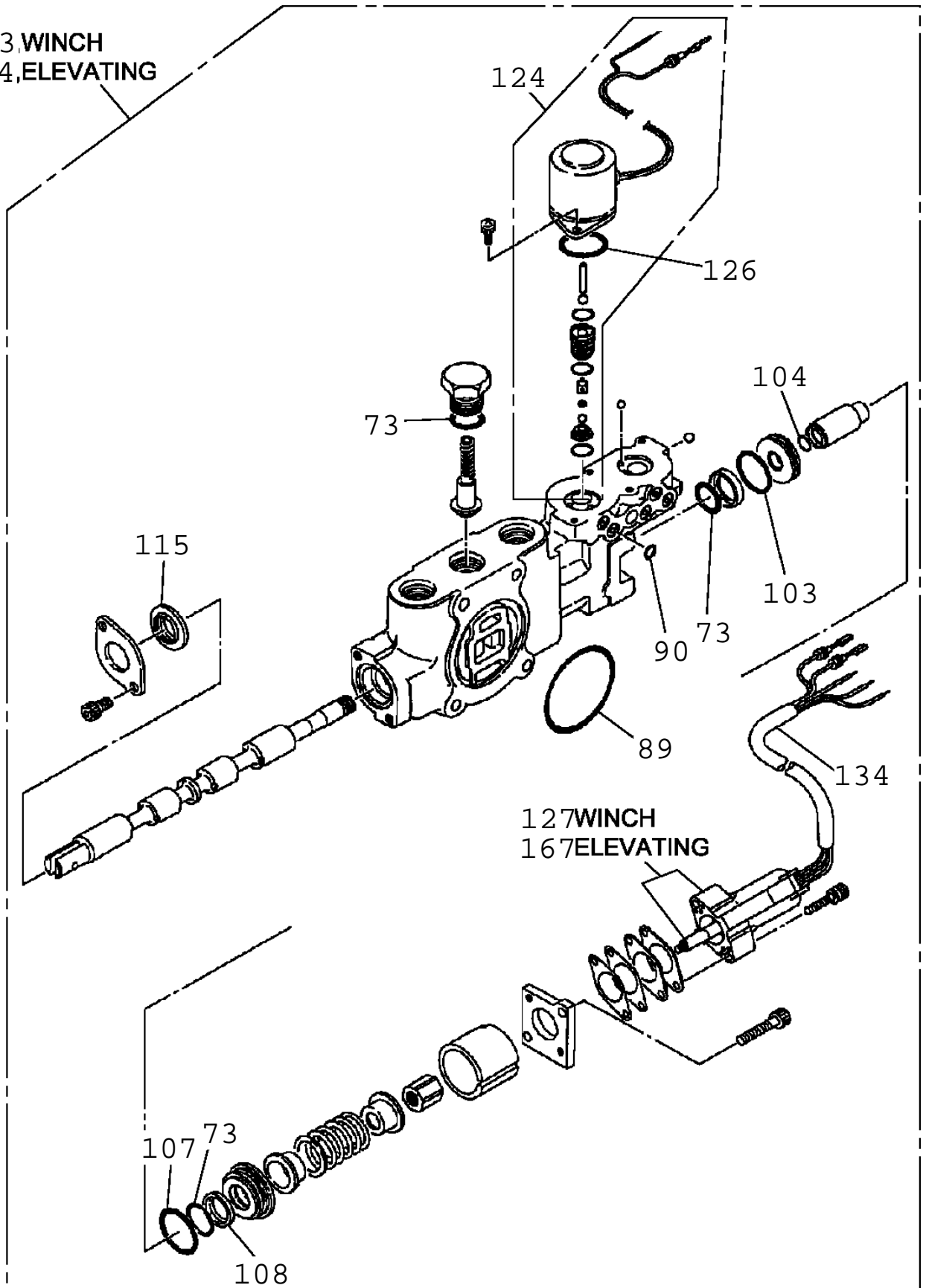
TM-ZF360 41102210360A FRAME/STD,REMOTE-RADIO CONT.,HOOK-IN
PV1020106-04 VALVE,REMOTE CONTROL (SANWA)



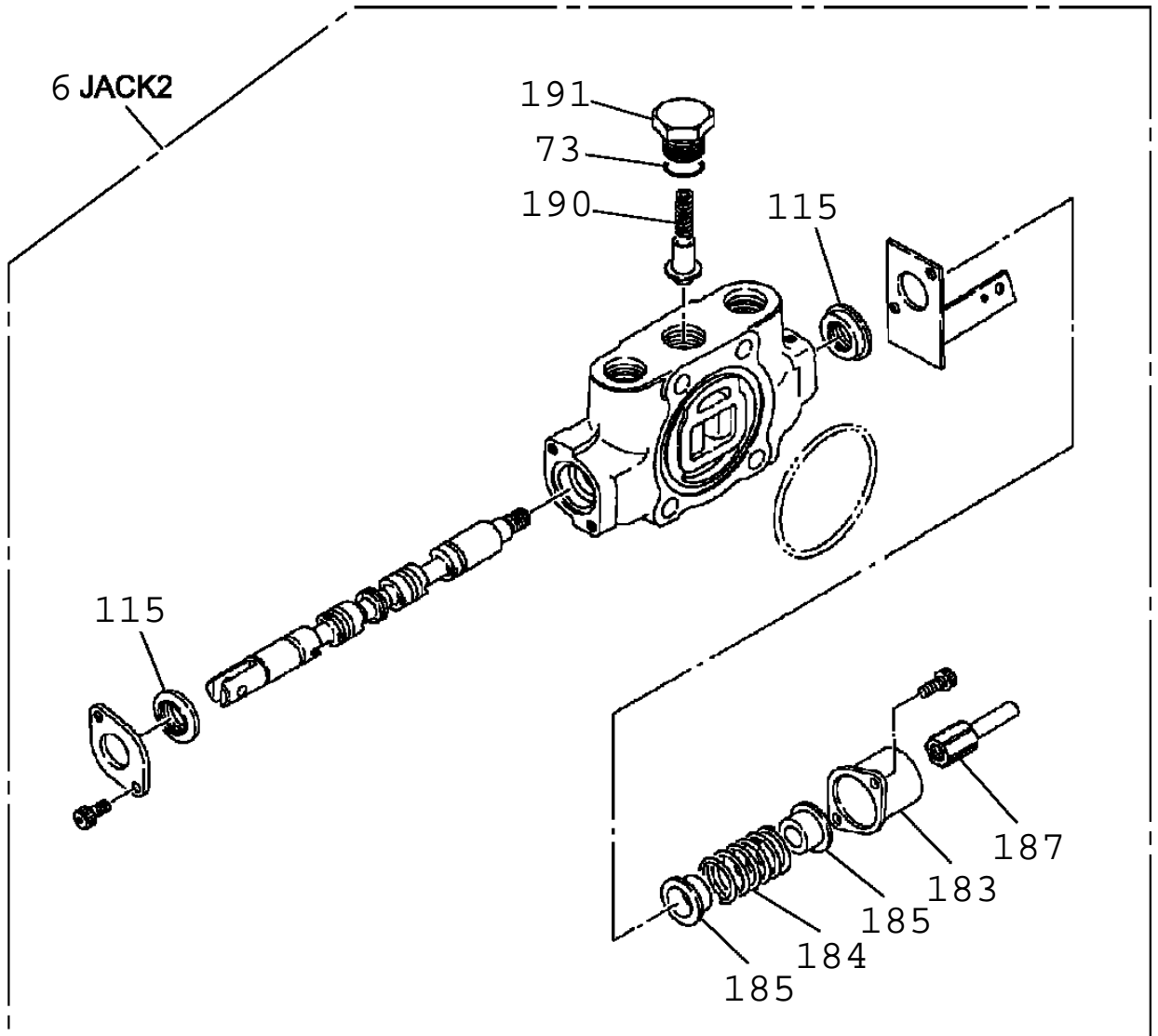
TM-ZF360 41102210360A FRAME/STD,REMOTE-RADIO CONT.,HOOK-IN
PV1020106-04 VALVE,REMOTE CONTROL (SANWA)



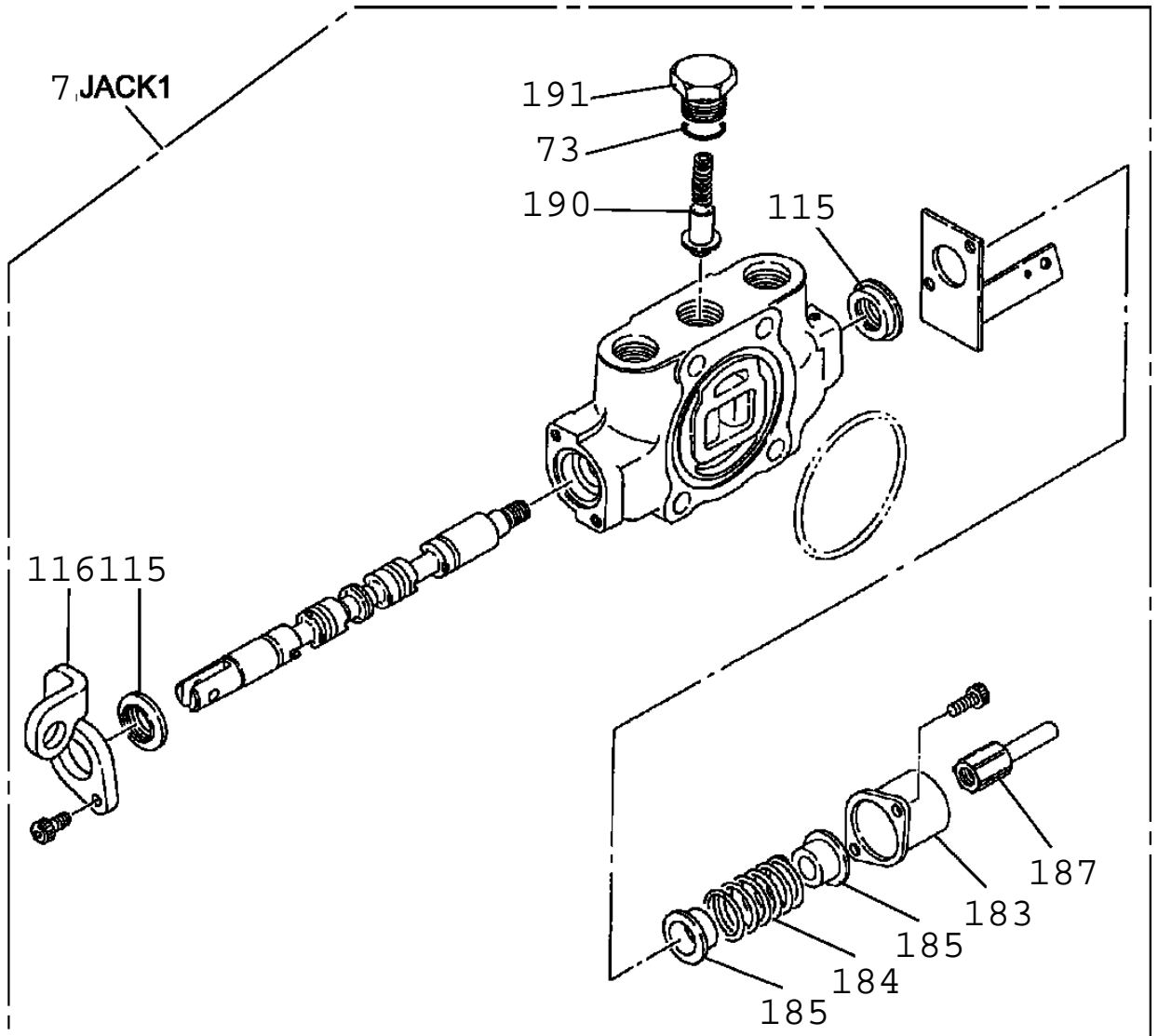
TM-ZF360 41102210360A FRAME/STD,REMOTE-RADIO CONT.,HOOK-IN
PV1020106-04 VALVE,REMOTE CONTROL (SANWA)



TM-ZF360 41102210360A FRAME/STD,REMOTE-RADIO CONT.,HOOK-IN
PV1020106-04 VALVE,REMOTE CONTROL (SANWA)



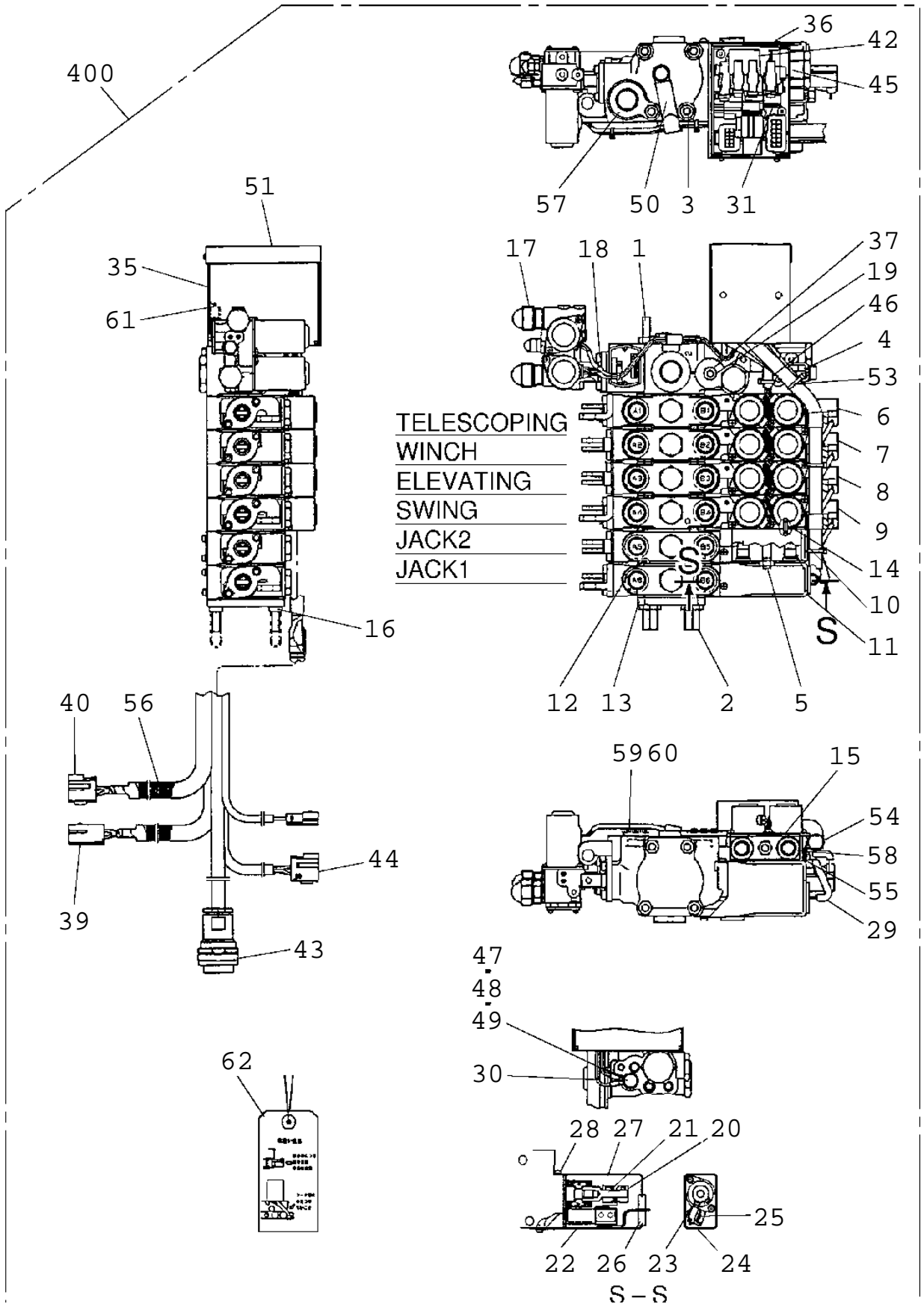
TM-ZF360 41102210360A FRAME/STD,REMOTE-RADIO CONT.,HOOK-IN
PV1020106-04 VALVE,REMOTE CONTROL (SANWA)



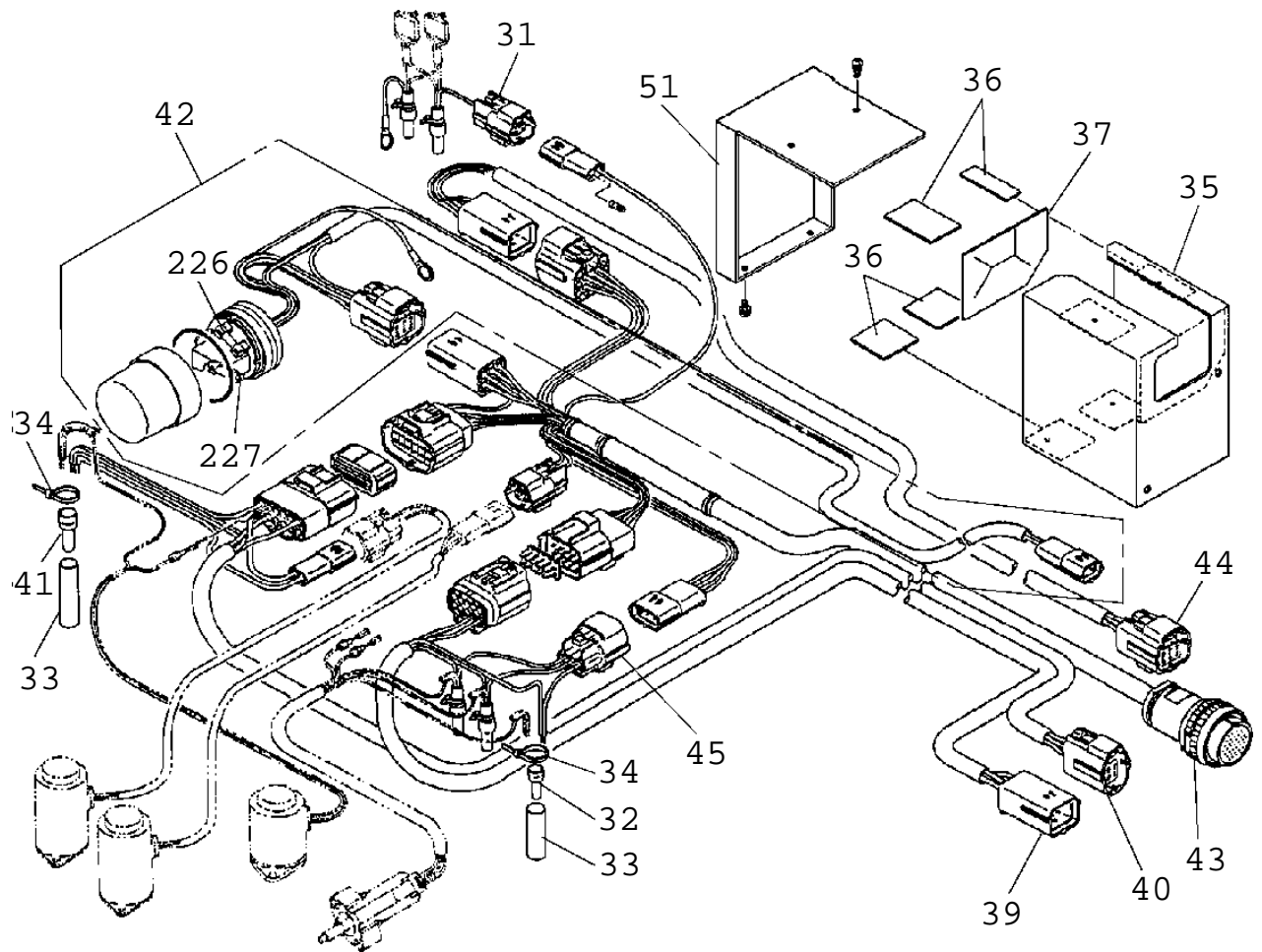
TM-ZF360 41102210360A FRAME/STD,REMOTE-RADIO CONT.,HOOK-IN

Pos No.	Parts No	Parts Name	Qty	Unit	Technical Data	Serial No
1	36645405020	COVER (FRONT)	1			
2	36645495020	VALVE,CONTROL (TELESCOPE)	1			
3	36645495031	VALVE,CONTROL (WINCH)	1			
4	36645495040	VALVE,CONTROL (ELEVATING)	1			
5	36645495050	VALVE,CONTROL (SWING)	1			
6	36645495060	VALVE,CONTROL (JACK 2)	1			
7	36645495070	VALVE,CONTROL (JACK 1)	1			
8	91002905500	O-RING	2		1B G55	
21	36645495080	JOINT	1			
27	36644015070	COVER	1			
28	36644015080	BOX	1			
30	36645395020	HARNASS ASSY (CV)	1			
31	36645495100	RELAY BOX ASSY	1			
32	36644015110	CONNECTOR	1			
33	36644015120	CONNECTOR	5			
34	36644015130	TUBE	6			
35	36644015140	COVER	1			
36	36644015150	URETHANE (ROOL STOCK)	4			
39	36641555090	COVER (BOTTOM)	1			
40	36645495111	HARNASS ASSY (LVDT A)	1			
41	36645495121	HARNASS ASSY (SOLENOID)	1			
47	36645495130	HARNASS ASSY (C)	1			
48	36645495140	HARNASS ASSY (B/LVDT)	1			
49	36645845040	SWITCH ASSY	2			
59	36645495150	HARNASS ASSY (A)	1			
60	36645495160	HARNASS ASSY (B)	1			
73	91001101400	O-RING	16		1A P14	
76	91001002600	O-RING	2		S26	
83	36640625240	FILTER	1			
84	91001001800	O-RING	1		S18	
89	91002905500	O-RING	5		1B G55	
90	91001100600	O-RING	23		1A P6	
92	36645405011	VALVE,SOLENOID	1			
95	91001101600	O-RING	1		1A P16	
103	91001102000	O-RING	4		1A P20	
104	91001000800	O-RING	4		S8	
107	91001002240	O-RING	4		S22.4	
108	91650001400	SCRAPER	4			
115	36633365100	SEAL,OIL	8			
116	36645845050	LINK	3			
124	36645405120	VALVE,SOLENOID (KIT)	8			
126	91001002200	O-RING	8		S22	
127	36645495190	LVDT ASSY (1/WITH CORE)	2			
134	36644015240	TUBE	4		7B	
167	36645495200	LVDT ASSY (2/WITH CORE)	2			
183	36633365040	CAP (RETURN SPRING)	2			
184	36633365050	SPRING (RETURN)	2			
185	36645495210	SEAT,SPRING (RETURN)	4			
187	36645495220	ADAPTER	2			
190	12635101190	SPRING	2			
191	36633365090	CAP (CHECK VALVE)	2			
206	82171101000	FUSE (10A.F-7142 5.2X20>	1			
207	82171100300	FUSE (3A.F-7142 5.2X20>	1			
214	36645405030	O-RING	2			
217	91002800700	O-RING	2		1B P7	
221	11629431040	PACKING	4			
224	16623320390	TUBE (SEAL)	2			
225	91001102200	O-RING	1		1A P22	
229	91002802100	O-RING	1		1B P21	
235	36645495240	SOLENOID ASSY	1			
237	91001001000	O-RING	1		1A S10	
238	91002800300	O-RING	1		1B P3	
243	36645495250	SOLENOID ASSY	1			
244	36645495260	RING,BACKUP	1			
253	36603185150	TUBE	1			
254	36646865170	ROD,PUSH	1		8	
255	36645405040	ROD,PUSH	1			
261	90131903008	BOLT,HEXAGON SOCKET	2		M3X8	
262	36645495270	O-RING	1			
276	91002800400	O-RING	1		1B P4	
279	36645405180	SEAT,VALVE (WITH STEEL BALL)	1			
287	36641075260	SPRING	1			
400	36645400000	VALVE,REMOTE CONTROL (SANWA)	1			

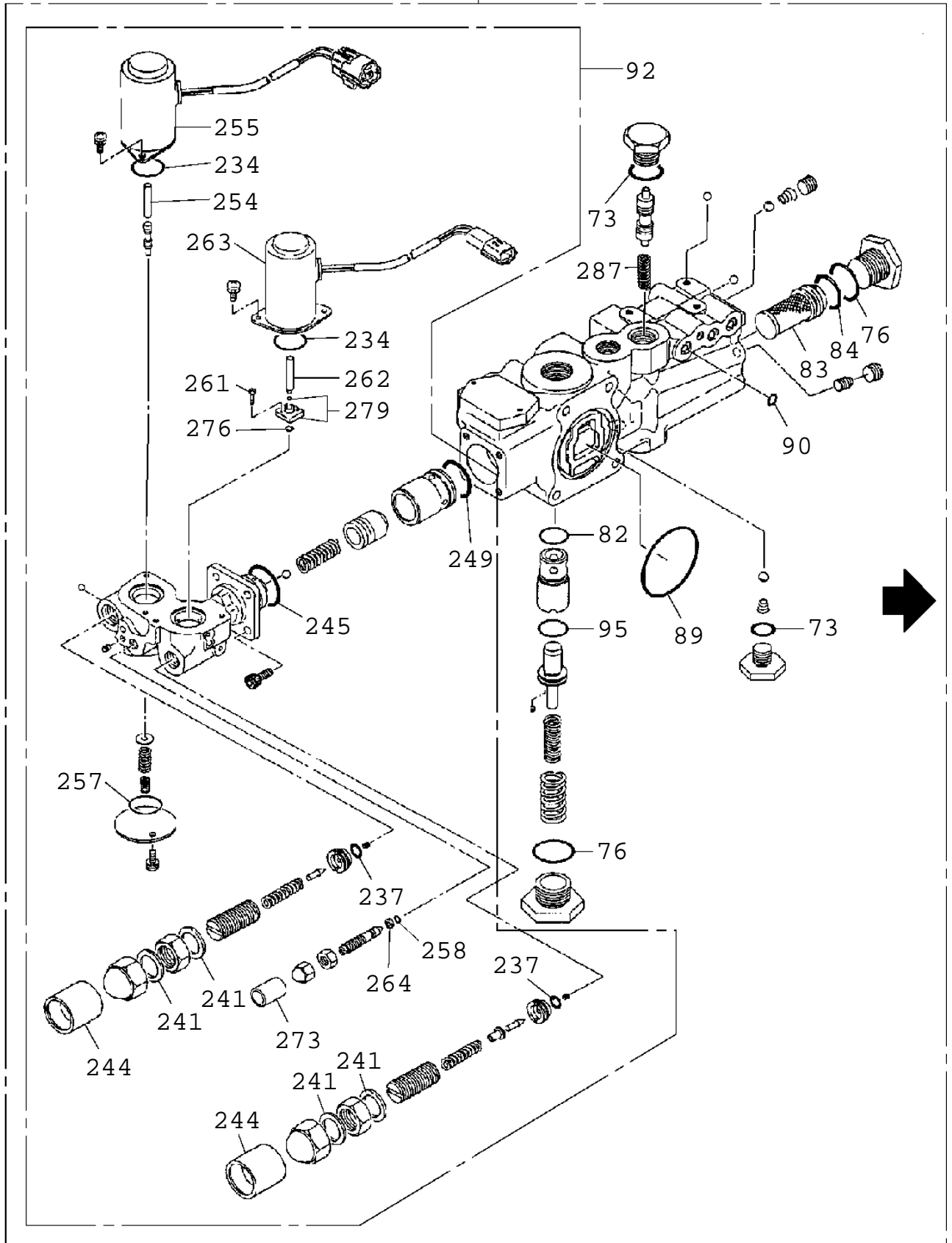
TM-ZF360 41102210360A FRAME/STD,REMOTE-RADIO CONT.,HOOK-IN
 PV1020136-03 VALVE,REMOTE CONTROL (SANWA)

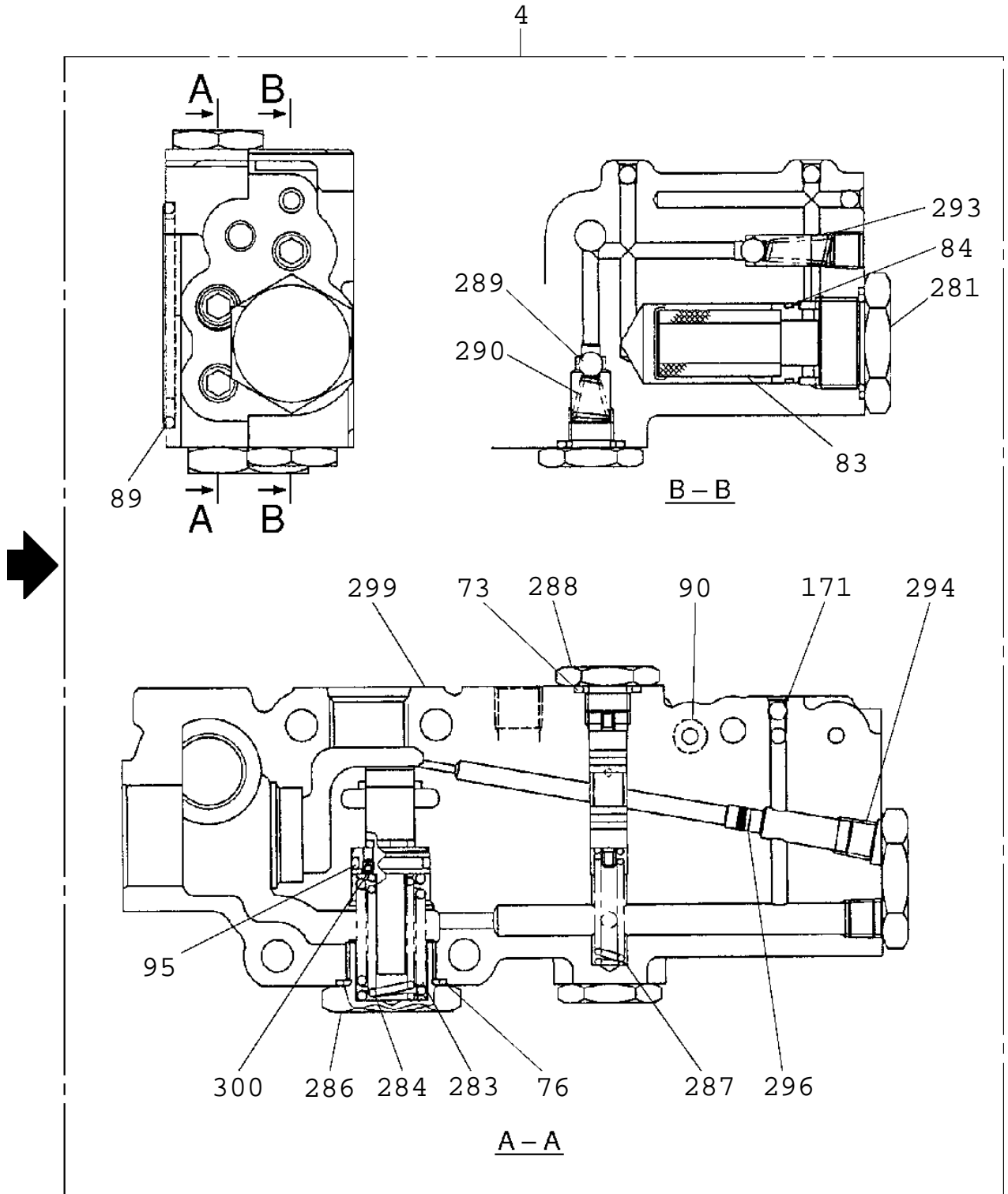


TM-ZF360 41102210360A FRAME/STD,REMOTE-RADIO CONT.,HOOK-IN
PV1020136-03 VALVE,REMOTE CONTROL (SANWA)

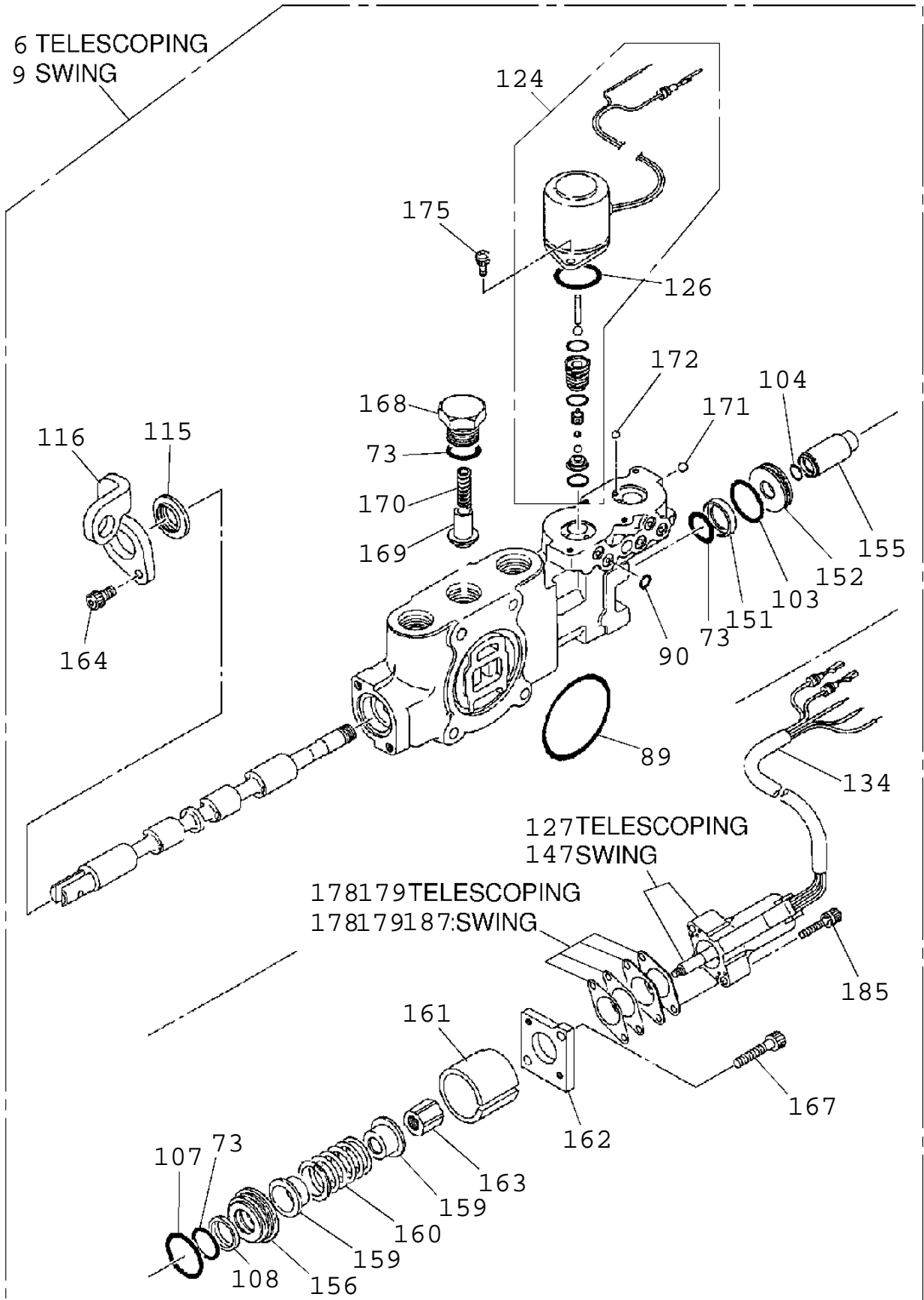


TM-ZF360 41102210360A FRAME/STD,REMOTE-RADIO CONT.,HOOK-IN
PV1020136-03 VALVE,REMOTE CONTROL (SANWA)

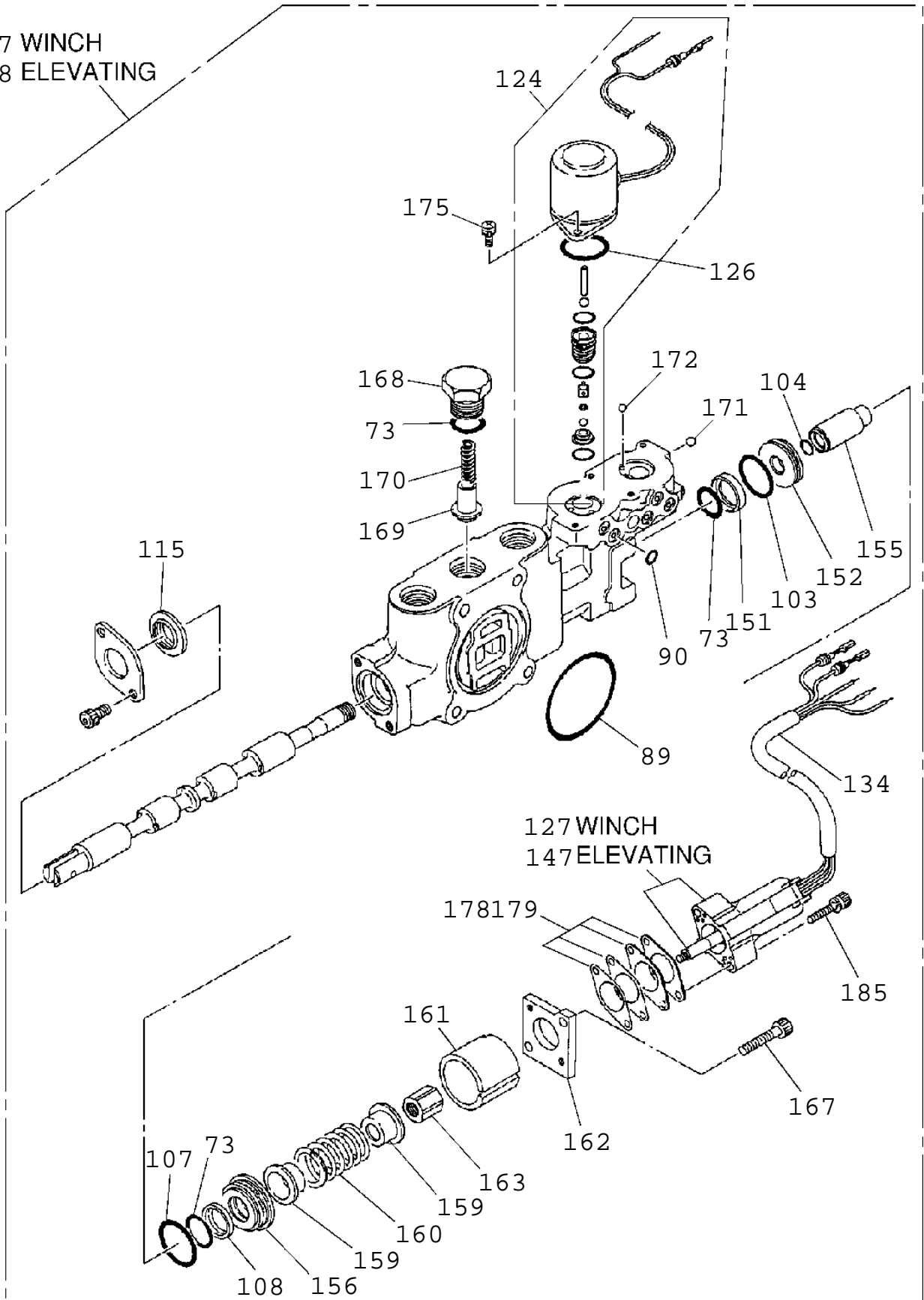




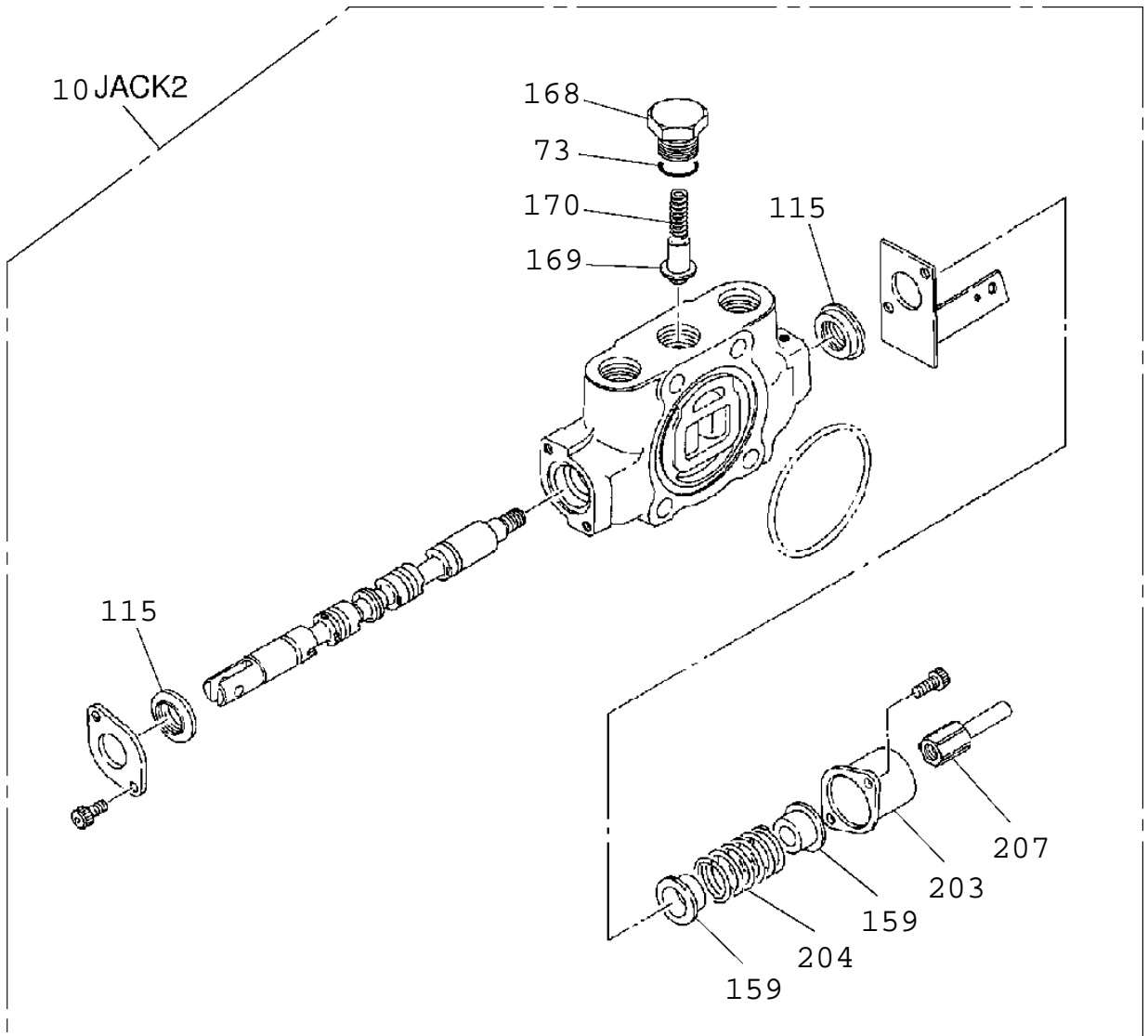
TM-ZF360 41102210360A FRAME/STD,REMOTE-RADIO CONT.,HOOK-IN
 PV1020136-03 VALVE,REMOTE CONTROL (SANWA)

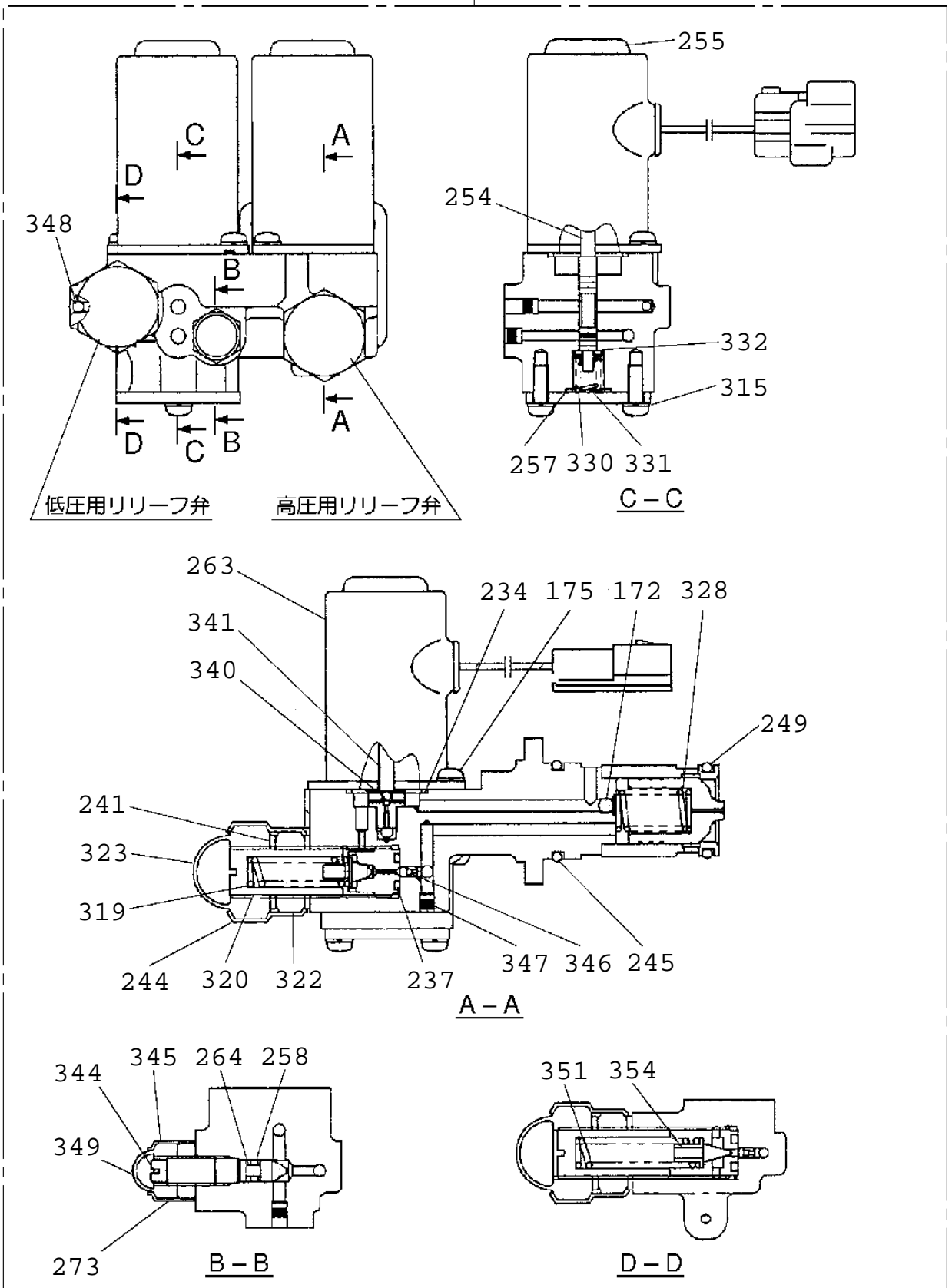


TM-ZF360 41102210360A FRAME/STD,REMOTE-RADIO CONT.,HOOK-IN
PV1020136-03 VALVE,REMOTE CONTROL (SANWA)



TM-ZF360 41102210360A FRAME/STD,REMOTE-RADIO CONT.,HOOK-IN
PV1020136-03 VALVE,REMOTE CONTROL (SANWA)





TM-ZF360 41102210360A FRAME/STD,REMOTE-RADIO CONT.,HOOK-IN

Pos No.	Parts No	Parts Name	Qty	Unit	Technical Data	Serial No
1	36645495280	BOLT,TIE	1			
2	36645495290	BOLT,TIE (A)	3			
3	90201200800	NUT	4		M8	
4	36645405020	COVER (FRONT)	1			
	36645405130	COVER ASSY (FRONT)	1			EP0717
5	36645875080	BOLT,TIE (C)	1			
6	36645495020	VALVE,CONTROL (TELESCOPE)	1			
7	36645495031	VALVE,CONTROL (WINCH)	1			
8	36645495040	VALVE,CONTROL (ELEVATING)	1			
9	36645845011	VALVE,CONTROL (SWING)	1			
10	36645495060	VALVE,CONTROL (JACK 2)	1			
11	36645495070	VALVE,CONTROL (JACK 1)	1			
12	91002905500	O-RING	2		1B G55	
13	36641555090	COVER (BOTTOM)	1			
14	80720104012	PIN,SPRING	1		4X12	
15	36645495080	JOINT	1			
16	90203200800	NUT	5		M8	
17	36645405140	VALVE,SOLENOID	1			EP0717
18	36645615230	C-BOLT	4		5X12	EP0717
19	80316030040	PLUG	1		PT1/4	
20	36646575060	CAM	4			
21	36646865110	SCREW,SET	4			
22	36645845040	SWITCH ASSY	2			
23	36647125100	NUT	4		M2.3	
24	36646575070	PLATE	2			
25	36647125090	SCREW,MACHINE	4		M2.3X14	
26	36645405050	BUSH	2			
27	36646575080	COVER	2			
28	80172104006	SCREW,MACHINE	6		M4X6	
29	36645405060	TUBE	2			
30	36645495150	HARNESS ASSY (A)	1			
31	36645495160	HARNESS ASSY (B)	1			
32	36644015120	CONNECTOR	5			
33	36644015130	TUBE	6			
34	11615111410	BAND	13			
35	36644015080	BOX	1			
36	36644015150	URETHANE (ROOL STOCK)	4			
37	36644015140	COVER	1			
39	36645495111	HARNESS ASSY (LVDT A)	1			
40	36645495121	HARNESS ASSY (SOLENOID)	1			
41	36644015110	CONNECTOR	1			
42	36645495100	RELAY BOX ASSY	1			
43	36645405070	HARNESS ASSY (CV)	1			
44	36645495130	HARNESS ASSY (C)	1			
45	36645495140	HARNESS ASSY (B/LVDT)	1			
46	36640625140	TUBE	1		12B	
47	90303070801	WASHER,PLAIN	2		8	
48	90302040801	WASHER,SPRING	2		8	
49	90103208012	BOLT	2		M8X12	
50	36646865070	CLIP	1			
51	36644015070	COVER	1			
52	36645405160	BAND	3			EP0717
53	36636085040	BAND	3			
54	36640625150	CLIP,NYLON	2			
55	36645405170	SCREW,MACHINE	2		M5X10	
56	36062635050	TUBE,CORRUGATE	2		10	
57	36645615090	PROTECTOR	2			
58	36081315130	PROTECTOR (THREAD)	2			
59	36645615200	PACKING	12			
60	36645615190	PLUG (DUST)	12			
61	36640755070	CAP	5			
62	36645405080	LABEL (CAUTION)	1			
73	91001101400	O-RING	16		1A P14	
76	91001002600	O-RING	2		S26	
82	36645495270	O-RING	1			
83	36640625240	FILTER	1			
84	91001001800	O-RING	1		S18	
89	91002905500	O-RING	5		1B G55	
90	91001100600	O-RING	23		1A P6	
92	36645405011	VALVE,SOLENOID	1			
95	91001101600	O-RING	1		1A P16	
103	91001102000	O-RING	4		1A P20	
104	91001000800	O-RING	4		S8	
107	91001002240	O-RING	4		S22.4	

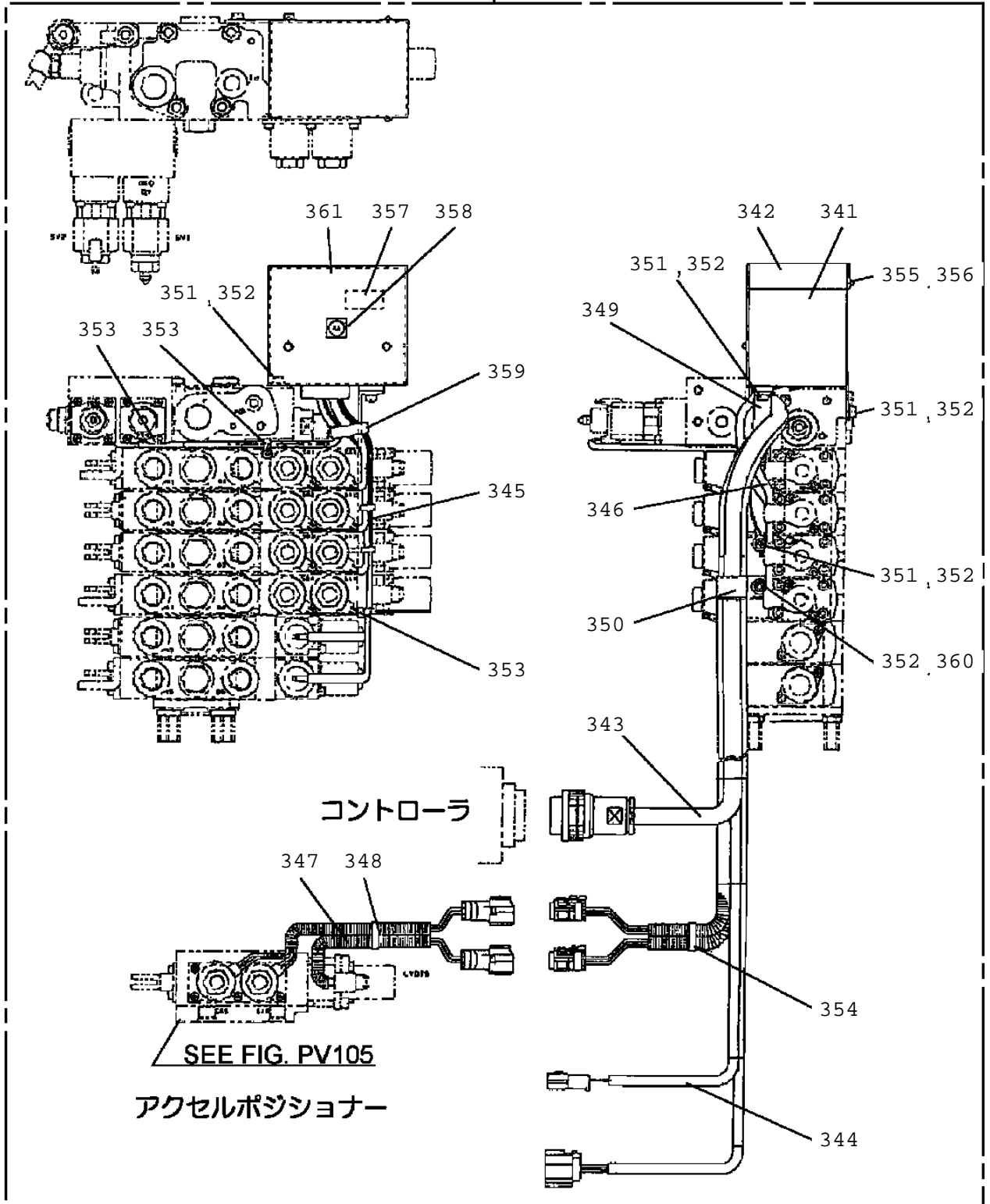
TM-ZF360 41102210360A FRAME/STD,REMOTE-RADIO CONT.,HOOK-IN

Pos No.	Parts No	Parts Name	Qty	Unit	Technical Data	Serial No
108	91650001400	SCRAPER	4			
115	36633365100	SEAL,OIL	8			
116	36645845050	LINK	3			
124	36645405120	VALVE,SOLENOID (KIT)	8			
126	91001002200	O-RING	8		S22	
127	36645495190	LVDT ASSY (1/WITH CORE)	2			
134	36644015240	TUBE	4		7B	
147	36645495200	LVDT ASSY (2/WITH CORE)	2			
151	36640625310	BUSH	1			
152	36646865190	PISTON	1			
155	36646865200	SPOOL (SUB)	1			
156	36640625360	FLANGE	1			
159	36645495210	SEAT,SPRING (RETURN)	6			
160	36645845060	SPRING (RETURN)	1			
161	36646865210	SPACER	1			
162	36645405090	PLATE (D)	1			
163	36644015260	ADAPTER	1			
164	36645615230	C-BOLT	2		5X12	
167	36645615250	C-BOLT	2		M5X25	
168	36633365090	CAP (CHECK VALVE)	3			
169	12635101360	SPOOL	1			
170	12635101190	SPRING	3			
171	36648375020	BALL,STEEL	4		3/16	EP0717
172	36648375030	BALL,STEEL	1		5/32	EP0717
175	80172104010	SCREW,MACHINE	4		M4X10	
	80172104010	SCREW,MACHINE	6		M4X10	EP0717
178	36644015220	SHIM (T=0.2)	8			
179	36644015230	SHIM (T=0.3)	8			
185	36645405100	BOLT	2		M4X22	
187	36645405110	SHIM (T=1.0)	1			
203	36633365040	CAP (RETURN SPRING)	2			
204	36633365050	SPRING (RETURN)	2			
207	36645495220	ADAPTER	2			
226	82171101000	FUSE (10A.F-7142 5.2X20>	1			
227	82171100300	FUSE (3A.F-7142 5.2X20>	1			
234	36645405030	O-RING	2			
237	91002800700	O-RING	2		1B P7	
241	11629431040	PACKING	4			
244	16623320390	TUBE (SEAL)	2			
245	91001102200	O-RING	1		1A P22	
249	91002802100	O-RING	1		1B P21	
254	36646865170	ROD,PUSH	1		8	
255	36645495240	SOLENOID ASSY	1			
257	91001001000	O-RING	1		1A S10	
258	91002800300	O-RING	1		1B P3	
261	90131903008	BOLT,HEXAGON SOCKET	2		M3X8	
262	36645405040	ROD,PUSH	1			
263	36645495250	SOLENOID ASSY	1			
264	36645495260	RING,BACKUP	1			
273	36603185150	TUBE	1			
276	91002800400	O-RING	1		1B P4	
279	36645405180	SEAT,VALVE (WITH STEEL BALL)	1			
281	36640625710	PLUG	1			EP0717
283	36646265080	SPRING (A)	1			EP0717
284	36646265090	SPRING (B)	1			EP0717
286	36645615210	PLUG	1		24	EP0717
287	36641075260	SPRING	1			
288	36640625210	CAP	2			EP0717
289	80560057000	BALL,STEEL	2		1/4	EP0717
290	36640625220	SPRING	1			EP0717
293	36640625260	SPRING	1			EP0717
294	80316030020	PLUG	5		PT1/8	EP0717
295	80560055000	BALL,STEEL	3		3/16	
296	36646875110	COCK	1			EP0717
299	36646865131	COVER ASSY (FRONT,SUB)	1			EP0717
300	36646875130	ORIFICE	1		M3	EP0717
313	80560054000	BALL,STEEL	2		5/32	
315	36647175030	COVER	1			EP0717
319	12635101140	SPRING	1			EP0717
320	12635101130	SCREW (ADJUSTING)	2			EP0717
322	36646575090	NUT	2			EP0717
323	36630195030	NUT,CAP	2			EP0717
328	12635101110	SPRING (RETURN)	1			EP0717
330	36635735130	SPRING (A)	1			EP0717

TM-ZF360 41102210360A FRAME/STD,REMOTE-RADIO CONT.,HOOK-IN

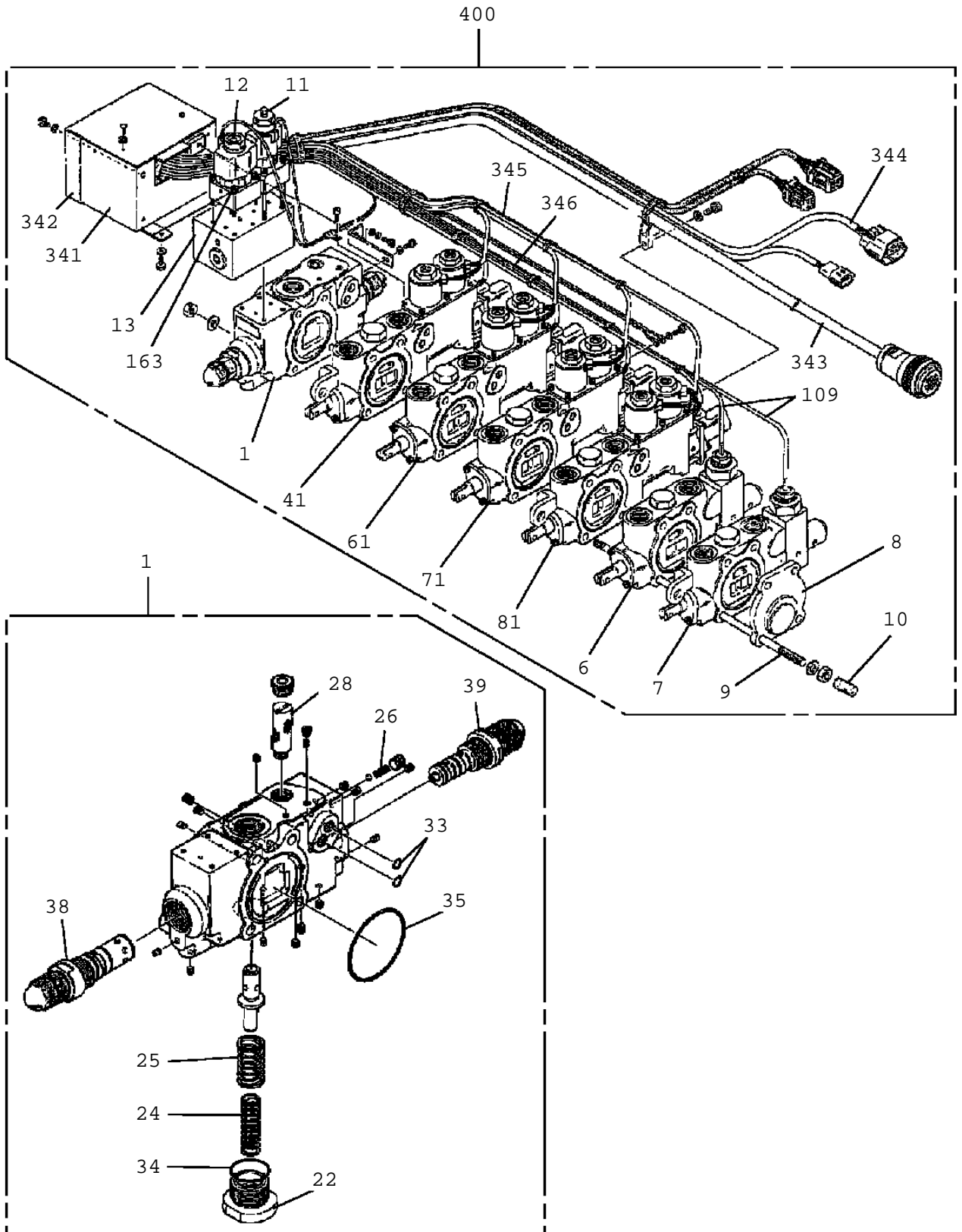
Pos No.	Parts No	Parts Name	Qty	Unit	Technical Data	Serial No
331	36635735140	SPRING (B)	1			EP0717
332	36647055160	SEAT,SPRING	1			EP0717
340	36648365220	BALL,STEEL	1		3/32	EP0717
341	36646525170	ROD,PUSH	1			EP0717
344	36646525120	NEEDLE	1			EP0717
345	90203200800	NUT	1		M8	EP0717
346	36646875150	ORIFICE	2		M3	EP0717
347	36647055090	PLUG	7			EP0717
348	36648365230	BALL,STEEL	3		3.0	EP0717
349	36647615110	NUT,CAP	1		M8	EP0717
351	36635735120	SPRING	1			EP0717
354	36647175100	SEAT,SPRING	1			EP0717
400	36645400001	VALVE,REMOTE CONTROL (SANWA)	1			

400



展開図有
 ILLUSTRATED BREAKDOWN NO.347

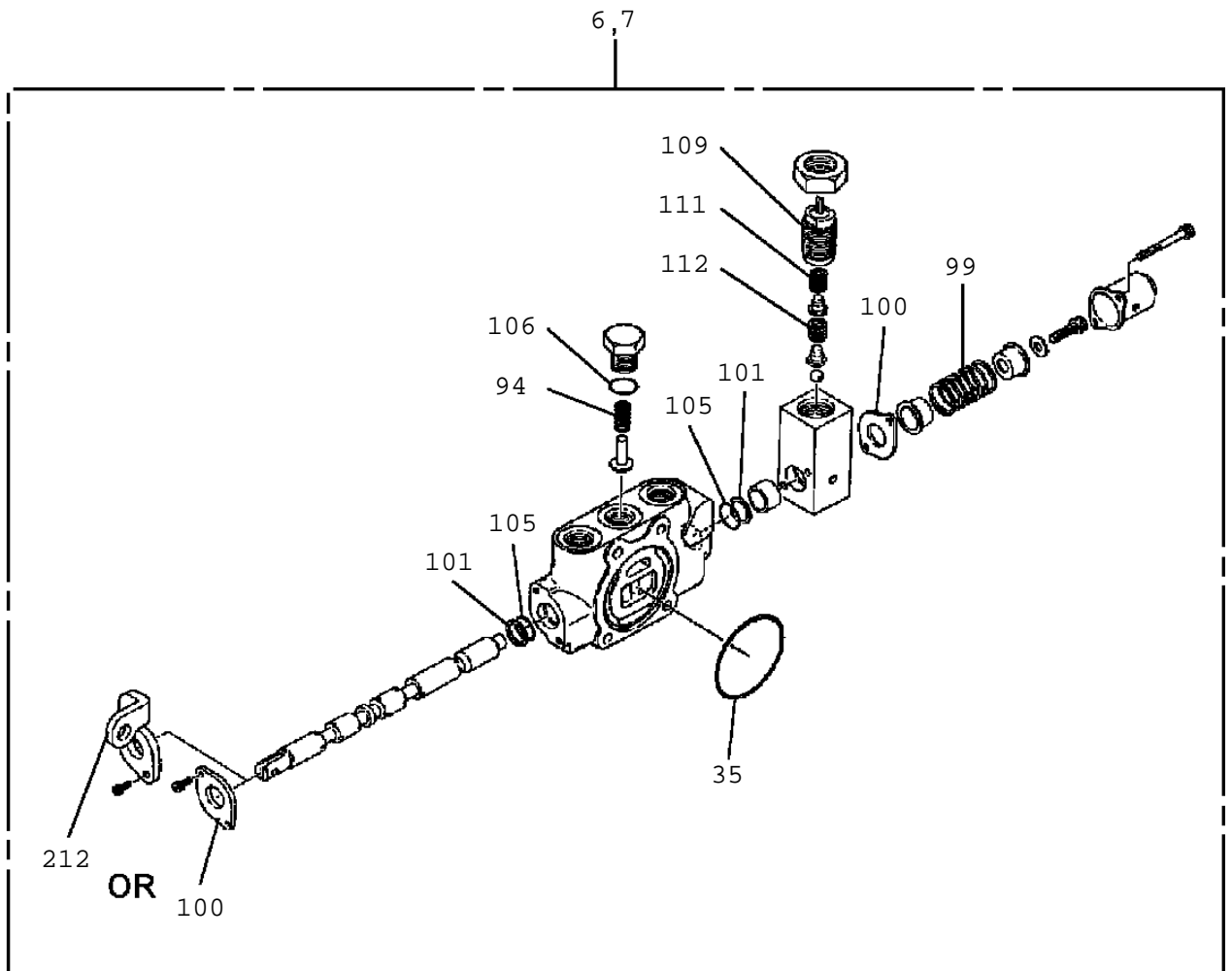
TM-ZF360 41102210360A FRAME/STD,REMOTE-RADIO CONT.,HOOK-IN
 PV1020173-05 VALVE,REMOTE CONTROL (HOOK-IN,NACHI)



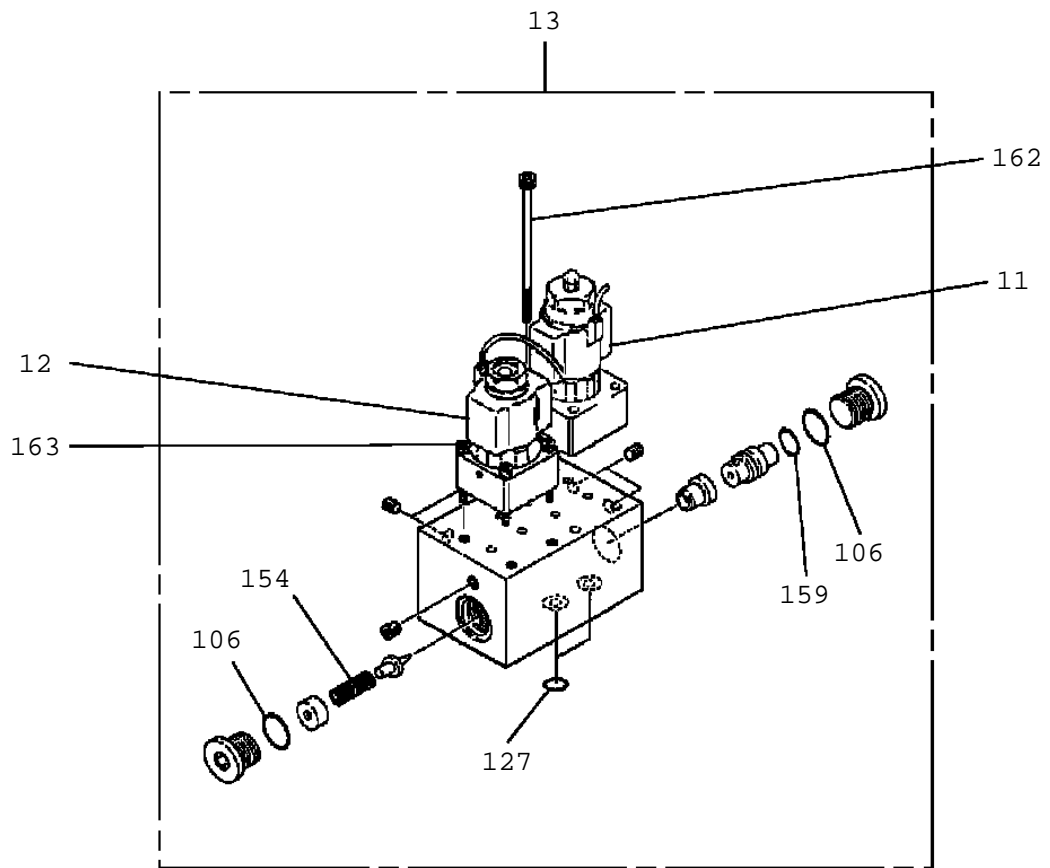
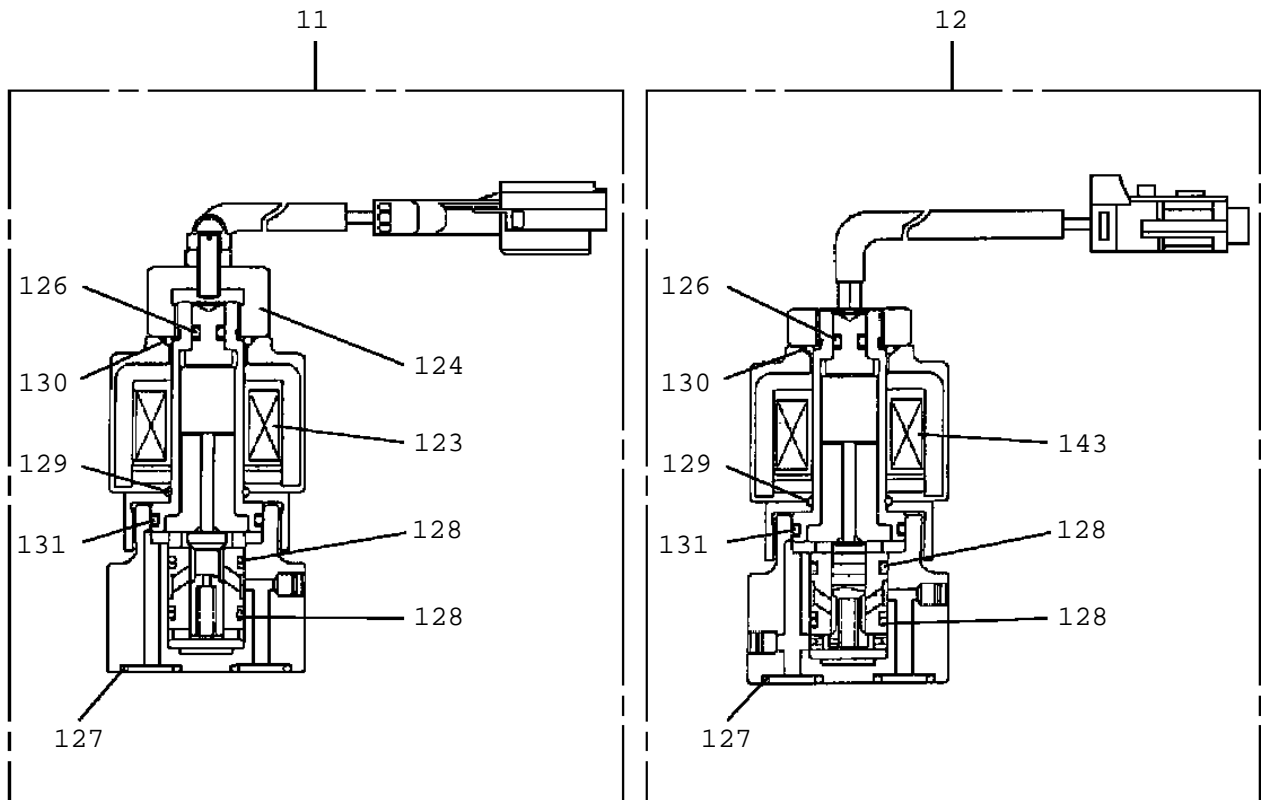
展開図有

ILLUSTRATED BREAKDOWN NO.6,7,11,12,13,38,39,41,61,71,81,344,346

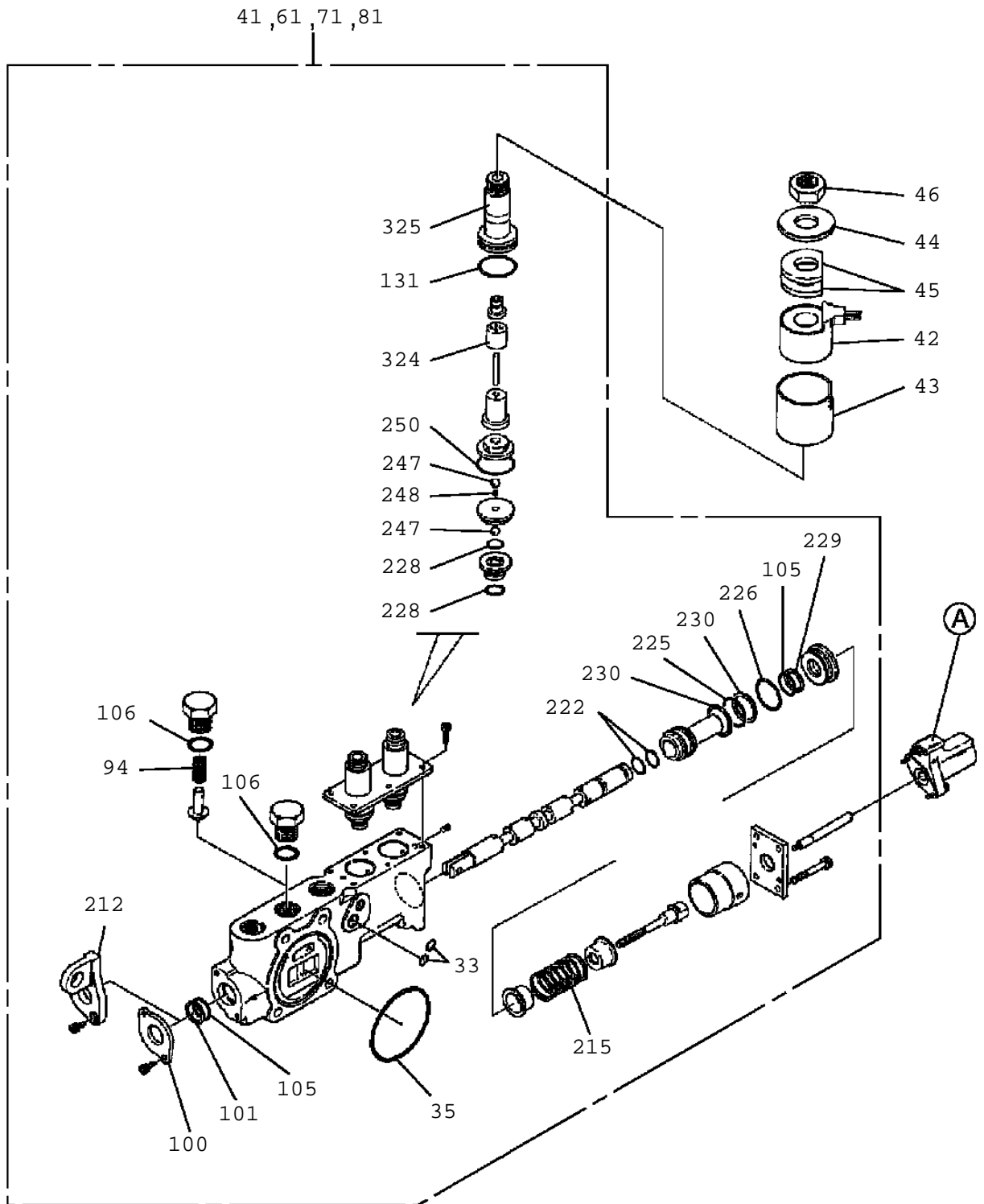
TM-ZF360 41102210360A FRAME/STD,REMOTE-RADIO CONT.,HOOK-IN
PV1020173-05 VALVE,REMOTE CONTROL (HOOK-IN,NACHI)



TM-ZF360 41102210360A FRAME/STD,REMOTE-RADIO CONT.,HOOK-IN
PV1020173-05 VALVE,REMOTE CONTROL (HOOK-IN,NACHI)



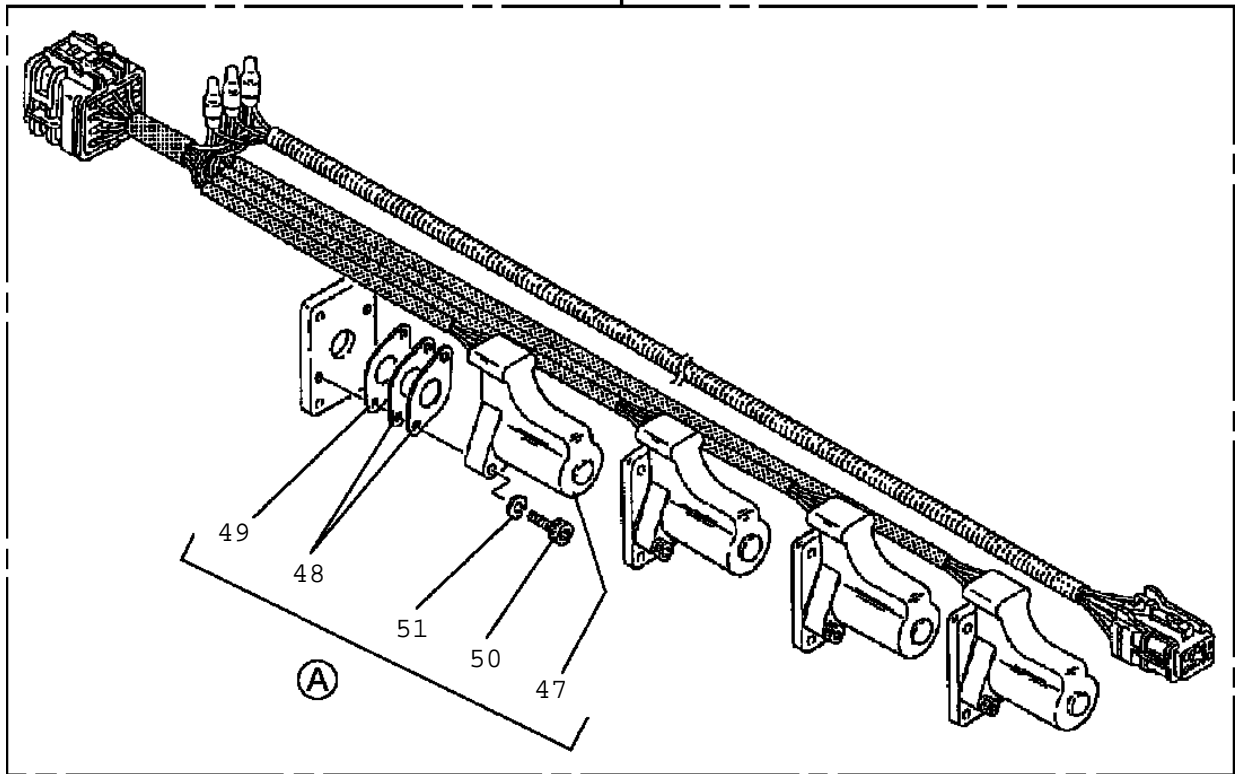
TM-ZF360 41102210360A FRAME/STD,REMOTE-RADIO CONT.,HOOK-IN
 PV1020173-05 VALVE,REMOTE CONTROL (HOOK-IN,NACHI)



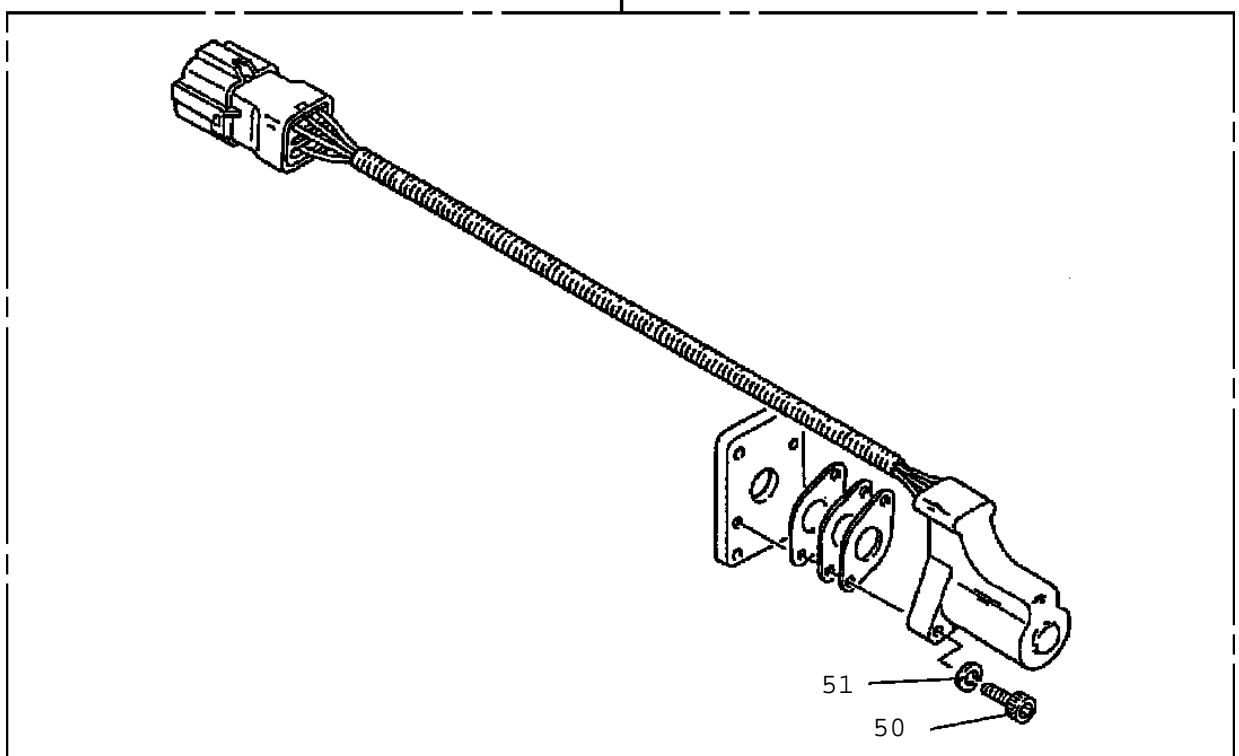
展開図有
 ILLUSTRATED BREAKDOWN NO.A

TM-ZF360 41102210360A FRAME/STD,REMOTE-RADIO CONT.,HOOK-IN
PV1020173-05 VALVE,REMOTE CONTROL (HOOK-IN,NACHI)

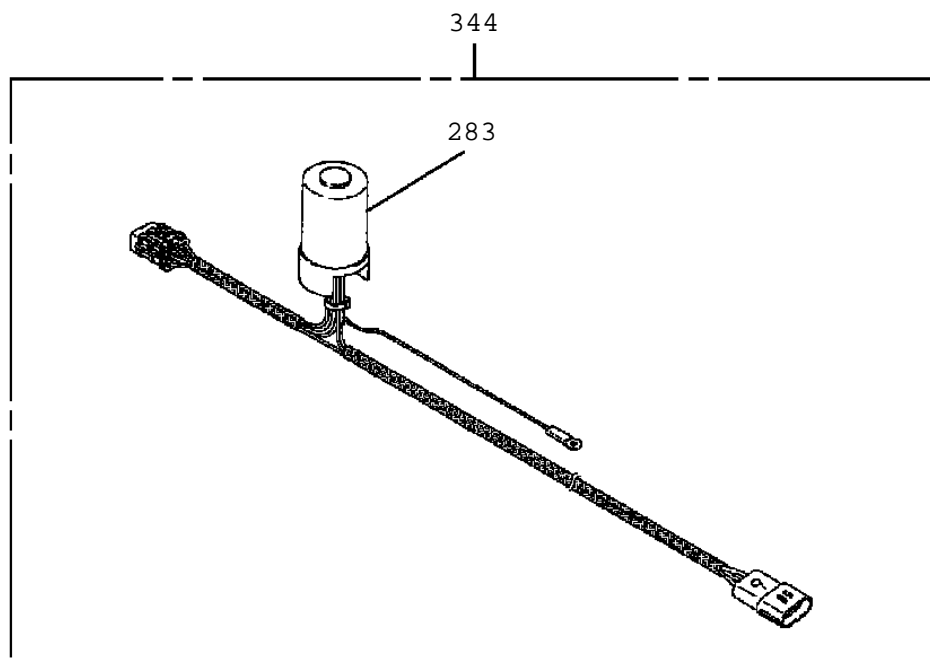
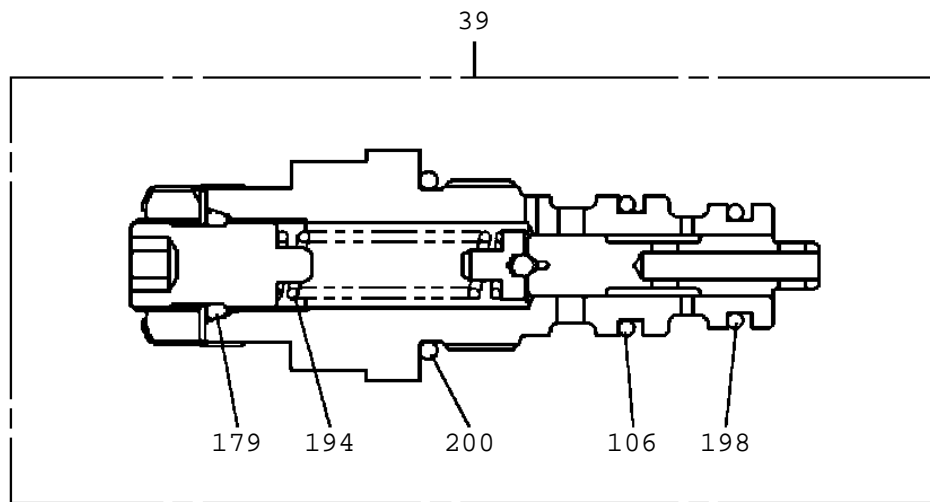
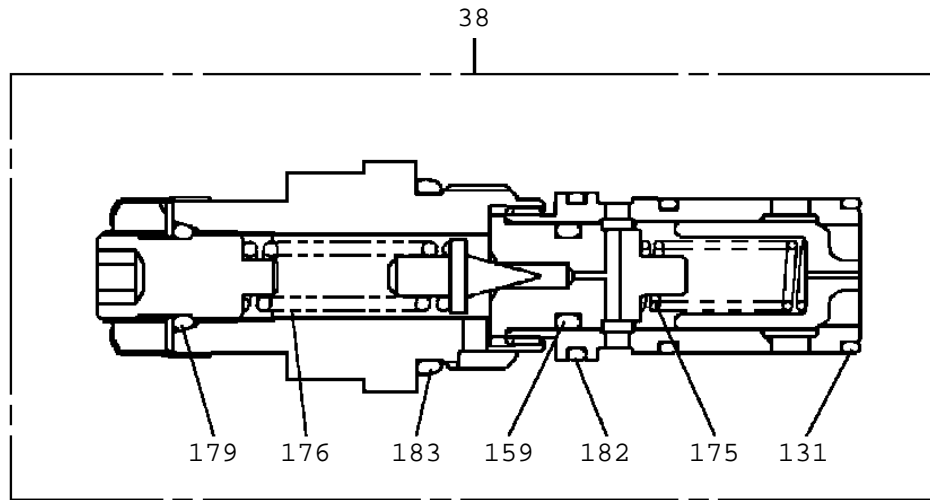
346



347



TM-ZF360 41102210360A FRAME/STD,REMOTE-RADIO CONT.,HOOK-IN
PV1020173-05 VALVE,REMOTE CONTROL (HOOK-IN,NACHI)



TM-ZF360 41102210360A FRAME/STD,REMOTE-RADIO CONT.,HOOK-IN

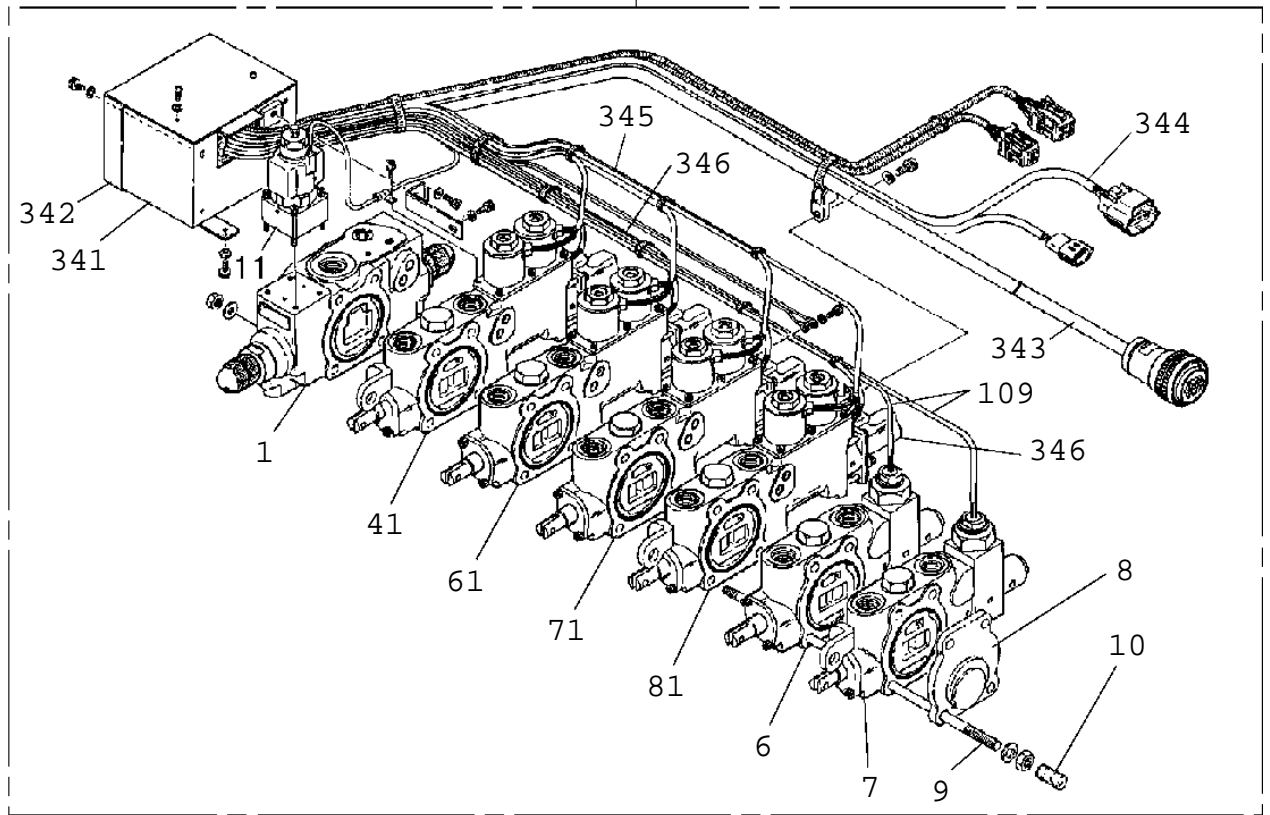
Pos No.	Parts No	Parts Name	Qty	Unit	Technical Data	Se
1	36644795012	BLOCK,R.G.B.	1			
6	36645155060	BLOCK,VALVE (JACK)	1			
7	36645155071	BLOCK,VALVE (JACK)	1			
8	36642415490	PLATE	1			
9	36644405040	SCREW	4			
10	36646285060	CAP	4			
11	36643725281	VALVE,SOLENOID	1		28V	
12	36643725291	VALVE,SOLENOID (FOR HOOK-IN)	1			
13	36644795021	BLOCK ASSY (RELIEF)	1			
22	36644795100	CAP				
24	36645155090	SPRING (A)	1			
25	36645155100	SPRING (B)	1			
26	36642415120	SPRING (C)	1			
28	36642575030	FILTER	1			
33	91001100600	O-RING	10		1A P6	
34	91002802500	O-RING	1		1B P25	
35	91001205500	O-RING	7		1A G55	
38	36644795031	VALVE,RELIEF	1			
39	36642415151	VALVE,REDUCING	1			
41	36645155112	BLOCK,VALVE (TELESCOPING)	1			
42	36642415250	COIL,SOLENOID (WITHOUT CONNECTOR)	8			
43	36642415230	CASE (COIL)	8			
44	36642415240	YOKE (A)	8			
45	36642415270	YOKE (B)	16			
46	36642415280	NUT	8			
47	36642415290	COIL (LVDT, WITHOUT CONNECTOR)	4			
48	36642415300	SHIM (T=0.5)	8			
49	36642415310	SHIM (T=0.2)	8			
50	36062605020	BOLT,HEXAGON SOCKET(WITH WASHER)	18		M4X15	
51	36062605030	WASHER	18			
61	36645155122	BLOCK,VALVE (WINCH)	1			
71	36645155131	BLOCK,VALVE (ELEVATING)	1			
81	36644795070	BLOCK,VALVE (SWING)	1			
94	36642415330	SPRING	5			
99	36642415340	SPRING	2			
100	36642415320	PLATE	5			
101	36642415220	RING,BACKUP	8			
105	91001101400	O-RING	12		1A P14	
106	91002801400	O-RING	9		1B P14	
109	36645155160	SWITCH ASSY	2			
111	36645155170	SPRING (A)	2			
112	36645155180	SPRING (B)	2			
123	36642415351	COIL KIT (28V.WITH SPRING & O-RING)	1			
124	36643725170	LOCK ASSY	1			
126	36370105600	O-RING	2			
127	91002800800	O-RING	6		1B P8	
128	91000501300	O-RING	4		AS568-013	
129	36643725180	O-RING	2			
130	91001101250	O-RING	2		1B P12.5	
131	91000501700	O-RING	12			
143	36643725300	COIL,SOLENOID (WITH CONNECTOR)	1			
154	36644795041	SPRING	1			
159	91002801001	O-RING	2		1B P10A	
162	36644795050	BOLT,HEXAGON SOCKET	4		M4X75	
163	36646285130	BOLT,HEXAGON SOCKET	4		M4X25	
175	36642415160	SPRING	1			
176	36647285390	SPRING	1			
179	91002801000	O-RING	2		1B P10	
182	91000501800	O-RING	1		ARP568-018	
183	91002802200	O-RING	1		1B P22	
194	36647985350	SPRING	1			
198	91002801200	O-RING	1		1B P12	
200	91002802000	O-RING	1		1B P20	
212	36645605110	PLATE (FULCRUM)	3			
215	36642415210	SPRING	4			
222	91001101001	O-RING	8		1A P10A	
225	91001102100	O-RING	4		1A P21	
226	91001102200	O-RING	4		1A P22	
228	91001000900	O-RING	12		S9	
229	91411001400	RING,BACKUP	4		P14	
230	91411002100	RING,BACKUP	8		P21	
247	80560055000	BALL,STEEL	16		3/16	
248	36642415260	BALL,STEEL	8			
250	91001001800	O-RING	8		S18	

TM-ZF360 41102210360A FRAME/STD,REMOTE-RADIO CONT.,HOOK-IN

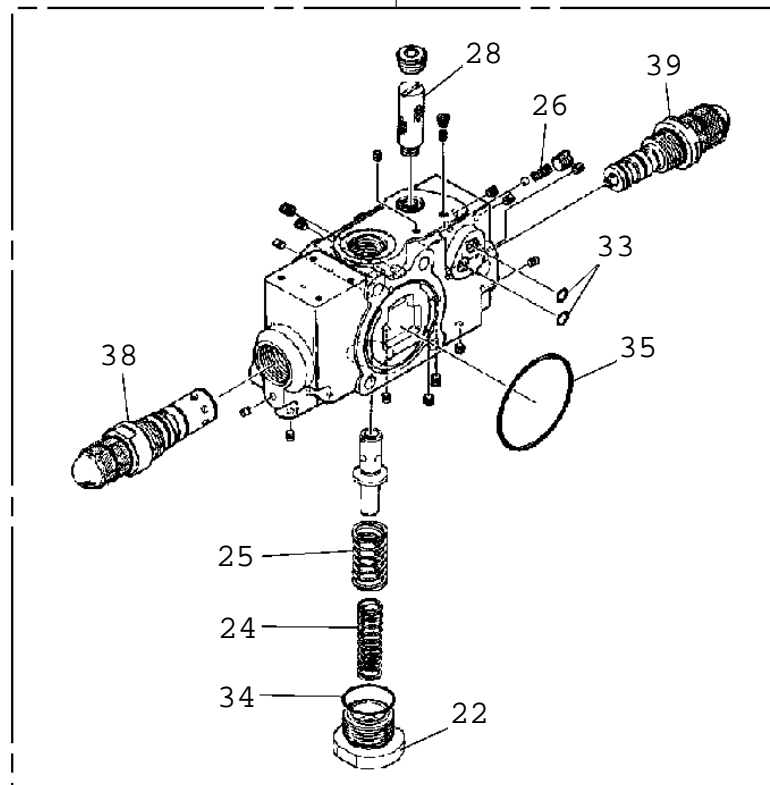
Pos No.	Parts No	Parts Name	Qty	Unit	Technical Data	Se
283	91001003500	O-RING	1		S35	
324	36643725310	PLUNGER	8			
325	36643725320	GUIDE (SOLENOID)	8			
341	36642415450	BOX	1			
342	36642415360	COVER (BOX)	1			
343	36644795090	HARNESS ASSY	1			
344	36645815110	HARNESS (B6HS)	1			
345	36645815120	HARNESS	1			
346	36645815130	HARNESS	1			
347	36645155230	COIL ASSY (LVDT/EHS)	1			
348	36645155240	COIL ASSY (FHS)	1			
349	36643725260	ANGLE	1			
350	36645815140	INSULOCK	1			
351	36645815150	BOLT,HEXAGON SOCKET	5			
352	36645815160	WASHER,PLAIN	6			
353	36645815170	CLIP	3			
354	36645815180	INSULOCK	10			
355	80172303005	SCREW,MACHINE	4		M3X5	
356	36645815190	WASHER,SPRING	4			
357	36645815200	SEAT (RUBBER)	1			
358	36645815210	STICKER	1			
359	36645815220	INSULOCK	2			
360	36645815240	BOLT,HEXAGON SOCKET	1			
361	36645815230	SEAT (RUBBER)	1			
400	36644790001	VALVE,REMOTE CONTROL (HOOK-IN,NACHI)	1			

TM-ZF360 41102210360A FRAME/STD,REMOTE-RADIO CONT.,HOOK-IN
PV1020174-03 VALVE,REMOTE CONTROL (NACHI)

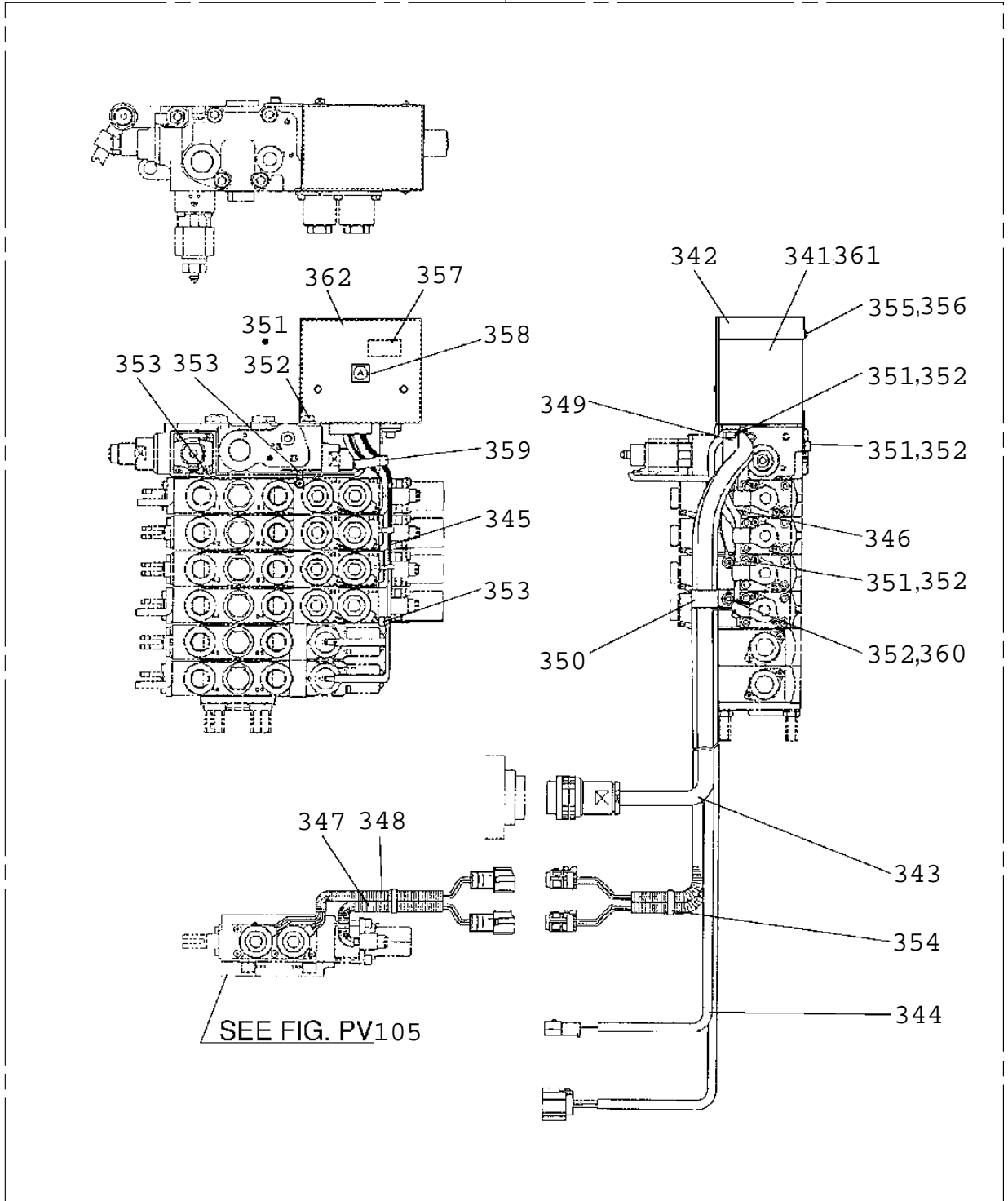
400



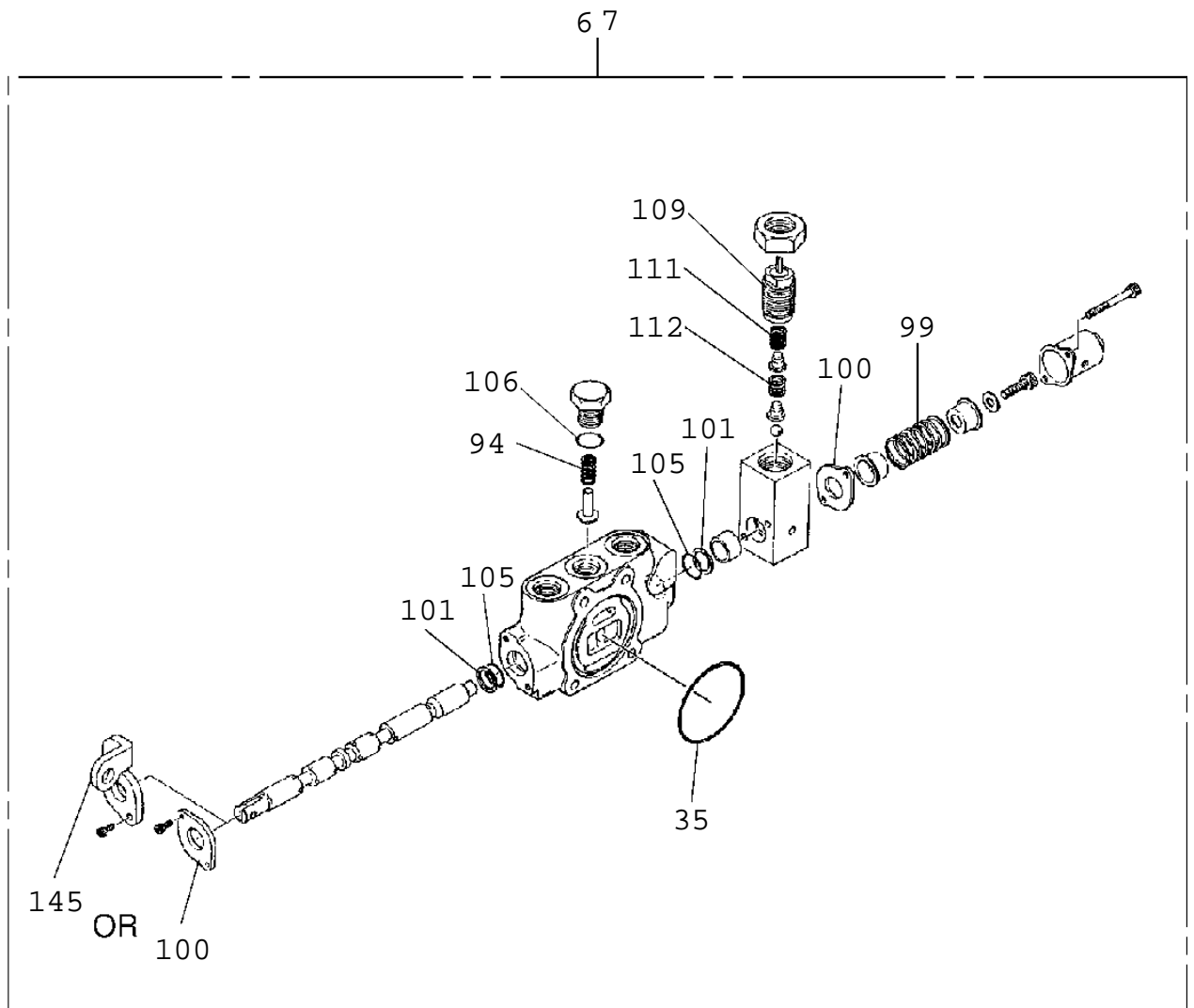
1



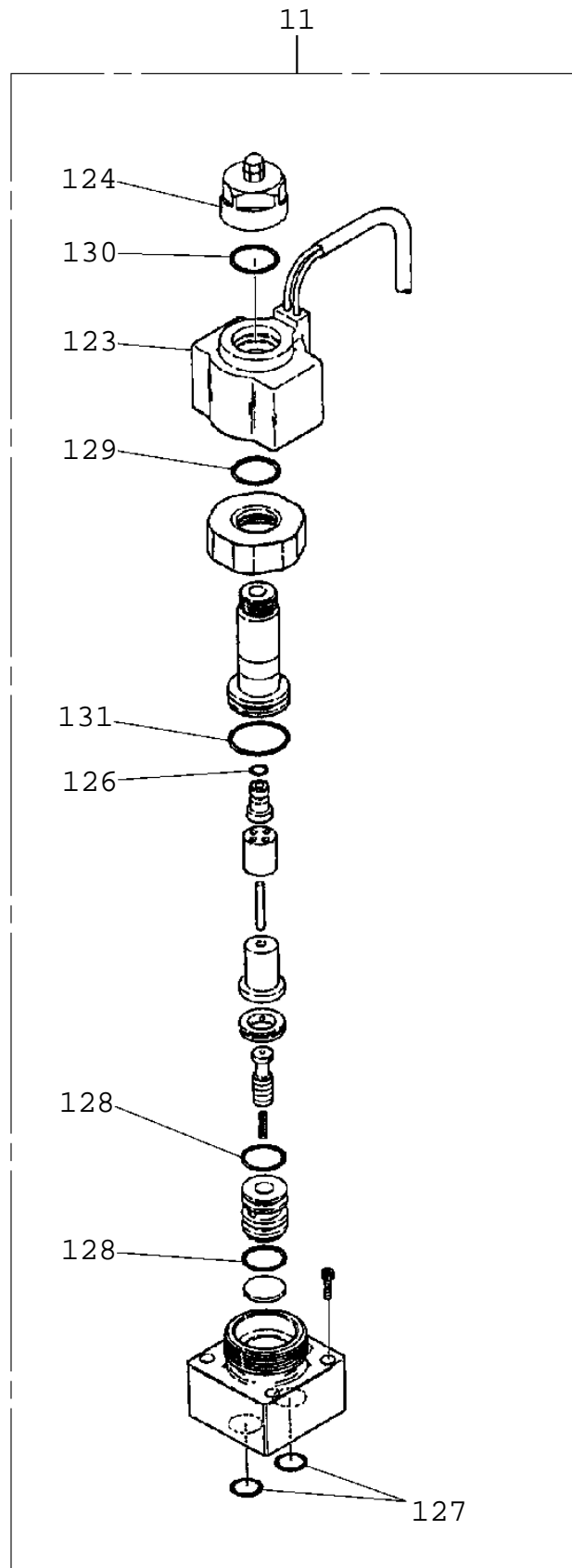
400



TM-ZF360 41102210360A FRAME/STD,REMOTE-RADIO CONT.,HOOK-IN
PV1020174-03 VALVE,REMOTE CONTROL (NACHI)

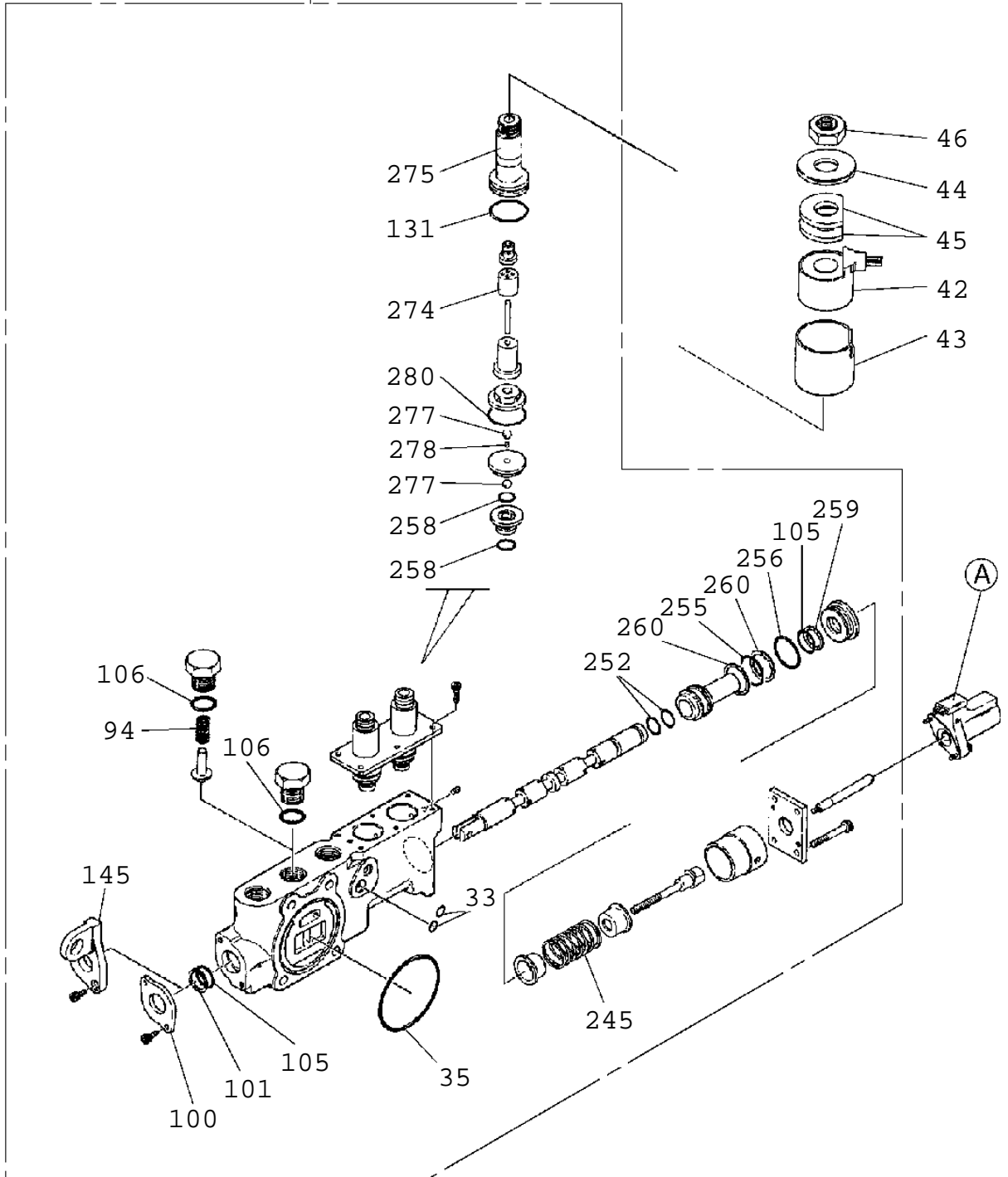


TM-ZF360 41102210360A FRAME/STD,REMOTE-RADIO CONT.,HOOK-IN
PV1020174-03 VALVE,REMOTE CONTROL (NACHI)



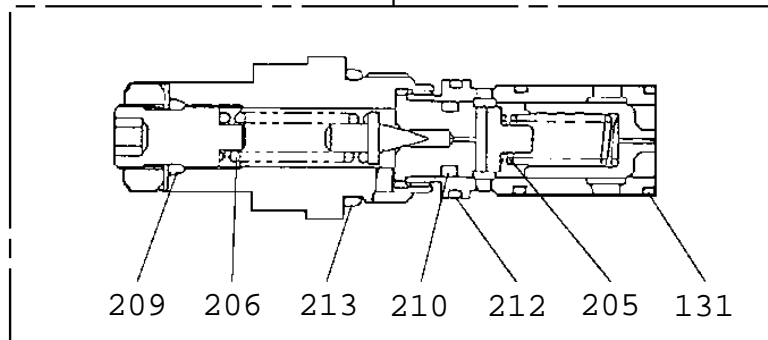
TM-ZF360 41102210360A FRAME/STD,REMOTE-RADIO CONT.,HOOK-IN
PV1020174-03 VALVE,REMOTE CONTROL (NACHI)

41 61 71 81

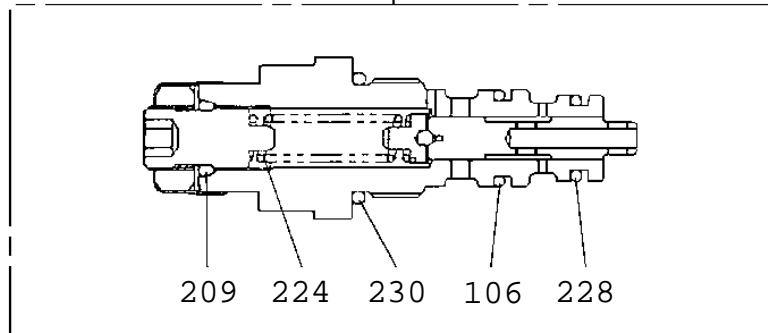


TM-ZF360 41102210360A FRAME/STD,REMOTE-RADIO CONT.,HOOK-IN
PV1020174-03 VALVE,REMOTE CONTROL (NACHI)

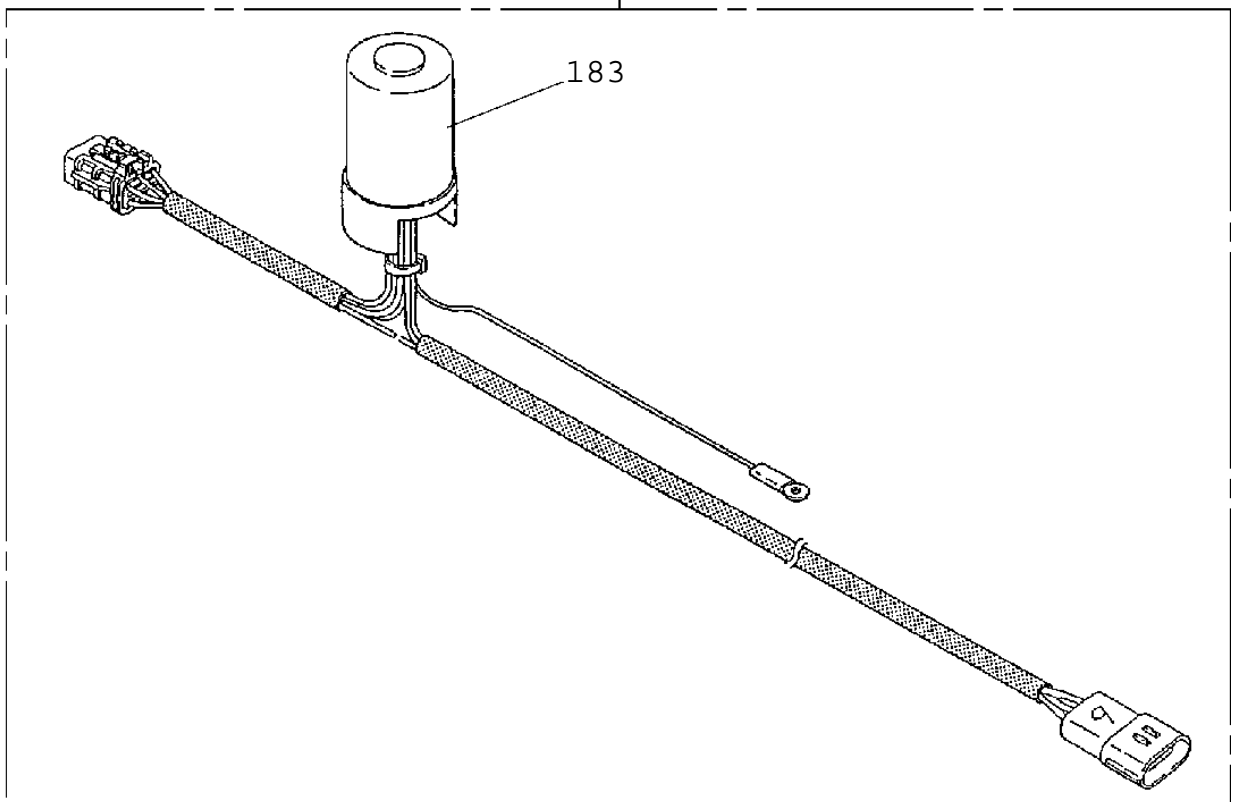
38



39

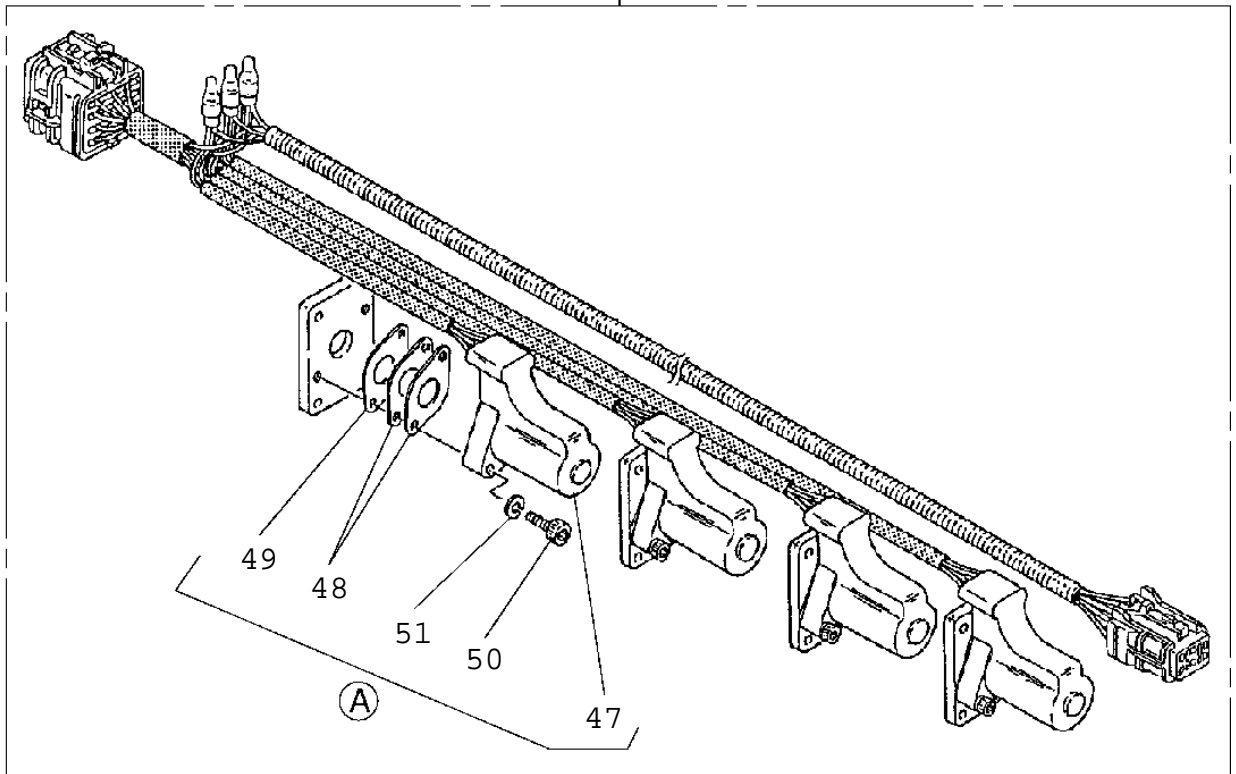


344

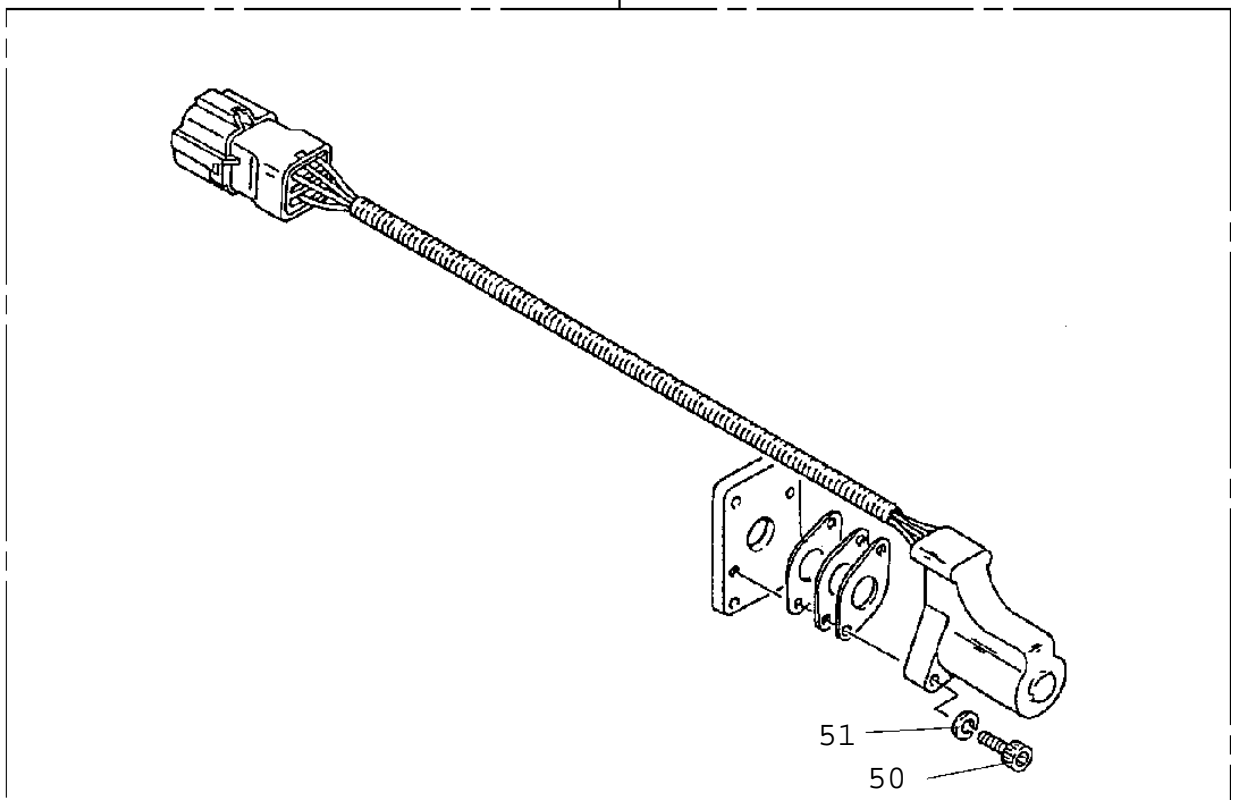


TM-ZF360 41102210360A FRAME/STD,REMOTE-RADIO CONT.,HOOK-IN
PV1020174-03 VALVE,REMOTE CONTROL (NACHI)

346



347



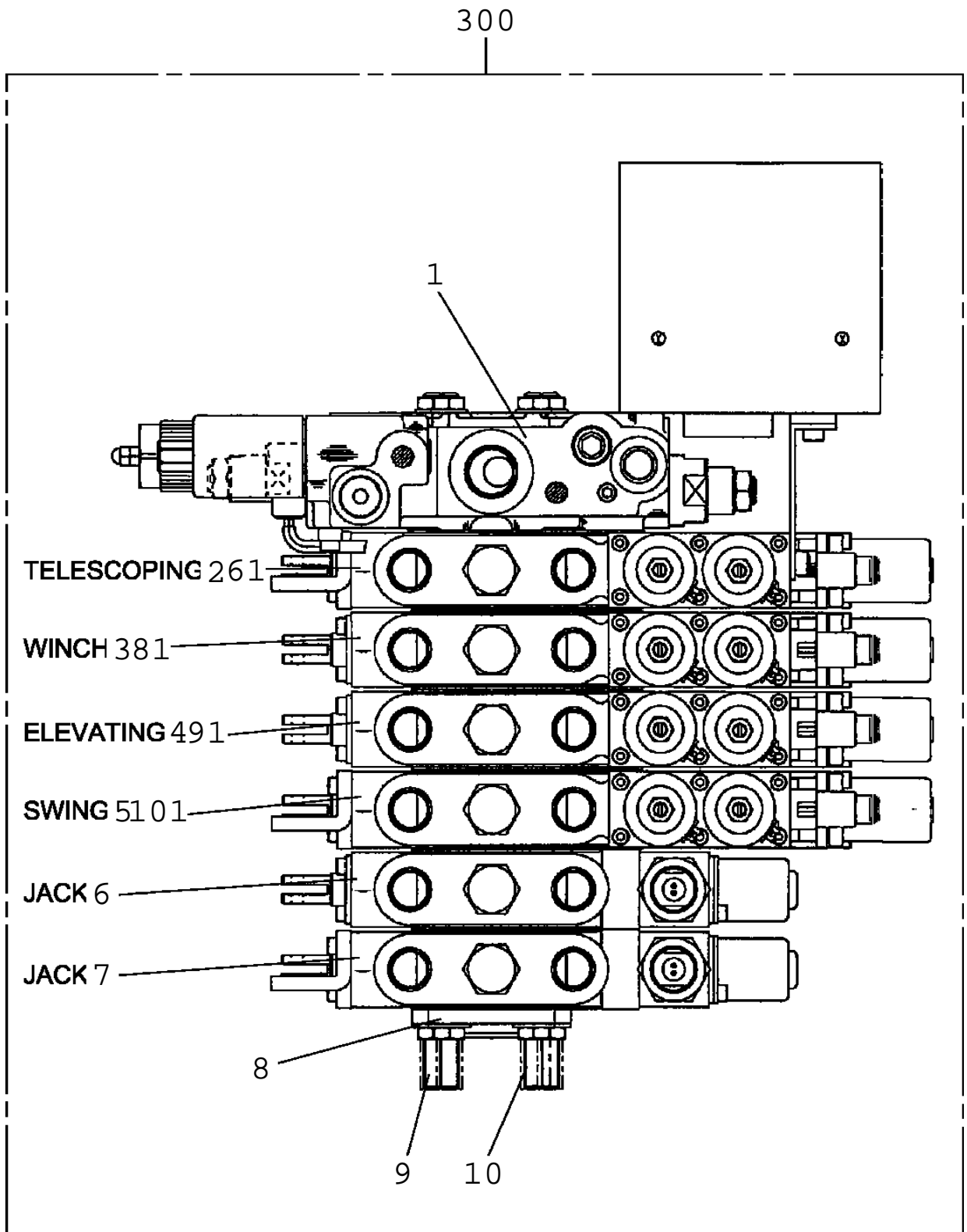
TM-ZF360 41102210360A FRAME/STD,REMOTE-RADIO CONT.,HOOK-IN

Pos No.	Parts No	Parts Name	Qty	Unit	Technical Data	Ser
1	36644795012	BLOCK,R.G.B.	1			
6	36645155060	BLOCK,VALVE (JACK)	1			
7	36645155071	BLOCK,VALVE (JACK)	1			
8	36642415490	PLATE	1			
9	36644405040	SCREW	4			
10	36646285060	CAP	4			
11	36643725281	VALVE,SOLENOID	1		28V	
22	36644795100	CAP				
24	36645155090	SPRING (A)	1			
25	36645155100	SPRING (B)	1			
26	36642415120	SPRING (C)	1			
28	36642575030	FILTER	1			
33	91001100600	O-RING	10		1A P6	
34	91002802500	O-RING	1		1B P25	
35	91001205500	O-RING	7		1A G55	
38	36644795031	VALVE,RELIEF	1			
39	36642415151	VALVE,REDUCING	1			
41	36645155112	BLOCK,VALVE (TELESCOPING)	1			
42	36642415250	COIL,SOLENOID (WITHOUT CONNECTOR)	8			
43	36642415230	CASE (COIL)	8			
44	36642415240	YOKE (A)	8			
45	36642415270	YOKE (B)	16			
46	36642415280	NUT	8			
47	36642415290	COIL (LVDT, WITHOUT CONNECTOR)	4			
48	36642415300	SHIM (T=0.5)	8			
49	36642415310	SHIM (T=0.2)	8			
50	36062605020	BOLT,HEXAGON SOCKET(WITH WASHER)	18		M4X15	
51	36062605030	WASHER	18			
61	36645155122	BLOCK,VALVE (WINCH)	1			
71	36645155131	BLOCK,VALVE (ELEVATING)	1			
81	36644795070	BLOCK,VALVE (SWING)	1			
94	36642415330	SPRING	5			
99	36642415340	SPRING	2			
100	36642415320	PLATE	5			
101	36642415220	RING,BACKUP	8			
105	91001101400	O-RING	12		1A P14	
106	91002801400	O-RING	7		1B P14	
109	36645155160	SWITCH ASSY	2			
111	36645155170	SPRING (A)	2			
112	36645155180	SPRING (B)	2			
123	36642415351	COIL KIT (28V.WITH SPRING & O-RING)	1			
124	36643725170	LOCK ASSY	1			
126	36370105600	O-RING	1			
127	91002800800	O-RING	2		1B P8	
128	91000501300	O-RING	2		AS568-013	
129	36643725180	O-RING	1			
130	91001101250	O-RING	1		1B P12.5	
131	91000501700	O-RING	11			
145	36645605110	PLATE (FULCRUM)	3			
183	91001003500	O-RING	1		S35	
205	36642415160	SPRING	1			
206	36647285390	SPRING	1			
209	91002801000	O-RING	2		1B P10	
210	91002801001	O-RING	1		1B P10A	
212	91000501800	O-RING	1		ARP568-018	
213	91002802200	O-RING	1		1B P22	
224	36647985350	SPRING	1			
228	91002801200	O-RING	1		1B P12	
230	91002802000	O-RING	1		1B P20	
245	36642415210	SPRING	4			
252	91001101001	O-RING	8		1A P10A	
255	91001102100	O-RING	4		1A P21	
256	91001102200	O-RING	4		1A P22	
258	91001000900	O-RING	12		S9	
259	91411001400	RING,BACKUP	4		P14	
260	91411002100	RING,BACKUP	8		P21	
274	36643725310	PLUNGER	8			
275	36643725320	GUIDE (SOLENOID)	8			
277	80560055000	BALL,STEEL	16		3/16	
278	36642415260	BALL,STEEL	8			
280	91001001800	O-RING	8		S18	
341	36642415450	BOX	1			
342	36642415360	COVER (BOX)	1			
343	36645155190	CABLE (METAL CONNECTOR)	1			

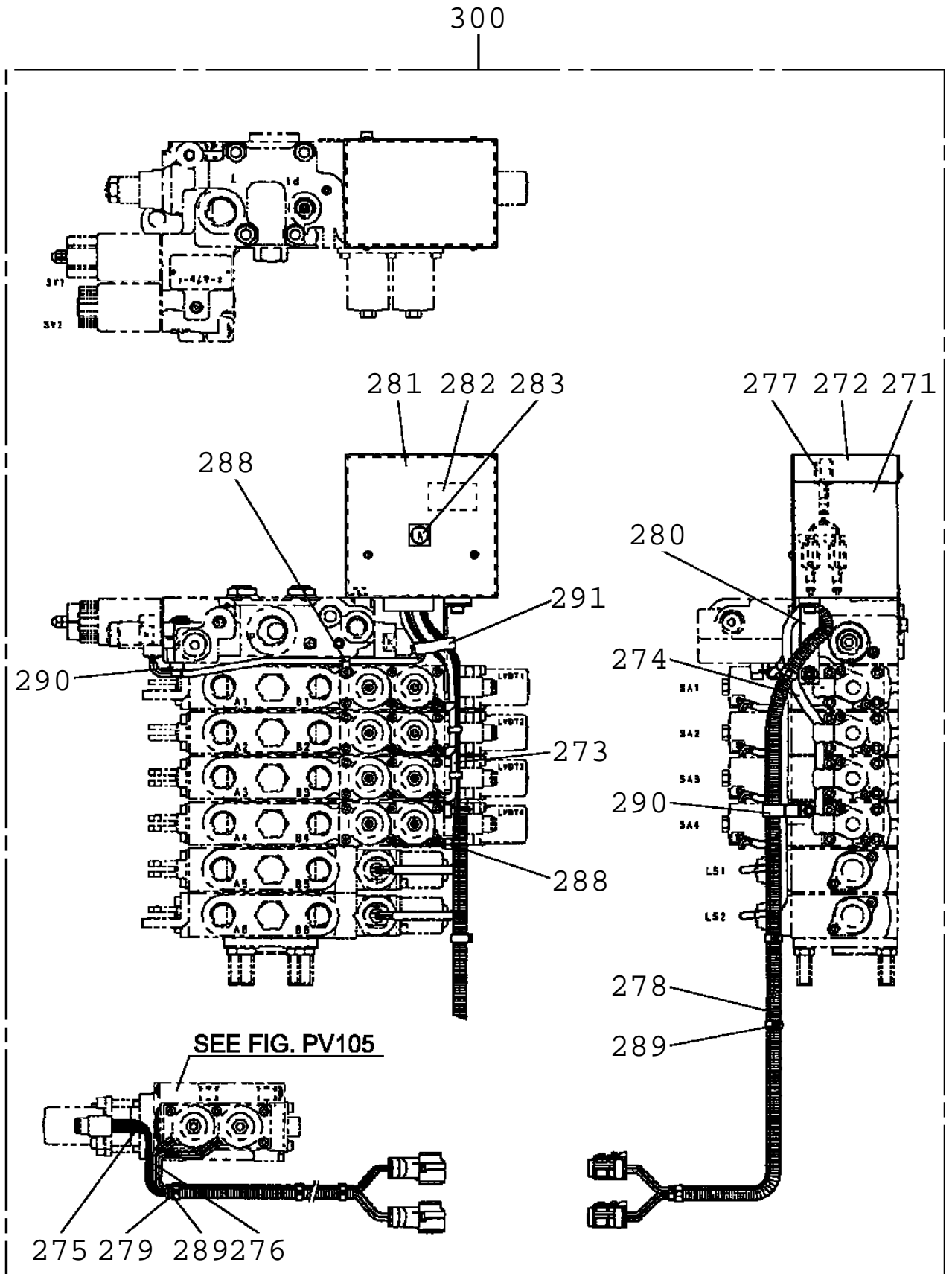
TM-ZF360 41102210360A FRAME/STD,REMOTE-RADIO CONT.,HOOK-IN

Pos No.	Parts No	Parts Name	Qty	Unit	Technical Data	Ser
344	36645815110	HARNESS (B6HS)	1			
345	36645815120	HARNESS	1			
346	36645815130	HARNESS	1			
347	36645155230	COIL ASSY (LVDT/EHS)	1			
348	36645155240	COIL ASSY (FHS)	1			
349	36643725260	ANGLE	1			
350	36645815140	INSULOCK	1			
351	36645815150	BOLT,HEXAGON SOCKET	5			
352	36645815160	WASHER,PLAIN	6			
353	36645815170	CLIP	3			
354	36645815180	INSULOCK	10			
355	80172303005	SCREW,MACHINE	4		M3X5	
356	36645815190	WASHER,SPRING	4			
357	36645815200	SEAT (RUBBER)	1			
358	36645815210	STICKER	1			
359	36645815220	INSULOCK	2			
360	36645815240	BOLT,HEXAGON SOCKET	1			
361	36645815230	SEAT (RUBBER)	1			
362	36645155260	CONNECTOR ASSY	1			
400	36645150001	VALVE,REMOTE CONTROL (NACHI)	1			

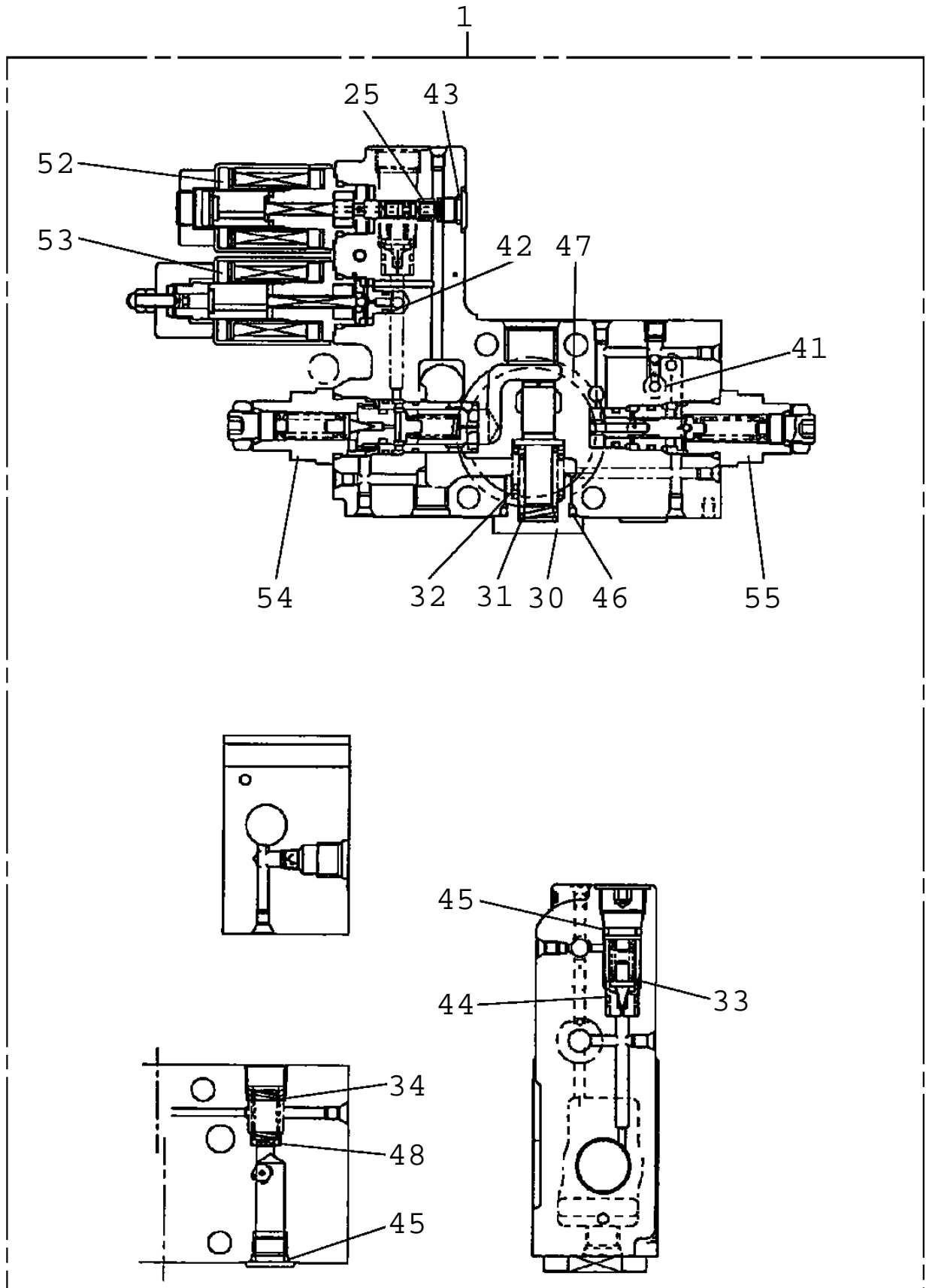
TM-ZF360 41102210360A FRAME/STD,REMOTE-RADIO CONT.,HOOK-IN
PV1020230-03 VALVE,REMOTE CONTROL (NACHI)



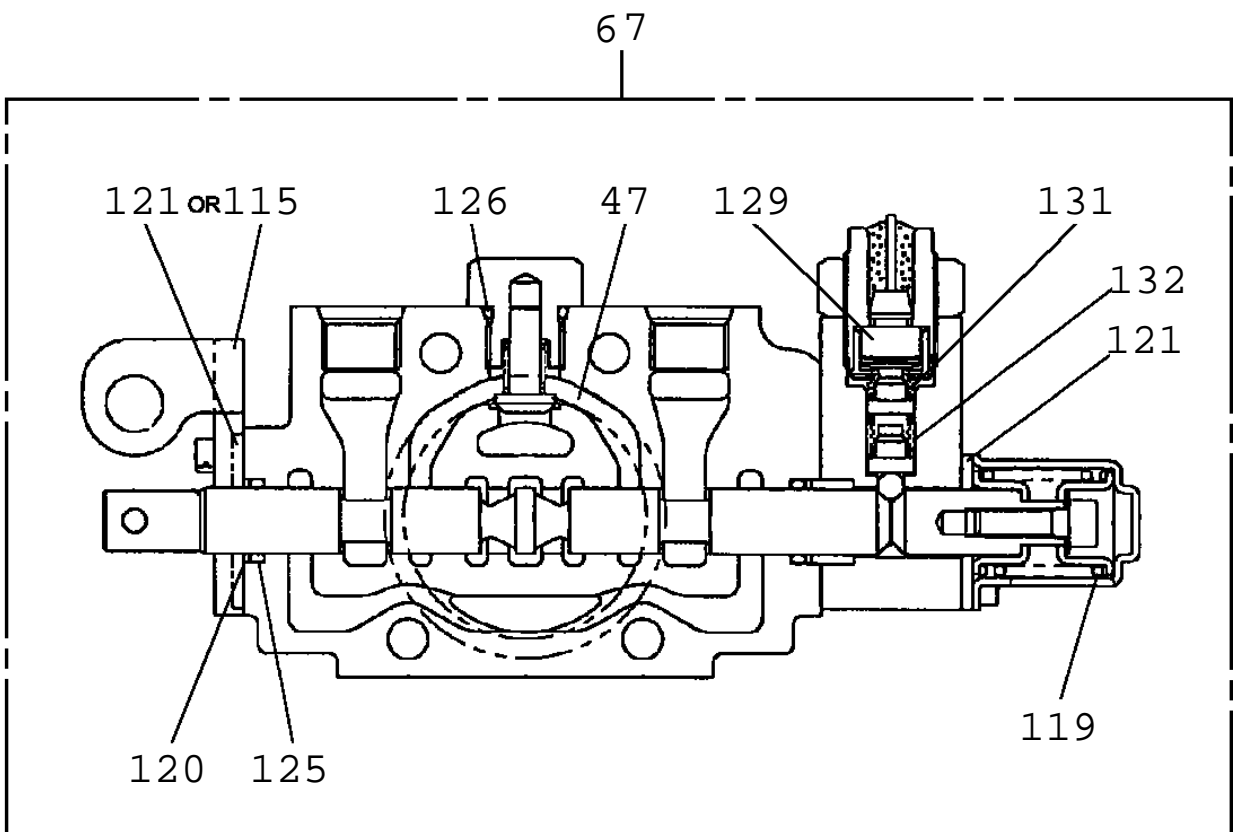
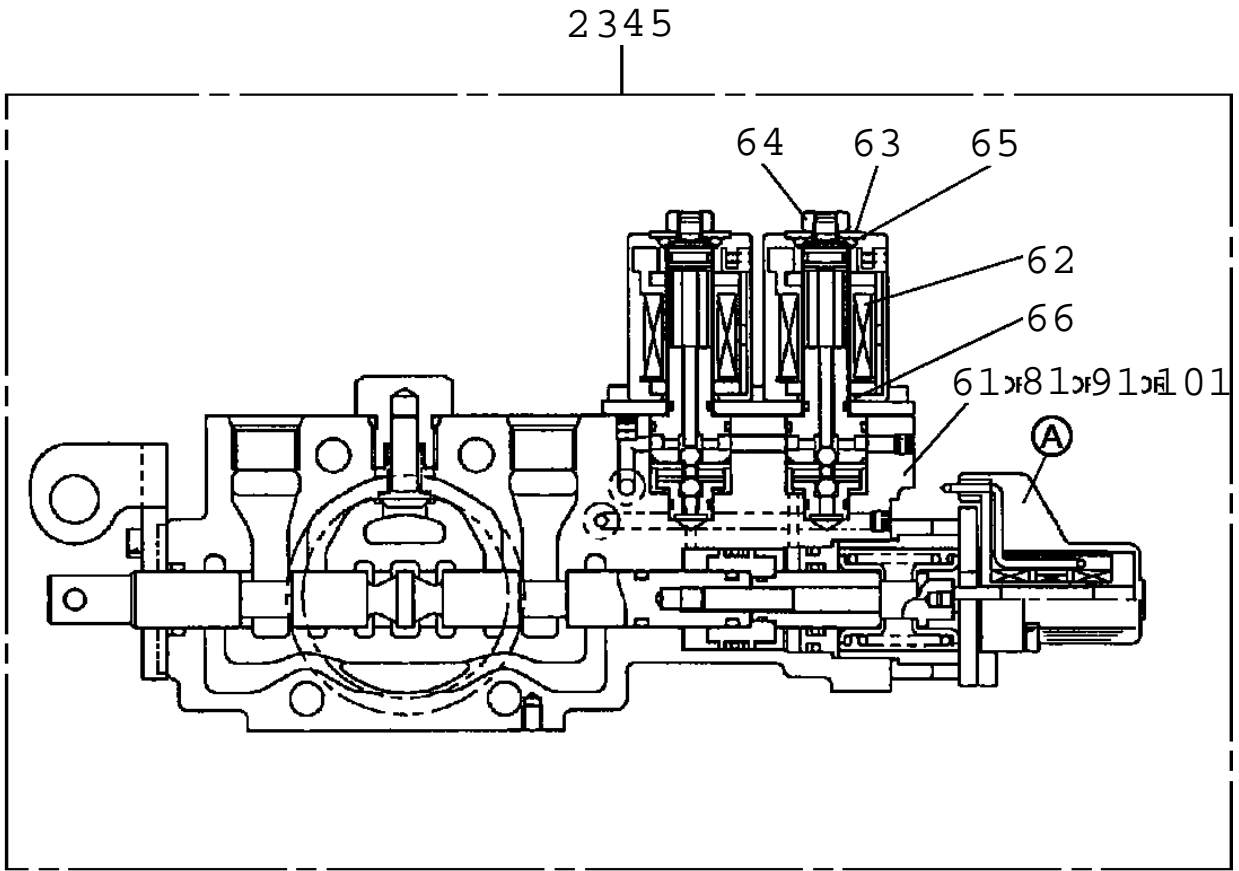
TM-ZF360 41102210360A FRAME/STD,REMOTE-RADIO CONT.,HOOK-IN
 PV1020230-03 VALVE,REMOTE CONTROL (NACHI)



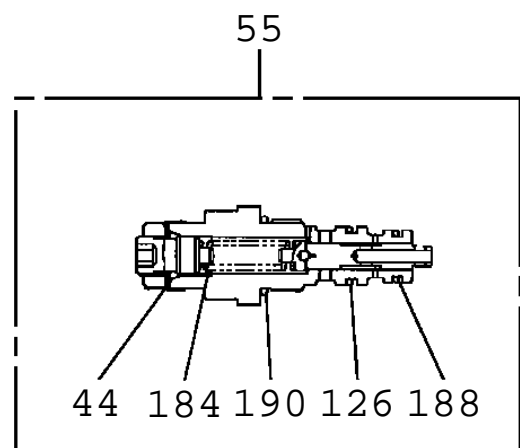
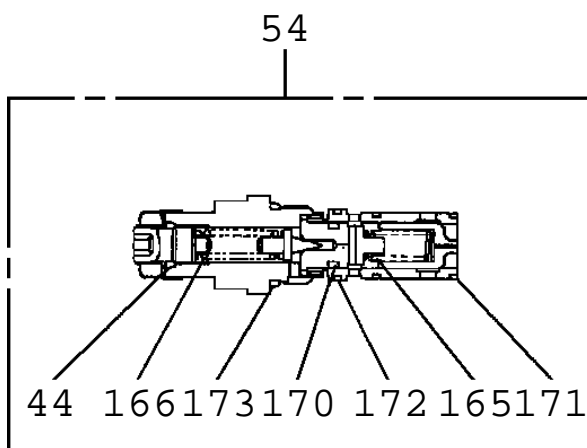
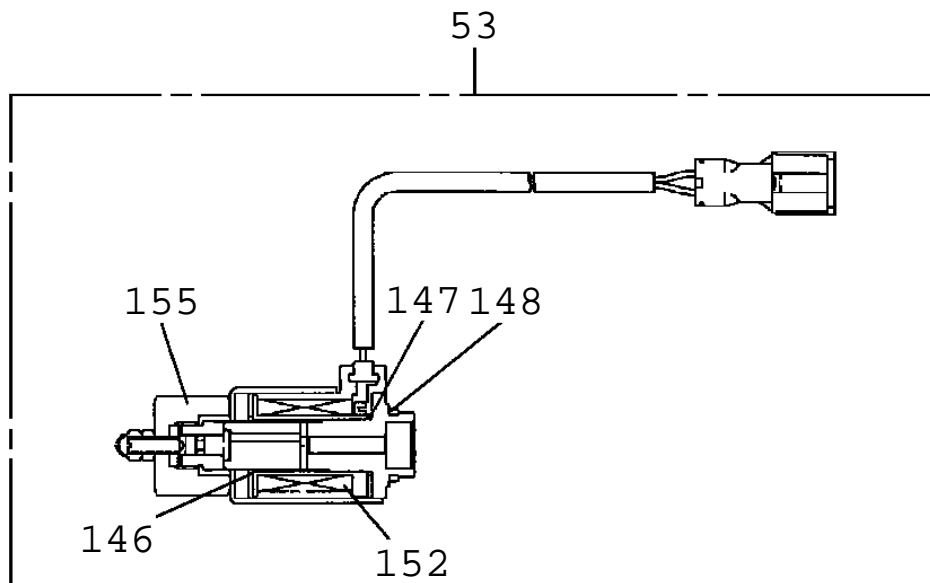
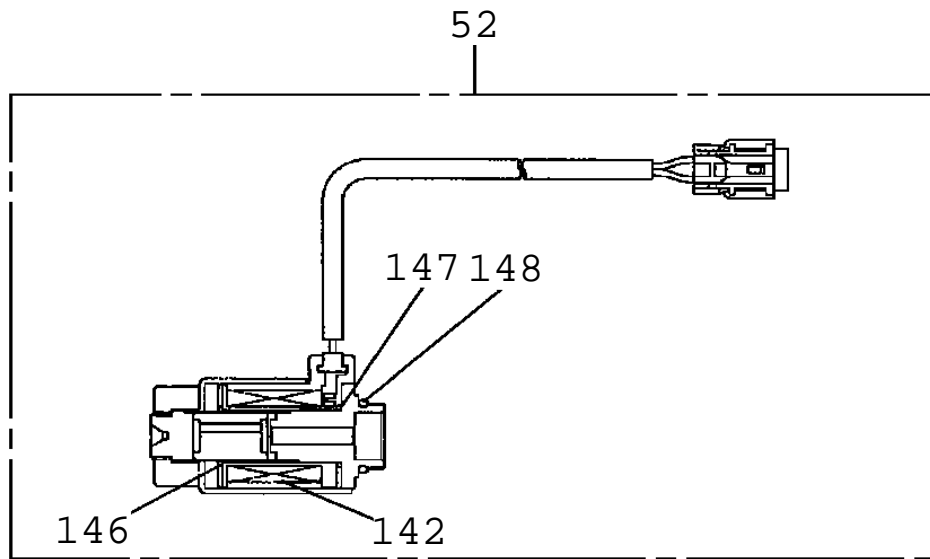
TM-ZF360 41102210360A FRAME/STD,REMOTE-RADIO CONT.,HOOK-IN
PV1020230-03 VALVE,REMOTE CONTROL (NACHI)



TM-ZF360 41102210360A FRAME/STD,REMOTE-RADIO CONT.,HOOK-IN
 PV1020230-03 VALVE,REMOTE CONTROL (NACHI)

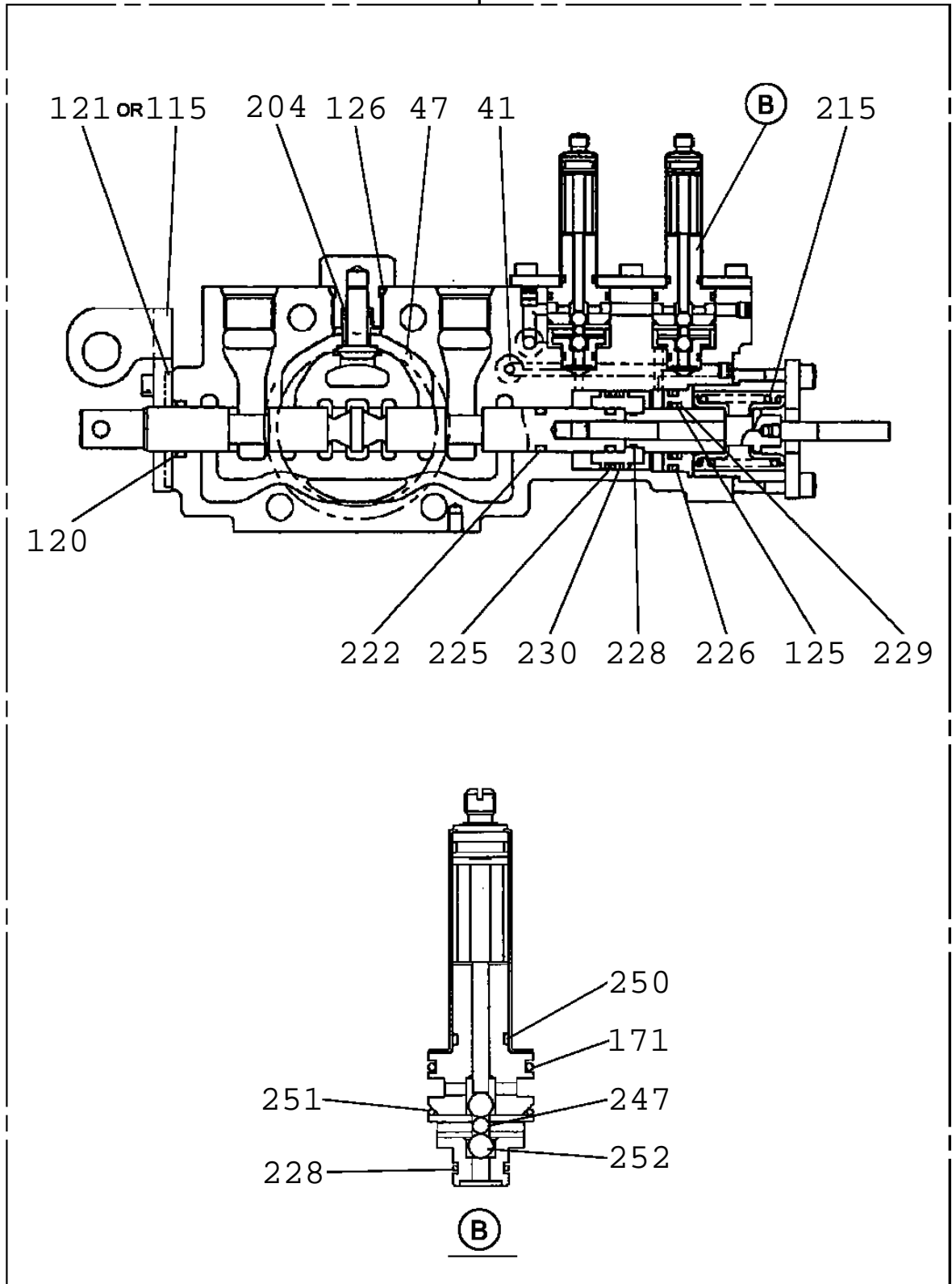


TM-ZF360 41102210360A FRAME/STD,REMOTE-RADIO CONT.,HOOK-IN
 PV1020230-03 VALVE,REMOTE CONTROL (NACHI)



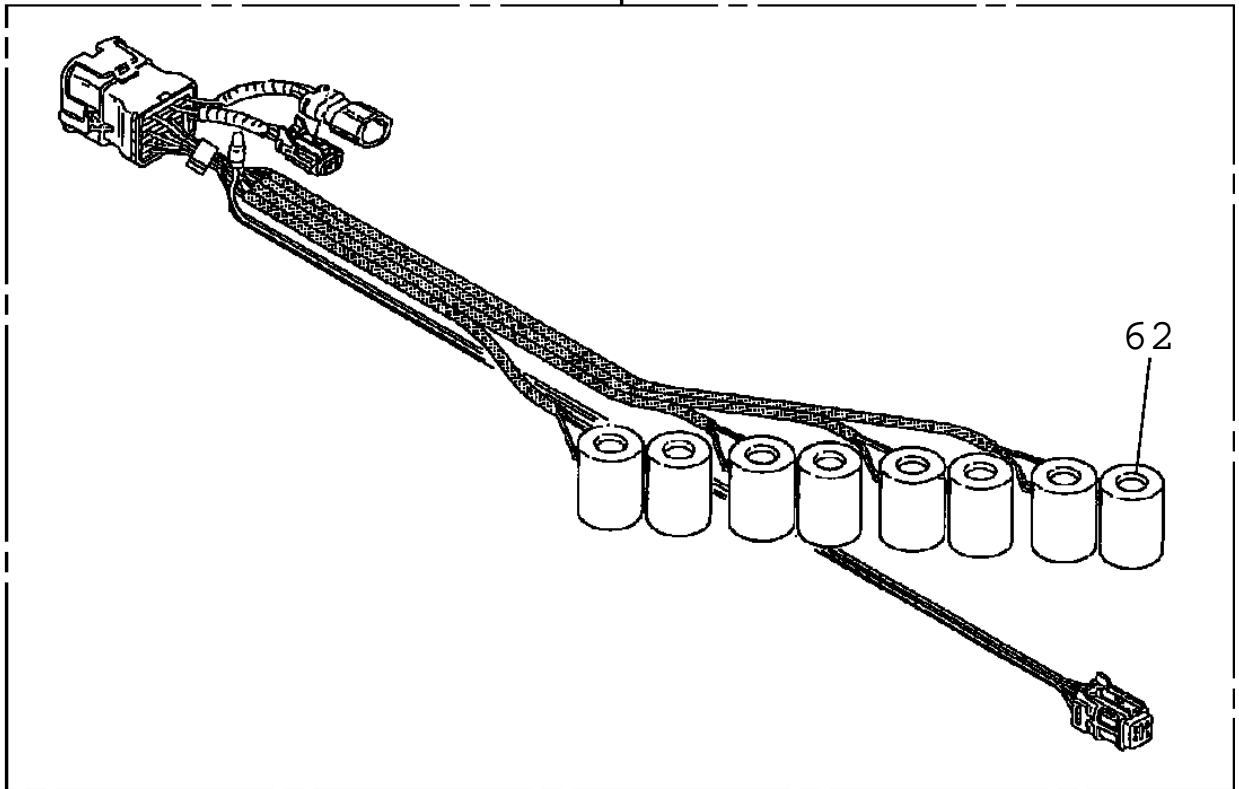
TM-ZF360 41102210360A FRAME/STD,REMOTE-RADIO CONT.,HOOK-IN
PV1020230-03 VALVE,REMOTE CONTROL (NACHI)

618191101

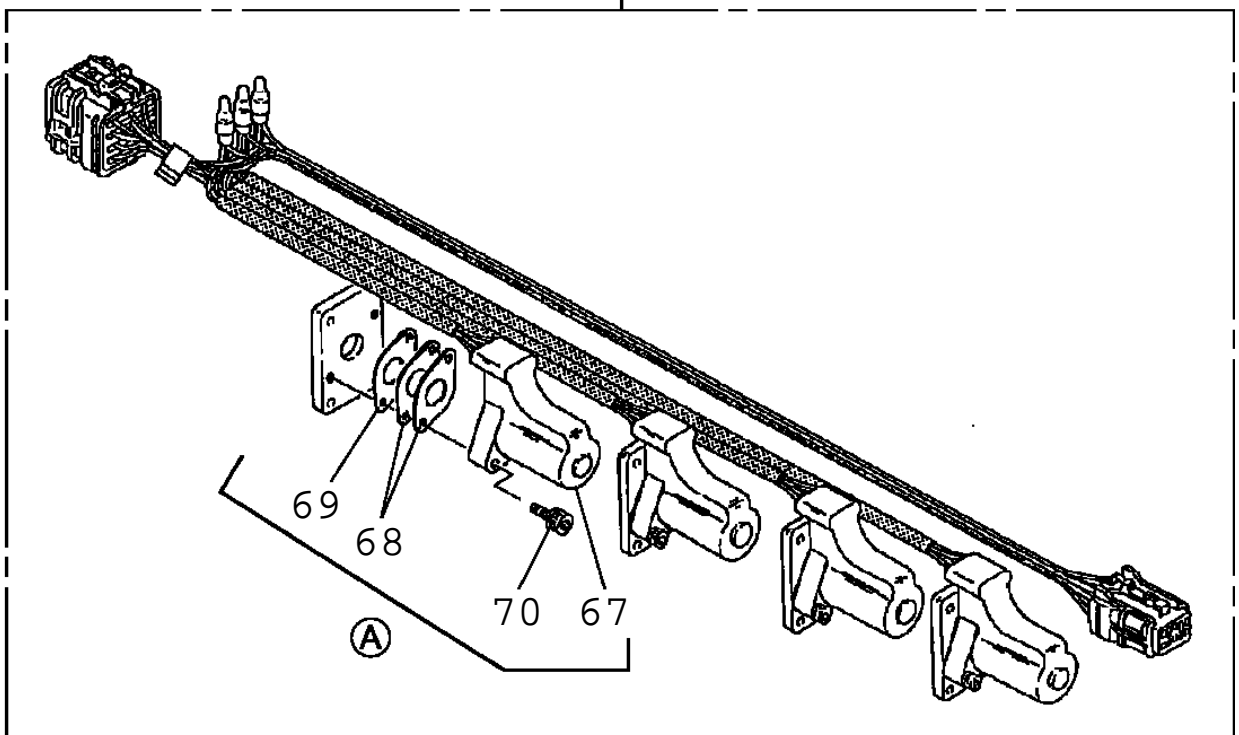


TM-ZF360 41102210360A FRAME/STD,REMOTE-RADIO CONT.,HOOK-IN
PV1020230-03 VALVE,REMOTE CONTROL (NACHI)

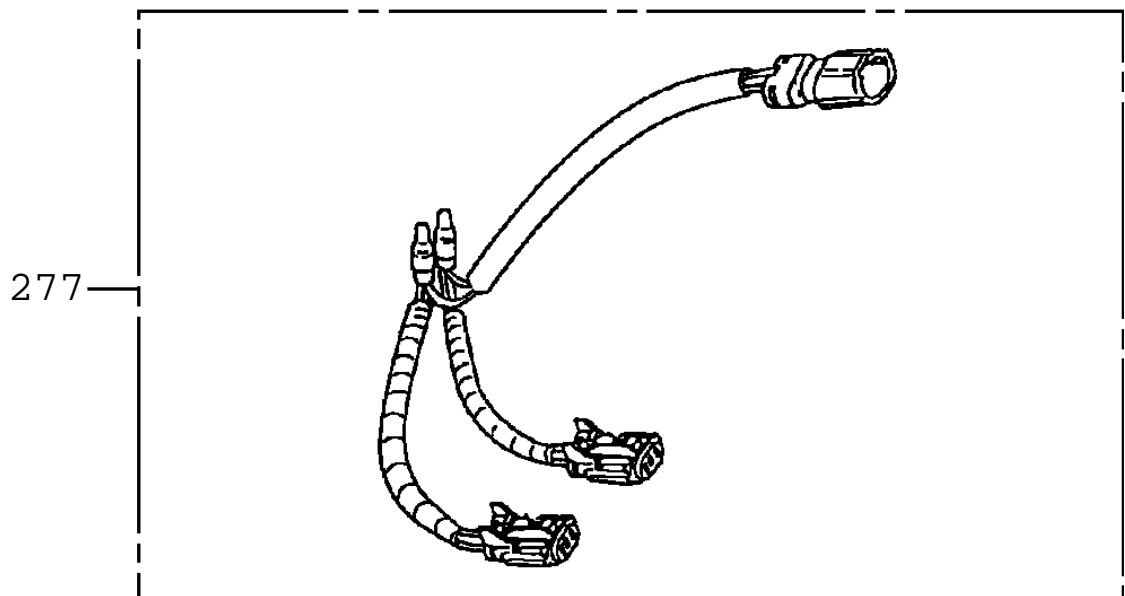
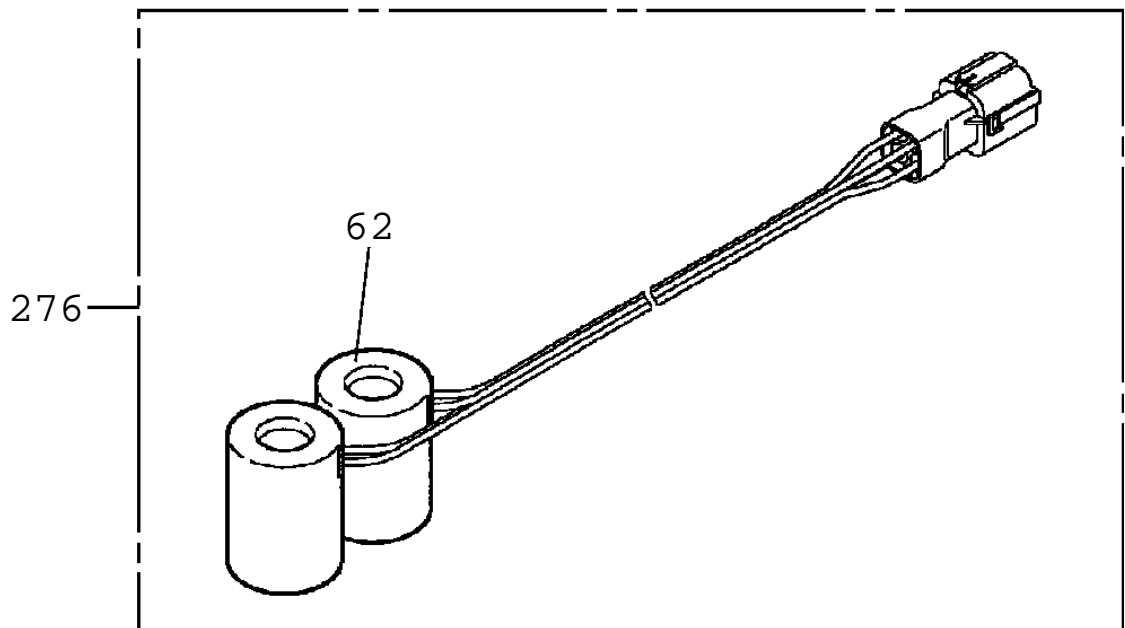
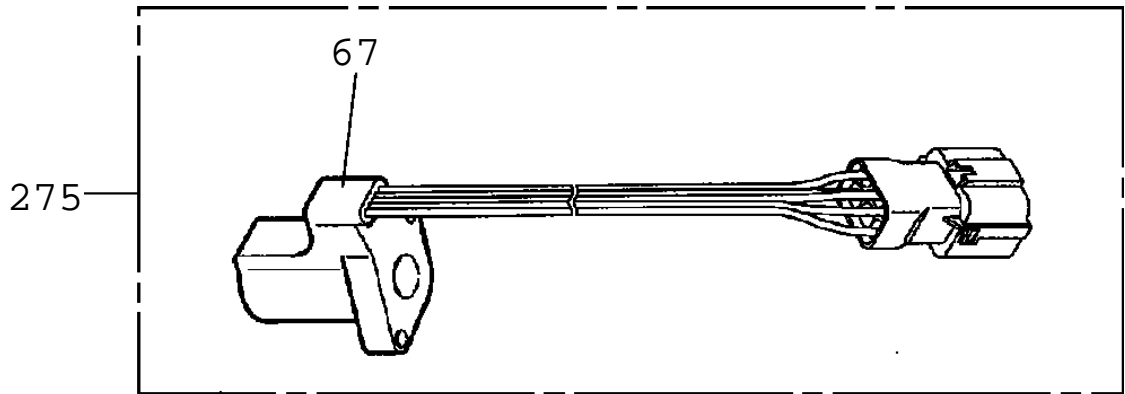
273



274



TM-ZF360 41102210360A FRAME/STD,REMOTE-RADIO CONT.,HOOK-IN
PV1020230-03 VALVE,REMOTE CONTROL (NACHI)



TM-ZF360 41102210360A FRAME/STD,REMOTE-RADIO CONT.,HOOK-IN

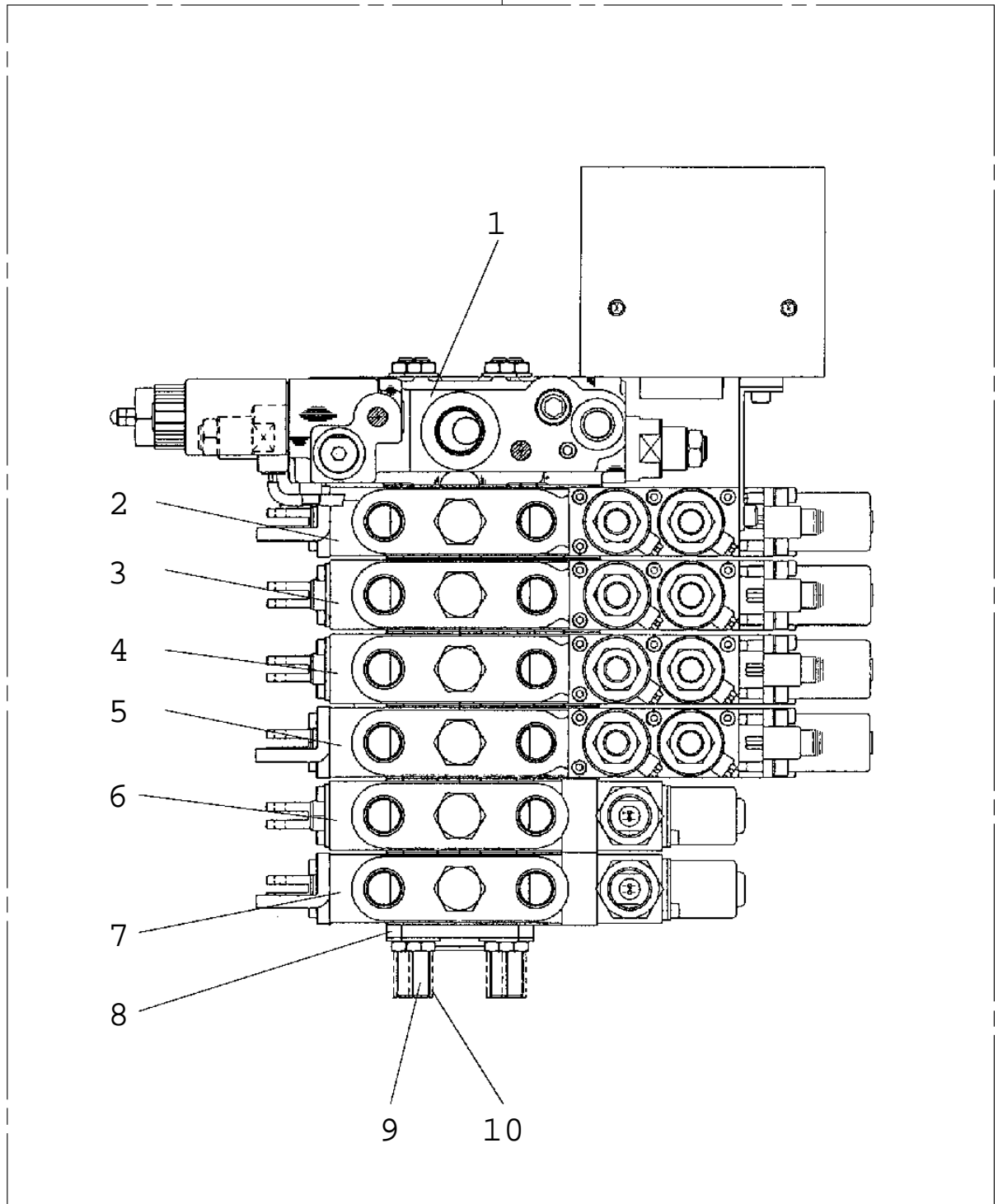
Pos No.	Parts No	Parts Name	Qty	Unit	Technical Data	Ser
1	36647985010	BLOCK,R.G.B.	1			
2	36647985020	VALVE,CONTROL (TELESCOP/WITH COIL)	1			
3	36647985030	VALVE,CONTROL (WINCH/WITH COIL)	1			
4	36647985040	VALVE,CONTROL (ELEVATING/WITH COIL)	1			
5	36647985051	VALVE,CONTROL (SWING,WITH COIL)	1			EP1
6	36647985060	VALVE,CONTROL (JACK)	1			
7	36647985070	VALVE,CONTROL (JACK)	1			
8	36642415490	PLATE	1			
9	36647985080	BOLT,TIE	4			
10	36646285060	CAP	4			
25	36647985090	SPRING	1			
30	36644795100	CAP	1			
31	36647285170	SPRING (A)	1			
32	36646165070	SPRING (B)	1			
33	36644795041	SPRING	1			
34	70320127630	SPRING	1			
41	91001100600	O-RING	10		1A P6	
42	91002800600	O-RING	1		1B P6	
43	91002800800	O-RING	1		1B P8	
44	91002801000	O-RING	3		1B P10	
45	91002801100	O-RING	2		1B P11	
46	91002802500	O-RING	1		1B P25	
47	91001205500	O-RING	7		1A G55	
48	36647285010	FILTER	1			
52	36647985100	SOLENOID KIT (FOR LOW PRESSURE)	1			
53	36647985110	SOLENOID KIT (FOR UNLOAD)	1			
54	36644795031	VALVE,RELIEF	1			
55	36642415151	VALVE,REDUCING	1			
61	36647985150	VALVE,CONTROL (TELESCOPING)	1			
62	36647985160	COIL,SOLENOID	8			
63	36647645050	WASHER	8			
64	36647645060	NUT	8			
65	91001101100	O-RING	8		1A P11	
66	91001001200	O-RING	8		1A S12	
67	36647985170	COIL	4			
68	36642415300	SHIM (T=0.5)	8			
69	36642415310	SHIM (T=0.2)	8			
70	36062605020	BOLT,HEXAGON SOCKET(WITH WASHER)	8		M4X15	
81	36647985180	VALVE,CONTROL (WINCH)	1			
91	36647985190	VALVE,CONTROL (ELEVATING)	1			
101	36647985201	VALVE,CONTROL (SWING)	1			EP1
115	36645605110	PLATE (FULCRUM)	3			
119	36642415340	SPRING	2			
120	36642415220	RING,BACKUP	8			
121	36642415320	PLATE	5			
125	91001101400	O-RING	12		1A P14	
126	91002801400	O-RING	7		1B P14	
129	36645155160	SWITCH ASSY	2			
131	36645155170	SPRING (A)	2			
132	36645155180	SPRING (B)	2			
142	36647985120	COIL,SOLENOID	1			
146	91001001500	O-RING	2		1A S15	
147	91001001600	O-RING	2		1A S16	
148	91001101800	O-RING	2		1A P18	
152	36647985130	COIL,SOLENOID	1			
155	36647985140	LOCK ASSY	1			
165	36642415160	SPRING	1			
166	36647285390	SPRING	1			
170	91002801001	O-RING	1		1B P10A	
171	91000501700	O-RING	10			
172	91000501800	O-RING	1		ARP568-018	
173	91002802200	O-RING	1		1B P22	
184	36647985350	SPRING	1			
188	91002801200	O-RING	1		1B P12	
190	91002802000	O-RING	1		1B P20	
204	36642415330	SPRING	3			
215	36642415210	SPRING	4			
222	91001101001	O-RING	8		1A P10A	
225	91001102100	O-RING	4		1A P21	
226	91001102200	O-RING	4		1A P22	
228	91001000900	O-RING	9		S9	
	91001000900	O-RING	3		S9	
229	91411001400	RING,BACKUP	4		P14	EP1
230	91411002100	RING,BACKUP	8		P21	

TM-ZF360 41102210360A FRAME/STD,REMOTE-RADIO CONT.,HOOK-IN

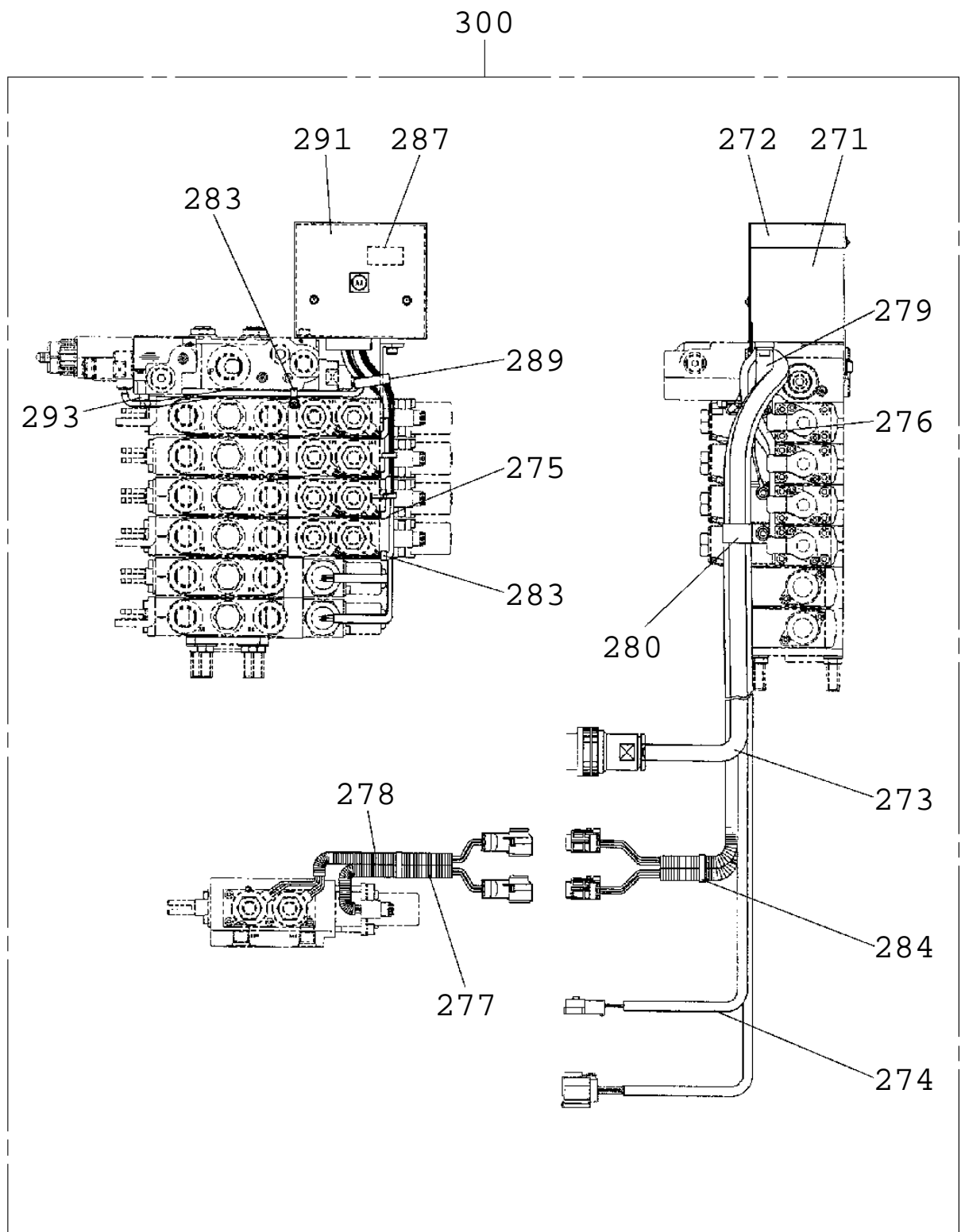
Pos No.	Parts No	Parts Name	Qty	Unit	Technical Data	Ser
247	36647285340	BALL,STEEL	8			
250	36647285350	O-RING	8			
251	91001001800	O-RING	8		S18	
252	80560055000	BALL,STEEL	16		3/16	
271	36647985240	BOX	1			
272	36647985250	COVER	1			
273	36647985260	HARNESS ASSY (WITH COIL)	1			
274	36647985270	HARNESS ASSY (WITH COIL)	1			
275	36647985280	HARNESS ASSY (WITH COIL)	1			
276	36647985290	HARNESS ASSY (WITH COIL)	1			
277	36647985300	HARNESS ASSY	1			
278	36647985310	TUBE,CORRUGATE	1			
279	36647985320	TUBE,CORRUGATE	1			
280	36643725260	ANGLE	1			
281	36645815200	SEAT (RUBBER)	1			
282	36645815230	SEAT (RUBBER)	1			
283	36645815210	STICKER	1			
288	36645815170	CLIP	2			
289	36645815180	INSULOCK	13			
290	36647985330	TIE (INSULOCK)	2			
291	36647985340	TIE (INSULOCK)	1			
300	36647980000	VALVE,REMOTE CONTROL (NACHI)	1			

TM-ZF360 41102210360A FRAME/STD,REMOTE-RADIO CONT.,HOOK-IN
PV1020253-00 VALVE,REMOTE CONTROL

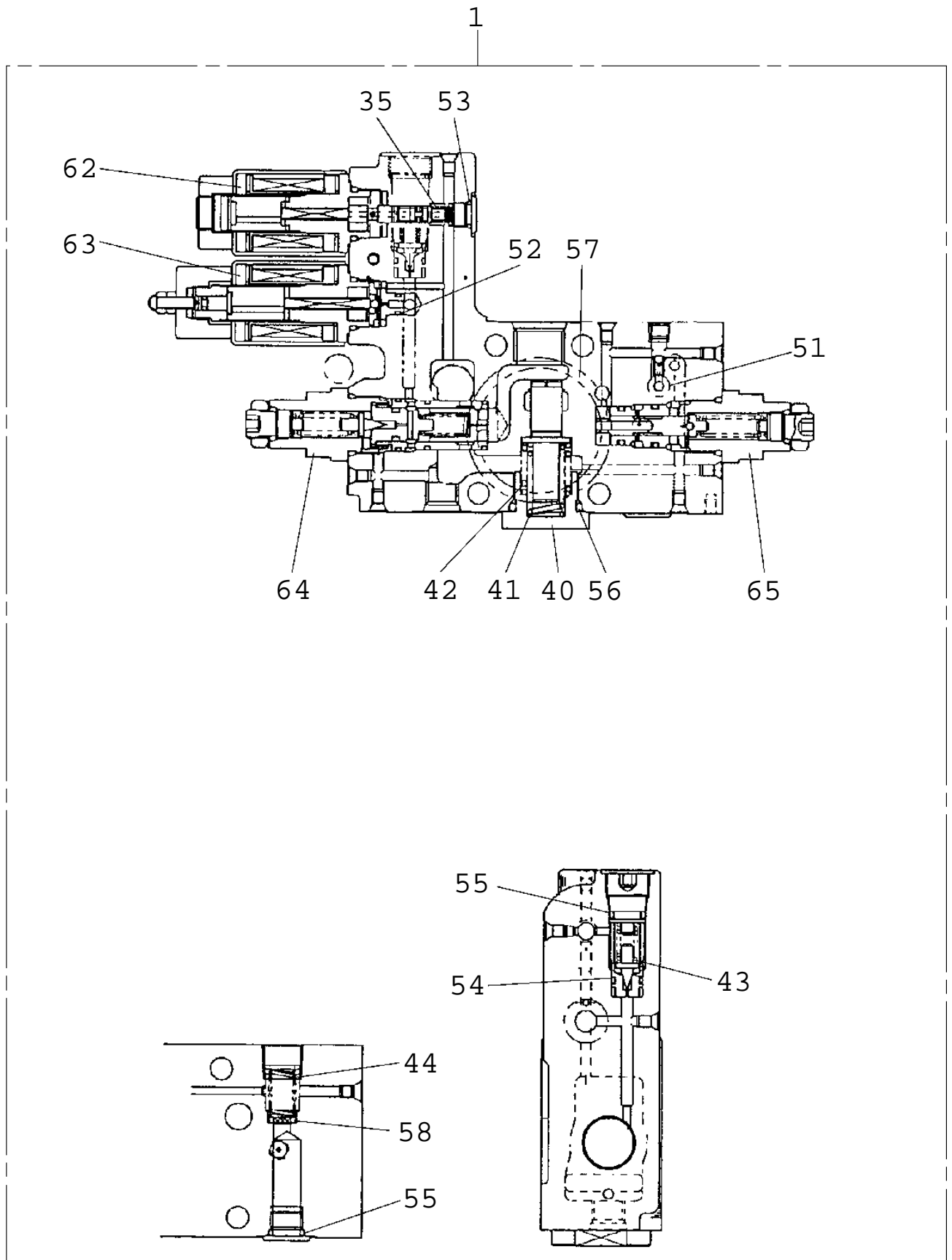
300



TM-ZF360 41102210360A FRAME/STD,REMOTE-RADIO CONT.,HOOK-IN
PV1020253-00 VALVE,REMOTE CONTROL

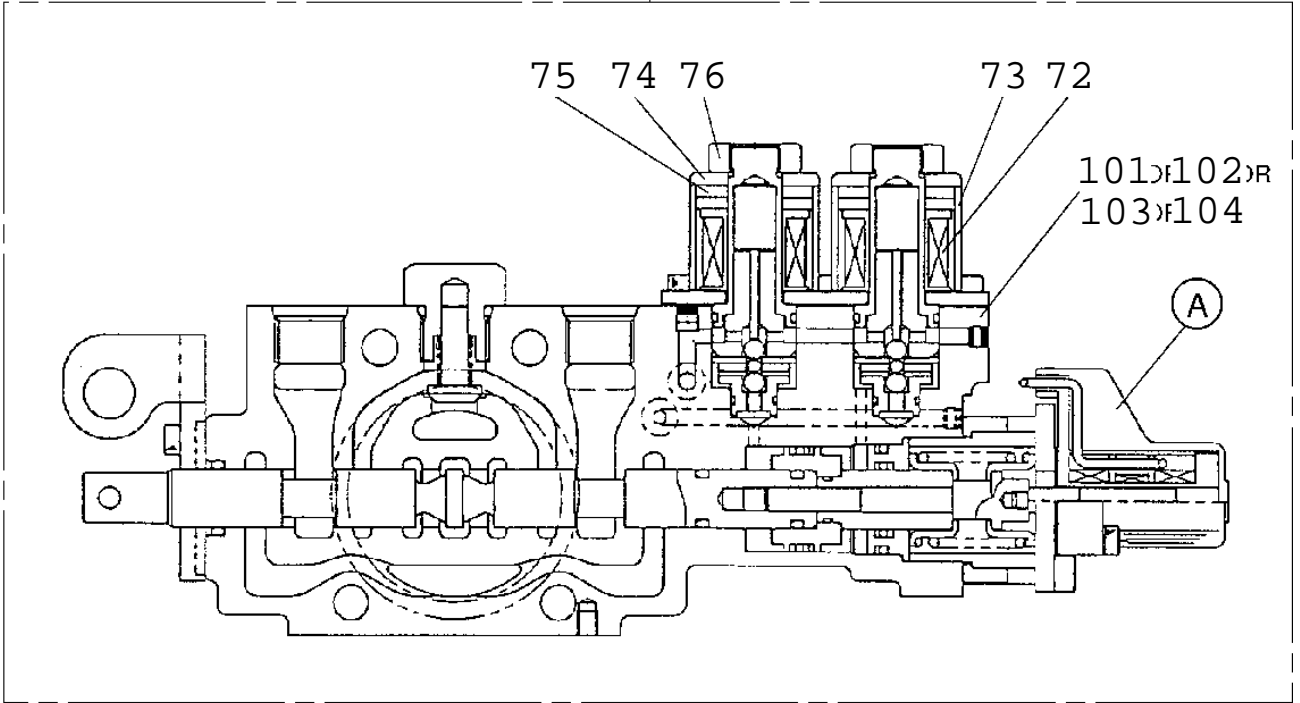


TM-ZF360 41102210360A FRAME/STD,REMOTE-RADIO CONT.,HOOK-IN
PV1020253-00 VALVE,REMOTE CONTROL

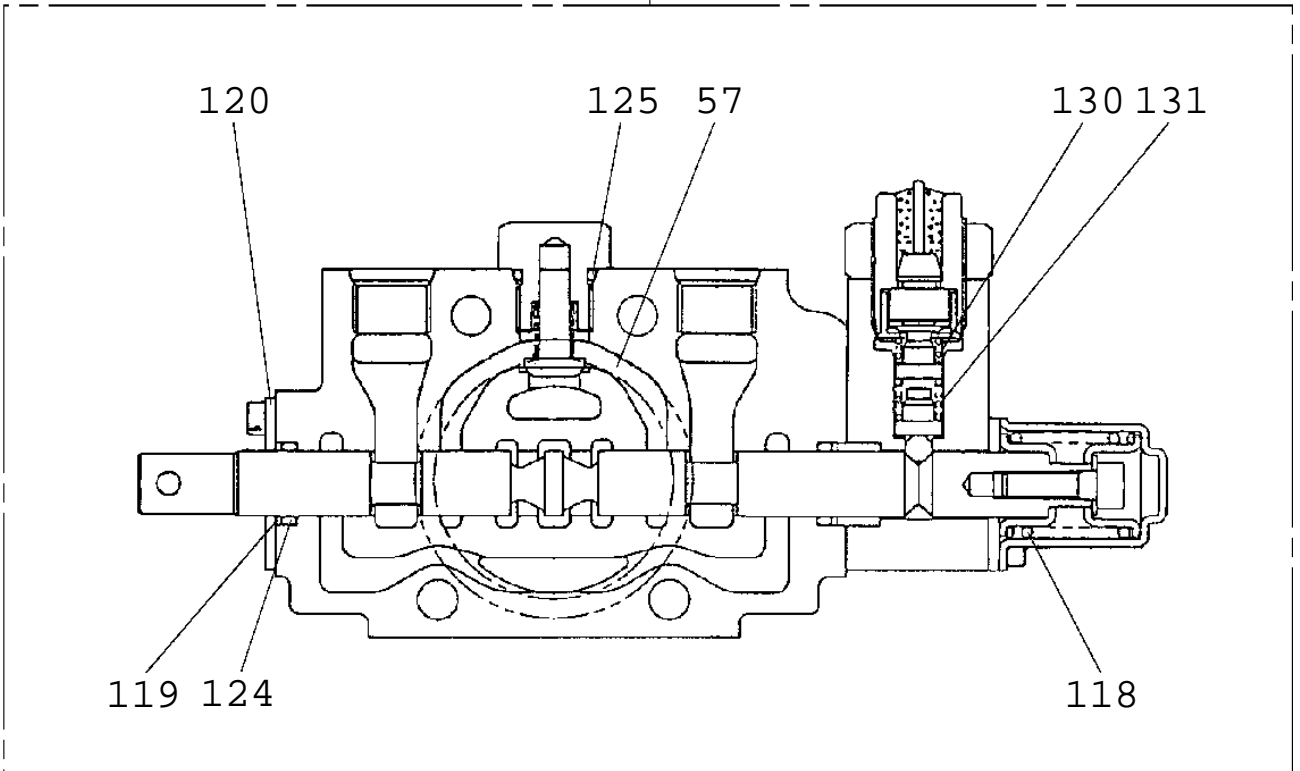


TM-ZF360 41102210360A FRAME/STD,REMOTE-RADIO CONT.,HOOK-IN
PV1020253-00 VALVE,REMOTE CONTROL

2345

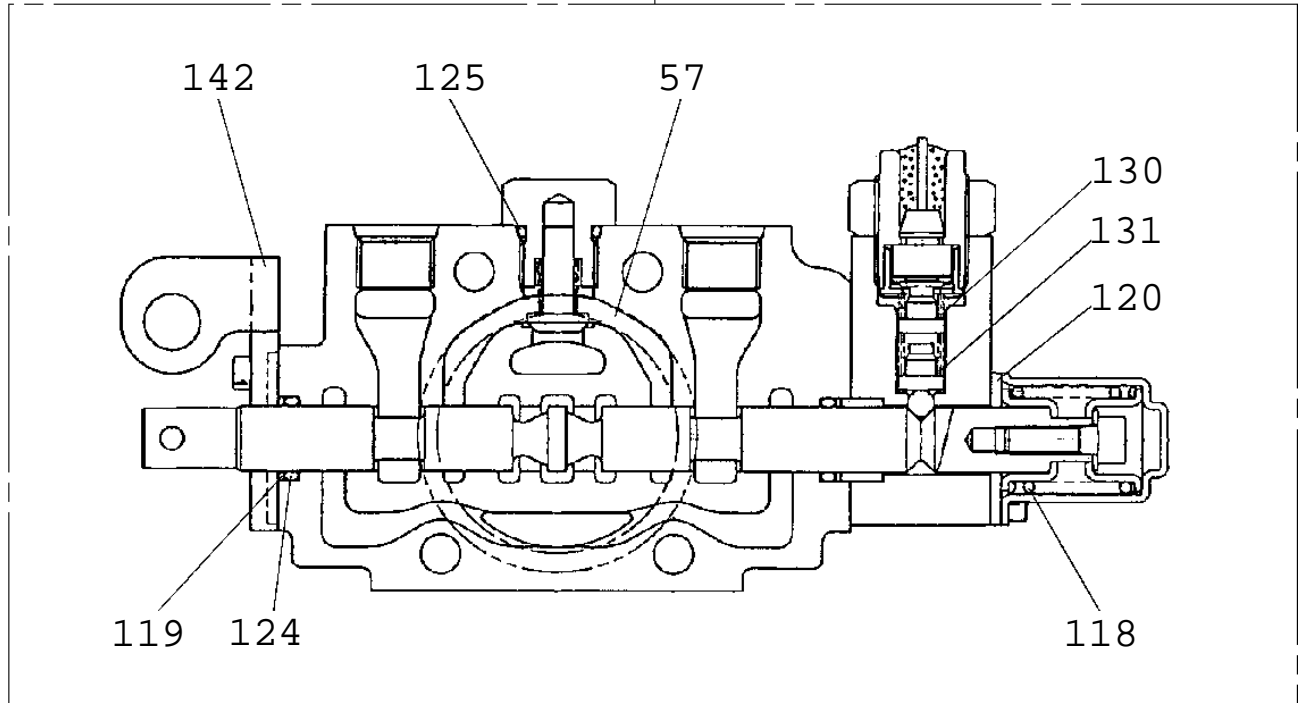


6

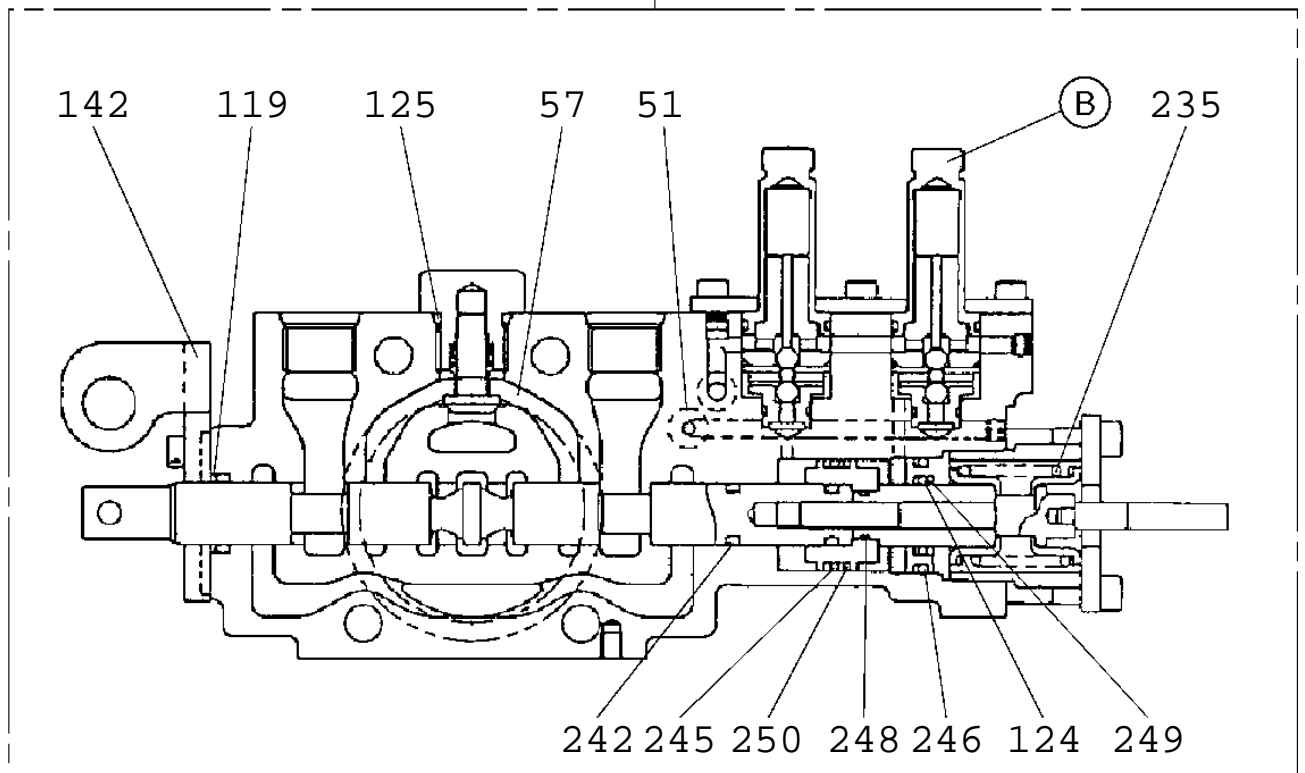


TM-ZF360 41102210360A FRAME/STD,REMOTE-RADIO CONT.,HOOK-IN
PV1020253-00 VALVE,REMOTE CONTROL

7

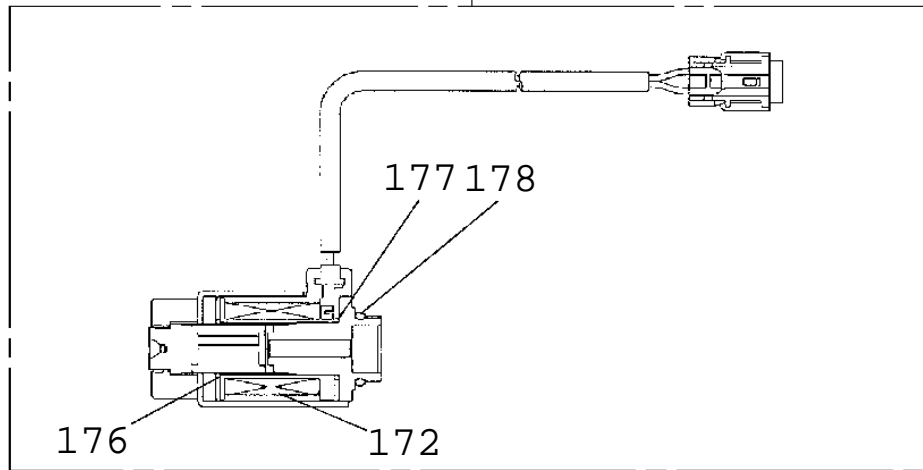


101

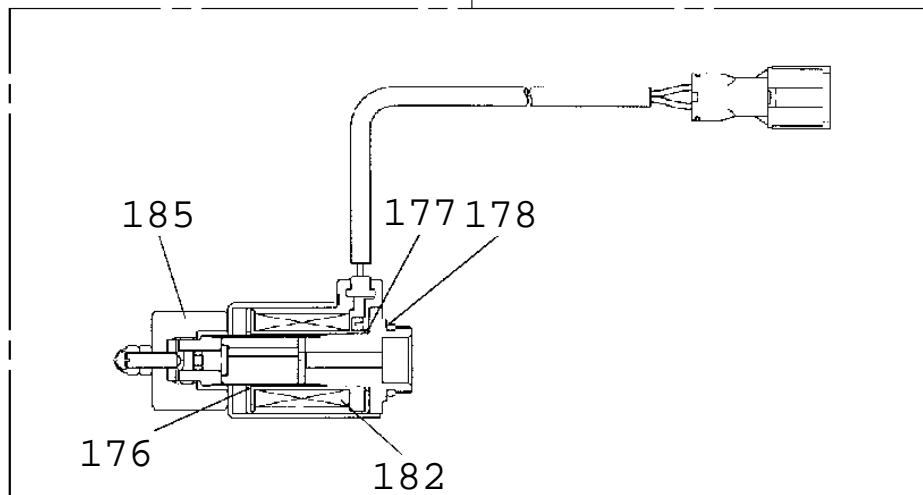


TM-ZF360 41102210360A FRAME/STD,REMOTE-RADIO CONT.,HOOK-IN
 PV1020253-00 VALVE,REMOTE CONTROL

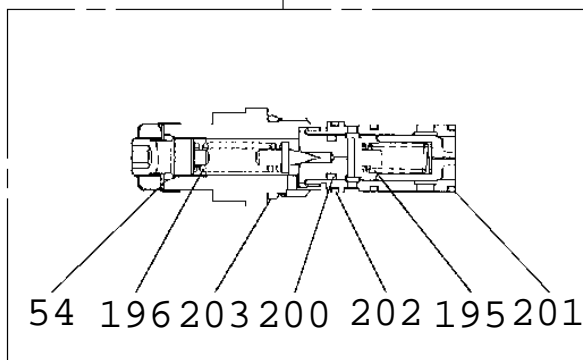
62



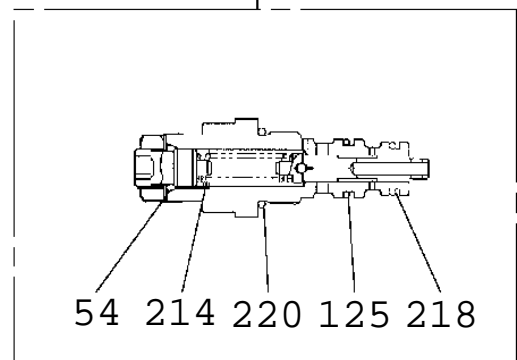
63



64

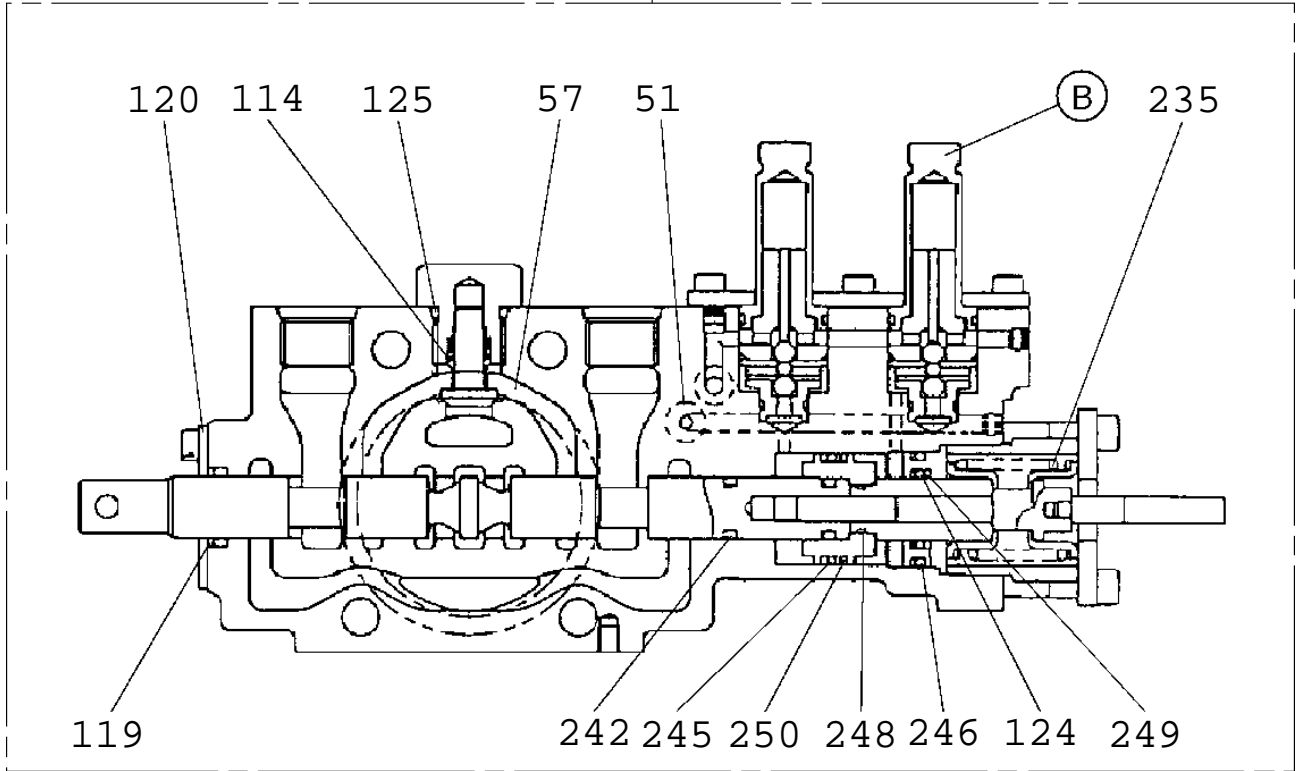


65

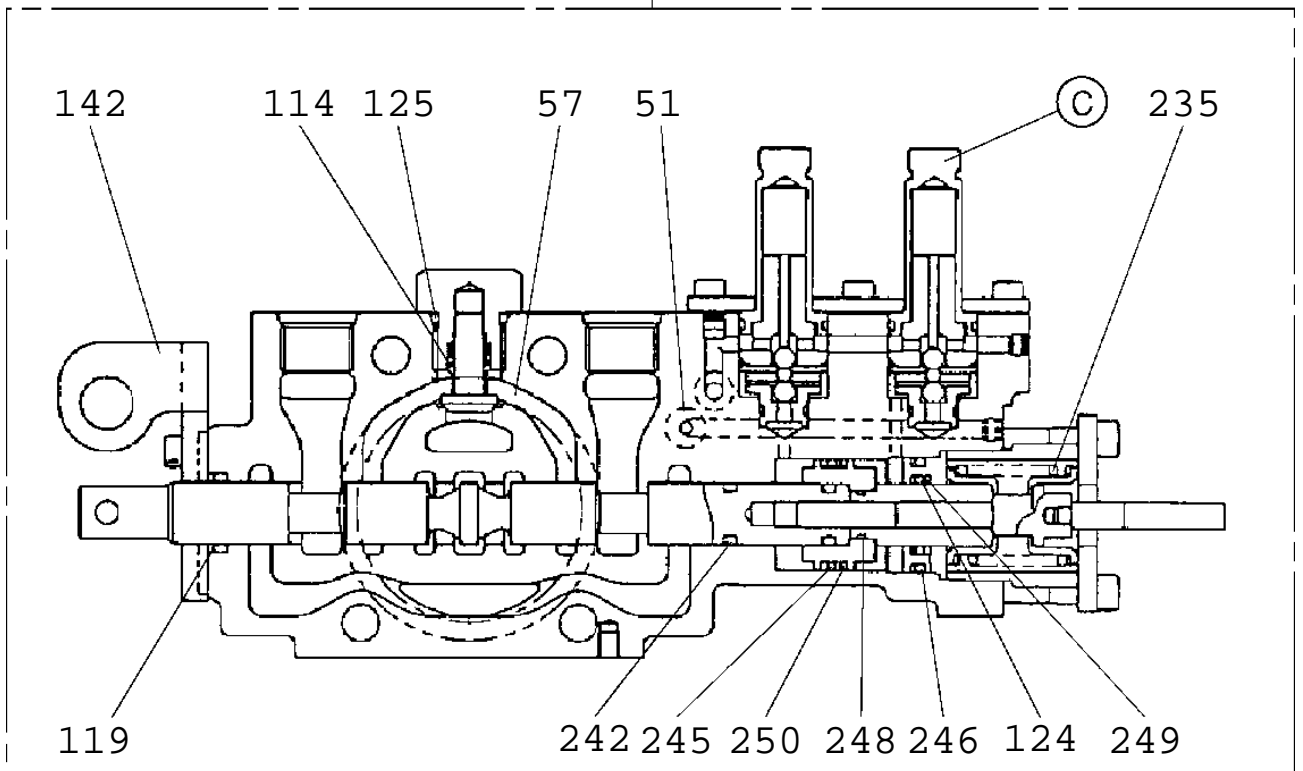


TM-ZF360 41102210360A FRAME/STD,REMOTE-RADIO CONT.,HOOK-IN
PV1020253-00 VALVE,REMOTE CONTROL

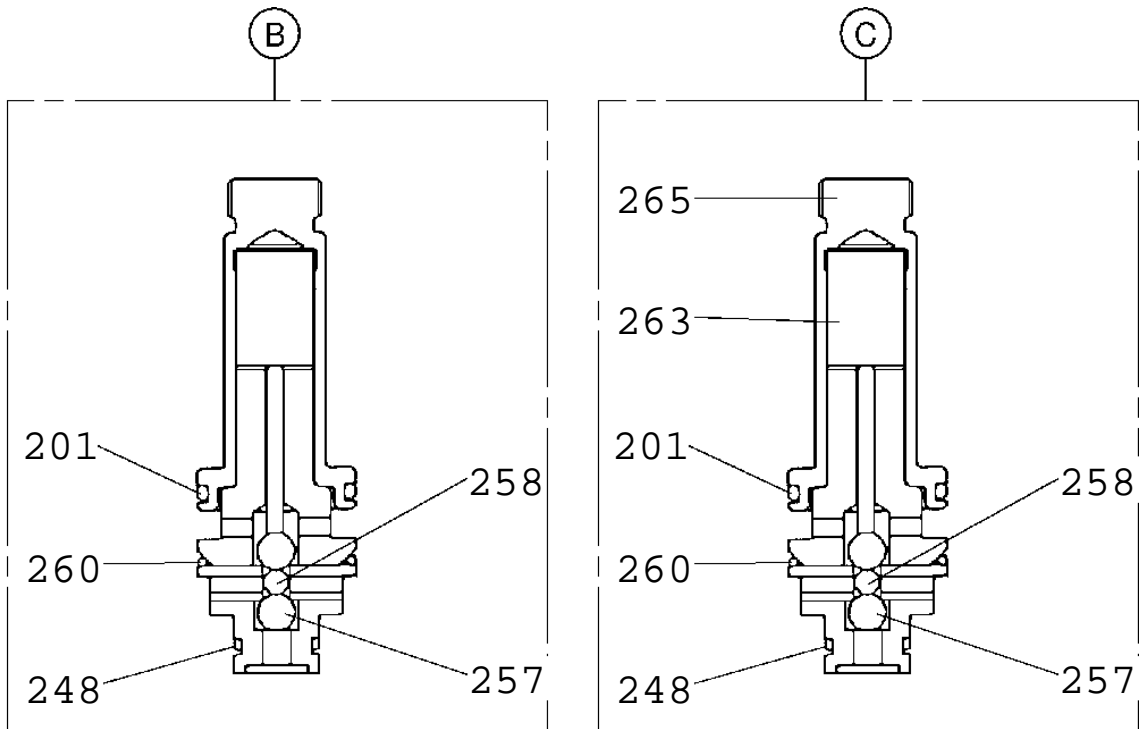
102103



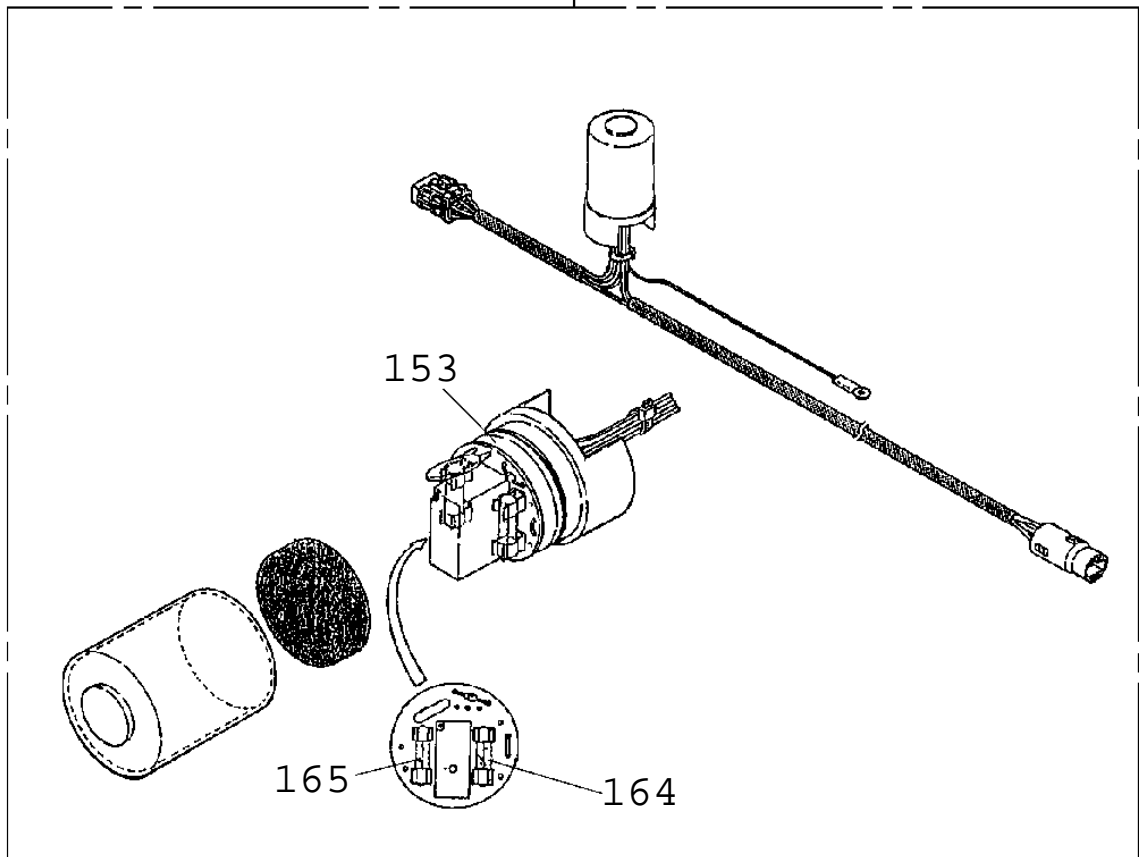
104



TM-ZF360 41102210360A FRAME/STD,REMOTE-RADIO CONT.,HOOK-IN
PV1020253-00 VALVE,REMOTE CONTROL

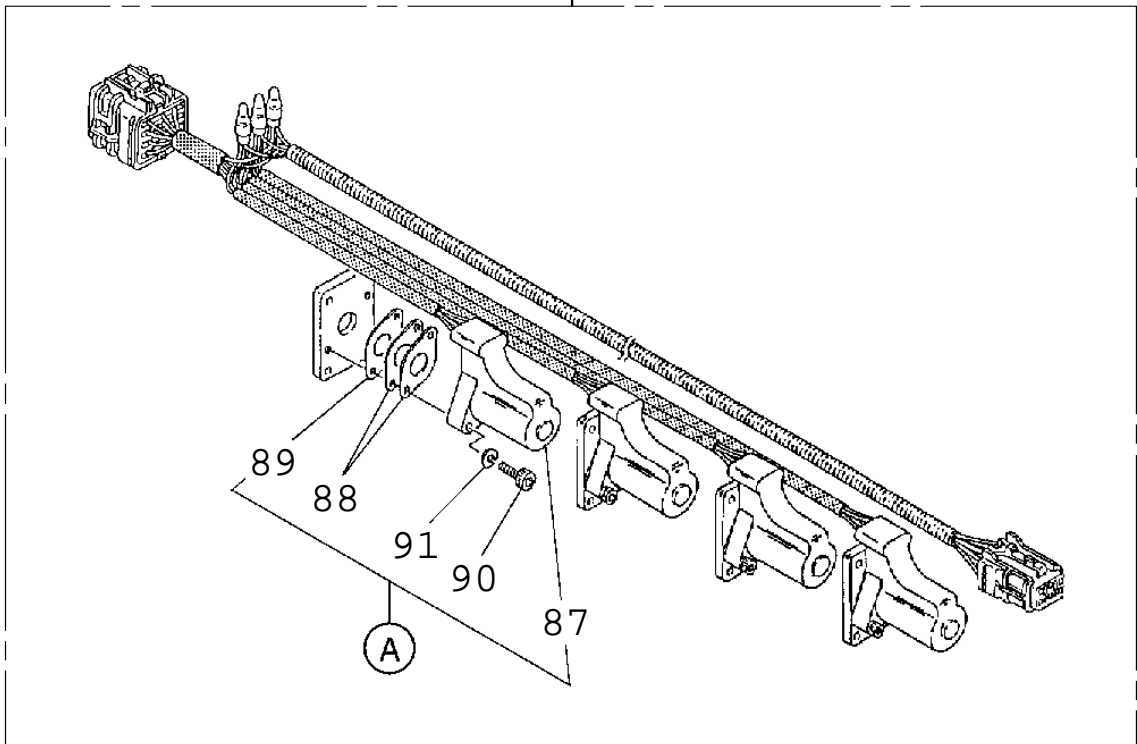


274

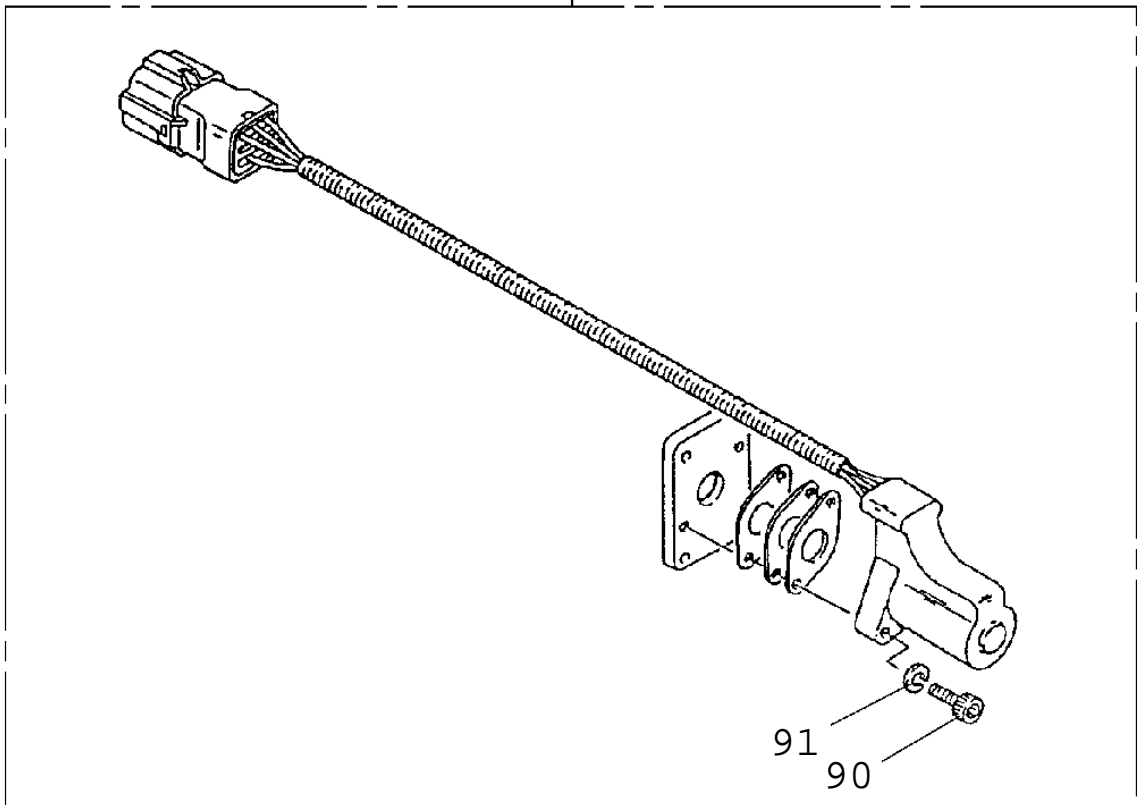


TM-ZF360 41102210360A FRAME/STD,REMOTE-RADIO CONT.,HOOK-IN
PV1020253-00 VALVE,REMOTE CONTROL

276



277



TM-ZF360 41102210360A FRAME/STD,REMOTE-RADIO CONT.,HOOK-IN

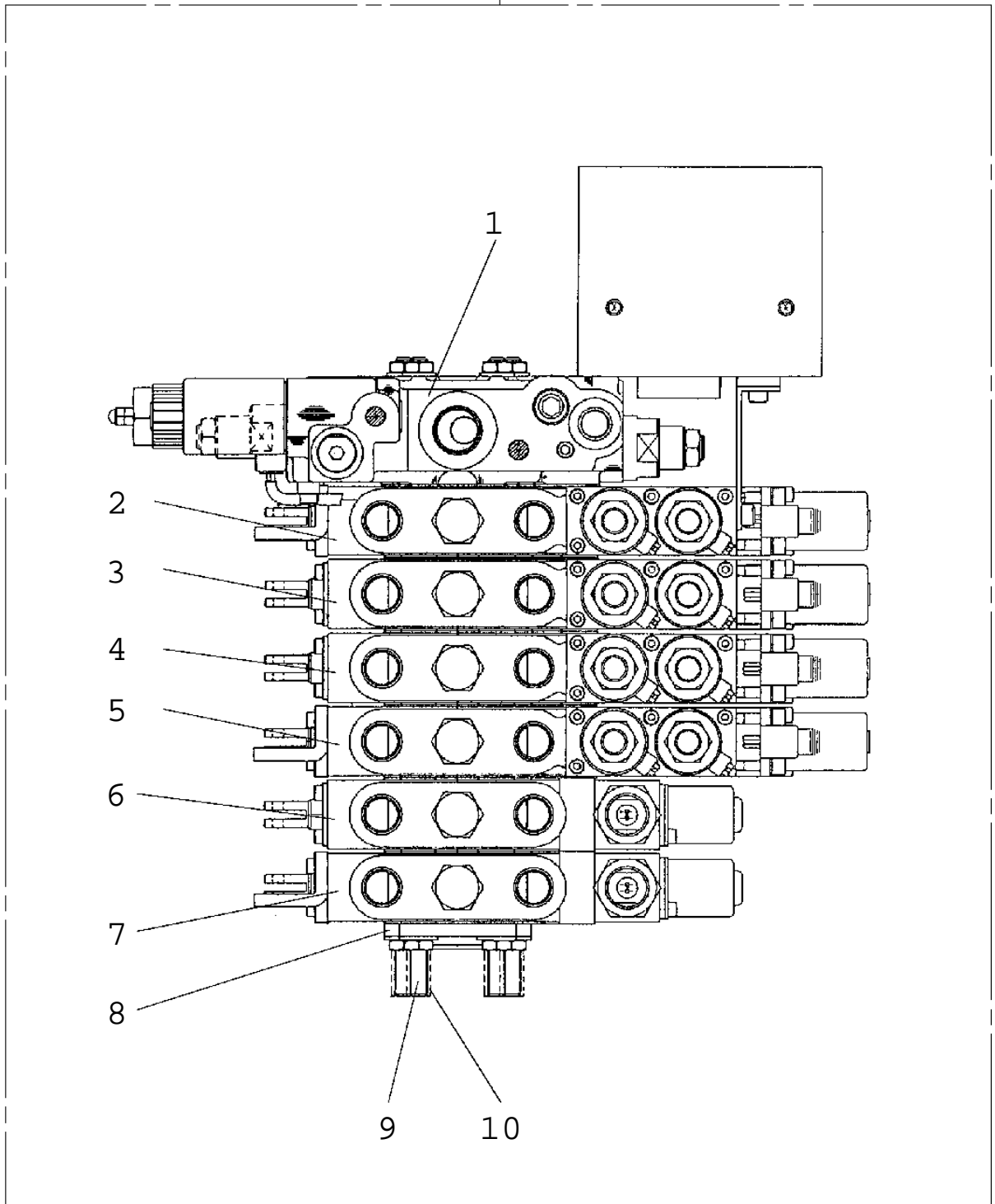
Pos No.	Parts No	Parts Name	Qty	Unit	Technical Data	Serial
1	36647985010	BLOCK,R.G.B.	1			
2	36648725010	VALVE,CONTROL (TELESCOPING)	1			
3	36648725020	VALVE,CONTROL (WINCH)	1			
4	36648725030	VALVE,CONTROL (ELEVATING)	1			
5	36648735010	VALVE,CONTROL (SWING)	1			
6	36648735020	VALVE,CONTROL (JACK)	1			
7	36648735030	VALVE,CONTROL (JACK)	1			
8	36642415490	PLATE	1			
9	36647985080	BOLT,TIE	4			
10	36646285060	CAP	4			
35	36647985090	SPRING	1			
40	36644795100	CAP	1			
41	36647285170	SPRING (A)	1			
42	36646165070	SPRING (B)	1			
43	36644795041	SPRING	1			
44	70320127630	SPRING	1			
51	91001100600	O-RING	10		1A P6	
52	91002800600	O-RING	1		1B P6	
53	91002800800	O-RING	1		1B P8	
54	91002801000	O-RING	3		1B P10	
55	91002801100	O-RING	2		1B P11	
56	91002802500	O-RING	1		1B P25	
57	91001205500	O-RING	7		1A G55	
58	36647285010	FILTER	1			
62	36647985100	SOLENOID KIT (FOR LOW PRESSURE)	1			
63	36647985110	SOLENOID KIT (FOR UNLOAD)	1			
64	36644795031	VALVE,RELIEF	1			
65	36642415151	VALVE,REDUCING	1			
72	36642415250	COIL,SOLENOID (WITHOUT CONNECTOR)	8			
73	36642415230	CASE (COIL)	8			
74	36642415240	YOKE (A)	8			
75	36642415270	YOKE (B)	16			
76	36642415280	NUT	8			
87	36642415290	COIL (LVDT, WITHOUT CONNECTOR)	4			
88	36642415300	SHIM (T=0.5)	8			
89	36642415310	SHIM (T=0.2)	8			
90	36062605020	BOLT,HEXAGON SOCKET(WITH WASHER)	10		M4X15	
91	36062605030	WASHER	10			
101	36648725060	BLOCK,VALVE (TELESCOPING)	1			
102	36648725070	BLOCK,VALVE (WINCH)	1			
103	36648725080	BLOCK,VALVE (ELEVATING)	1			
104	36648735040	BLOCK,VALVE (SWING)	1			
114	36642415330	SPRING	3			
118	36642415340	SPRING	2			
119	36642415220	RING,BACKUP	8			
120	36642415320	PLATE	5			
124	91001101400	O-RING	12		1A P14	
125	91002801400	O-RING	7		1B P14	
130	36645155170	SPRING (A)	2			
131	36645155180	SPRING (B)	2			
142	36645605110	PLATE (FULCRUM)	3			
153	91001003500	O-RING	1		S35	
164	82171101000	FUSE (10A.F-7142 5.2X20>	1			
165	82171100300	FUSE (3A.F-7142 5.2X20>	1			
172	36647985120	COIL,SOLENOID	1			
176	91001001500	O-RING	2		1A S15	
177	91001001600	O-RING	2		1A S16	
178	91001101800	O-RING	2		1A P18	
182	36647985130	COIL,SOLENOID	1			
185	36647985140	LOCK ASSY	1			
195	36642415160	SPRING	1			
196	36647285390	SPRING	1			
200	91002801001	O-RING	1		1B P10A	
201	91000501700	O-RING	10			
202	91000501800	O-RING	1		ARP568-018	
203	91002802200	O-RING	1		1B P22	
214	36647985350	SPRING	1			
218	91002801200	O-RING	1		1B P12	
220	91002802000	O-RING	1		1B P20	
235	36642415210	SPRING	4			
242	91001101001	O-RING	8		1A P10A	
245	91001102100	O-RING	4		1A P21	
246	91001102200	O-RING	4		1A P22	
248	91001000900	O-RING	12		S9	

TM-ZF360 41102210360A FRAME/STD,REMOTE-RADIO CONT.,HOOK-IN

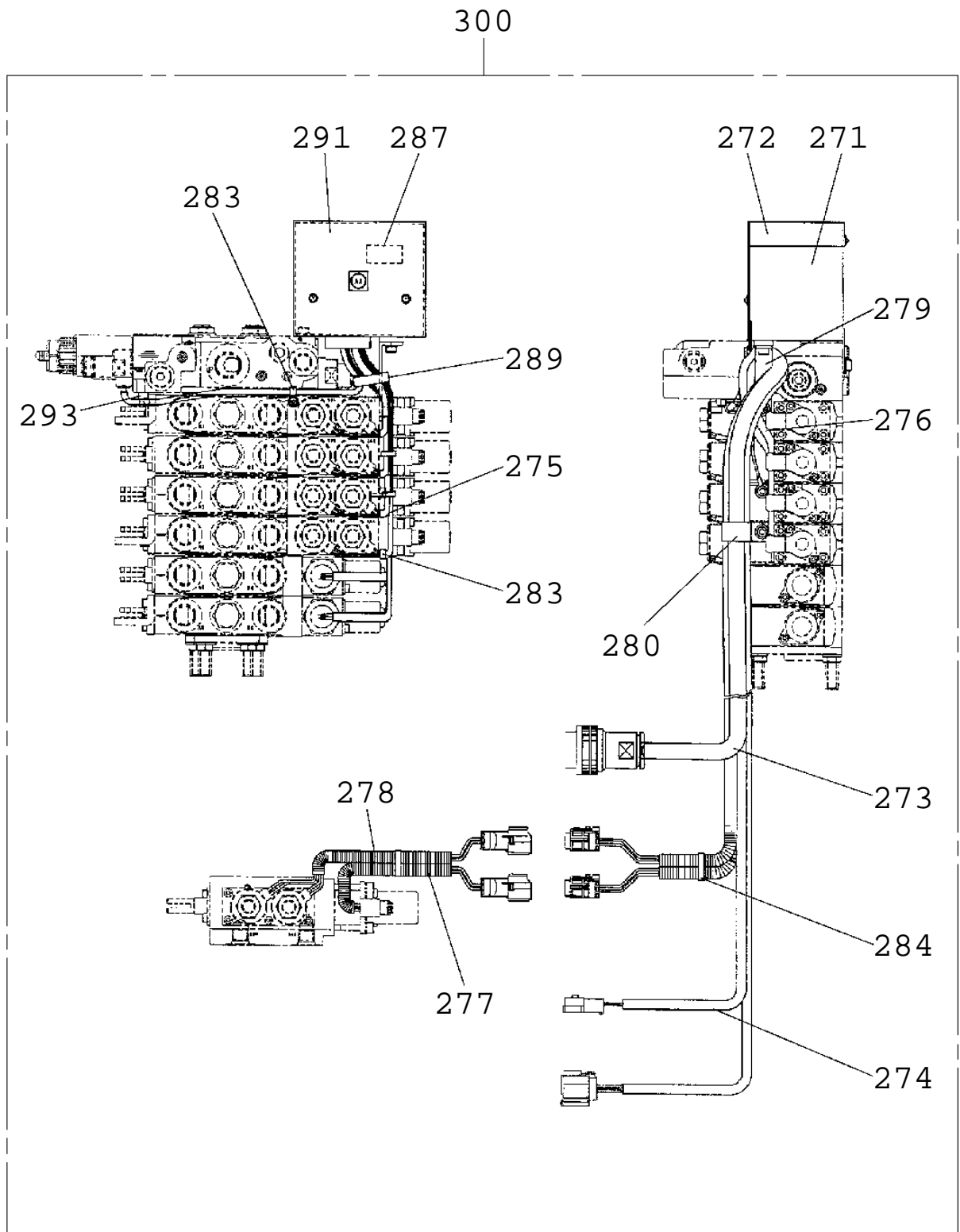
Pos No.	Parts No	Parts Name	Qty	Unit	Technical Data	Serial
249	91411001400	RING, BACKUP	4		P14	
250	91411002100	RING, BACKUP	8		P21	
257	80560055000	BALL, STEEL	16		3/16	
258	36642415260	BALL, STEEL	8			
260	91001001800	O-RING	8		S18	
263	36643725310	PLUNGER	2			
265	36643725320	GUIDE (SOLENOID)	2			
271	36642415450	BOX	1			
272	36642415360	COVER (BOX)	1			
273	36644795090	HARNES ASSY	1			
274	36645155200	BOX ASSY (B6HS, FUSE & RELAY)	1			
275	36645155210	COIL ASSY (C6HS)	1			
276	36645155220	COIL ASSY (LVDT/D6HS)	1			
277	36645155230	COIL ASSY (LVDT/EHS)	1			
278	36645155240	COIL ASSY (FHS)	1			
279	36643725260	ANGLE	1			
280	36645815140	INSULOCK	1			
283	36645815170	CLIP	2			
284	36645815180	INSULOCK	10			
287	36645815200	SEAT (RUBBER)	1			
289	36647985340	TIE (INSULOCK)	2			
291	36645815230	SEAT (RUBBER)	1			
293	36648725110	TIE (INSULOCK)	1			
300	36648730000	VALVE, REMOTE CONTROL	1			

TM-ZF360 41102210360A FRAME/STD,REMOTE-RADIO CONT.,HOOK-IN
PV1020254-00 VALVE,REMOTE CONTROL

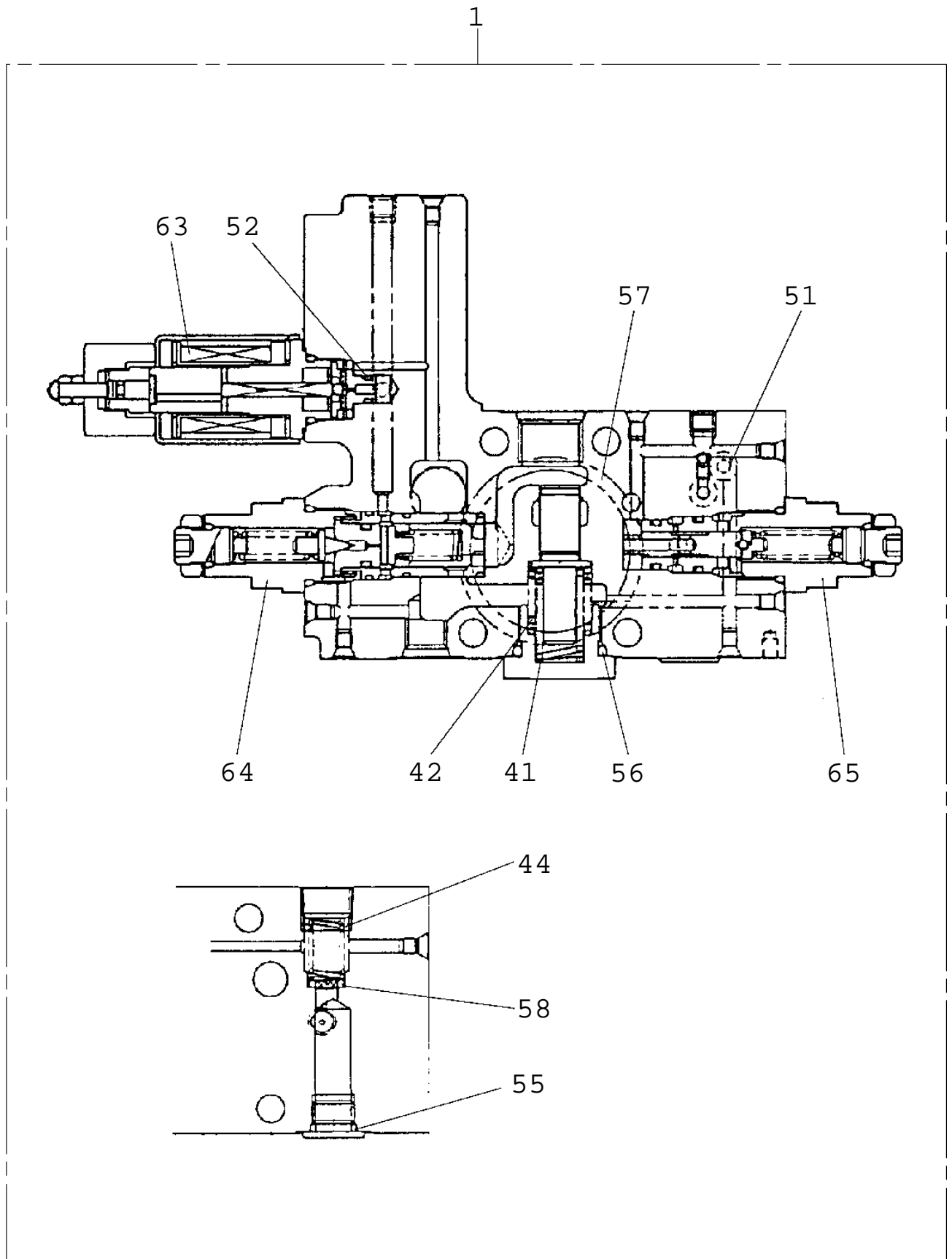
300



TM-ZF360 41102210360A FRAME/STD,REMOTE-RADIO CONT.,HOOK-IN
PV1020254-00 VALVE,REMOTE CONTROL

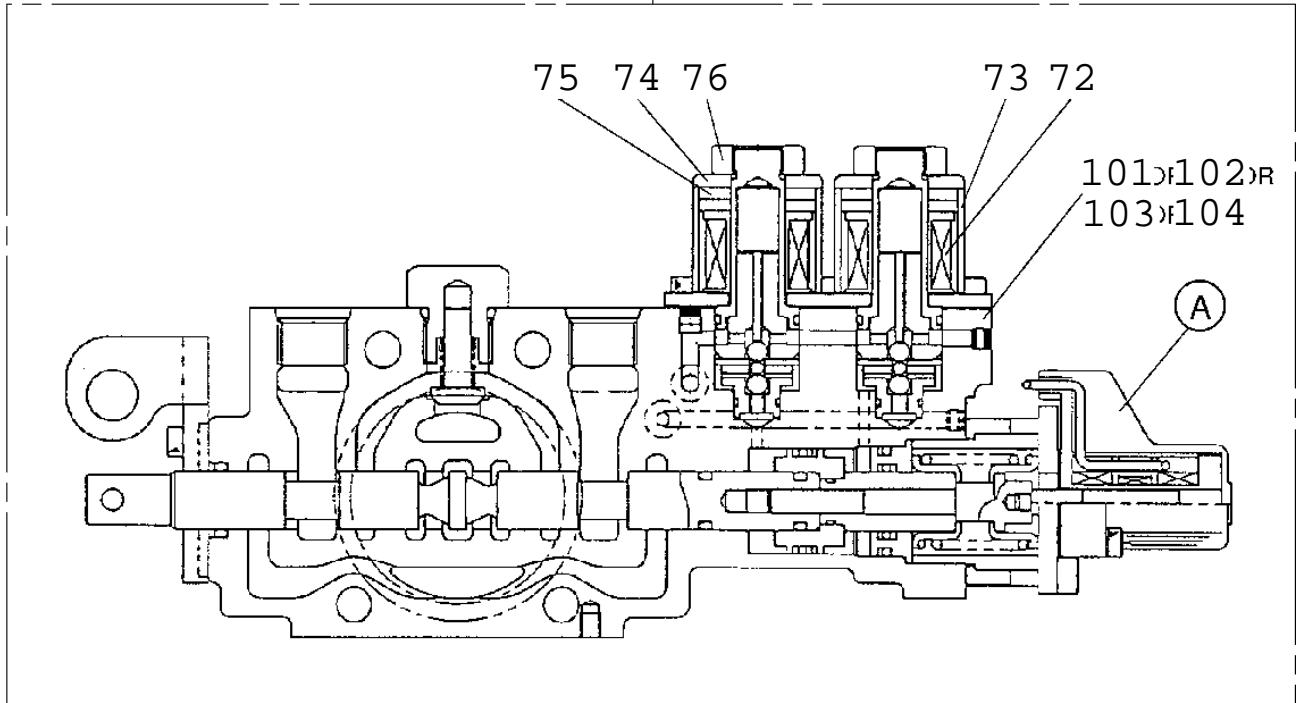


TM-ZF360 41102210360A FRAME/STD,REMOTE-RADIO CONT.,HOOK-IN
PV1020254-00 VALVE,REMOTE CONTROL

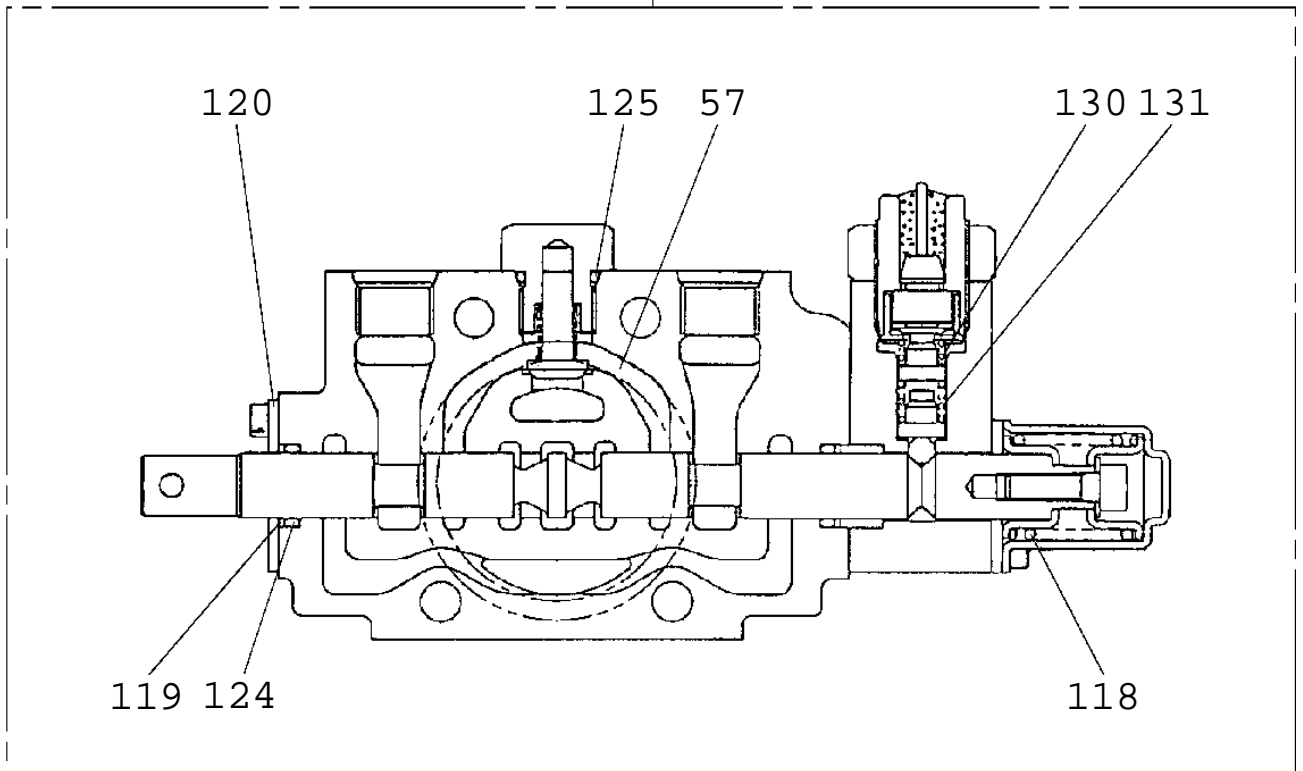


TM-ZF360 41102210360A FRAME/STD,REMOTE-RADIO CONT.,HOOK-IN
PV1020254-00 VALVE,REMOTE CONTROL

2345

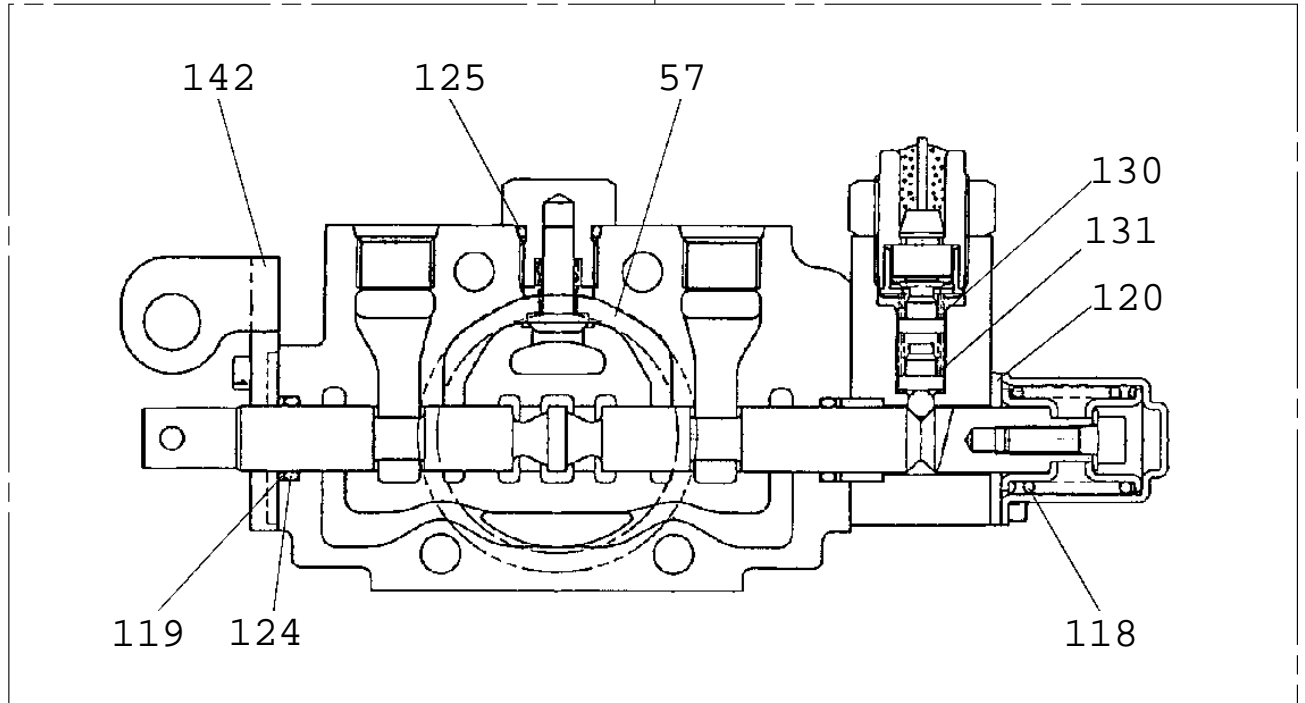


6

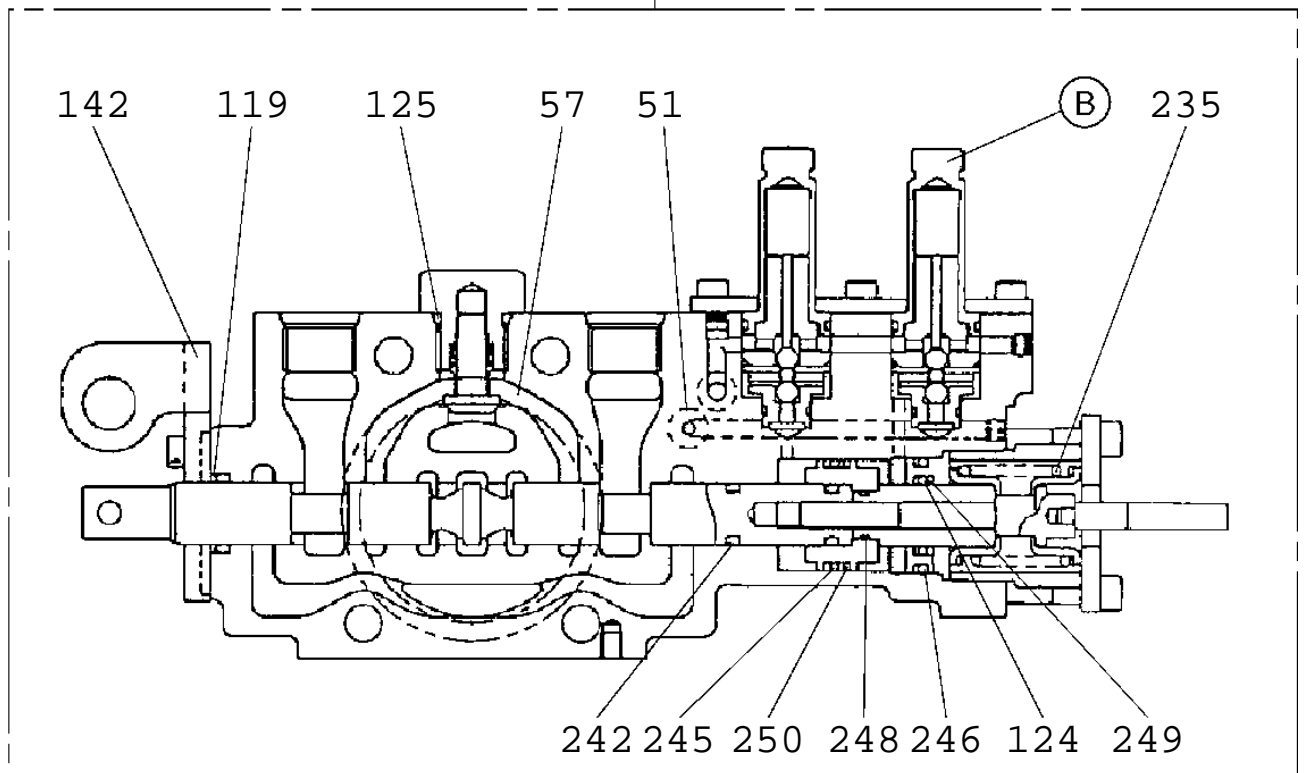


TM-ZF360 41102210360A FRAME/STD,REMOTE-RADIO CONT.,HOOK-IN
PV1020254-00 VALVE,REMOTE CONTROL

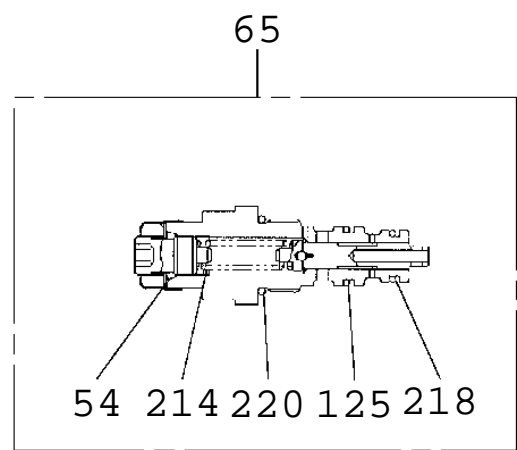
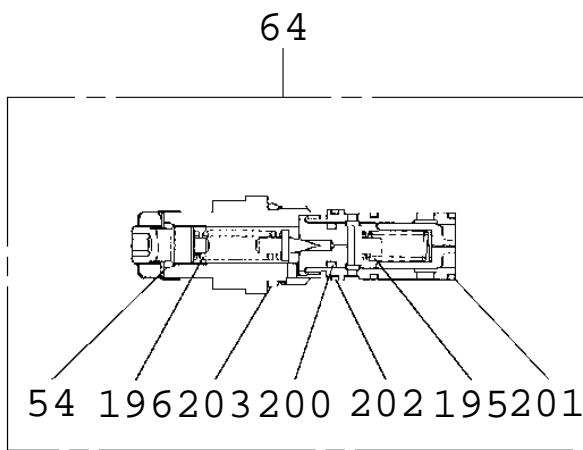
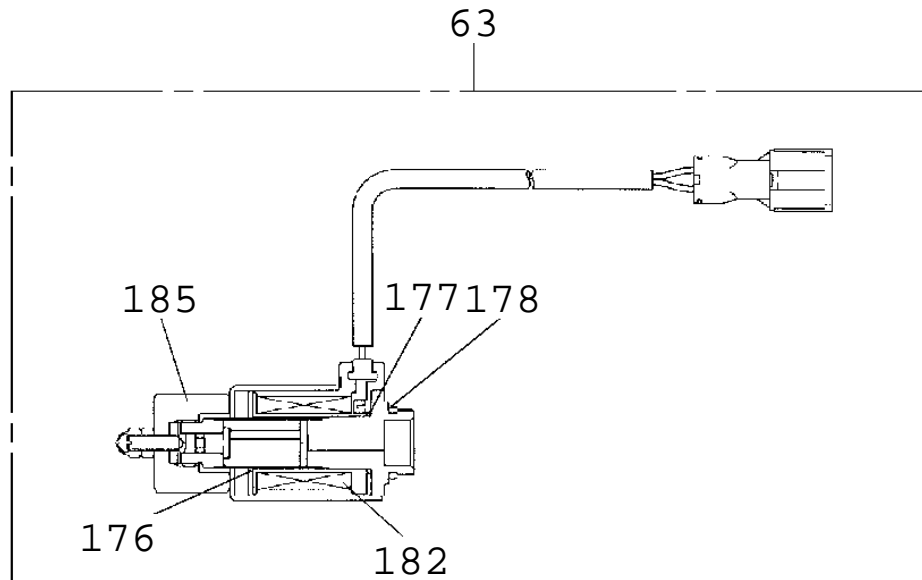
7



101

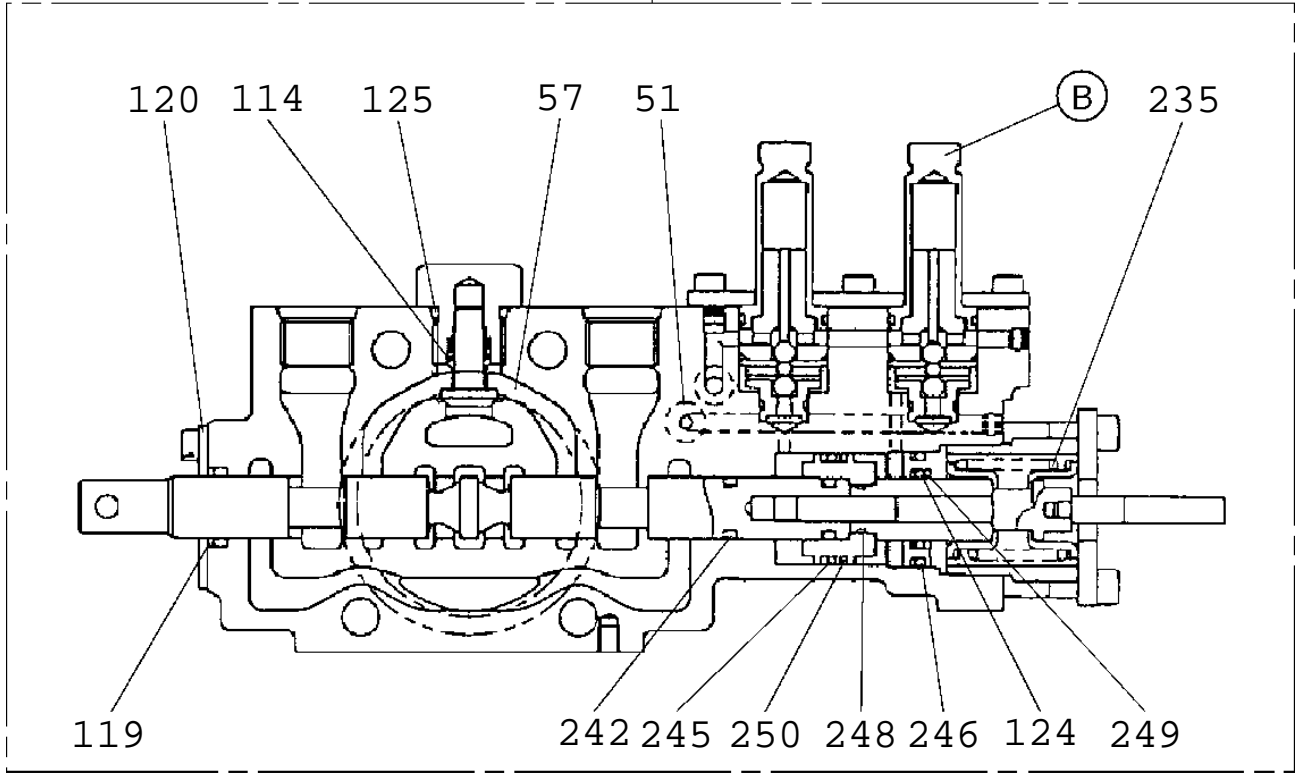


TM-ZF360 41102210360A FRAME/STD,REMOTE-RADIO CONT.,HOOK-IN
PV1020254-00 VALVE,REMOTE CONTROL

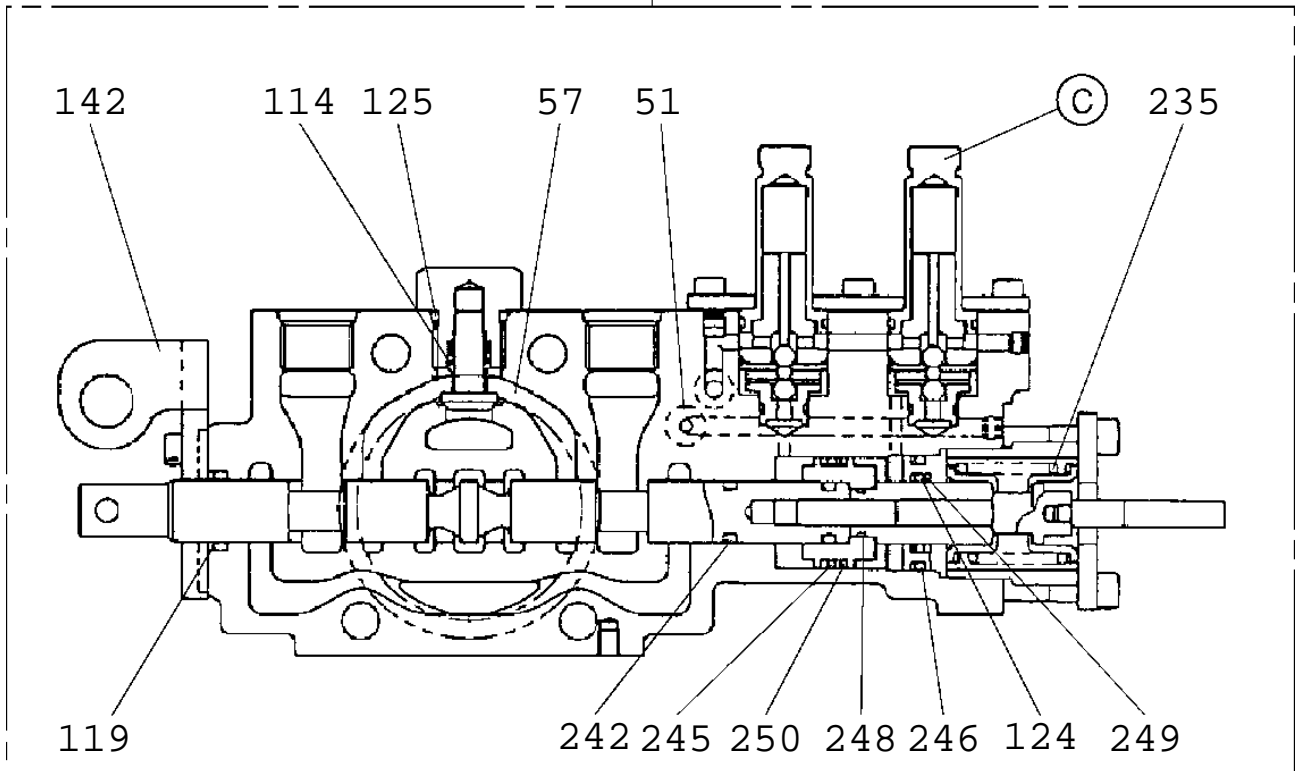


TM-ZF360 41102210360A FRAME/STD,REMOTE-RADIO CONT.,HOOK-IN
PV1020254-00 VALVE,REMOTE CONTROL

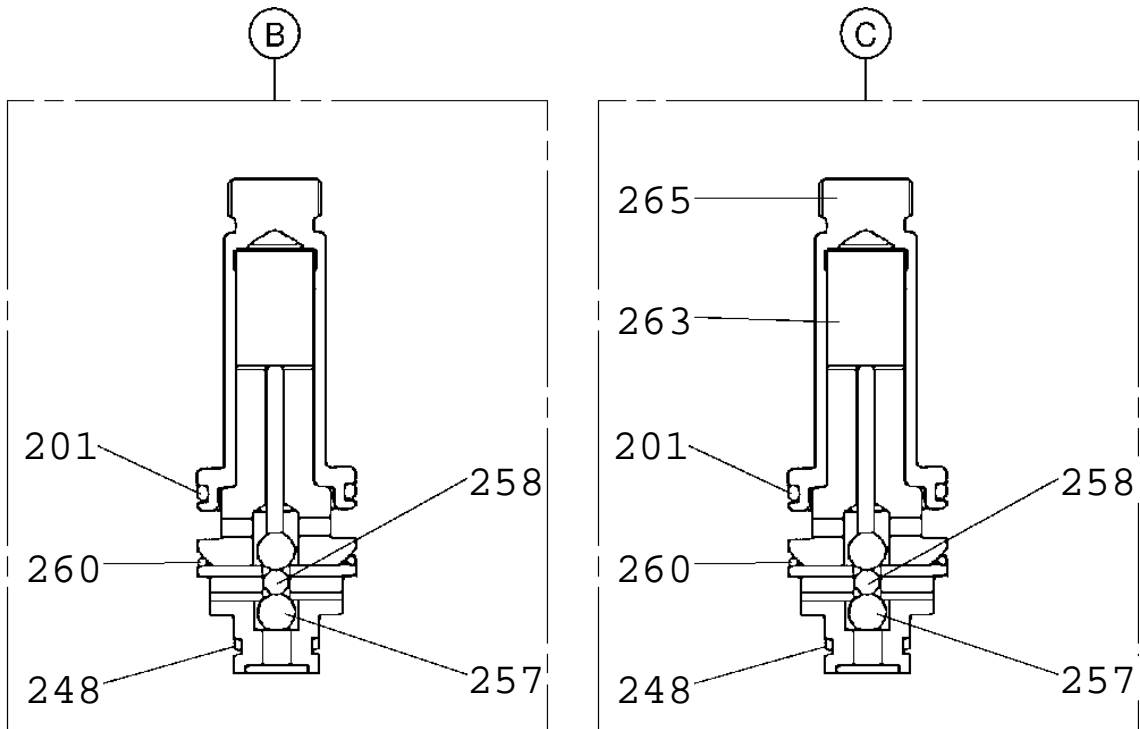
102103



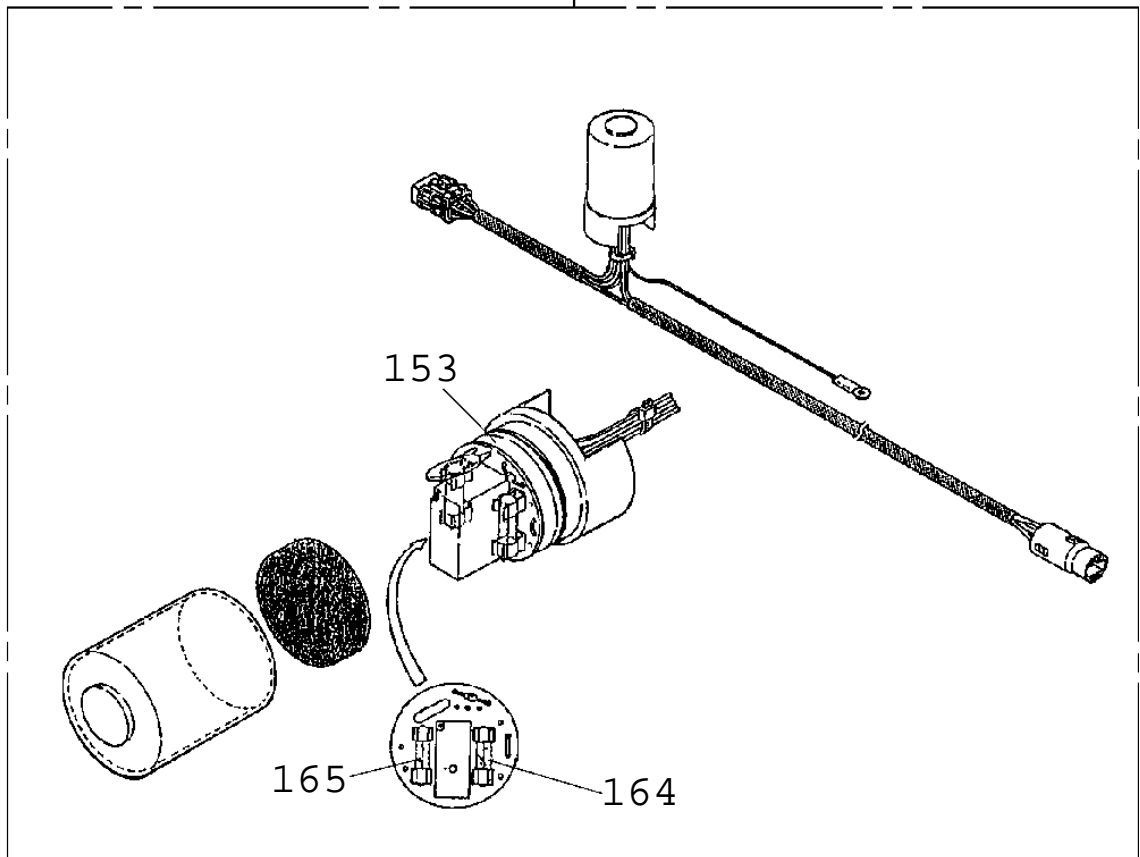
104



TM-ZF360 41102210360A FRAME/STD,REMOTE-RADIO CONT.,HOOK-IN
PV1020254-00 VALVE,REMOTE CONTROL

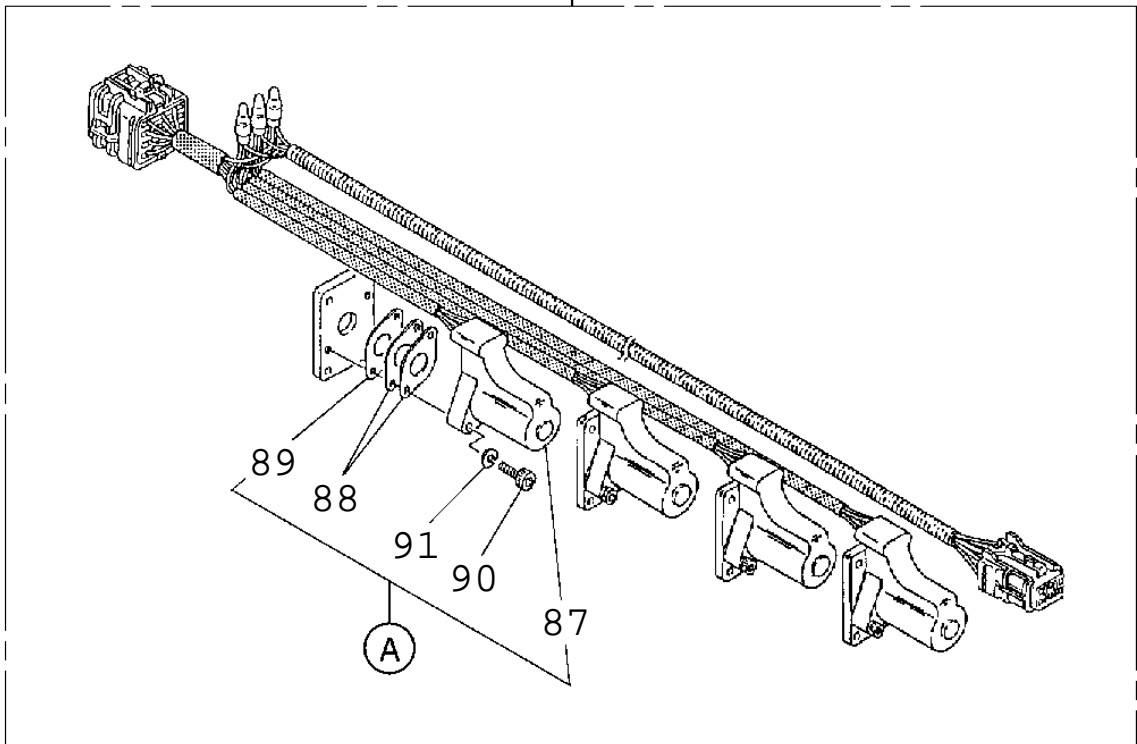


274

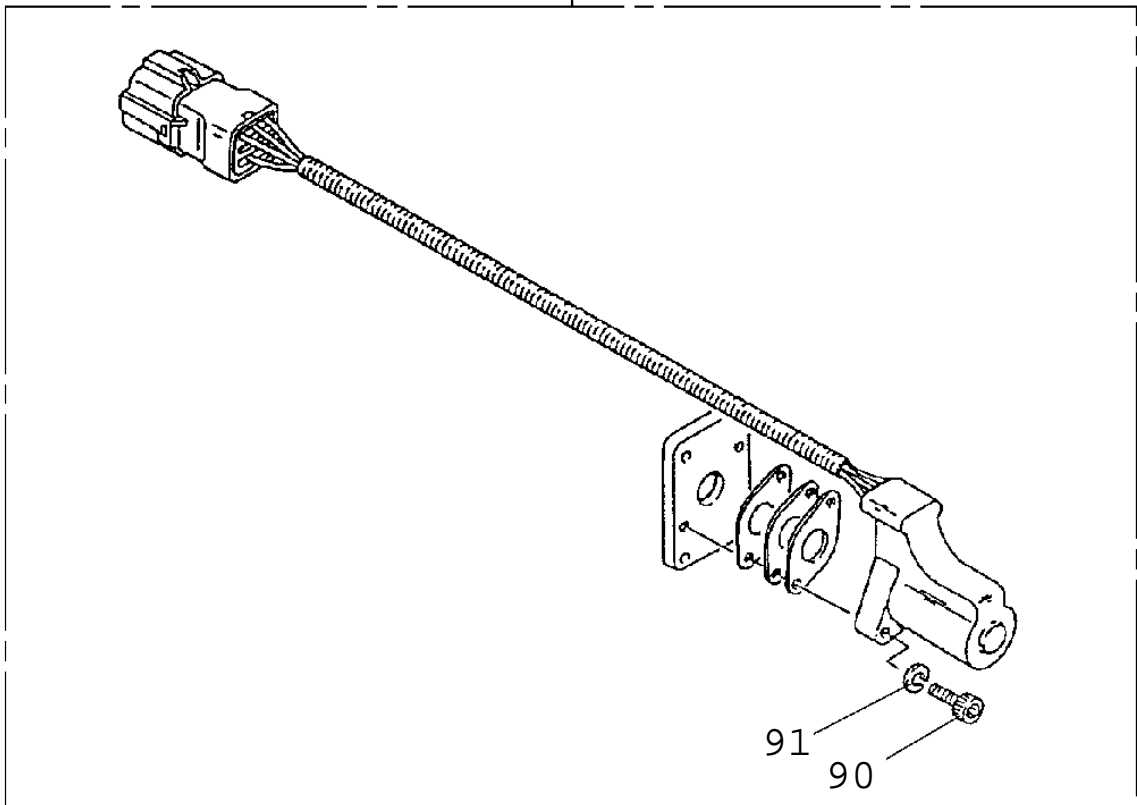


TM-ZF360 41102210360A FRAME/STD,REMOTE-RADIO CONT.,HOOK-IN
PV1020254-00 VALVE,REMOTE CONTROL

276



277



TM-ZF360 41102210360A FRAME/STD,REMOTE-RADIO CONT.,HOOK-IN

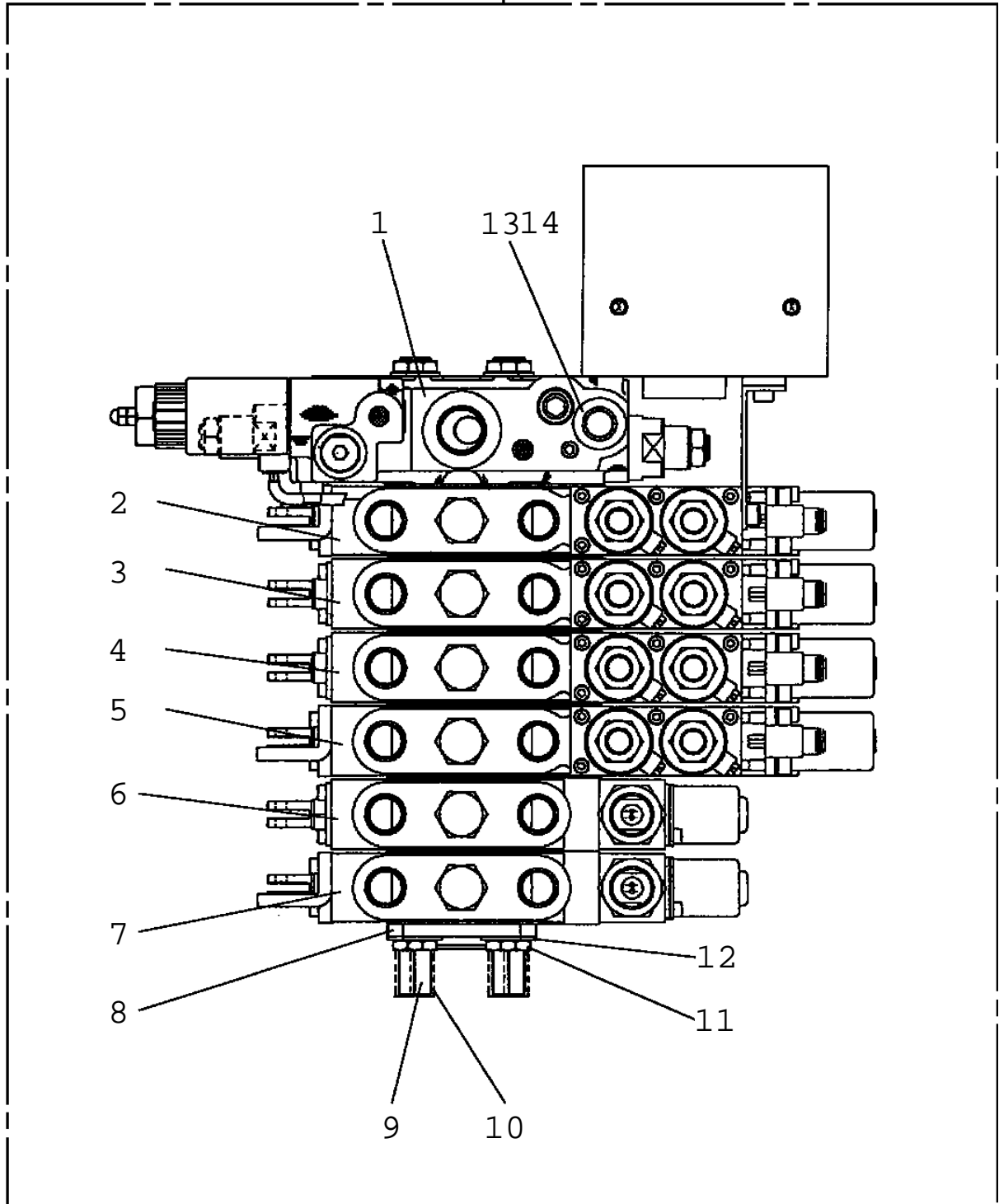
Pos No.	Parts No	Parts Name	Qty	Unit	Technical Data	Serial
1	36648755010	BLOCK,R.G.B.	1			
2	36648725010	VALVE,CONTROL (TELESCOPING)	1			
3	36648725020	VALVE,CONTROL (WINCH)	1			
4	36648725030	VALVE,CONTROL (ELEVATING)	1			
5	36648735010	VALVE,CONTROL (SWING)	1			
6	36648735020	VALVE,CONTROL (JACK)	1			
7	36648735030	VALVE,CONTROL (JACK)	1			
8	36642415490	PLATE	1			
9	36647985080	BOLT,TIE	4			
10	36646285060	CAP	4			
41	36647285170	SPRING (A)	1			
42	36646165070	SPRING (B)	1			
44	70320127630	SPRING	1			
51	91001100600	O-RING	10		1A P6	
52	91002800600	O-RING	1		1B P6	
54	91002801000	O-RING	2		1B P10	
55	91002801100	O-RING	2		1B P11	
56	91002802500	O-RING	1		1B P25	
57	91001205500	O-RING	7		1A G55	
58	36647285010	FILTER	1			
63	36647985110	SOLENOID KIT (FOR UNLOAD)	1			
64	36644795031	VALVE,RELIEF	1			
65	36642415151	VALVE,REDUCING	1			
72	36642415250	COIL,SOLENOID (WITHOUT CONNECTOR)	8			
73	36642415230	CASE (COIL)	8			
74	36642415240	YOKE (A)	8			
75	36642415270	YOKE (B)	16			
76	36642415280	NUT	8			
87	36642415290	COIL (LVDT, WITHOUT CONNECTOR)	4			
88	36642415300	SHIM (T=0.5)	8			
89	36642415310	SHIM (T=0.2)	8			
90	36062605020	BOLT,HEXAGON SOCKET(WITH WASHER)	10		M4X15	
91	36062605030	WASHER	10			
101	36648725060	BLOCK,VALVE (TELESCOPING)	1			
102	36648725070	BLOCK,VALVE (WINCH)	1			
103	36648725080	BLOCK,VALVE (ELEVATING)	1			
104	36648735040	BLOCK,VALVE (SWING)	1			
114	36642415330	SPRING	3			
118	36642415340	SPRING	2			
119	36642415220	RING,BACKUP	8			
120	36642415320	PLATE	5			
124	91001101400	O-RING	12		1A P14	
125	91002801400	O-RING	7		1B P14	
130	36645155170	SPRING (A)	2			
131	36645155180	SPRING (B)	2			
142	36645605110	PLATE (FULCRUM)	3			
153	91001003500	O-RING	1		S35	
164	82171101000	FUSE (10A.F-7142 5.2X20>	1			
165	82171100300	FUSE (3A.F-7142 5.2X20>	1			
176	91001001500	O-RING	1		1A S15	
177	91001001600	O-RING	1		1A S16	
178	91001101800	O-RING	1		1A P18	
182	36647985130	COIL,SOLENOID	1			
185	36647985140	LOCK ASSY	1			
195	36642415160	SPRING	1			
196	36647285390	SPRING	1			
200	91002801001	O-RING	1		1B P10A	
201	91000501700	O-RING	10			
202	91000501800	O-RING	1		ARP568-018	
203	91002802200	O-RING	1		1B P22	
214	36647985350	SPRING	1			
218	91002801200	O-RING	1		1B P12	
220	91002802000	O-RING	1		1B P20	
235	36642415210	SPRING	4			
242	91001101001	O-RING	8		1A P10A	
245	91001102100	O-RING	4		1A P21	
246	91001102200	O-RING	4		1A P22	
248	91001000900	O-RING	12		S9	
249	91411001400	RING,BACKUP	4		P14	
250	91411002100	RING,BACKUP	8		P21	
257	80560055000	BALL,STEEL	16		3/16	
258	36642415260	BALL,STEEL	8			
260	91001001800	O-RING	8		S18	
263	36643725310	PLUNGER	2			

TM-ZF360 41102210360A FRAME/STD,REMOTE-RADIO CONT.,HOOK-IN

Pos No.	Parts No	Parts Name	Qty	Unit	Technical Data	Serial
265	36643725320	GUIDE (SOLENOID)	2			
271	36642415450	BOX	1			
272	36642415360	COVER (BOX)	1			
273	36644795090	HARNES ASSY	1			
274	36645155200	BOX ASSY (B6HS,FUSE & RELAY)	1			
275	36645155210	COIL ASSY (C6HS)	1			
276	36645155220	COIL ASSY (LVDT/D6HS)	1			
277	36645155230	COIL ASSY (LVDT/EHS)	1			
278	36645155240	COIL ASSY (FHS)	1			
279	36643725260	ANGLE	1			
280	36645815140	INSULOCK	1			
283	36645815170	CLIP	2			
284	36645815180	INSULOCK	10			
287	36645815200	SEAT (RUBBER)	1			
289	36647985340	TIE (INSULOCK)	2			
291	36645815230	SEAT (RUBBER)	1			
293	36648725110	TIE (INSULOCK)	1			
300	36648740000	VALVE,REMOTE CONTROL	1			

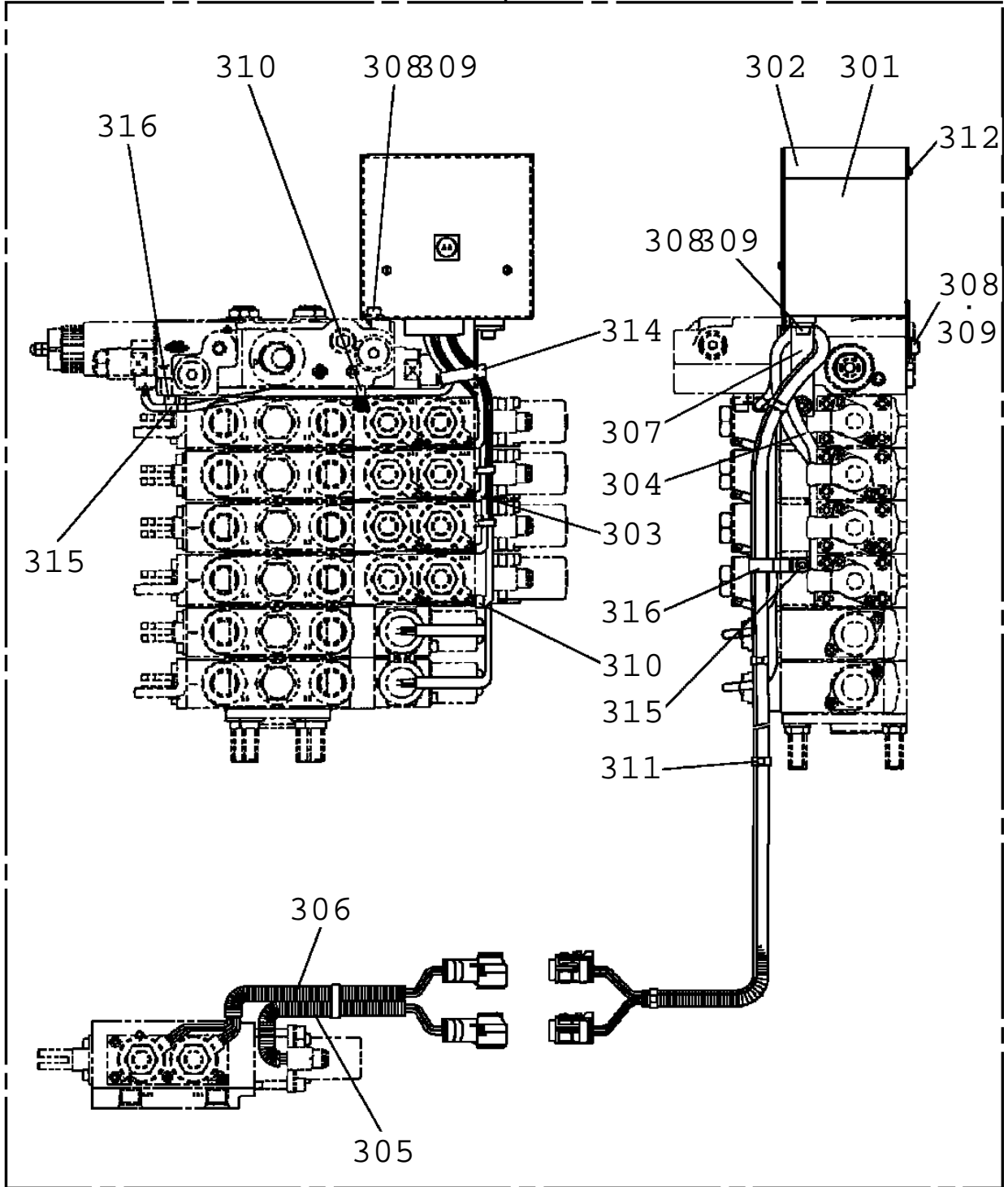
TM-ZF360 41102210360A FRAME/STD,REMOTE-RADIO CONT.,HOOK-IN
PV1020328-00 VALVE,REMOTE CONTROL

500

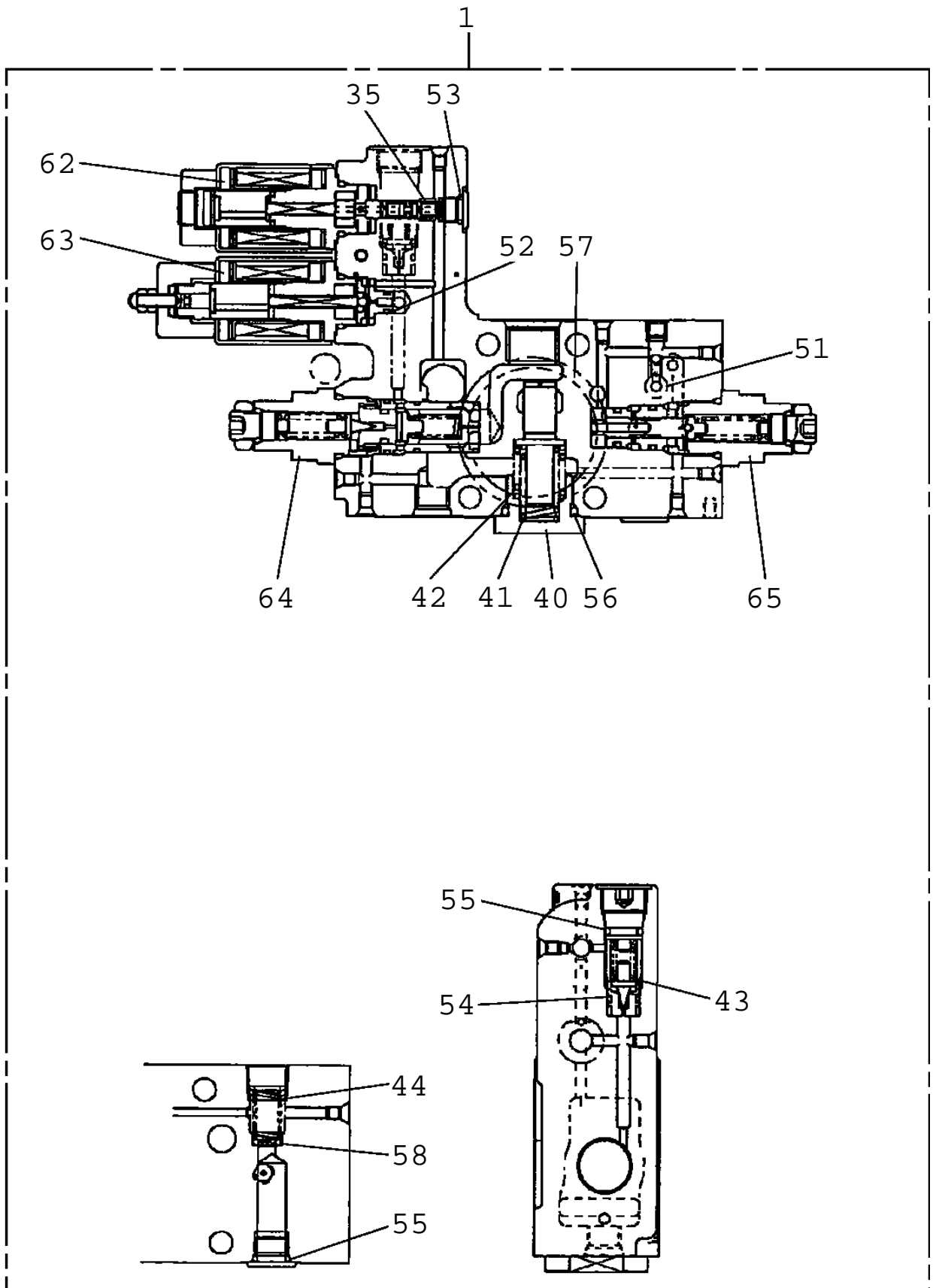


TM-ZF360 41102210360A FRAME/STD,REMOTE-RADIO CONT.,HOOK-IN
PV1020328-00 VALVE,REMOTE CONTROL

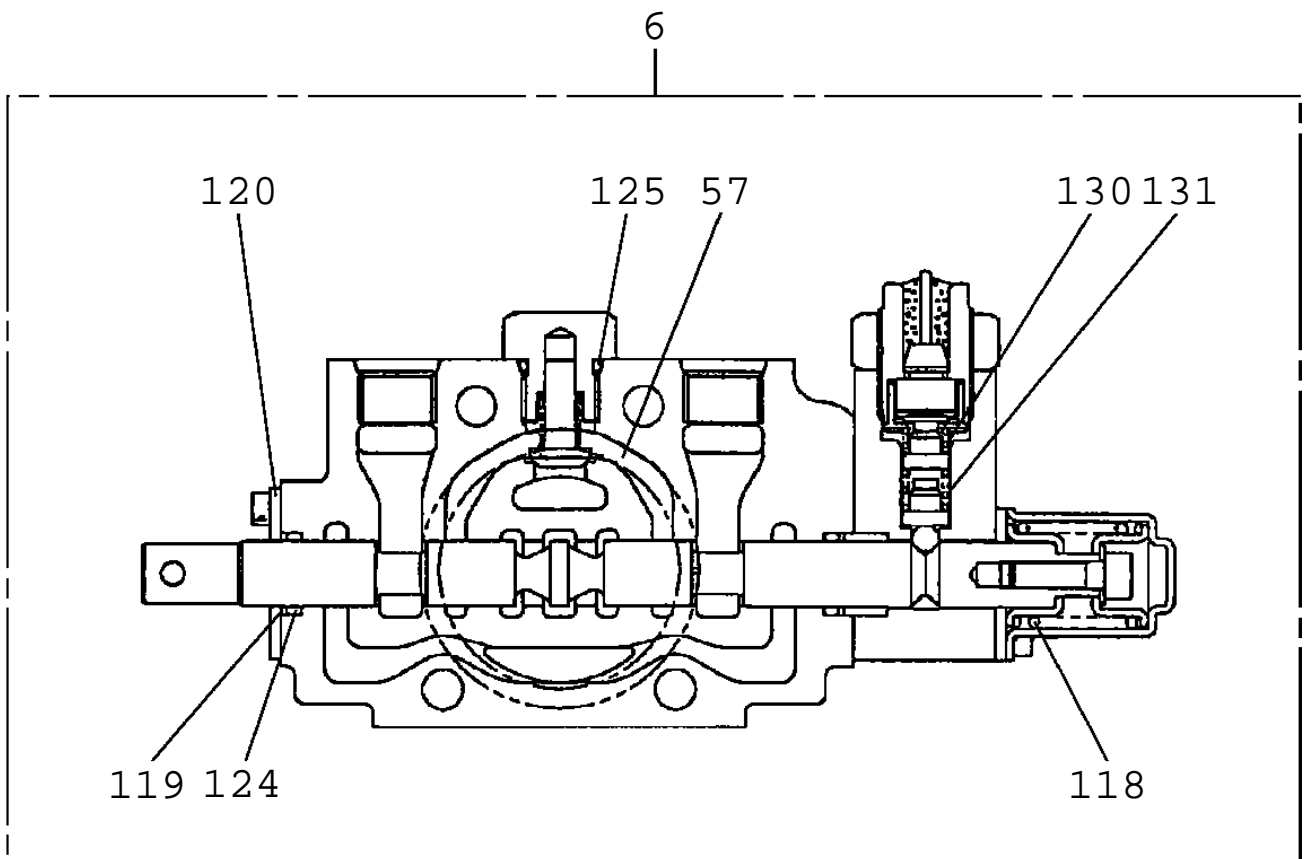
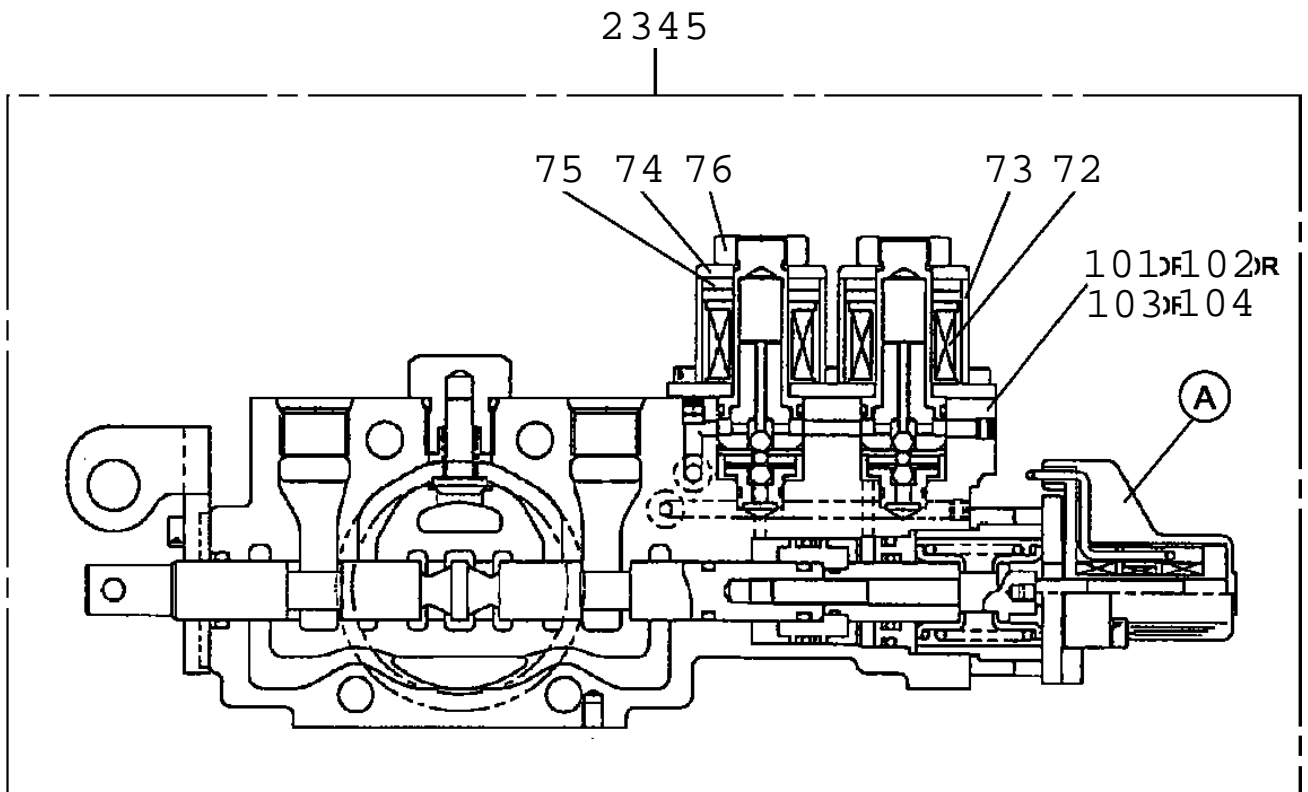
500



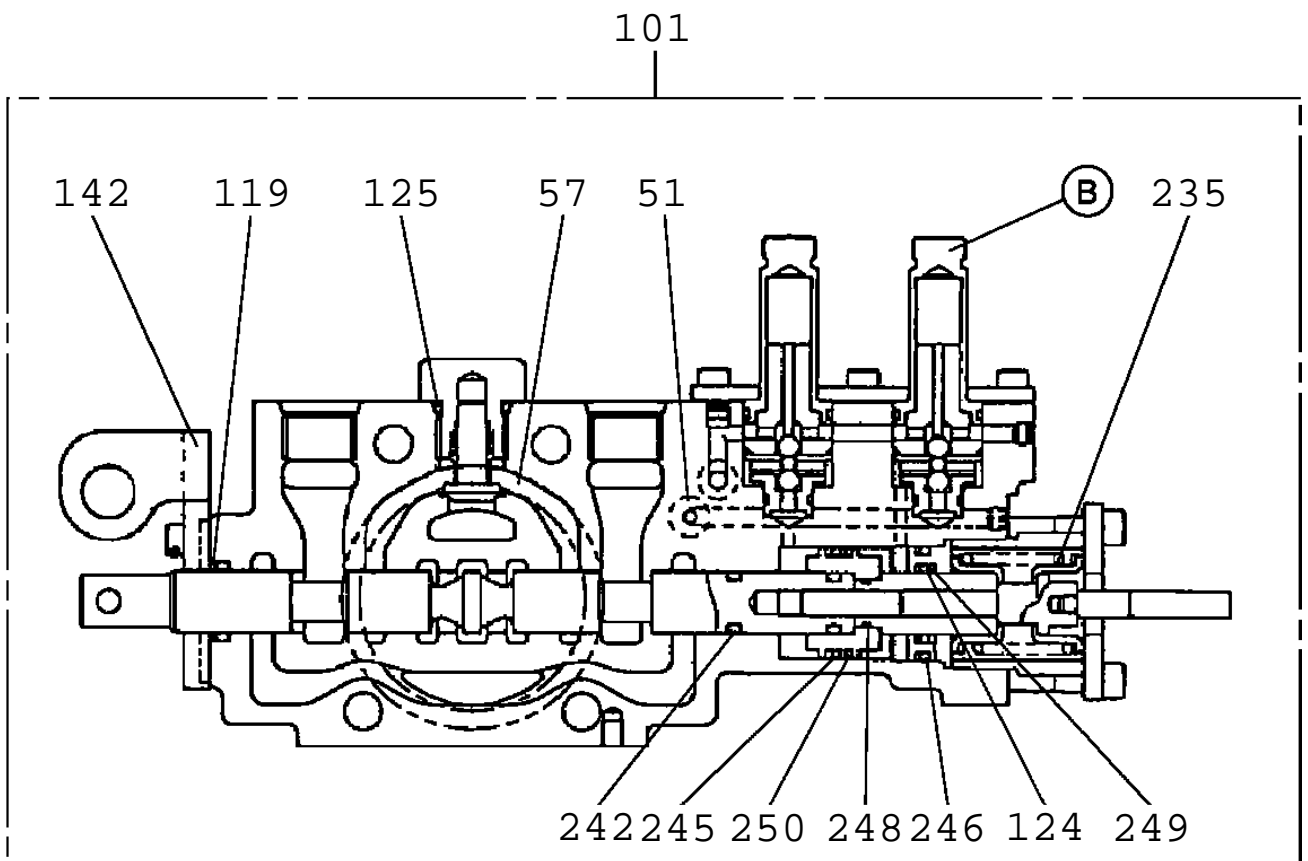
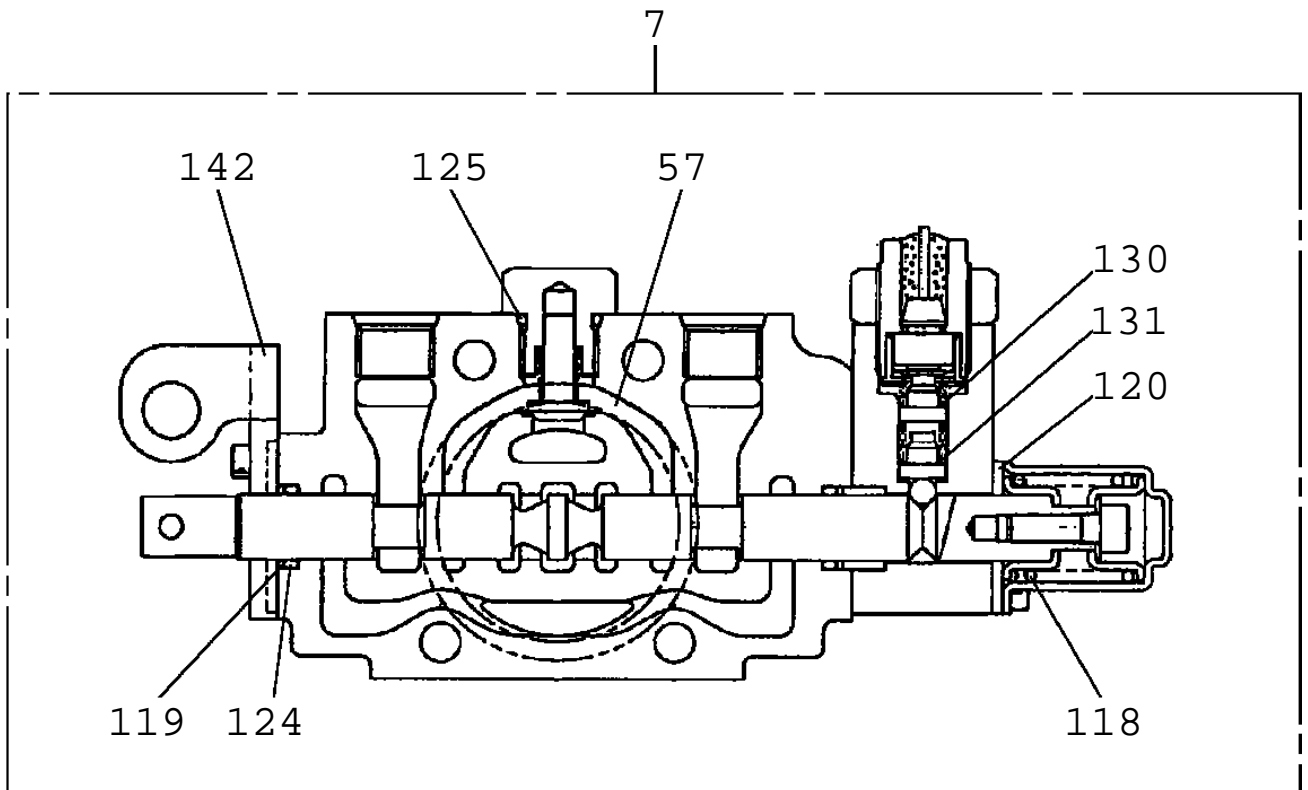
TM-ZF360 41102210360A FRAME/STD,REMOTE-RADIO CONT.,HOOK-IN
PV1020328-00 VALVE,REMOTE CONTROL



TM-ZF360 41102210360A FRAME/STD,REMOTE-RADIO CONT.,HOOK-IN
PV1020328-00 VALVE,REMOTE CONTROL

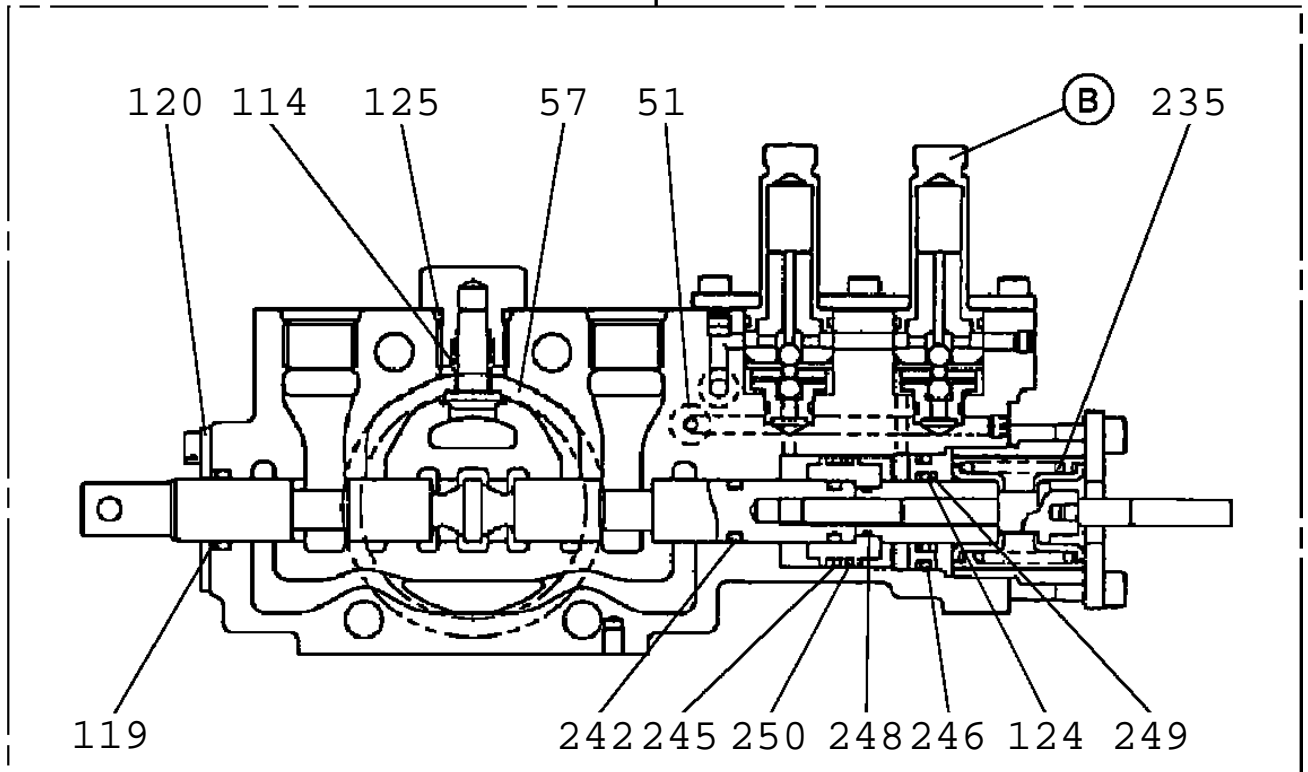


TM-ZF360 41102210360A FRAME/STD,REMOTE-RADIO CONT.,HOOK-IN
PV1020328-00 VALVE,REMOTE CONTROL

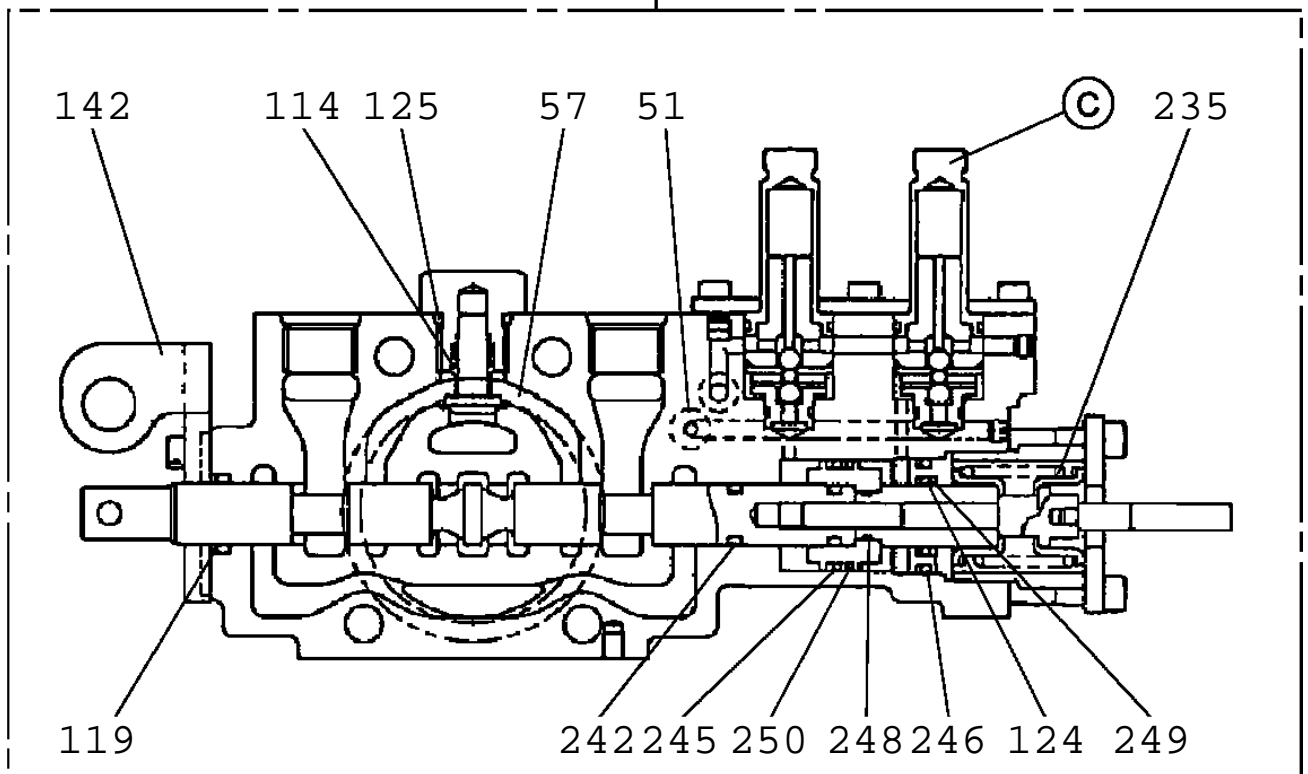


TM-ZF360 41102210360A FRAME/STD,REMOTE-RADIO CONT.,HOOK-IN
PV1020328-00 VALVE,REMOTE CONTROL

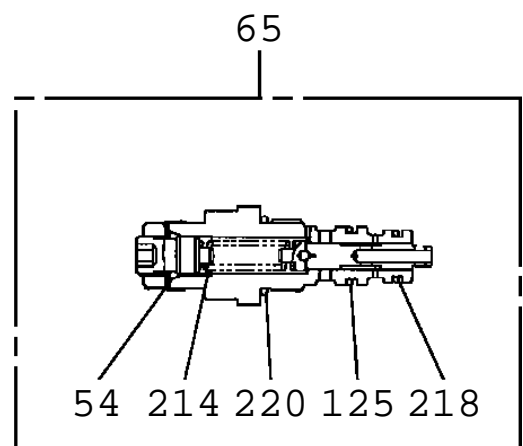
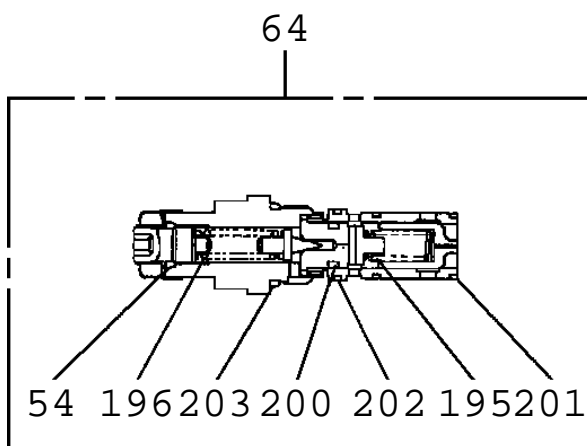
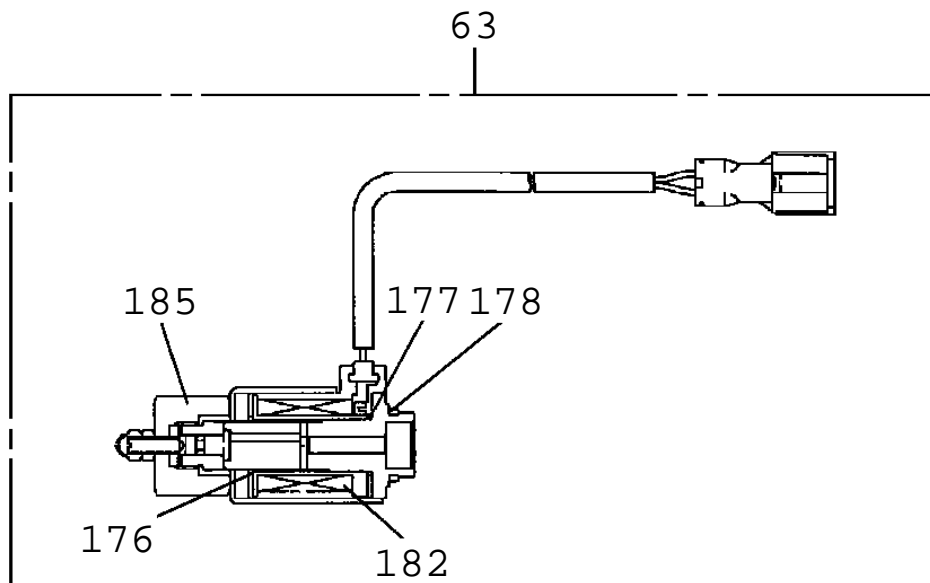
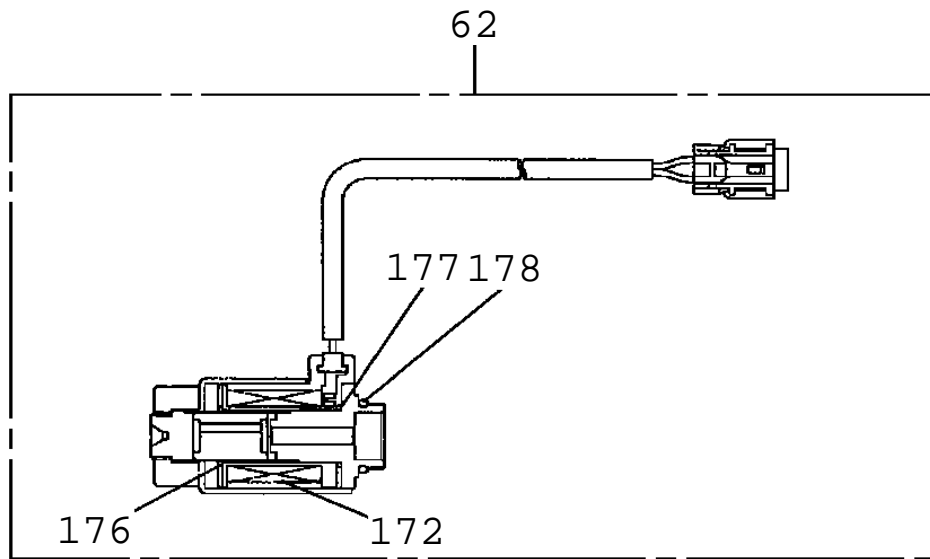
10203



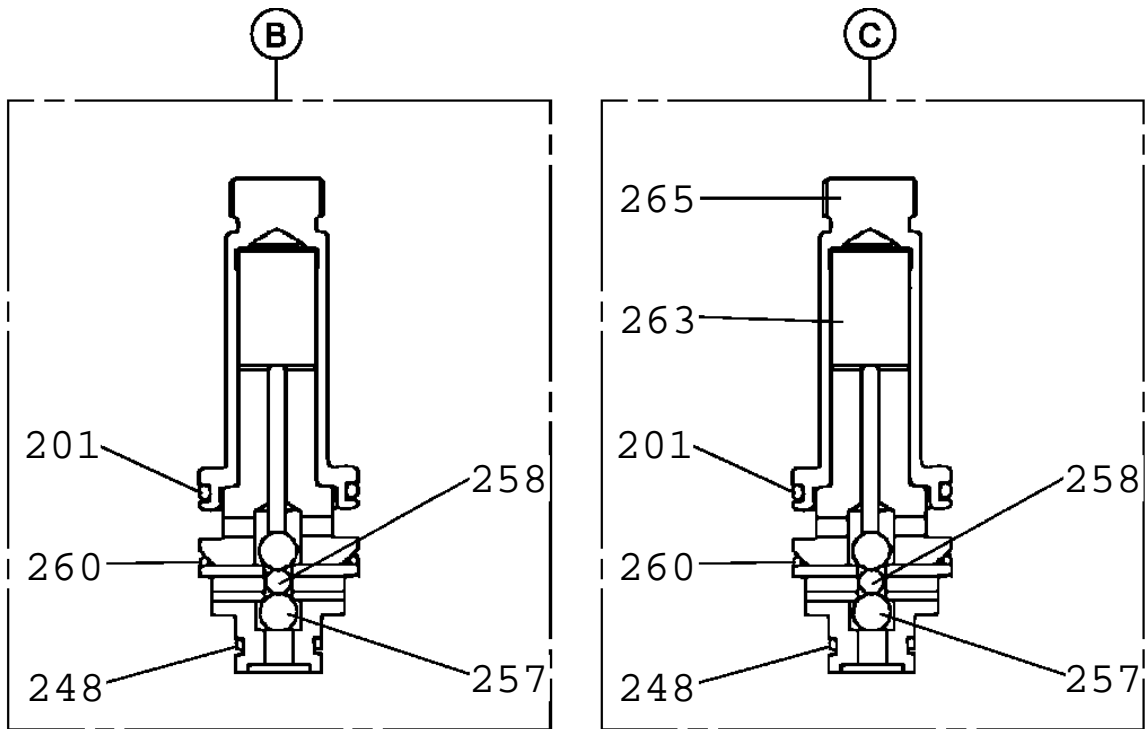
104



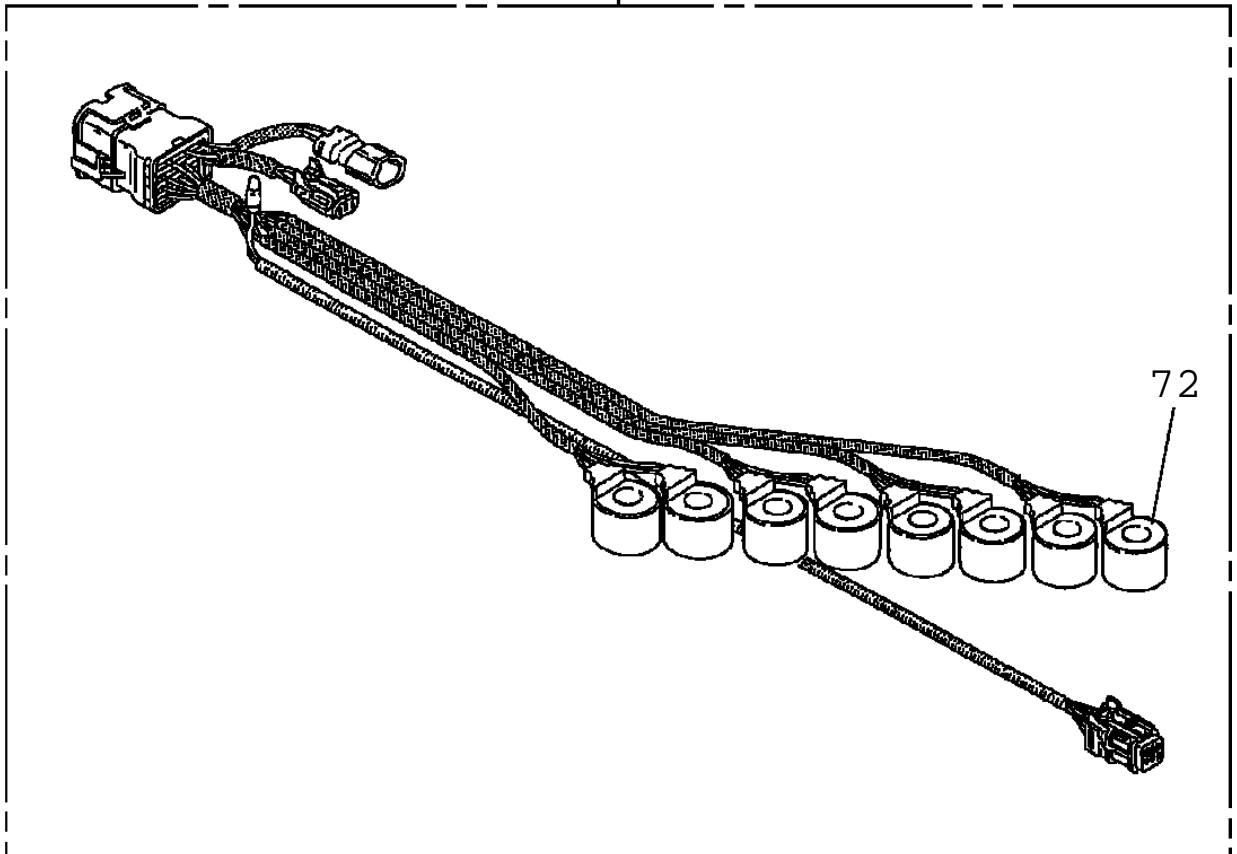
TM-ZF360 41102210360A FRAME/STD,REMOTE-RADIO CONT.,HOOK-IN
 PV1020328-00 VALVE,REMOTE CONTROL



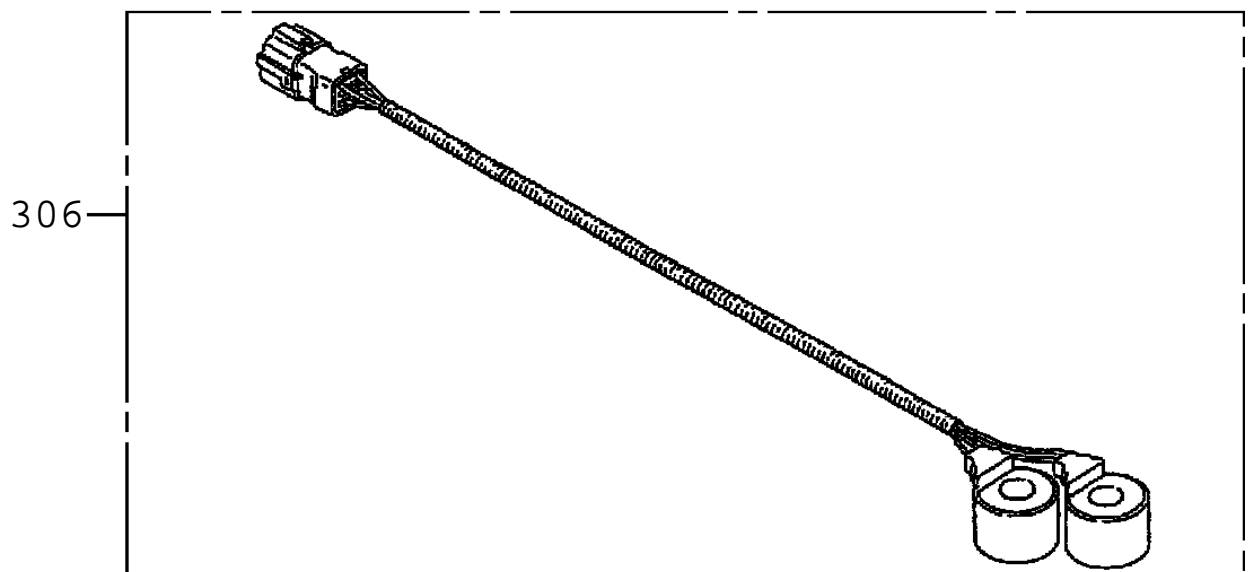
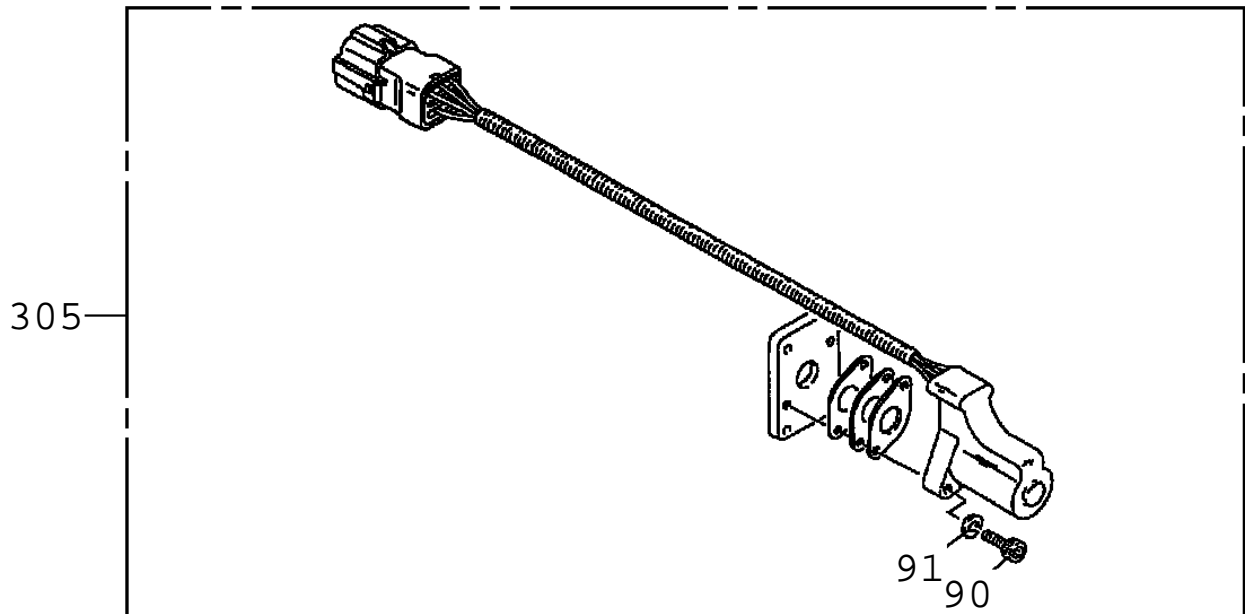
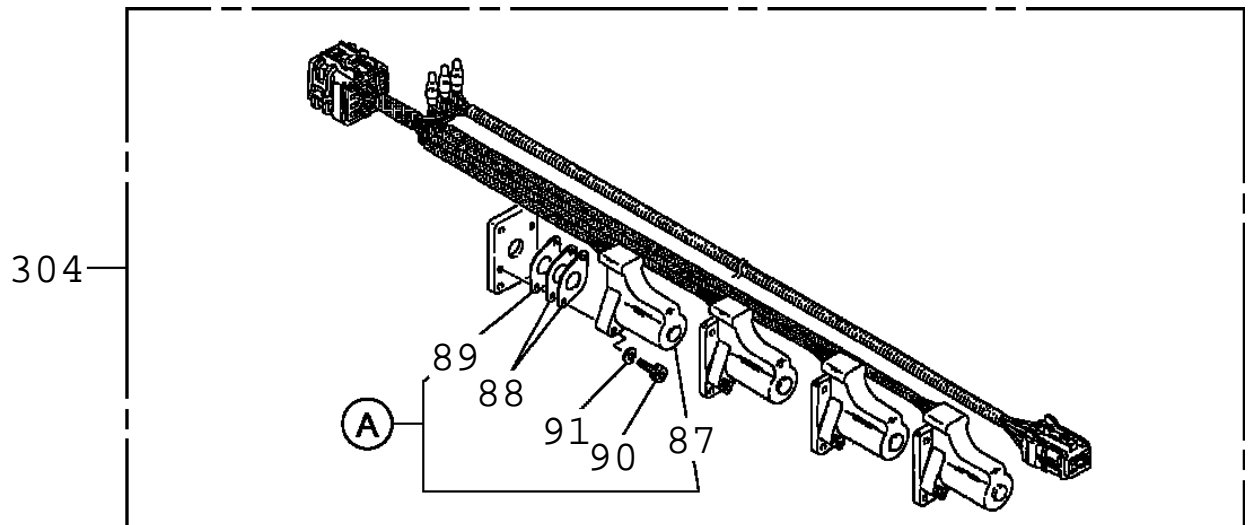
TM-ZF360 41102210360A FRAME/STD,REMOTE-RADIO CONT.,HOOK-IN
PV1020328-00 VALVE,REMOTE CONTROL



303



TM-ZF360 41102210360A FRAME/STD,REMOTE-RADIO CONT.,HOOK-IN
PV1020328-00 VALVE,REMOTE CONTROL



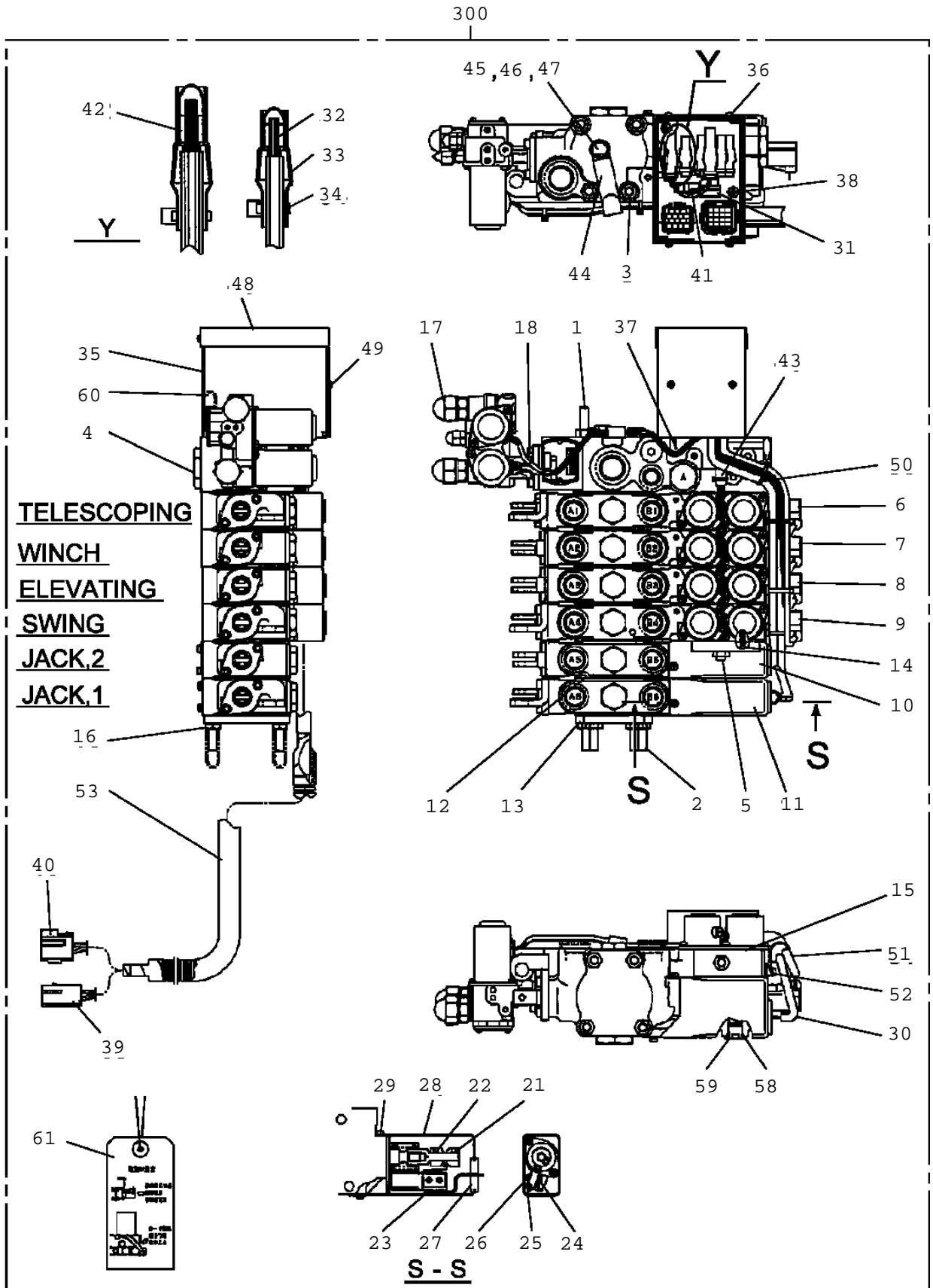
TM-ZF360 41102210360A FRAME/STD,REMOTE-RADIO CONT.,HOOK-IN

Pos No.	Parts No	Parts Name	Qty	Unit	Technical Data	Serial
1	36647985010	BLOCK,R.G.B.	1			
2	36648725010	VALVE,CONTROL (TELESCOPING)	1			
3	36648725020	VALVE,CONTROL (WINCH)	1			
4	36648725030	VALVE,CONTROL (ELEVATING)	1			
5	36648735010	VALVE,CONTROL (SWING)	1			
6	36648735020	VALVE,CONTROL (JACK)	1			
7	36648735030	VALVE,CONTROL (JACK)	1			
8	36642415490	PLATE	1			
9	36647985080	BOLT,TIE	4			
10	36646285060	CAP	4			
11	36649935010	NUT,HEXAGON	8			
12	36649935020	WASHER,PLAIN	8			
13	36605425070	PLUG	1			
14	91002801100	O-RING	1		1B P11	
35	36647985090	SPRING	1			
40	36644795100	CAP	1			
41	36647285170	SPRING (A)	1			
42	36646165070	SPRING (B)	1			
43	36644795041	SPRING	1			
44	70320127630	SPRING	1			
51	91001100600	O-RING	10		1A P6	
52	91002800600	O-RING	1		1B P6	
53	91002800800	O-RING	1		1B P8	
54	91002801000	O-RING	3		1B P10	
55	91002801100	O-RING	2		1B P11	
56	91002802500	O-RING	1		1B P25	
57	91001205500	O-RING	7		1A G55	
58	36647285010	FILTER	1			
62	36647985100	SOLENOID KIT (FOR LOW PRESSURE)	1			
63	36647985110	SOLENOID KIT (FOR UNLOAD)	1			
64	36644795031	VALVE,RELIEF	1			
65	36642415151	VALVE,REDUCING	1			
72	36642415250	COIL,SOLENOID (WITHOUT CONNECTOR)	8			
73	36642415230	CASE (COIL)	8			
74	36642415240	YOKE (A)	8			
75	36642415270	YOKE (B)	16			
76	36642415280	NUT	8			
87	36642415290	COIL (LVDT, WITHOUT CONNECTOR)	4			
88	36642415300	SHIM (T=0.5)	8			
89	36642415310	SHIM (T=0.2)	8			
90	36062605020	BOLT,HEXAGON SOCKET(WITH WASHER)	10		M4X15	
91	36062605030	WASHER	10			
101	36648725060	BLOCK,VALVE (TELESCOPING)	1			
102	36648725070	BLOCK,VALVE (WINCH)	1			
103	36648725080	BLOCK,VALVE (ELEVATING)	1			
104	36648735040	BLOCK,VALVE (SWING)	1			
114	36642415330	SPRING	3			
118	36642415340	SPRING	2			
119	36642415220	RING,BACKUP	8			
120	36642415320	PLATE	5			
124	91001101400	O-RING	12		1A P14	
125	91002801400	O-RING	7		1B P14	
130	36645155170	SPRING (A)	2			
131	36645155180	SPRING (B)	2			
142	36645605110	PLATE (FULCRUM)	3			
172	36647985120	COIL,SOLENOID	1			
176	91001001500	O-RING	2		1A S15	
177	91001001600	O-RING	2		1A S16	
178	91001101800	O-RING	2		1A P18	
182	36647985130	COIL,SOLENOID	1			
185	36647985140	LOCK ASSY	1			
195	36642415160	SPRING	1			
196	36647285390	SPRING	1			
200	91002801001	O-RING	1		1B P10A	
201	91000501700	O-RING	10			
202	91000501800	O-RING	1		ARP568-018	
203	91002802200	O-RING	1		1B P22	
214	36647985350	SPRING	1			
218	91002801200	O-RING	1		1B P12	
220	91002802000	O-RING	1		1B P20	
235	36642415210	SPRING	4			
242	91001101001	O-RING	8		1A P10A	
245	91001102100	O-RING	4		1A P21	
246	91001102200	O-RING	4		1A P22	

TM-ZF360 41102210360A FRAME/STD,REMOTE-RADIO CONT.,HOOK-IN

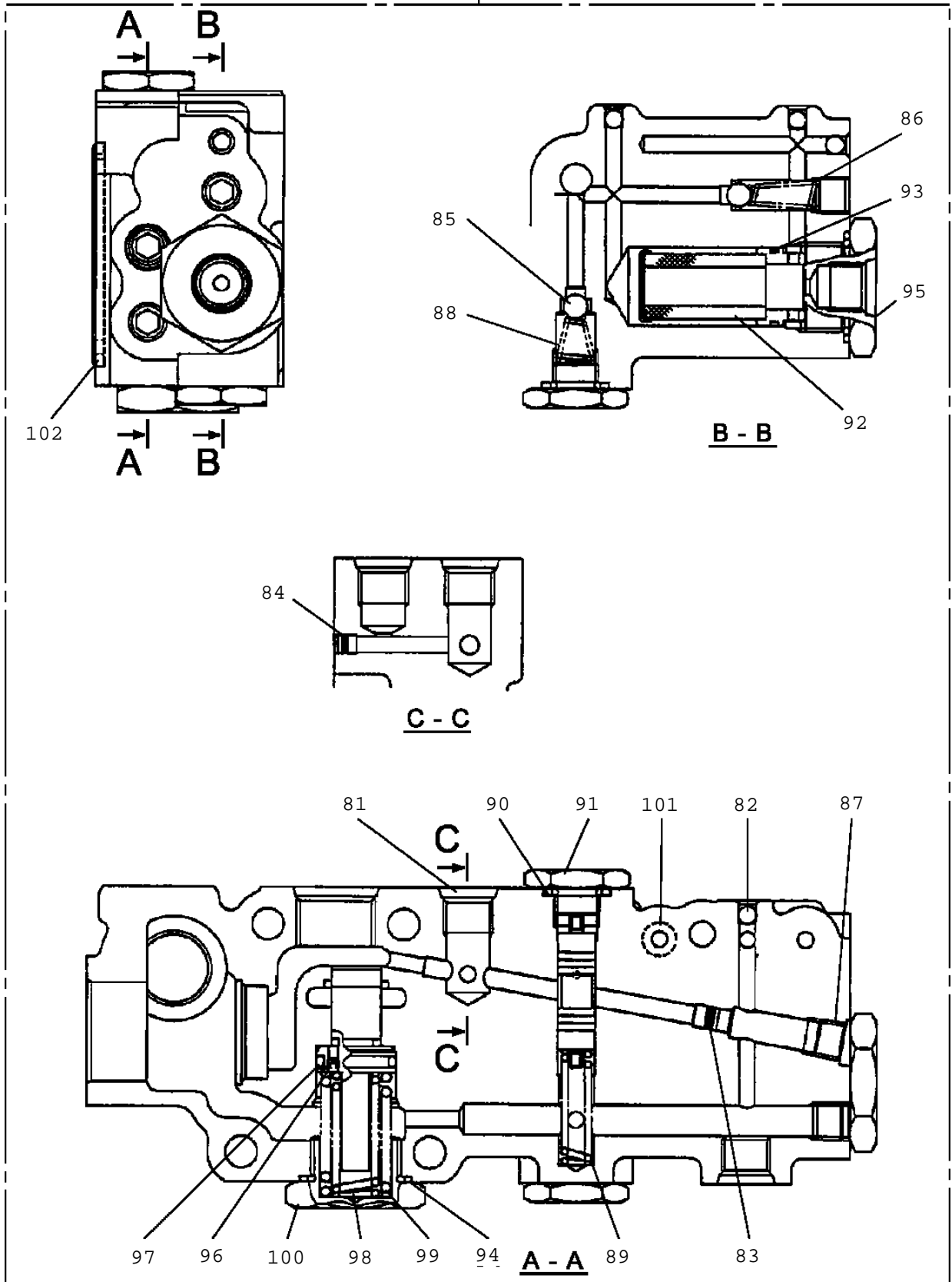
Pos No.	Parts No	Parts Name	Qty	Unit	Technical Data	Serial
248	91001000900	O-RING	12		S9	
249	91411001400	RING,BACKUP	4		P14	
250	91411002100	RING,BACKUP	8		P21	
257	80560055000	BALL,STEEL	16		3/16	
258	36642415260	BALL,STEEL	8			
260	91001001800	O-RING	8		S18	
263	36643725310	PLUNGER	2			
265	36643725320	GUIDE (SOLENOID)	2			
301	36649935030	BOX	1			
302	36649935040	COVER (BOX)	1			
303	36649935050	HARNESS	1			
304	36649935060	HARNESS	1			
305	36645155230	COIL ASSY (LVDT/EHS)	1			
306	36645155240	COIL ASSY (FHS)	1			
307	36643725260	ANGLE	1			
308	36645815150	BOLT,HEXAGON SOCKET	5			
309	36645815160	WASHER,PLAIN	4			
310	36645815170	CLIP	2			
311	36645815180	INSULOCK	10			
312	36649935070	SCREW,MACHINE	4			
314	36647985340	TIE (INSULOCK)	1			
315	36647285230	BOLT,HEXAGON SOCKET	2			
316	36647985330	TIE (INSULOCK)	2			
500	36649930000	VALVE,REMOTE CONTROL	1			

TM-ZF360 41102210360A FRAME/STD,REMOTE-RADIO CONT.,HOOK-IN
 PV1020351-00 VALVE,REMOTE CONTROL

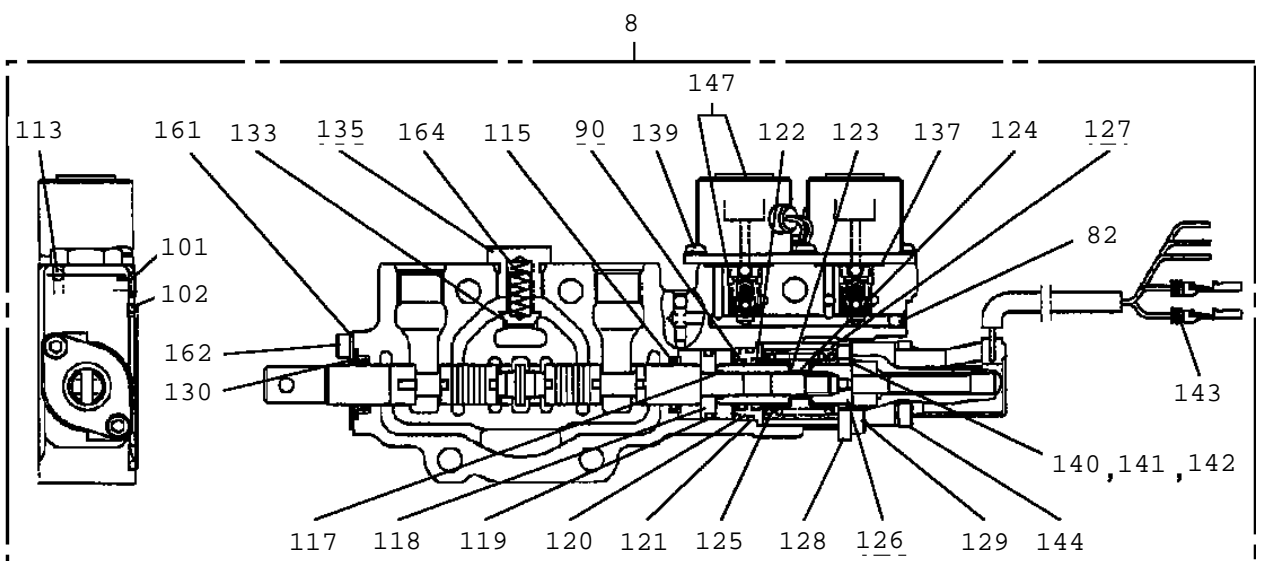
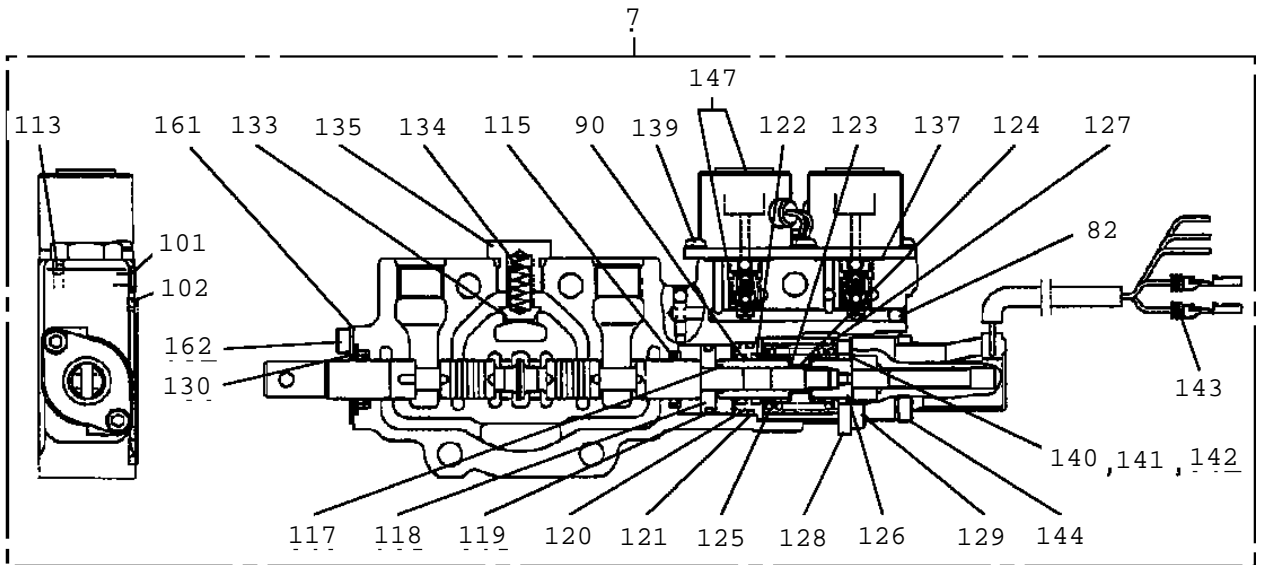
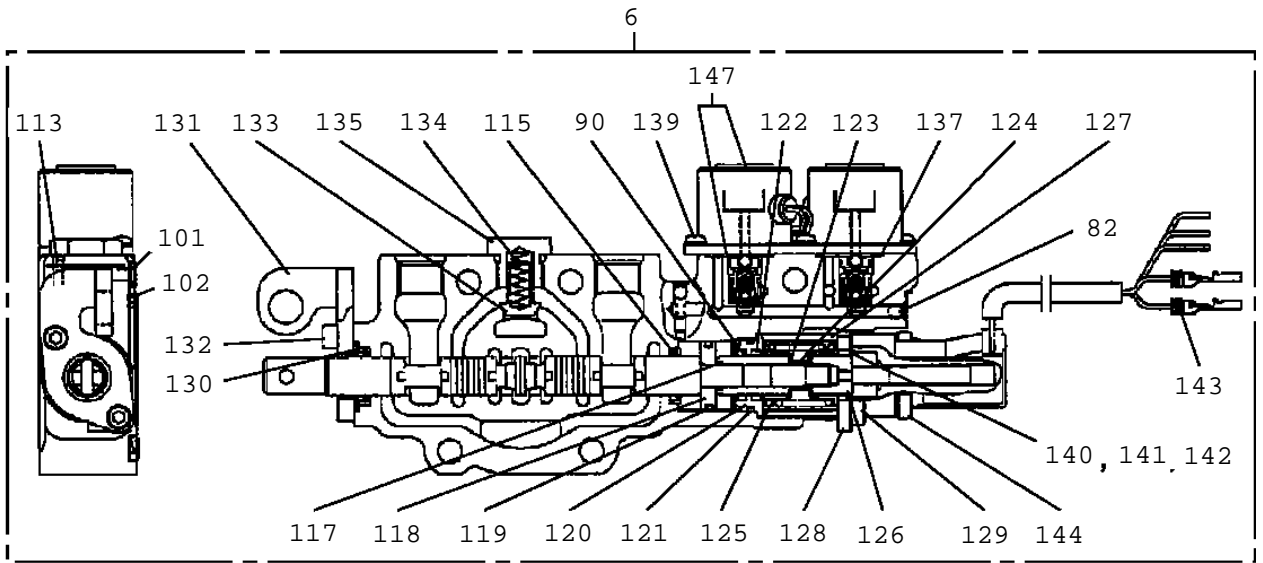


TM-ZF360 41102210360A FRAME/STD,REMOTE-RADIO CONT.,HOOK-IN
PV1020351-00 VALVE,REMOTE CONTROL

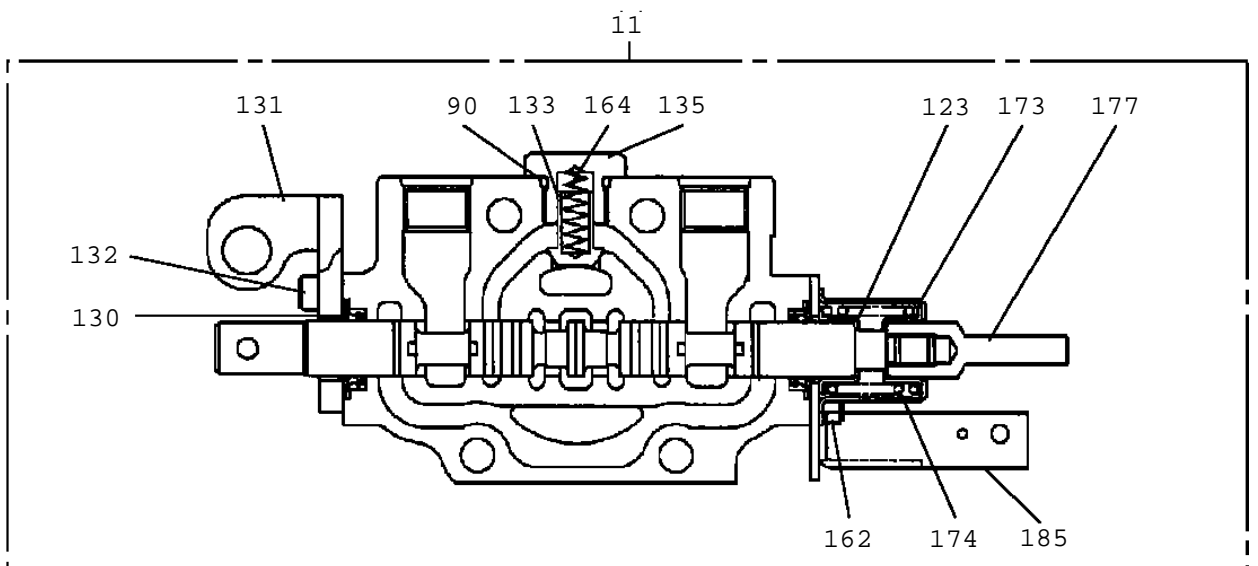
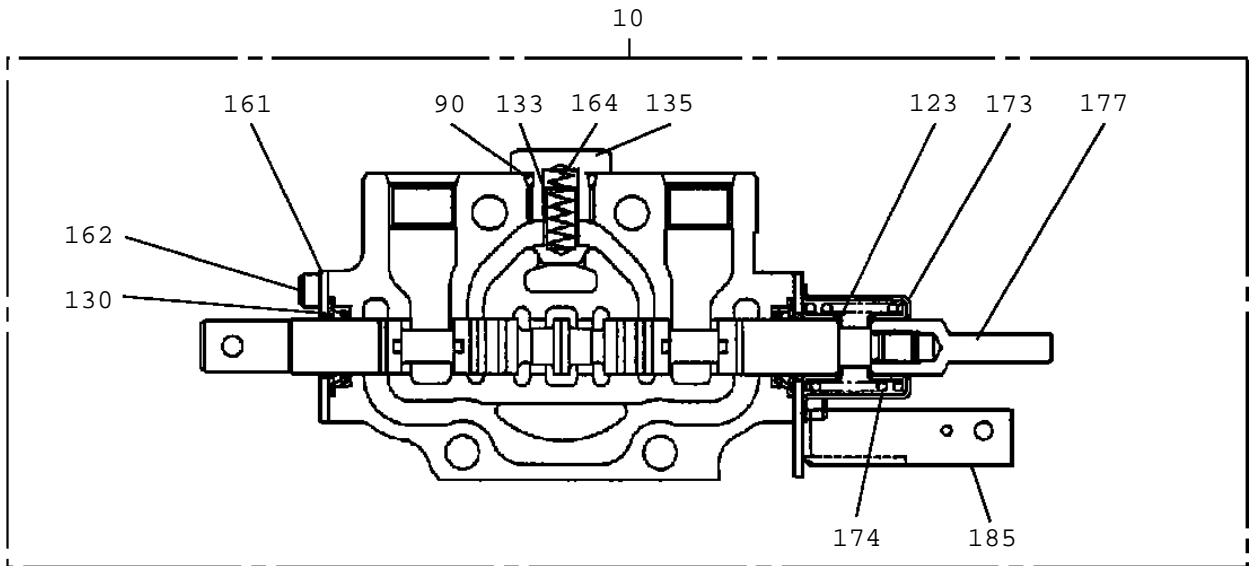
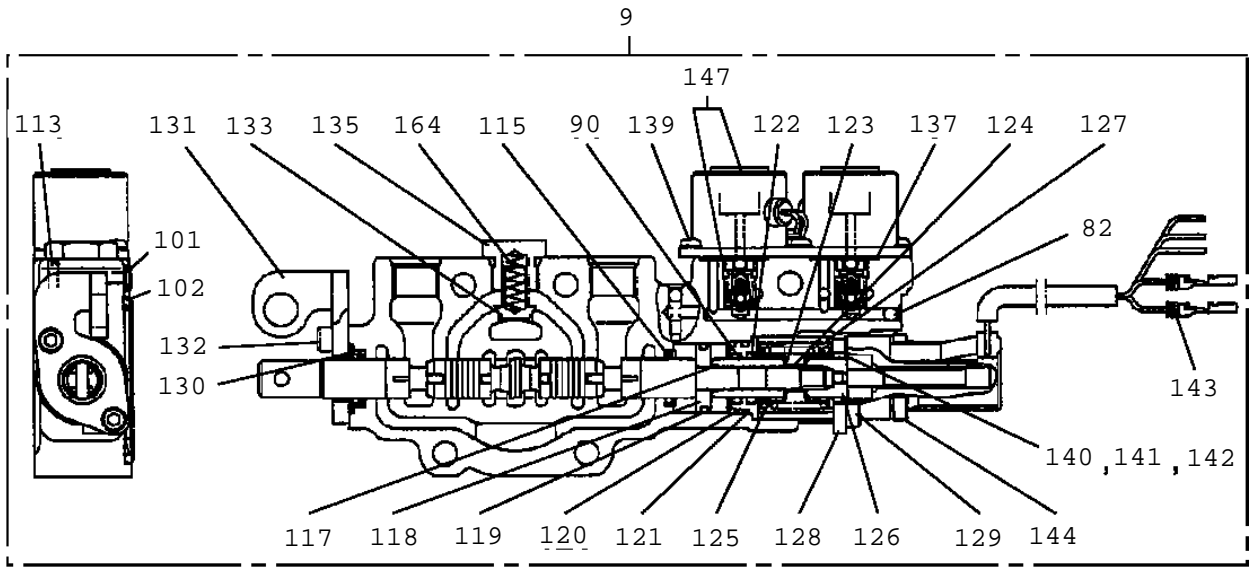
4



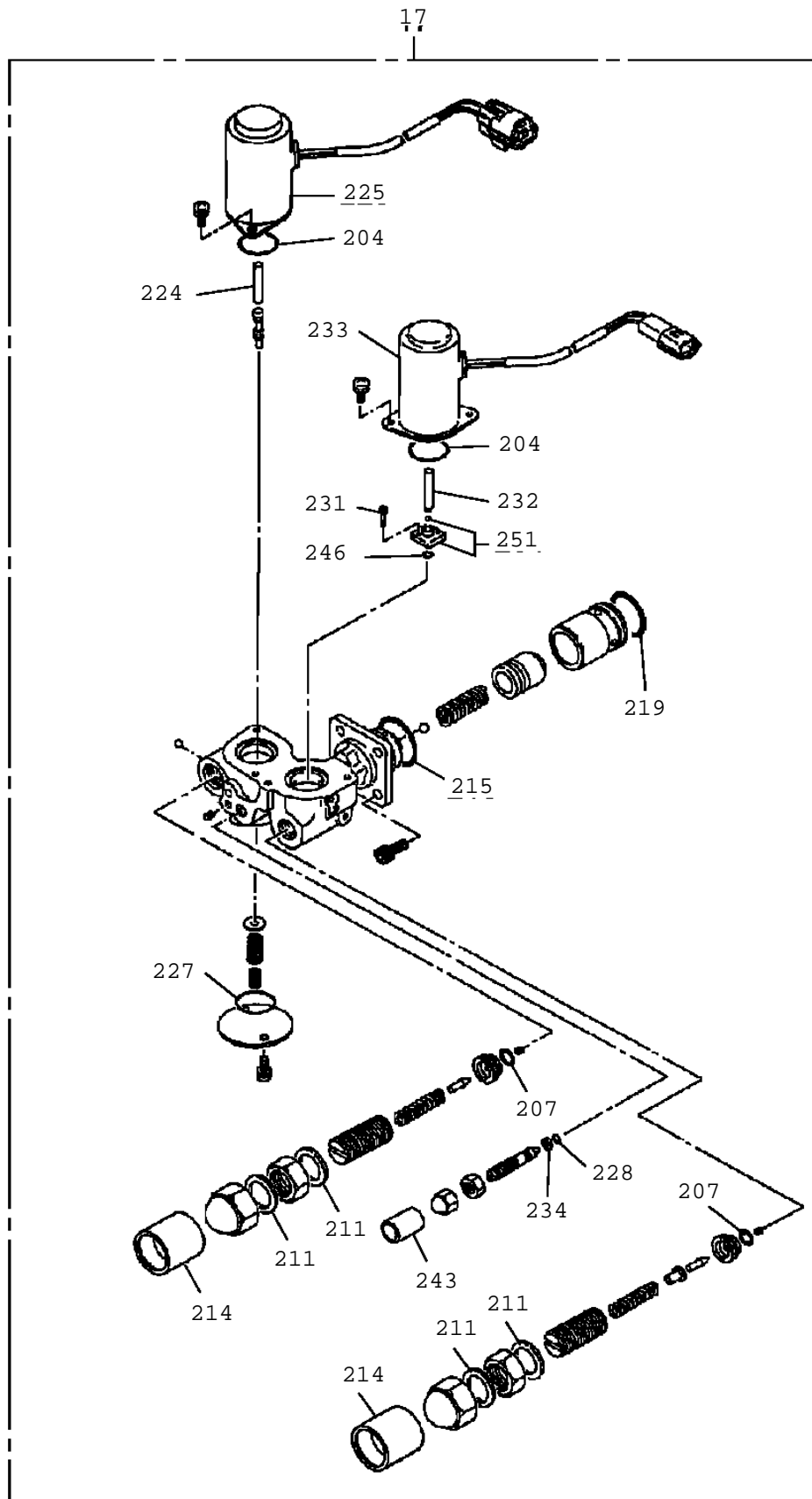
TM-ZF360 41102210360A FRAME/STD,REMOTE-RADIO CONT.,HOOK-IN
 PV1020351-00 VALVE,REMOTE CONTROL



TM-ZF360 41102210360A FRAME/STD,REMOTE-RADIO CONT.,HOOK-IN
 PV1020351-00 VALVE,REMOTE CONTROL



TM-ZF360 41102210360A FRAME/STD,REMOTE-RADIO CONT.,HOOK-IN
PV1020351-00 VALVE,REMOTE CONTROL



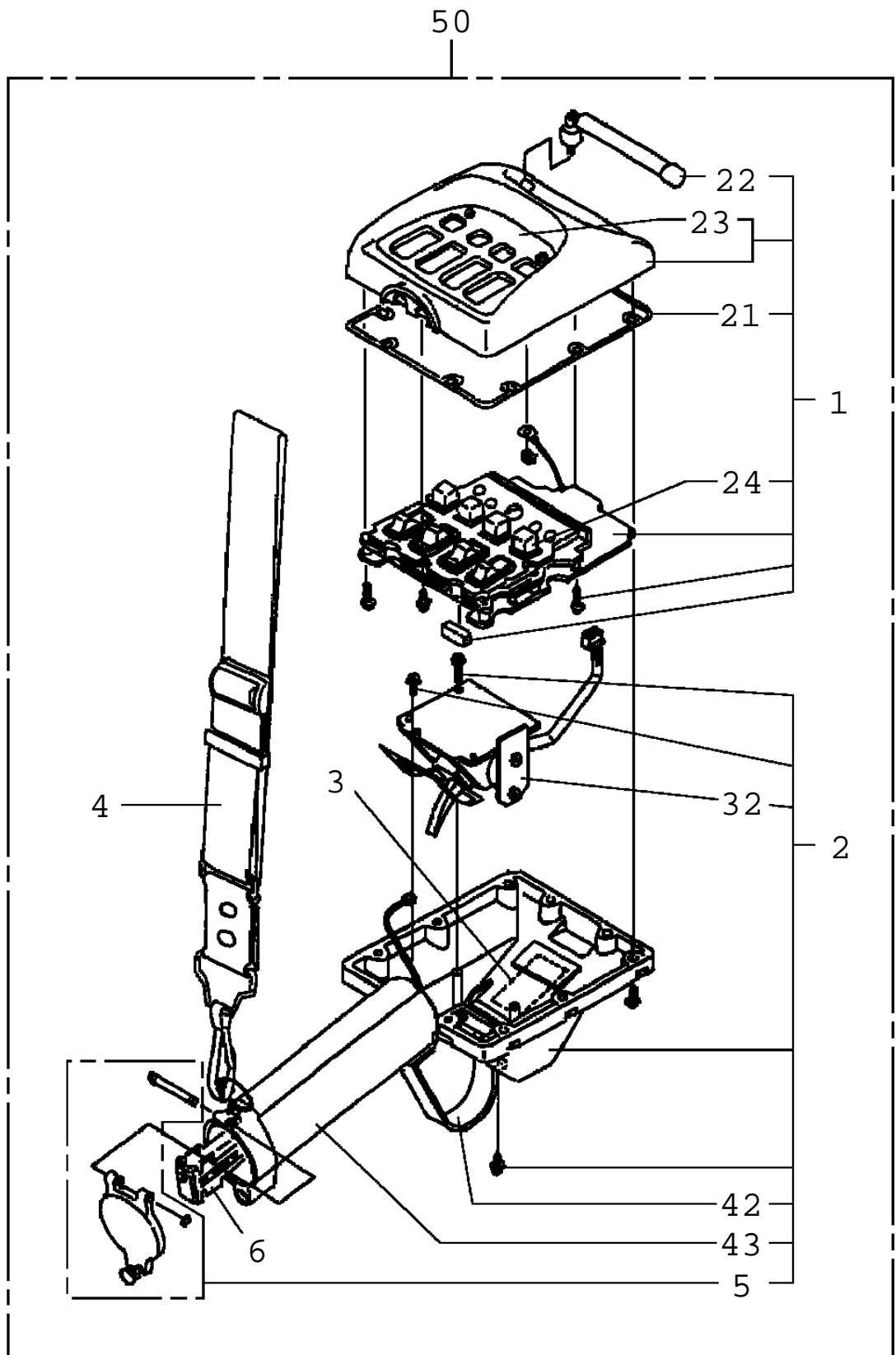
TM-ZF360 41102210360A FRAME/STD,REMOTE-RADIO CONT.,HOOK-IN

Pos No.	Parts No	Parts Name	Qty	Unit	Technical Data	Serial No
1	36645495280	BOLT,TIE	1			
2	36645495290	BOLT,TIE (A)	3			
3	90201200800	NUT	4		M8	
4	36648365010	COVER (FRONT)	1			
	36741810060	COVER (FRONT)	1			KA3410
5	36647975040	BOLT,TIE (C)	1			
6	36648365020	VALVE,CONTROL (TELESCOPING)	1			
7	36648365030	VALVE,CONTROL (WINCH)	1			
8	36648365040	VALVE,CONTROL (ELEVATING)	1			
9	36740465010	VALVE,CONTROL (SWING)	1			
10	36648365060	VALVE,CONTROL (JACK 2)	1			
11	36648365070	VALVE,CONTROL (JACK 1)	1			
12	91002905500	O-RING	2		1B G55	
13	36641555090	COVER (BOTTOM)	1			
14	80720104012	PIN,SPRING	1		4X12	
15	36644835061	COVER	1			
16	90203200800	NUT	5		M8	
17	36645405011	VALVE,SOLENOID	1			
18	36645615230	C-BOLT	4		5X12	
21	36649075060	CAM	4			
22	36646865110	SCREW,SET	4			
23	36649075050	SWITCH ASSY	2			
24	36647125090	SCREW,MACHINE	4		M2.3X14	
25	36646575070	PLATE	2			
26	36647125100	NUT	4		M2.3	
27	36645405050	BUSH	2			
28	36646575080	COVER	2			
29	80172104006	SCREW,MACHINE	6		M4X6	
30	36645405060	TUBE	2			
31	36648365080	HARNESS ASSY (SWITCH)	1			
32	36644015120	CONNECTOR	5			
33	36644015130	TUBE	6			
34	11615111410	BAND	12			
35	36644015080	BOX	1			
36	36644015150	URETHANE (ROOL STOCK)	4			
37	36644015140	COVER	1			
38	80172105008	SCREW,MACHINE	2		M5X8	
39	36648365090	HARNESS ASSY (LVDT)	1			
40	36649585250	HARNESS ASSY (SOLENOID)	1			
41	36649585260	HARNESS	1			
42	36644015110	CONNECTOR	1			
43	36640625140	TUBE	1		12B	
44	36646865070	CLIP	1			
45	90303070801	WASHER,PLAIN	1		8	
46	90302040801	WASHER,SPRING	1		8	
47	90101208012	BOLT	1		M8X12	
48	36644015070	COVER	1			
49	36645405150	SCREW,MACHINE	4		M3X5	
50	36645405160	BAND	2			
	36740765040	BAND	2			KA3410
51	36646865060	FASTENER	2			
52	36647855190	SCREW,MACHINE	2		M5X12	
53	36646875100	TUBE	1		15	
58	91001101100	O-RING	2		1A P11	
59	36644115130	PLUG	2			
60	36640755070	CAP	5			
61	36645405080	LABEL (CAUTION)	1			
81	36648365170	COVER (FRONT)	1			
	36648365171	COVER (FRONT SUB)	1			KA3410
82	36648375020	BALL,STEEL	16		3/16	
83	36646875110	COCK	1			
84	36660495110	PLUG	1			
85	80560057000	BALL,STEEL	2		1/4	
86	36640625260	SPRING	1			
87	80316030020	PLUG	5		PT1/8	
88	36640625220	SPRING	1			
89	36641075260	SPRING	1			
90	91001101400	O-RING	16		1A P14	
91	36640625210	CAP	2			
92	36640625240	FILTER	1			
93	91001001800	O-RING	1		S18	
94	91001002600	O-RING	2		S26	
95	36647395150	PLUG	1		M24	
96	36646875130	ORIFICE	1		M3	

TM-ZF360 41102210360A FRAME/STD,REMOTE-RADIO CONT.,HOOK-IN

Pos No.	Parts No	Parts Name	Qty	Unit	Technical Data	Serial No
97	91001101600	O-RING	1		1A P16	
98	36646265090	SPRING (B)	1			
99	36646265080	SPRING (A)	1			
100	36645615210	PLUG	1		24	
101	91001100600	O-RING	23		1A P6	
102	91002905500	O-RING	5		1B G55	
113	36648375030	BALL,STEEL	8		5/32	
115	36640625310	BUSH	4			
117	91001000800	O-RING	4		S8	
118	36646865190	PISTON	4			
119	91001102000	O-RING	4		1A P20	
120	36648365110	FLANGE	4			
121	91001002240	O-RING	4		S22.4	
122	91650001400	SCRAPER	4			
123	36645495210	SEAT,SPRING (RETURN)	12			
124	36648365120	SPOOL (SUB)	4			
125	36645845060	SPRING (RETURN)	4			
126	36644015260	ADAPTER	4			
127	36648365130	SPACER	4			
128	36645405090	PLATE (D)	4			
129	36645615250	C-BOLT	8		M5X25	
130	36633365100	SEAL,OIL	8			
131	36645845050	LINK	3			
132	36645615230	C-BOLT	6		5X12	
133	12635101360	SPOOL	6			
134	36635735150	SPRING (CHECK VALVE)	2			
135	36633365090	CAP (CHECK VALVE)	6			
137	91001002200	O-RING	8		S22	
139	80172104010	SCREW,MACHINE	16		M4X10	
140	36644015220	SHIM (T=0.2)	8			
141	36644015230	SHIM (T=0.3)	8			
142	36645405110	SHIM (T=1.0)	4			
143	36648365140	LVDT ASSY (1)	4			
144	36645405100	BOLT	8		M4X22	
147	36648365150	VALVE,SOLENOID (KIT)	8			
161	36633365060	PLATE (B)	3			
162	36645615260	C-BOLT	10		M5X8	
164	12635101190	SPRING	4			
173	36637475090	CAP	2			
174	36633365050	SPRING (RETURN)	2			
177	36645495220	ADAPTER	2			
185	36646575100	BRACKET	2			
204	36645405030	O-RING	2			
207	91002800700	O-RING	2		1B P7	
211	11629431040	PACKING	4			
214	16623320390	TUBE (SEAL)	2			
215	91001102200	O-RING	1		1A P22	
219	91002802100	O-RING	1		1B P21	
224	36646865170	ROD,PUSH	1		8	
225	36645495240	SOLENOID ASSY	1			
227	91001001000	O-RING	1		1A S10	
228	91002800300	O-RING	1		1B P3	
231	90131903008	BOLT,HEXAGON SOCKET	2		M3X8	
232	36645405040	ROD,PUSH	1			
233	36645495250	SOLENOID ASSY	1			
234	36645495260	RING,BACKUP	1			
243	36603185150	TUBE	1			
246	91002800400	O-RING	1		1B P4	
251	36645405180	SEAT,VALVE (WITH STEEL BALL)	1			
300	36740460001	VALVE,REMOTE CONTROL	1			

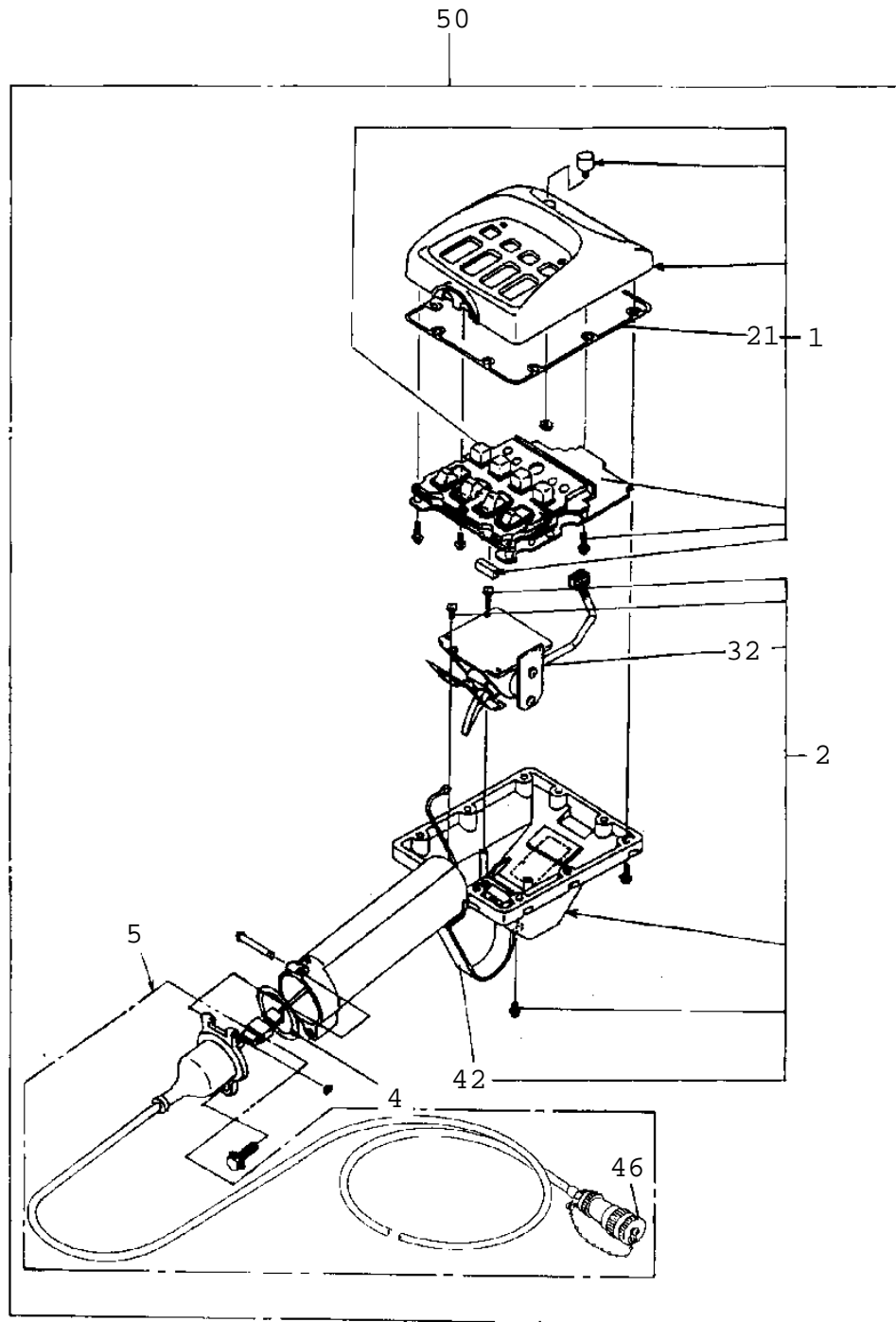
TM-ZF360 41102210360A FRAME/STD,REMOTE-RADIO CONT.,HOOK-IN
PV1030014-05 SWITCH BOX (RADIO CONTROL.M2.TYPE-B)



TM-ZF360 41102210360A FRAME/STD,REMOTE-RADIO CONT.,HOOK-IN

Pos No.	Parts No	Parts Name	Qty	Unit	Technical Data	Se
1	36800565050	CASE KIT (UPPER)	1			
2	36800565070	CASE KIT (LOWER)	1			
3	36800555080	LABEL (SEAL)	1			
4	36800095041	BELT ASSY	1			
5	36800565100	COVER (BATTERY)	1			
6	36800095030	CASE (BATTERY)	1			
21	36800095060	CASE (RING)	1			
22	36800565060	ANTENNA (FLEXIBLE)	1			
23	36800565150	PLATE,NAME	1			
24	36801995060	RUBBER ASSY	1			
32	36800565080	CASE ASSY	1			
42	36800295110	GUARD	1			
43	36801995080	GRIP	1			
50	36800562000	SWITCH BOX (RADIO CONTROL.M2.TYPE-B)	1			

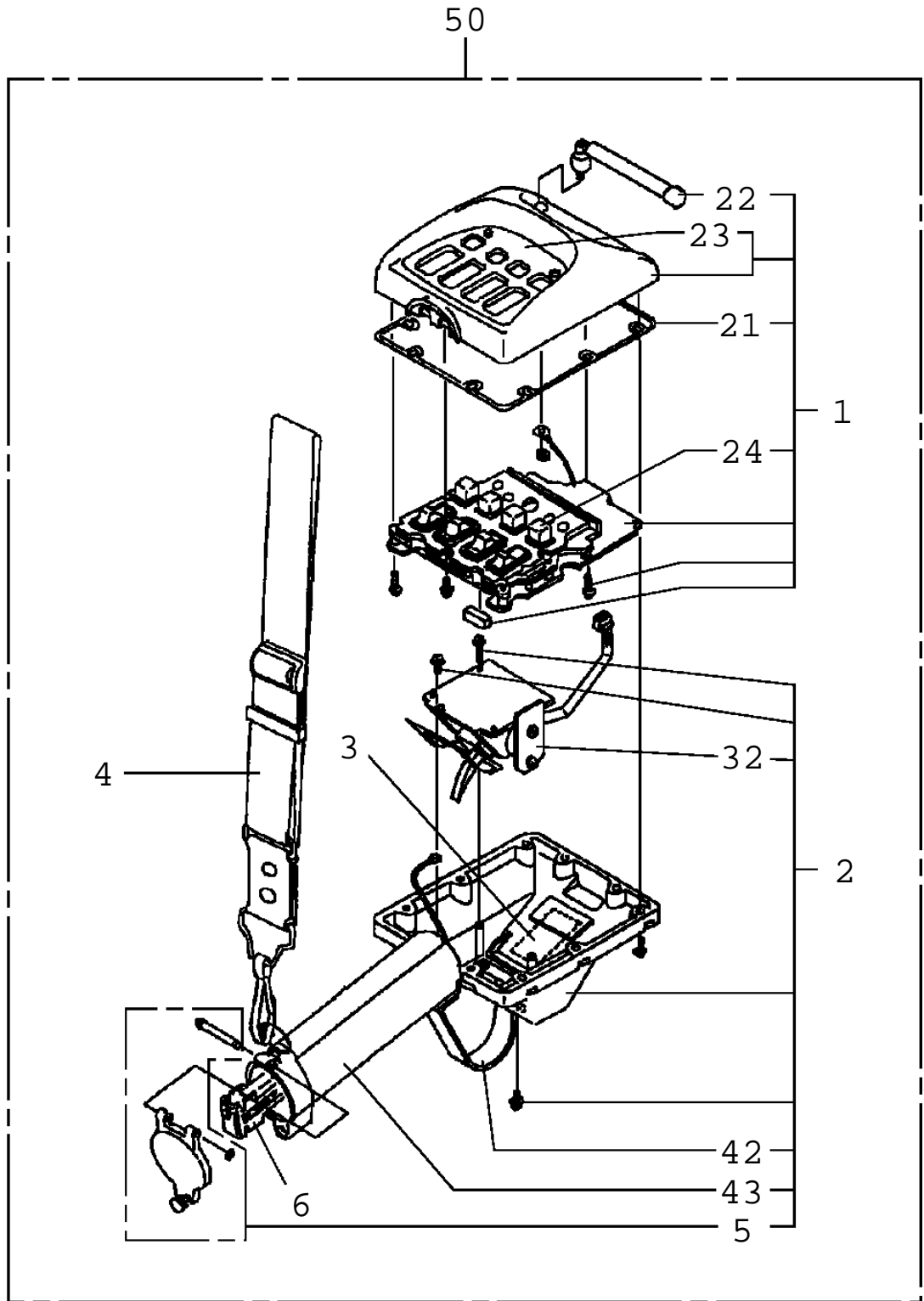
TM-ZF360 41102210360A FRAME/STD,REMOTE-RADIO CONT.,HOOK-IN
PV1030015-02 SWITCH BOX (REMOTE CONTROL.M2)



TM-ZF360 41102210360A FRAME/STD,REMOTE-RADIO CONT.,HOOK-IN

Pos No.	Parts No	Parts Name	Qty	Unit	Technical Data	Serial N
1	36800585010	CASE KIT (UPPER)	1			
2	36800585020	CASE KIT (LOWER)	1			
4	36800585030	PACKING	1			
5	36800585040	CABLE ASSY	1		10M	
21	36800095060	CASE (RING)	1			
32	36800565080	CASE ASSY	1			
42	36800295110	GUARD	1			
46	36800585070	CAP (CONNECTOR,WITH CHAIN)	1			
50	36800582000	SWITCH BOX (REMOTE CONTROL.M2)	1			

TM-ZF360 41102210360A FRAME/STD,REMOTE-RADIO CONT.,HOOK-IN
PV1030019-05 SWITCH BOX (RADIO CONTROL.M2.TYPE-A)

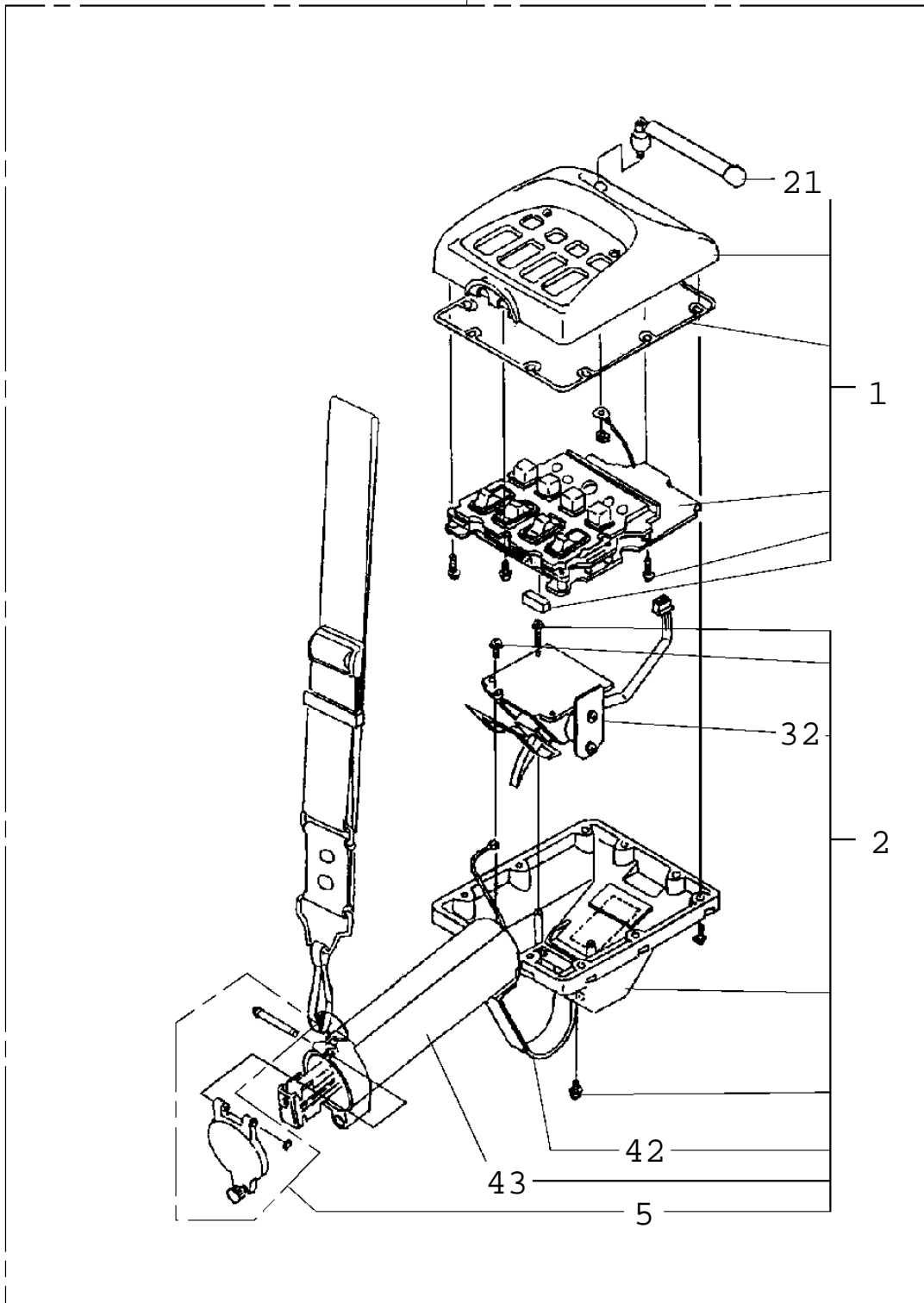


TM-ZF360 41102210360A FRAME/STD,REMOTE-RADIO CONT.,HOOK-IN

Pos No.	Parts No	Parts Name	Qty	Unit	Technical Data	Se
1	36800555050	CASE KIT (UPPER)	1			
2	36800565070	CASE KIT (LOWER)	1			
3	36800555080	LABEL (SEAL)	1			
4	36800095041	BELT ASSY	1			
5	36800565100	COVER (BATTERY)	1			
6	36800095030	CASE (BATTERY)	1			
21	36800095060	CASE (RING)	1			
22	36800565060	ANTENNA (FLEXIBLE)	1			
23	36800565150	PLATE,NAME	1			
24	36801995060	RUBBER ASSY	1			
32	36800565080	CASE ASSY	1			
42	36800295110	GUARD	1			
43	36801995080	GRIP	1			
50	36800552000	SWITCH BOX (RADIO CONTROL.M2.TYPE-A)	1			

TM-ZF360 41102210360A FRAME/STD,REMOTE-RADIO CONT.,HOOK-IN
PV1030030-02 SWITCH BOX (RADIO CONTROL,C-TYPE)

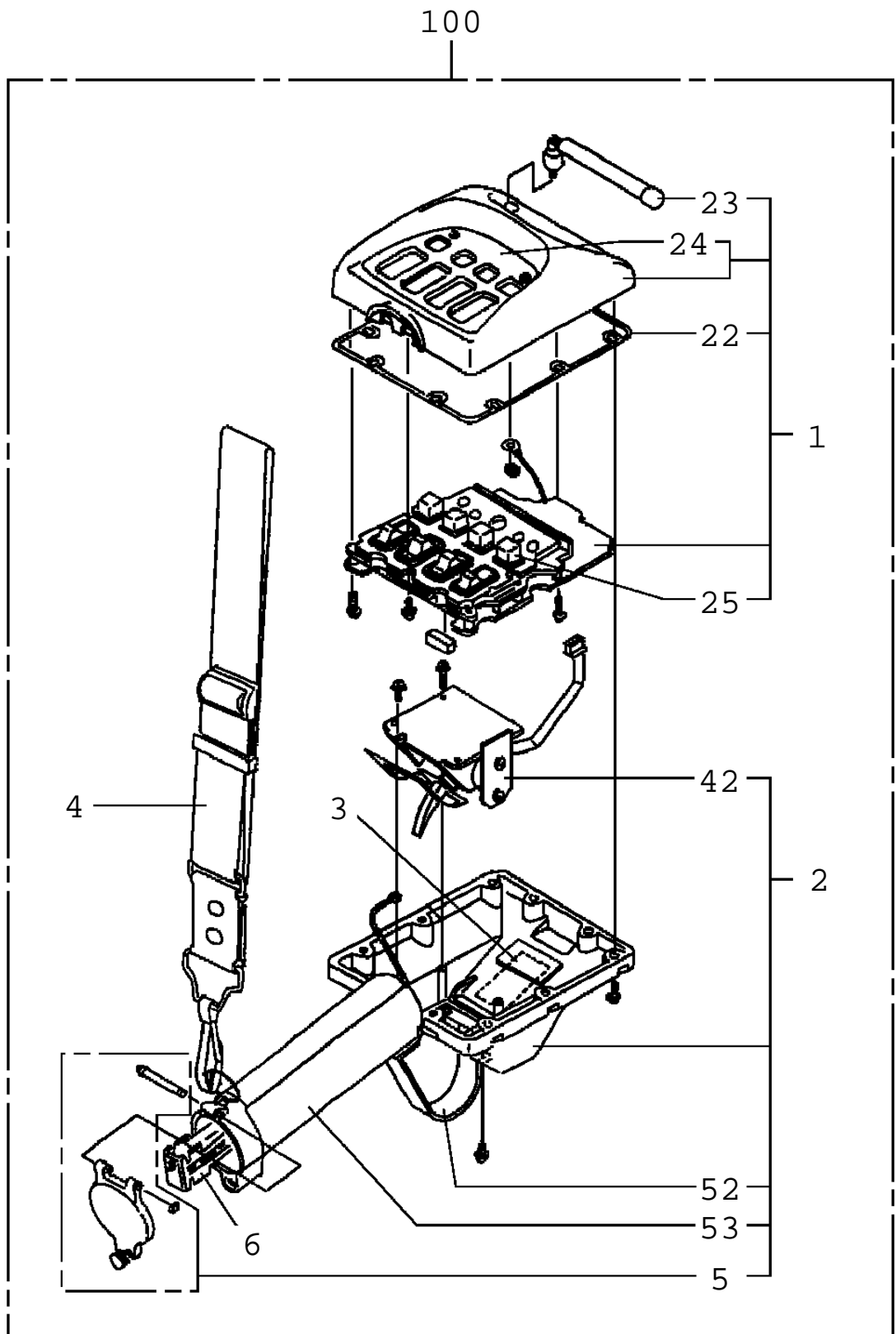
50



TM-ZF360 41102210360A FRAME/STD,REMOTE-RADIO CONT.,HOOK-IN

Pos No.	Parts No	Parts Name	Qty	Unit	Technical Data	S
1	36801455010	CASE ASSY (UPPER)	1			
2	36800565070	CASE KIT (LOWER)	1			
5	36800565100	COVER (BATTERY)	1			
21	36801455020	ANTENNA (FLEXIBLE ,WITH O-RING & NUT)	1			
32	36800565080	CASE ASSY	1			
42	36800295110	GUARD	1			
43	36801995080	GRIP	1			
50	36801452000	SWITCH BOX (RADIO CONTROL,C-TYPE)	1			

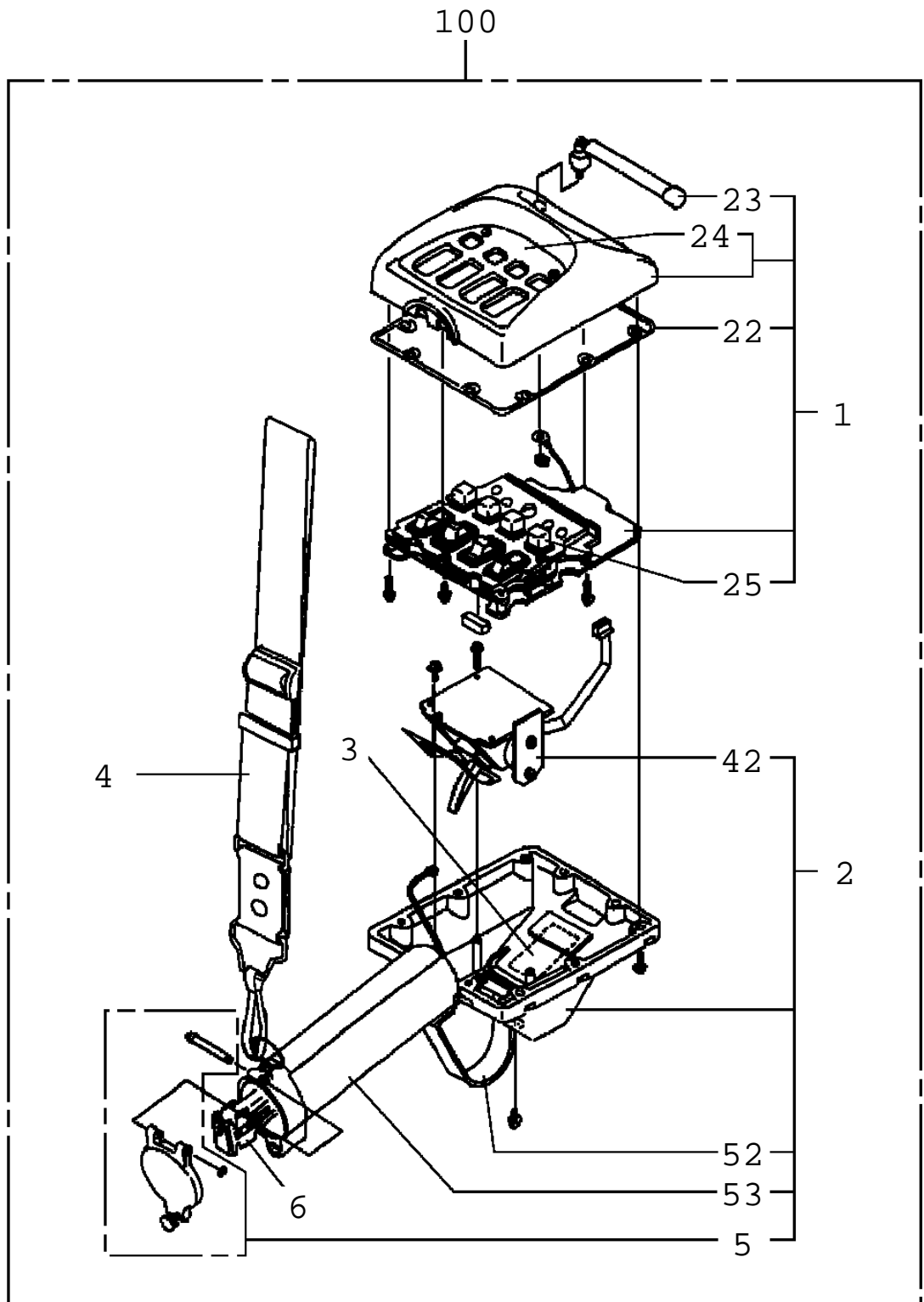
TM-ZF360 41102210360A FRAME/STD,REMOTE-RADIO CONT.,HOOK-IN
PV1030034-05 SWITCH BOX (RADIO CONTROL,TYPE-D)



TM-ZF360 41102210360A FRAME/STD,REMOTE-RADIO CONT.,HOOK-IN

Pos No.	Parts No	Parts Name	Qty	Unit	Technical Data	Serial
1	36801995020	CASE KIT	1			
	36801995020	CASE KIT	1			
2	36800565070	CASE KIT (LOWER)	1			
	36800565070	CASE KIT (LOWER)	1			
3	36800555080	LABEL (SEAL)	1			
	36800555080	LABEL (SEAL)	1			
4	36800095041	BELT ASSY	1			
	36800095041	BELT ASSY	1			
5	36800565100	COVER (BATTERY)	1			
	36800565100	COVER (BATTERY)	1			
6	36800095030	CASE (BATTERY)	1			
	36800095030	CASE (BATTERY)	1			
22	36800095060	CASE (RING)	1			
	36800095060	CASE (RING)	1			
23	36801995040	ANTENNA (FLEXIBLE)	1			
	36801995040	ANTENNA (FLEXIBLE)	1			
24	36800565150	PLATE,NAME	1			
	36800565150	PLATE,NAME	1			
25	36800565130	RUBBER	1			
	36800565130	RUBBER	1			
42	36800565080	CASE ASSY	1			
	36800565080	CASE ASSY	1			
52	36800295110	GUARD	1			
	36800295110	GUARD	1			
53	36801995080	GRIP	1			
	36801995080	GRIP	1			
100	36801992000	SWITCH BOX (RADIO CONTROL,TYPE-D)	1			
	36801992000	SWITCH BOX (RADIO CONTROL,TYPE-D)	1			

TM-ZF360 41102210360A FRAME/STD,REMOTE-RADIO CONT.,HOOK-IN
PV1030037-05 SWITCH BOX (RADIO CONTROL,TYPE-E)

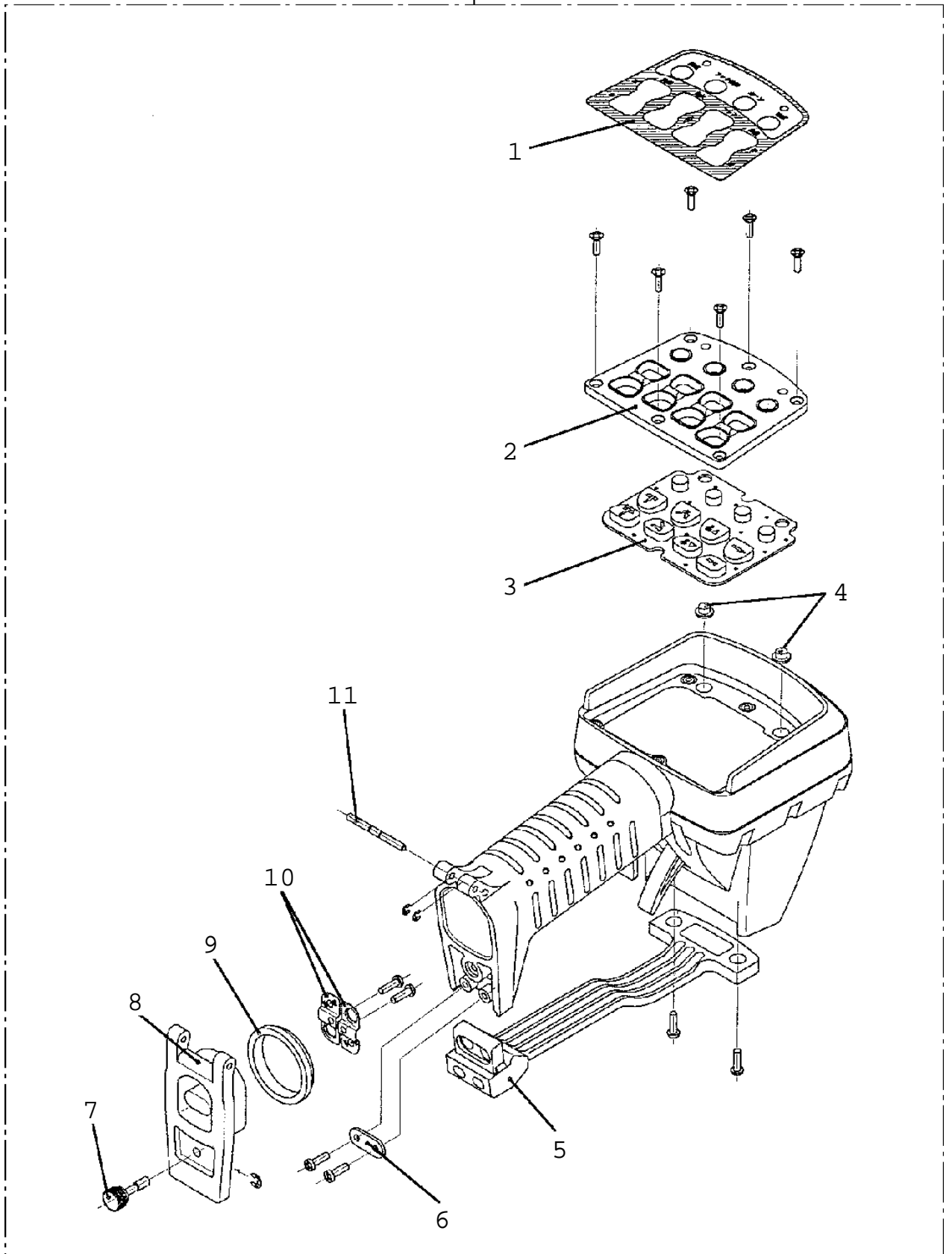


TM-ZF360 41102210360A FRAME/STD,REMOTE-RADIO CONT.,HOOK-IN

Pos No.	Parts No	Parts Name	Qty	Unit	Technical Data	Serial
1	36802015010	CASE KIT	1			
2	36800565070	CASE KIT (LOWER)	1			
3	36800555080	LABEL (SEAL)	1			
4	36800095041	BELT ASSY	1			
5	36800565100	COVER (BATTERY)	1			
6	36800095030	CASE (BATTERY)	1			
22	36800095060	CASE (RING)	1			
23	36801995040	ANTENNA (FLEXIBLE)	1			
24	36800565150	PLATE,NAME	1			
25	36800565130	RUBBER	1			
42	36800565080	CASE ASSY	1			
52	36800295110	GUARD	1			
53	36801995080	GRIP	1			
100	36802012000	SWITCH BOX (RADIO CONTROL,TYPE-E)	1			

TM-ZF360 41102210360A FRAME/STD,REMOTE-RADIO CONT.,HOOK-IN
PV1030052-00 SWITCH BOX (RADIO CONTROL)

30

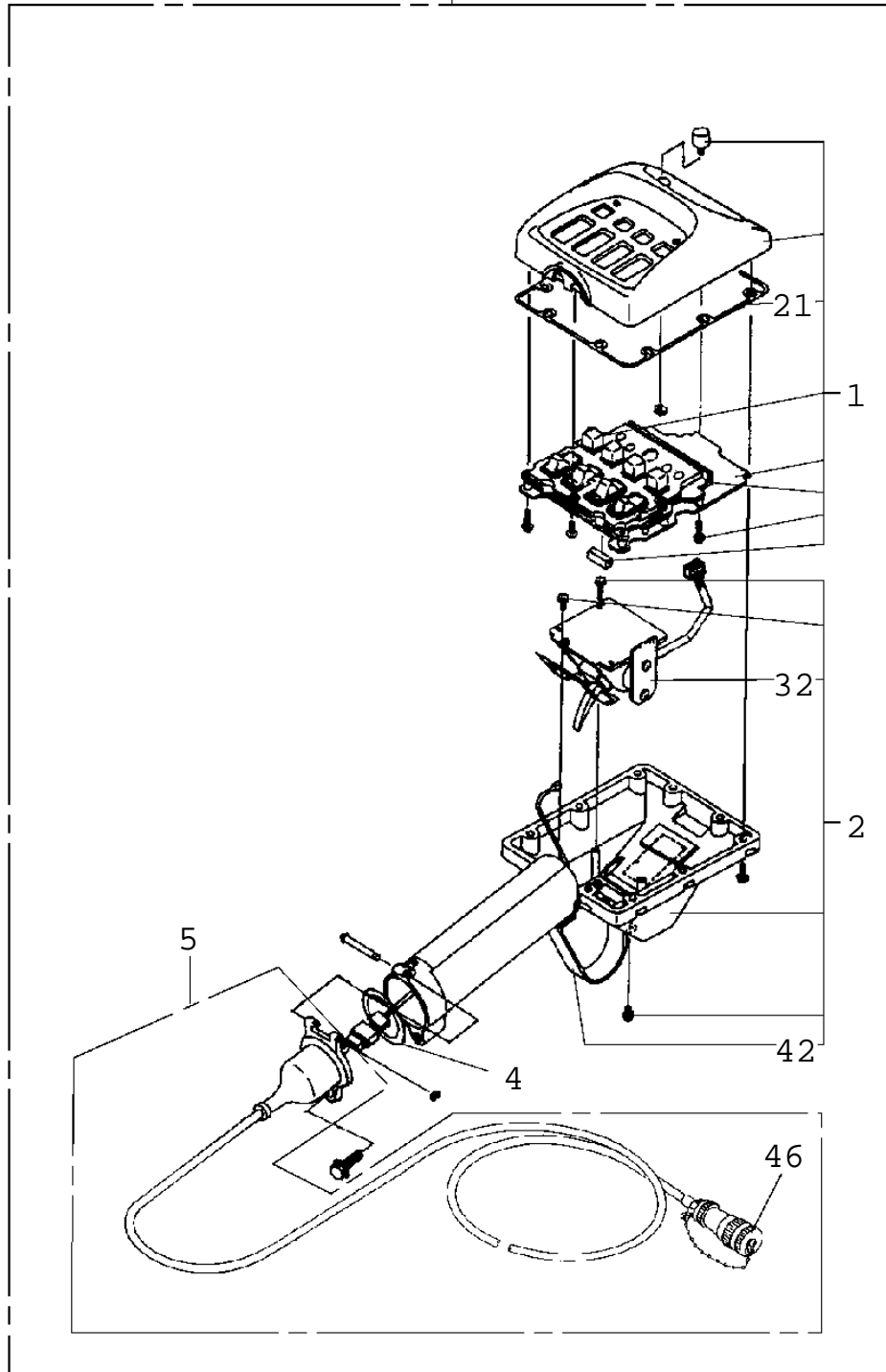


TM-ZF360 41102210360A FRAME/STD,REMOTE-RADIO CONT.,HOOK-IN

Pos No.	Parts No	Parts Name	Qty	Unit	Technical Data	Serial No (S
1	36802435060	PLATE,NAME	1			
2	36802435070	PANEL	1			
3	36802435080	BUTTON (RUBBER)	1			
4	36802435090	LENS	2			
5	36802435100	GUARD	1			
6	36802435110	PLATE	1			
7	36802435050	SCREW	1			
8	36802435120	CAP	1			
9	36802435130	PACKING	1			
10	36802435140	BRUSH	2			
11	36802435150	SHAFT	1			
30	36802435010	SWITCH BOX (RADIO CONTROL)	1			

TM-ZF360 41102210360A FRAME/STD,REMOTE-RADIO CONT.,HOOK-IN
PV1030057-00 SWITCH BOX (REMOTE CONTROL,20M)

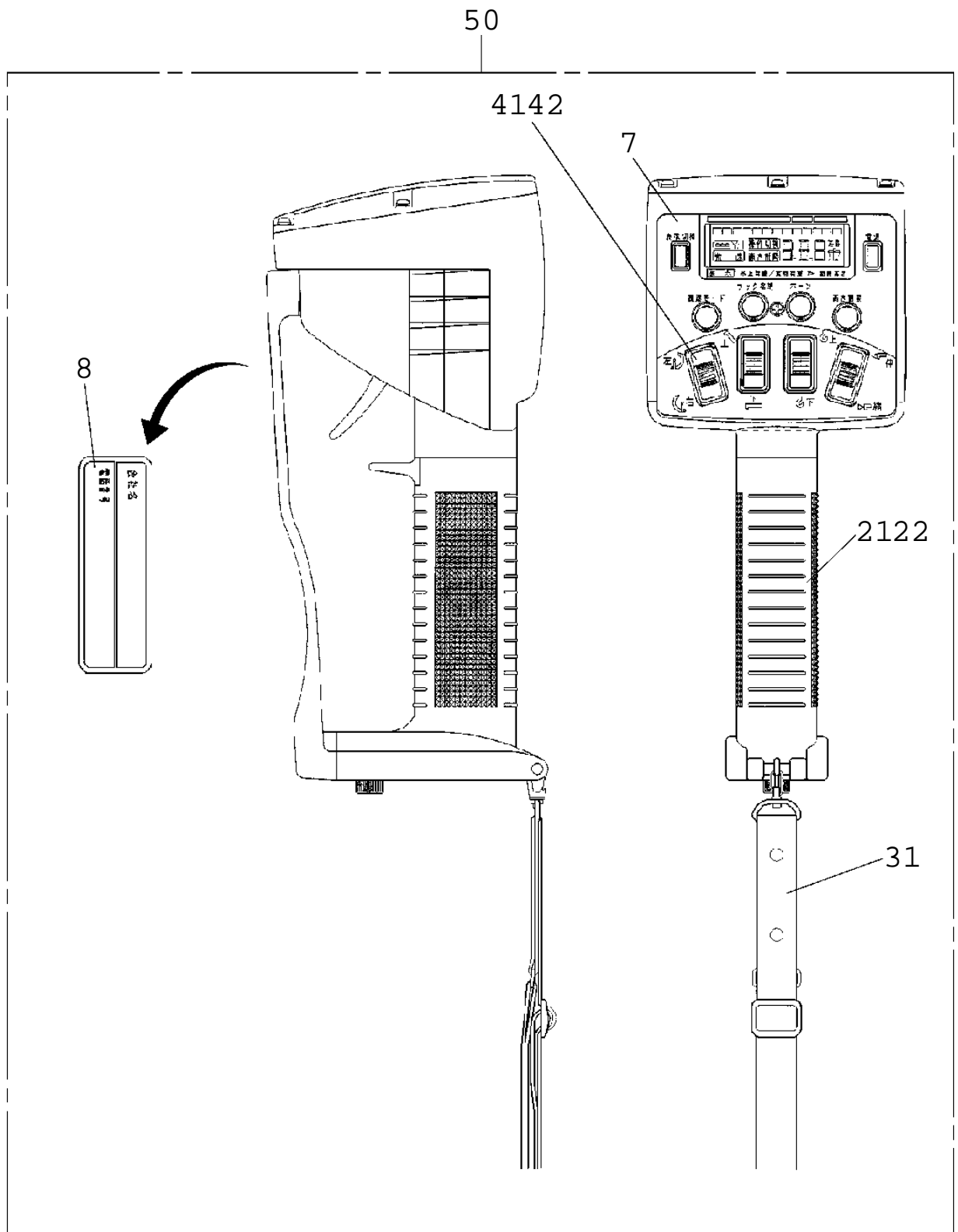
50



TM-ZF360 41102210360A FRAME/STD,REMOTE-RADIO CONT.,HOOK-IN

Pos No.	Parts No	Parts Name	Qty	Unit	Technical Data	Serial
1	36802815010	CASE KIT (UPPER)	1			
2	36802815020	CASE KIT (LOWER)	1			
4	36800585030	PACKING	1			
5	36802815030	CABLE ASSY	1		20M	
21	36800095060	CASE (RING)	1			
32	36800565080	CASE ASSY	1			
42	36800295110	GUARD	1			
46	36800585070	CAP (CONNECTOR,WITH CHAIN)	1			
50	36802811000	SWITCH BOX (REMOTE CONTROL,20M)	1			

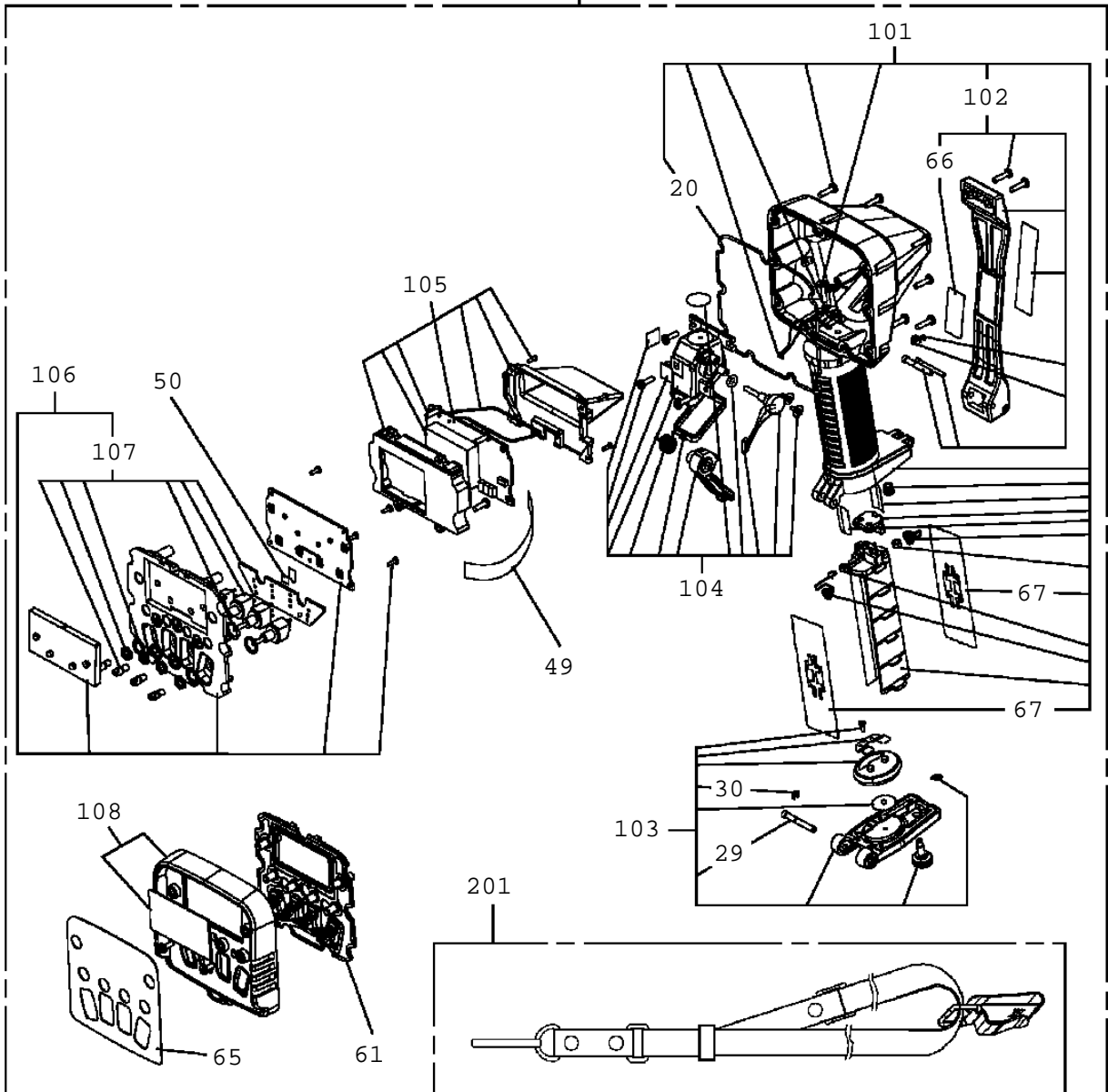
TM-ZF360 41102210360A FRAME/STD,REMOTE-RADIO CONT.,HOOK-IN
PV1030060-02 SWITCH BOX(RADIO CONTROL)



TM-ZF360 41102210360A FRAME/STD,REMOTE-RADIO CONT.,HOOK-IN

Pos No.	Parts No	Parts Name	Qty	Unit	Technical Data	Serial No (St
7	36802865030	PLATE,NAME	1			
8	36802865050	PLATE,NAME	1			
21	36802865040	CASE (BATTERY)	1			
22	36802865060	BATTERY (4 PIECES)	1			
31	36802865070	STRAP	1			
41	36802865080	RUBBER (FOR SWITCH)	1			
50	36802863000	SWITCH BOX(RADIO CONTROL)	1			

300



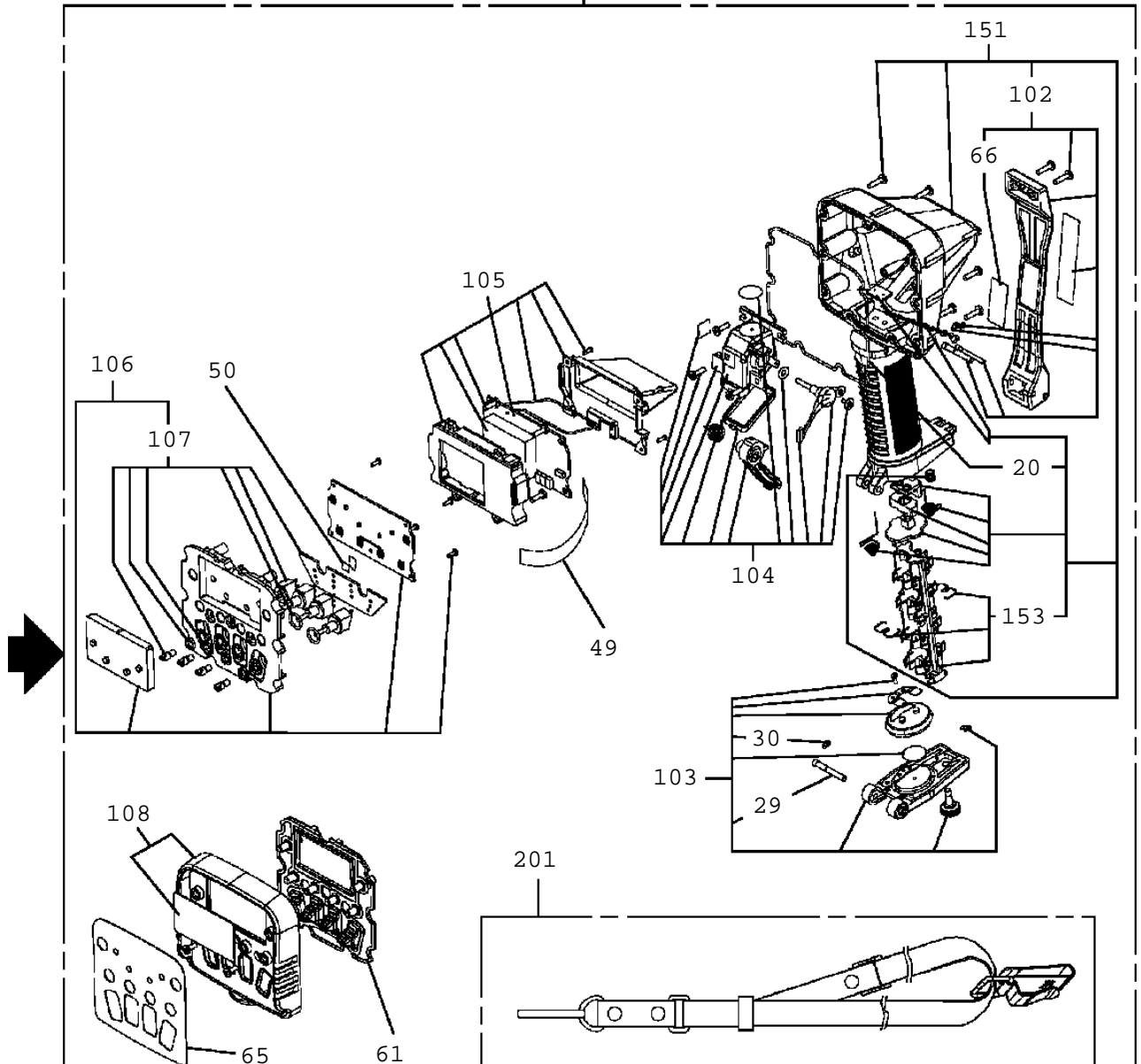
注意

1. 本体分解時には、指示番号20の「Oリング (ケース)」を併せて注文ください。
2. 「RF ASSY」を交換する場合は、指示番号66の「ラベル (コクイン)」も併せて注文ください。
3. お送りする「ラベル (コクイン)」には製造番号は印字されていないので記入してください。

NOTICE

1. When disassembling the main unit, order a key No.20 [O-RING(CASE)] beforehand.
2. When replacing [RF ASSY] order a Key No.66 [LABEL(SELIAL)] beforehand.
3. Serial No.is not stamped on the [LABEL(SELIAL)] before shipment. Fill in the blank by yourself.

300



注意

1. 本体分解時には、指示番号20の「Oリング (ケース)」を併せて注文ください。
2. 「RF ASSY」を交換する場合は、指示番号66の「ラベル (コクイン)」も併せて注文ください。
3. お送りする「ラベル (コクイン)」には製造番号は印字されていないので記入してください。

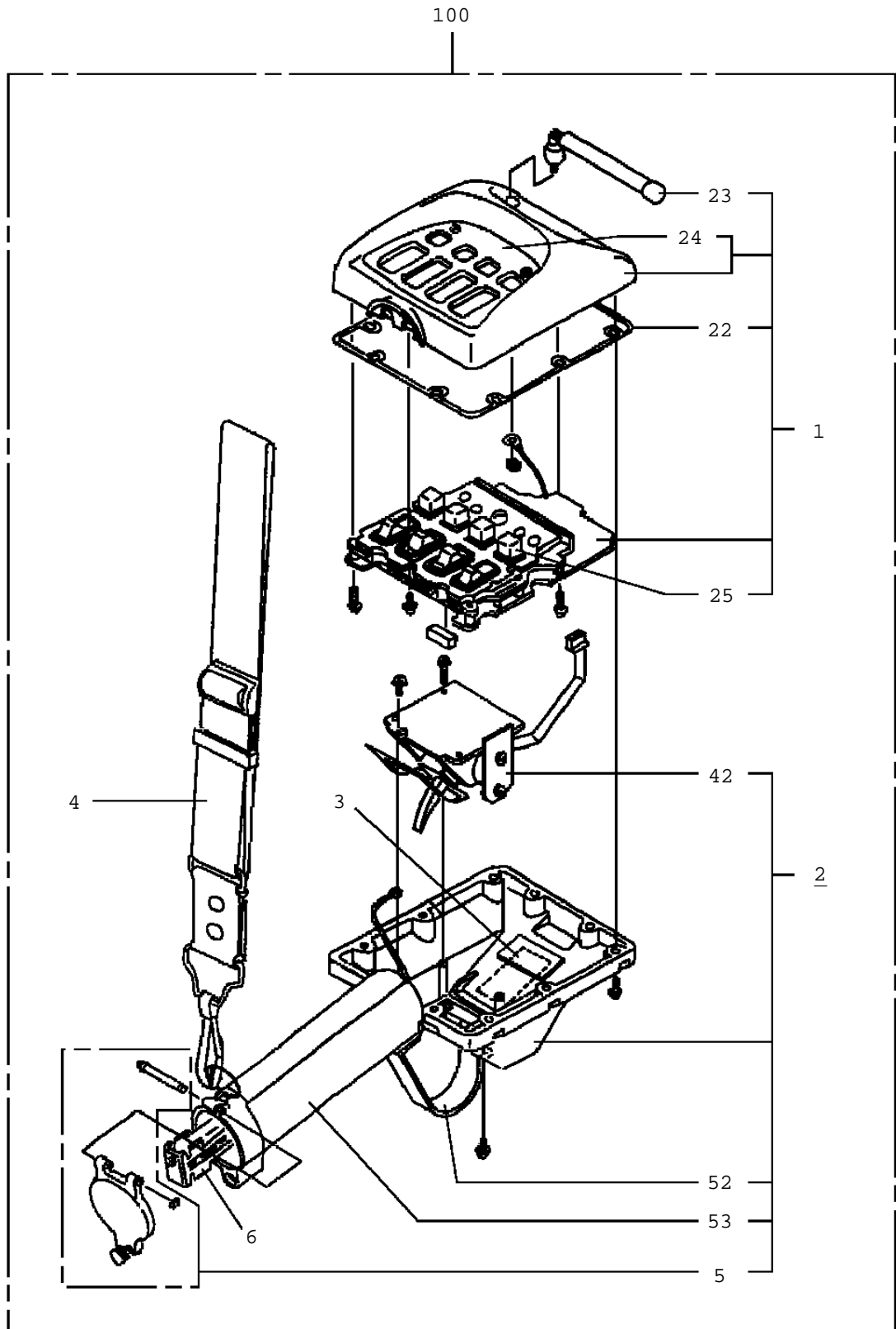
NOTICE

1. When disassembling the main unit, order a key No.20 「O-RING(CASE)」 beforehand.
2. When replacing 「RF ASSY」 order a Key No.66 「LABEL(SELIAL)」 beforehand.
3. Serial No.is not stamped on the 「LABEL(SELIAL)」 before shipment. Fill in the blank by yourself.

TM-ZF360 41102210360A FRAME/STD,REMOTE-RADIO CONT.,HOOK-IN

Pos No.	Parts No	Parts Name	Qty	Unit	Technical Data	Ser
20	36804915010	O-RING (CASE)	1			
29	36804915020	PIN	1			
30	36804915030	RING	1			
49	36805795020	HARNESS	1			
50	36805795030	HARNESS	1			
61	36804915060	RUBBER(FRONT)	1			
65	36804915070	PLATE,NAME (TM,STD.)	1			
66	36804915080	LABEL (SERIAL)	1			
101	36804915090	CASE ASSY(LOWER)	1			
102	36804915100	GUARD ASSY (HAND)	1			
103	36804915110	COVER ASSY (BATTERY)	1			
104	36804915120	LEVER ASSY (TRIGGER)	1			
105	36804915130	RF ASSY	1			
106	36804915140	PANEL ASSY (INNER)	1			
107	36804915150	SWITCH ASSY	1			
108	36804915160	CASE ASSY (FRONT)	1			
151	36804917570	CASE ASSY(LOWER)	1			KA2
153	36804917530	HOLDER (BATTERY)	1			KA2
201	36804915170	STRAP	1			
300	36804913000	SWITCH BOX (RADIO CONTROL,LED TYPE)	1			

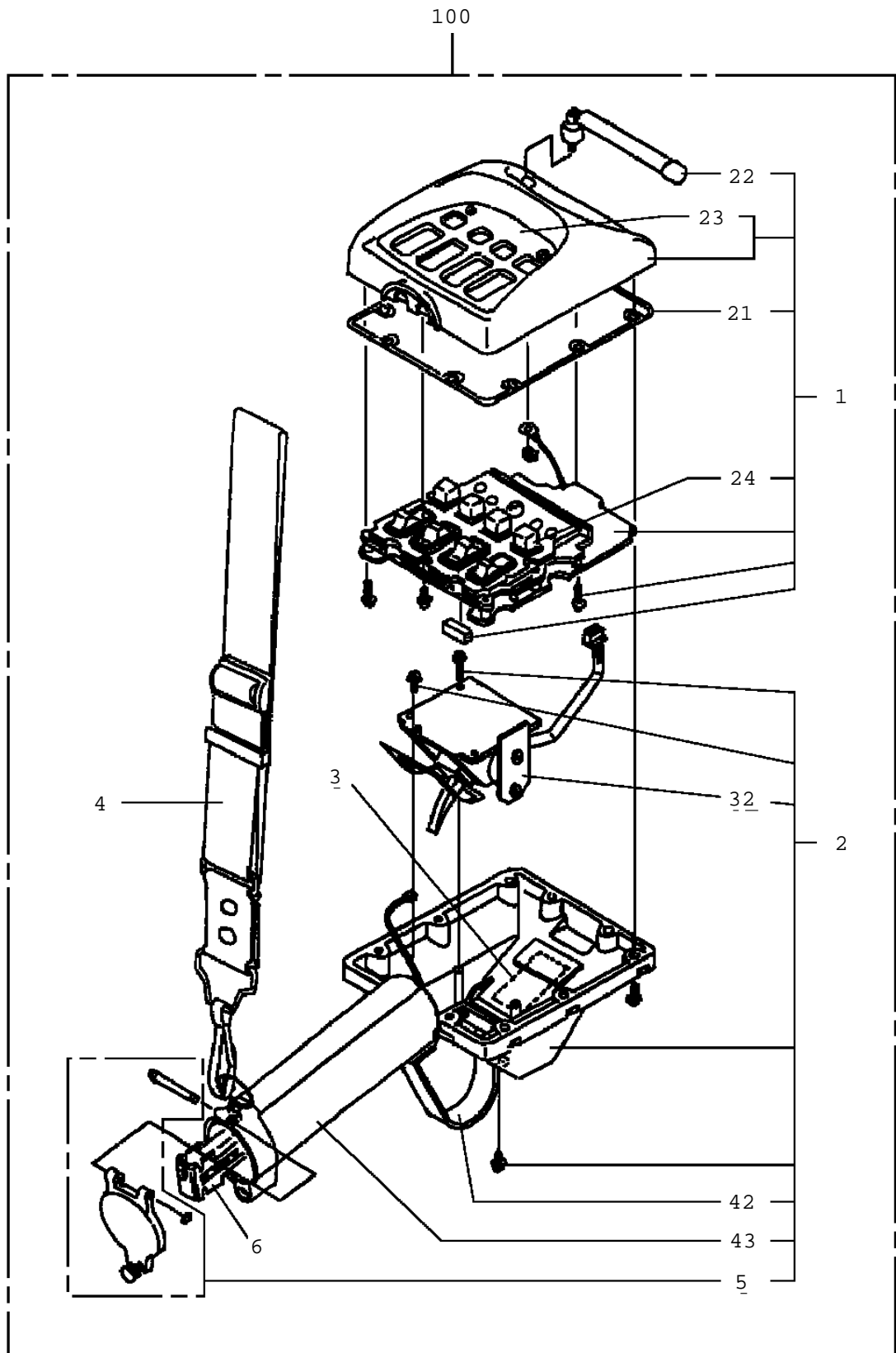
TM-ZF360 41102210360A FRAME/STD,REMOTE-RADIO CONT.,HOOK-IN
PV1030086-00 SWITCH BOX (FUTABA)



TM-ZF360 41102210360A FRAME/STD,REMOTE-RADIO CONT.,HOOK-IN

Pos No.	Parts No	Parts Name	Qty	Unit	Technical Data	Serial No (Start)
1	36801995021	CASE KIT (UPPER)	1			
	36801995021	CASE KIT (UPPER)	1			
2	36800565071	CASE KIT (LOWER)	1			
	36800565071	CASE KIT (LOWER)	1			
3	36800555081	PLATE,NAME (SEAL)	1			
	36800555081	PLATE,NAME (SEAL)	1			
4	36800095042	BELT ASSY	1			
	36800095042	BELT ASSY	1			
5	36800565101	COVER (BATTERY)	1			
	36800565101	COVER (BATTERY)	1			
6	36800095031	CASE (BATTERY)	1			
	36800095031	CASE (BATTERY)	1			
22	36800095061	RING (CASE)	1			
	36800095061	RING (CASE)	1			
23	36801995041	ANTENNA (FLEXIBLE)	1			
	36801995041	ANTENNA (FLEXIBLE)	1			
24	36800565151	PLATE,NAME	1			
	36800565151	PLATE,NAME	1			
25	36800565131	RUBBER (BOTTUN)	1			
	36800565131	RUBBER (BOTTUN)	1			
42	36800565081	CASE ASSY (LEVER)	1			
	36800565081	CASE ASSY (LEVER)	1			
52	36800295111	GUARD (HAND)	1			
	36800295111	GUARD (HAND)	1			
53	36801995081	GRIP	1			
	36801995081	GRIP	1			
100	36801992001	SWITCH BOX (FUTABA)	1			
	36801992001	SWITCH BOX (FUTABA)	1			

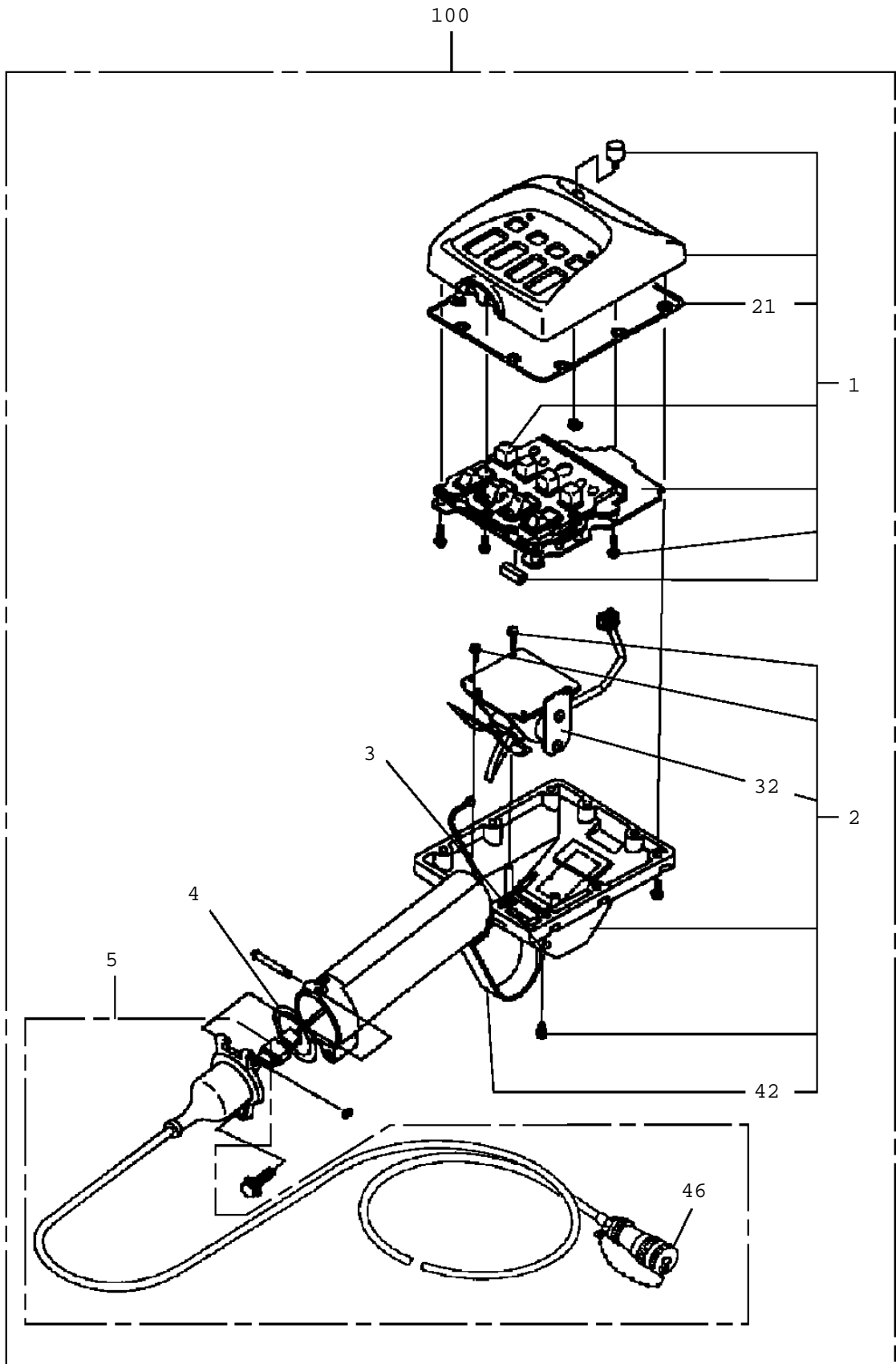
TM-ZF360 41102210360A FRAME/STD,REMOTE-RADIO CONT.,HOOK-IN
PV1030089-00 SWITCH BOX



TM-ZF360 41102210360A FRAME/STD,REMOTE-RADIO CONT.,HOOK-IN

Pos No.	Parts No	Parts Name	Qty	Unit	Technical Data	Serial No (Start)	S
1	36800565051	CASE KIT (UPPER)	1				
2	36800565071	CASE KIT (LOWER)	1				
3	36800555081	PLATE,NAME (SEAL)	1				
4	36800095042	BELT ASSY	1				
5	36800565101	COVER (BATTERY)	1				
6	36800095031	CASE (BATTERY)	1				
21	36800095061	RING (CASE)	1				
22	36800565061	ANTENNA (FLEXIBLE)	1				
23	36800565151	PLATE,NAME	1				
24	36801995061	RUBBER ASSY	1				
32	36800565081	CASE ASSY (LEVER)	1				
42	36800295111	GUARD (HAND)	1				
43	36801995081	GRIP	1				
100	36800562001	SWITCH BOX	1				

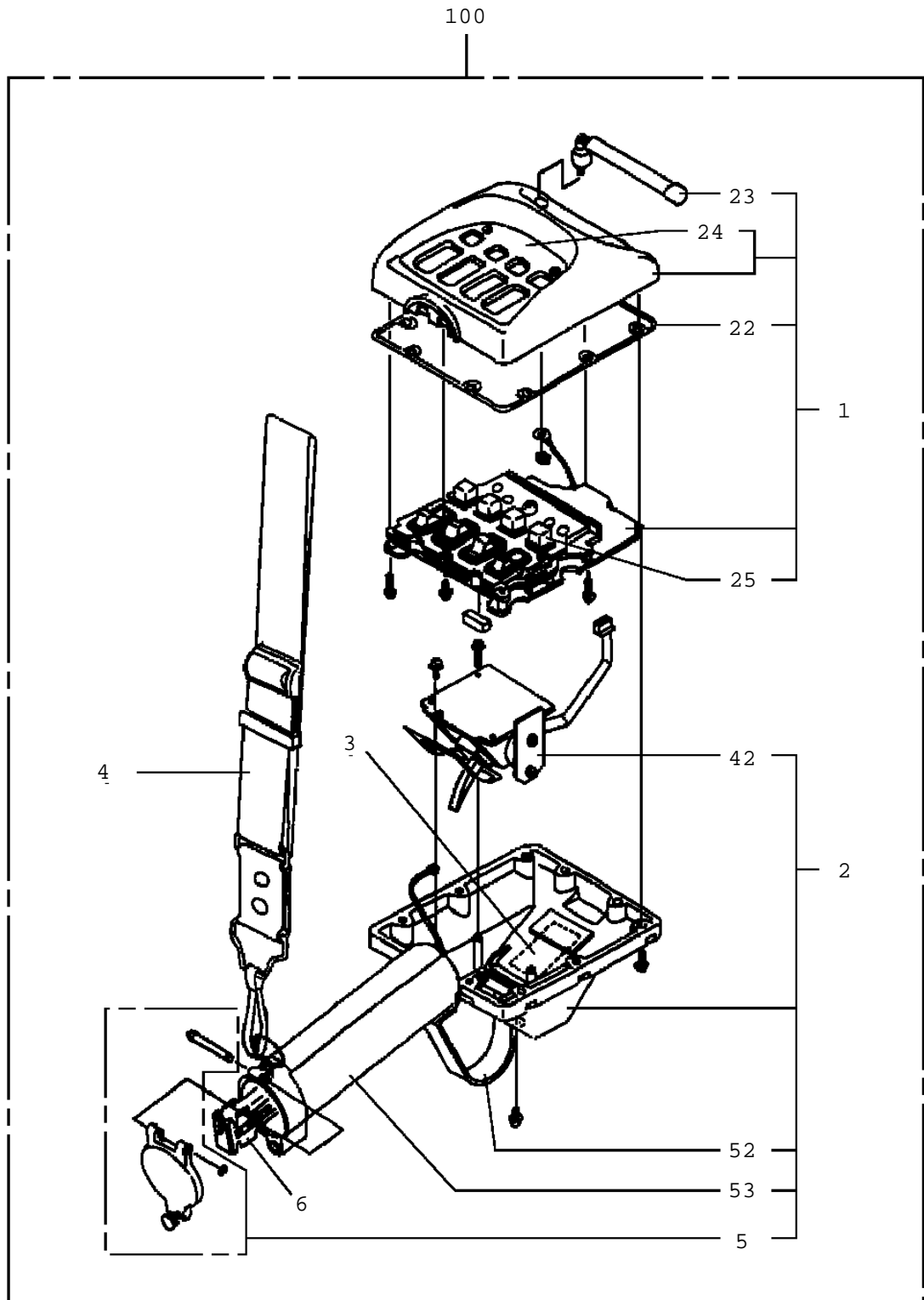
TM-ZF360 41102210360A FRAME/STD,REMOTE-RADIO CONT.,HOOK-IN
PV1030090-00 SWITCH BOX



TM-ZF360 41102210360A FRAME/STD,REMOTE-RADIO CONT.,HOOK-IN

Pos No.	Parts No	Parts Name	Qty	Unit	Technical Data	Serial No (S
1	36800585011	CASE KIT (UPPER)	1			
2	36800585021	CASE KIT (LOWER)	1			
4	36800585031	PACKING	1			
5	36800585041	CABLE ASSY	1		10M	
21	36800095061	RING (CASE)	1			
32	36800565081	CASE ASSY (LEVER)	1			
42	36800295111	GUARD (HAND)	1			
46	36800585071	CAP (CONNECTOR,WITH CHAIN)	1			
100	36800582001	SWITCH BOX	1			

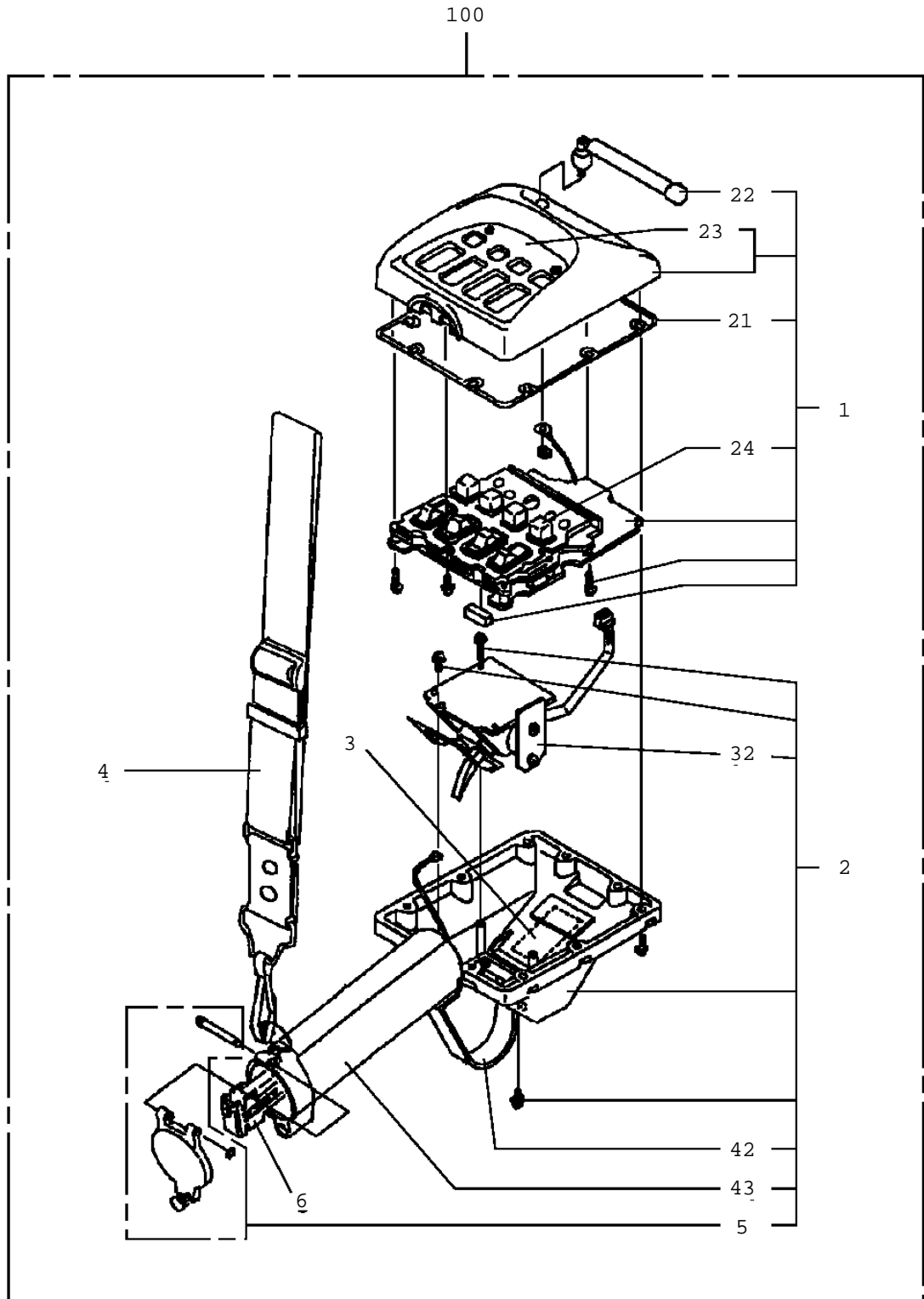
TM-ZF360 41102210360A FRAME/STD,REMOTE-RADIO CONT.,HOOK-IN
PV1030091-00 SWITCH BOX



TM-ZF360 41102210360A FRAME/STD,REMOTE-RADIO CONT.,HOOK-IN

Pos No.	Parts No	Parts Name	Qty	Unit	Technical Data	Serial No (Start)	S
1	36802015011	CASE KIT (UPPER)	1				
2	36800565071	CASE KIT (LOWER)	1				
3	36800555081	PLATE,NAME (SEAL)	1				
4	36800095042	BELT ASSY	1				
5	36800565101	COVER (BATTERY)	1				
6	36800095031	CASE (BATTERY)	1				
22	36800095061	RING (CASE)	1				
23	36801995041	ANTENNA (FLEXIBLE)	1				
24	36800565151	PLATE,NAME	1				
25	36800565131	RUBBER (BOTTUN)	1				
42	36800565081	CASE ASSY (LEVER)	1				
52	36800295111	GUARD (HAND)	1				
53	36801995081	GRIP	1				
100	36802012001	SWITCH BOX	1				

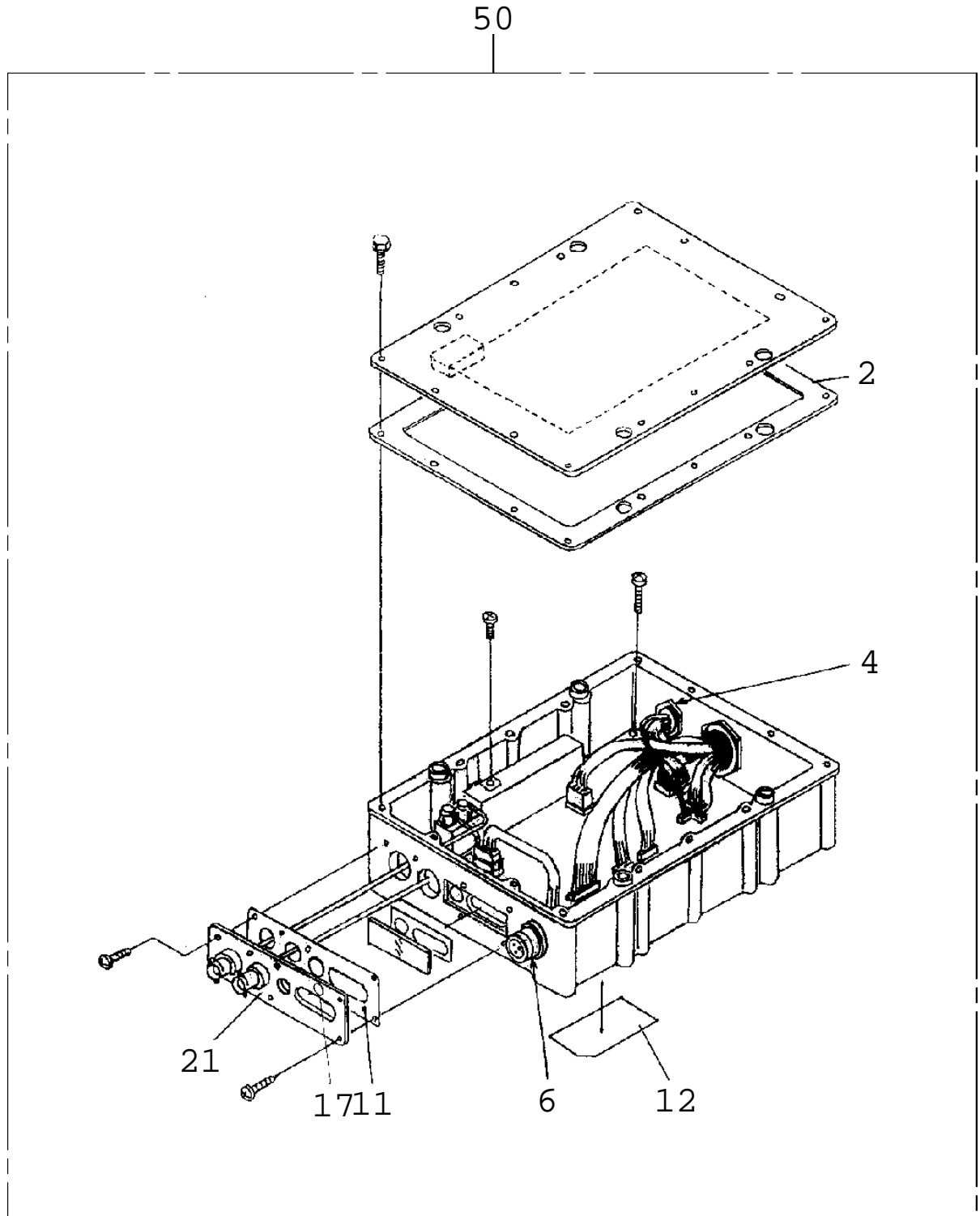
TM-ZF360 41102210360A FRAME/STD,REMOTE-RADIO CONT.,HOOK-IN
PV1030092-00 SWITCH BOX



TM-ZF360 41102210360A FRAME/STD,REMOTE-RADIO CONT.,HOOK-IN

Pos No.	Parts No	Parts Name	Qty	Unit	Technical Data	Serial No (Start)	S
1	36800555051	CASE KIT (UPPER)	1				
2	36800565071	CASE KIT (LOWER)	1				
3	36800555081	PLATE,NAME (SEAL)	1				
4	36800095042	BELT ASSY	1				
5	36800565101	COVER (BATTERY)	1				
6	36800095031	CASE (BATTERY)	1				
21	36800095061	RING (CASE)	1				
22	36800565061	ANTENNA (FLEXIBLE)	1				
23	36800565151	PLATE,NAME	1				
24	36801995061	RUBBER ASSY	1				
32	36800565081	CASE ASSY (LEVER)	1				
42	36800295111	GUARD (HAND)	1				
43	36801995081	GRIP	1				
100	36800552001	SWITCH BOX	1				

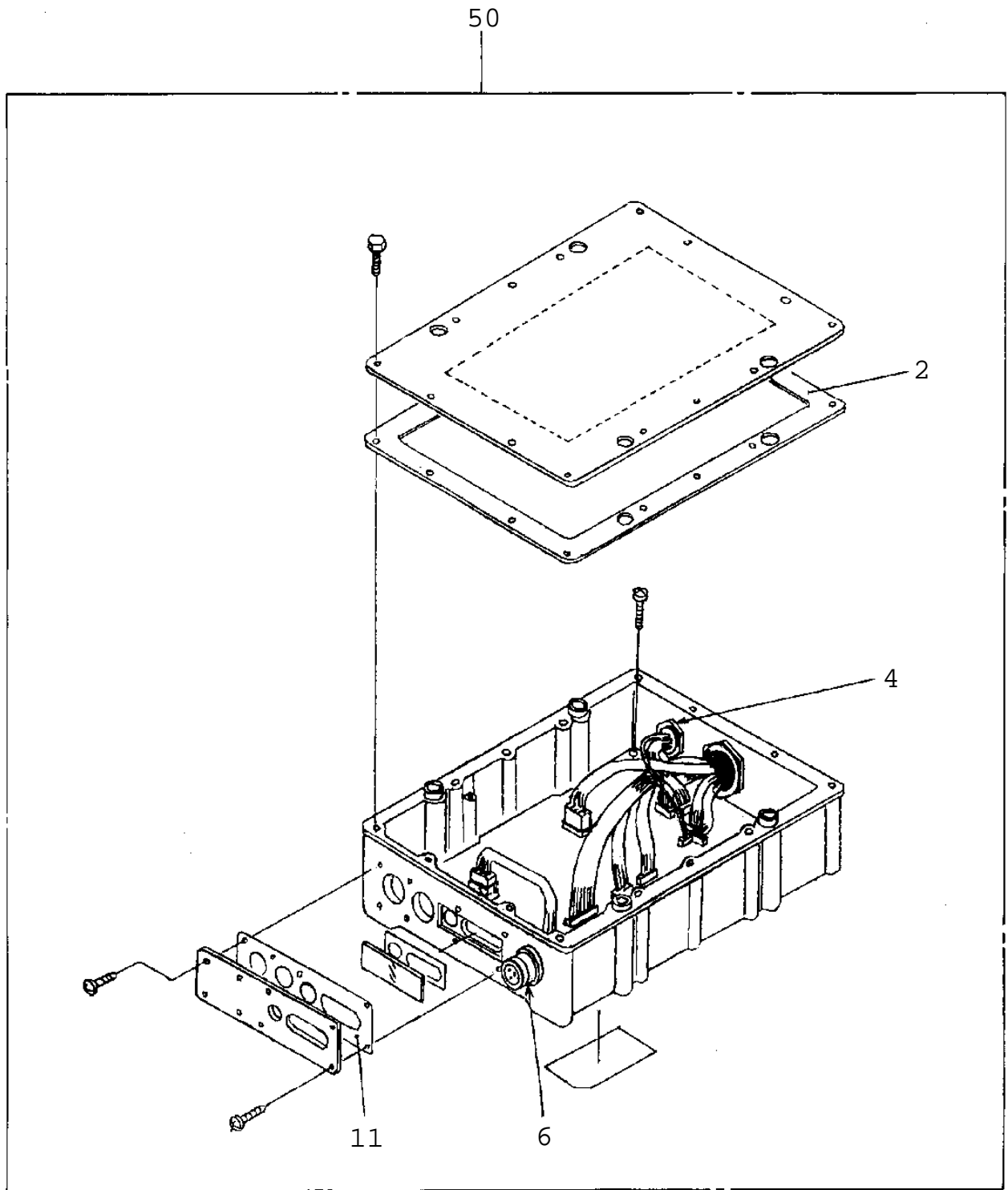
TM-ZF360 41102210360A FRAME/STD,REMOTE-RADIO CONT.,HOOK-IN
PV1040013-02 CONTROL BOX (RADIO CONTROL.M2.B)



TM-ZF360 41102210360A FRAME/STD,REMOTE-RADIO CONT.,HOOK-IN

Pos No.	Parts No	Parts Name	Qty	Unit	Technical Data	Serial
2	36800085010	GASKET	1			
4	36800565010	CONNECTOR ASSY (SPEAKER)	1			
6	36800565020	CONNECTOR ASSY	1			
11	36800565030	SPACER (RUBBER A)	1			
12	36800555080	LABEL (SEAL)	1			
17	36800565180	LABEL (SEAL)	1			EE6577
21	36800565040	PANEL ASSY (TIRMINAL)	1			
50	36800561000	CONTROL BOX (RADIO CONTROL.M2.B)	1			

TM-ZF360 41102210360A FRAME/STD,REMOTE-RADIO CONT.,HOOK-IN
PV1040014-00 CONTROL BOX (REMOTE CONTROL.M2)

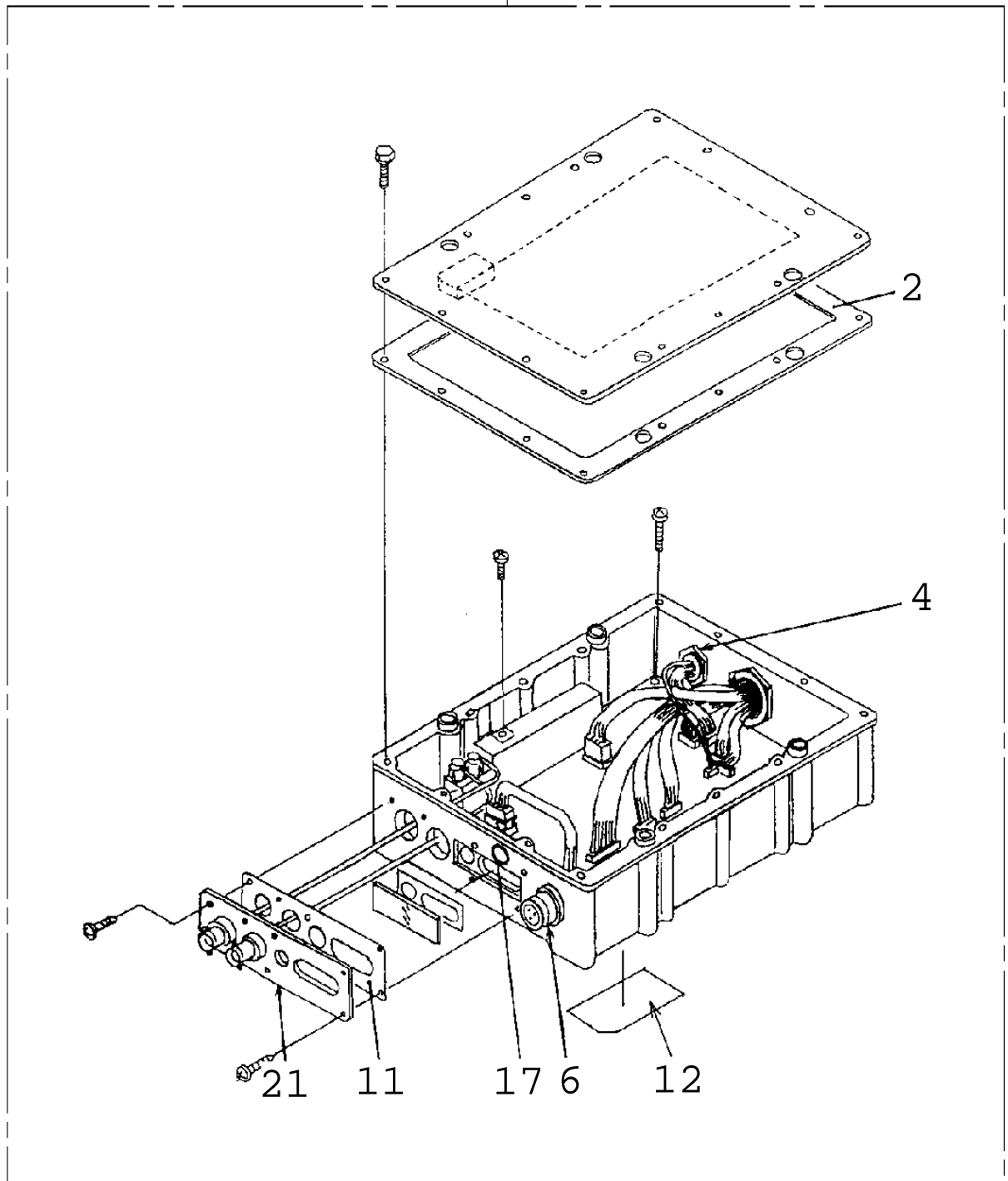


TM-ZF360 41102210360A FRAME/STD,REMOTE-RADIO CONT.,HOOK-IN

Pos No.	Parts No	Parts Name	Qty	Unit	Technical Data	Serial
2	36800085010	GASKET	1			
4	36800565010	CONNECTOR ASSY (SPEAKER)	1			
6	36800565020	CONNECTOR ASSY	1			
11	36800565030	SPACER (RUBBER A)	1			
50	36800581000	CONTROL BOX (REMOTE CONTROL.M2)	1			

TM-ZF360 41102210360A FRAME/STD,REMOTE-RADIO CONT.,HOOK-IN
PV1040018-02 CONTROL BOX (RADIO CONTROL.M2.A)

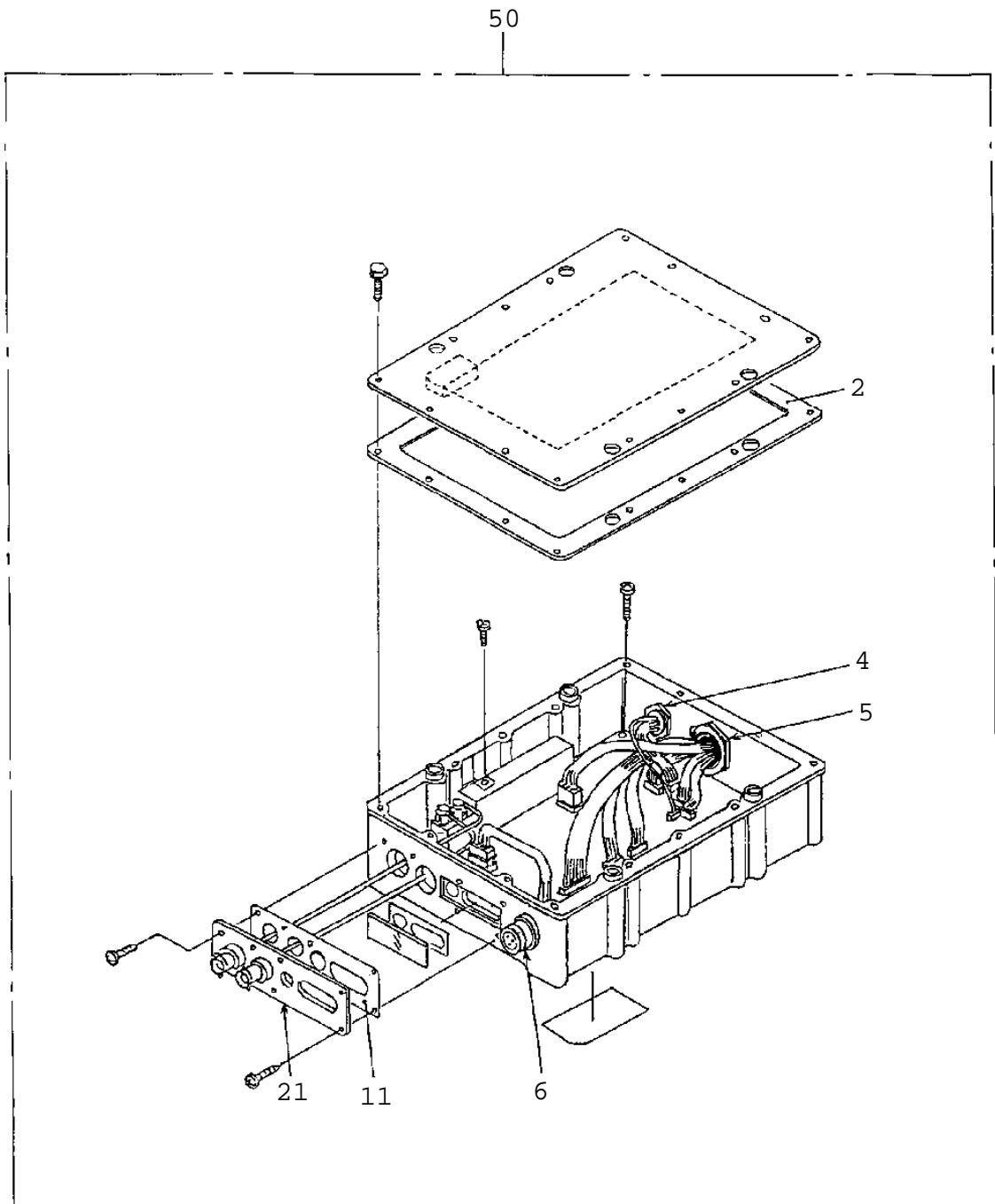
50



TM-ZF360 41102210360A FRAME/STD,REMOTE-RADIO CONT.,HOOK-IN

Pos No.	Parts No	Parts Name	Qty	Unit	Technical Data	Serial
2	36800085010	GASKET	1			
4	36800565010	CONNECTOR ASSY (SPEAKER)	1			
6	36800565020	CONNECTOR ASSY	1			
11	36800565030	SPACER (RUBBER A)	1			
12	36800555080	LABEL (SEAL)	1			
17	36800555070	LABEL (SEAL)	1			EE6577
21	36800565040	PANEL ASSY (TIRMINAL)	1			
50	36800551000	CONTROL BOX (RADIO CONTROL.M2.A)	1			

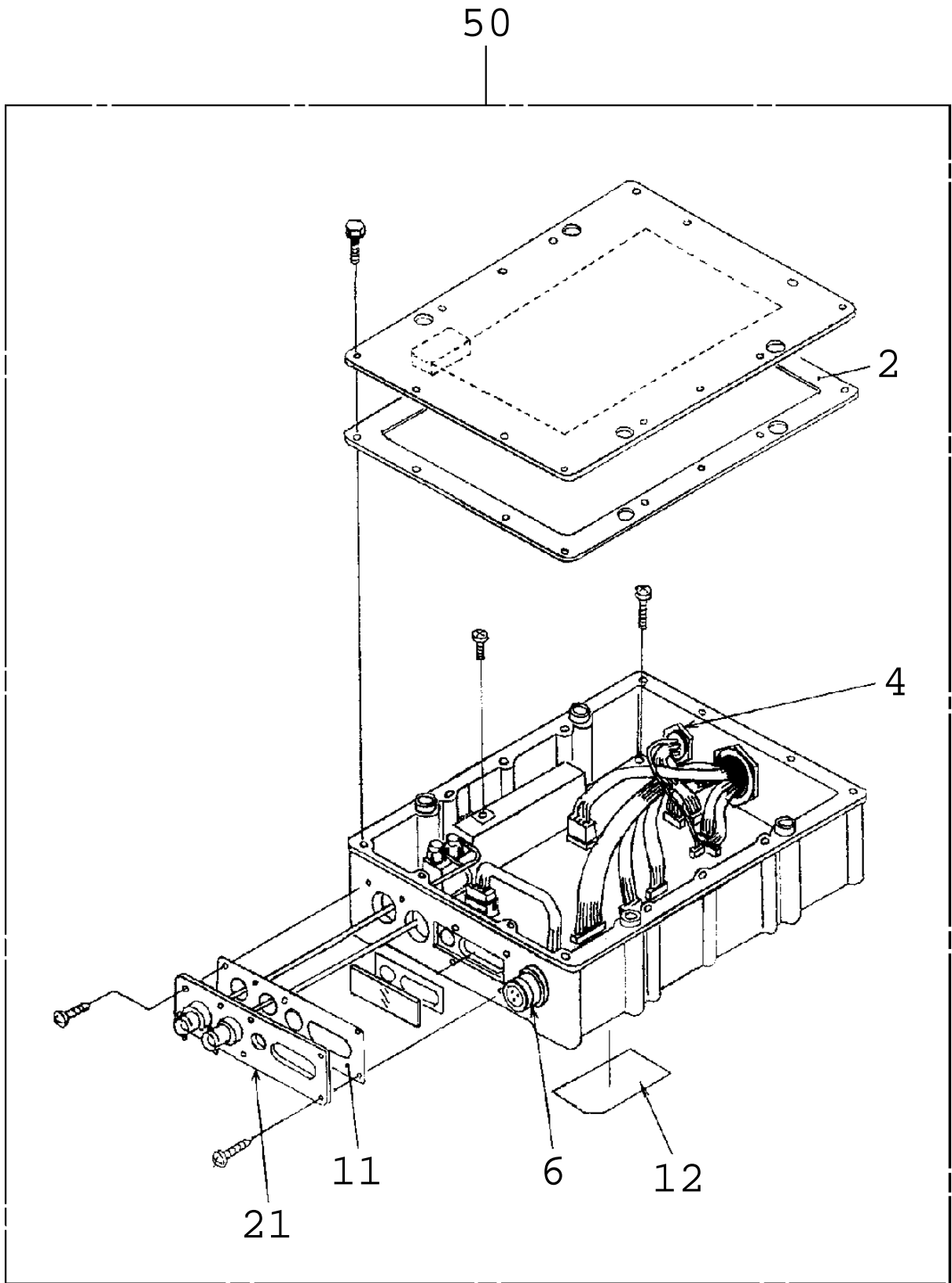
TM-ZF360 41102210360A FRAME/STD,REMOTE-RADIO CONT.,HOOK-IN
PV1040035-00 CONTROL BOX (RADIO CONTROL C-TYPE)



TM-ZF360 41102210360A FRAME/STD,REMOTE-RADIO CONT.,HOOK-IN

Pos No.	Parts No	Parts Name	Qty	Unit	Technical Data	Seri
2	36800085010	GASKET	1			
4	36800565010	CONNECTOR ASSY (SPEAKER)	1			
5	36800565140	CONNECTOR ASSY	1			
6	36800565020	CONNECTOR ASSY	1			
11	36800565030	SPACER (RUBBER A)	1			
21	36800565040	PANEL ASSY (TIRMINAL)	1			
50	36801451000	CONTROL BOX (RADIO CONTROL C-TYPE)	1			

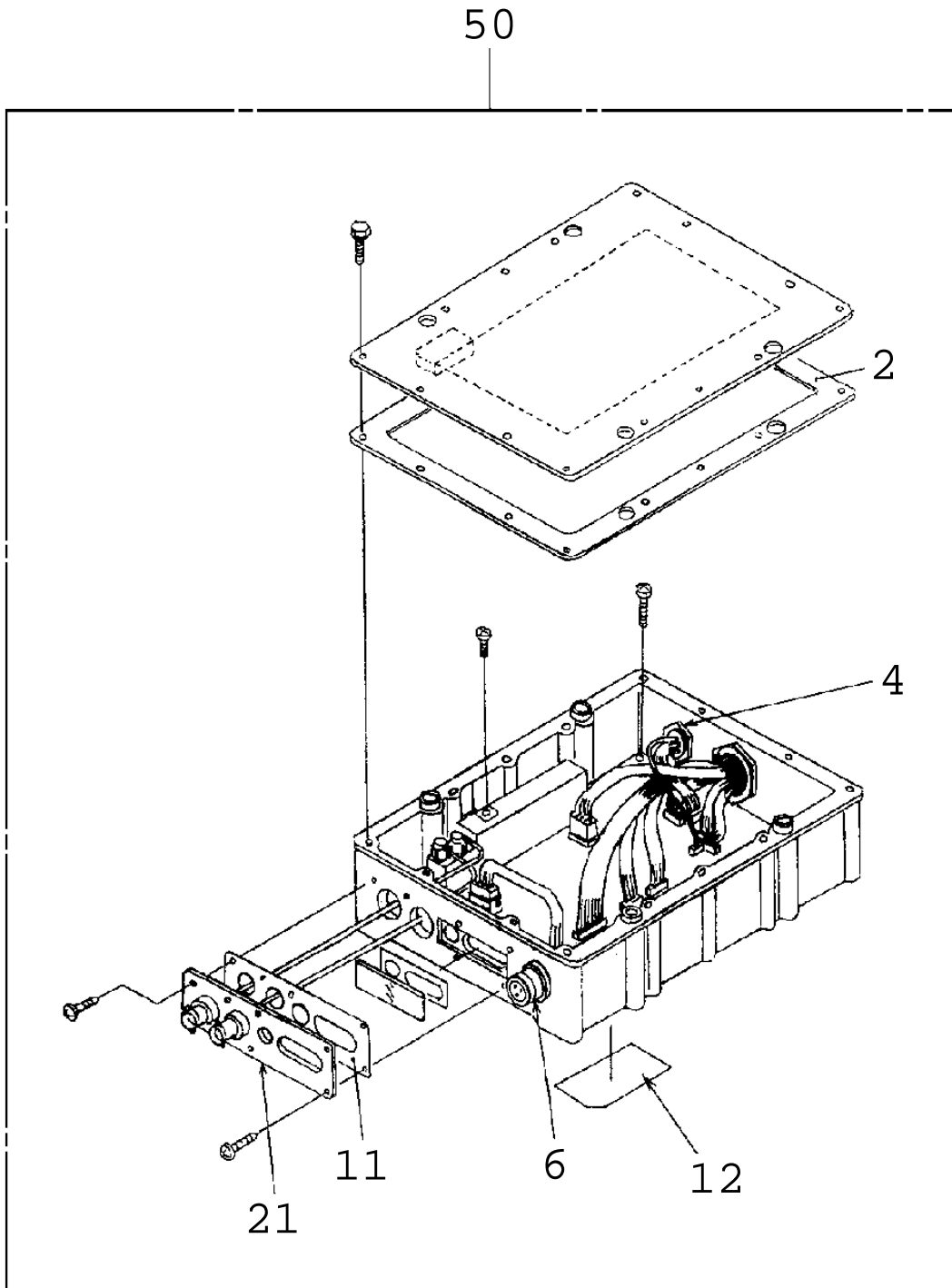
TM-ZF360 41102210360A FRAME/STD,REMOTE-RADIO CONT.,HOOK-IN
PV1040036-01 CONTROL BOX (RADIO CONTROL,D)



TM-ZF360 41102210360A FRAME/STD,REMOTE-RADIO CONT.,HOOK-IN

Pos No.	Parts No	Parts Name	Qty	Unit	Technical Data	Serial No
2	36800085010	GASKET	1			
4	36800565010	CONNECTOR ASSY (SPEAKER)	1			
6	36800565020	CONNECTOR ASSY	1			
11	36800565030	SPACER (RUBBER A)	1			
12	36800555080	LABEL (SEAL)	1			
21	36801995010	PANEL ASSY	1			
50	36801991000	CONTROL BOX (RADIO CONTROL,D)	1			

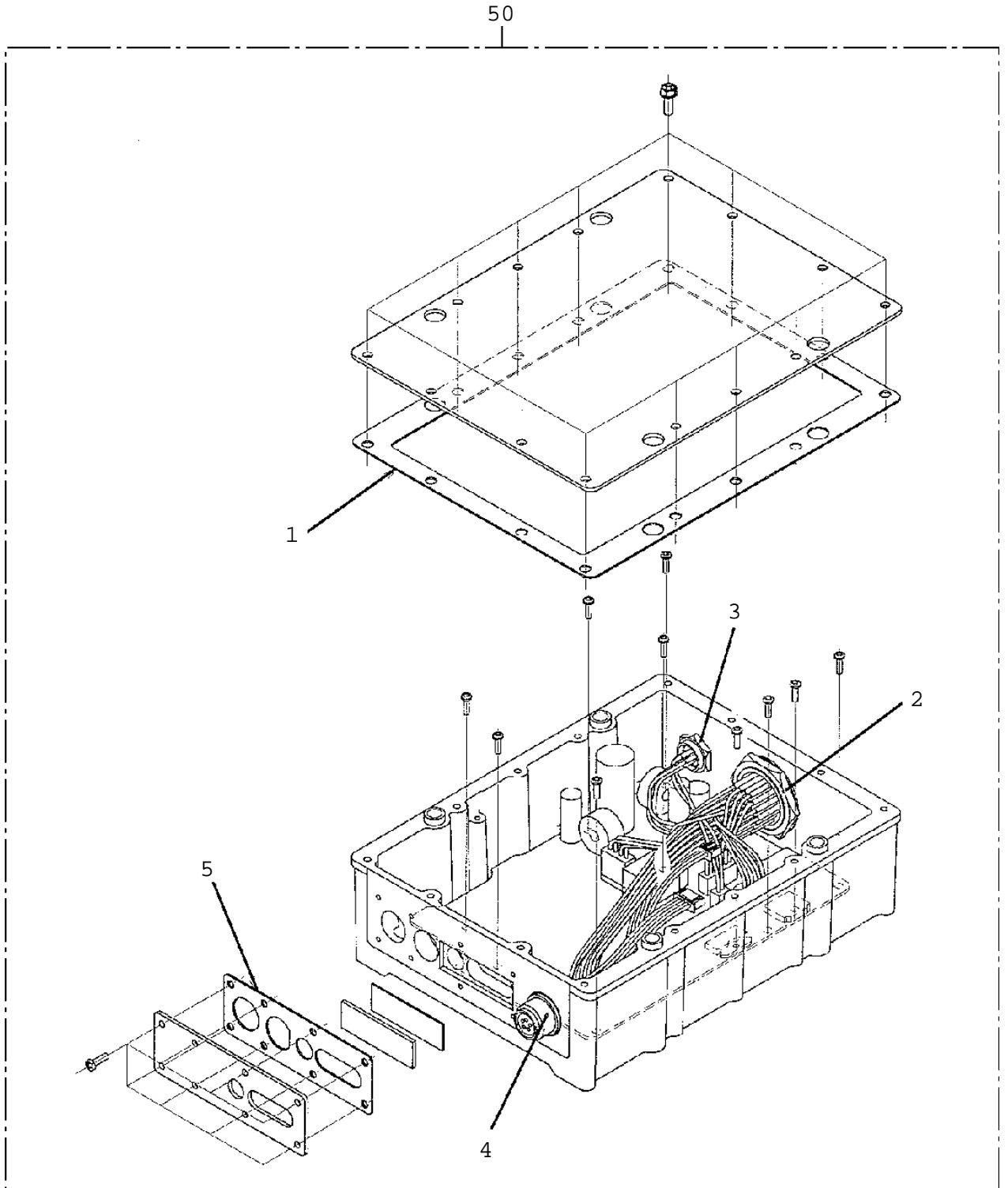
TM-ZF360 41102210360A FRAME/STD,REMOTE-RADIO CONT.,HOOK-IN
PV1040038-02 CONTROL BOX (RADIO CONTROL,TYPE-E)



TM-ZF360 41102210360A FRAME/STD,REMOTE-RADIO CONT.,HOOK-IN

Pos No.	Parts No	Parts Name	Qty	Unit	Technical Data	Seri
2	36800085010	GASKET	1			
4	36800565010	CONNECTOR ASSY (SPEAKER)	1			
6	36800565020	CONNECTOR ASSY	1			
11	36800565030	SPACER (RUBBER A)	1			
12	36800555080	LABEL (SEAL)	1			
21	36800565040	PANEL ASSY (TIRMINAL)	1			
50	36802011000	CONTROL BOX (RADIO CONTROL,TYPE-E)	1			

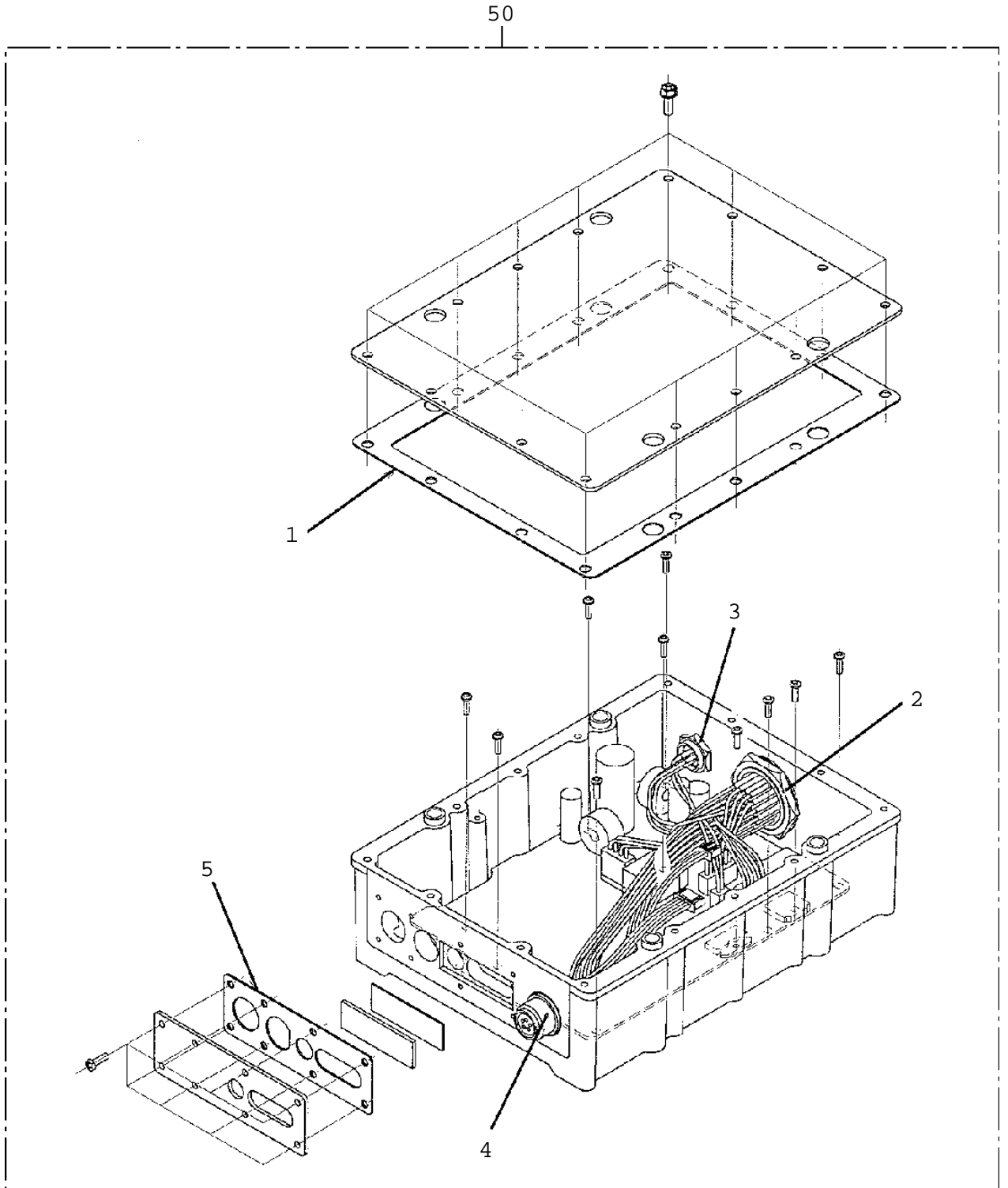
TM-ZF360 41102210360A FRAME/STD,REMOTE-RADIO CONT.,HOOK-IN
PV1040050-00 CONTROL BOX



TM-ZF360 41102210360A FRAME/STD,REMOTE-RADIO CONT.,HOOK-IN

Pos No.	Parts No	Parts Name	Qty	Unit	Technical Data	Serial No (Start)	Se
1	36800085010	GASKET	1				
2	36800565140	CONNECTOR ASSY	1				
3	36802435160	CONNECTOR	1				
4	36802435170	CONNECTOR	1				
5	36800565030	SPACER (RUBBER A)	1				
50	36802431000	CONTROL BOX	1				

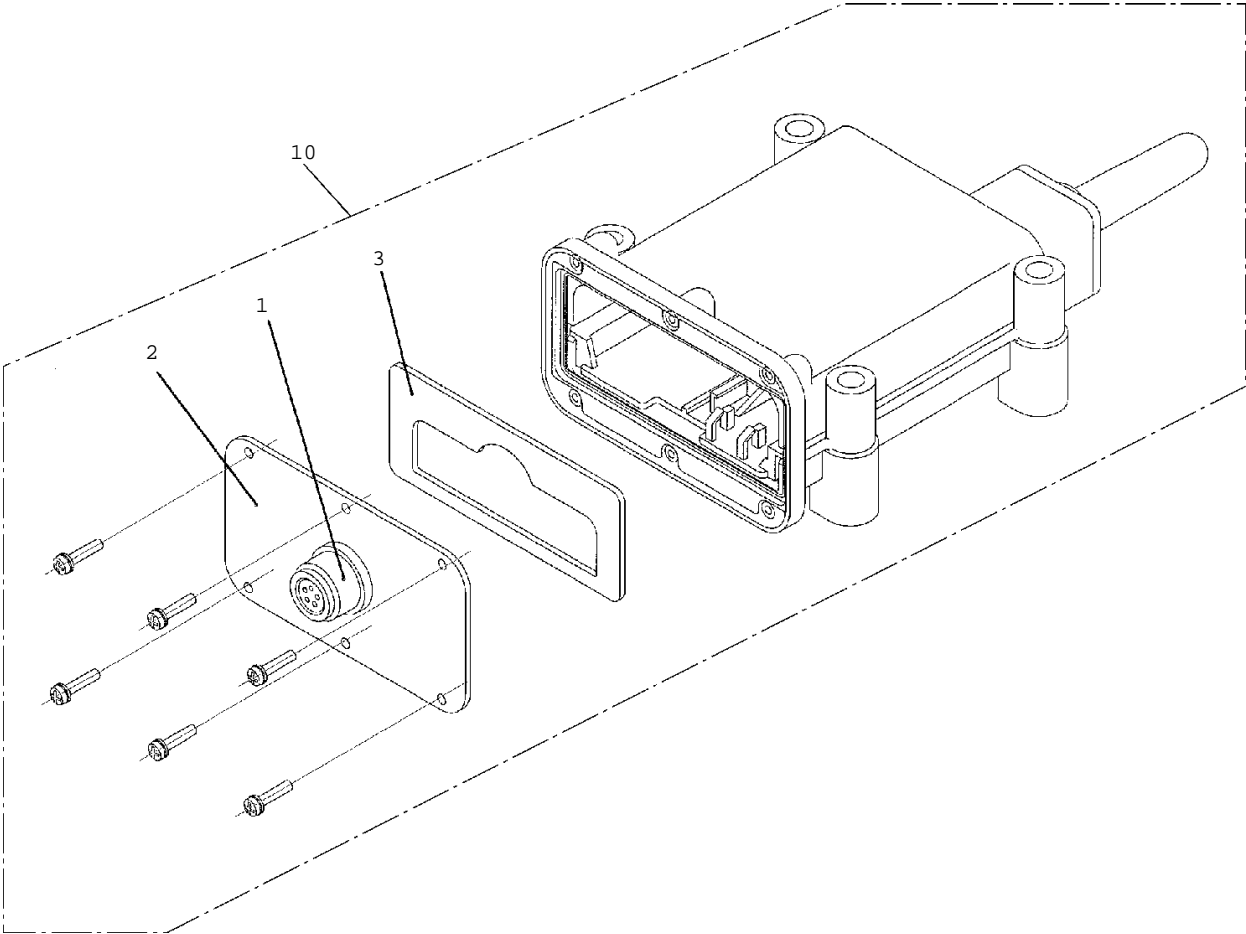
TM-ZF360 41102210360A FRAME/STD,REMOTE-RADIO CONT.,HOOK-IN
PV1040050-00 CONTROL BOX



TM-ZF360 41102210360A FRAME/STD,REMOTE-RADIO CONT.,HOOK-IN

Pos No.	Parts No	Parts Name	Qty	Unit	Technical Data	Serial No (Start)	Se
1	36800085010	GASKET	1				
2	36800565140	CONNECTOR ASSY	1				
3	36802435160	CONNECTOR	1				
4	36802435170	CONNECTOR	1				
5	36800565030	SPACER (RUBBER A)	1				
50	36802435020	CONTROL BOX	1				

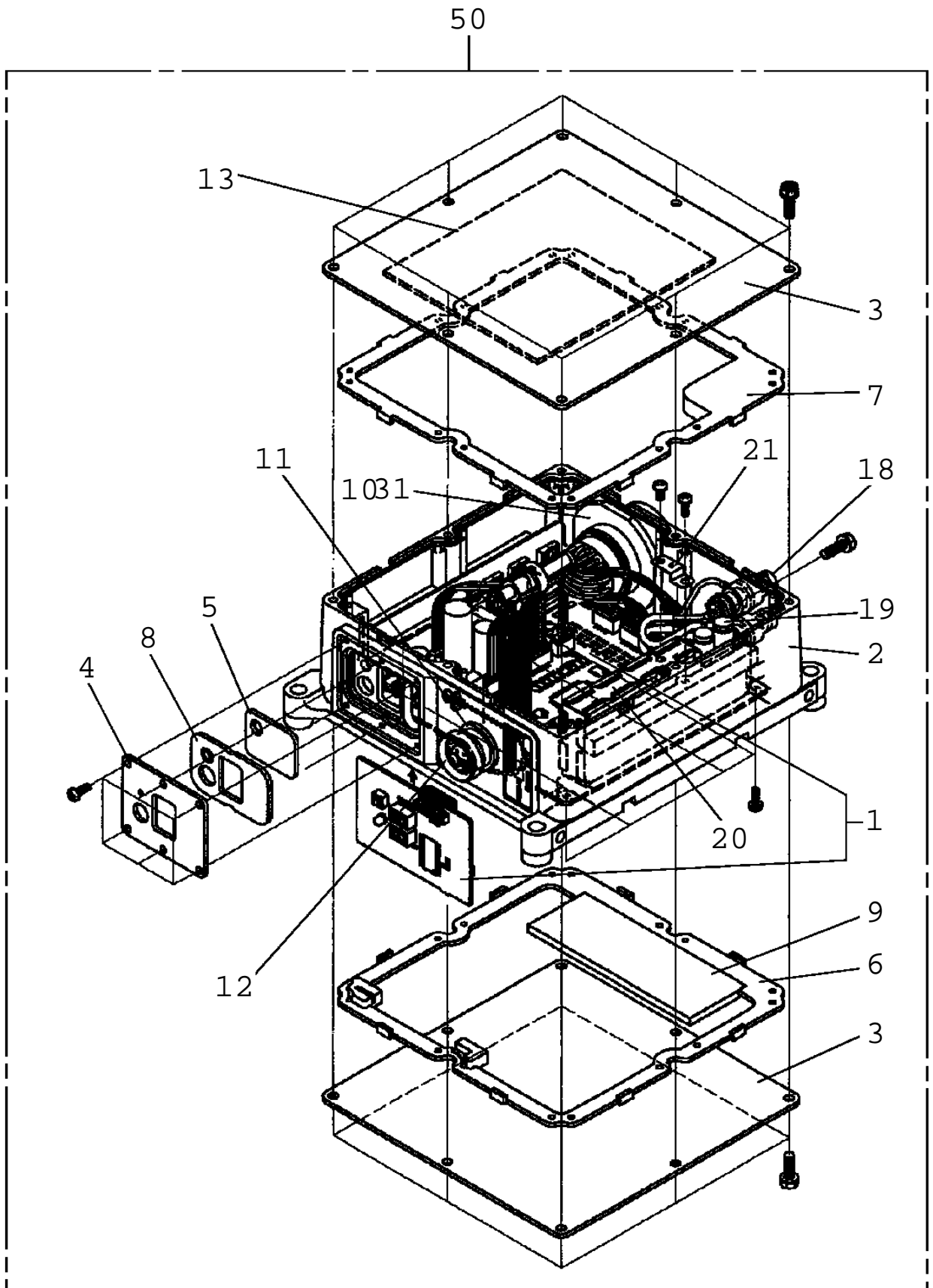
TM-ZF360 41102210360A FRAME/STD,REMOTE-RADIO CONT.,HOOK-IN
PV1040051-00 CONTROL UNIT (ANTENNA)



TM-ZF360 41102210360A FRAME/STD,REMOTE-RADIO CONT.,HOOK-IN

Pos No.	Parts No	Parts Name	Qty	Unit	Technical Data	Serial No (Start
1	36802435170	CONNECTOR	1			
2	36802435180	PANEL	1			
3	36802435190	GASKET	1			
10	36802435030	CONTROL UNIT (ANTENNA)	1			

TM-ZF360 41102210360A FRAME/STD,REMOTE-RADIO CONT.,HOOK-IN
PV1040068-01 CONTROL BOX (RADIO CONTROL,D-TYPE)



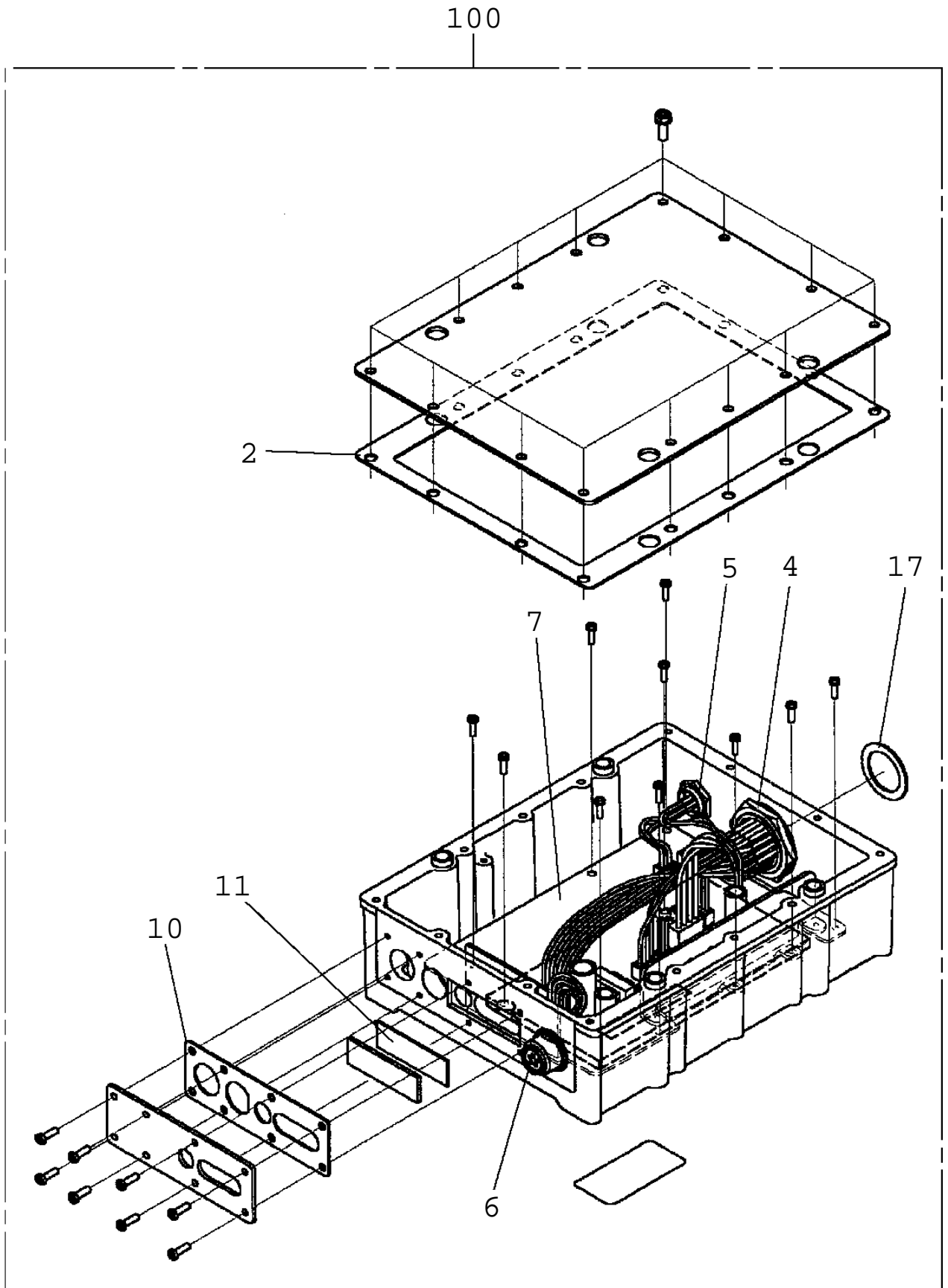
TM-ZF360 41102210360A FRAME/STD,REMOTE-RADIO CONT.,HOOK-IN

Pos No.	Parts No	Parts Name	Qty	Unit	Technical Data	Seri
1	36803415010	BOARD ASSY	1			
2	36802975170	CASING	1			
3	36802975030	COVER	2			
4	36802975040	PANEL	1			
5	36802975050	SCREEN	1			
6	36802975060	GASKET	1			
7	36802975070	GASKET	1			
8	36802975080	GASKET	1			
9	36802975090	PLATE (RADIATOR)	1			
10	36802975100	CONNECTOR ASSY (WITH HARNESS)	1			
11	36802975110	CONNECTOR ASSY (WITH HARNESS)	1			
12	36800175030	CAP	1			
13	36802975120	DRIER,AIR	1			
18	36802975180	CONNECTOR ASSY	2			
19	36802975190	PLUG	2			
20	36802985010	RECEIVER (DATA)	1			
21	36802975160	BRACKET	1			
31	36802975200	FUSE	1			
50	36803571000	CONTROL BOX (RADIO CONTROL,D-TYPE)	1			

TM-ZF360 41102210360A FRAME/STD,REMOTE-RADIO CONT.,HOOK-IN

Pos No.	Parts No	Parts Name	Qty	Unit	Technical Data	Serial N
2	36800085010	GASKET	1			
4	36800565010	CONNECTOR ASSY (SPEAKER)	1			
5	36800565140	CONNECTOR ASSY	1			
6	36800565020	CONNECTOR ASSY	1			
7	36804015010	BOARD ASSY	1			
9	36804015020	PANEL ASSY (TERMINAL)	1			
11	36804015030	SPACER (RUBBER)	1			
12	36800565030	SPACER (RUBBER A)	1			
19	36800175030	CAP	1			
20	36800296100	PACKING (CONNECTOR INNER PART)	1			
100	36804011000	CONTROL BOX	1			

TM-ZF360 41102210360A FRAME/STD,REMOTE-RADIO CONT.,HOOK-IN
PV1040078-00 CONTROL BOX

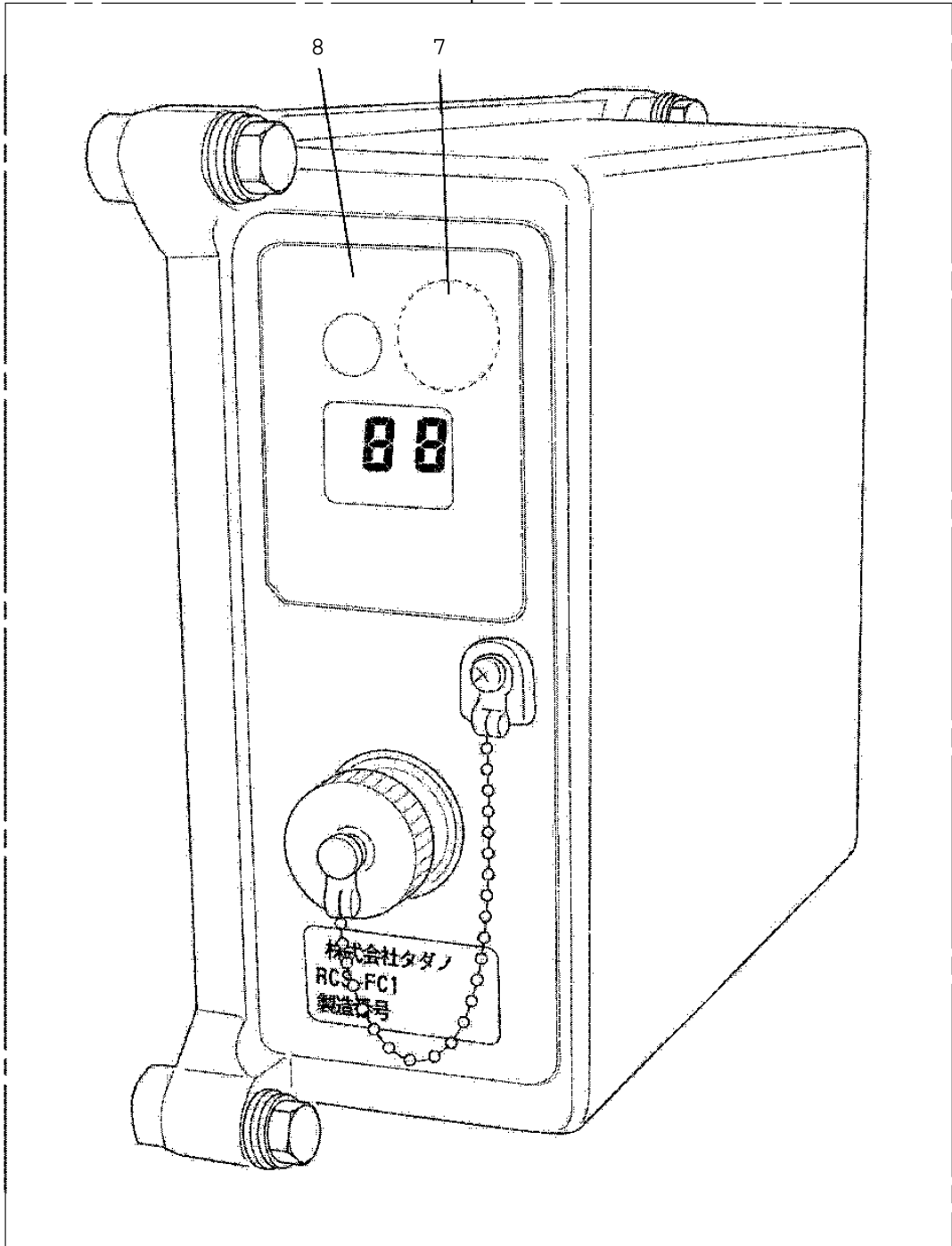


TM-ZF360 41102210360A FRAME/STD,REMOTE-RADIO CONT.,HOOK-IN

Pos No.	Parts No	Parts Name	Qty	Unit	Technical Data	Serial N
2	36800085010	GASKET	1			
4	36800565140	CONNECTOR ASSY	1			
5	36802435160	CONNECTOR	1			
6	36802435170	CONNECTOR	1			
7	36804055010	BOARD ASSY	1			
10	36800565030	SPACER (RUBBER A)	1			
11	36804015030	SPACER (RUBBER)	1			
17	36800296100	PACKING (CONNECTOR INNER PART)	1			
100	36804051000	CONTROL BOX	1			

TM-ZF360 41102210360A FRAME/STD,REMOTE-RADIO CONT.,HOOK-IN
PV1040093-03 CONTROL UNIT

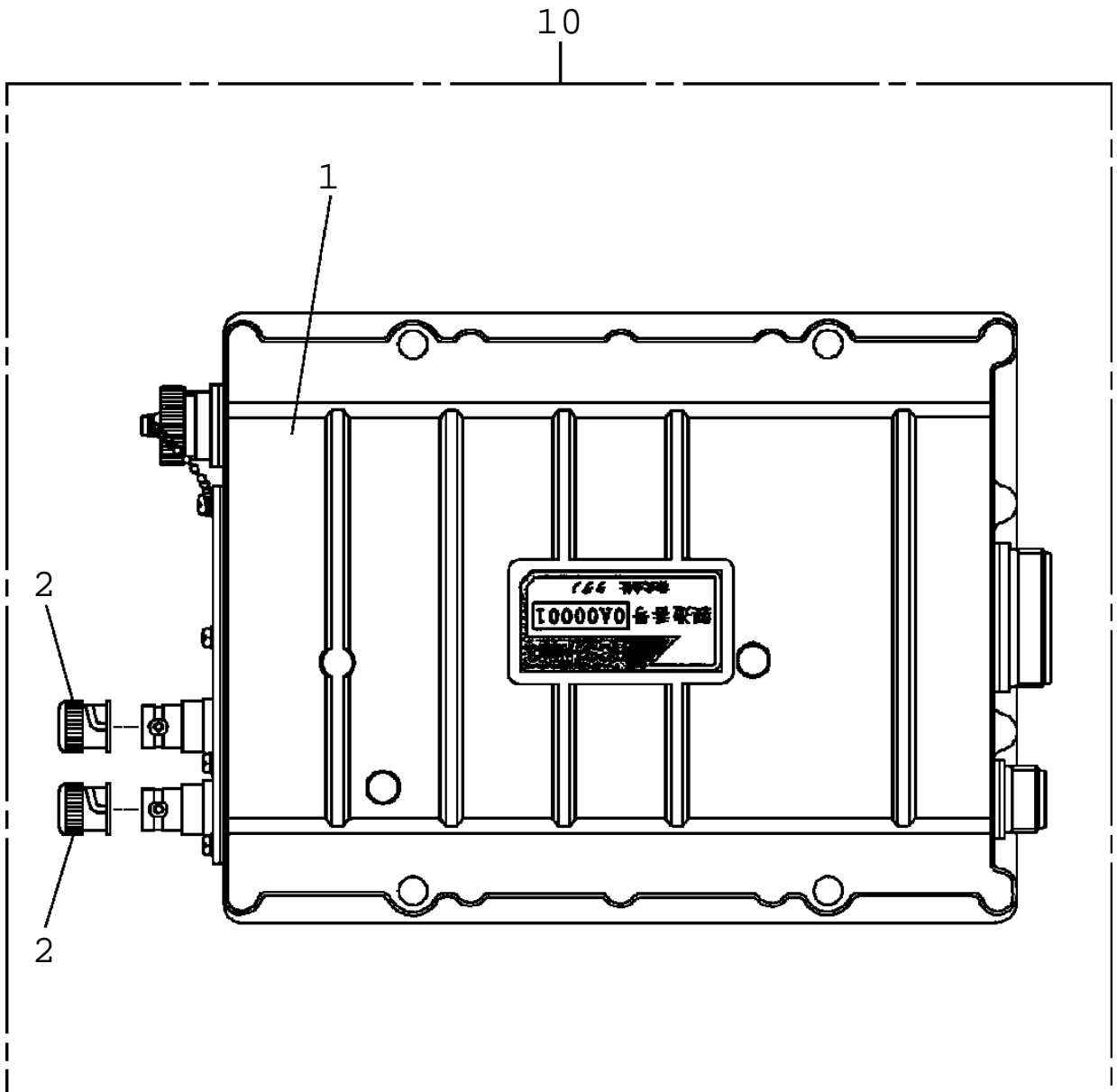
900



TM-ZF360 41102210360A FRAME/STD,REMOTE-RADIO CONT.,HOOK-IN

Pos No.	Parts No	Parts Name	Qty	Unit	Technical Data	Serial No (Start)	Serial :
7	36804917060	STEM	1				
8	36804917070	PANEL	1				
900	36804911000	CONTROL UNIT	1				

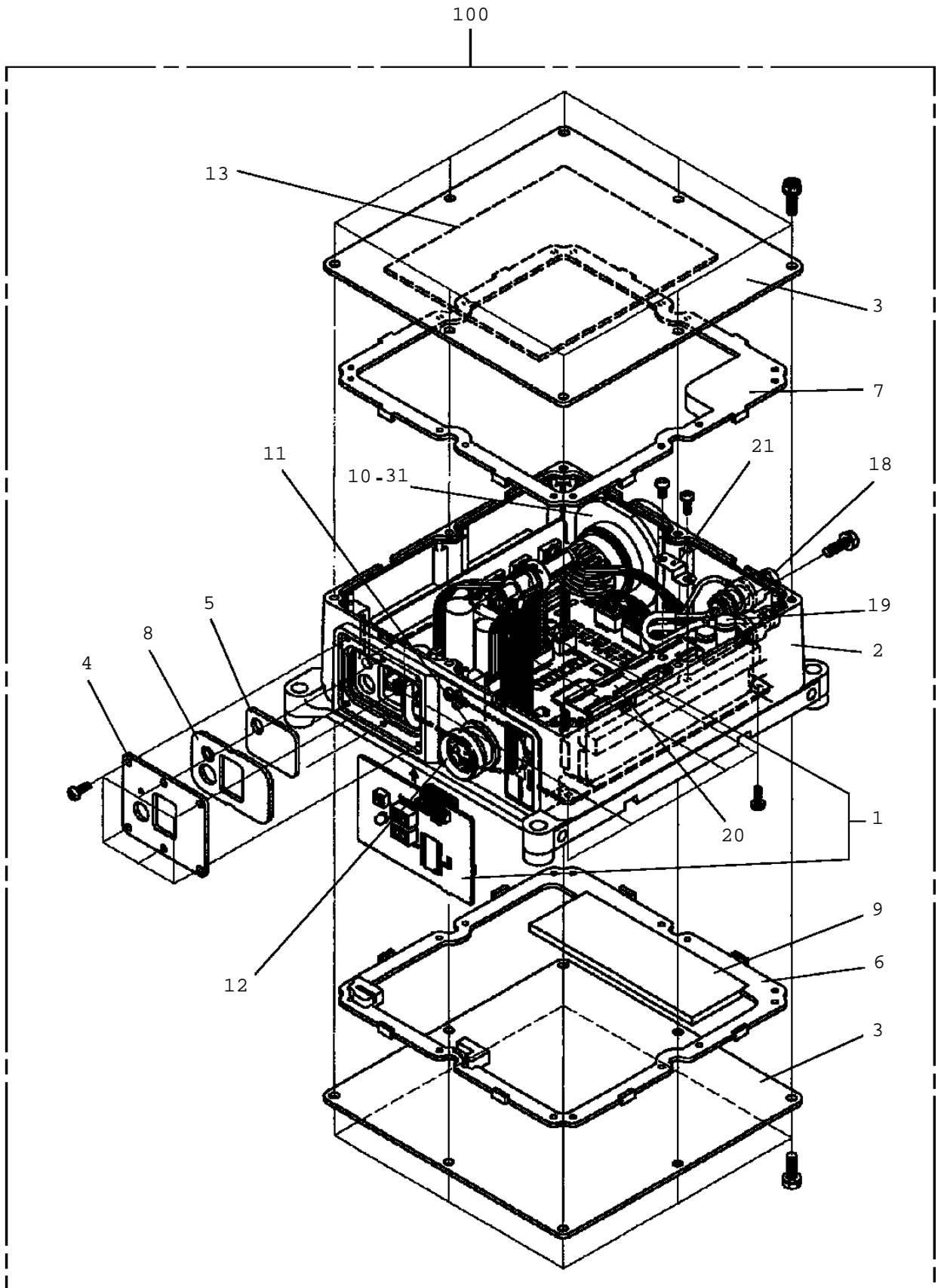
TM-ZF360 41102210360A FRAME/STD,REMOTE-RADIO CONT.,HOOK-IN
PV1040094-00 CONTROL BOX



TM-ZF360 41102210360A FRAME/STD,REMOTE-RADIO CONT.,HOOK-IN

Pos No.	Parts No	Parts Name	Qty	Unit	Technical Data	Serial No (Start)	Serial N
1	36804011000	CONTROL BOX	1				
2	31653450200	CAP	2				
10	36803781000	CONTROL BOX	1				

TM-ZF360 41102210360A FRAME/STD,REMOTE-RADIO CONT.,HOOK-IN
PV1040098-00 CONTROL UNIT



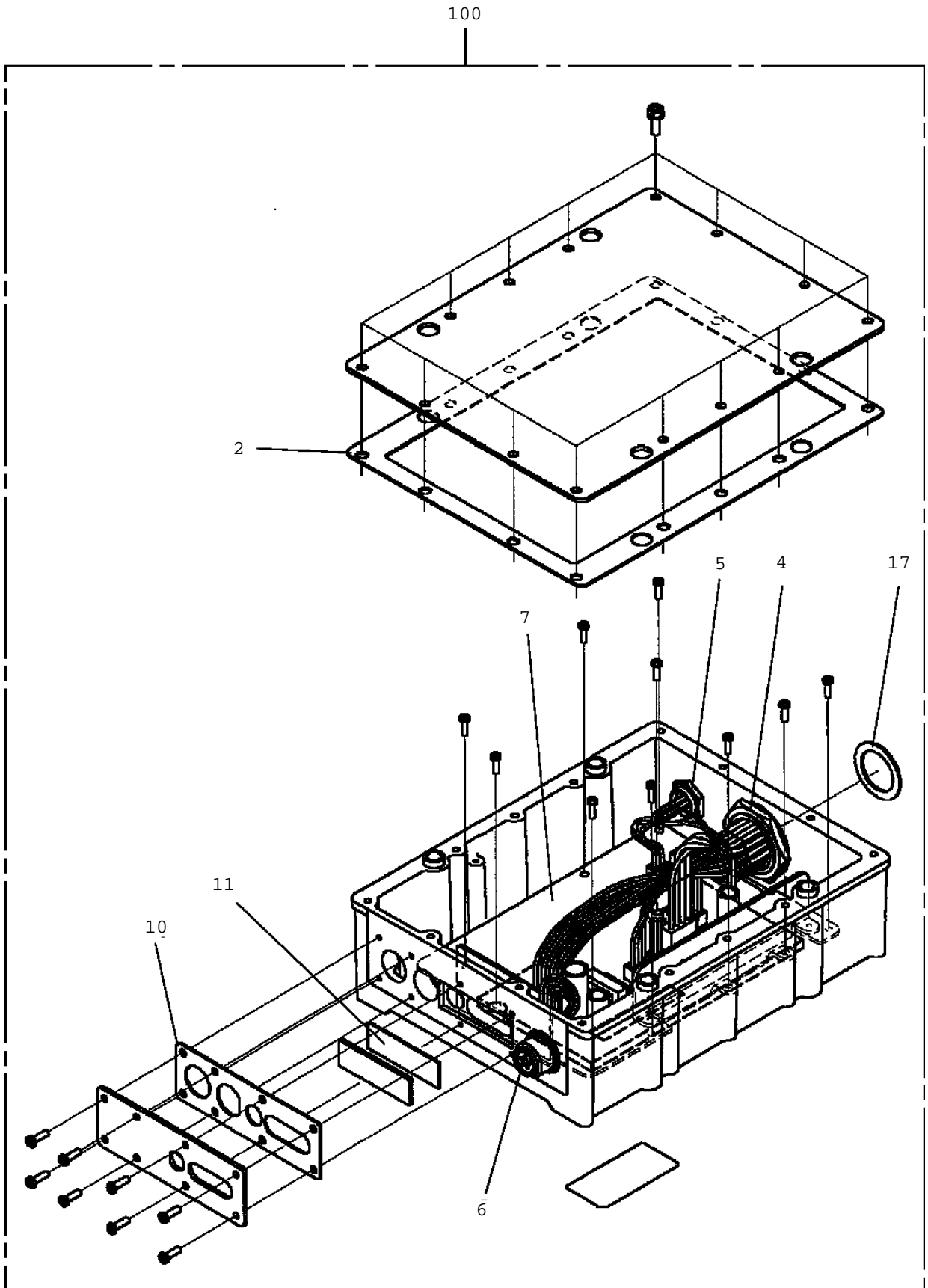
TM-ZF360 41102210360A FRAME/STD,REMOTE-RADIO CONT.,HOOK-IN

Pos No.	Parts No	Parts Name	Qty	Unit	Technical Data	Serial No
1	36803575011	BOARD ASSY	1			
2	36802975171	CASING	1			
3	36802975031	COVER	2			
4	36802975041	PANEL	1			
5	36802975051	SCREEN	1			
6	36802975061	GASKET	1			
7	36802975071	GASKET	1			
8	36802975081	GASKET	1			
9	36802975091	PLATE (RADIATOR)	1			
10	36802975101	CONNECTOR ASSY (WITH HARNESS)	1			
11	36802975111	CONNECTOR ASSY (WITH HARNESS)	1			
12	36800175031	CAP	1			
13	36802975121	DRIER,AIR	1			
18	36802975181	CONNECTOR ASSY	2			
19	36802975191	PLUG	2			
20	36802985011	RECEIVER (DATA)	1			
21	36802975161	BRACKET	1			
31	36802975201	FUSE	1			
100	36803572001	CONTROL UNIT	1			

TM-ZF360 41102210360A FRAME/STD,REMOTE-RADIO CONT.,HOOK-IN

Pos No.	Parts No	Parts Name	Qty	Unit	Technical Data	Serial N
2	36800085011	GASKET	1			
4	36800565011	CONNECTOR ASSY (SPEAKER)	1			
5	36800565141	CONNECTOR ASSY (WITH HARNESS)	1			
6	36800565021	CONNECTOR ASSY (WITH HARNESS)	1			
7	36804045011	BOARD ASSY	1			
9	36804015021	PANEL ASSY (TERMINAL)	1			
11	36804015031	SPACER (RUBBER)	1			
12	36800565031	SPACER (RUBBER A)	1			
19	36800175031	CAP	1			
20	36800296101	PACKING (CONNECTOR INNER PART)	1			
100	36804041001	CONTROL UNIT	1			

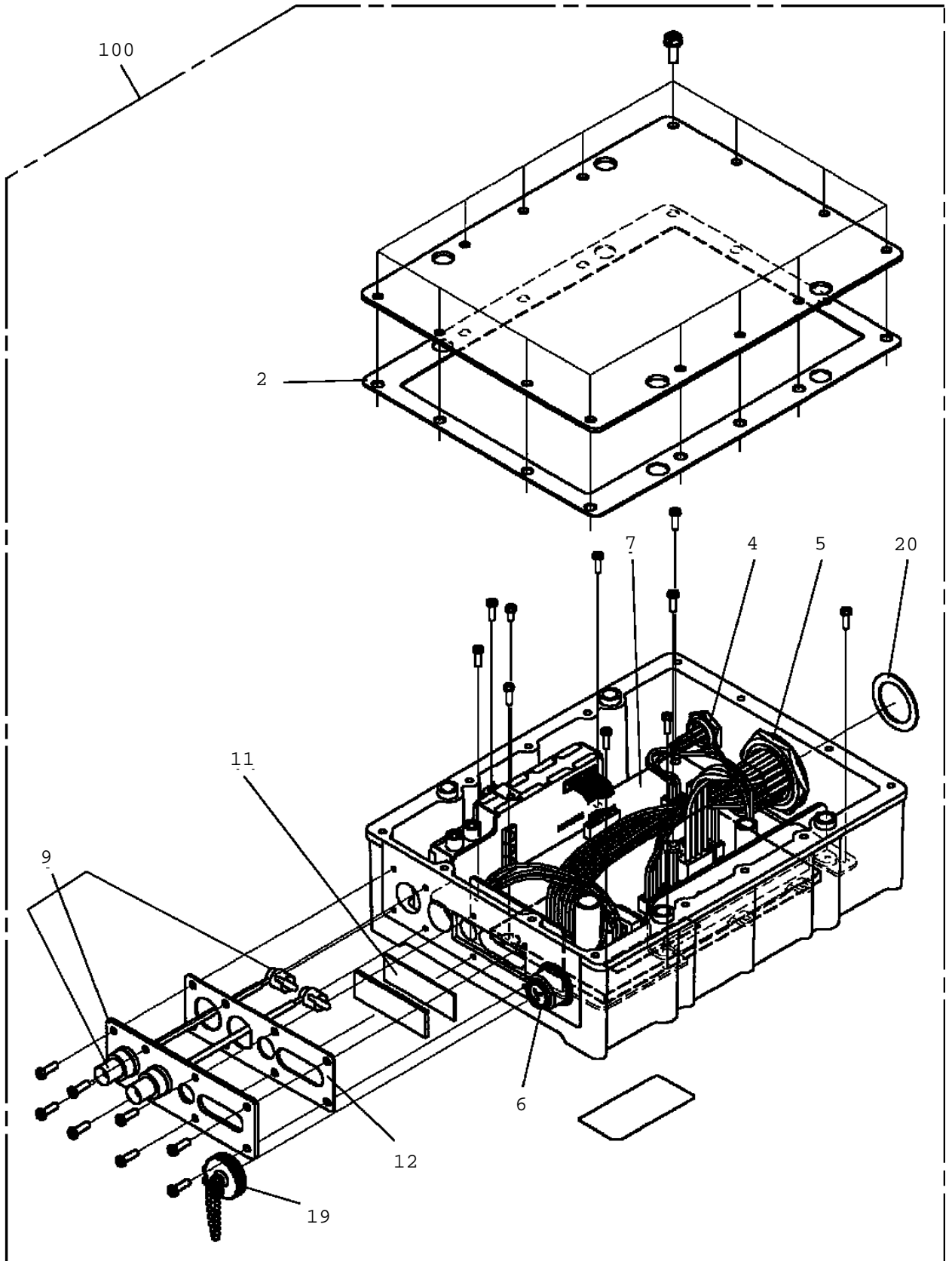
TM-ZF360 41102210360A FRAME/STD,REMOTE-RADIO CONT.,HOOK-IN
PV1040104-00 CONTROL UNIT



TM-ZF360 41102210360A FRAME/STD,REMOTE-RADIO CONT.,HOOK-IN

Pos No.	Parts No	Parts Name	Qty	Unit	Technical Data	Serial N
2	36800085011	GASKET	1			
4	36800565141	CONNECTOR ASSY (WITH HARNESS)	1			
5	36802435161	CONNECTOR	1			
6	36802435171	CONNECTOR	1			
7	36804055011	BOARD ASSY	1			
10	36800565031	SPACER (RUBBER A)	1			
11	36804015031	SPACER (RUBBER)	1			
17	36800296101	PACKING (CONNECTOR INNER PART)	1			
100	36804051001	CONTROL UNIT	1			

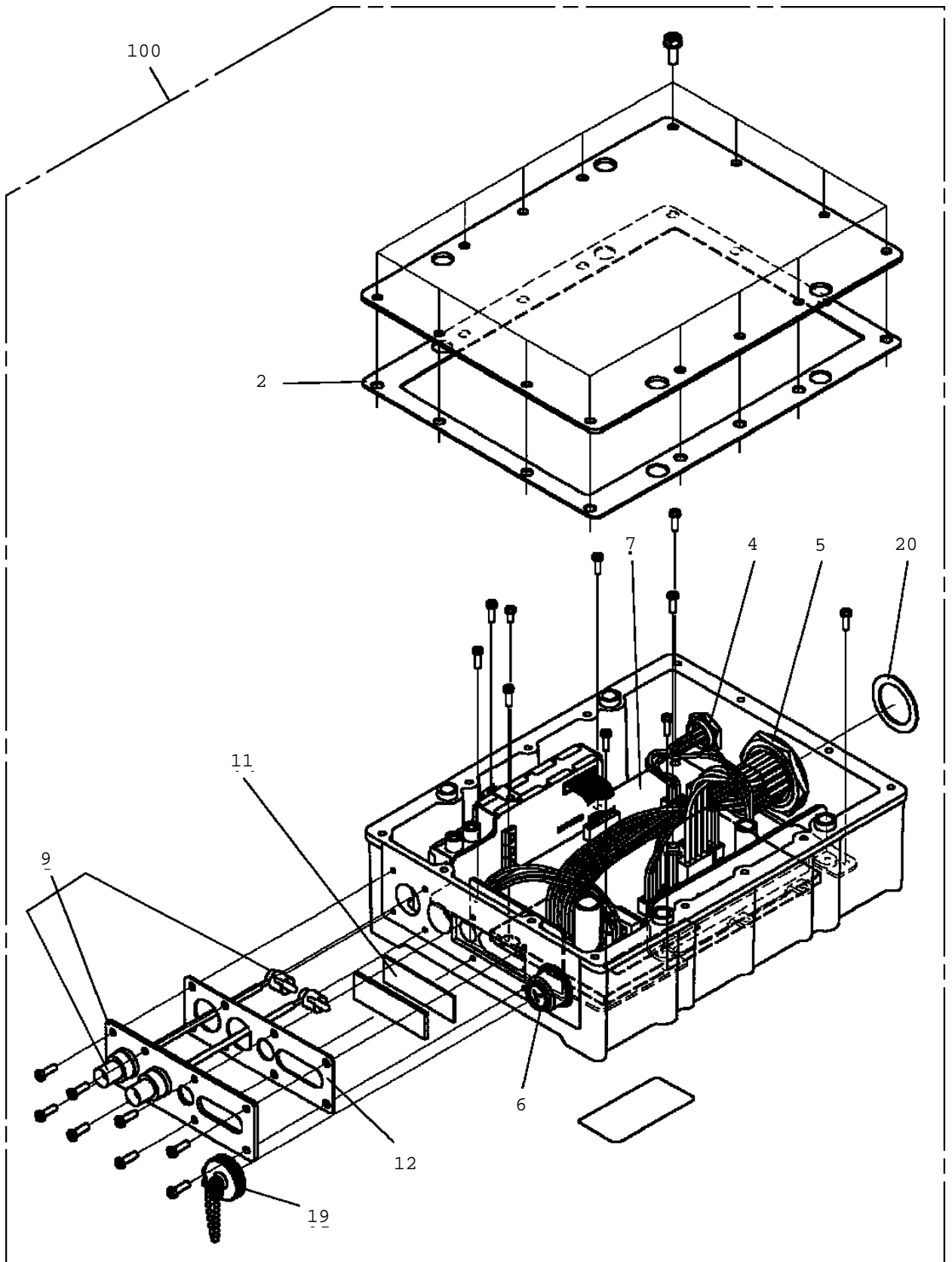
TM-ZF360 41102210360A FRAME/STD,REMOTE-RADIO CONT.,HOOK-IN
PV1040106-00 CONTROL UNIT



TM-ZF360 41102210360A FRAME/STD,REMOTE-RADIO CONT.,HOOK-IN

Pos No.	Parts No	Parts Name	Qty	Unit	Technical Data	Serial N
2	36800085011	GASKET	1			
4	36800565011	CONNECTOR ASSY (SPEAKER)	1			
5	36800565141	CONNECTOR ASSY (WITH HARNESS)	1			
6	36800565021	CONNECTOR ASSY (WITH HARNESS)	1			
7	36804035011	BOARD ASSY	1			
9	36804015021	PANEL ASSY (TERMINAL)	1			
11	36804015031	SPACER (RUBBER)	1			
12	36800565031	SPACER (RUBBER A)	1			
19	36800175031	CAP	1			
20	36800296101	PACKING (CONNECTOR INNER PART)	1			
100	36804031001	CONTROL UNIT	1			

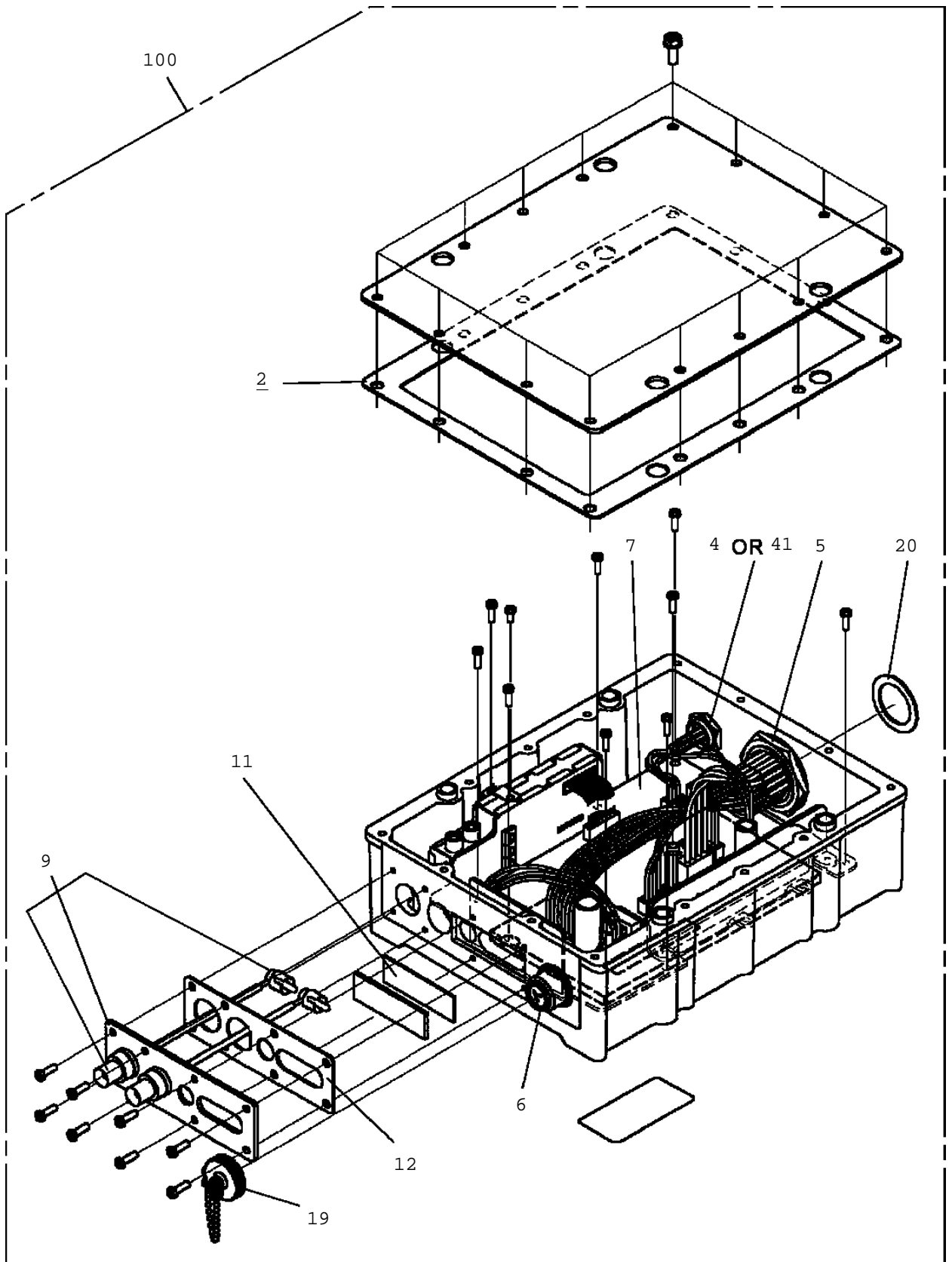
TM-ZF360 41102210360A FRAME/STD,REMOTE-RADIO CONT.,HOOK-IN
PV1040108-00 CONTROL UNIT



TM-ZF360 41102210360A FRAME/STD,REMOTE-RADIO CONT.,HOOK-IN

Pos No.	Parts No	Parts Name	Qty	Unit	Technical Data	Serial N
2	36800085011	GASKET	1			
4	36800565011	CONNECTOR ASSY (SPEAKER)	1			
5	36800565141	CONNECTOR ASSY (WITH HARNESS)	1			
6	36800565021	CONNECTOR ASSY (WITH HARNESS)	1			
7	36804015011	BOARD ASSY	1			
9	36804015021	PANEL ASSY (TERMINAL)	1			
11	36804015031	SPACER (RUBBER)	1			
12	36800565031	SPACER (RUBBER A)	1			
19	36800175031	CAP	1			
20	36800296101	PACKING (CONNECTOR INNER PART)	1			
100	36804011001	CONTROL UNIT	1			

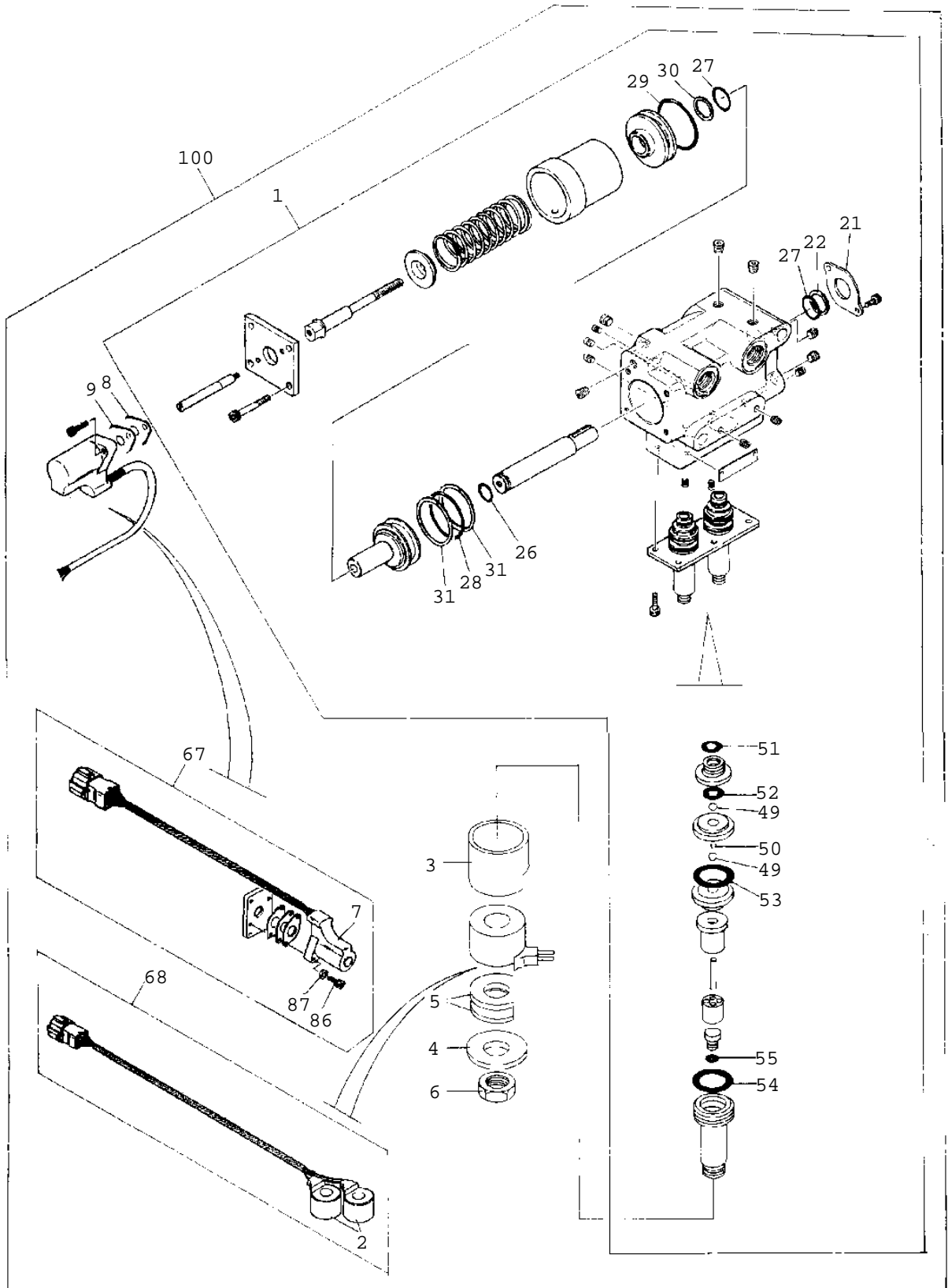
TM-ZF360 41102210360A FRAME/STD,REMOTE-RADIO CONT.,HOOK-IN
PV1040109-00 CONTROL UNIT



TM-ZF360 41102210360A FRAME/STD,REMOTE-RADIO CONT.,HOOK-IN

Pos No.	Parts No	Parts Name	Qty	Unit	Technical Data	Serial N
2	36800085011	GASKET	1			
4	36800565011	CONNECTOR ASSY (SPEAKER)	1			
5	36800565141	CONNECTOR ASSY (WITH HARNESS)	1			
6	36800565021	CONNECTOR ASSY (WITH HARNESS)	1			
7	36804025011	BOARD ASSY	1			
9	36804015021	PANEL ASSY (TERMINAL)	1			
11	36804015031	SPACER (RUBBER)	1			
12	36800565031	SPACER (RUBBER A)	1			
19	36800175031	CAP	1			
20	36800296101	PACKING (CONNECTOR INNER PART)	1			
41	36804025021	CONNECTOR ASSY (SPEAKER, 2P)	1			
100	36804021001	CONTROL UNIT	1			

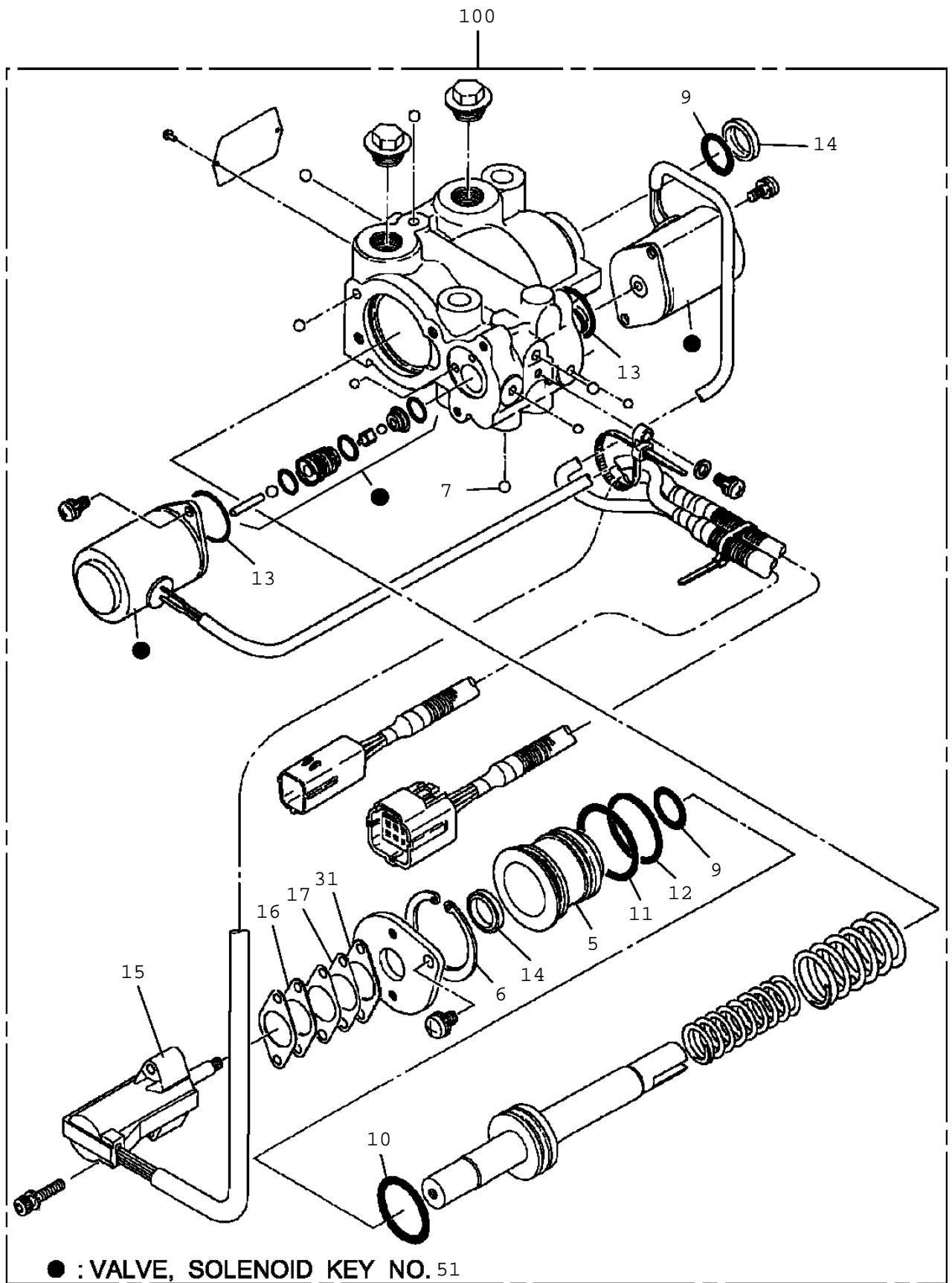
TM-ZF360 41102210360A FRAME/STD,REMOTE-RADIO CONT.,HOOK-IN
PV1050003-02 CYLINDER,ACCELERATOR (NACHI)



TM-ZF360 41102210360A FRAME/STD,REMOTE-RADIO CONT.,HOOK-IN

Pos No.	Parts No	Parts Name	Qty	Unit	Technical Data	Serial
1	36062285010	BLOCK,CYLINDER	1			
2	36642415250	COIL,SOLENOID (WITHOUT CONNECTOR)	2			
3	36642415230	CASE (COIL)	2			
4	36642415240	YOKE (A)	2			
5	36642415270	YOKE (B)	4			
6	36642415280	NUT	2			
7	36642415290	COIL (LVDT, WITHOUT CONNECTOR)	1			
8	36642415300	SHIM (T=0.5)	2			
9	36642415310	SHIM (T=0.2)	2			
21	36642415320	PLATE	1			
22	36642415220	RING,BACKUP	1			
26	91001101001	O-RING	1		1A P10A	
27	91001101400	O-RING	2		1A P14	
28	91001102800	O-RING	1		1A P28	
29	91002803200	O-RING	1		1B P32	
30	91411001400	RING,BACKUP	1		P14	
31	91411002800	RING,BACKUP	2		P28	
49	80560055000	BALL,STEEL	4		3/16	
50	36642415260	BALL,STEEL	2			
51	91001000900	O-RING	2		S9	
52	91001000700	O-RING	2		S7	
53	91001001800	O-RING	2		S18	
54	91000501700	O-RING	2			
55	36370105600	O-RING	2			
67	36645155230	COIL ASSY (LVDT/EHS)	1			
68	36645155240	COIL ASSY (FHS)	1			
86	36062605020	BOLT,HEXAGON SOCKET(WITH WASHER)	2		M4X15	
87	36062605030	WASHER	2			
100	36062280000	CYLINDER,ACCELERATOR (NACHI)	1			

TM-ZF360 41102210360A FRAME/STD,REMOTE-RADIO CONT.,HOOK-IN
PV1050007-02 CYLINDER,ACCELERATOR

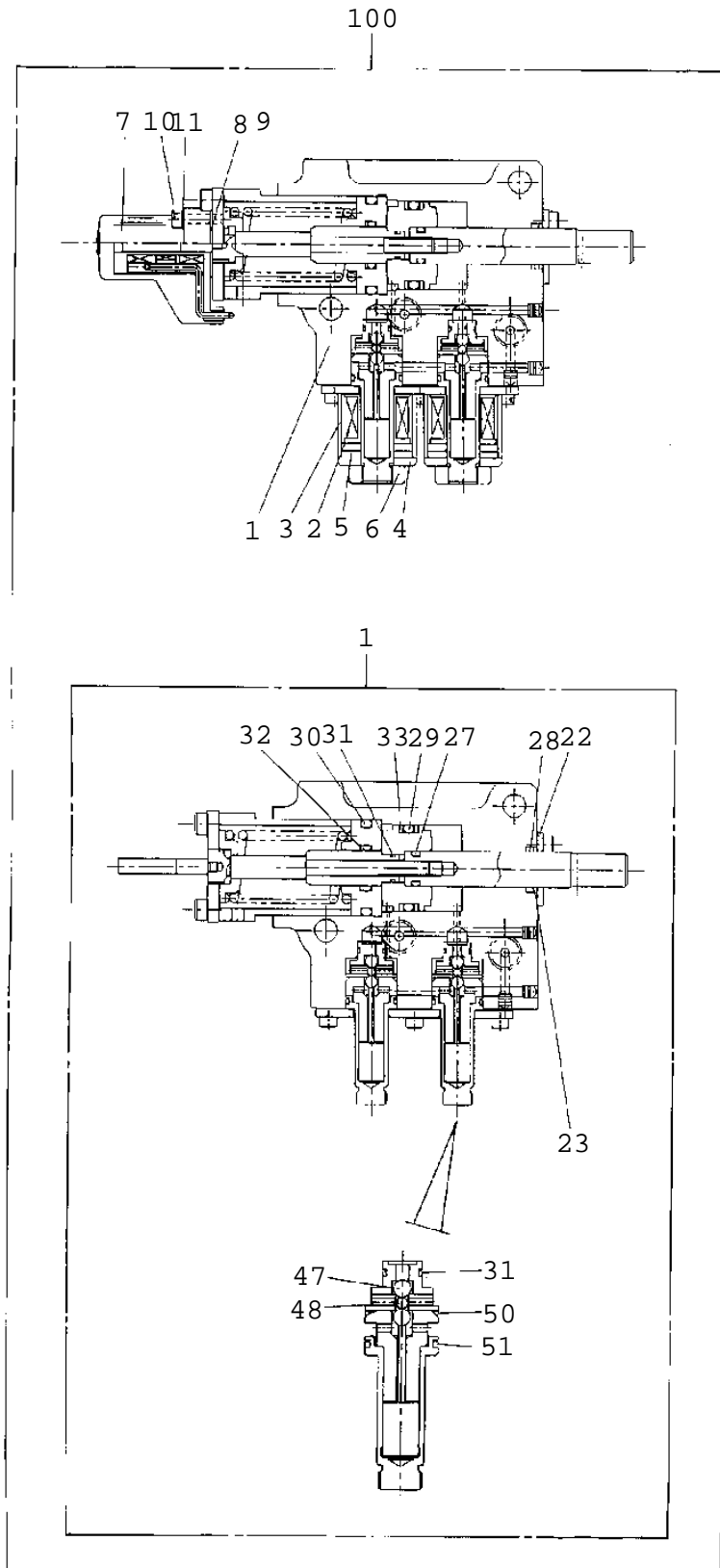


TM-ZF360 41102210360A FRAME/STD,REMOTE-RADIO CONT.,HOOK-IN

Pos No.	Parts No	Parts Name	Qty	Unit	Technical Data	Serial No (Sta
5	36062635020	COVER (SEAL)	1			
6	80602110370	RING,RETAINING	1			
7	36648375020	BALL,STEEL	9		3/16	
9	91001101400	O-RING	2		1A P14	
10	91001102400	O-RING	1		1A P24	
11	91001003000	O-RING	1		S30	
12	91001002800	O-RING	1		S28	
13	91001002200	O-RING	2		S22	
14	91650001400	SCRAPER	2			
15	36062445010	LVDT ASSY (A/WITH CORE,)	1			
16	36644015220	SHIM (T=0.2)	2			
17	36644015230	SHIM (T=0.3)	2			
51	36062445040	VALVE,SOLENOID	1			
100	36062440000	CYLINDER,ACCELERATOR	1			

TM-ZF360 41102210360A FRAME/STD,REMOTE-RADIO CONT.,HOOK-IN
PV1050009-00 CYLINDER,ACCELERATOR(NACHI)

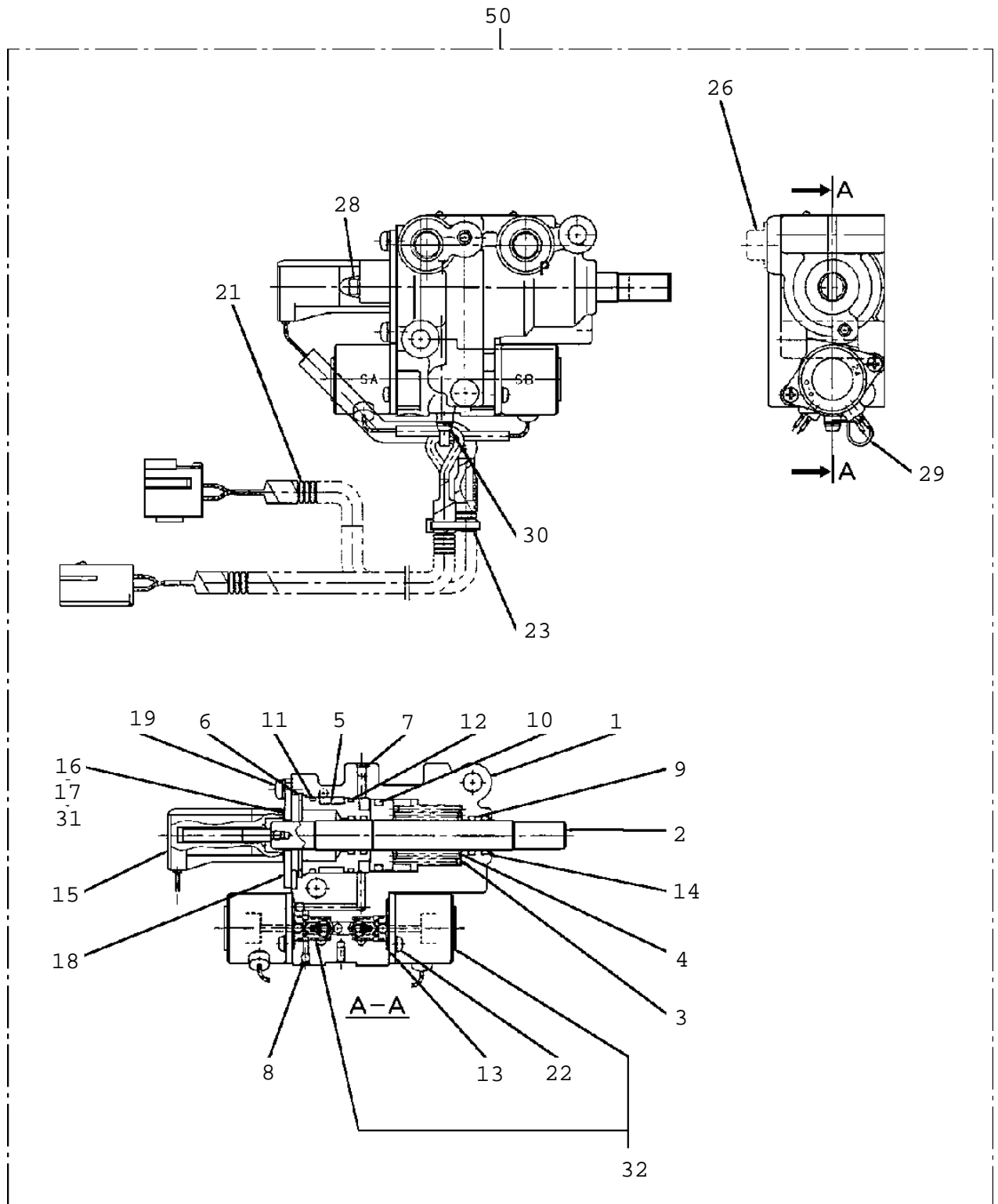
CYLINDER, ACCELERATOR



TM-ZF360 41102210360A FRAME/STD,REMOTE-RADIO CONT.,HOOK-IN

Pos No.	Parts No	Parts Name	Qty	Unit	Technical Data	Serial
1	36062605010	BODY KIT (ACCEL.. POSITIONER)	1			
	36062605010	BODY KIT (ACCEL.. POSITIONER)	1			
2	36642415250	COIL,SOLENOID (WITHOUT CONNECTOR)	2			
	36642415250	COIL,SOLENOID (WITHOUT CONNECTOR)	2			
3	36642415230	CASE (COIL)	2			
	36642415230	CASE (COIL)	2			
4	36642415240	YOKE (A)	2			
	36642415240	YOKE (A)	2			
5	36642415270	YOKE (B)	4			
	36642415270	YOKE (B)	4			
6	36642415280	NUT	2			
	36642415280	NUT	2			
7	36642415290	COIL (LVDT, WITHOUT CONNECTOR)	1			
	36642415290	COIL (LVDT, WITHOUT CONNECTOR)	1			
8	36642415300	SHIM (T=0.5)	2			
	36642415300	SHIM (T=0.5)	2			
9	36642415310	SHIM (T=0.2)	2			
	36642415310	SHIM (T=0.2)	2			
10	36062605020	BOLT,HEXAGON SOCKET(WITH WASHER)	2		M4X15	
	36062605020	BOLT,HEXAGON SOCKET(WITH WASHER)	2		M4X15	
11	36062605030	WASHER	2			
	36062605030	WASHER	2			
22	36642415320	PLATE	1			
	36642415320	PLATE	1			
23	36642415220	RING,BACKUP	1			
	36642415220	RING,BACKUP	1			
27	91001101001	O-RING	1		1A P10A	
	91001101001	O-RING	1		1A P10A	
28	91001101400	O-RING	2		1A P14	
	91001101400	O-RING	2		1A P14	
29	91001102800	O-RING	1		1A P28	
	91001102800	O-RING	1		1A P28	
30	91002803200	O-RING	1		1B P32	
	91002803200	O-RING	1		1B P32	
31	91001000900	O-RING	2		S9	
	91001000900	O-RING	2		S9	
32	91411001400	RING,BACKUP	1		P14	
	91411001400	RING,BACKUP	1		P14	
33	91411002800	RING,BACKUP	2		P28	
	91411002800	RING,BACKUP	2		P28	
47	80560055000	BALL,STEEL	2		3/16	
	80560055000	BALL,STEEL	2		3/16	
48	36642415260	BALL,STEEL	1			
	36642415260	BALL,STEEL	1			
50	91001001800	O-RING	1		S18	
	91001001800	O-RING	1		S18	
51	91000501700	O-RING	1			
	91000501700	O-RING	1			
100	36062600000	CYLINDER,ACCELERATOR(NACHI)	1			
	36062600000	CYLINDER,ACCELERATOR(NACHI)	1			

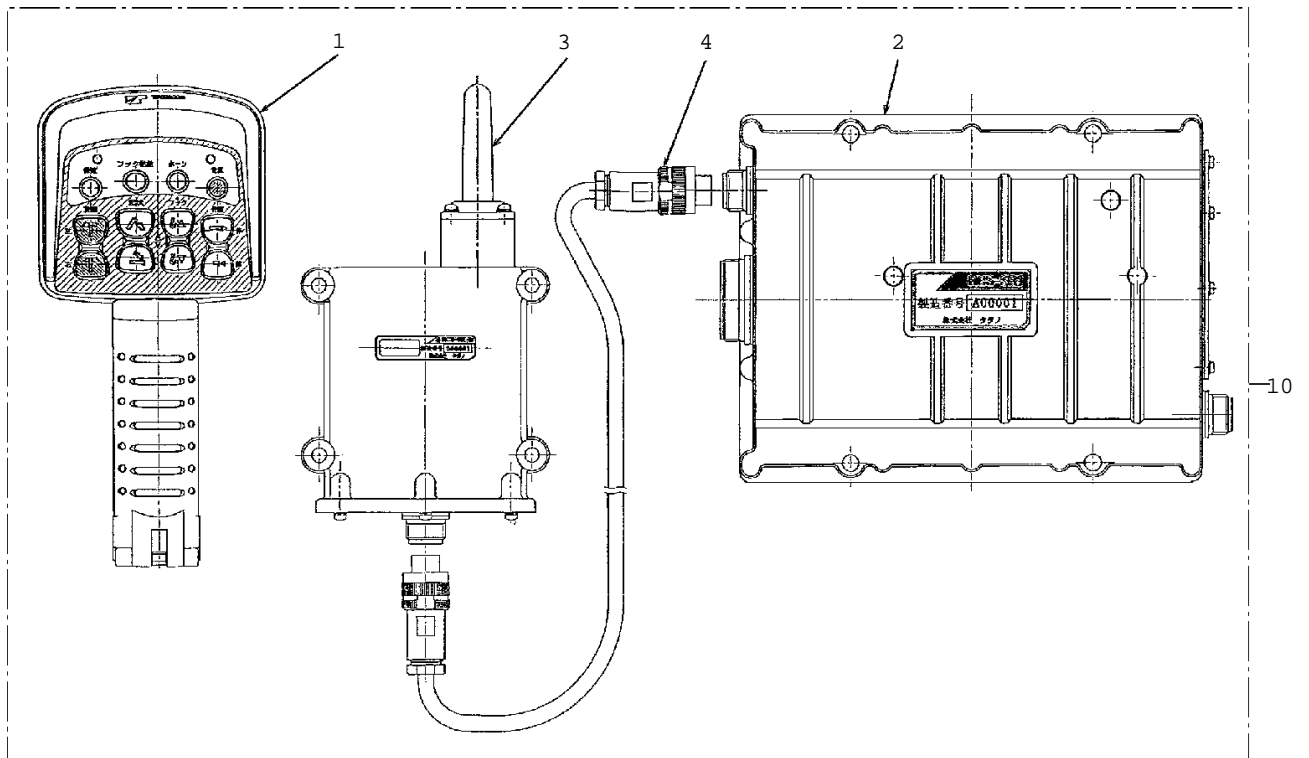
TM-ZF360 41102210360A FRAME/STD,REMOTE-RADIO CONT.,HOOK-IN
PV1050011-00 CYLINDER,ACCELERATOR



TM-ZF360 41102210360A FRAME/STD,REMOTE-RADIO CONT.,HOOK-IN

Pos No.	Parts No	Parts Name	Qty	Unit	Technical Data	Serial No (Sta
1	36062745010	BODY	1			
2	36062745020	ROD ASSY	1			
3	36062745030	SPRING (A)	1			
4	36062745040	SPRING (B)	1			
5	36062745050	COVER (SEAL)	1			
6	80602110380	RING,RITAINING	1		R38	
7	36648375020	BALL,STEEL	9		3/16	
8	80560054000	BALL,STEEL	5		5/32	
9	91001101400	O-RING	2		1A P14	
10	91001102800	O-RING	1		1A P28	
11	91001003200	O-RING	1		1A S32	
12	91001003150	O-RING	1		1A S31.5	
13	91001002200	O-RING	2		S22	
14	91650001400	SCRAPER	2			
15	36062445010	LVDT ASSY (A/WITH CORE,)	1			
	36062445011	LVDT ASSY (A/WITH CORE,)	1			KA1541
16	36644015220	SHIM (T=0.2)	2			
17	36644015230	SHIM (T=0.3)	2			
18	36062745060	FLANGE	1			
19	80172105008	SCREW,MACHINE	2		M5X8	
21	36062745070	TUBE	2			
22	80172104010	SCREW,MACHINE	5		M4X10	
23	36636085040	BAND	1			
	36645405160	BAND	1			KA1541
26	36081315130	PROTECTOR (THREAD)	2			
28	36645405100	BOLT	2		M4X22	
29	36062635030	FASTENER	1			
30	90303070401	WASHER,PLAIN	1		4	
31	36645405110	SHIM (T=1.0)	1			
32	36062745080	VALVE,SOLENOID	1			
50	36062740000	CYLINDER,ACCELERATOR	1			

TM-ZF360 41102210360A FRAME/STD,REMOTE-RADIO CONT.,HOOK-IN
PV1070002-00 RADIO CONTROL (KIT)



TM-ZF360 41102210360A FRAME/STD,REMOTE-RADIO CONT.,HOOK-IN

Pos No.	Parts No	Parts Name	Qty	Unit	Technical Data	Serial No (S
1	36802435010	SWITCH BOX (RADIO CONTROL)	1			
2	36802435020	CONTROL BOX	1			
3	36802435030	CONTROL UNIT (ANTENNA)	1			
4	36802435040	CABLE ASSY	1			
10	36802430000	RADIO CONTROL (KIT)	1			

TM-ZF360 41102210360A FRAME/STD,REMOTE-RADIO CONT.,HOOK-IN
PV1070080-00 RADIO CONTROL (KIT)

1	コントロール ホックス CONTROL BOX
2	アンテナ ANTENNA
3	スイッチ ホックス SWITCH BOX

TM-ZF360 41102210360A FRAME/STD,REMOTE-RADIO CONT.,HOOK-IN

Pos No.	Parts No	Parts Name	Qty	Unit	Technical Data	Serial No (
1	36802431000	CONTROL BOX	1			
	36804051001	CONTROL UNIT	1			
	36804051000	CONTROL BOX	1			EP3311
2	36802862000	ANTENNA (FOR RADIO CONTROL)	1			
3	36802863000	SWITCH BOX(RADIO CONTROL)	1			

TM-ZF360 41102210360A FRAME/STD,REMOTE-RADIO CONT.,HOOK-IN
PV1070133-00 RADIO CONTROL (PARTS)

12	マウント,アンテナ MOUNT,ANTENNA
13	ストーイング ボックス STOWING BOX
11	コントロール ボックス CONTROL BOX
12	スイッチ ボックス SWITCH BOX

TM-ZF360 41102210360A FRAME/STD,REMOTE-RADIO CONT.,HOOK-IN

Pos No.	Parts No	Parts Name	Qty	Unit	Technical Data
2	(*****)	MOUNT,ANTENNA (FOR RADIO CONTROL)	1		
3	36800541000	STOWING BOX (BAG,RADIO CONTROL)	1		
11	36804041001	CONTROL UNIT	1		
	36800561000	CONTROL BOX (RADIO CONTROL.M2.B)	1		
12	36800562000	SWITCH BOX (RADIO CONTROL.M2.TYPE-B)	1		
	36800562001	SWITCH BOX	1		

TM-ZF360 41102210360A FRAME/STD,REMOTE-RADIO CONT.,HOOK-IN
 PV1070150-00 RADIO CONTROL

1	ラジ オ コントロール RADIO CONTROL
2	ハイセンASSY ELEC.ASSY
3	ストーイング ホ ックス STOWING BOX
4	オペ .ASSY,ソウサハ ルフ OPE.ASSY,CONT.VALVE
5	オペ .ASSY,アクセル OPE.ASSY,ACCELERATOR
6	パイピング ,ロワー PIPING,LOWER
7	ハイセンASSY ELEC.ASSY
8	パイピング ,ロワー PIPING,LOWER
9	マウント MOUNT
10	プレートASSY,ネーム PLATE ASSY,NAME

TM-ZF360 41102210360A FRAME/STD,REMOTE-RADIO CONT.,HOOK-IN

Pos No.	Parts No	Parts Name	Qty	Unit	Technical Data	Ser
1	(*****)	RADIO CONTROL (KIT)	1			
2	(*****)	ELEC.ASSY (RADCON ANTENNA)	1			
3	36800541000	STOWING BOX (BAG,RADIO CONTROL)	1			
4	(*****)	OPE.ASSY,CONT.VALVE (RADICON)	1			
5	(*****)	OPERATION SYSTEM, ACCELERATOR	1			
6	(*****)	PIPING,LOWER (REMOTO CONT.,NACHI)	1			
7	(*****)	ELEC.ASSY (RADIO CONTROL)	1			
8	(*****)	PIPING,LOWER (REPLACE FILTER)	1			
9	(*****)	MOUNT	1			
10	36803195010	PLATE ASSY,NAME	1			

TM-ZF360 41102210360A FRAME/STD,REMOTE-RADIO CONT.,HOOK-IN
 PV1070151-00 RADIO CONTROL

1	ラジ オ コントロール RADIO CONTROL
2	ハイセンASSY ELEC.ASSY
3	ストーイング ホ ックス STOWING BOX
4	オペ .ASSY,ソウサハ ルフ OPE.ASSY,CONT.VALVE
5	オペ .ASSY,アクセル OPE.ASSY,ACCELERATOR
6	パイピ ング ,ロワー PIPING,LOWER
7	ハイセンASSY ELEC.ASSY
8	パイピ ング ,ロワー PIPING,LOWER
9	マウント MOUNT
10	プレートASSY,ネーム PLATE ASSY,NAME

TM-ZF360 41102210360A FRAME/STD,REMOTE-RADIO CONT.,HOOK-IN

Pos No.	Parts No	Parts Name	Qty	Unit	Technical Data	Ser
1	(*****)	RADIO CONTROL (KIT)	1			
2	(*****)	ELEC.ASSY (RADCON ANTENNA)	1			
3	36800541000	STOWING BOX (BAG,RADIO CONTROL)	1			
4	(*****)	OPE.ASSY,CONT.VALVE (RADICON)	1			
5	(*****)	OPERATION SYSTEM, ACCELERATOR	1			
6	(*****)	PIPING,LOWER (REMOTE CONT.,NACHI)	1			
7	(*****)	ELEC.ASSY (RADIO CONTROL)	1			
8	(*****)	PIPING,LOWER (REPLACE FILTER)	1			
9	(*****)	MOUNT	1			
10	36803195010	PLATE ASSY,NAME	1			

TM-ZF360 41102210360A FRAME/STD,REMOTE-RADIO CONT.,HOOK-IN
 PV1070152-00 RADIO CONTROL (FREQUENCY C)

12	マウント,アンテナ MOUNT,ANTENNA
13	ストーイング ホックス STOWING BOX
14	オペ .ASSY,ソウサハ ルフ OPE.ASSY,CONT.VALVE
15	オペ .ASSY,アクセル OPE.ASSY,ACCELERATOR
16	パイピング,ロー PIPING,LOWER
17	ハイセンASSY ELEC.ASSY
18	プレートASSY,ネーム PLATE ASSY,NAME
19	パイピング,ロー PIPING,LOWER
21	コントロール ホックス CONTROL BOX
22	スイッチ ホックス SWITCH BOX

TM-ZF360 41102210360A FRAME/STD,REMOTE-RADIO CONT.,HOOK-IN

Pos No.	Parts No	Parts Name	Qty	Unit	Technical Data
2	(*****)	MOUNT,ANTENNA (RADIO CONTROL,C-TYPE)	1		
3	36800541000	STOWING BOX (BAG,RADIO CONTROL)	1		
4	(*****)	OPERATION SYSTEM, CONTROL VALVE	1		
5	(*****)	OPERATION SYSTEM, ACCELERATOR	1		
6	(*****)	PIPING,LOWER (REMOTO CONT.,NACHI)	1		
7	(*****)	ELEC.ASSY (RADIO CONTROL)	1		
8	(*****)	PLATE ASSY,NAME (RADIO CONTROL C-TYPE)	1		
9	(*****)	PIPING,LOWER (REPLACE FILTER)	1		
21	36801451000	CONTROL BOX (RADIO CONTROL C-TYPE)	1		
22	36801452000	SWITCH BOX (RADIO CONTROL,C-TYPE)	1		

TM-ZF360 41102210360A FRAME/STD,REMOTE-RADIO CONT.,HOOK-IN
 PV1070153-00 RADIO CONTROL (HOOK-IN)

2	アンテナ ANTENNA
3	ストーイング ホックス STOWING BOX
4	オペ .ASSY,ソウサハ ルフ OPE.ASSY,CONT.VALVE
5	オペ .ASSY,アクセル OPE.ASSY,ACCELERATOR
6	パイピング,ロー PIPING,LOWER
7	ハイセンASSY ELEC.ASSY
8	パイピング,ロー PIPING,LOWER
10	ハーネス HARNESS
21	コントロール ホックス CONTROL BOX
22	スイッチ ホックス SWITCH BOX

TM-ZF360 41102210360A FRAME/STD,REMOTE-RADIO CONT.,HOOK-IN

Pos No.	Parts No	Parts Name	Qty	Unit	Technical Data
2	(*****)	ANTENNA (RADIO CONTROL/SELECTION DATA)	1		
3	36800541000	STOWING BOX (BAG,RADIO CONTROL)	1		
4	(*****)	OPE.ASSY,CONT.VALVE (RADICON)	1		
5	(*****)	OPERATION SYSTEM, ACCELERATOR	1		
6	(*****)	PIPING,LOWER (NACHI)	1		
	(*****)	PIPING,LOWER (SANWA)	1		
7	(*****)	ELEC.ASSY (RADIO CONTROL)	1		
8	(*****)	PIPING,LOWER (REPLACE FILTER)	1		
10	31473790100	HARNESS	1		
21	36803572001	CONTROL UNIT	1		
	36803571000	CONTROL BOX (RADIO CONTROL,D-TYPE)	1		
22	36801992001	SWITCH BOX (FUTABA)	1		
	36801992000	SWITCH BOX (RADIO CONTROL,TYPE-D)	1		

TM-ZF360 41102210360A FRAME/STD,REMOTE-RADIO CONT.,HOOK-IN
 PV1070154-00 RADIO CONTROL

2	アンテナ ANTENNA
3	ストーイング ホックス STOWING BOX
4	オペ .ASSY,ソウサハ ルフ OPE.ASSY,CONT.VALVE
5	オペ .ASSY,アクセル OPE.ASSY,ACCELERATOR
6	パイピング ,ロワー PIPING,LOWER
7	ハイセンASSY ELEC.ASSY
8	パイピング ,ロワー PIPING,LOWER
10	ハーネス HARNESS
21	コントロール ホックス CONTROL BOX
22	スイッチ ホックス SWITCH BOX

TM-ZF360 41102210360A FRAME/STD,REMOTE-RADIO CONT.,HOOK-IN

Pos No.	Parts No	Parts Name	Qty	Unit	Technical Data
2	(*****)	ANTENNA (RADIO CONTROL/SELECTION DATA)	1		
3	36800541000	STOWING BOX (BAG,RADIO CONTROL)	1		
4	(*****)	OPE.ASSY,CONT.VALVE (RADICON)	1		
5	(*****)	OPERATION SYSTEM, ACCELERATOR	1		
6	(*****)	PIPING,LOWER (NACHI)	1		
	(*****)	PIPING,LOWER (SANWA)	1		
7	(*****)	ELEC.ASSY (RADIO CONTROL)	1		
8	(*****)	PIPING,LOWER (REPLACE FILTER)	1		
10	31473790100	HARNESS	1		
21	36803572001	CONTROL UNIT	1		
	36803571000	CONTROL BOX (RADIO CONTROL,D-TYPE)	1		
22	36801992000	SWITCH BOX (RADIO CONTROL,TYPE-D)	1		
	36801992001	SWITCH BOX (FUTABA)	1		

TM-ZF360 41102210360A FRAME/STD,REMOTE-RADIO CONT.,HOOK-IN
PV1070192-00 RADIO CONTROL (FREQ.A OR FREQ.B)

2	マウント,アンテナ MOUNT,ANTENNA
3	ハイセンASSY ELEC.ASSY
4	ボックス ストローイング BOX,STOWING
11	コントロール ユニット CONTROL UNIT
12	スイッチ ボックス SWITCH BOX

TM-ZF360 41102210360A FRAME/STD,REMOTE-RADIO CONT.,HOOK-IN

Pos No.	Parts No	Parts Name	Qty	Unit	Technical Data
2	(*****)	MOUNT,ANTENNA (FOR RADIO CONTROL)	1		
3	(*****)	ELEC.ASSY (RADIO CONTROL)	1		
4	36800541000	STOWING BOX (BAG,RADIO CONTROL)	1		
11	36804021001	CONTROL UNIT	1		
	36800551000	CONTROL BOX (RADIO CONTROL.M2.A)	1		
	36804041001	CONTROL UNIT	1		
	36800561000	CONTROL BOX (RADIO CONTROL.M2.B)	1		
12	36800552001	SWITCH BOX	1		
	36800562000	SWITCH BOX (RADIO CONTROL.M2.TYPE-B)	1		
	36800552000	SWITCH BOX (RADIO CONTROL.M2.TYPE-A)	1		
	36800562001	SWITCH BOX	1		

TM-ZF360 41102210360A FRAME/STD,REMOTE-RADIO CONT.,HOOK-IN
PV1070193-00 RADIO CONTROL (FREQ.D OR FREQ.E)

2	マウント,アンテナ MOUNT,ANTENNA
3	ハイセンASSY ELEC.ASSY
4	ボックス ストローイング BOX,STOWING
5	プレートASSY,ネーム PLATE ASSY,NAME
11	コントロール ユニット CONTROL UNIT
12	スイッチ ボックス SWITCH BOX

TM-ZF360 41102210360A FRAME/STD,REMOTE-RADIO CONT.,HOOK-IN

Pos No.	Parts No	Parts Name	Qty	Unit	Technical Data
2	(*****)	MOUNT,ANTENNA (RADIO CONTROL,D.E-TYPE)	1		
3	(*****)	ELEC.ASSY (RADIO CONTROL)	1		
4	36800541000	STOWING BOX (BAG,RADIO CONTROL)	1		
11	36802011000	CONTROL BOX (RADIO CONTROL,TYPE-E)	1		
	36804011001	CONTROL UNIT	1		
	36804031001	CONTROL UNIT	1		
	36801991000	CONTROL BOX (RADIO CONTROL,D)	1		
12	36801992000	SWITCH BOX (RADIO CONTROL,TYPE-D)	1		
	36801992001	SWITCH BOX (FUTABA)	1		
	36802012000	SWITCH BOX (RADIO CONTROL,TYPE-E)	1		
	36802012001	SWITCH BOX	1		

TM-ZF360 41102210360A FRAME/STD,REMOTE-RADIO CONT.,HOOK-IN
PV1070194-00 RADIO CONTROL

1	ラジ オ コントローラ RADIO CONTROLLER
2	ハイセンASSY ELEC.ASSY (RADIO CONTROL)
3	ホ ックス ストローイング BOX,STOWING
4	ハイセンASSY ELEC.ASSY (ANTENNA)

TM-ZF360 41102210360A FRAME/STD,REMOTE-RADIO CONT.,HOOK-IN

Pos No.	Parts No	Parts Name	Qty	Unit	Technical Data	Serial
1	36802430000	RADIO CONTROL (KIT)	1			
2	(***** *****)	ELEC.ASSY (RADIO CONTROL)	1			
3	36800541000	STOWING BOX (BAG,RADIO CONTROL)	1			

TM-ZF360 41102210360A FRAME/STD,REMOTE-RADIO CONT.,HOOK-IN
PV1070373-00 RADIO CONTROL(F,LED KIT/WITHOUT HOOK-IN)

指示番号 KEY NO.	ラジオコントロール (Fキット,LEDキット/フックインなし) RADIO CONTROL (F,LED KIT/WITHOUT HOOK-IN)
2	ハイセンASSY (アンテナ) ELEC. ASSY (ANTENNA)
3	ハイセンASSY ELEC. ASSY
11	コントロール ユニット CONTROL UNIT
12	アンテナ ANTENNA
13	スイッチ ボックス SWITCH BOX
14	ボックス,ストローイング BOX,STOWING

TM-ZF360 41102210360A FRAME/STD,REMOTE-RADIO CONT.,HOOK-IN

Pos No.	Parts No	Parts Name	Qty	Unit	Technical Data	S
2	(*****)	ELEC.ASSY (ANTENNA)	1			
3	(*****)	ELEC.ASSY (RADIO CONTROL)	1			
11	36804911000	CONTROL UNIT	1			
12	36804912000	ANTENNA (FOR RADIO CONTROL)	1			
13	36804913000	SWITCH BOX (RADIO CONTROL,LED TYPE)	1			
14	36804914000	BOX,STOWING	1			

TM-ZF360 41102210360A FRAME/STD,REMOTE-RADIO CONT.,HOOK-IN
PV1070374-00 RADIO CONTROL (F-TYPE,LED KIT/HOOK-IN)

指示番号 KEY NO.	ラジオコントロール (Fタイプ,LED キット/フックイン) RADIO CONTROL (F-TYPE,LED KIT/HOOK-IN)
2	ハイセンASSY (アンテナ) ELEC.ASSY (ANTENNA)
3	ハイセンASSY (ラジオコントロール,フックイン) ELEC.ASSY (RADIO CONTROL,HOOK-IN)
11	コントロール ユニット CONTROL UNIT
12	アンテナ ANTENNA
13	スイッチ ボックス SWITCH BOX
14	ボックス,ストーイング BOX,STOWING

TM-ZF360 41102210360A FRAME/STD,REMOTE-RADIO CONT.,HOOK-IN

Pos No.	Parts No	Parts Name	Qty	Unit	Technical Data	S
2	(*****)	ELEC.ASSY (ANTENNA)	1			
3	(*****)	ELEC.ASSY (RADIO CONTROL)	1			
11	36804911000	CONTROL UNIT	1			
12	36804912000	ANTENNA (FOR RADIO CONTROL)	1			
13	36804913000	SWITCH BOX (RADIO CONTROL,LED TYPE)	1			
14	36804914000	BOX,STOWING	1			

TM-ZF360 41102210360A FRAME/STD,REMOTE-RADIO CONT.,HOOK-IN
 PV1080036-00 PARTS,BML (3,4 SECT.HOOK-IN)

1	ハイセンASSY ELEC.ASSY
3	デテクタ,オーバ フロント エリア DETECTOR,OVER FRONT AREA
4	インジケータ,アウトリガ INDICATOR,OUTRIGGER
5	デテクタ,ロード DETECTOR,LOAD
6	スイッチ インスタレーション SWITCH INSTALLATION
7	プレートASSY,ネーム PLATE ASSY,NAME
9	デテクタ,ブーム レンクス DETECTOR,BOOM LENGTH
10	モーメント リミッタ MOMENT LIMITER
11	プレートASSY,ネーム PLATE ASSY,NAME

TM-ZF360 41102210360A FRAME/STD,REMOTE-RADIO CONT.,HOOK-IN

Pos No.	Parts No	Parts Name	Qty	Unit	Technical Data
1	(*****)	ELEC.ASSY (BML,OPTION)	1		
3	(*****)	DETECTOR,OVER FRONT AREA (BML,OPTION)	1		
4	(*****)	INDICATOR,OUTRIGGER	1		
5	(*****)	DETECTOR,LOAD (BML,OPTION)	1		
6	(*****)	SWITCH INSTALLATION (BML)	1		
7	(*****)	PLATE ASSY,NAME (BML,OPTION)	1		
9	36131310000	DETECTOR,BOOM LENGTH (BML,OPTION)	1		
10	36118060000	MOMENT LIMITER (BML-PB)	1		
11	(*****)	PLATE ASSY,NAME (BML BOOM,OPTION)	1		

1	ハイセンASSY ELEC.ASSY
3	デテクタ,オーバ フロント エリア DETECTOR,OVER FRONT AREA
4	インジケータ,アウトリガ INDICATOR,OUTRIGGER
5	デテクタ,ロード DETECTOR,LOAD
6	スイッチ インスタレーション SWITCH INSTALLATION
7	プレートASSY,ネーム PLATE ASSY,NAME
9	デテクタ,ブーム レンクス DETECTOR,BOOM LENGTH
10	モーメント リミッタ MOMENT LIMITER
11	プレートASSY,ネーム PLATE ASSY,NAME

TM-ZF360 41102210360A FRAME/STD,REMOTE-RADIO CONT.,HOOK-IN

Pos No.	Parts No	Parts Name	Qty	Unit	Technical Data
1	(*****)	ELEC.ASSY (BML,OPTION)	1		
3	(*****)	DETECTOR,OVER FRONT AREA (BML,OPTION)	1		
4	(*****)	INDICATOR,OUTRIGGER	1		
5	(*****)	DETECTOR,LOAD (BML,OPTION)	1		
6	(*****)	SWITCH INSTALLATION (BML)	1		
7	(*****)	PLATE ASSY,NAME (BML,OPTION)	1		
9	36131310000	DETECTOR,BOOM LENGTH (BML,OPTION)	1		
10	36118060000	MOMENT LIMITER (BML-PB)	1		
11	(*****)	PLATE ASSY,NAME (BML BOOM,OPTION)	1		

TM-ZF360 41102210360A FRAME/STD,REMOTE-RADIO CONT.,HOOK-IN
 PV1080038-00 PARTS,BML (3,4 SECT.RADICON HOOK-IN)

1	ハイセンASSY ELEC.ASSY
3	デテクタ,オーバ フロント エリア DETECTOR,OVER FRONT AREA
4	インジケータ,アウトリガ INDICATOR,OUTRIGGER
5	デテクタ,ロード DETECTOR,LOAD
6	スイッチ インスタレーション SWITCH INSTALLATION
7	プレートASSY,ネーム PLATE ASSY,NAME
9	デテクタ,ブーム レンクス DETECTOR,BOOM LENGTH
10	モーメント リミッタ MOMENT LIMITER
11	プレートASSY,ネーム PLATE ASSY,NAME

TM-ZF360 41102210360A FRAME/STD,REMOTE-RADIO CONT.,HOOK-IN

Pos No.	Parts No	Parts Name	Qty	Unit	Technical Data
1	(*****)	ELEC.ASSY (BML,OPTION)	1		
3	(*****)	DETECTOR,OVER FRONT AREA (BML,OPTION)	1		
4	(*****)	INDICATOR,OUTRIGGER	1		
5	(*****)	DETECTOR,LOAD (BML,OPTION)	1		
6	(*****)	SWITCH INSTALLATION (BML)	1		
7	(*****)	PLATE ASSY,NAME (BML,OPTION)	1		
9	36131310000	DETECTOR,BOOM LENGTH (BML,OPTION)	1		
10	36118060000	MOMENT LIMITER (BML-PB)	1		
11	(*****)	PLATE ASSY,NAME (BML BOOM,OPTION)	1		

TM-ZF360 41102210360A FRAME/STD,REMOTE-RADIO CONT.,HOOK-IN
 PV1080039-00 PARTS,BML (5,6 SECT.HOOK-IN)

1	ハイセンASSY ELEC.ASSY
3	デテクタ,オーバ フロント エリア DETECTOR,OVER FRONT AREA
4	インジケータ,アウトリガ INDICATOR,OUTRIGGER
5	デテクタ,ロード DETECTOR,LOAD
6	スイッチ インスタレーション SWITCH INSTALLATION
7	プレートASSY,ネーム PLATE ASSY,NAME
9	デテクタ,ブーム レンクス DETECTOR,BOOM LENGTH
10	モーメント リミッタ MOMENT LIMITER
11	プレートASSY,ネーム PLATE ASSY,NAME

TM-ZF360 41102210360A FRAME/STD,REMOTE-RADIO CONT.,HOOK-IN

Pos No.	Parts No	Parts Name	Qty	Unit	Technical Data
1	(*****)	ELEC.ASSY (BML,OPTION)	1		
3	(*****)	DETECTOR,OVER FRONT AREA (BML,OPTION)	1		
4	(*****)	INDICATOR,OUTRIGGER	1		
5	(*****)	DETECTOR,LOAD (BML,OPTION)	1		
6	(*****)	SWITCH INSTALLATION (BML)	1		
7	(*****)	PLATE ASSY,NAME (BML,OPTION)	1		
9	36131380000	DETECTOR,BOOM LENGTH (BML,OPTION)	1		
10	36118060000	MOMENT LIMITER (BML-PB)	1		
11	(*****)	PLATE ASSY,NAME (BML BOOM,OPTION)	1		

1	ハイセンASSY ELEC.ASSY
3	デテクタ,オーバ フロント エリア DETECTOR,OVER FRONT AREA
4	インジケータ,アウトリガ INDICATOR,OUTRIGGER
5	デテクタ,ロード DETECTOR,LOAD
6	スイッチ インスタレーション SWITCH INSTALLATION
7	プレートASSY,ネーム PLATE ASSY,NAME
9	デテクタ,ブーム レンクス DETECTOR,BOOM LENGTH
10	モーメント リミッタ MOMENT LIMITER
11	プレートASSY,ネーム PLATE ASSY,NAME

TM-ZF360 41102210360A FRAME/STD,REMOTE-RADIO CONT.,HOOK-IN

Pos No.	Parts No	Parts Name	Qty	Unit	Technical Data
1	(*****)	ELEC.ASSY (BML,OPTION)	1		
3	(*****)	DETECTOR,OVER FRONT AREA (BML,OPTION)	1		
4	(*****)	INDICATOR,OUTRIGGER	1		
5	(*****)	DETECTOR,LOAD (BML,OPTION)	1		
6	(*****)	SWITCH INSTALLATION (BML)	1		
7	(*****)	PLATE ASSY,NAME (BML,OPTION)	1		
9	36131380000	DETECTOR,BOOM LENGTH (BML,OPTION)	1		
10	36118060000	MOMENT LIMITER (BML-PB)	1		
11	(*****)	PLATE ASSY,NAME (BML BOOM,OPTION)	1		

TM-ZF360 41102210360A FRAME/STD,REMOTE-RADIO CONT.,HOOK-IN
 PV1080041-00 PARTS,BML (5,6 SECT.RADICON HOOK-IN)

1	ハイセンASSY ELEC.ASSY
3	デテクタ,オーバ フロント エリア DETECTOR,OVER FRONT AREA
4	インジケータ,アウトリガ INDICATOR,OUTRIGGER
5	デテクタ,ロード DETECTOR,LOAD
6	スイッチ インスタレーション SWITCH INSTALLATION
7	プレートASSY,ネーム PLATE ASSY,NAME
9	デテクタ,ブーム レンクス DETECTOR,BOOM LENGTH
10	モーメント リミッタ MOMENT LIMITER
11	プレートASSY,ネーム PLATE ASSY,NAME

TM-ZF360 41102210360A FRAME/STD,REMOTE-RADIO CONT.,HOOK-IN

Pos No.	Parts No	Parts Name	Qty	Unit	Technical Data
1	(*****)	ELEC.ASSY (BML,OPTION)	1		
3	(*****)	DETECTOR,OVER FRONT AREA (BML,OPTION)	1		
4	(*****)	INDICATOR,OUTRIGGER	1		
5	(*****)	DETECTOR,LOAD (BML,OPTION)	1		
6	(*****)	SWITCH INSTALLATION (BML)	1		
7	(*****)	PLATE ASSY,NAME (BML,OPTION)	1		
9	36131380000	DETECTOR,BOOM LENGTH (BML,OPTION)	1		
10	36118060000	MOMENT LIMITER (BML-PB)	1		
11	(*****)	PLATE ASSY,NAME (BML BOOM,OPTION)	1		

TM-ZF360 41102210360A FRAME/STD,REMOTE-RADIO CONT.,HOOK-IN
PV1090009-00 PARTS,AWL

1	ハイセンASSY ELEC.ASSY
3	プレートASSY,ネーム PLATE ASSY,NAME
4	ワーキング エリア リミッタ WORKING AREA LIMITER

TM-ZF360 41102210360A FRAME/STD,REMOTE-RADIO CONT.,HOOK-IN

Pos No.	Parts No	Parts Name	Qty	Unit	Technical Data	Serial N
1	(*****)	ELEC.ASSY (AWL)	1			
3	(*****)	PLATE ASSY,NAME (AWL)	1			
4	36117090000	WORKING AREA LIMITER (AWL-N)	1			

TM-ZF360 41102210360A FRAME/STD,REMOTE-RADIO CONT.,HOOK-IN
PV1090010-00 PARTS,AWL

1	ハイセンASSY ELEC.ASSY
3	プレートASSY,ネーム PLATE ASSY,NAME
4	ワーキング エリア リミッタ WORKING AREA LIMITER

TM-ZF360 41102210360A FRAME/STD,REMOTE-RADIO CONT.,HOOK-IN

Pos No.	Parts No	Parts Name	Qty	Unit	Technical Data	Serial N
1	(*****)	ELEC.ASSY (AWL)	1			
3	(*****)	PLATE ASSY,NAME (AWL)	1			
4	36117770000	WORKING AREA LIMITER (AWL-N)	1			

TM-ZF360 41102210360A FRAME/STD,REMOTE-RADIO CONT.,HOOK-IN
PV1090011-00 PARTS,AWL

1	ハイセンASSY ELEC.ASSY
3	プレートASSY,ネーム PLATE ASSY,NAME
4	ワーキング エリア リミッタ WORKING AREA LIMITER

TM-ZF360 41102210360A FRAME/STD,REMOTE-RADIO CONT.,HOOK-IN

Pos No.	Parts No	Parts Name	Qty	Unit	Technical Data	Serial N
1	(*****)	ELEC.ASSY (AWL)	1			
3	(*****)	PLATE ASSY,NAME (AWL)	1			
4	36117840000	WORKING AREA LIMITER (AWL-N)	1			

TM-ZF360 41102210360A FRAME/STD,REMOTE-RADIO CONT.,HOOK-IN
PV1090012-00 PARTS,AWL

1	ハイセンASSY ELEC.ASSY
3	プレートASSY,ネーム PLATE ASSY,NAME
4	ワーキング エリア リミッタ WORKING AREA LIMITER

TM-ZF360 41102210360A FRAME/STD,REMOTE-RADIO CONT.,HOOK-IN

Pos No.	Parts No	Parts Name	Qty	Unit	Technical Data	Serial N
1	(*****)	ELEC.ASSY (AWL)	1			
3	(*****)	PLATE ASSY,NAME (AWL)	1			
4	36117810000	WORKING AREA LIMITER (AWL-N)	1			

TM-ZF360 41102210360A FRAME/STD,REMOTE-RADIO CONT.,HOOK-IN
PV1090014-00 PARTS,AWL

1	ハイセンASSY ELEC.ASSY
3	プレートASSY,ネーム PLATE ASSY,NAME
4	ワーキング エリア リミッタ WORKING AREA LIMITER

TM-ZF360 41102210360A FRAME/STD,REMOTE-RADIO CONT.,HOOK-IN

Pos No.	Parts No	Parts Name	Qty	Unit	Technical Data	Serial N
1	(*****)	ELEC.ASSY (AWL)	1			
3	(*****)	PLATE ASSY,NAME (AWL)	1			
4	36117990000	WORKING AREA LIMITER (AWL-N)	1			

TM-ZF360 41102210360A FRAME/STD,REMOTE-RADIO CONT.,HOOK-IN
PV1090015-00 PARTS,AWL

1	ハイセンASSY ELEC.ASSY
3	プレートASSY,ネーム PLATE ASSY,NAME
5	ワーキング エリア リミッタ WORKING AREA LIMITER

TM-ZF360 41102210360A FRAME/STD,REMOTE-RADIO CONT.,HOOK-IN

Pos No.	Parts No	Parts Name	Qty	Unit	Technical Data	Serial N
1	(*****)	ELEC.ASSY	1			
3	(*****)	PLATE ASSY,NAME (AWL,OPTION)	1			
5	3611891000	WORKING AREA LIMITER	1			

TM-ZF360 41102210360A FRAME/STD,REMOTE-RADIO CONT.,HOOK-IN
 PV1090026-00 PARTS,AWL (2-4 SECT./RADICON OR MH)

指示番号 KEY NO.	パーツ,AWL (2-4セクション,ニニイ/ラジコンORマニュアルフックイン) PARTS,AWL (2-4 SECT./RADICON OR MANUAL HOOK-IN)
1	ハイセンASSY ELEC.ASSY
3	プレートASSY,ネーム PLATE ASSY,NAME
4	ディテクタ,ブーム レンクス DETECTOR,BOOM LENGTH
6	モーメント リミッタ MOMENT LIMITER
8	ハイセンASSY (スペア ハーネス) ELEC.ASSY (SPARE HARNESS)
12	マウント MOUNT

TM-ZF360 41102210360A FRAME/STD,REMOTE-RADIO CONT.,HOOK-IN

Pos No.	Parts No	Parts Name	Qty	Unit	Technical Data	Serial N
1	(*****)	ELEC.ASSY	1			
3	(*****)	PLATE ASSY,NAME (UPPER)	1			
4	(*****)	DETECTOR,BOOM LENGTH (MOUNT)	1			
6	36192680000	MOMENT LIMITER (BML)	1			
	36194660000	MOMENT LIMITER (BML)	1			
8	(*****)	ELEC.ASSY (SPARE HARNESS)	1			
12	(*****)	MOUNT (BOOM)	1			KA3405

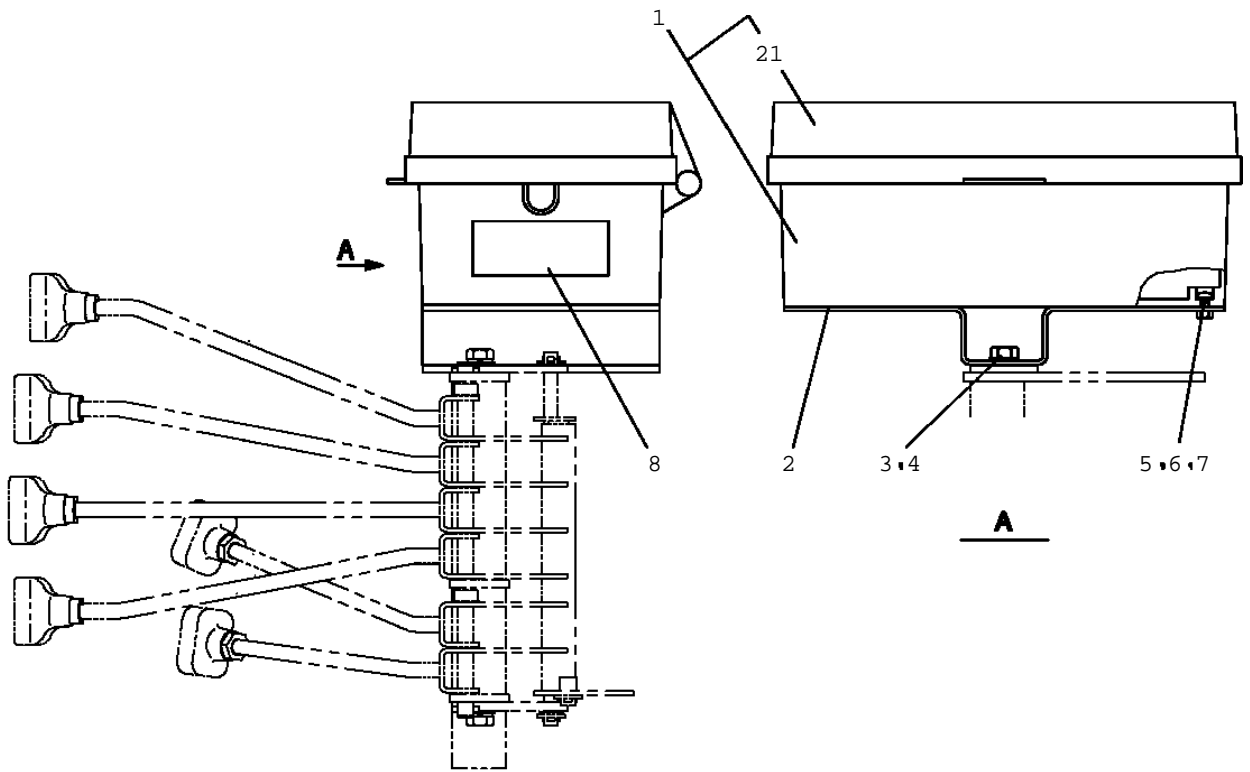
TM-ZF360 41102210360A FRAME/STD,REMOTE-RADIO CONT.,HOOK-IN
 PV1090027-00 PARTS,AWL (5,6 SECT./RADICON OR MH)

指示番号 KEY NO.	パーツ,AWL (5,6セクション,ニニイ/ラジコンORマニュアルフックイン) PARTS,AWL (5,6 SECT./RADICON OR MANUAL HOOK-IN)
1	ハイセンASSY ELEC.ASSY
3	プレートASSY,ネーム PLATE ASSY,NAME
4	ディテクタ,ブーム レンクス DETECTOR,BOOM LENGTH
6	モーメント リミッタ MOMENT LIMITER
8	ハイセンASSY (スペア ハーネス) ELEC.ASSY (SPARE HARNESS)
12	マウント MOUNT


TM-ZF360 41102210360A FRAME/STD,REMOTE-RADIO CONT.,HOOK-IN

Pos No.	Parts No	Parts Name	Qty	Unit	Technical Data	Serial N
1	(*****)	ELEC.ASSY	1			
3	(*****)	PLATE ASSY,NAME (UPPER)	1			
4	(*****)	DETECTOR,BOOM LENGTH (MOUNT)	1			
6	36192680000	MOMENT LIMITER (BML)	1			
	36194660000	MOMENT LIMITER (BML)	1			KA3405
8	(*****)	ELEC.ASSY (SPARE HARNESS)	1			
12	(*****)	MOUNT (BOOM)	1			

TM-ZF360 41102210360A FRAME/STD,REMOTE-RADIO CONT.,HOOK-IN
PV1250002-04 STOWING BOX (REMOTE CONTROL)



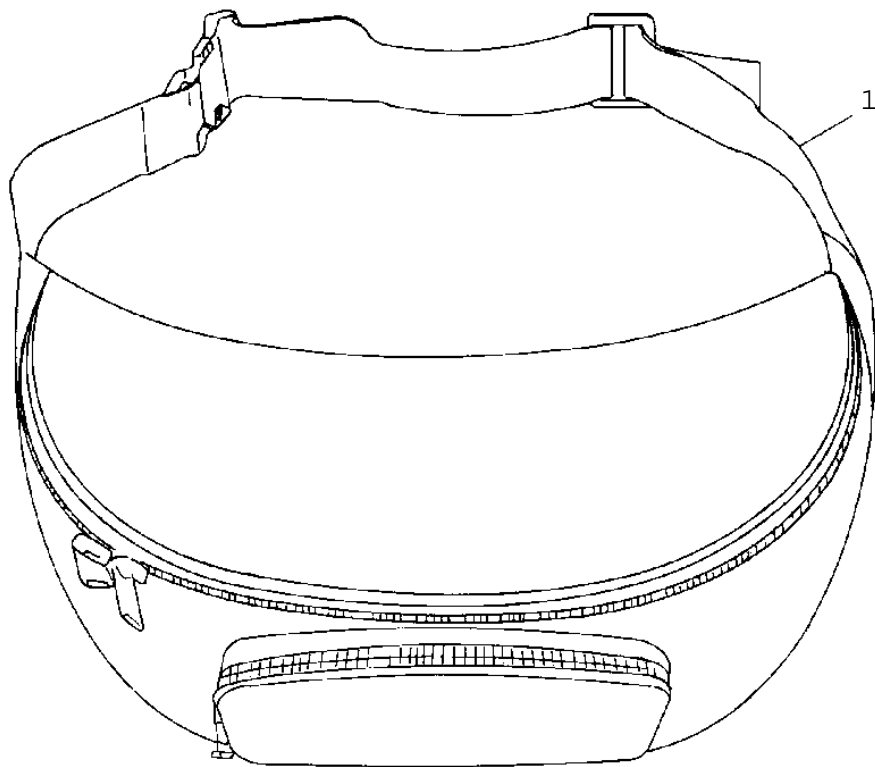
8

	高压洗浄禁止
格納箱の中にはウエスなど湿気を ふくむものは入れないでください。	
368-001-74300	

TM-ZF360 41102210360A FRAME/STD,REMOTE-RADIO CONT.,HOOK-IN

Pos No.	Parts No	Parts Name	Qty	Unit	Technical Data	Serial No (Start)	Serial
1	36800174100	BOX	1				
2	36800174201	SUPPORT	1				
3	90101210014	BOLT	2		M10X14		
4	90302041001	WASHER,SPRING	2		10		
5	80182306016	SCREW,MACHINE	4		M6X16		
6	90303100601	WASHER,PLAIN	4		6		
7	90201200600	NUT	4		M6		
8	36800174300	PLATE,CAUTION	1				
21	36800175090	COVER (UPPER)	1				

TM-ZF360 41102210360A FRAME/STD,REMOTE-RADIO CONT.,HOOK-IN
PV1250006-00 STOWING BOX (BAG,RADIO CONTROL)

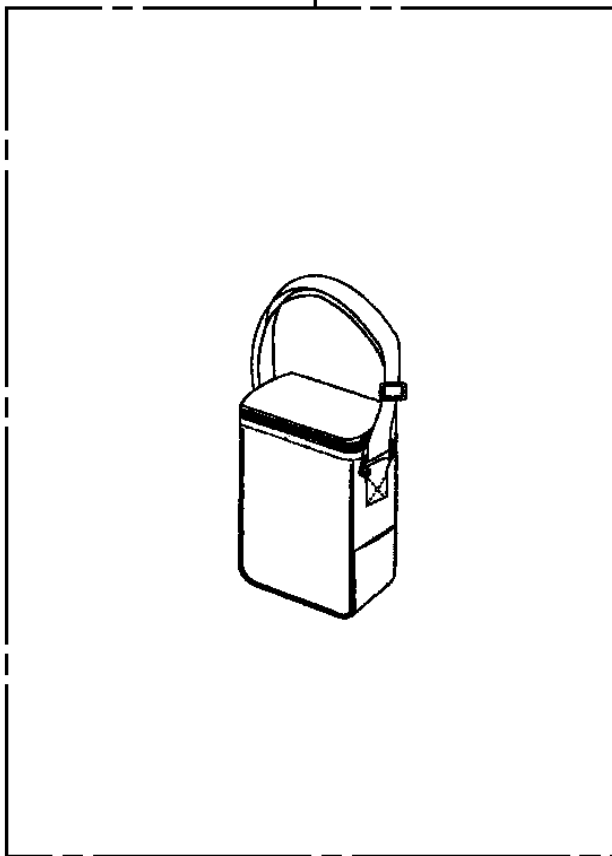


TM-ZF360 41102210360A FRAME/STD,REMOTE-RADIO CONT.,HOOK-IN

Pos No.	Parts No	Parts Name	Qty	Unit	Technical Data	Serial
1	36800541000	STOWING BOX (BAG,RADIO CONTROL)	1			

TM-ZF360 41102210360A FRAME/STD,REMOTE-RADIO CONT.,HOOK-IN
PV1250013-00 BOX,STOWING

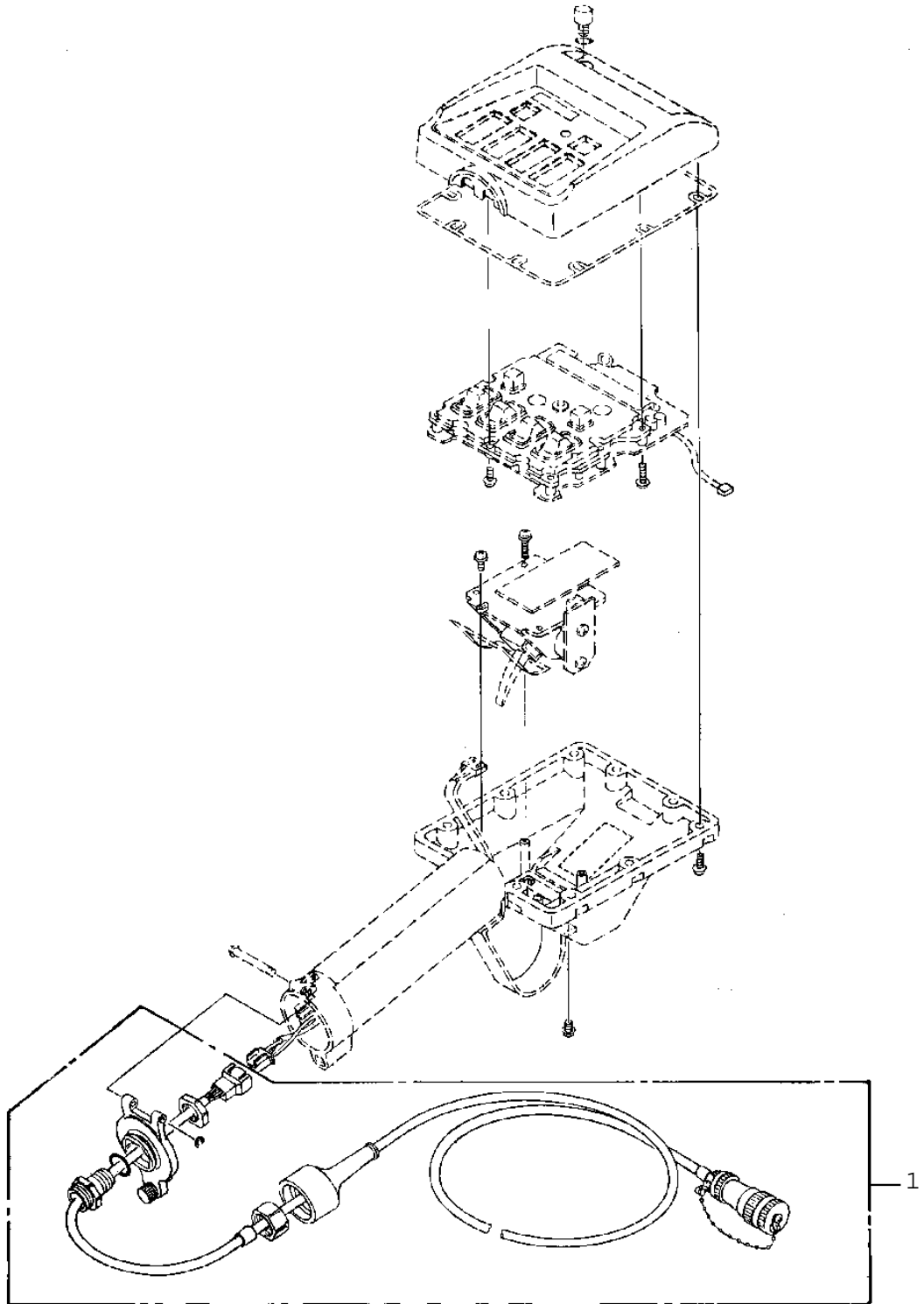
10



TM-ZF360 41102210360A FRAME/STD,REMOTE-RADIO CONT.,HOOK-IN

Pos No.	Parts No	Parts Name	Qty	Unit	Technical Data	Serial No (Start)	Serial N
10	36804914000	BOX,STOWING	1				

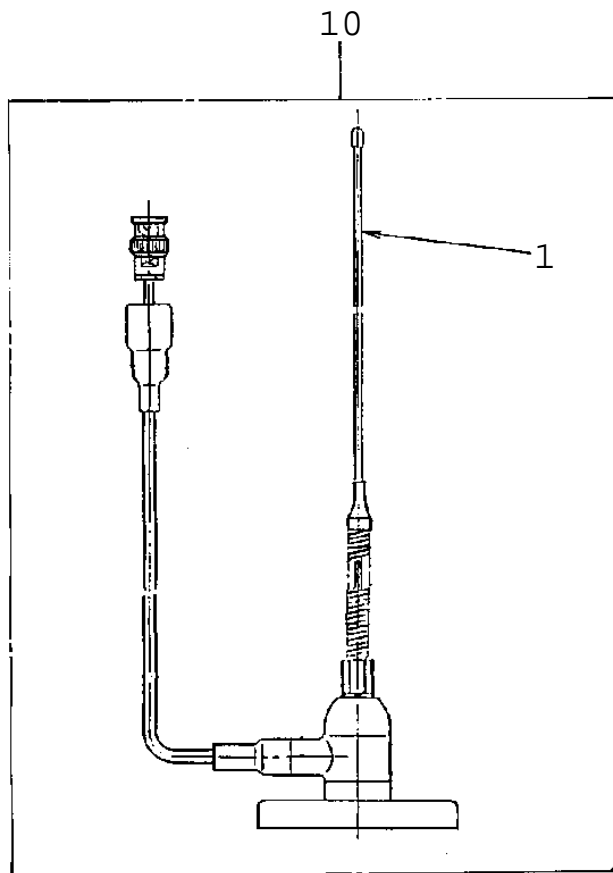
TM-ZF360 41102210360A FRAME/STD,REMOTE-RADIO CONT.,HOOK-IN
PV1300007-00 CABLE,REMOTE CONTROL (T,OPTION 20M)



TM-ZF360 41102210360A FRAME/STD,REMOTE-RADIO CONT.,HOOK-IN

Pos No.	Parts No	Parts Name	Qty	Unit	Technical Data	Ser
1	36800280000	CABLE,REMOTE CONTROL (T,OPTION 20M)	1			

TM-ZF360 41102210360A FRAME/STD,REMOTE-RADIO CONT.,HOOK-IN
PV1400011-00 ANTENNA (15M.TRAVELLING TYPE A,B)

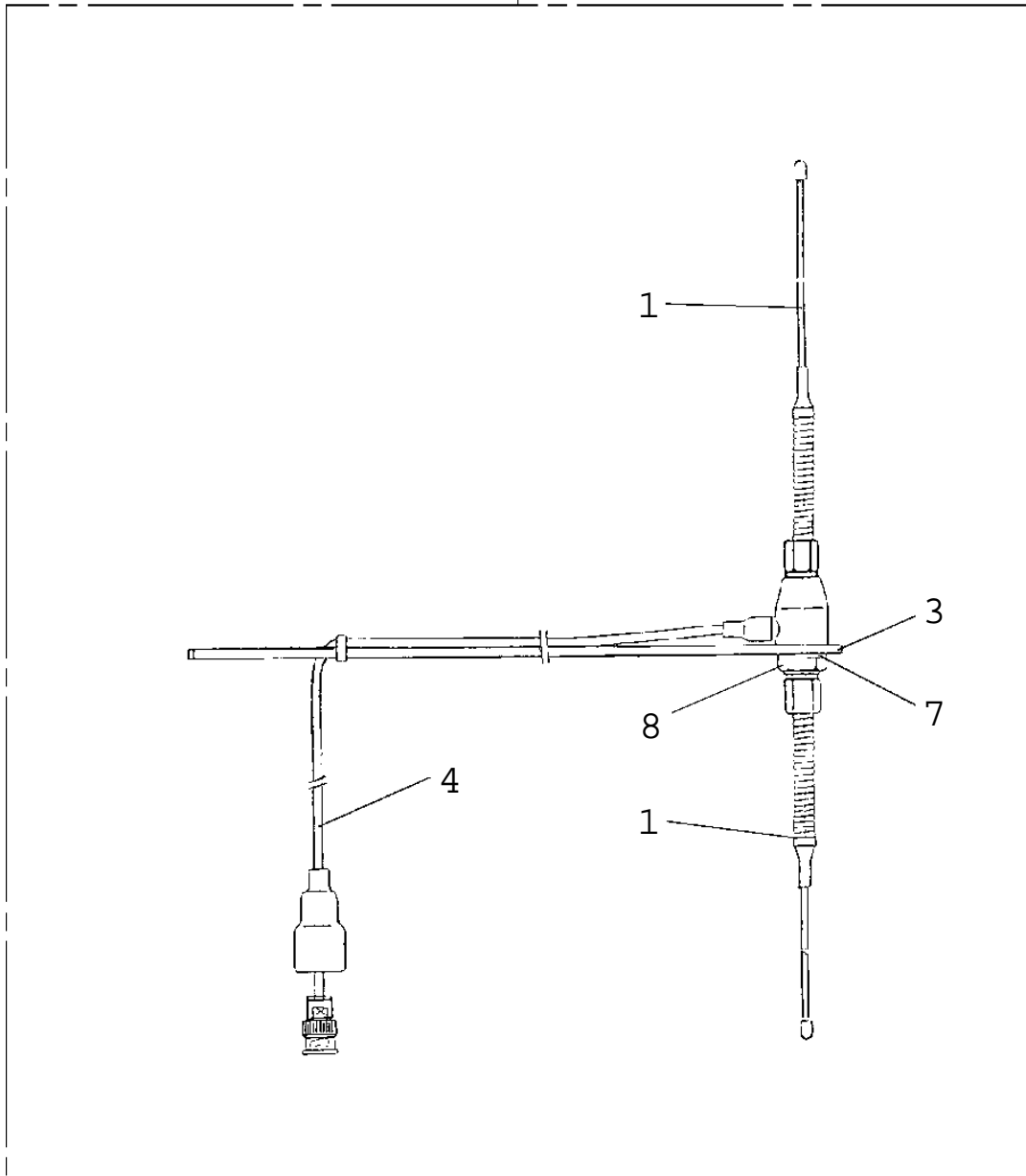


TM-ZF360 41102210360A FRAME/STD,REMOTE-RADIO CONT.,HOOK-IN

Pos No.	Parts No	Parts Name	Qty	Unit	Technical Data	Ser
1	36800335010	ELEMENT,ANTENNA (FLEXIBLE,TYPE A,B)	1			
10	36800150000	ANTENNA (15M.TRAVELLING TYPE A,B)	1			

TM-ZF360 41102210360A FRAME/STD,REMOTE-RADIO CONT.,HOOK-IN
PV1400014-02 ANTENNA (FOR RADIO CONTROL)

10

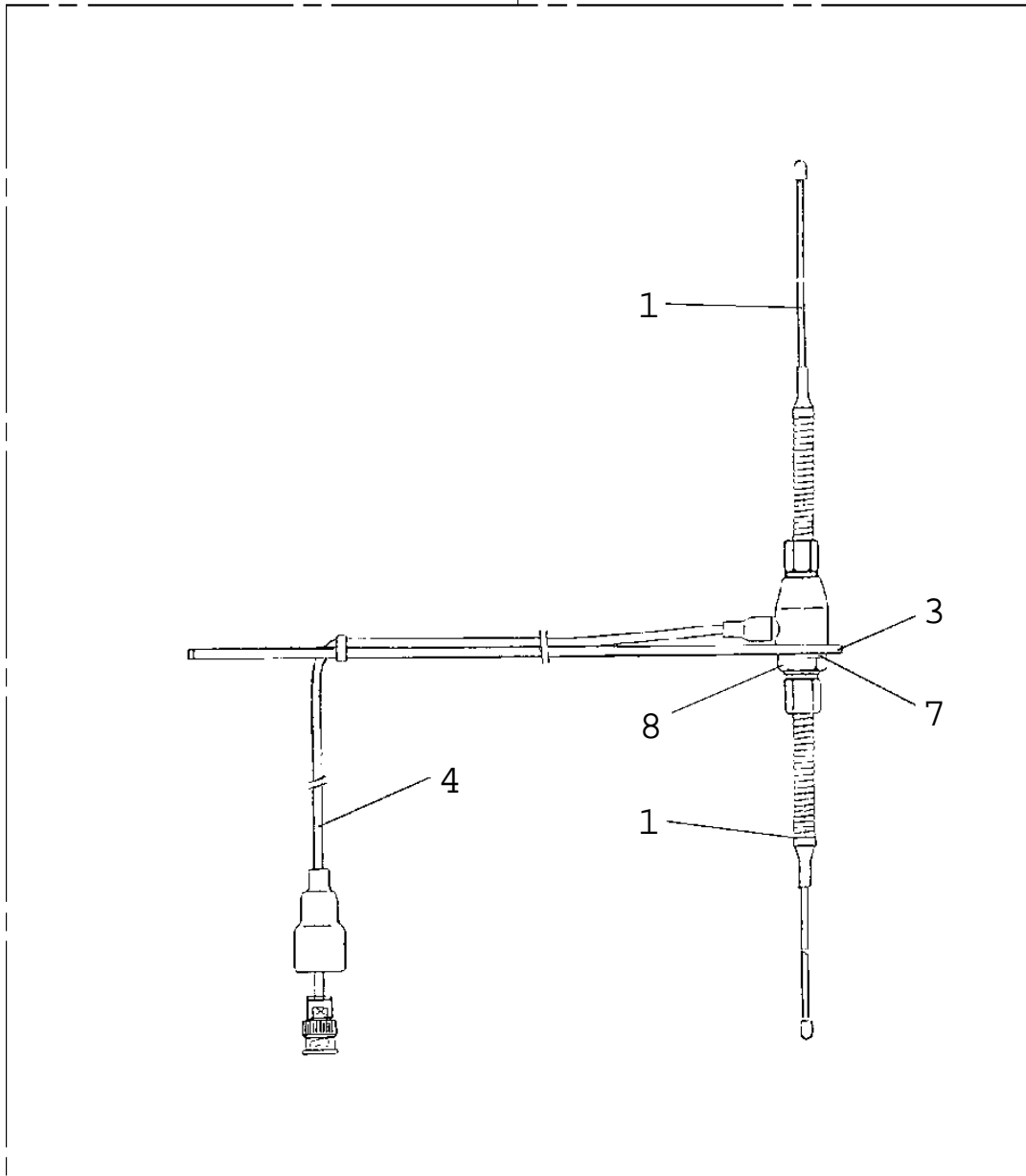


TM-ZF360 41102210360A FRAME/STD,REMOTE-RADIO CONT.,HOOK-IN

Pos No.	Parts No	Parts Name	Qty	Unit	Technical Data	Ser
1	36800335010	ELEMENT,ANTENNA (FLEXIBLE,TYPE A,B)	2			
3	36800615010	ARM (28X300)	1			
4	36800145010	CABLE	1		10M	
	36800145011	CABLE	1		10M	KA1
7	36800145020	WASHER	1			
8	36800145030	NUT	1			
10	36800610000	ANTENNA (FOR RADIO CONTROL)	1			

TM-ZF360 41102210360A FRAME/STD,REMOTE-RADIO CONT.,HOOK-IN
PV1400014-02 ANTENNA (FOR RADIO CONTROL)

10

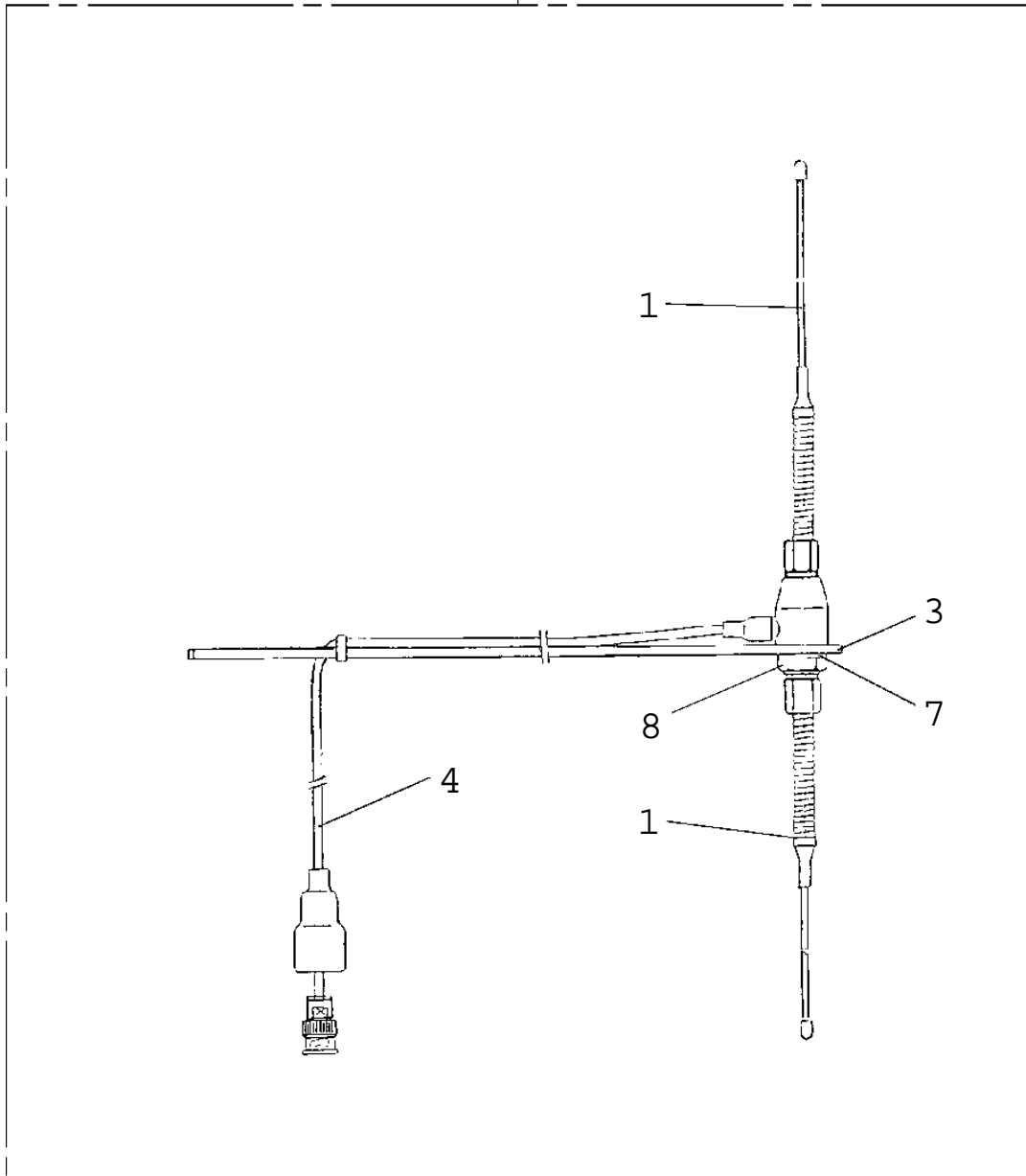


TM-ZF360 41102210360A FRAME/STD,REMOTE-RADIO CONT.,HOOK-IN

Pos No.	Parts No	Parts Name	Qty	Unit	Technical Data	Ser
1	36800335010	ELEMENT,ANTENNA (FLEXIBLE,TYPE A,B)	2			
3	36800615010	ARM (28X300)	1			
4	36800625010	CABLE	1		8M	
	36800625011	CABLE	1		8M	KA1
7	36800145020	WASHER	1			
8	36800145030	NUT	1			
10	36800620000	ANTENNA (FOR RADIO CONTROL)	1			

TM-ZF360 41102210360A FRAME/STD,REMOTE-RADIO CONT.,HOOK-IN
PV1400014-02 ANTENNA (FOR RADIO CONTROL)

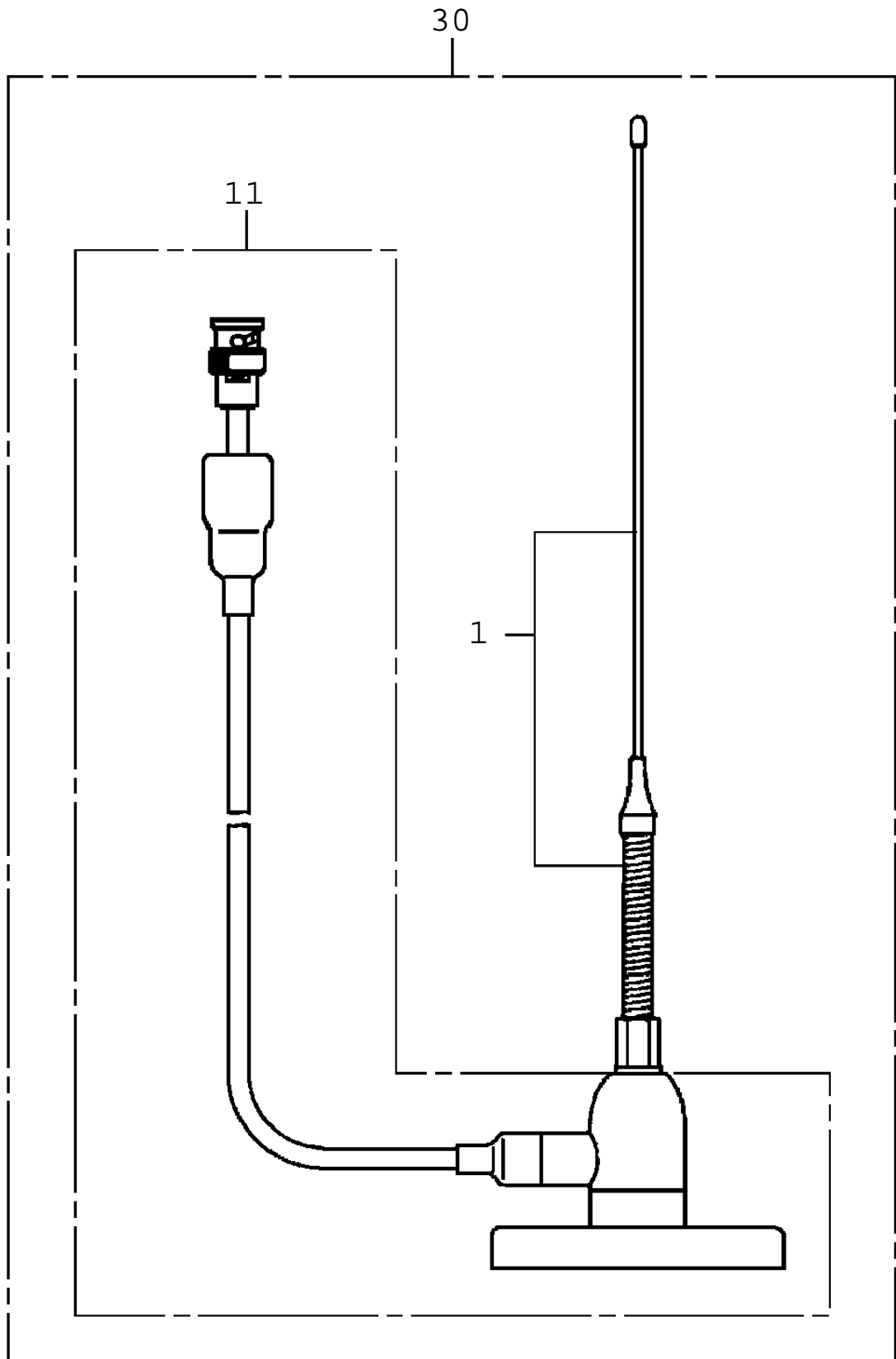
10



TM-ZF360 41102210360A FRAME/STD,REMOTE-RADIO CONT.,HOOK-IN

Pos No.	Parts No	Parts Name	Qty	Unit	Technical Data	Ser
1	36801465010	ELEMENT,ANTENNA (FLEXIBLE,TYPE D,E)	2			
3	36800615010	ARM (28X300)	1			
4	36800145010	CABLE	1		10M	
	36800145011	CABLE	1		10M	KA1
7	36800145020	WASHER	1			
8	36800145030	NUT	1			
10	36801460000	ANTENNA (FOR RADIO CONTROL)	1			

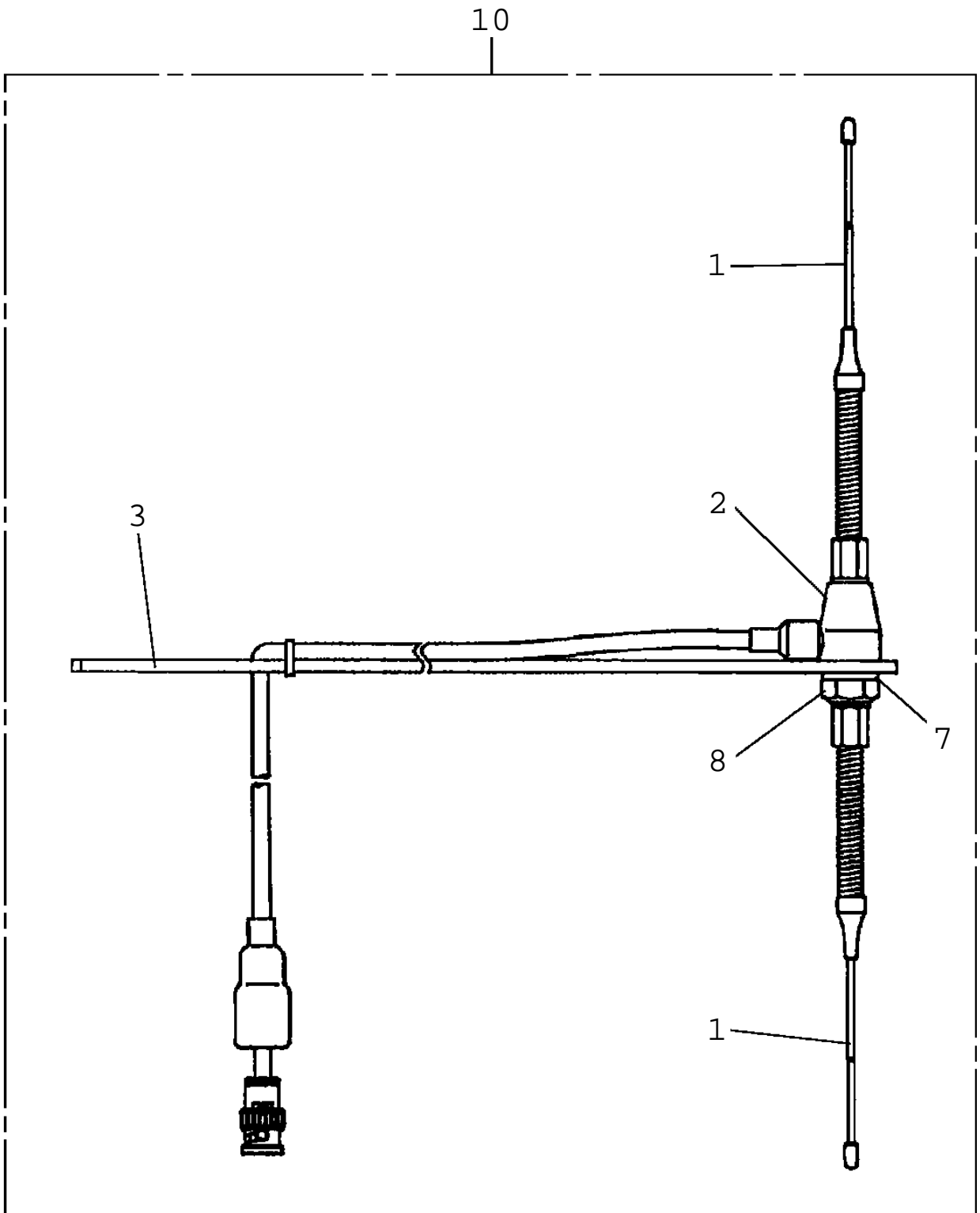
TM-ZF360 41102210360A FRAME/STD,REMOTE-RADIO CONT.,HOOK-IN
PV1400024-01 ANTENNA (15M.TRAVELLING TYPE C,D,E)



TM-ZF360 41102210360A FRAME/STD,REMOTE-RADIO CONT.,HOOK-IN

Pos No.	Parts No	Parts Name	Qty	Unit	Technical Data	Ser
1	36802765010	ELEMENT,ANTENNA (FLEXIBLE)	1			
11	36802765020	CABLE ASSY (WITH MAGNET COVER)	1			
30	36802760000	ANTENNA (15M.TRAVELLING TYPE C,D,E)	1			

TM-ZF360 41102210360A FRAME/STD,REMOTE-RADIO CONT.,HOOK-IN
PV1400030-01 ANTENNA



TM-ZF360 41102210360A FRAME/STD,REMOTE-RADIO CONT.,HOOK-IN

Pos No.	Parts No	Parts Name	Qty	Unit	Technical Data	Ser
1	36801465010	ELEMENT,ANTENNA (FLEXIBLE,TYPE D,E)	2			
	36801465010	ELEMENT,ANTENNA (FLEXIBLE,TYPE D,E)	2			
2	36802105020	CABLE ASSY	1		8M	
	36802105020	CABLE ASSY	1		8M	
3	36800615010	ARM (28X300)	1			
	36800615010	ARM (28X300)	1			
7	36800145020	WASHER	1			
	36800145020	WASHER	1			
8	36800145030	NUT	1			
	36800145030	NUT	1			
10	36802100000	ANTENNA	1			
	36802100000	ANTENNA	1			

Select the antenna according to
 the vehicle to be mounted on.
 (架装する車により、下表からアンテナを選定して下さい。)

Antenna selection
 (アンテナ選定表)

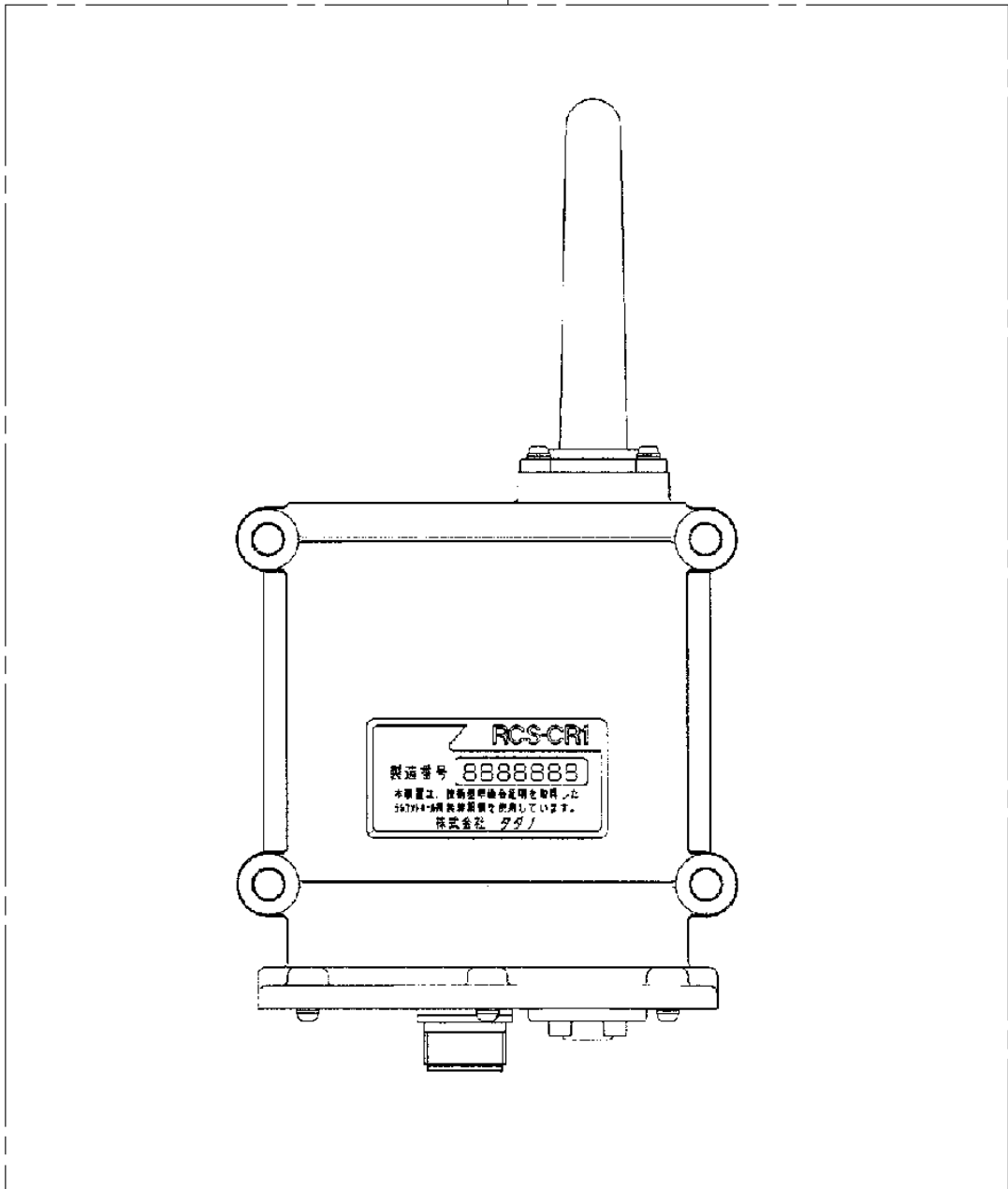
Vehicle to be mounted on (架装車)	
Large-size cab (大型車架装)	1 MITSUBISHI KC-FU,FV,FS,FY,FP5**
	2 MITSUBISHI U-FM6**,KC-FM6**
	3 Others (上記以外の車種)
Middle-size cab (中型車架装)	4 HINO KC-FC
	5 HINO KK-FD,FC
	6 MITSUBISHI U-FK61*,FL61**
	7 MITSUBISHI KC-FH,FK7
	8 MITSUBISHI KC-FK6,FL6
	9 ISUZU SKW***
	10 Others (上記以外の車種)
Day cab (小型車架装)	11 MITSUBISHI KC-FE5**,FE6**
	12 MITSUBISHI KK-FE7**
	13 MITSUBISHI U-FE5**,FE6**
	14 TOYOTA KK-XZU3*,BU3* (STD CAB)
	15 TOYOTA KK-XZU3*,BU4* (WIDE CAB)
	16 Others (上記以外の車種)
	17 Others (上記以外の車種) (ZF100,200 ZR100,200)

TM-ZF360 41102210360A FRAME/STD,REMOTE-RADIO CONT.,HOOK-IN

Pos No.	Parts No	Parts Name	Qty	Unit	Technical Da
1	(***** *****)	MOUNT,ANTENNA (RADIO CONTROL,D.E-TYPE)	1		
	(***** *****)	MOUNT,ANTENNA (FREQUENCY A.B)	1		
2	(***** *****)	MOUNT,ANTENNA (RADIO CONTROL,D.E-TYPE)	1		
3	(***** *****)	MOUNT,ANTENNA (RADIO CONTROL,C-TYPE)	1		
	(***** *****)	MOUNT,ANTENNA (RADIO CONTROL,TYPE-A)	1		
4	(***** *****)	MOUNT,ANTENNA (RADIO CONTROL,D.E-TYPE)	1		
	(***** *****)	MOUNT,ANTENNA (FREQUENCY A.B)	1		
5	(***** *****)	MOUNT,ANTENNA (FREQUENCY D.E)	1		
6	(***** *****)	MOUNT,ANTENNA (FREQUENCY A.B)	1		
7	(***** *****)	MOUNT,ANTENNA (RADIO CONTROL,D.E-TYPE)	1		
	(***** *****)	MOUNT,ANTENNA (FREQUENCY A.B)	1		
8	(***** *****)	MOUNT,ANTENNA (RADIO CONTROL,D.E-TYPE)	1		
9	(***** *****)	MOUNT,ANTENNA	1		
10	(***** *****)	MOUNT,ANTENNA (RADIO CONTROL,D.E-TYPE)	1		
	(***** *****)	MOUNT,ANTENNA (FOR RADIO CONTROL)	1		
	(***** *****)	MOUNT,ANTENNA (FREQUENCY D.E/MOUNT,GUARD)	1		
	(***** *****)	MOUNT,ANTENNA (FREQUENCY A.B/MOUNT,GUARD)	1		
11	(***** *****)	MOUNT,ANTENNA (RADIO CONTROL,D.E-TYPE)	1		
12	(***** *****)	MOUNT,ANTENNA (FREQUENCY D.E)	1		
13	(***** *****)	MOUNT,ANTENNA (FREQUENCY A.B)	1		
14	(***** *****)	MOUNT,ANTENNA (FREQUENCY D.E)	1		
15	(***** *****)	MOUNT,ANTENNA (FREQUENCY D.E)	1		
16	(***** *****)	MOUNT,ANTENNA (RADIO CONTROL)	1		
	(***** *****)	MOUNT,ANTENNA (FREQUENCY A.B/MOUNT,GUARD)	1		
	(***** *****)	MOUNT,ANTENNA (FREQUENCY D.E/MOUNT,GUARD)	1		
	(***** *****)	MOUNT,ANTENNA (RADIO CONTROL,D.E-TYPE)	1		
17	(***** *****)	MOUNT,ANTENNA (FREQUENCY A.B/MOUNT,GUARD)	1		
	(***** *****)	MOUNT,ANTENNA (FREQUENCY D.E/MOUNT,GUARD)	1		

TM-ZF360 41102210360A FRAME/STD,REMOTE-RADIO CONT.,HOOK-IN
PV1400034-00 ANTENNA (FOR RADIO CONTROL)

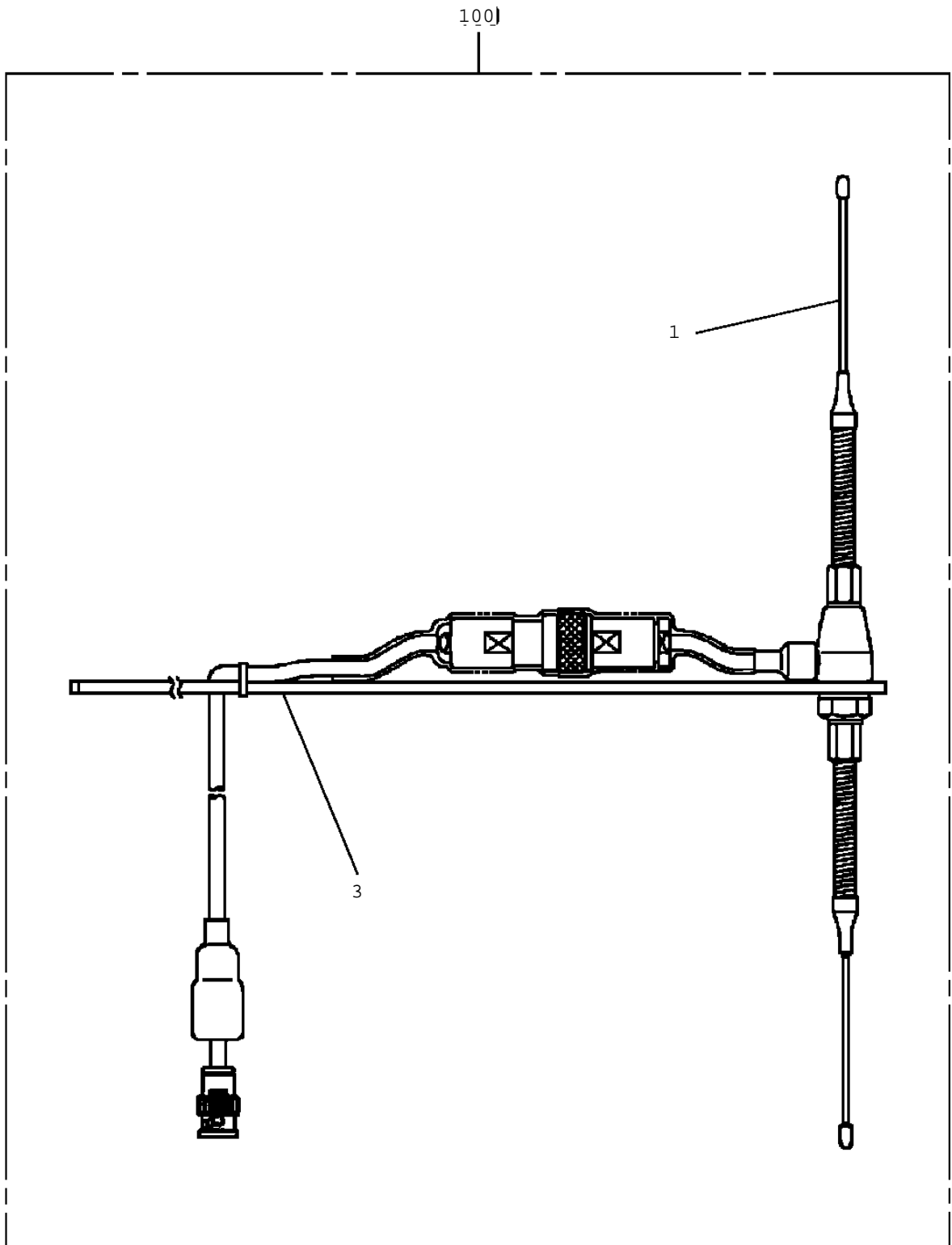
1



TM-ZF360 41102210360A FRAME/STD,REMOTE-RADIO CONT.,HOOK-IN

Pos No.	Parts No	Parts Name	Qty	Unit	Technical Data	Serial No (
1	36802862000	ANTENNA (FOR RADIO CONTROL)	1			

TM-ZF360 41102210360A FRAME/STD,REMOTE-RADIO CONT.,HOOK-IN
PV1400039-00 ANTENNA (FOR RADIO CONTROL)

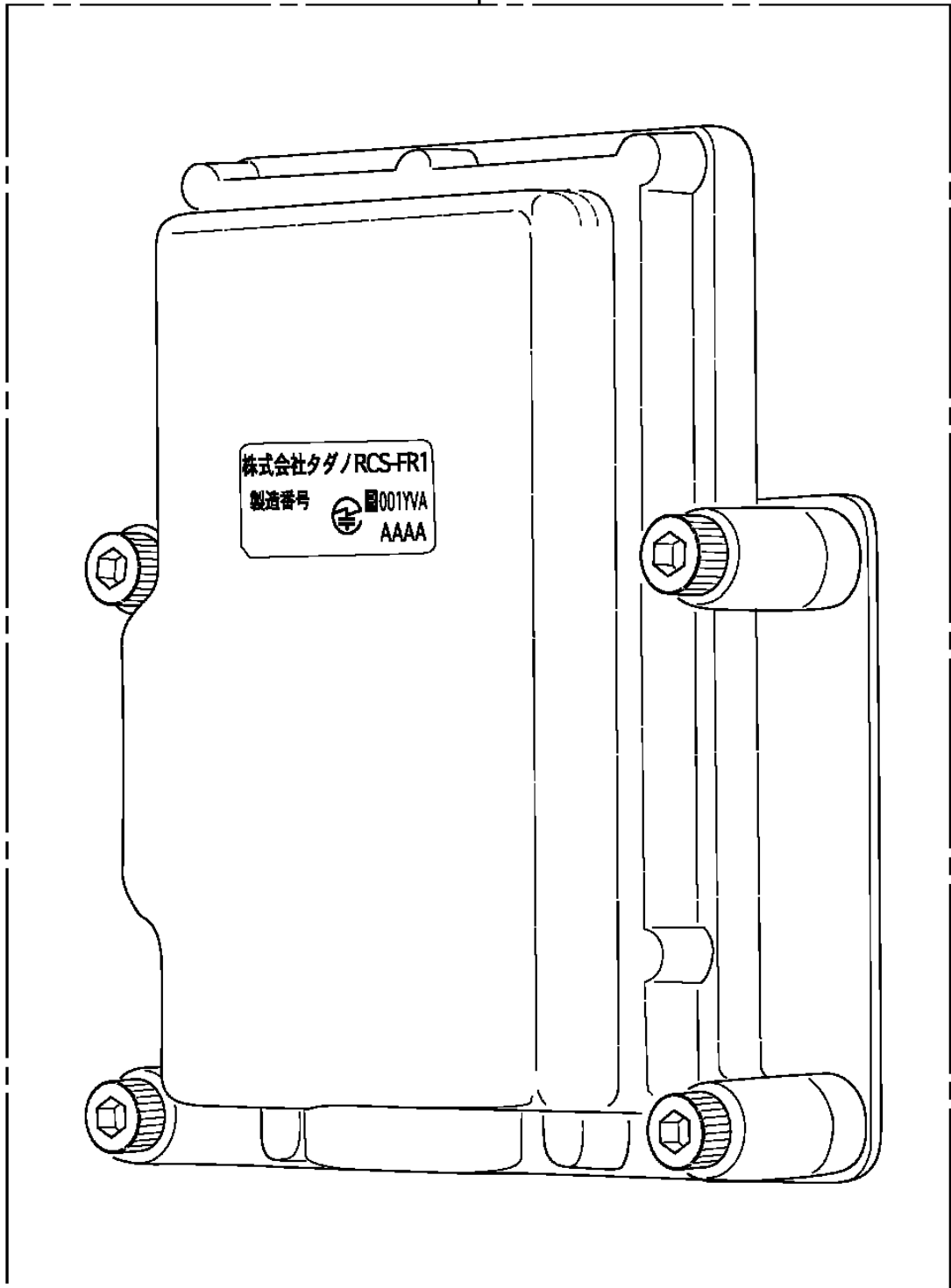


TM-ZF360 41102210360A FRAME/STD,REMOTE-RADIO CONT.,HOOK-IN

Pos No.	Parts No	Parts Name	Qty	Unit	Technical Data	Ser
1	36801465010	ELEMENT,ANTENNA (FLEXIBLE,TYPE D,E)	2			
3	36800615010	ARM (28X300)	1			
100	36802750000	ANTENNA (FOR RADIO CONTROL)	1			

TM-ZF360 41102210360A FRAME/STD,REMOTE-RADIO CONT.,HOOK-IN
PV1400042-00 ANTENNA (FOR RADIO CONTROL)

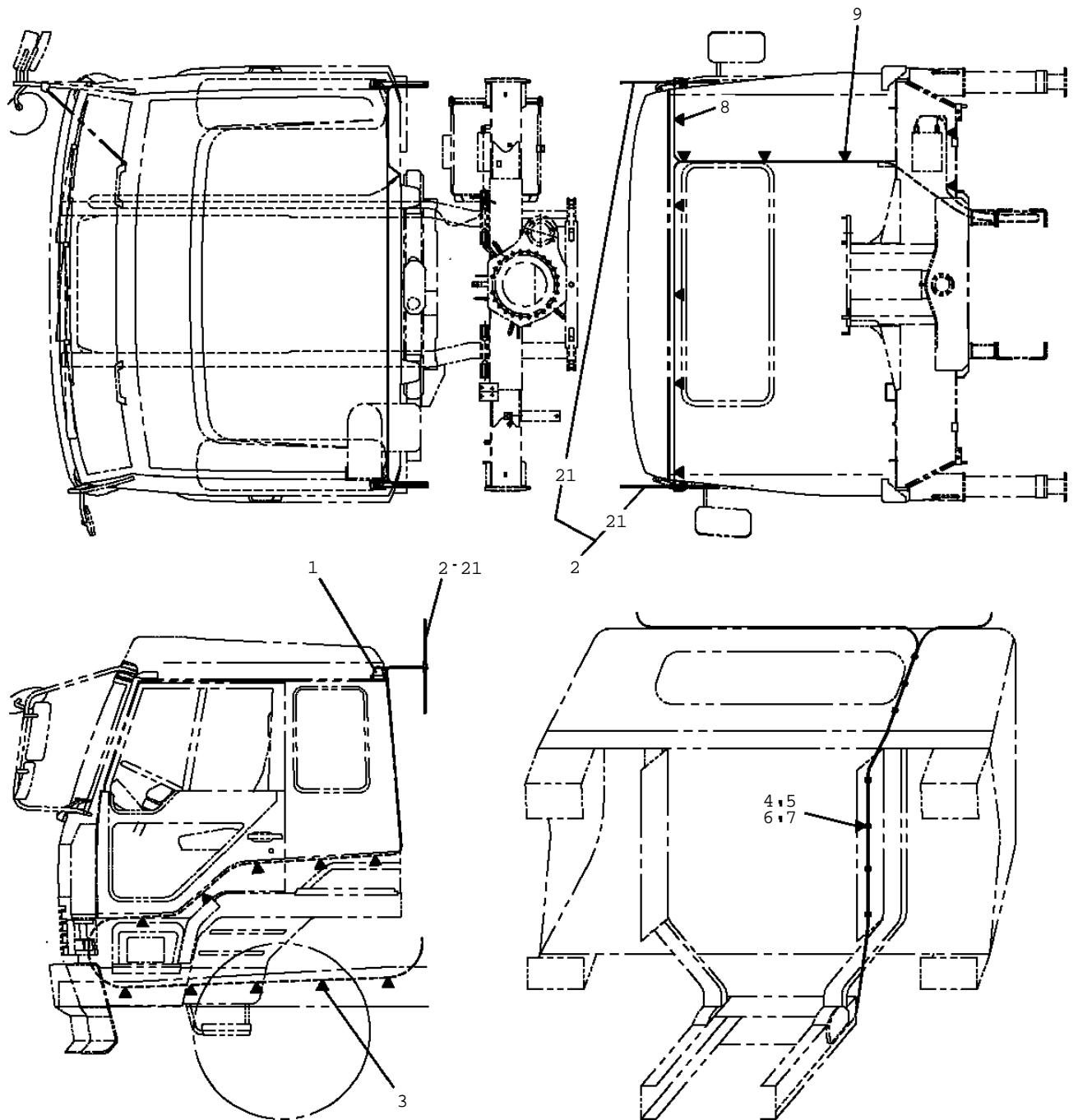
10



TM-ZF360 41102210360A FRAME/STD,REMOTE-RADIO CONT.,HOOK-IN

Pos No.	Parts No	Parts Name	Qty	Unit	Technical Data	Serial No (
10	36804912000	ANTENNA (FOR RADIO CONTROL)	1			

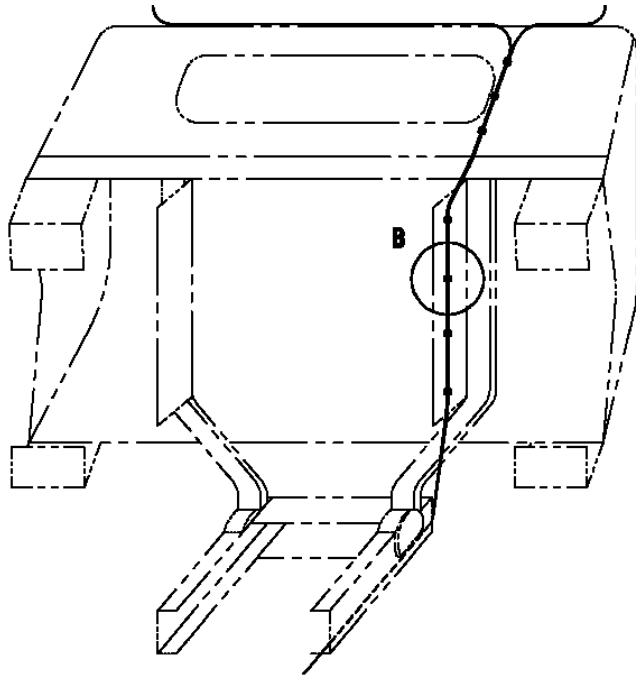
TM-ZF360 41102210360A FRAME/STD,REMOTE-RADIO CONT.,HOOK-IN
PV1410002-01 MOUNT,ANTENNA (RADIO CONTROL)



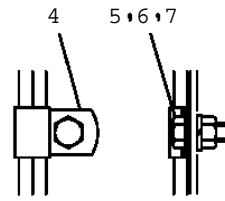
TM-ZF360 41102210360A FRAME/STD,REMOTE-RADIO CONT.,HOOK-IN

Pos No.	Parts No	Parts Name	Qty	Unit	Technical Data	Serial No (
1	31651781000	SUPPORT	2			
2	31651792000	ANTENNA (SET)	1			
3	91810130240	FASTENER	10			
4	82100002034	CLAMP	10		WEC6	
5	90191208020	BOLT	5		M8X20	
6	90264200800	NUT	5		M8	
7	90302040801	WASHER,SPRING	5		8	
8	82401600506	CLAMP	5			
9	82401600510	CLAMP	5		10	
21	36800620000	ANTENNA (FOR RADIO CONTROL)	2			

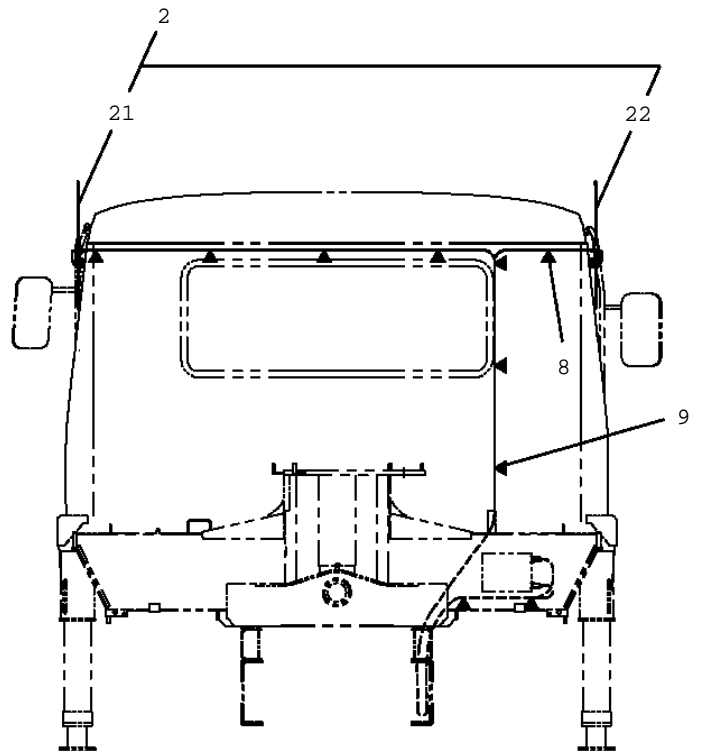
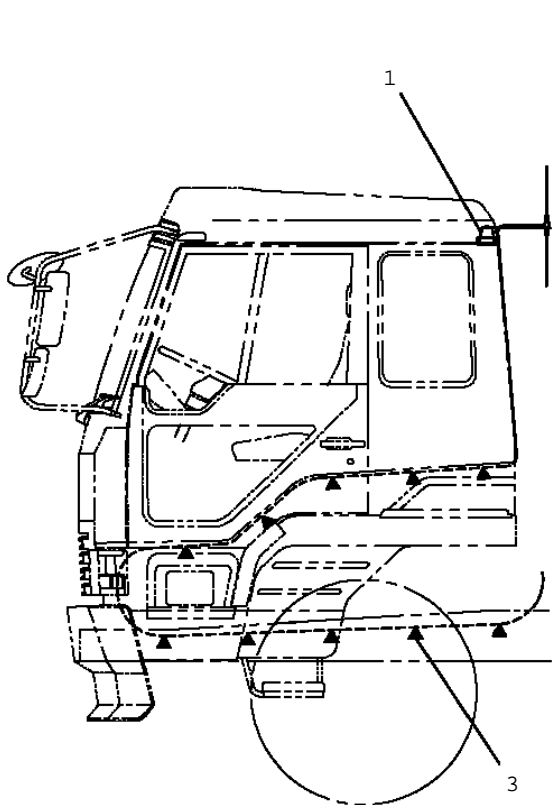
TM-ZF360 41102210360A FRAME/STD,REMOTE-RADIO CONT.,HOOK-IN
PV1410003-01 MOUNT,ANTENNA (FOR RADIO CONTROL)



A



B

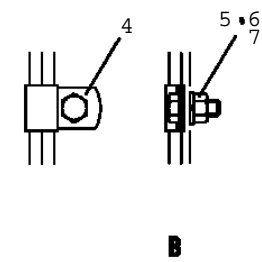
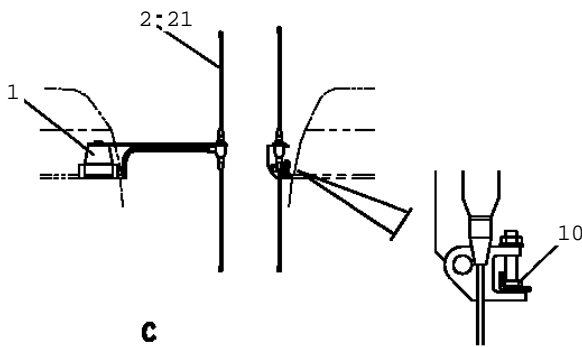
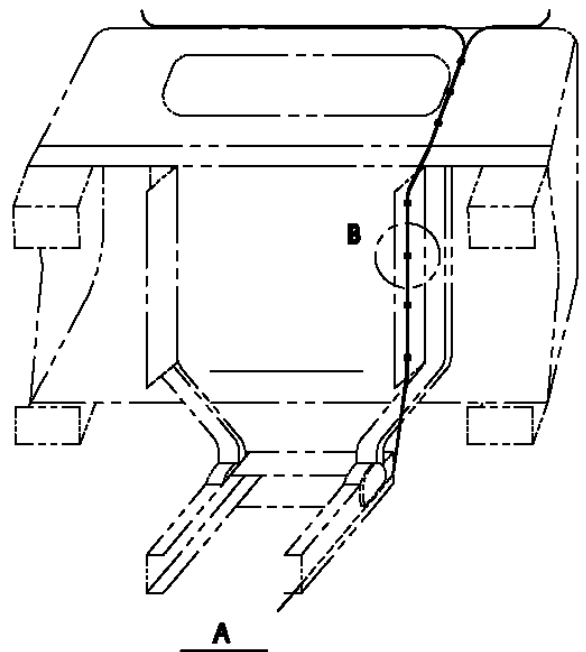
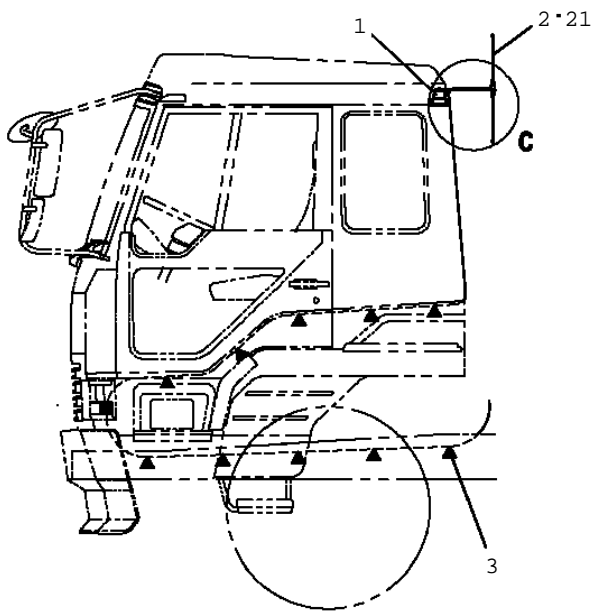
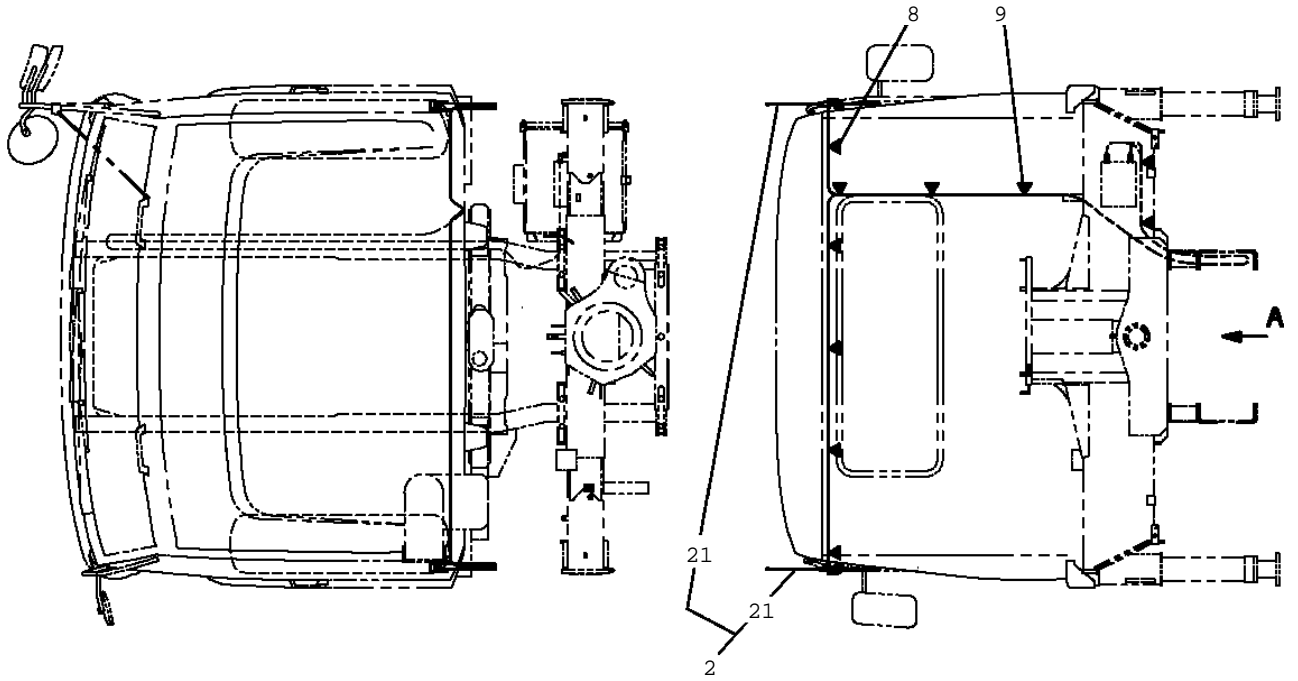


A

TM-ZF360 41102210360A FRAME/STD,REMOTE-RADIO CONT.,HOOK-IN

Pos No.	Parts No	Parts Name	Qty	Unit	Technical Data	Serial No (
1	31651781000	SUPPORT	2			
2	31651782000	ANTENNA (SET)	1			
3	91810130240	FASTENER	10			
4	82100002034	CLAMP	10		WEC6	
5	90191208020	BOLT	5		M8X20	
6	90264200800	NUT	5		M8	
7	90302040801	WASHER,SPRING	5		8	
8	82401600506	CLAMP	5			
9	82401600510	CLAMP	5		10	
21	36800610000	ANTENNA (FOR RADIO CONTROL)	1			
22	36800620000	ANTENNA (FOR RADIO CONTROL)	1			

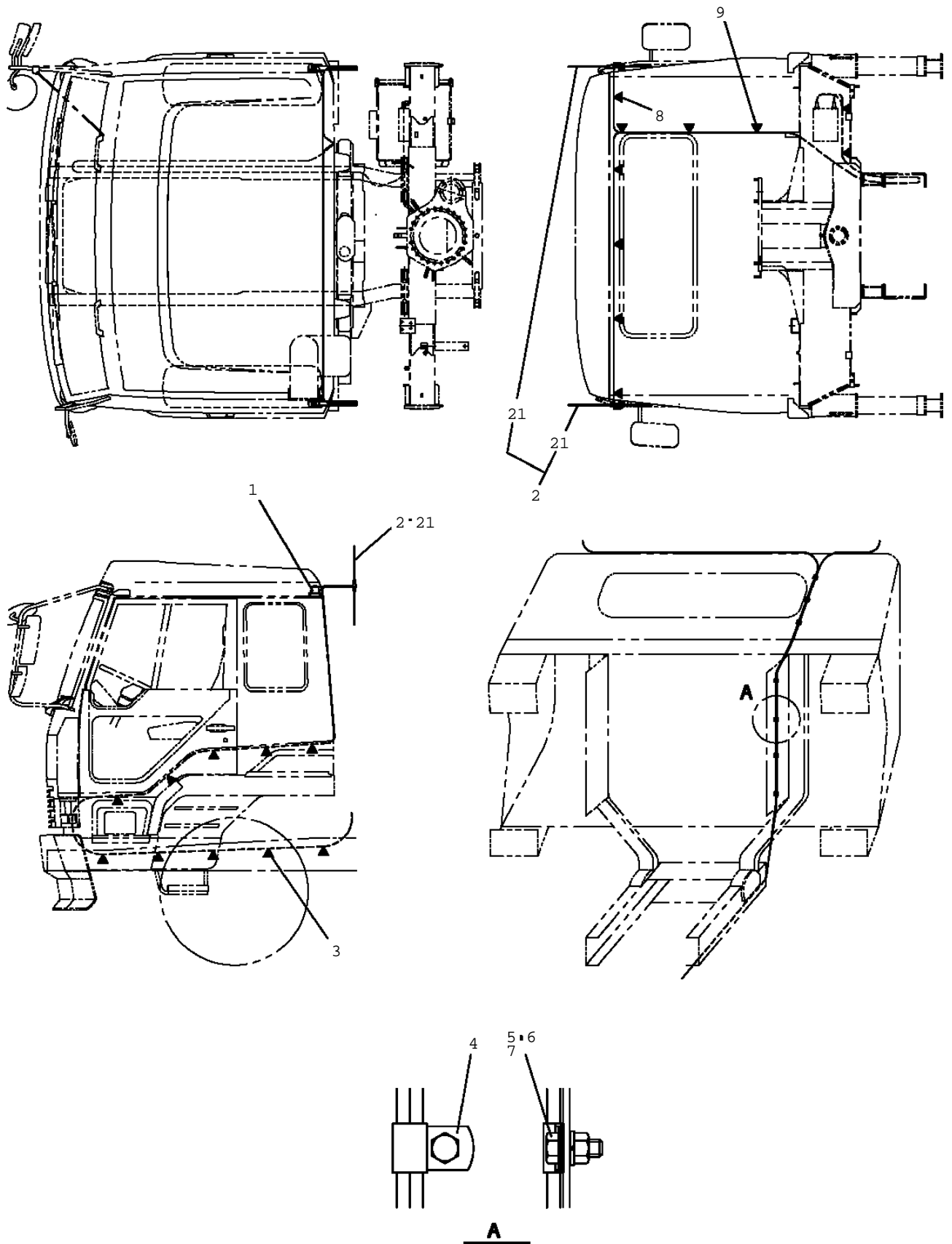
TM-ZF360 41102210360A FRAME/STD,REMOTE-RADIO CONT.,HOOK-IN
PV1410004-02 MOUNT,ANTENNA (RADIO CONTROL,C-TYPE)



TM-ZF360 41102210360A FRAME/STD,REMOTE-RADIO CONT.,HOOK-IN

Pos No.	Parts No	Parts Name	Qty	Unit	Technical Data	Serial No (
1	31651781000	SUPPORT	2			
2	31652452000	ANTENNA (SET)	1			
3	91810130240	FASTENER	10			
4	82100002034	CLAMP	10		WEC6	
5	90191208020	BOLT	5		M8X20	
6	90264200800	NUT	5		M8	
7	90302040801	WASHER,SPRING	5		8	
8	82401600506	CLAMP	5			
9	82401600510	CLAMP	5		10	
21	36801460000	ANTENNA (FOR RADIO CONTROL)	2			

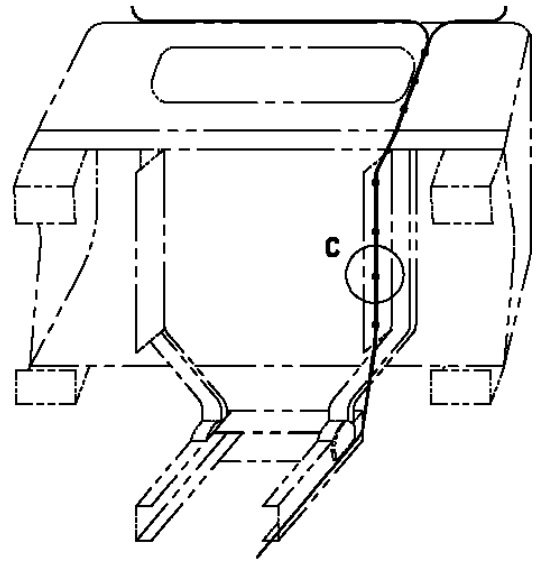
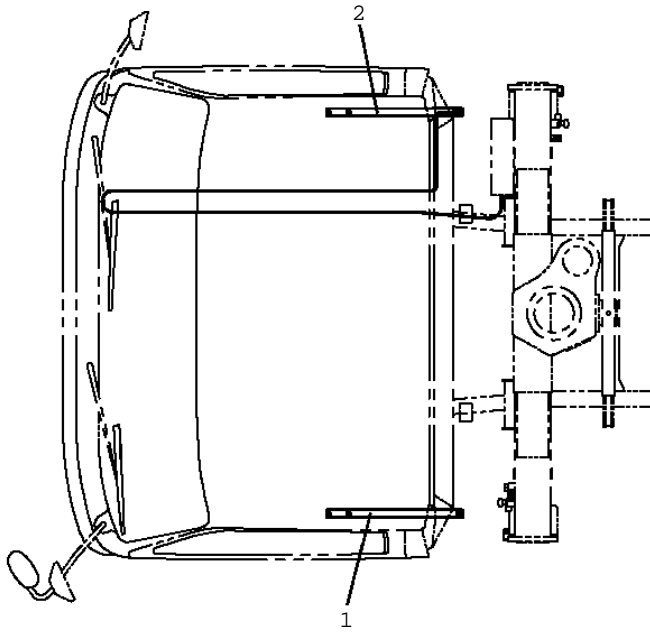
TM-ZF360 41102210360A FRAME/STD,REMOTE-RADIO CONT.,HOOK-IN
PV1410005-01 MOUNT,ANTENNA (RADIO CONTROL,TYPE-A)



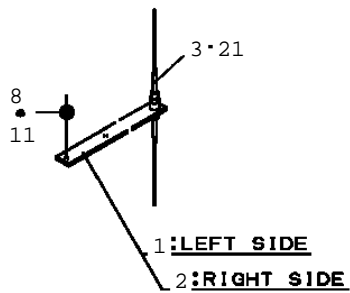
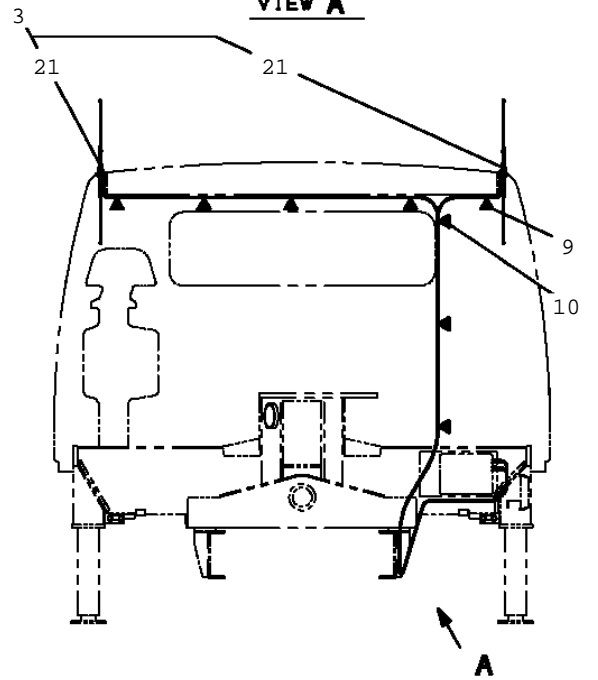
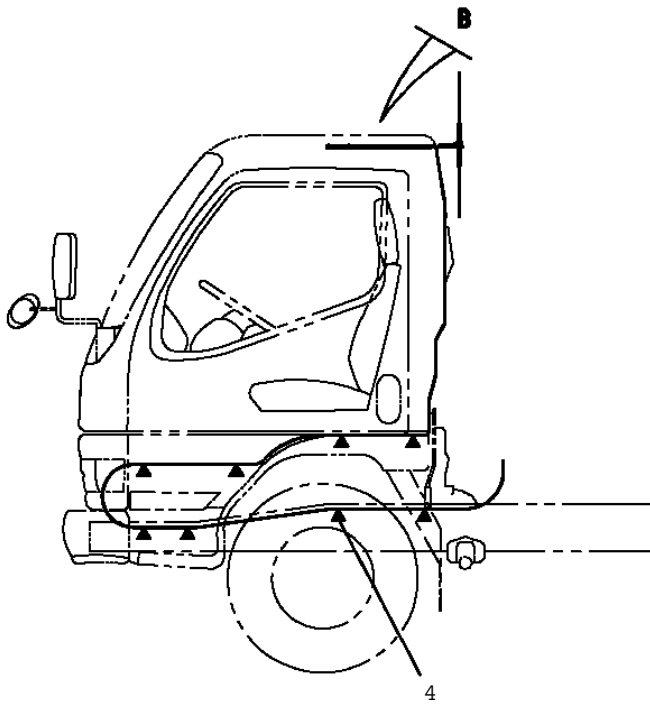
TM-ZF360 41102210360A FRAME/STD,REMOTE-RADIO CONT.,HOOK-IN

Pos No.	Parts No	Parts Name	Qty	Unit	Technical Data	Serial No (
1	31651781000	SUPPORT	2			
2	31651802000	ANTENNA (10M TYPE A,B)	1			
3	91810130240	FASTENER	10			
4	82100002034	CLAMP	10		WEC6	
5	90191208020	BOLT	5		M8X20	
6	90264200800	NUT	5		M8	
7	90302040801	WASHER,SPRING	5		8	
8	82401600506	CLAMP	5			
9	82401600510	CLAMP	5		10	
21	36800610000	ANTENNA (FOR RADIO CONTROL)	2			

TM-ZF360 41102210360A FRAME/STD,REMOTE-RADIO CONT.,HOOK-IN
 PV1410007-01 MOUNT,ANTENNA (RADIO CONTROL,D.E-TYPE)

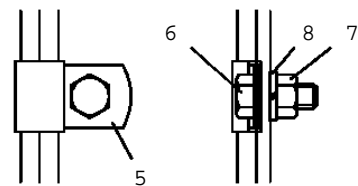


VIEW A



1:LEFT SIDE
2:RIGHT SIDE

B

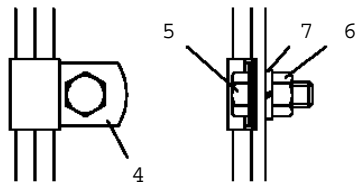
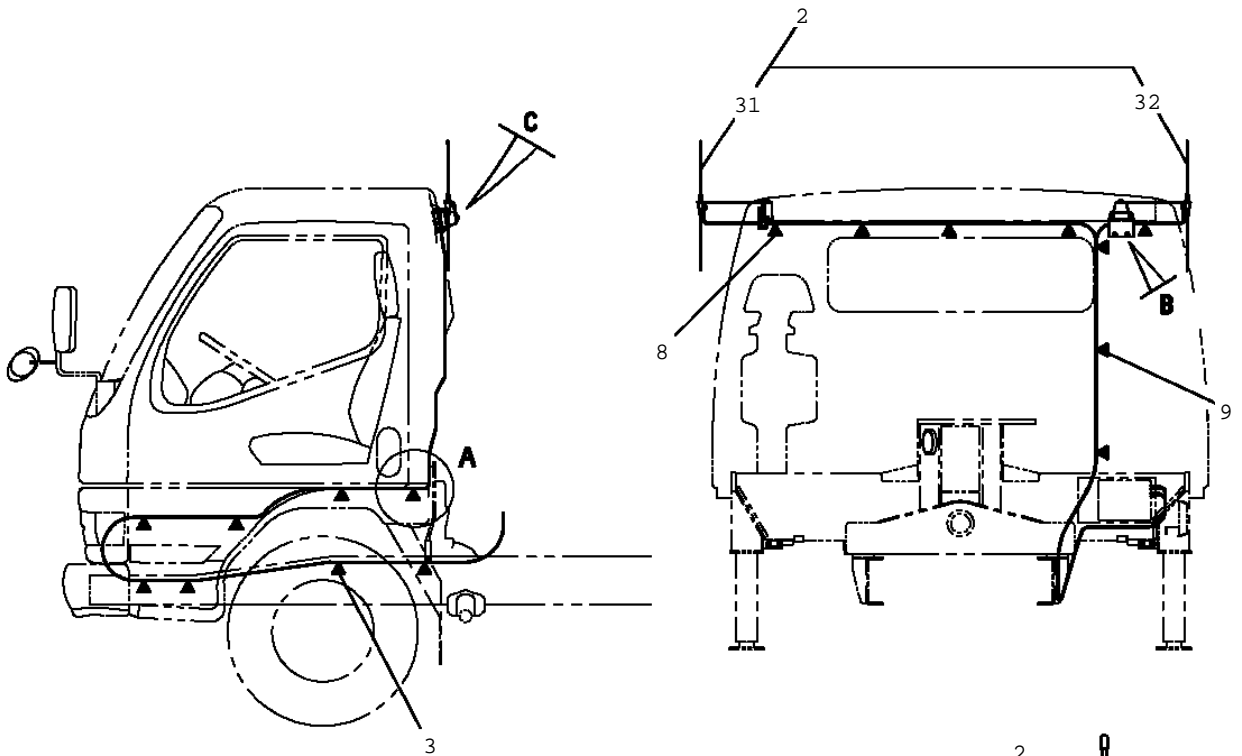


C

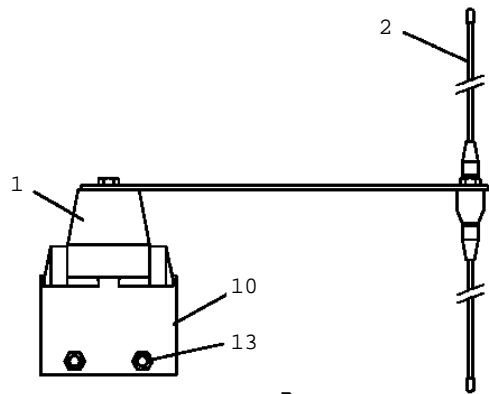
TM-ZF360 41102210360A FRAME/STD,REMOTE-RADIO CONT.,HOOK-IN

Pos No.	Parts No	Parts Name	Qty	Unit	Technical Data	Serial No (
1	31931190100	SUPPORT	1			
2	31931190200	SUPPORT	1			
3	31652452000	ANTENNA (SET)	1			
4	91810130240	FASTENER	10			
5	82100002034	CLAMP	10		WEC6	
6	90191208020	BOLT	7		M8X20	
7	90264200800	NUT	7		M8	
8	90302040801	WASHER,SPRING	11		8	
9	82401600506	CLAMP	10			
10	82401600510	CLAMP	10		10	
11	90303070801	WASHER,PLAIN	4		8	
21	36801460000	ANTENNA (FOR RADIO CONTROL)	2			

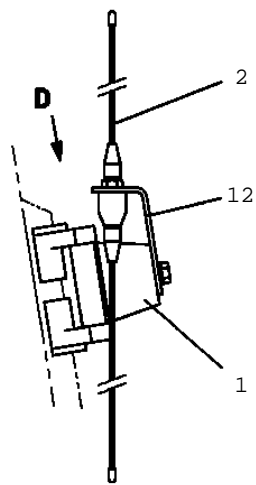
TM-ZF360 41102210360A FRAME/STD,REMOTE-RADIO CONT.,HOOK-IN
PV1410008-01 MOUNT,ANTENNA (RADIO CONTROL,D.E-TYPE)



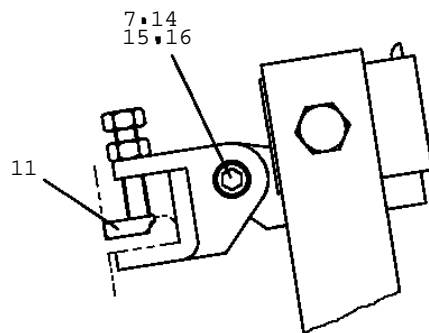
A



B



C

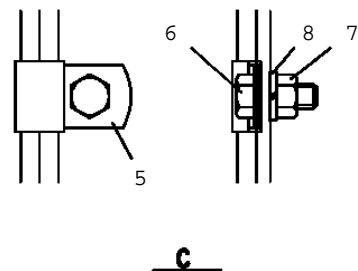
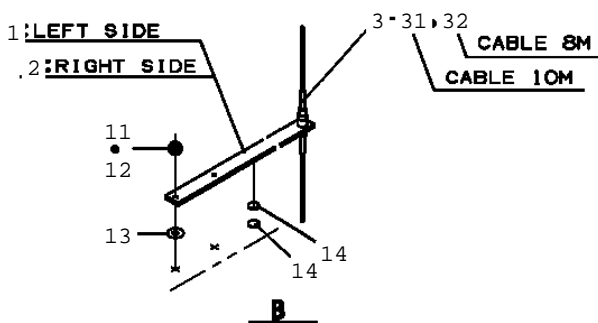
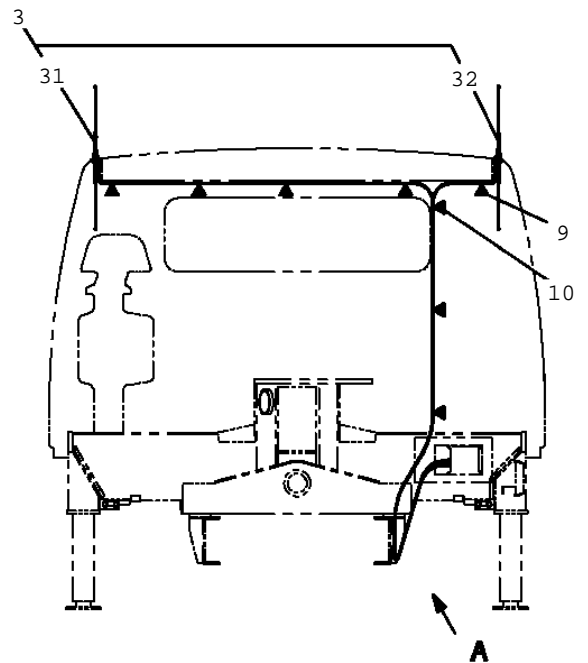
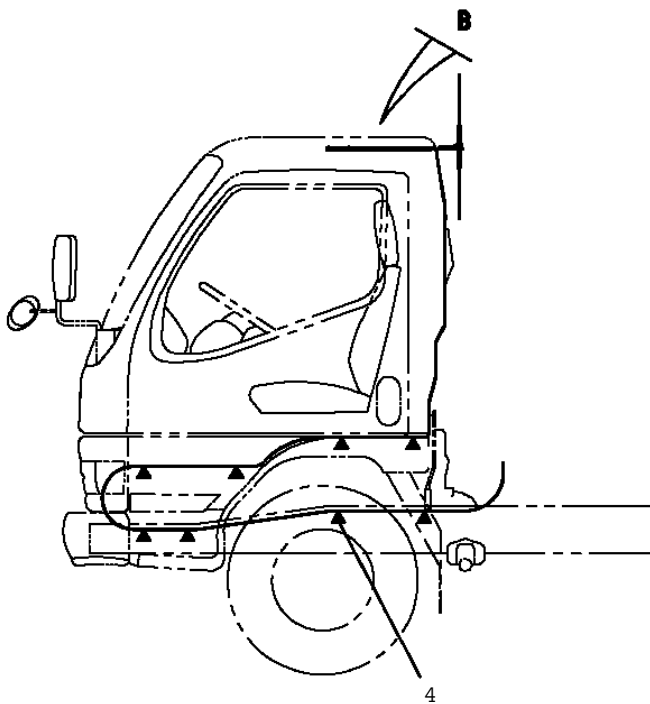
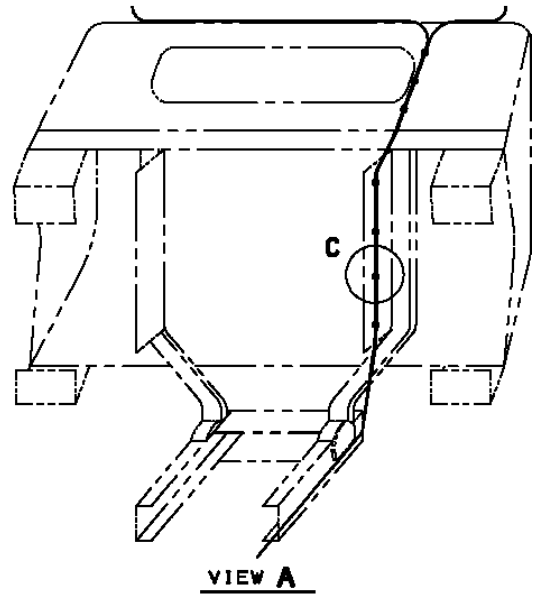
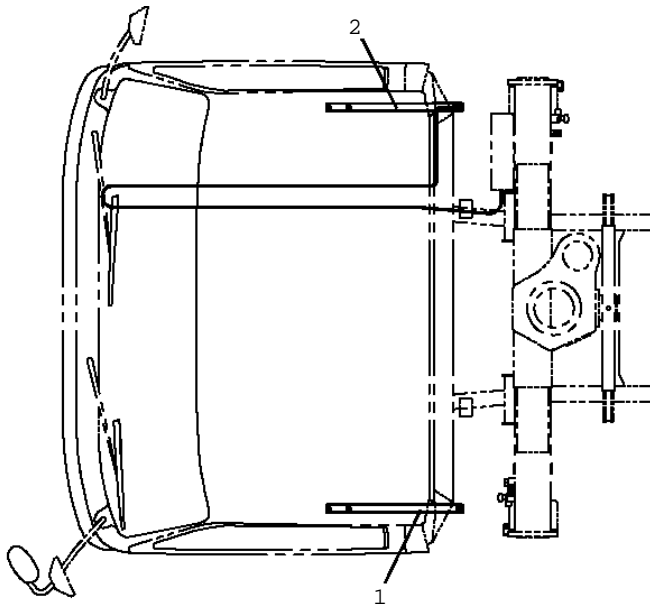


D

TM-ZF360 41102210360A FRAME/STD,REMOTE-RADIO CONT.,HOOK-IN

Pos No.	Parts No	Parts Name	Qty	Unit	Technical Data	Serial No (
1	31651781000	SUPPORT	2			
2	31652962000	ANTENNA (SET)	1			
3	91810130240	FASTENER	10			
4	82100002034	CLAMP	10		WEC6	
5	90191208020	BOLT	5		M8X20	
6	90264200800	NUT	5		M8	
7	90302040801	WASHER,SPRING	6		8	
8	82401600506	CLAMP	8			
9	82401600510	CLAMP	7		10	
10	31930390100	SUPPORT	1			
11	31930390200	PLATE	1			
12	31930390300	SUPPORT	1			
13	90209200800	NUT	2		M8	
14	90101208020	BOLT	1		M8X20	
15	90201200800	NUT	1		M8	
16	90303070801	WASHER,PLAIN	1		8	
31	36801460000	ANTENNA (FOR RADIO CONTROL)	1			
32	36802100000	ANTENNA	1			

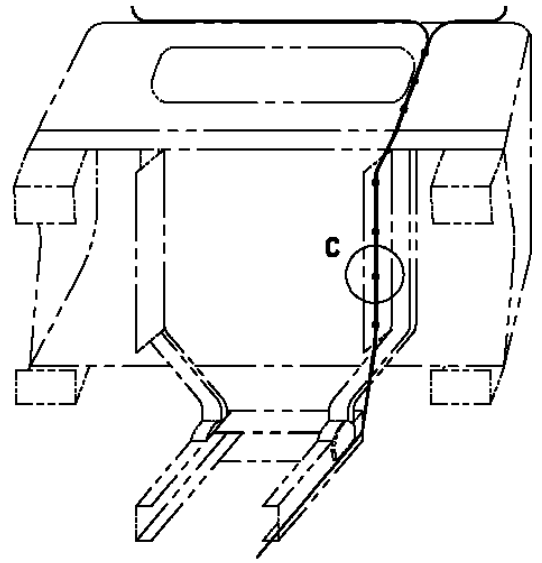
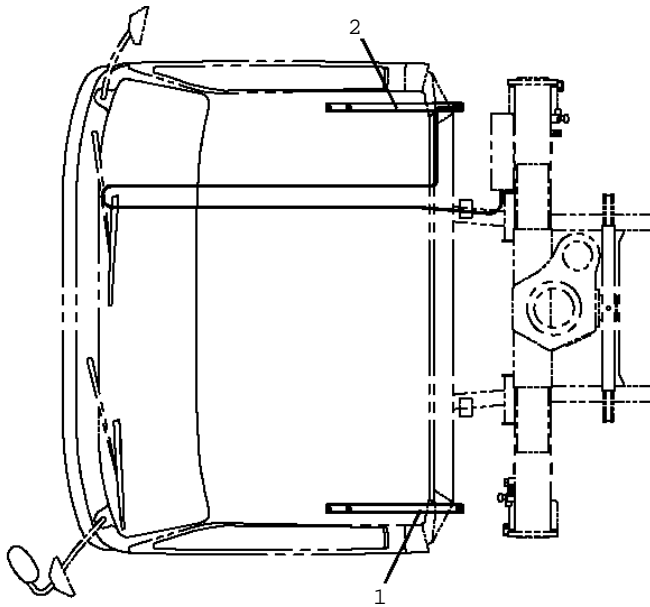
TM-ZF360 41102210360A FRAME/STD,REMOTE-RADIO CONT.,HOOK-IN
 PV1410009-01 MOUNT,ANTENNA (RADIO CONTROL,D.E-TYPE)



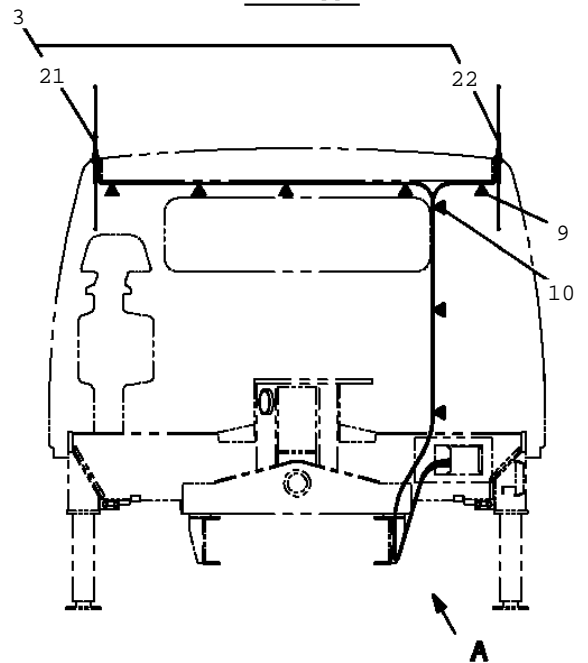
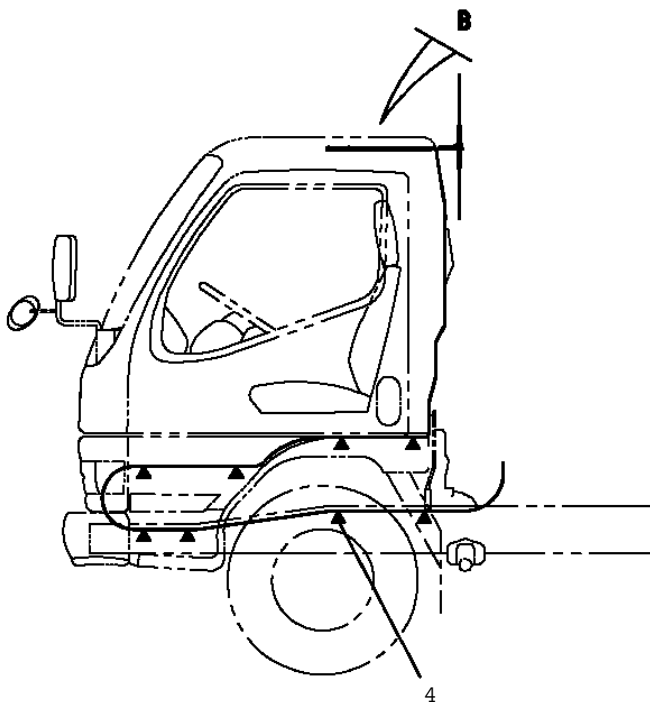
TM-ZF360 41102210360A FRAME/STD,REMOTE-RADIO CONT.,HOOK-IN

Pos No.	Parts No	Parts Name	Qty	Unit	Technical Data	Serial No (
1	31930530101	SUPPORT	1			
2	31930530201	SUPPORT	1			
3	31652962000	ANTENNA (SET)	1			
4	91810130240	FASTENER	10			
5	82100002034	CLAMP	10		WEC6	
6	90191208020	BOLT	5		M8X20	
7	90264200800	NUT	5		M8	
8	90302040801	WASHER,SPRING	5		8	
9	82401600506	CLAMP	5			
10	82401600510	CLAMP	5		10	
11	90190210025	BOLT	4		M10X25	
12	90302511001	WASHER,SPRING	4		10	
13	31930740300	PACKING	4			
14	31930530300	PACKING	4			
31	36801460000	ANTENNA (FOR RADIO CONTROL)	1			
32	36802100000	ANTENNA	1			

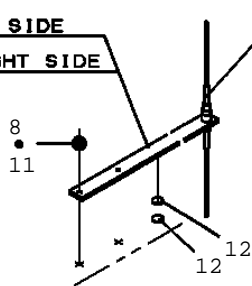
TM-ZF360 41102210360A FRAME/STD,REMOTE-RADIO CONT.,HOOK-IN
 PV1410010-01 MOUNT,ANTENNA (RADIO CONTROL,D.E-TYPE)



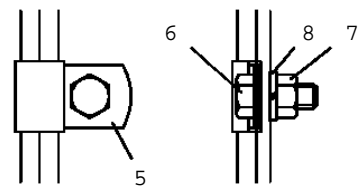
VIEW A



1:LEFT SIDE
 2:RIGHT SIDE
 3-21,22 CABLE 8M
 CABLE 10M



B

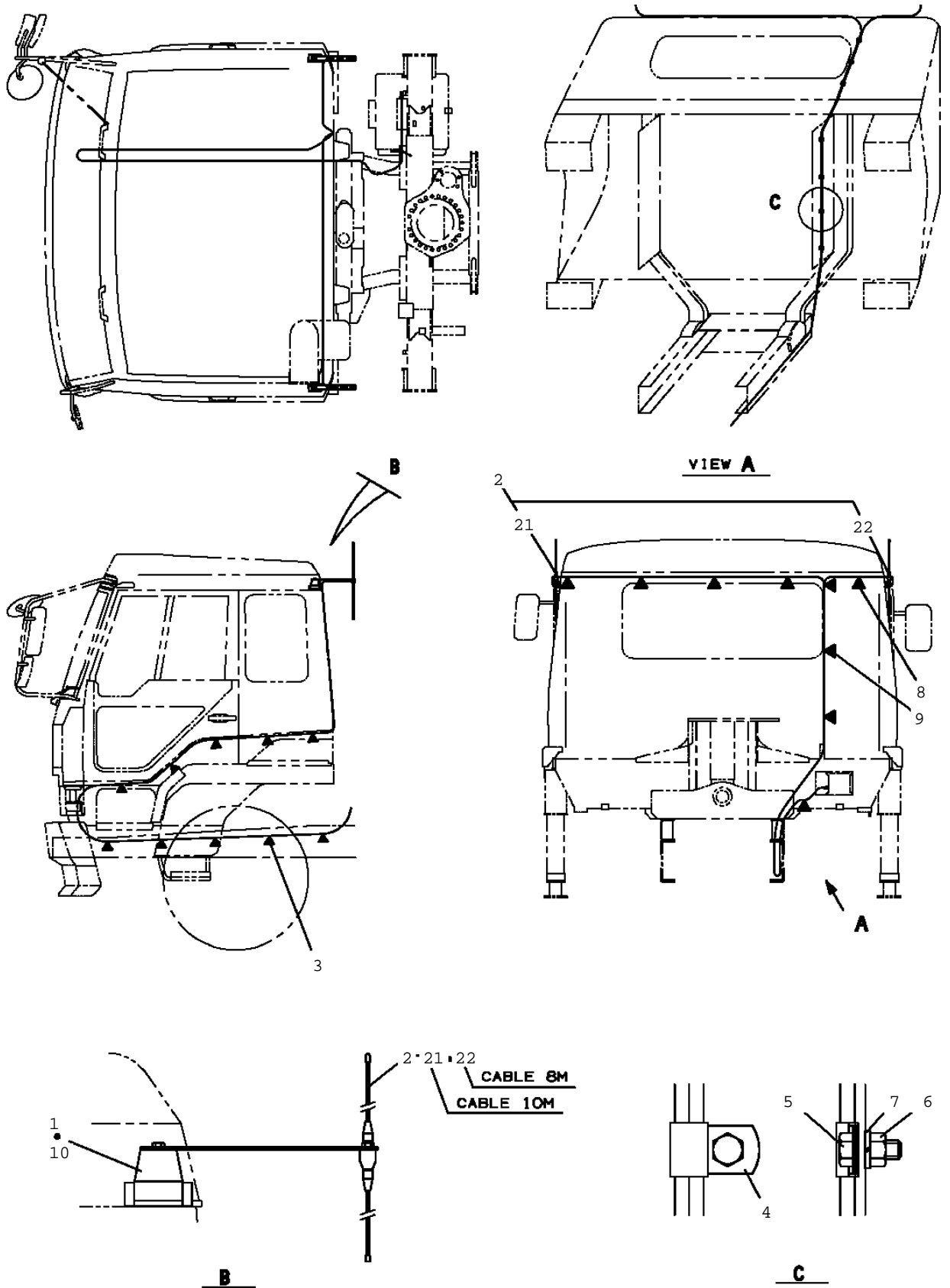


C

TM-ZF360 41102210360A FRAME/STD,REMOTE-RADIO CONT.,HOOK-IN

Pos No.	Parts No	Parts Name	Qty	Unit	Technical Data	Serial No (
1	31930530101	SUPPORT	1			
2	31930530201	SUPPORT	1			
3	31652962000	ANTENNA (SET)	1			
4	91810130240	FASTENER	10			
5	82100002034	CLAMP	10		WEC6	
6	90191208020	BOLT	7		M8X20	
7	90264200800	NUT	7		M8	
8	90302040801	WASHER,SPRING	11		8	
9	82401600506	CLAMP	5			
10	82401600510	CLAMP	5		10	
11	90303070801	WASHER,PLAIN	4		8	
12	31930530300	PACKING	4			
21	36801460000	ANTENNA (FOR RADIO CONTROL)	1			
22	36802100000	ANTENNA	1			

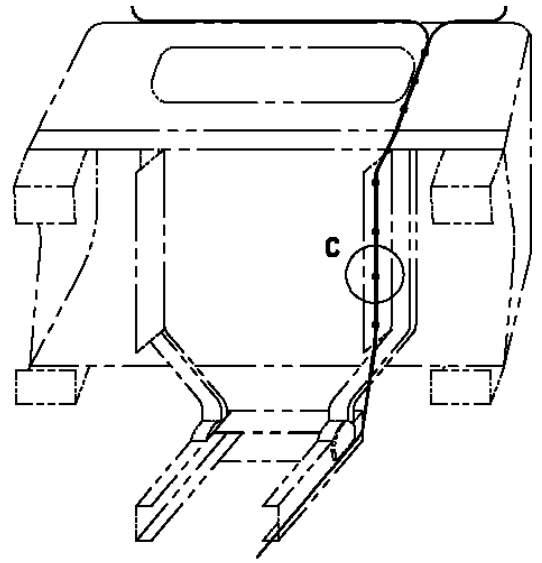
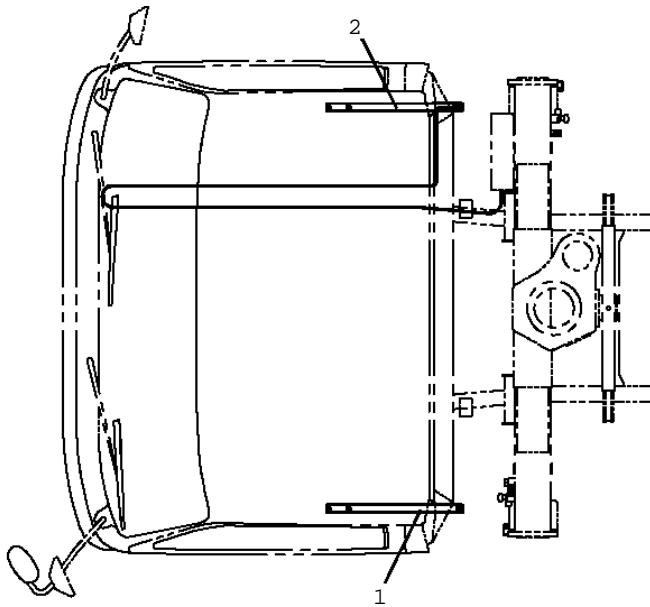
TM-ZF360 41102210360A FRAME/STD,REMOTE-RADIO CONT.,HOOK-IN
 PV1410012-02 MOUNT,ANTENNA (RADIO CONTROL,D.E-TYPE)



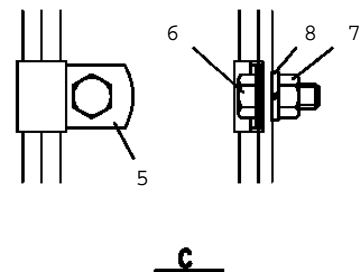
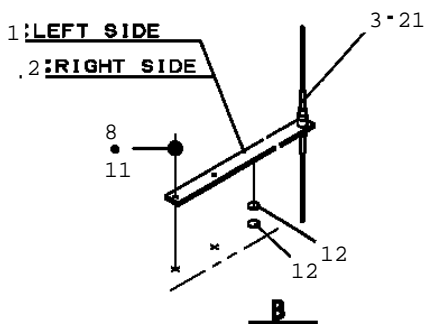
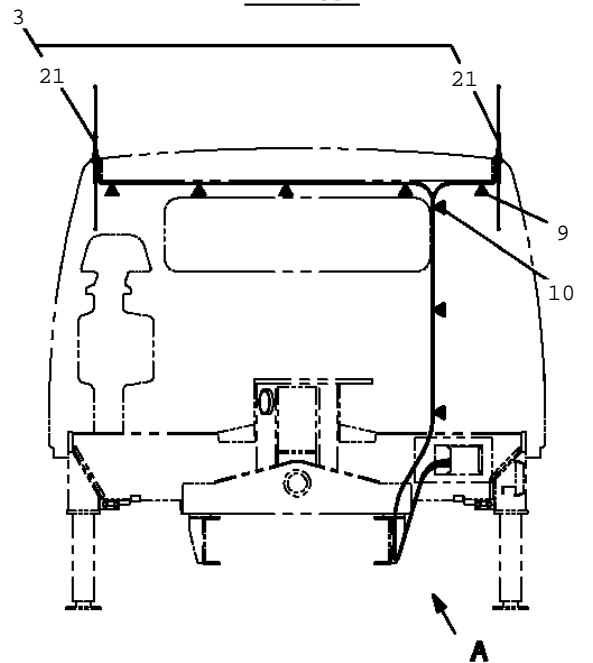
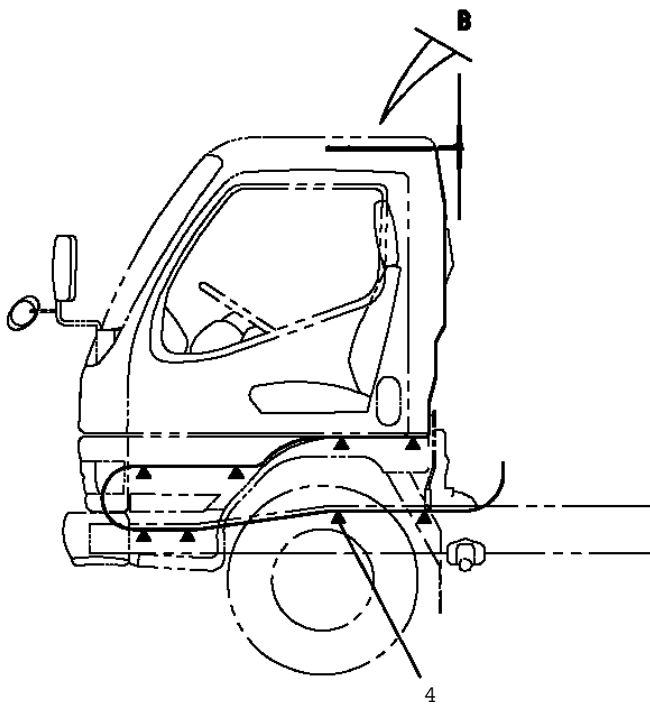
TM-ZF360 41102210360A FRAME/STD,REMOTE-RADIO CONT.,HOOK-IN

Pos No.	Parts No	Parts Name	Qty	Unit	Technical Data	Serial No (
1	31651781000	SUPPORT	2			
	31651781000	SUPPORT	2			
2	31652962000	ANTENNA (SET)	1			
	31652962000	ANTENNA (SET)	1			
3	91810130240	FASTENER	10			
	91810130240	FASTENER	10			
4	82100002034	CLAMP	10		WEC6	
	82100002034	CLAMP	10		WEC6	
5	90191208020	BOLT	5		M8X20	
	90191208020	BOLT	5		M8X20	
6	90264200800	NUT	5		M8	
	90264200800	NUT	5		M8	
7	90302040801	WASHER, SPRING	5		8	
	90302040801	WASHER, SPRING	5		8	
8	82401600506	CLAMP	8			
	82401600506	CLAMP	8			
9	82401600510	CLAMP	7		10	
	82401600510	CLAMP	7		10	
10	31652960100	SPACER	4			
	31652960100	SPACER	4			
21	36801460000	ANTENNA (FOR RADIO CONTROL)	1			
	36801460000	ANTENNA (FOR RADIO CONTROL)	1			
22	36802100000	ANTENNA	1			
	36802100000	ANTENNA	1			

TM-ZF360 41102210360A FRAME/STD,REMOTE-RADIO CONT.,HOOK-IN
 PV1410013-01 MOUNT,ANTENNA (RADIO CONTROL,D.E-TYPE)



VIEW A

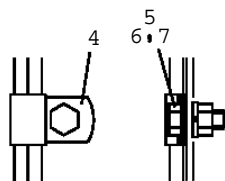
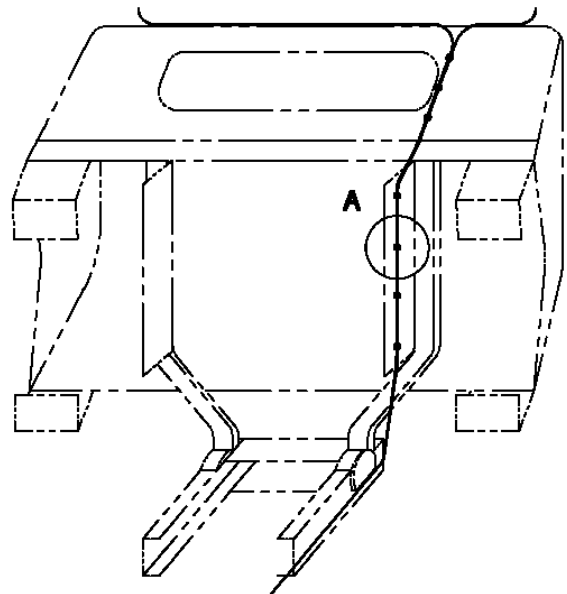
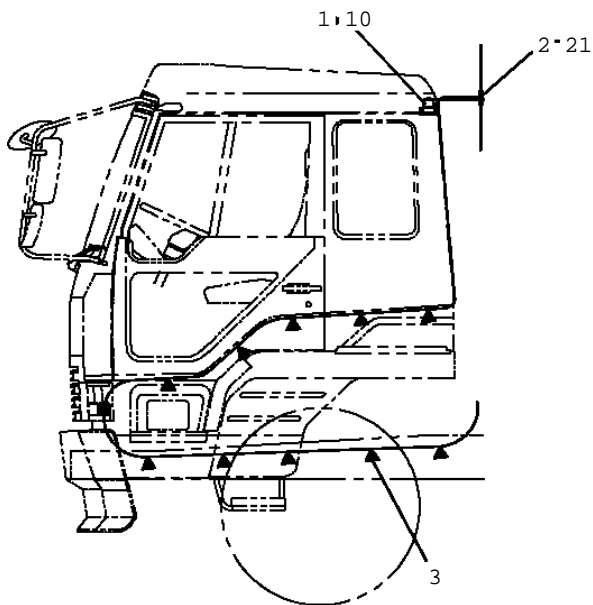
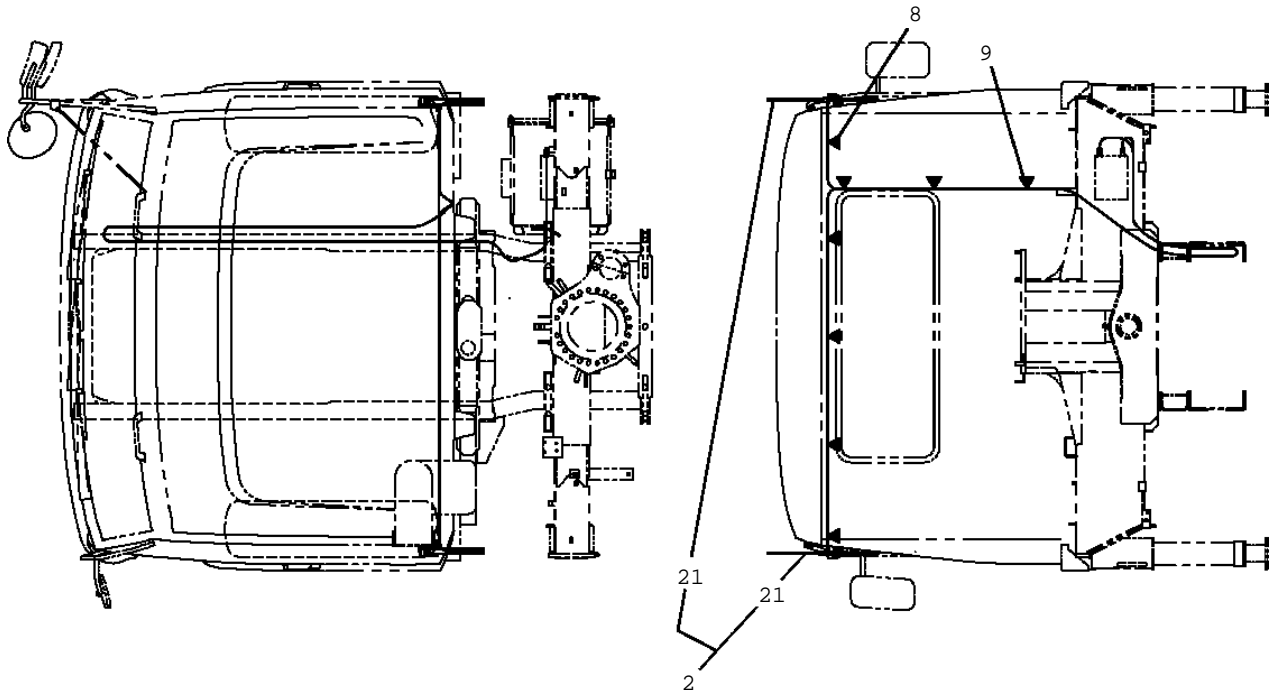


1:LEFT SIDE
 2:RIGHT SIDE

TM-ZF360 41102210360A FRAME/STD,REMOTE-RADIO CONT.,HOOK-IN

Pos No.	Parts No	Parts Name	Qty	Unit	Technical Data	Serial No (Start)	Serial
1	31930530101	SUPPORT	1				
2	31930530201	SUPPORT	1				
3	31652972000	ANTENNA (SET)	1				
4	91810130240	FASTENER	10				
5	82100002034	CLAMP	10		WEC6		
6	90191208020	BOLT	7		M8X20		
7	90264200800	NUT	7		M8		
8	90302040801	WASHER, SPRING	11		8		
9	82401600506	CLAMP	5				
10	82401600510	CLAMP	5		10		
11	90303070801	WASHER, PLAIN	4		8		
12	31930530300	PACKING	4				
21	36802100000	ANTENNA	2				

TM-ZF360 41102210360A FRAME/STD,REMOTE-RADIO CONT.,HOOK-IN
PV1410014-02 MOUNT,ANTENNA (RADIO CONTROL,D.E-TYPE)

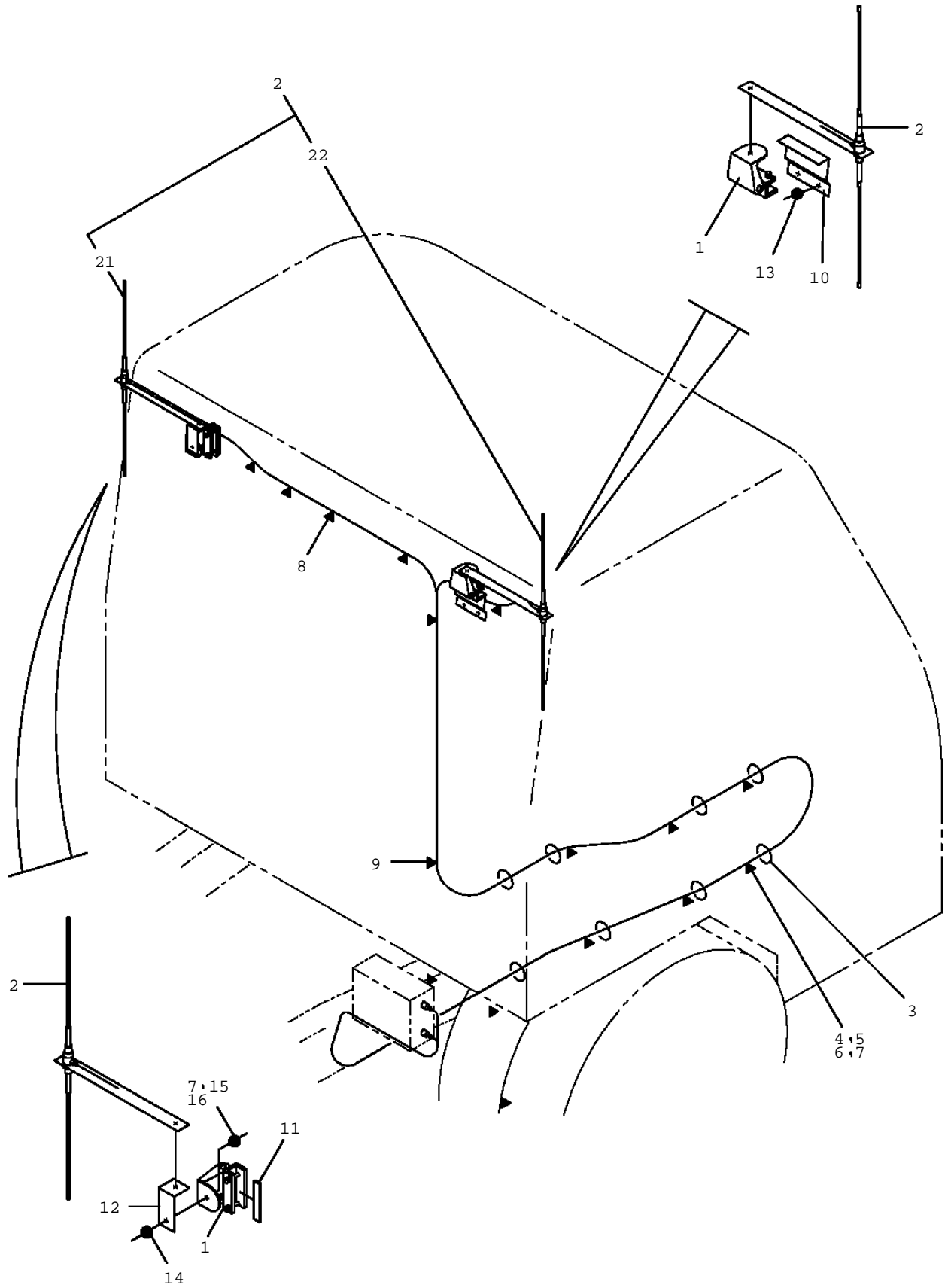


A

TM-ZF360 41102210360A FRAME/STD,REMOTE-RADIO CONT.,HOOK-IN

Pos No.	Parts No	Parts Name	Qty	Unit	Technical Data	Serial No (Start)	Serial
1	31651781000	SUPPORT	2				
2	31652972000	ANTENNA (SET)	1				
3	91810130240	FASTENER	10				
4	82100002034	CLAMP	10		WEC6		
5	90191208020	BOLT	5		M8X20		
6	90264200800	NUT	5		M8		
7	90302040801	WASHER,SPRING	5		8		
8	82401600506	CLAMP	5				
9	82401600510	CLAMP	5		10		
21	36802100000	ANTENNA	2				

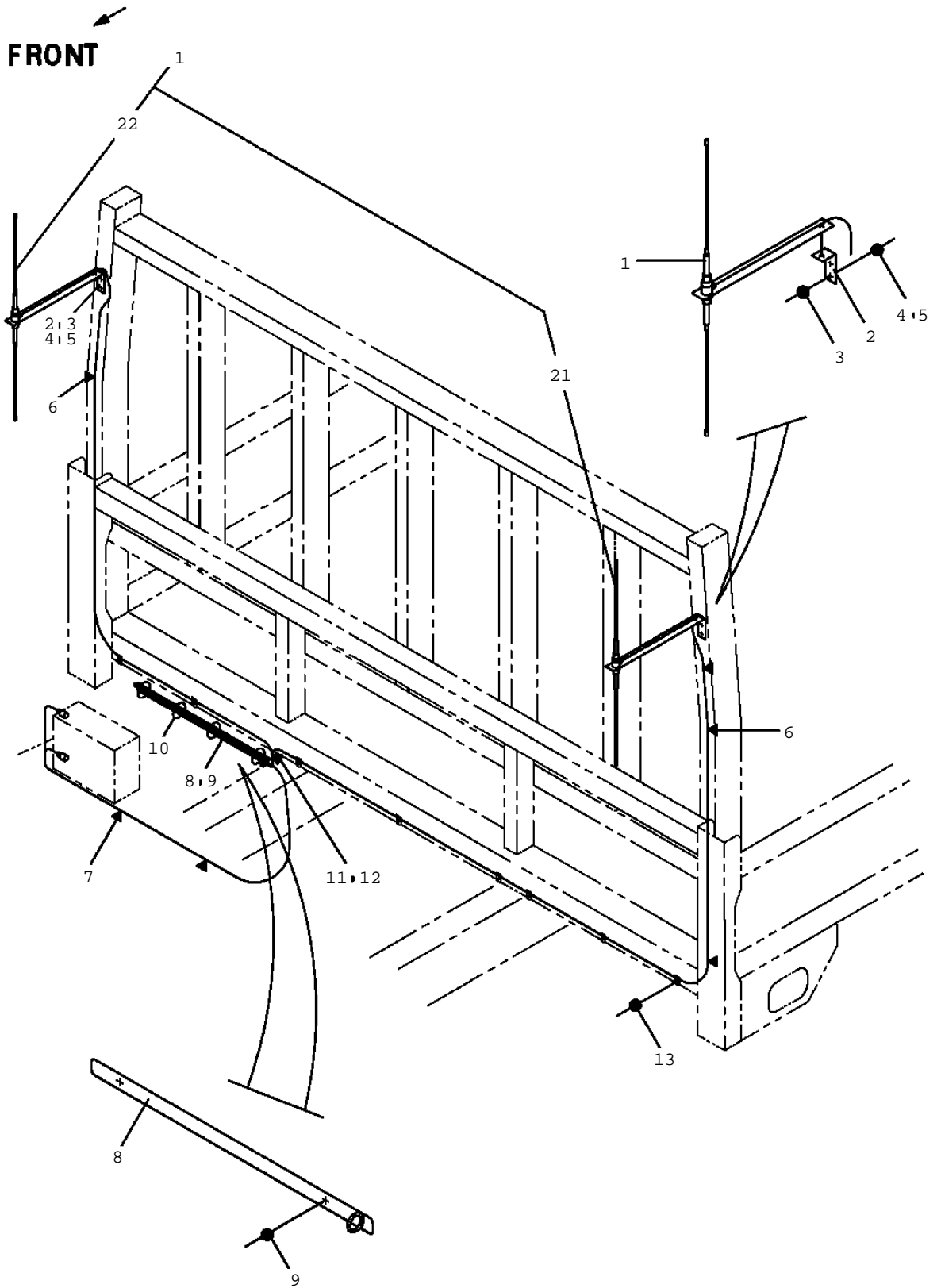
TM-ZF360 41102210360A FRAME/STD,REMOTE-RADIO CONT.,HOOK-IN
PV1410022-00 MOUNT,ANTENNA (FREQUENCY A.B)



TM-ZF360 41102210360A FRAME/STD,REMOTE-RADIO CONT.,HOOK-IN

Pos No.	Parts No	Parts Name	Qty	Unit	Technical Data	Serial No (
1	31651781000	SUPPORT	2			
2	31651782000	ANTENNA (SET)	1			
3	91810130240	FASTENER	10			
4	82100002034	CLAMP	10		WEC6	
5	90191208020	BOLT	5		M8X20	
6	90264200800	NUT	5		M8	
7	90302040801	WASHER,SPRING	6		8	
8	82401600506	CLAMP	5			
9	82401600510	CLAMP	5		10	
10	31930390100	SUPPORT	1			
11	31930390200	PLATE	1			
12	31930390300	SUPPORT	1			
13	90209200800	NUT	2		M8	
14	90101208020	BOLT	1		M8X20	
15	90201200800	NUT	1		M8	
16	90303070801	WASHER,PLAIN	1		8	
21	36800610000	ANTENNA (FOR RADIO CONTROL)	1			
22	36800620000	ANTENNA (FOR RADIO CONTROL)	1			

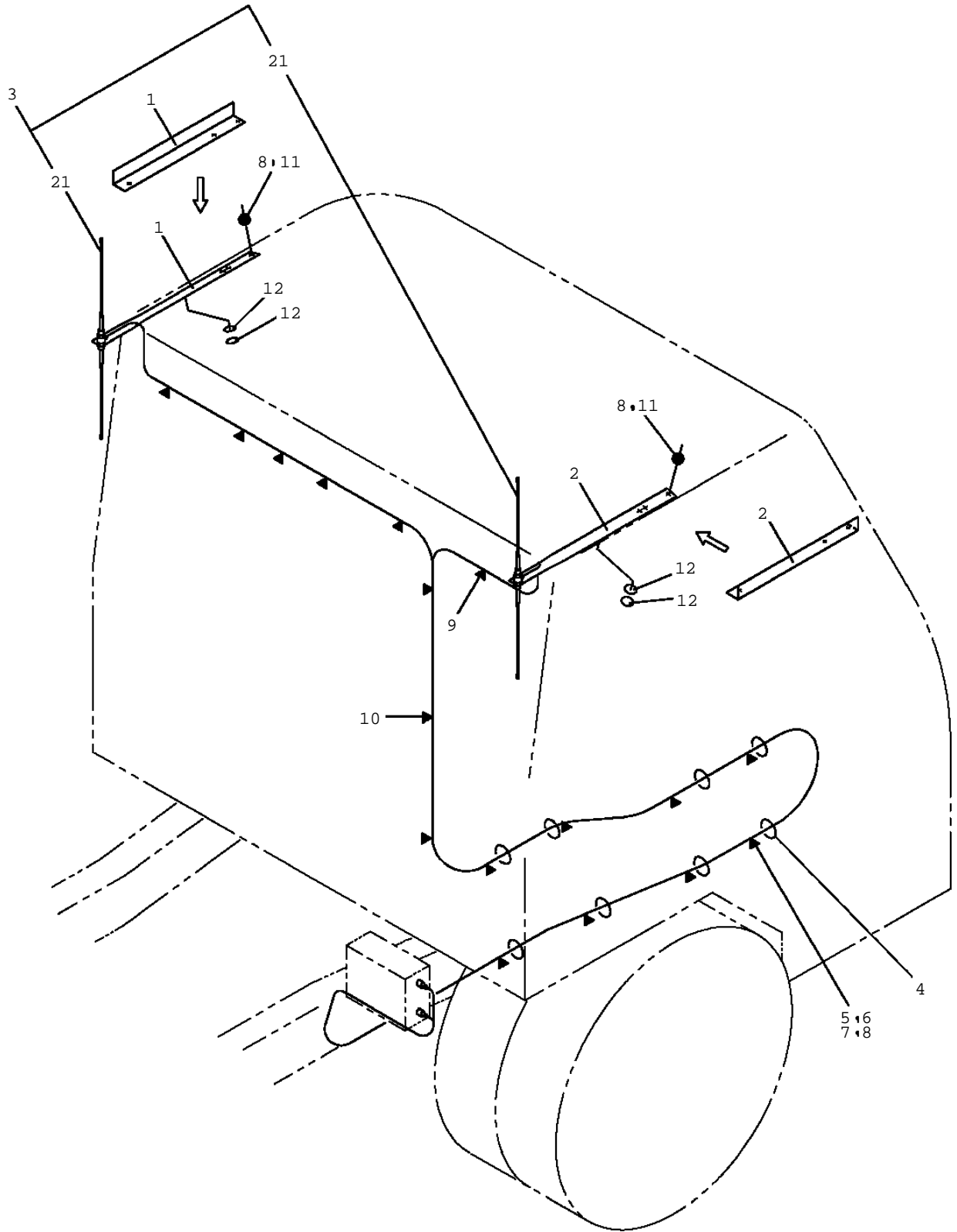
TM-ZF360 41102210360A FRAME/STD,REMOTE-RADIO CONT.,HOOK-IN
PV1410023-00 MOUNT,ANTENNA(FREQUENCY A.B/MOUNT,GUARD)



TM-ZF360 41102210360A FRAME/STD,REMOTE-RADIO CONT.,HOOK-IN

Pos No.	Parts No	Parts Name	Qty	Unit	Technical Data	Serial No (
1	31651782000	ANTENNA (SET)	1			
2	31930460100	SUPPORT	2			
3	90101208020	BOLT	4		M8X20	
4	90201200800	NUT	4		M8	
5	90302040801	WASHER,SPRING	4		8	
6	82401600506	CLAMP	10			
7	82401600510	CLAMP	8		10	
8	31930180100	SUPPORT	1			
9	80142838032	SCREW,WOOD	2			
10	91810130240	FASTENER	4			
11	82100002006	CLAMP	1		WR10	
12	90918160160	SCREW,TAPPING	1			
13	90918135160	SCREW,TAPPING	8			
21	36800610000	ANTENNA (FOR RADIO CONTROL)	1			
22	36800620000	ANTENNA (FOR RADIO CONTROL)	1			

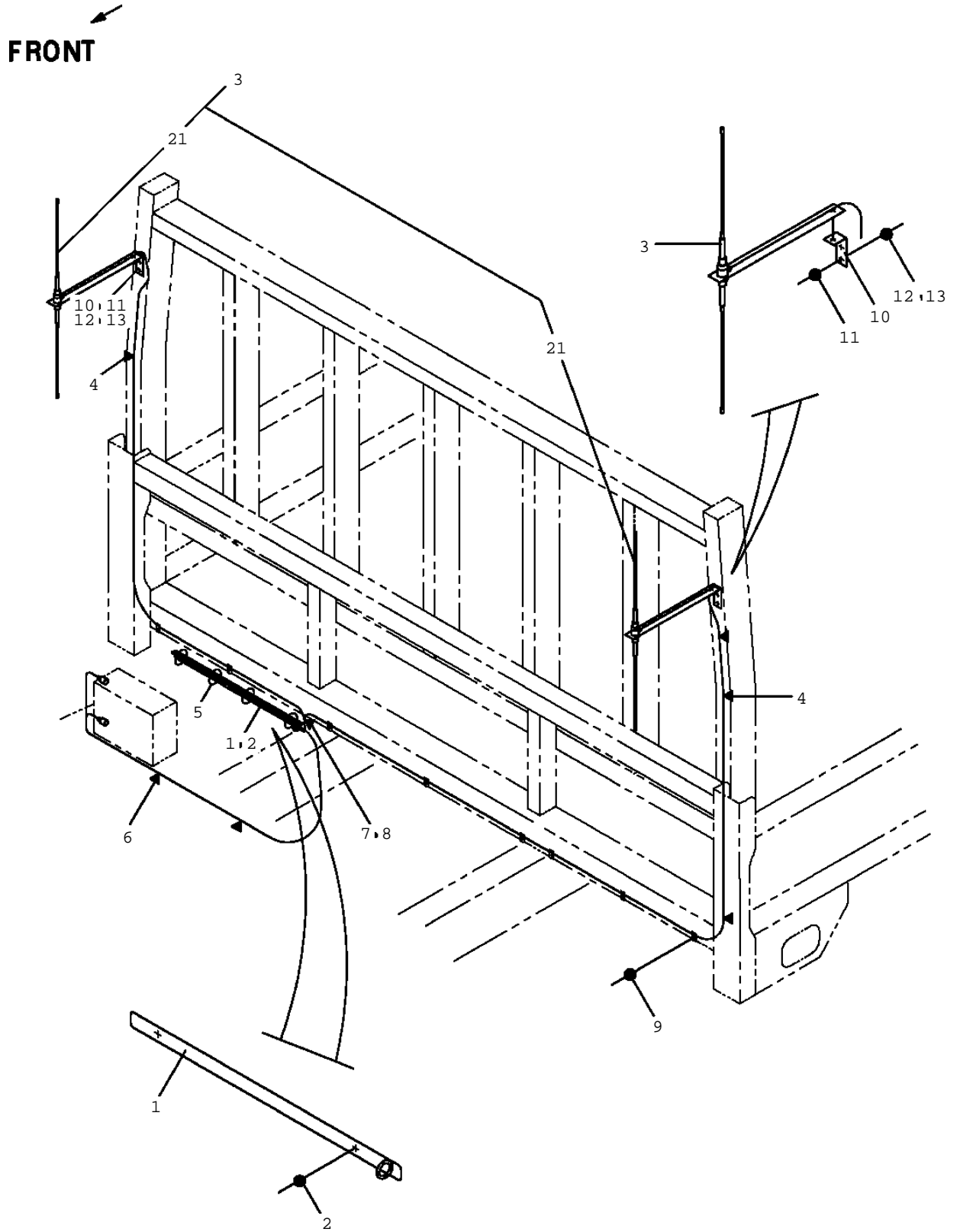
TM-ZF360 41102210360A FRAME/STD,REMOTE-RADIO CONT.,HOOK-IN
PV1410024-00 MOUNT,ANTENNA (FREQUENCY A.B)



TM-ZF360 41102210360A FRAME/STD,REMOTE-RADIO CONT.,HOOK-IN

Pos No.	Parts No	Parts Name	Qty	Unit	Technical Data	Serial No (
1	31930530101	SUPPORT	1			
2	31930530201	SUPPORT	1			
3	31651792000	ANTENNA (SET)	1			
4	91810130240	FASTENER	10			
5	82100002034	CLAMP	10		WEC6	
6	90191208020	BOLT	7		M8X20	
7	90264200800	NUT	7		M8	
8	90302040801	WASHER,SPRING	11		8	
9	82401600506	CLAMP	5			
10	82401600510	CLAMP	5		10	
11	90303070801	WASHER,PLAIN	4		8	
12	31930530300	PACKING	4			
21	36800620000	ANTENNA (FOR RADIO CONTROL)	2			

TM-ZF360 41102210360A FRAME/STD,REMOTE-RADIO CONT.,HOOK-IN
PV1410025-00 MOUNT,ANTENNA(FREQUENCY A.B/MOUNT,GUARD)



TM-ZF360 41102210360A FRAME/STD,REMOTE-RADIO CONT.,HOOK-IN

Pos No.	Parts No	Parts Name	Qty	Unit	Technical Data	Serial No (
1	31930180100	SUPPORT	1			
2	80142838032	SCREW,WOOD	2			
3	31651792000	ANTENNA (SET)	1			
4	82401600506	CLAMP	10			
5	91810130240	FASTENER	4			
6	82401600510	CLAMP	8		10	
7	82100002006	CLAMP	1		WR10	
8	90918160160	SCREW,TAPPING	1			
9	90918135160	SCREW,TAPPING	8			
10	31930460100	SUPPORT	2			
11	90101208020	BOLT	4		M8X20	
12	90201200800	NUT	4		M8	
13	90302040801	WASHER,SPRING	4		8	
21	36800620000	ANTENNA (FOR RADIO CONTROL)	2			

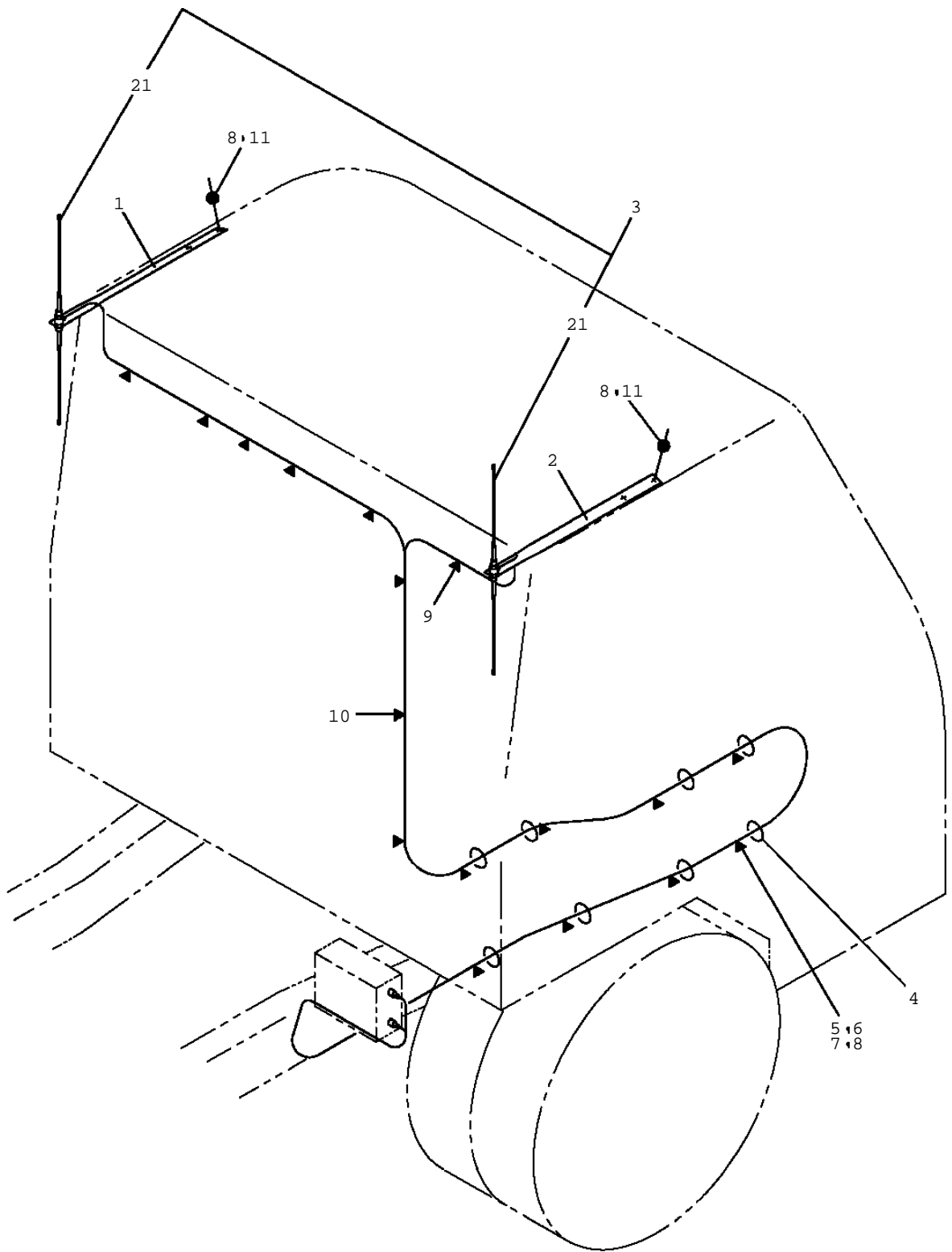
TM-ZF360 41102210360A FRAME/STD,REMOTE-RADIO CONT.,HOOK-IN

Pos No.	Parts No	Parts Name	Qty	Unit	Technical Data	Serial No (
1	31930530101	SUPPORT	1			
2	31930530201	SUPPORT	1			
3	31651782000	ANTENNA (SET)	1			
4	91810130240	FASTENER	10			
5	82100002034	CLAMP	10		WEC6	
6	90191208020	BOLT	5		M8X20	
7	90264200800	NUT	5		M8	
8	90302040801	WASHER,SPRING	5		8	
9	82401600506	CLAMP	5			
10	82401600510	CLAMP	5		10	
12	90302511001	WASHER,SPRING	4		10	
13	31930740300	PACKING	4			
14	31930530300	PACKING	4			
21	36800610000	ANTENNA (FOR RADIO CONTROL)	1			
22	36800620000	ANTENNA (FOR RADIO CONTROL)	1			

TM-ZF360 41102210360A FRAME/STD,REMOTE-RADIO CONT.,HOOK-IN

Pos No.	Parts No	Parts Name	Qty	Unit	Technical Data	Serial No (
1	31930530101	SUPPORT	1			
2	31930530201	SUPPORT	1			
3	31651782000	ANTENNA (SET)	1			
4	91810130240	FASTENER	10			
5	82100002034	CLAMP	10		WEC6	
6	90191208020	BOLT	7		M8X20	
7	90264200800	NUT	7		M8	
8	90302040801	WASHER,SPRING	11		8	
9	82401600506	CLAMP	5			
10	82401600510	CLAMP	5		10	
11	90303070801	WASHER,PLAIN	4		8	
12	31930530300	PACKING	4			
21	36800610000	ANTENNA (FOR RADIO CONTROL)	1			
22	36800620000	ANTENNA (FOR RADIO CONTROL)	1			

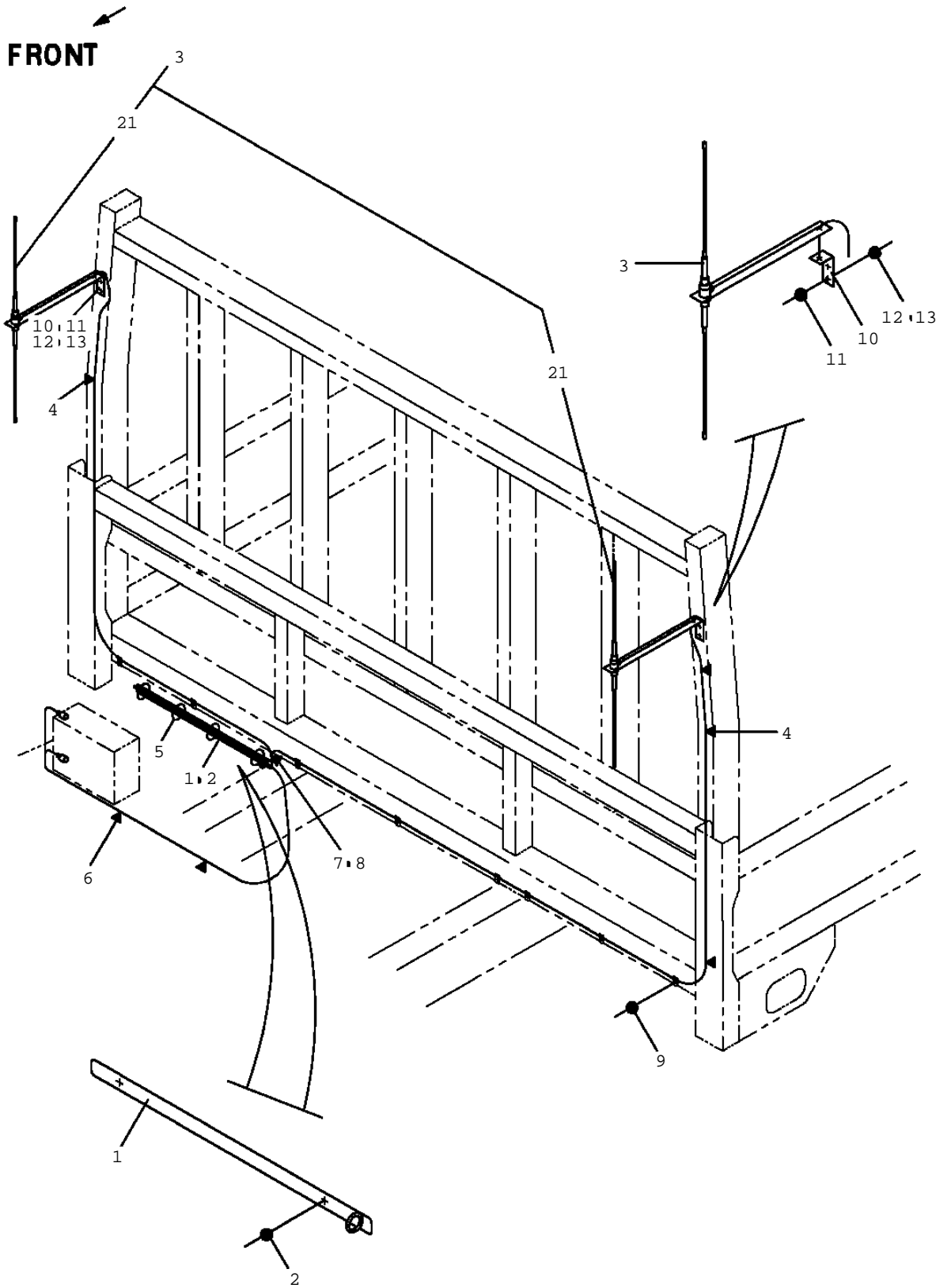
TM-ZF360 41102210360A FRAME/STD,REMOTE-RADIO CONT.,HOOK-IN
PV1410028-00 MOUNT,ANTENNA (FREQUENCY A.B)



TM-ZF360 41102210360A FRAME/STD,REMOTE-RADIO CONT.,HOOK-IN

Pos No.	Parts No	Parts Name	Qty	Unit	Technical Data	Serial No (
1	31931190100	SUPPORT	1			
2	31931190200	SUPPORT	1			
3	31651802000	ANTENNA (10M TYPE A,B)	1			
4	91810130240	FASTENER	10			
5	82100002034	CLAMP	10		WEC6	
6	90191208020	BOLT	7		M8X20	
7	90264200800	NUT	7		M8	
8	90302040801	WASHER,SPRING	11		8	
9	82401600506	CLAMP	10			
10	82401600510	CLAMP	10		10	
11	90303070801	WASHER,PLAIN	4		8	
21	36800610000	ANTENNA (FOR RADIO CONTROL)	2			

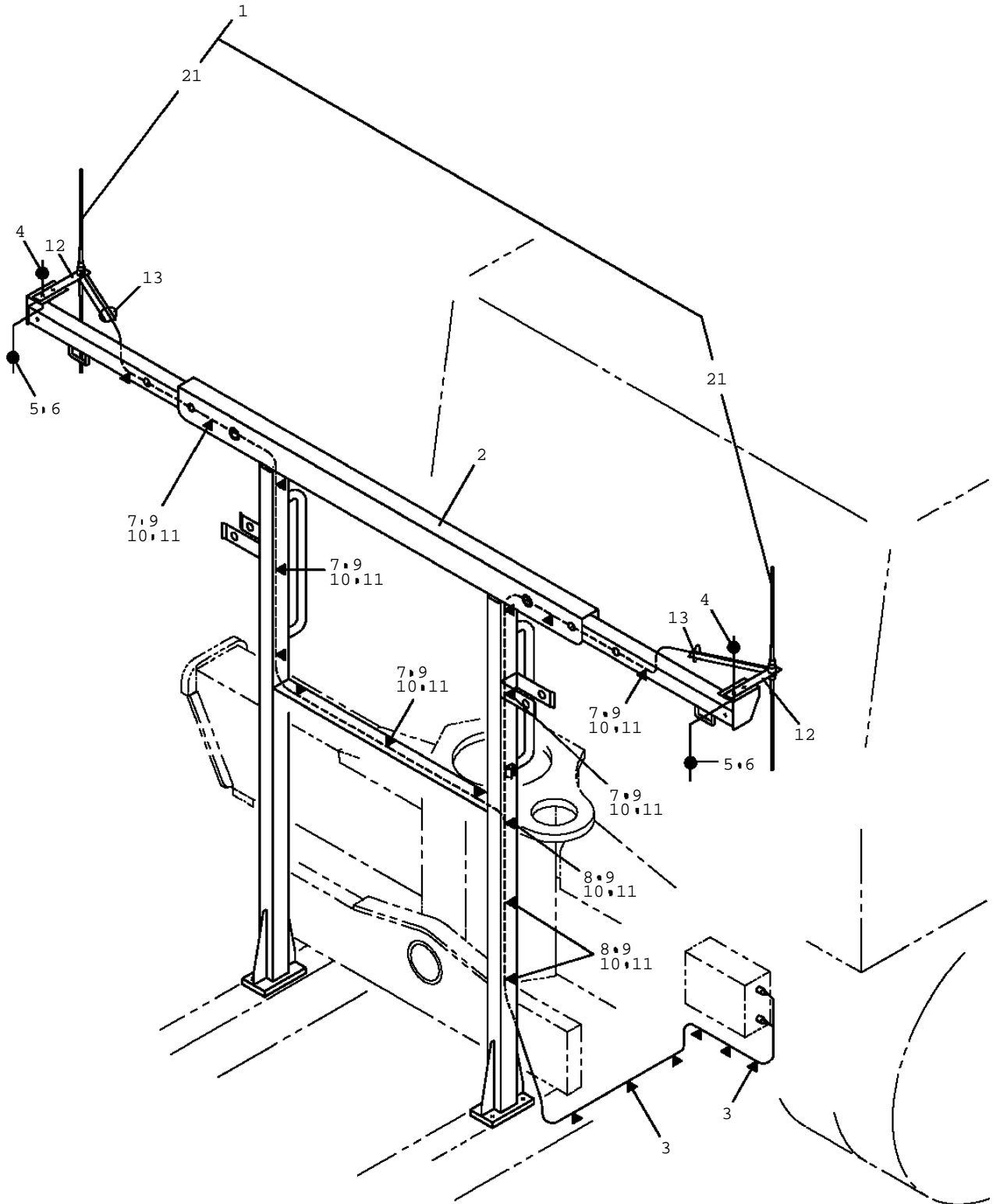
TM-ZF360 41102210360A FRAME/STD,REMOTE-RADIO CONT.,HOOK-IN
PV1410029-00 MOUNT,ANTENNA(FREQUENCY D.E/MOUNT,GUARD)



TM-ZF360 41102210360A FRAME/STD,REMOTE-RADIO CONT.,HOOK-IN

Pos No.	Parts No	Parts Name	Qty	Unit	Technical Data	Serial No (Start)	Serial
1	31930180100	SUPPORT	1				
2	80142838032	SCREW,WOOD	2				
3	31652972000	ANTENNA (SET)	1				
4	82401600506	CLAMP	10				
5	91810130240	FASTENER	4				
6	82401600510	CLAMP	8		10		
7	82100002006	CLAMP	1		WR10		
8	90918160160	SCREW,TAPPING	1				
9	90918135160	SCREW,TAPPING	8				
10	31930460100	SUPPORT	2				
11	90101208020	BOLT	4		M8X20		
12	90201200800	NUT	4		M8		
13	90302040801	WASHER,SPRING	4		8		
21	36802100000	ANTENNA	2				

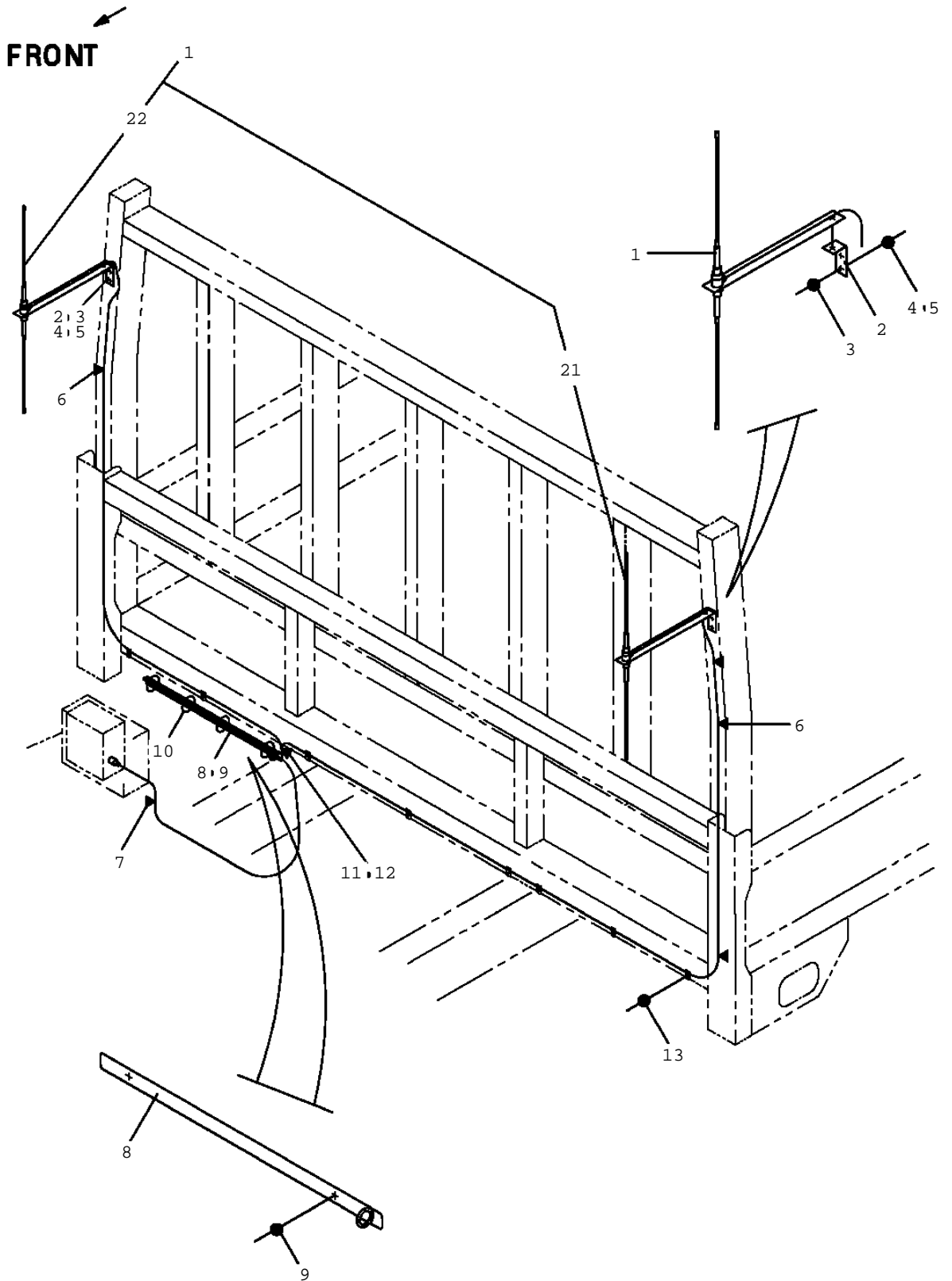
TM-ZF360 41102210360A FRAME/STD,REMOTE-RADIO CONT.,HOOK-IN
PV1410030-00 MOUNT,ANTENNA



TM-ZF360 41102210360A FRAME/STD,REMOTE-RADIO CONT.,HOOK-IN

Pos No.	Parts No	Parts Name	Qty	Unit	Technical Data	Serial No (
1	31931381000	ANTENNA (SET)	1			
2	31931382000	SUPPORT ASSY	1			
3	82401600510	CLAMP	6		10	
4	90101208020	BOLT	4		M8X20	
5	90201200800	NUT	4		M8	
6	90302040801	WASHER,SPRING	4		8	
7	82100002002	CLAMP	16		WR6	
8	82100002033	CLAMP	3			
9	90201200600	NUT	19		M6	
10	90302040601	WASHER,SPRING	19		6	
11	90303070601	WASHER,PLAIN	19		6	
21	36802750000	ANTENNA (FOR RADIO CONTROL)	2			

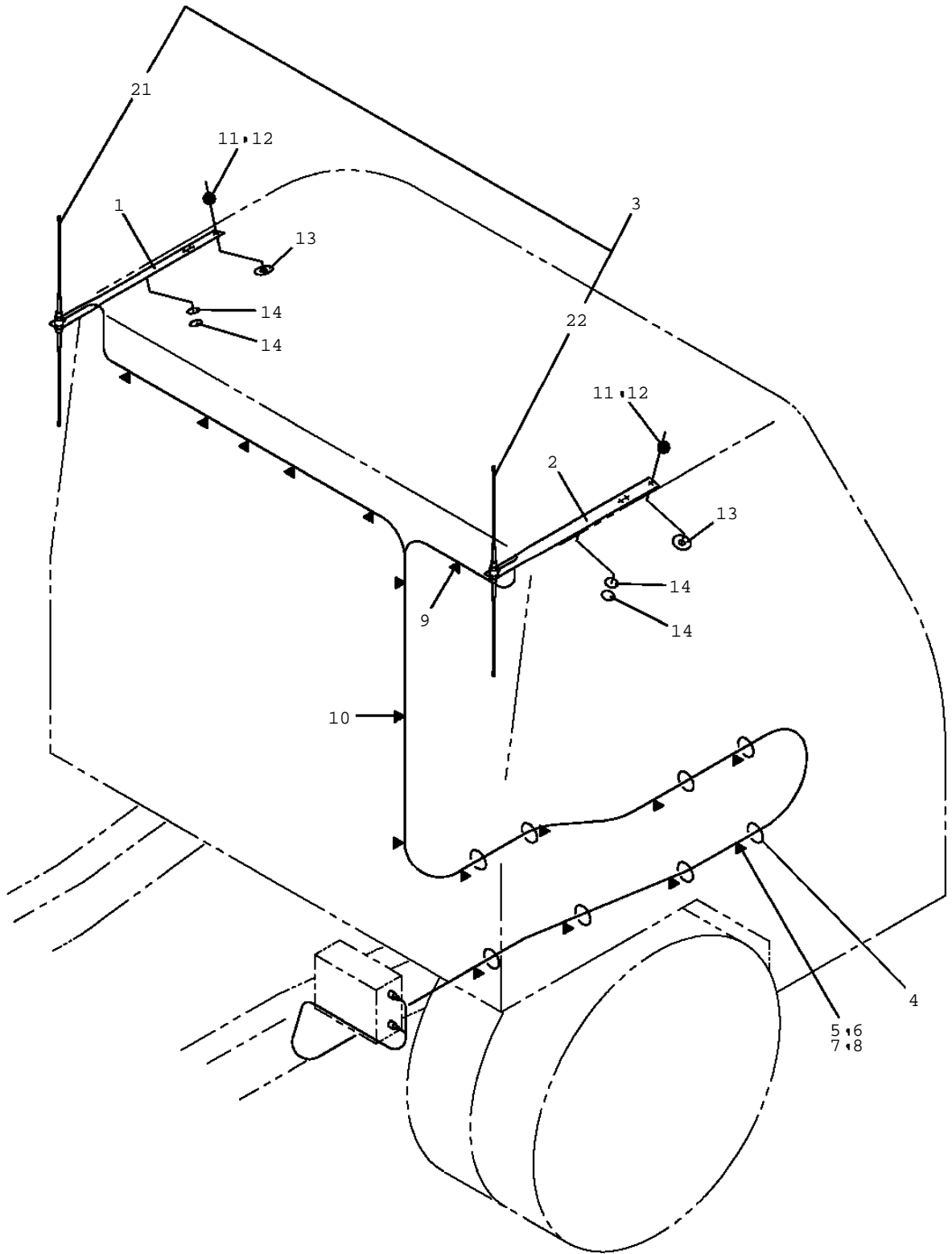
TM-ZF360 41102210360A FRAME/STD,REMOTE-RADIO CONT.,HOOK-IN
PV1410031-00 MOUNT,ANTENNA(FREQUENCY D.E/MOUNT,GUARD)



TM-ZF360 41102210360A FRAME/STD,REMOTE-RADIO CONT.,HOOK-IN

Pos No.	Parts No	Parts Name	Qty	Unit	Technical Data	Serial No (
1	31652962000	ANTENNA (SET)	1			
2	31930460100	SUPPORT	2			
3	90101208020	BOLT	4		M8X20	
4	90201200800	NUT	4		M8	
5	90302040801	WASHER,SPRING	4		8	
6	82401600506	CLAMP	10			
7	82401600510	CLAMP	8		10	
8	31930180100	SUPPORT	1			
9	80142838032	SCREW,WOOD	2			
10	91810130240	FASTENER	4			
11	82100002006	CLAMP	1		WR10	
12	90918160160	SCREW,TAPPING	1			
13	90918135160	SCREW,TAPPING	8			
21	36801460000	ANTENNA (FOR RADIO CONTROL)	1			
22	36802100000	ANTENNA	1			

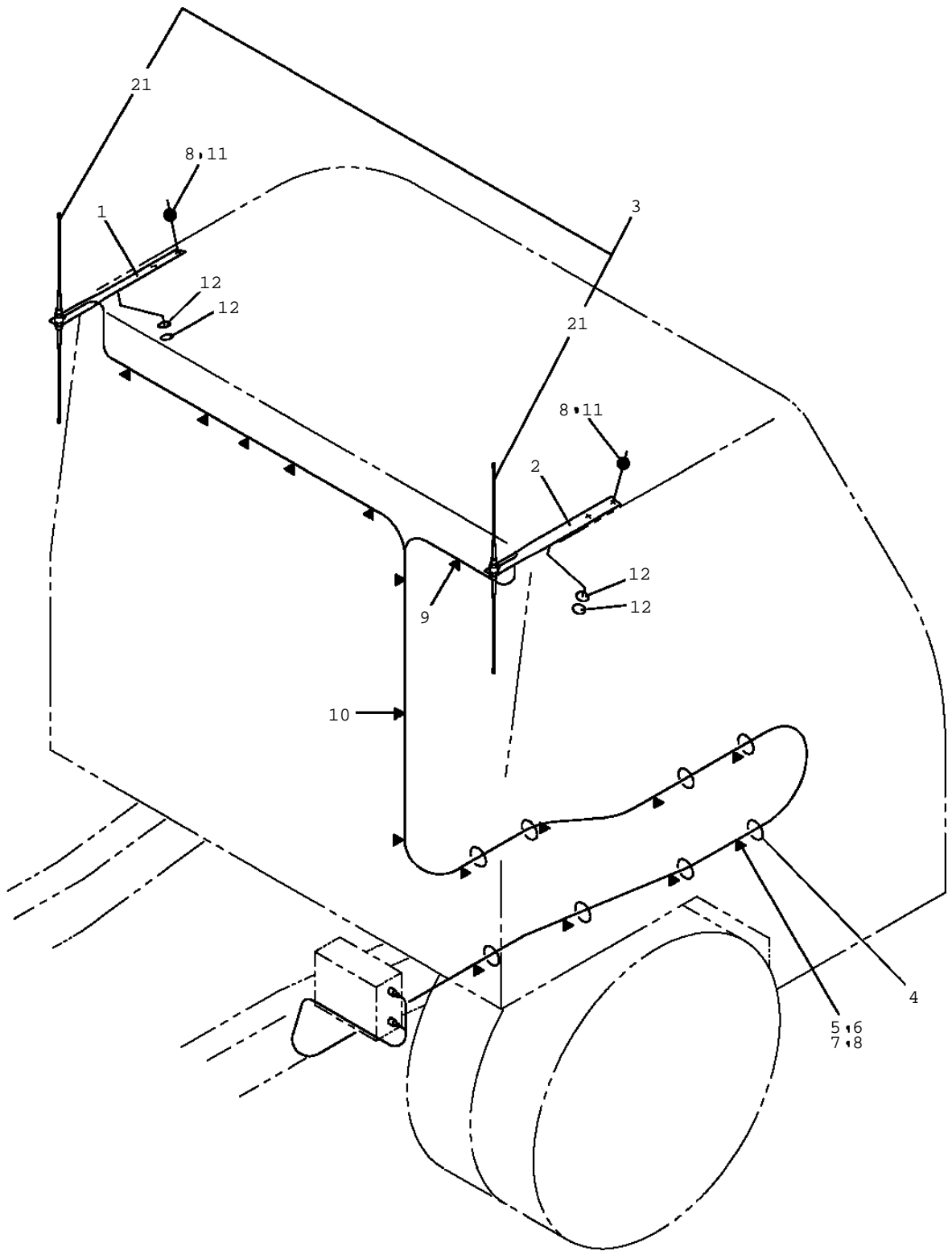
TM-ZF360 41102210360A FRAME/STD,REMOTE-RADIO CONT.,HOOK-IN
PV1410032-00 MOUNT,ANTENNA (FREQUENCY D.E)



TM-ZF360 41102210360A FRAME/STD,REMOTE-RADIO CONT.,HOOK-IN

Pos No.	Parts No	Parts Name	Qty	Unit	Technical Data	Serial No (
1	31930530101	SUPPORT	1			
2	31930530201	SUPPORT	1			
3	31652962000	ANTENNA (SET)	1			
4	91810130240	FASTENER	10			
5	82100002034	CLAMP	10		WEC6	
6	90191208020	BOLT	5		M8X20	
7	90264200800	NUT	5		M8	
8	90302040801	WASHER,SPRING	5		8	
9	82401600506	CLAMP	5			
10	82401600510	CLAMP	5		10	
11	90103210025	BOLT	4		M10X25	
12	90302511001	WASHER,SPRING	4		10	
13	31930740300	PACKING	12			
14	31930530300	PACKING	4			
21	36801460000	ANTENNA (FOR RADIO CONTROL)	1			
22	36802100000	ANTENNA	1			

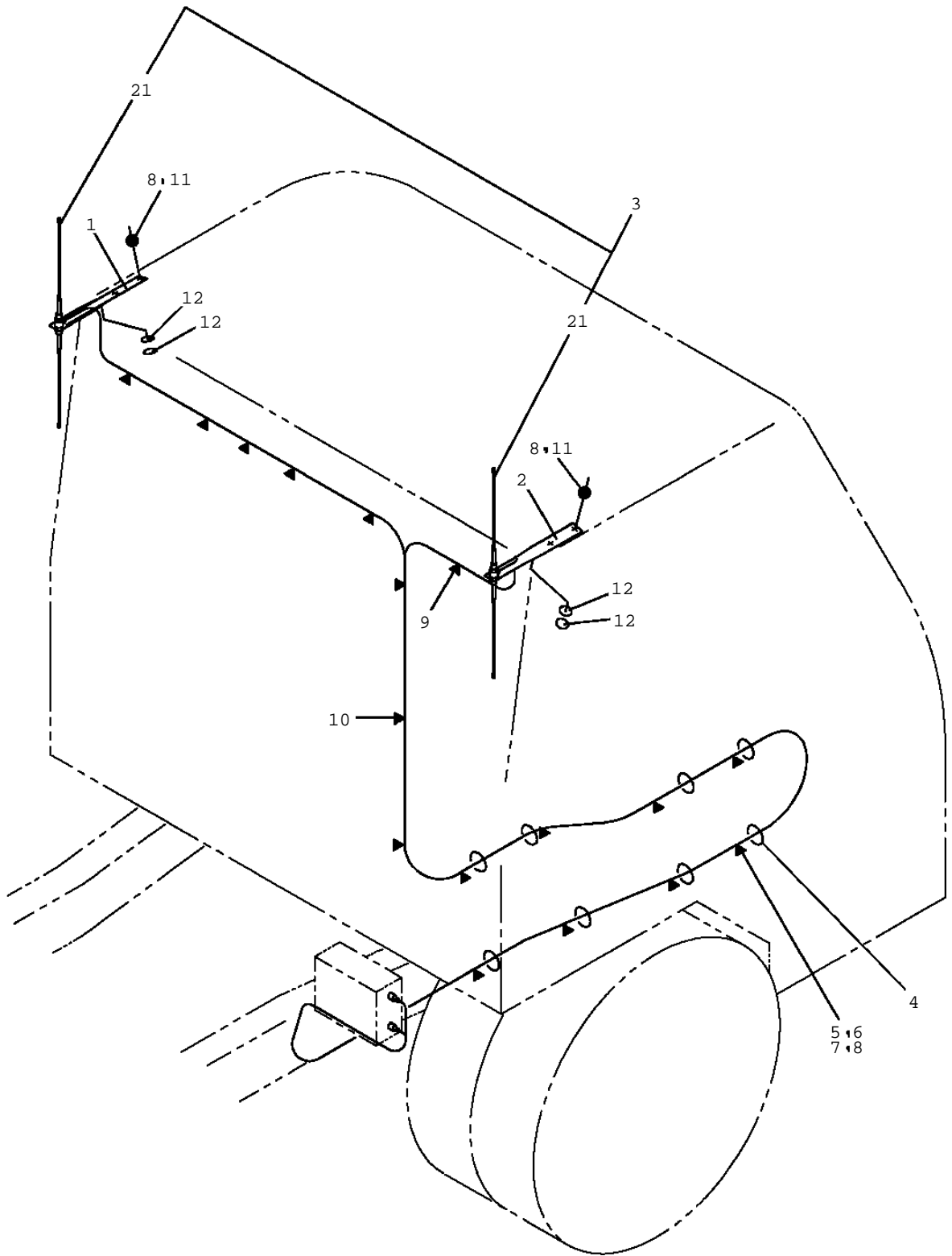
TM-ZF360 41102210360A FRAME/STD,REMOTE-RADIO CONT.,HOOK-IN
PV1410033-00 MOUNT,ANTENNA (FREQUENCY D.E)



TM-ZF360 41102210360A FRAME/STD,REMOTE-RADIO CONT.,HOOK-IN

Pos No.	Parts No	Parts Name	Qty	Unit	Technical Data	Serial No (Start)	Serial
1	31932410100	SUPPORT	1				
2	31932410200	SUPPORT	1				
3	31652972000	ANTENNA (SET)	1				
4	91810130240	FASTENER	10				
5	82100002034	CLAMP	10		WEC6		
6	90191208020	BOLT	7		M8X20		
7	90264200800	NUT	7		M8		
8	90302040801	WASHER, SPRING	11		8		
9	82401600506	CLAMP	5				
10	82401600510	CLAMP	5		10		
11	90303070801	WASHER, PLAIN	4		8		
12	31930530300	PACKING	4				
21	36802100000	ANTENNA	2				

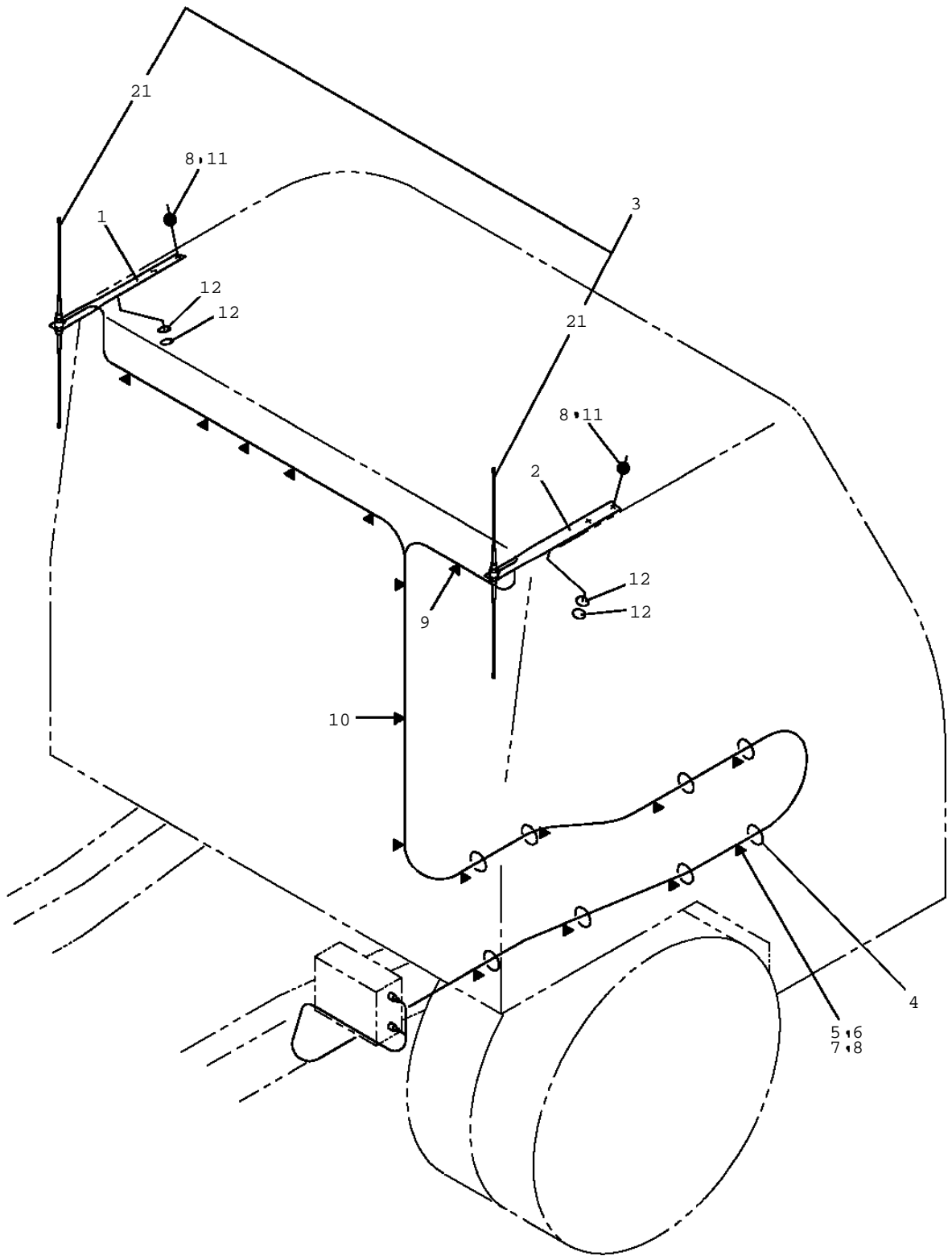
TM-ZF360 41102210360A FRAME/STD,REMOTE-RADIO CONT.,HOOK-IN
PV1410034-00 MOUNT,ANTENNA (FREQUENCY D.E)



TM-ZF360 41102210360A FRAME/STD,REMOTE-RADIO CONT.,HOOK-IN

Pos No.	Parts No	Parts Name	Qty	Unit	Technical Data	Serial No (Start)	Serial
1	31932420100	SUPPORT	1				
2	31932420200	SUPPORT	1				
3	31652972000	ANTENNA (SET)	1				
4	91810130240	FASTENER	10				
5	82100002034	CLAMP	10		WEC6		
6	90191208020	BOLT	7		M8X20		
7	90264200800	NUT	7		M8		
8	90302040801	WASHER, SPRING	11		8		
9	82401600506	CLAMP	5				
10	82401600510	CLAMP	5		10		
11	90303070801	WASHER, PLAIN	4		8		
12	31930530300	PACKING	4				
21	36802100000	ANTENNA	2				

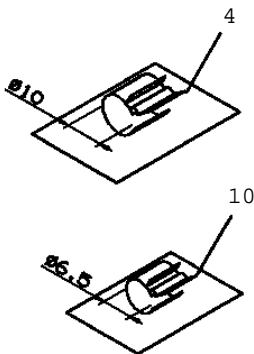
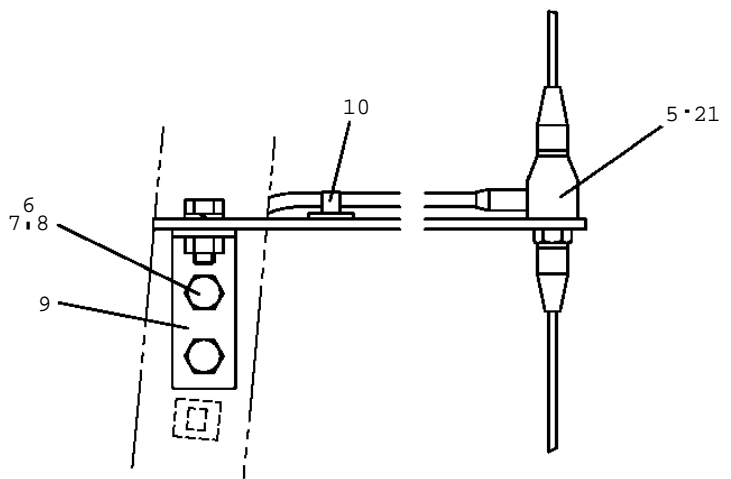
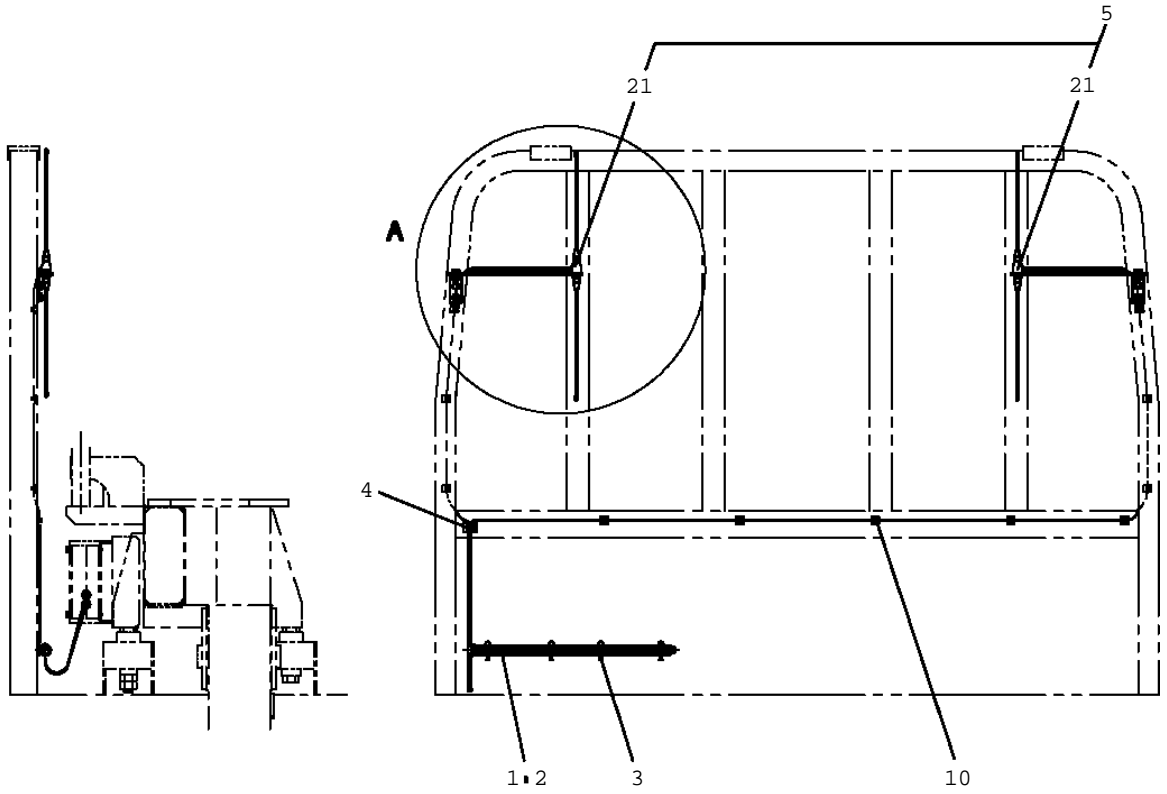
TM-ZF360 41102210360A FRAME/STD,REMOTE-RADIO CONT.,HOOK-IN
PV1410035-00 MOUNT,ANTENNA (FREQUENCY D.E)



TM-ZF360 41102210360A FRAME/STD,REMOTE-RADIO CONT.,HOOK-IN

Pos No.	Parts No	Parts Name	Qty	Unit	Technical Data	Serial No (Start)	Serial
1	31932410100	SUPPORT	1				
2	31932410200	SUPPORT	1				
3	31652972000	ANTENNA (SET)	1				
4	91810130240	FASTENER	10				
5	82100002034	CLAMP	10		WEC6		
6	90191208020	BOLT	7		M8X20		
7	90264200800	NUT	7		M8		
8	90302040801	WASHER, SPRING	11		8		
9	82401600506	CLAMP	5				
10	82401600510	CLAMP	5		10		
11	90303070801	WASHER, PLAIN	4		8		
12	31930530300	PACKING	4				
21	36802100000	ANTENNA	2				

TM-ZF360 41102210360A FRAME/STD,REMOTE-RADIO CONT.,HOOK-IN
 PV1410036-00 MOUNT,ANTENNA(FREQUENCY A.B/MOUNT,GUARD)

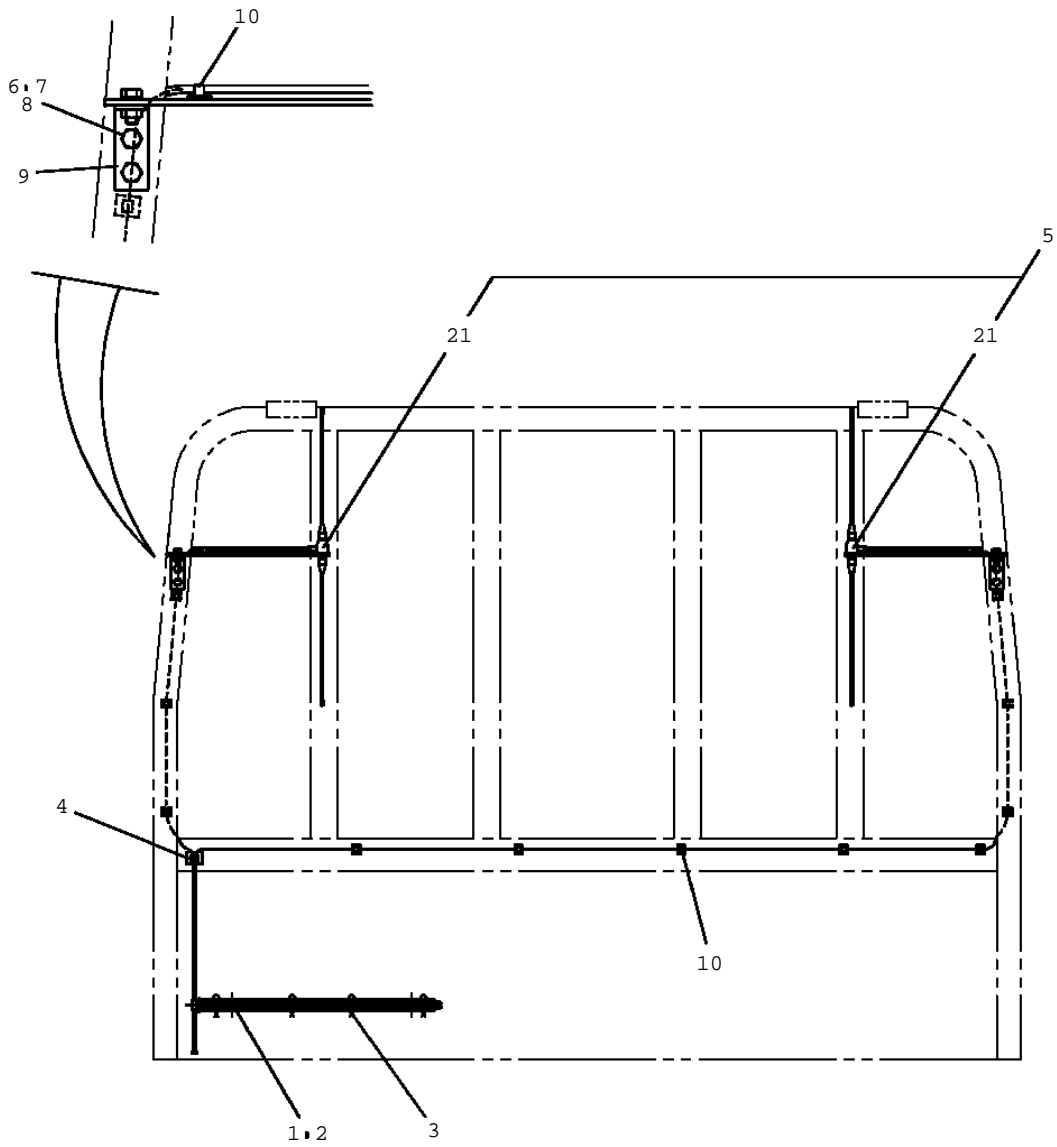


A

TM-ZF360 41102210360A FRAME/STD,REMOTE-RADIO CONT.,HOOK-IN

Pos No.	Parts No	Parts Name	Qty	Unit	Technical Data	Serial No (
1	31930180100	SUPPORT	1			
2	80142838032	SCREW,WOOD	2			
3	91810130240	FASTENER	4			
4	82401600510	CLAMP	1		10	
5	31651792000	ANTENNA (SET)	1			
6	90101208020	BOLT	4		M8X20	
7	90201200800	NUT	4		M8	
8	90302040801	WASHER,SPRING	4		8	
9	31930460100	SUPPORT	2			
10	82401600506	CLAMP	13			
21	36800620000	ANTENNA (FOR RADIO CONTROL)	2			

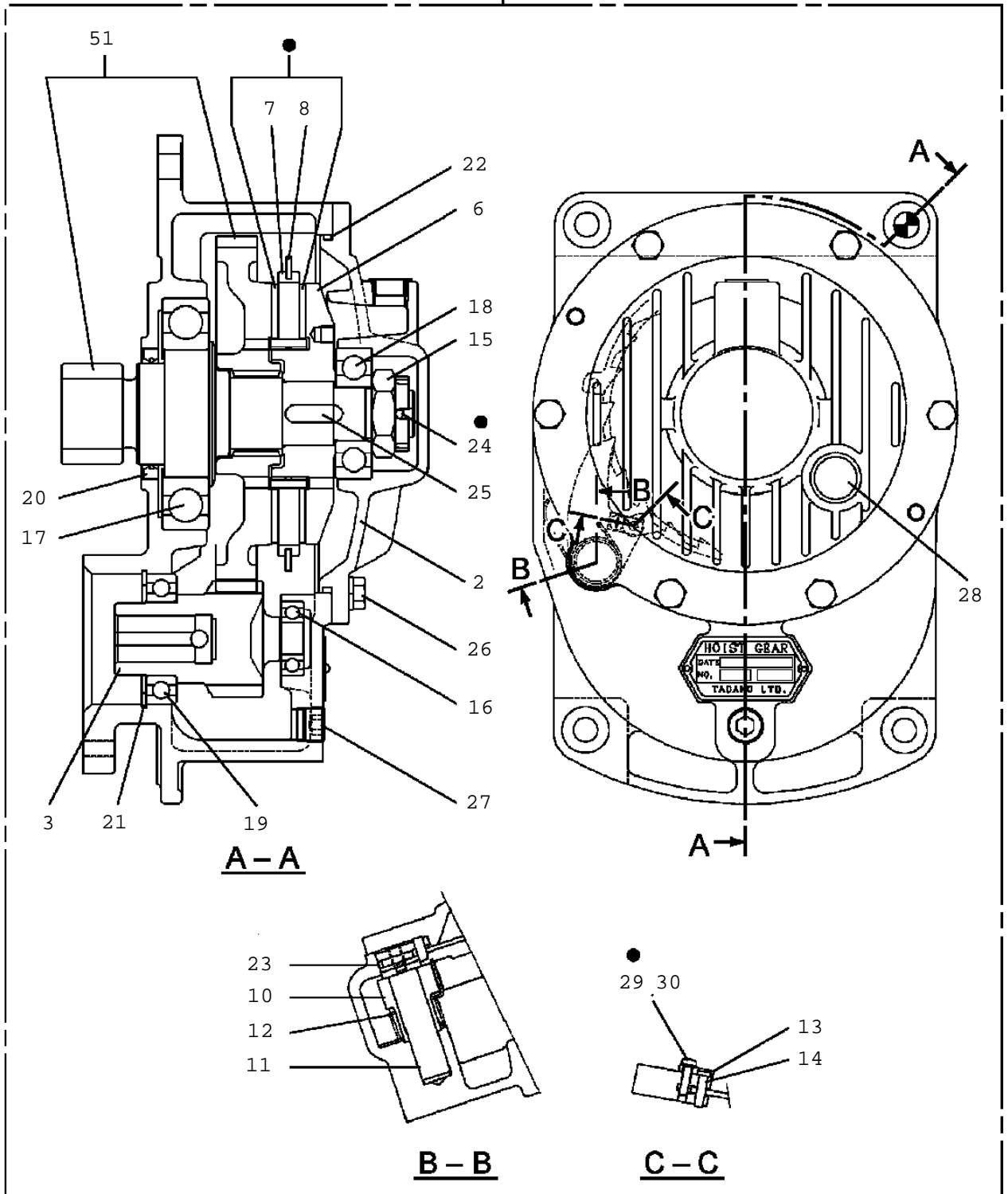
TM-ZF360 41102210360A FRAME/STD,REMOTE-RADIO CONT.,HOOK-IN
PV1410037-00 MOUNT,ANTENNA(FREQUENCY D.E/MOUNT,GUARD)



TM-ZF360 41102210360A FRAME/STD,REMOTE-RADIO CONT.,HOOK-IN

Pos No.	Parts No	Parts Name	Qty	Unit	Technical Data	Serial No (Start)	Serial
1	31930180100	SUPPORT	1				
2	80142838032	SCREW,WOOD	2				
3	91810130240	FASTENER	4				
4	82401600510	CLAMP	1		10		
5	31652972000	ANTENNA (SET)	1				
6	90101208020	BOLT	4		M8X20		
7	90201200800	NUT	4		M8		
8	90302040801	WASHER,SPRING	4		8		
9	31930460100	SUPPORT	2				
10	82401600506	CLAMP	13				
21	36802100000	ANTENNA	2				

100



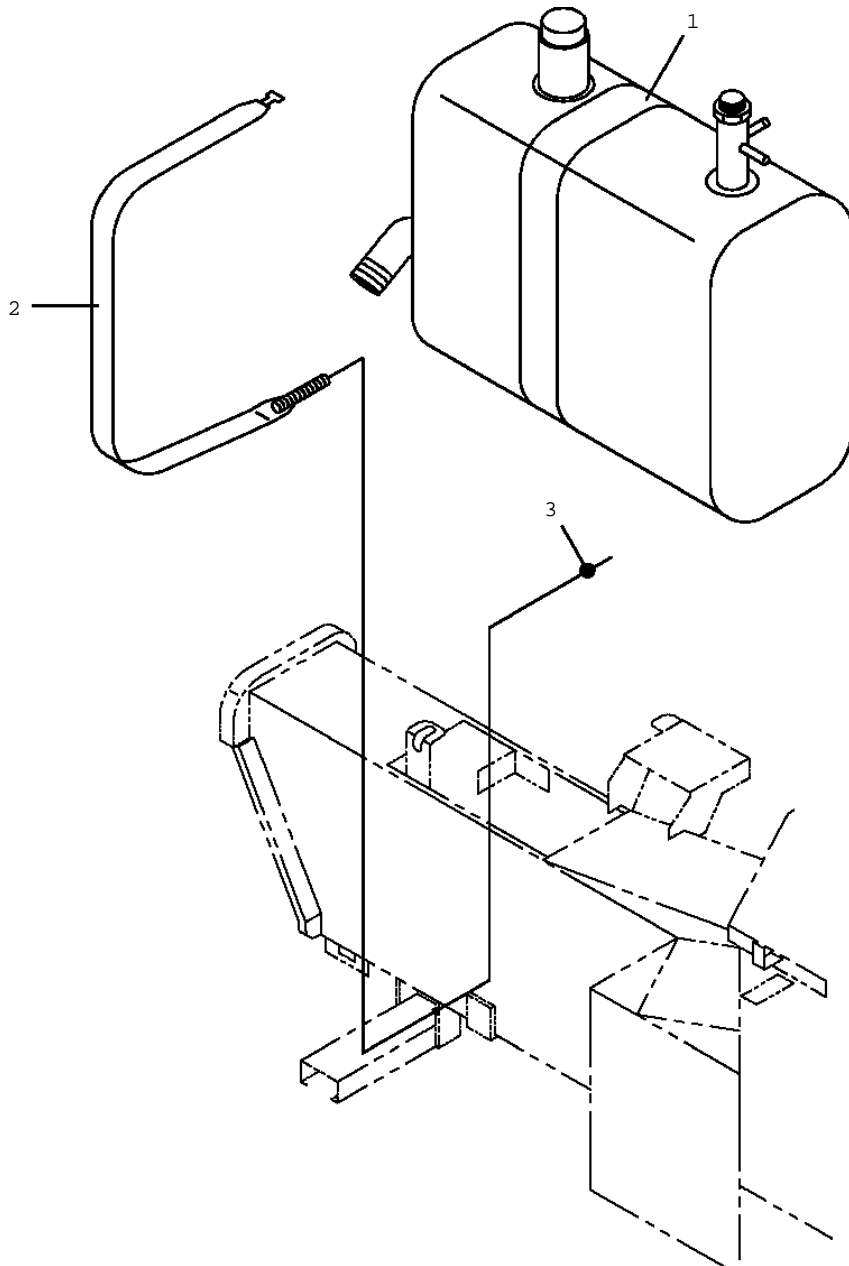
- : FACING KIT KEY NO 101 (JAPANESE)
- : FACING KIT KEY NO.102 (ENGLISH)

- Protective seal
- Replacement interval name plate

TM-ZF360 41102210360A FRAME/STD,REMOTE-RADIO CONT.,HOOK-IN

Pos No.	Parts No	Parts Name	Qty	Unit	Technical Data	Serial No (Start)
2	36073085020	COVER	1			
3	36073815010	GEAR,SPUR	1			
6	36073085061	BRAKE,DISK	1			
7	36073085072	WHEEL,RATCHET	1			
8	36073085080	RING (C)	1			
10	36073085090	RATCHET	1			
11	36073085100	SHAFT	1			
12	36073085111	SPRING	1			
13	36073085120	CAP	1			
14	36073085130	PIN	1			
15	36073085140	NUT	1			
16	80500006202	BEARING,BALL	1			
17	80500006212	BEARING,BALL	1			
	80500006211	BEARING,BALL	1			KA8799
18	80500006305	BEARING,BALL	1			
19	80500006007	BEARING,BALL	1			
20	36073085150	SEAL,OIL	1			
21	80602110620	RING,RITAINING	1		R62	
22	36071195200	O-RING	1			
23	91001101500	O-RING	1		1A P15	
24	80136340040	PIN,SPLIT	1		4X40	
25	36073085160	KEY	2			
26	36073085180	BOLT (WITH SW)	6			
27	36073085200	PLUG	1			
28	36073085170	GAUGE,OIL	1			
29	80172304015	SCREW,MACHINE	1		M4X15	
30	90302040401	WASHER,SPRING	1		4	
51	36073085602	GEAR ASSY	1			
	36073085603	GEAR ASSY	1			KA8799
100	36073810000	WINCH ASSY (Y.G.TEC)	1			
101	36070441000	FACING KIT(JAPANESE)	1			
102	36070442000	FACING KIT (ENGLISH)	1			

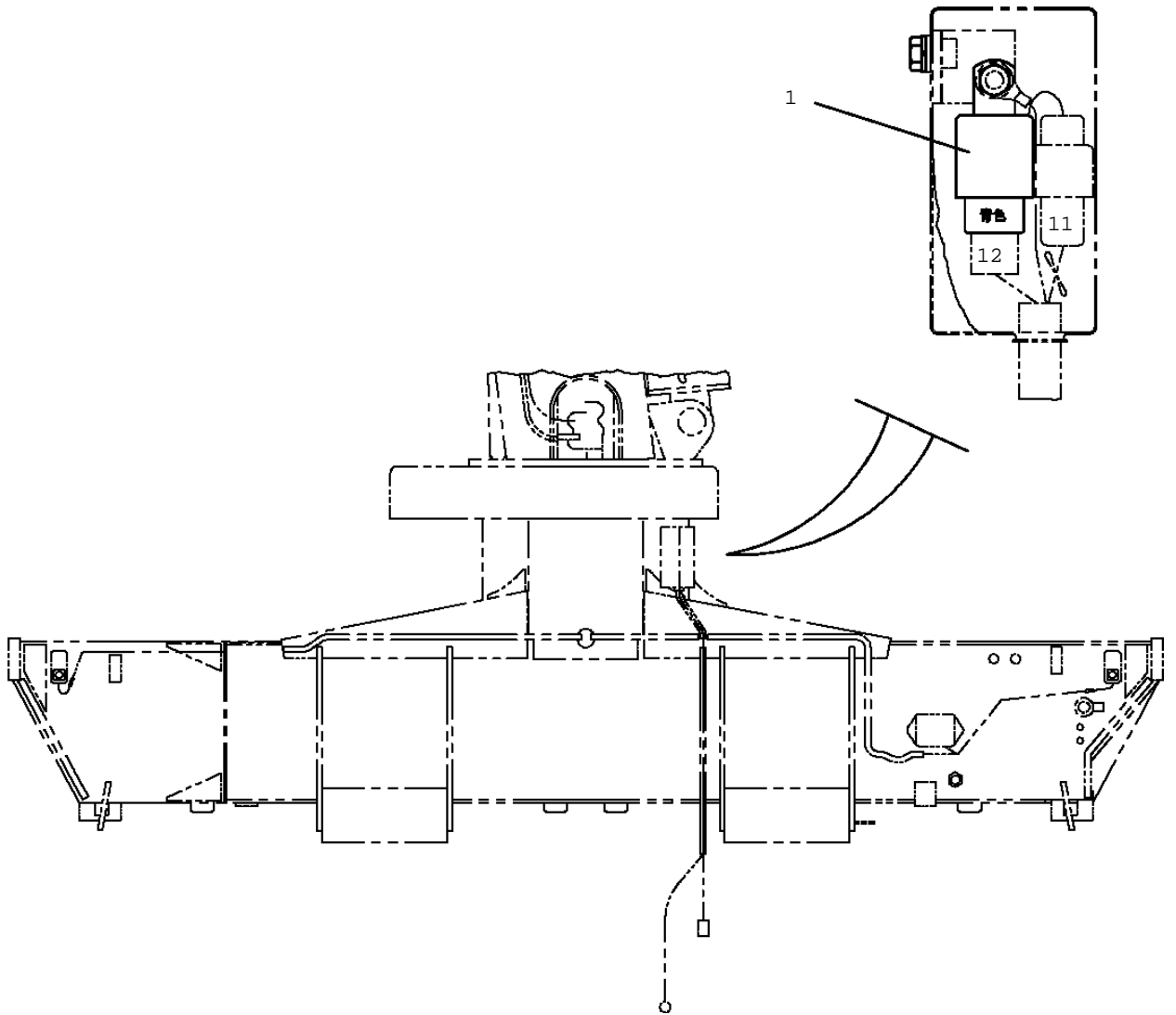
TM-ZF360 41102210360A FRAME/STD,REMOTE-RADIO CONT.,HOOK-IN
PX1100210-00 TANK SUPPORT INSTALLATION



TM-ZF360 41102210360A FRAME/STD,REMOTE-RADIO CONT.,HOOK-IN

Pos No.	Parts No	Parts Name	Qty	Unit	Technical Data	Serial No (Start)	Serial No
1	36102250000	TANK,OIL	1				
2	31660450100	BAND	1				
3	90201201000	NUT	2		M10		

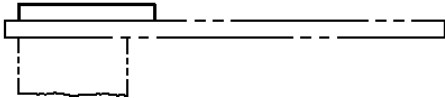
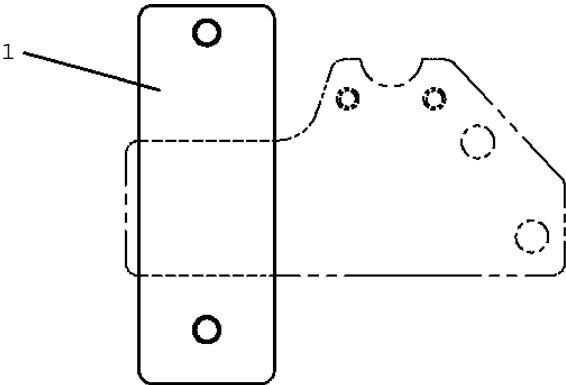
TM-ZF360 41102210360A FRAME/STD,REMOTE-RADIO CONT.,HOOK-IN
PX1940003-00 MOUNT (REPLACE RERAY,24--12V)



TM-ZF360 41102210360A FRAME/STD,REMOTE-RADIO CONT.,HOOK-IN

Pos No.	Parts No	Parts Name	Qty	Unit	Technical Data	Serial No (Start)	Serial No
1	82161201020	RELAY	1				

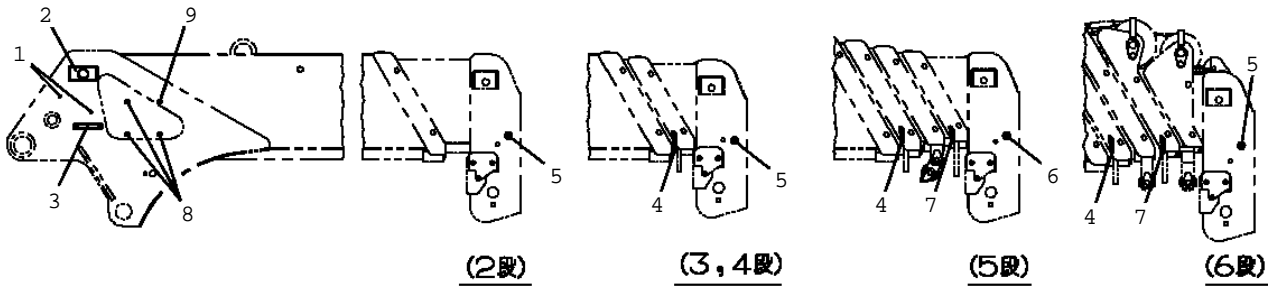
TM-ZF360 41102210360A FRAME/STD,REMOTE-RADIO CONT.,HOOK-IN
PX1940004-00 MOUNT



TM-ZF360 41102210360A FRAME/STD,REMOTE-RADIO CONT.,HOOK-IN

Pos No.	Parts No	Parts Name	Qty	Unit	Technical Data	Serial No (Start)	Serial No
1	31476086100	SUPPORT	1				

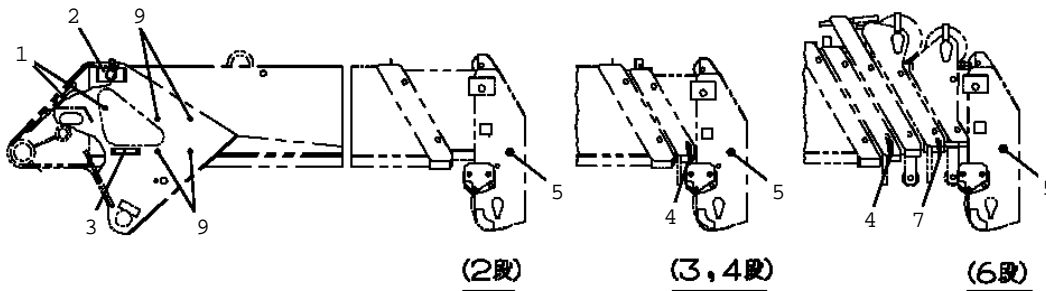
TM-ZF360 41102210360A FRAME/STD,REMOTE-RADIO CONT.,HOOK-IN
PX1940184-01 MOUNT (BOOM)



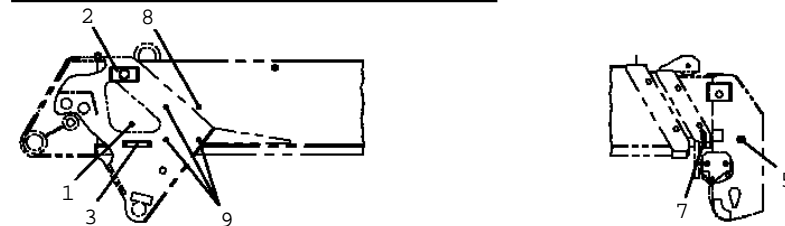
ZR230, 230W, 263Jの場合

ZR505, 555の場合

ZRの場合

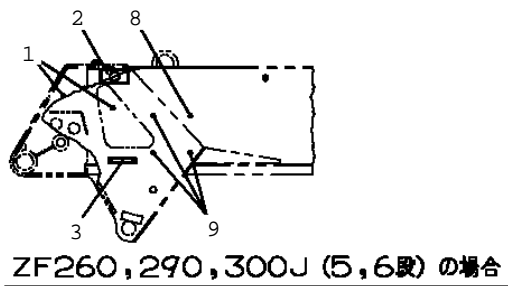


ZF300, 360, 500 (2~6段) の場合



ZF230, 260, 290,
300J (2~4段), 263Jの場合

ZF263, 293, 303Jの場合



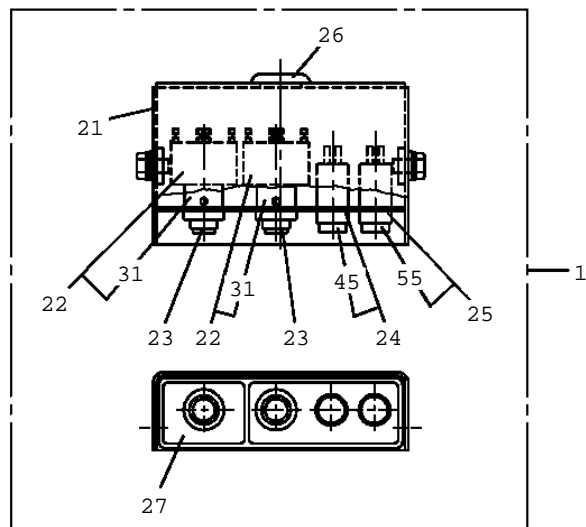
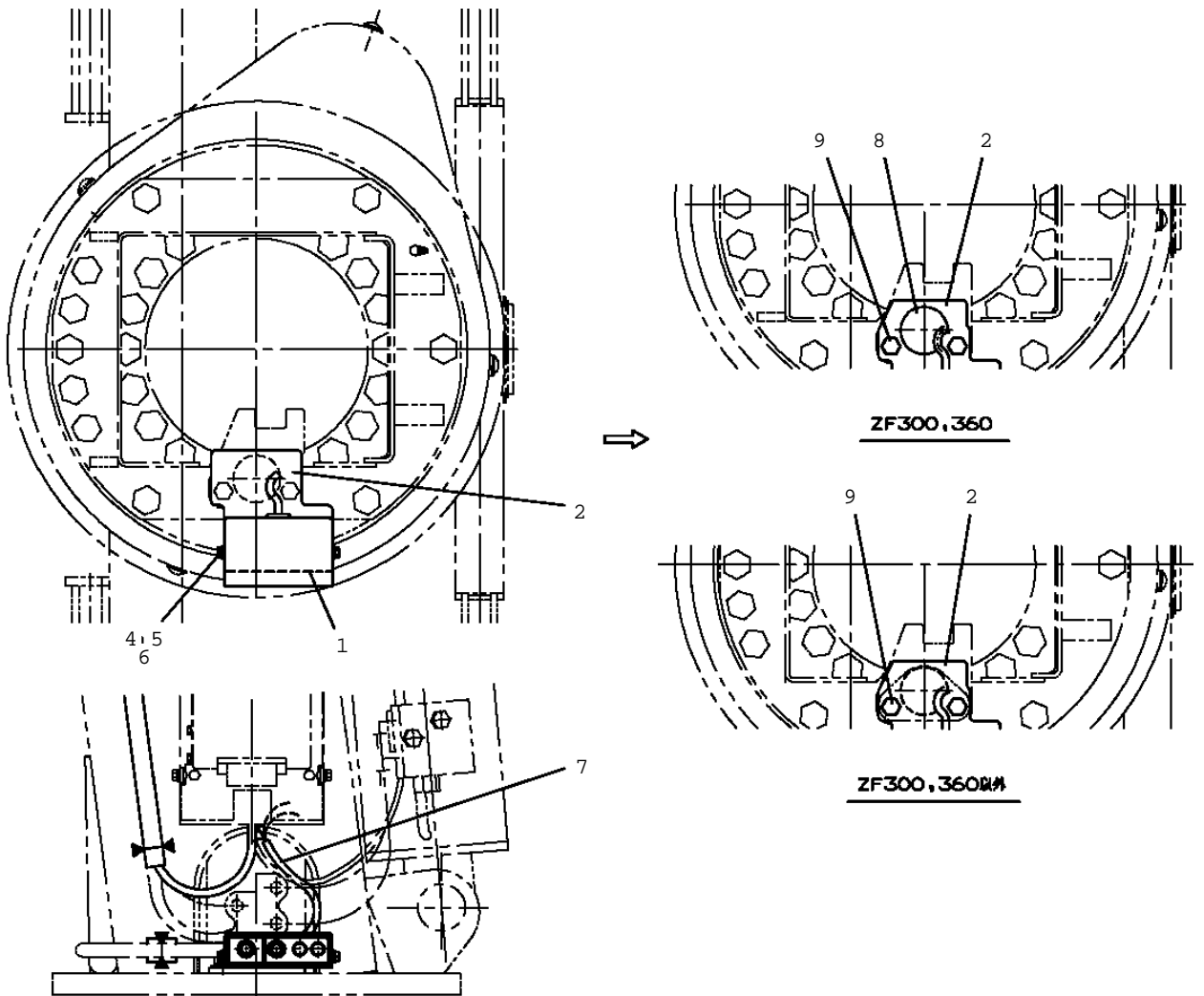
ZF260, 290, 300J (5,6段) の場合

ZFの場合

TM-ZF360 41102210360A FRAME/STD,REMOTE-RADIO CONT.,HOOK-IN

Pos No.	Parts No	Parts Name	Qty	Unit	Technical Data	Serial No (Start)	Serial No
1	90190000008	BOLT,STUD	2		M6X20		
2	31360202500	SUPPORT	2				
3	31360742500	SUPPORT	1				
4	31360192900	SUPPORT	1		L=55		
5	37001601290	NUT	1		M12		
6	31360742700	NUT	1		M12		
7	31360003020	SUPPORT	1		L=63		
8	37001601010	NUT	3				
9	90288106030	NUT	3		M6X30		

TM-ZF360 41102210360A FRAME/STD,REMOTE-RADIO CONT.,HOOK-IN
 PY1250015-01 SWITCH INSTALLATION (BML)



TM-ZF360 41102210360A FRAME/STD,REMOTE-RADIO CONT.,HOOK-IN

Pos No.	Parts No	Parts Name	Qty	Unit	Technical Data	Serial No (Star
1	31360205601	SWITCH ASSY	1			
2	31360205801	SUPPORT	1			
4	90101206010	BOLT	2		M6X1.0	
5	90302040601	WASHER,SPRING	2		6	
6	90303070601	WASHER,PLAIN	2		6	
7	31360205902	HARNESS	1			
21	31360205702	SUPPORT	1			
22	31473744150	SWITCH ASSY	2			
23	82197600101	CAP (BLACK)	2			
24	42433333400	LAMP ASSY (GREEN) <24V)	1			
25	42433333300	LAMP ASSY (RED)<24V)	1			
26	82400000076	GROMMET	1			
27	31360205611	PLATE,NAME	1			
31	82101419002	SWITCH,PUSH	2			
45	82100002463	LAMP,PILOT (GREEN)	1			
55	82100002462	LAMP,PILOT (RED)	1			

TM-ZF360 41102210360A FRAME/STD,REMOTE-RADIO CONT.,HOOK-IN
PY1560022-01 ALARM SYSTEM

指示番号 KEY NO.	アラーム システム (キフク&アウトリカ [*] カクノウワスレ) ALARM SYSTEM
1	ハイセンASSY (クレーンホンタイプ [*]) ELEC.ASSY (CRANE)
2	ハイセンASSY (カソウシヤリヨウブ [*]) ELEC.ASSY (CARRIER)
4	プレート ASSY,ネーム PLATE ASSY,NAME

TM-ZF360 41102210360A FRAME/STD,REMOTE-RADIO CONT.,HOOK-IN

Pos No.	Parts No	Parts Name	Qty	Unit	Technical Data	Serial No (St
1	(*****)	ELEC.ASSY (ALARM,UPPER)	1			
2	(*****)	ELEC.ASSY (ALARM,LOWER)	1			
4	(*****)	PLATE ASSY,NAME	1			

TM-ZF360 41102210360A FRAME/STD,REMOTE-RADIO CONT.,HOOK-IN
PY1560023-01 ALARM SYSTEM

指示番号 KEY NO.	アラーム システム (キフク&O/Rカクノウラスレ:ハ ^o -キング ^o SWレント ^o ウ)
1	ハイセンASSY (クレーンホンタイプ) ELEC.ASSY (CRANE)
2	ハイセンASSY (カソウシャリヨウフ) ELEC.ASSY (CARRIER)
5	プレート ASSY,ネーム PLATE ASSY,NAME

TM-ZF360 41102210360A FRAME/STD,REMOTE-RADIO CONT.,HOOK-IN

Pos No.	Parts No	Parts Name	Qty	Unit	Technical Data	Serial No (St
1	(*****)	ELEC.ASSY (ALARM,UPPER)	1			
2	(*****)	ELEC.ASSY	1			
5	(*****)	PLATE ASSY,NAME	1			

TM-ZF360 41102210360A FRAME/STD,REMOTE-RADIO CONT.,HOOK-IN
PY1560024-01 ALARM SYSTEM

指示番号 KEY NO.	アラーム システム (カクノウスレオンセイ) ALARM SYSTEM
1	ハイセンASSY (クレーンホンタイプ) ELEC.ASSY (CRANE)
2	ハイセンASSY (カソウシヤリヨウブ) ELEC.ASSY (CARRIER)

TM-ZF360 41102210360A FRAME/STD,REMOTE-RADIO CONT.,HOOK-IN

Pos No.	Parts No	Parts Name	Qty	Unit	Technical Data	Serial No (St
1	(*****)	ELEC.ASSY (ALARM,UPPER)	1			
2	(*****)	ELEC.ASSY (CARRIER)	1			

TM-ZF360 41102210360A FRAME/STD,REMOTE-RADIO CONT.,HOOK-IN
PY1560025-01 ALARM SYSTEM

指示番号 KEY NO.	アラーム システム (キフクカクノウウスレオンセイ) ALARM SYSTEM
1	ハイセンASSY (クレーンホンタイプ) ELEC.ASSY (CRANE)
2	ハイセンASSY (カソウシヤリヨウブ) ELEC.ASSY (CARRIER)
4	プレート ASSY,ネーム PLATE ASSY,NAME

TM-ZF360 41102210360A FRAME/STD,REMOTE-RADIO CONT.,HOOK-IN

Pos No.	Parts No	Parts Name	Qty	Unit	Technica
1	(*****)	ELEC.ASSY (ALARM,UPPER)	1		
2	(*****)	ELEC.ASSY (CARRIER)	1		
4	(*****)	PLATE ASSY,NAME (BOOM,ELEV. STOWING FAILURE)	1		

TM-ZF360 41102210360A FRAME/STD,REMOTE-RADIO CONT.,HOOK-IN
PY1560026-01 ALARM SYSTEM

指示番号 KEY NO.	アラーム システム (キフクカクノウスレ) ALARM SYSTEM
1	ハイセンASSY (クレーンホンタイプ) ELEC.ASSY (CRANE)
2	ハイセンASSY (カソウシャリヨウブ) ELEC.ASSY (CARRIER)
4	プレート ASSY,ネーム PLATE ASSY,NAME

TM-ZF360 41102210360A FRAME/STD,REMOTE-RADIO CONT.,HOOK-IN

Pos No.	Parts No	Parts Name	Qty	Unit	Technica
1	(*****)	ELEC.ASSY (ALARM,UPPER)	1		
2	(*****)	ELEC.ASSY (ALARM,LOWER)	1		
4	(*****)	PLATE ASSY,NAME (BOOM,ELEV. STOWING FAILURE)	1		

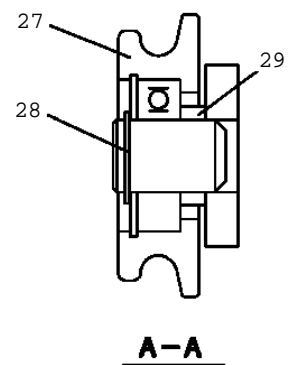
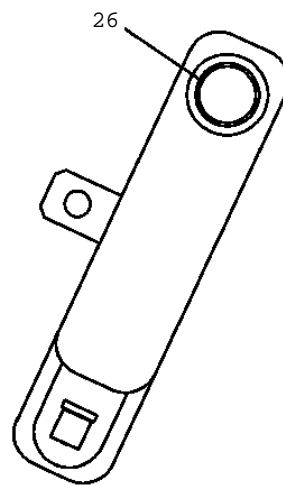
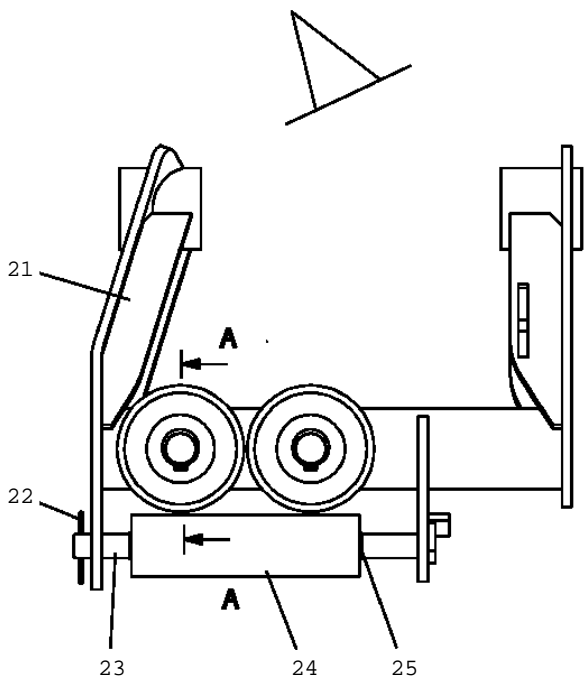
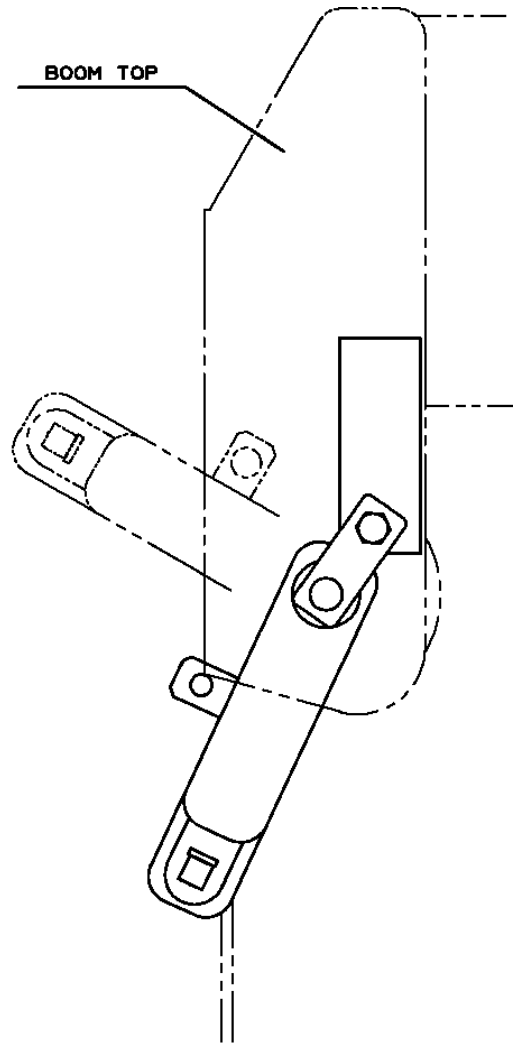
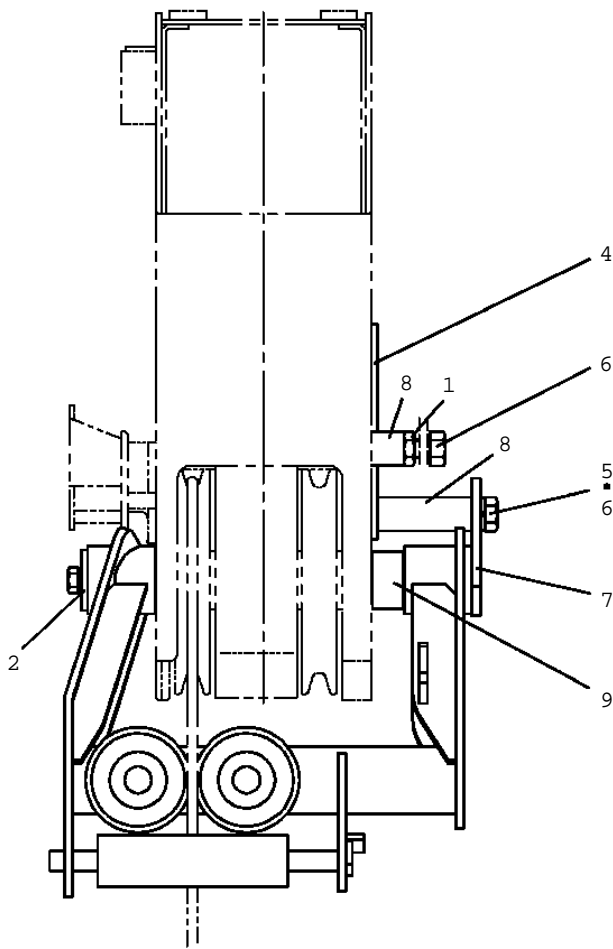
TM-ZF360 41102210360A FRAME/STD,REMOTE-RADIO CONT.,HOOK-IN
PY1560027-01 ALARM SYSTEM

指示番号 KEY NO.	アラーム システム (キフクカクノウラスレ:SWツキPTOケーブル ルタイオウ) ALARM SYSTEM
1	ハイセンASSY (クレーンホンタイプ) ELEC.ASSY (CRANE)
2	ハイセンASSY (カソウシャリヨウフ) ELEC.ASSY (CARRIER)
4	プレート ASSY,ネーム PLATE ASSY,NAME

TM-ZF360 41102210360A FRAME/STD,REMOTE-RADIO CONT.,HOOK-IN

Pos No.	Parts No	Parts Name	Qty	Unit	Technica
1	(*****)	ELEC.ASSY (ALARM,UPPER)	1		
2	(*****)	ELEC.ASSY (LOWAR)	1		
4	(*****)	PLATE ASSY,NAME (BOOM,ELEV. STOWING FAILURE)	1		

TM-ZF360 41102210360A FRAME/STD,REMOTE-RADIO CONT.,HOOK-IN
PY2060002-00 ROPE,GUIDE (OPTION)



TM-ZF360 41102210360A FRAME/STD,REMOTE-RADIO CONT.,HOOK-IN

Pos No.	Parts No	Parts Name	Qty	Unit	Technical Data	Serial No (Start)	Serial No (End)
1	90203201400	NUT	1		M14		
2	31200030530	PLATE	1				
4	37000532240	PLATE	1				
5	90302041401	WASHER,SPRING	1		14		
6	90101514030	BOLT	2		M14X30		
7	31471731600	PIN	1				
8	31440231300	SUPPORT	1				
9	37000304270	SPACER	1		L=71		
21	31440231200	GUIDE	1				
22	80620210160	PIN,SNAP	1				
23	31471731200	PIN	1				
24	37001102960	ROLLER ASSY	1				
25	80601110150	RING,RITAINING	2		15		
26	80804035050	BUSH	2				
27	31471731500	SHEAVE ASSY	2				
28	80601110200	RING,RITAINING	2		S20		
29	37000300240	SPACER	2		L=7		

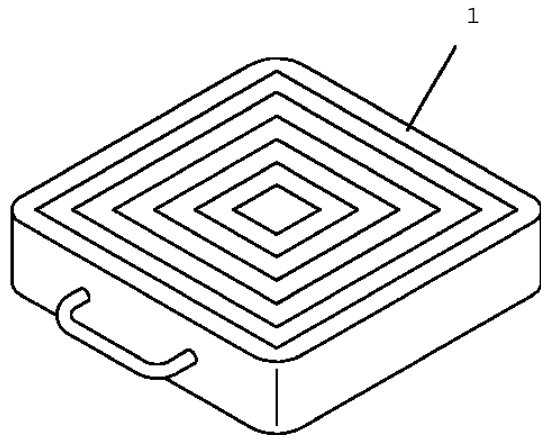
TM-ZF360 41102210360A FRAME/STD,REMOTE-RADIO CONT.,HOOK-IN
PY2060004-00 ROPE,GUIDE

1	ロープ , ガイド ROPE, GUIDE
2	フック HOOK
3	ディテクタ , オーバークラウド DETECTOR, OVERWIND

TM-ZF360 41102210360A FRAME/STD,REMOTE-RADIO CONT.,HOOK-IN

Pos No.	Parts No	Parts Name	Qty	Unit	Technical Data	Serial
1	(*****)	ROPE,GUIDE (OPTION)	1			
2	(*****)	HOOK	1			
3	(*****)	DETECTOR,OVER WINDING (OPTION)	1			

TM-ZF360 41102210360A FRAME/STD,REMOTE-RADIO CONT.,HOOK-IN
PY2340011-00 PLATE (355X355,H=80)



TM-ZF360 41102210360A FRAME/STD,REMOTE-RADIO CONT.,HOOK-IN

Pos No.	Parts No	Parts Name	Qty	Unit	Technical Data	Serial No (Start)	Serial No
1	42474201000	BLOCK	1		355X355,H=80		